

oursson 

bon appétit

be ^{!!!}
HAPPY ^{!!!}
♡ Simple
Pleasure

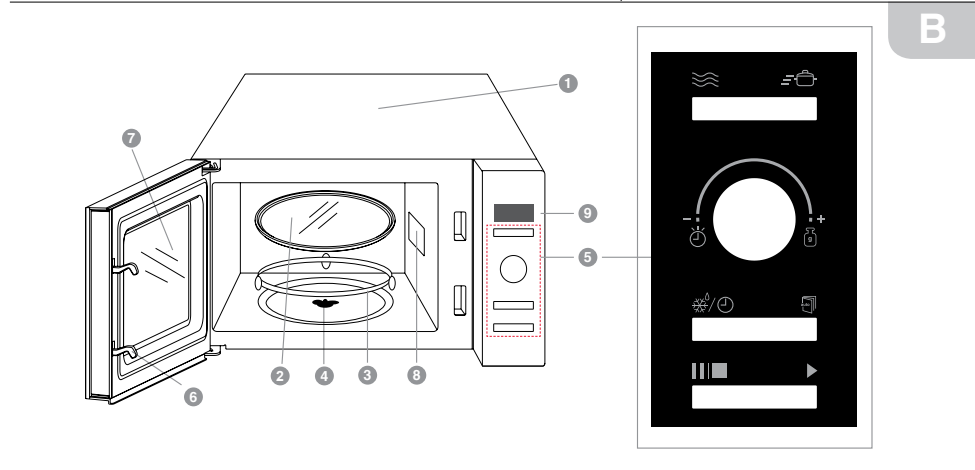
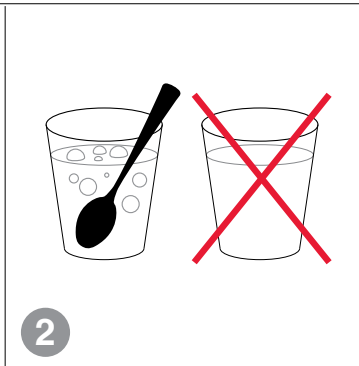
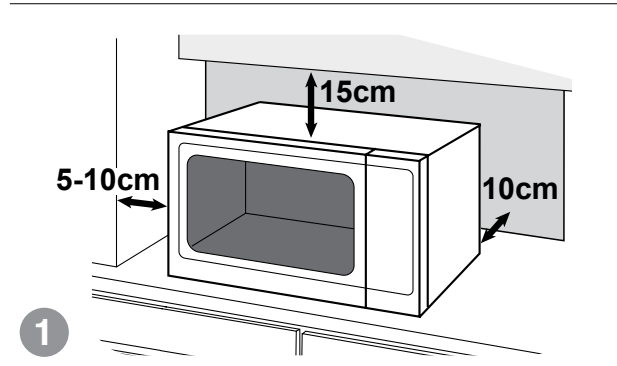
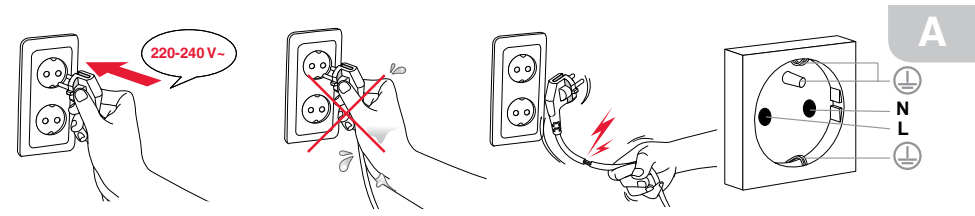


MD2033

EN Instruction manual

KZ Нұсқаулық

RU Руководство по
эксплуатации



	✓	✗	✓
	✗	✗	✓

A

B

C

SAFETY INSTRUCTIONS, Fig. A



Danger symbol

A reminder to user about high voltage.



Warning symbol

A reminder to user about the necessity of operating exactly according to the instructions.

When using electrical appliances should take the following precautions:

- Use the device according to the following instructions manual.
- Install the device on a stable surface.
- Use only the tools, which are included in the product set.



To protect against risk of electrical shock do not put the cord in water or other liquid. If for some reason the water got into the unit, contact an authorized service center (ASC).

- For power supply, use a power grid with proper characteristics.
- Do not use the device in areas where the air can contain vapors of flammable substances.



Never attempt to open the device by yourself – it could possibly be the reason of an electrical shock can lead to product malfunction and will invalidate the manufacturer's warranty. For repair and maintenance, contact only authorized service centers meant for repair of products under the trademark OURSSON.

- When moved from a cool to a warm place and vice versa unpack it before use and wait 1-2 hours without turning it on.



In order to prevent electrical shock do not immerse the entire product or the wires into the water.

- Be particularly careful and cautious when using the device near children.



Do not touch any hot parts, as this may cause injury.

- The power cord is specially made relatively short in order to avoid the risk of injury.

Do not allow the cord to hang over the sharp edge of the table or touch hot surfaces.

- Do not connect this device to a grid which is overloaded with other appliances: it can lead to the fact that the device will not function properly.

Do not install the device near gas and electric stoves and ovens.

- After use, make sure to disconnect the device from the power grid.

Keep the device from bumps, falls, vibration and other mechanical influences.

- Make sure to disconnect the device from the power grid before cleaning or changing accessories.

Do not use the device outdoors.

- This appliance is not intended for use by persons (including children) with reduced physical, sensory or mental capabilities, or lack of experience and knowledge. They can only use the device under the supervision of the person responsible for their safety, or after instruction on the safe use of the device. Do not allow children to play with the product.

This product is intended only for use in the home.

- If the power cord is damaged, it must be replaced by a specialist from the authorized service center (ASC)

EN



Risk of burn symbol

Reminder for user of high temperatures

to avoid danger.

- Use only the tools, which are included in the product set.
- When cleaning the appliance do not use abrasives and organic cleaners (alcohol, gasoline, etc.). When cleaning the device it is allowed to use a small amount of neutral detergent.

DANGER OF EXPOSURE TO MICROWAVE ENERGY

- Do not try to use microwave oven with opened door, it can lead to dangerous exposure to microwave energy. It is very important not to disrupt or interfere with the safety interlocks the door.
- Do not place any object between the door and surface of the inner chamber of the microwave, do not allow dirt and remains of the detergents to accumulate on the surfaces of the microwave oven.
- If you don't keep the microwave clean, the state of its surface may deteriorate and affect the life of the microwave oven or lead to dangerous situations. Microwave energy output may occur. Clean the microwave timely and immediately remove all food remains. Always keep the working chamber clean, door seals, door and door opening limiter. Drops of fat must not get on the mica plate.



Do not open the body of the device. The oven operates under high voltage.



If the door or door seals are damaged, microwave must not be used, until the specialist from service center resolves the problem.



All repairs and maintenance of the device, associated with the removal of covers, that provide protection from microwave exposure, must be made by a qualified specialist.

- The bulb inside the oven can only be replaced by a specialist.

FIRE HAZARD

- Microwave is intended only for food and drinks heating. Drying food or cloths, heating warmers, slippers, sponges, damp cloth and other similar objects may cause a fire.
- Remove metal objects (wire, foil, etc.) from paper or plastic containers before using them in the microwave.
- If smoke comes out from the microwave, unplug the device and do not open the microwave door, to avoid fire spreading.



When heating food in paper or plastic containers, watch the microwave, fire may occur.

BURN HAZARD

- It isn't allowed to prepare eggs in whole shells, they may blow up even after the device stops working.
- Drinks that are heated in the microwave may boil, be careful when removing containers from the microwave.
- Use potholders when taking dishes out of the oven.
- **After heating baby bottles or baby food, you must shake them and check the temperature before giving them to babies.**



- The microwave surfaces are heating up when the device is working. The temperature of the surfaces may be high.



Liquids and other products mustn't be heated in closed containers to avoid explosion!

RECOMMENDATIONS

- Please read the instruction manual before using the device. Keep the manual after reading for further use.
- All illustrations in this manual are schematic representations of real objects, which may differ from the actual images.



The device is equipped with a safety lock. If the door of the device isn't locked properly, you won't be able to turn on the device.



The operation of this device in any case does not imply application of any force to it, as this may damage the product due to user fault.

PRODUCT SET, Pic. B

- ① Microwave oven 1 pc.
- ② Glass turntable, 245 mm 1 pc.
- ③ Roller ring 1 pc.
- Instructions manual 1 pc.
- Warranty card 1 pc.

ELEMENTS OF DESIGN, Pic. B

- ① Body of the device
- ④ Holder
- ⑤ Control panel
- ⑥ Latch (door locking mechanism)
- ⑦ Door with a viewing window
- ⑧ Radiation source
- ⑨ LED-display

INSTALLATION, Pic. A-1

- When installing the microwave chose a flat surface, which provides enough space for microwave ventilation and door opening of the microwave.
- Minimal space between side and rear panels of the microwave and walls must be at least 10 cm.
- Distance above the upper panel of the microwave must be at least 15-20 cm.
- Do not remove legs from the lower panel of the mi-

crowave.

- **Do not remove the gray mica plate from the inner chamber of the microwave it protects the magnetron.**
- Blocking the microwave ventilation may damage the device.
- Install the microwave as far away from radios and televisions as possible. Microwave can affect their performance.
- Plug in the microwave into a grounded socket, Pic. A.
- Open the door and install the roller ring and a turntable plate, combining the clamp on the turntable with a holder in the center of the microwave. **Check if the turntable is installed tight: it shouldn't be turning freely.** Close the door.
- **Your microwave is ready for work and is in stand-by mode.**

UTILIZATION

Control panel, Pic. B-5



Microwave power setting button



Button for selecting the defrost mode; setting hours/minutes



The express-cooking button



Automatic program selection button



Multifunctional rotary switch



TIME/WEIGHT



STOP button; cancel the program; lock the control panel



START/QUICK START button

Before first use, wipe the body ①, inner surface and roller ring ③ with a clean dry cloth. Wash the glass turntable ② in **warm water** with dishwashing detergent.

MATERIALS THAT ARE ALLOWED TO BE USED IN MICROWAVE

For cooking or heating in the microwave, use only cookware that is suitable for this. Dishes that are designed for use in microwaves have a special symbol on them. If you have doubts about cookware that can be used in microwaves, ask the manufacturer of the dishes, or perform the next test:

1. Place into the microwave one container that is suitable for microwaves and fill it with one 250ml cup of water, and place an empty test container.
2. Turn on the microwave on a maximum temperature for 1 minute.
3. After it stops, check the empty container, if it is hot, it **isn't suitable for microwaves.**

Aluminum foil	Just as protection. Can be used for coating thin slices of meat or poultry to avoid sticking. Arcing can occur if the foil is too close to the inner walls of the oven. The foil should be positioned at least 2.5 cm from the walls.
Pottery	Follow the instructions of the manufacturer. Do not use dishes that contain decorative metal trims, splits and cracks.
Tableware	Follow the instructions of the manufacturer. Do not use dishes that contain decorative metal trims, splits and cracks.
Glass jars	Always remove the lid. Use only for heating food. Many glass jars are not made of heat-resisting glass and may burst.
Glassware	Ware made of a heat-resistant glass. Make sure there are no metal trims. Do not use ware with splits and cracks.
Oven bags	Follow the instructions of the manufacturer. Do not use metal wire. Make holes for steam.
Paper plates and cups	Use only for heating food. Don't leave the device unattended when cooking.
Paper towels	Use only for heating food, to prevent splattering or as a package for steaming. Don't leave the device unattended when cooking.
Parchment	Use only for heating food, to prevent splattering or as a package for steaming.
Plastic ware	Follow the instructions of the manufacturer. Ware that is designed for use in microwaves has a special symbol on them. Some plastic containers get soften when used in microwaves. Bags for steaming and tightly closed plastic bags should be pre-pierced for the steam.
Plastic packaging	Plastic packaging may be used to wrap food and prevent moisture from coming out when heated. Do not allow plastic packaging to come in contact with food.
Thermometers	Follow the instructions of the manufacturer. Use special thermometers for measuring temperature of meat, poultry and fish.
Wax paper	Use only for heating food, to prevent splattering and keeping moisture in food. Wrap loosely, leaving holes for steam.

MATERIALS THAT ARE NOT ALLOWED TO BE USED IN MICROWAVE

Aluminum pans	Can cause arcing. Put the food in a bowl that is safe for use in microwave ovens.
Food cardboard with metal handles	
Metal plates	
Paper bags	May catch fire.
Metal wires	Arcing can occur that may cause a fire in the microwave.
Soap	Can melt and cause contamination of the microwave.
Wood	Dries when used in microwave, can crack.

ORDER OF OPERATION

Setting the clock:

1. Plug in the microwave, display will show «01:00» and you will hear a sound signal.
2. Press and hold button for 3 seconds. First two numbers will flash on the display.
3. Turn the switch TIME/WEIGHT left and right to set the current time.
4. Press button. Minute numbers will flash on the display. With the help of the switch set the minutes.
5. Press button again or wait for 60 second for the time setting to complete. « : » indication will flash and set time will be displayed.

Preparing in the «microwave» mode:

1. Press button several times to select the power level. Display will show a predetermined microwaves

power level 100% - «100P», 80% - «80P», 60% - «60P», 40% - «40P», 20% - «20P».

2. Turn the switch TIME/WEIGHT, to set the cooking time. Maximum time – 60 min.
3. Press button to start cooking.

Express-cooking:

1. For a quick heat up of a drink or any other product press button required number of times. First press sets timer to 30 sec (max. power, other settings are unavailable), second press – 1 min, third press – 1 min 30 sec, fourth – back to 30 sec.
2. Press button to start cooking.

Quick Start:

In standby mode, press button required number of times. The oven will work in the «Microwave» mode with max. power level 100%. First press sets the timer to 60 sec, every other press of the button adds 10 sec. It is convenient for a quick heating up of the dishes.

Defrost by weight:

1. Press button required number of times, depending on the type of defrosting product. One press – meat - «d.1», poultry - «d.2», seafood - «d.3».
2. Turn the multifunctional switch TIME/WEIGHT left or right to select the weight of defrosting product. For meat - from 0,1 to 2 kg, for poultry – from 0,2 to 3 kg, for seafood - from 0,1 to 0,9 kg. It is recommended not to exceed the specified parameters.

3. Press button to start cooking.

NOTE: After half of set time passes, a beep will sound. To achieve a more effective defrosting it is necessary to flip the products, close the door and press the button again to continue defrosting.

Automatic cooking programs:

1. In standby mode press button required number of times to select the program. Automatic programs indication will be displayed from «A-1» to «A-8».
2. Turn the switch TIME/WEIGHT left or right to select the weight/quantity of the product.

Display indication	Product type
A-1	Popcorn
A-2	A bowl of soup or reheating of the product
A-3	Drink
A-4	Pizza
A-5	Potato
A-6	Vegetables
A-7	Meat
A-8	Fish

3. Press button to start cooking.

NOTE: The result of automatic cooking programs depends on such factors as voltage fluctuations, the shape and size of foods, personal taste preferences. If the result of automatic cooking programs does not fully meet the expectations, it is recommended to use standard microwave cooking methods.

Timer function (delayed start):

1. Set the current time as mentioned above.
2. Press button required number of times to select power.
3. Turn the multifunctional switch TIME/WEIGHT to set the cooking time.
4. Press and hold button for 3 seconds to display the current time.
5. Set the delayed start time similarly to the current time setting.
6. Press button to confirm the delayed start mode.

Parent control:

1. In standby mode press and hold button for 3 seconds. A long beep will sound and the microwave will enter into the lock mode.
2. To unlock it, press and hold button for 3 seconds. A long beep will sound. Control panel will unlock.

NOTE: Only control panel is locked in the lock mode.



Never use microwave device without the turntable.



Operation of the device without dishes will lead to overload. Turning on the microwave mode with an empty dish is prohibited. The exception is a short-term test of the dishes suitability.

MICROWAVE POWER LEVEL MATCHING THE DESIGNATIONS ON THE CONTROL PANEL

Power level type	Designation on the control panel	Microwave power in %	Usage
Maximum	100 P	100%	<ul style="list-style-type: none"> • Water boiling • Cooking mince • Cooking vegetable and poultry • Cooking small pieces of tender meat
High	80 P	80%	<ul style="list-style-type: none"> • Cooking big pieces of meat and a whole chicken. • Cooking mushrooms and seafood. • Cooking dishes that contain eggs and cheese.
Middle	60 P	60%	<ul style="list-style-type: none"> • Stewing poultry. • Cooking fish. • Cooking egg dishes. • Preparing custard. • Cooking soup and different cereals.

Power level type	Designation on the control panel	Microwave power in %	Usage
Low	40 P	40%	<ul style="list-style-type: none"> Defrosting different products. Melting chocolate and butter. Stewing tough meat.
Minimal	20 P	20%	<ul style="list-style-type: none"> Softening cheese. Softening ice cream.



Popcorn in the microwave: Never set a too high temperature, max - 700 W. Popcorn bag must be placed on the glass turntable. Due to an overload the glass may crack.



When heating up liquid always place a spoon in it. Thanks to this, the boiling will start faster, Pic. A-2

POSSIBLE PROBLEMS AND SOLUTIONS

Possible problems	Solutions
Microwave isn't working	<ul style="list-style-type: none"> The door isn't well closed. The power cord ill plugged. No voltage in the socket. Mode is improperly set.
Condensation on the grill grate and walls of the microwave.	<ul style="list-style-type: none"> When cooking food that contains water, steam is formed, which partly comes out the microwave and partly settles as a condensate on the grill grate and walls of the microwave.
Spark inside the microwave.	<ul style="list-style-type: none"> When preparing in «Microwaves» mode, do not turn the microwave on without loading products first. Remove the packaging that contains metallic parts. Do not use dishes that contain decorative metal trims.
Products are not heated enough.	<ul style="list-style-type: none"> You have selected an incorrect microwave mode. Frozen products haven't been defrosted before cooking.
Products burn up.	<ul style="list-style-type: none"> You have selected an incorrect microwave mode.
Food heats unevenly.	<ul style="list-style-type: none"> When cooking, several times suspend the program and mix the food. Products that are cut same size heat more evenly. Do not rotate the glass turntable.

CLEANING AND MAINTENANCE



Before cleaning, unplug the microwave.

Clean the device inside and outside with a damp soft cloth and soft detergents. Then wipe it dry with a clean cloth.

Cleaning zone	Note
Front panel	Warm soapy water. Clean with soft cloth, and then wipe dry. Do not use scrapers.
Indentations on the bottom of the operational chamber	Damp cloth. Water mustn't get into the device through the turntable's drive.
Glass turntable and roller ring	Warm soapy water. Make sure the turntable is locked properly.
Glass door	Glass cleaner detergent. Clean with a soft cloth. Do not use scrapers.
Seal	Warm soapy water. Clean with soft cloth. Do not rub! Do not use scrapers.

TEST DISHES IN ACCORDANCE WITH EN 60705

Authorities check the quality and proper operation of the microwave oven with these dishes.

In accordance with EN 60705, IEC 60705 or DIN 44547, EN 60350 (2009)

Bringing to readiness and defrosting with microwaves

Microwave preparation		
Dish	Microwave Power (Watts) cooking time (min)	Notes
Omelet, 750 g.	360 W, 12-17 min + 90 W, 20-25 min	Place the Pyrex mold 20x25 cm on a rotating stand
Bisquit	600 W, 8-10 min	Place the Pyrex mold 22 cm on a rotating stand
Meatloaf	600 W, 20-25 min	Place the Pyrex mold on a rotating stand

Defrost with microwaves

Dish	Microwave Power (Watts) cooking time (min)	Notes
Meat	180 W, 807 min + 90 W, 10-15 min	Place the Pyrex mold 22 cm on a rotating stand

Defrost with microwaves

Dish	Microwave Power (Watts) cooking time (min)	Notes
Potato casserole	Grill + 360 W, 35-40 min	Place the Pyrex mold 22 cm on a rotating stand

Specifications

Model	MD2033
Power consumption, W	max 1150
Rated voltage	220-240 V~ ; 50 Hz
Magnetron frequency	2450 MHz
Microwaves power output, W	700
Inner chamber capacity, L	20
Glass turntable diameter, mm	245
Electric shock protection class	I
Storage and transportation temperature	-25°C to + 35°C
Operating temperature from	+5°C to +35°C
Humidity Requirements	15-75% without condensate
Dimensions (WxLxH), mm	451 x 344 x 258
Weight, kg	10,2

*Products should be stored in dry, ventilated warehouses at temperatures below - 25°C.

PRODUCT CERTIFICATION

For information on product certification, see <http://www.oursson.com> or ask seller for a copy.



Only a qualified specialist from service center must do the repair.

SERVICING

OURSSON expresses great appreciation to you for choosing our products. We have done everything possible so that this meets your needs, and the quality corresponds to the best world standards. If your OURSSON branded product will need maintenance, please contact one of the authorized service center (hereinafter - ASC). A complete list of ASC and their exact addresses can be found on the website www.oursson.com.

Warranty obligations:

- Warranty obligations, provided ASC, apply only to models designed for the production or supply and sale within the country where the warranty service is provided, purchased in this country, certified for compliance with the standards of this country, and also marked the with official marks of conformity.

- Warranty obligations operate within the law on protection of consumer rights and are regulated by the laws of the country in which they are provided, and only when the product is used exclusively for personal, family or household purposes. Warranty obligations shall not apply to uses of goods for business purposes or in connection with the acquisition of goods to meet the needs of enterprises, institutions and organizations.
- The manufacturer sets for its products the following terms of use and warranty periods:

Product name	Terms of use, months	Warranty Period, months
Microwave ovens breadmakers, induction hobs Multicookers, kitchen processors, electric kettles, electric grills, hand blenders, hand mixers, meat grinders, blenders, toasters, airpots, toasters, juicers, steamers, coffee makers, choppers, freezers, refrigerators, automatic coffee machines Kitchen scales	60	24

- Warranty obligations shall not apply to the following products, if their replacement is assumed and is not connected with disassembling products:
 - Batteries.
 - Cases, straps, cords for carrying, mounting accessories, tools, documentation that came with the product.
- Warranty does not cover defects caused due to violations of the rules of consumer use, storage or transportation of the goods, actions of third parties or force majeure, including but not limited to the following cases:
 - If the defect was a result of careless handling, used for other purposes, violations of conditions and rules of operation set forth in the instruction manual, including as a result of exposure to high or low temperatures, high humidity or dust, traces of opening the device independently and/ or self-repair, mismatch state standards for power grids, getting liquids, insects or other foreign objects, substances inside the device, as well as long-term use of the product in extreme operational modes.
 - If the defect of the product was a result of unauthorized attempts to test the product or make any changes in its construction or software programs, including repair or maintenance in unauthorized service centers.
 - If the defect of the product was a result of use of non-standard and/or low quality equipment, accessories, spare parts, batteries.
 - If the defect of the product is associated with its use in conjunction with additional equipment (accessories), other than additional equipment recommended for use with this product. The manufacturer is not responsible for the quality of the additional equipment (accessories) manufactured

by third parties, for the quality of its products together with such equipment, as well as the quality of the work of the additional equipment together with the products of other manufacturers.

- Product defects detected during the lifetime of the product are eliminated by the authorized service centers (ASC). During the warranty period, elimination of defects is free of charge with the presentation of the original certificate of guarantee and documents that confirm the fact and date of the contract of retail purchase. In the absence of such documents, warranty period is calculated from the date of manufacture of goods. It should be taken into account:
 - Setup and Installation (assembly, the connection, etc.) of the product described in the documentation attached to it, does not enter the scope of warranty and can be performed by the user as well as the specialists of most authorized service centers on a paid basis.
 - Work upon maintenance of products (cleaning and lubricating the moving parts, replacement of consumables and supplies, etc.) are made on a paid basis.
- The manufacturer is not responsible for any damage directly or indirectly caused by their products to people, pets, property, if it occurred as a result of non-observance of the rules and conditions of use, storage, transportation or installation of the product, intentional or negligent actions of consumer or third parties.
- Under no circumstances, the manufacturer is not responsible for any special, incidental, indirect or consequential loss or damage, including but not limited to: lost profits, damages caused by interruptions in the commercial, industrial or other activities, arising from the use of or inability to use the product.
- Due to continuous product improvement, design elements and some technical specifications are subject to change without prior notice from the manufacturer.

Using the product when after the terms of use (lifetime):

- Lifetime set by manufacturer for this product applies only when the product is used exclusively for personal, family or household needs, as well as the consumer observes the correct operation, storage and transportation of products. Under the condition of careful handling of the product and compliance with the rules of operation the actual life may exceed the lifetime set by manufacturer.
- At the end of the product lifetime, you should contact an authorized service center for to conduct a preventive maintenance of the product and determine the suitability for further use. Work on conducting a preventive maintenance of the products is also made in service centers on paid basis.
- The manufacturer does not recommend the use of this product after the end of its lifetime without its preventive maintenance by the authorized service center, since in this case, the product can be dangerous to the life, health or property of the consumer.

Product Recycling and Disposal

This appliance has been identified in accordance with the European directive 2002/96/EG on Waste Electrical and Electronic Equipment – WEEE.

After the expiration of the lifetime, the product cannot be

disposed with another household waste. Instead, it shall be deposited in the appropriate recycling collection point for electrical and electronic equipment for proper treatment and disposal in accordance with federal or local law. By disposing correctly this product, you will help to conserve natural resources and preventing the product from damaging the environment and human health. For more information on the collection point and recycling of this product, please contact your local municipal authorities or the enterprise for household waste disposal.



Date of manufacture

Each product has a unique serial number in the form of alphanumeric row and is duplicated with a barcode that contains the following information: name of the product group, date of manufacture, serial number of the product.



Serial number is located on the rear of the product, on the package and the warranty card.

- The first two letters – correspondence to the product group (microwaves – MM/MD).
- The first two digits – year of manufacture.
- The second two digits – month of manufacture.
- The last two digits – serial number of product.



If you have questions or problems with OURSSON products – please contact us by e-mail: support@oursson.com

This manual is under protection of international and EU copyright law. Any unauthorized use of the instructions, including copying, printing and distribution, but not limited to, involves the application of the guilty person to civil liability and criminal liability.

Contact information:

- Manufacturer of goods - «Zhongshan Donlim Weili Electrical Appliances Co.,LTD», No.1 Dong Wei Road, Fusha Industrial Park, Fusha Town, Zhongshan City, Guangdong, China.
- Certification information product available on the website www.oursson.com.

Made in China

To avoid misunderstandings, we highly recommend you to read carefully the instruction manual and the warranty obligations. Check the correctness of the warranty card. Warranty card is valid only if the following are correctly and clearly stated: model, serial number, date of purchase, clear stamps, buyer's signature. The serial number and the model of the device must be the same as in the warranty card. If these conditions are not fulfilled or the data specified in the warranty card was changed, the warranty card is invalid.



ИНСТРУКЦИЯ ПО БЕЗОПАСНОСТИ, Рис. А



Символ опасности

Напоминание пользователю о высоком напряжении.



Символ предупреждения

Напоминание пользователю о необходимости проведения всех действий в соответствии с инструкцией.

При использовании электрических приборов следует соблюдать следующие меры предосторожности:

- Используйте прибор согласно данному руководству по эксплуатации.
- Устанавливайте прибор на устойчивую поверхность.
- Используйте только приспособления, входящие в комплект устройства.



- Чтобы предотвратить риск пожара или удара током, избегайте попадания в устройство воды и эксплуатации устройства в условиях высокой влажности. Если по каким-то причинам вода попала внутрь устройства, обратитесь в уполномоченный сервисный центр (УСЦ).

- Для электропитания прибора используйте электросеть с надлежащими характеристиками.
- Не используйте прибор в помещениях, где в воздухе могут содержаться пары легковоспламеняющихся веществ.



- Никогда самостоятельно не вскрывайте устройство – это может стать причиной поражения электрическим током, привести к выходу прибора из строя и аннулирует гарантийные обязательства производителя. Для ремонта и технического обслуживания обращайтесь только в сервисные центры, уполномоченные для ремонта изделий торговой марки OURSSON.

- При перемещении устройства из прохладного помещения в теплое и наоборот распакуйте его перед началом эксплуатации и подождите 1-2 часа, не включая.



- В целях предотвращения поражения электрическим током не допускайте погружения проводов или всего изделия в воду.
- Будьте особенно осторожны и внимательны, если рядом с работающим прибором находятся дети.



- Не дотрагивайтесь до горячих поверхностей прибора, это может привести к травме.

- Шнур питания специально сделан относительно коротким во избежание риска получения травмы.

- Не допускайте свисания шнура через острый край стола или его касания нагретых поверхностей.

- Не подключайте данный прибор к сети, перегруженной другими электроприборами: это может привести к тому, что прибор не будет функционировать должным образом.

- Не устанавливайте изделие вблизи газовых и электрических плит, а также духовок.

- Не используйте прибор при поврежденном шнуре питания, а также в случаях, если нарушена нормальная работа изделия, если оно падало или было повреждено каким-либо другим образом.

- При отключении изделия от сети держите только за вилку, не тяните за провод – это может привести к повреждению провода или розетки и вызвать короткое замыкание.

- По окончании использования отключите изделие от сети.

- Оберегайте устройство от ударов, падений, вибраций и иных механических воздействий.

RU



Символ опасности ожога

Напоминание пользователю о высокой температуре.

- Обязательно отключайте устройство от сети перед началом мойки.
- Не используйте изделие вне помещений.
- Этот прибор не предназначен для использования людьми (включая детей) с ограниченными физическими, сенсорными или умственными способностями, или нехваткой опыта и знаний. Они могут пользоваться прибором только под наблюдением человека, ответственного за их безопасность, или после инструктажа по безопасному использованию прибора. Не позволяйте детям играть с изделием.
- Настоящее изделие предназначено только для использования в быту.
- Не используйте при чистке прибора абразивные материалы и органические чистящие средства (спирт, бензин и т.д.). Для чистки корпуса прибора допускается использование небольшого количества нейтрального моющего средства.

ОПАСНОСТЬ ВОЗДЕЙСТВИЯ МИКРОВОЛНОВОЙ ЭНЕРГИИ

- Не пытайтесь пользоваться микроволновой печью при открытой дверце, так как это может в результате привести к вредному воздействию микроволновой энергии. Важно не прерывать и не вмешиваться в работу защитных блокировок дверцы.
- Не помещайте какие-либо предметы между дверцей и торцевой поверхностью внутренней камеры микроволновой печи.
- Не позволяйте грязи и остаткам чистящих средств накапливаться на поверхностях микроволновой печи.
- Недостаточная очистка может привести к повреждению поверхности. **Возможен выход энергии микроволн наружу.** Очищайте прибор своевременно и сразу же удаляйте из него остатки продуктов. Всегда содержите в чистоте рабочую камеру, уплотнение дверцы, дверцу и ограничитель открывания дверцы. Избегайте попадания жира на слюдяную пластину.



Не вскрывайте корпус. Печь работает под высоким напряжением.



При повреждении дверцы или дверных уплотнений печь не следует использовать до устранения неисправности компетентным персоналом!



Все работы по обслуживанию и ремонту прибора, связанные со снятием крышки, обеспечивающей защиту от воздействия микроволновой энергии, должны выполняться только специалистами!

- Лампочку внутри печи может менять только специалист.

ОПАСНОСТЬ ВОЗГОРАНИЯ

- Микроволновая печь предназначена только для разогрева пищи и напитков. Сушка пищи, одежды, подогрев грелок, шлепанцев, губок, влажной ткани и подобных предметов может привести к риску повреждения, воспламенения или пожара.
- Удалите металлические предметы (проволаку, фольгу и т.д.) из бумажной или пластиковой посуды, прежде чем использовать ее в микроволновой печи.
- Если вы заметили дым внутри печи, ни в коем случае не открывайте дверцу. Сначала отсоедините сетевой шнур.



При разогреве в микроволновой печи пищи в бумажных или пластиковых контейнерах следите за печью, возможно воспламенение.

ОПАСНОСТЬ ОЖОГА

- Нельзя разогревать или готовить в микроволновой печи яйца в цельной скорлупе, так как они могут взорваться даже после окончания работы прибора.
- Нагреваемые в микроволновой печи напитки могут закипеть, поэтому будьте осторожны при извлечении контейнера из микроволновой печи. Используйте прихватки, вынимая блюда из печи.
- После разогрева в микроволновой печи, содержаемое бутылочек или баночек детского питания необходимо перемешать и проверить температуру, прежде чем дать ребенку, во избежание ожогов.
 - Поверхности печи подвержены нагреву при эксплуатации. Температура доступных поверхностей может быть высокой при работе прибора.



Жидкости и другие продукты нельзя разогревать в закрытых емкостях во избежание взрыва!

РЕКОМЕНДАЦИИ

- Перед использованием устройства внимательно ознакомьтесь с руководством пользователя. После чтения, пожалуйста, сохраните его для использования в будущем.
- Все иллюстрации, приведенные в данной инструкции, являются схематичными изображениями реальных объектов, которые могут отличаться от их реальных изображений.



Прибор оборудован защитной блокировкой. Если дверца микроволновки не закрыта правильно, вы не сможете включить прибор!



Эксплуатация данного прибора ни в коем случае не подразумевает применение к нему физической силы, так как это может привести к поломке изделия по вине пользователя.

КОМПЛЕКТАЦИЯ, Рис. В

- 1 Микроволновая печь..... 1 шт.
- 2 Стекланный поворотный стол, 245 мм..... 1 шт.

- 3 Роликовое кольцо..... 1 шт.
- Руководство по эксплуатации..... 1 шт.
- Гарантийный талон..... 1 шт.

ЭЛЕМЕНТЫ КОНСТРУКЦИИ, Рис. В

- 1 Корпус микроволновой печи
- 2 Держатель (приводной механизм)
- 3 Панель управления
- 4 Защелки (механизм блокировки дверцы)
- 5 Дверца со смотровым окном
- 6 Источник излучения
- 7 LED-дисплей

УСТАНОВКА, Рис. А-1

- Для установки микроволновой печи (на высоте не менее 85 см от пола) выберите ровную поверхность, которая обеспечивает достаточное место для вентиляции микроволновой печи и свободного открывания дверцы микроволновой печи.
- Минимальное расстояние между боковыми и задней панелями микроволновой печи до стены должно быть не менее 10 см.
- Расстояние над верхней панелью микроволновой печи должно быть не менее 15-20 см.
- Не снимайте ножки с нижней части микроволновой печи.
- Не удаляйте светло-серую слюдяную пластину из внутренней камеры микроволновой печи, она защищает магнетрон.
- Блокировка вентиляционных отверстий микроволновой печи может привести к ее повреждению.
- Устанавливайте микроволновую печь как можно дальше от радиоприемников и телевизоров. Работа микроволновой печи может повлиять на их работу.
- Подключите микроволновую печь к сетевой розетке, имеющей заземление, Рис. А.
- Откройте дверцу печи и установите роликовое кольцо, а на него – поворотный стол, совмещая крепеж на поворотном столе с держателем в центре микроволновой печи. **Проверьте, плотно ли стол установлен: он не должен свободно прокручиваться.** Закройте дверцу микроволновой печи.
- Ваша печь готова к работе и находится в режиме ожидания.**

ИСПОЛЬЗОВАНИЕ

Панель управления, Рис. В-5



Кнопка установки мощности микроволн



Кнопка выбора режима разморозки; установка часов/минут



Кнопка экспресс-приготовления



Кнопка выбора программ автоматического приготовления



Поворотный многофункциональный переключатель ВРЕМЯ/ВЕС



Кнопка СТОП; отмена программы; блокировка панели управления



Кнопка СТАРТ/БЫСТРЫЙ СТАРТ

Перед первым использованием протрите корпус микроволновой печи ①, рабочую камеру, и роликовое кольцо ③ сухой и мягкой тканью. Вымойте стеклянный поворотный стол ② теплой водой с добавлением жидкости для мытья посуды.

МАТЕРИАЛЫ, РАЗРЕШЕННЫЕ К ИСПОЛЬЗОВАНИЮ В МИКРОВОЛНОВОЙ ПЕЧИ

Для приготовления или разогрева в микроволновой печи используйте только посуду, подходящую для этого. На посуду, предназначенную для использования в микроволновой печи, нанесены специальные знаки. Если вы сомневаетесь в пригодности посуды для использования в микроволновой печи, проконсультируйтесь у изготовителя посуды или проведите следующий тест:

1. Поставьте в микроволновую печь один контейнер, подходящий для использования в микроволновой печи и наполненный одним стаканом воды 250 мл, и второй пустой тестируемый контейнер.
2. Включите микроволновую печь на максимальную мощность, длительность программы – 1 минута.
3. После окончания работы микроволновой печи проверьте пустой контейнер, если он горячий, то он не подходит для использования в микроволновой печи.

Алюминиевая фольга	Только в качестве защиты во избежание пригорания блюд. Используйте только специальную фольгу для СВЧ-печи. Может произойти искрение, если фольга расположена слишком близко к внутренним стенкам печи. Фольга должна располагаться не менее 2,5 см от стенок печи.
Глиняная посуда	Следуйте инструкции производителя посуды. Не используйте посуду, содержащую декоративную металлическую отделку, сколы и трещины.
Столловая посуда	Следуйте инструкциям производителя посуды. Не используйте посуду, содержащую декоративную металлическую отделку, сколы или трещины.
Стеклянные банки	Всегда снимайте крышку банки. Используйте только для разогрева пищи, большинство стеклянных банок изготавливаются не из жаропрочного стекла и могут лопнуть.
Стеклопосуда	Посуда из термостойкого стекла. Убедитесь, что на ней нет металлической отделки. Не используйте посуду с трещинами или сколами.
Пакеты для запекания в духовке	Следуйте инструкции изготовителя. Не используйте металлическую проволоку. Предварительно сделайте в пакете дырочки (отверстия) для выхода пара.
Бумажные тарелки и стаканы	Используйте только для разогрева пищи. Не оставляйте микроволновую печь без присмотра во время работы.
Бумажные полотенца	Используйте только во время разогрева пищи для предотвращения разбрызгивания жира. Не оставляйте микроволновую печь без присмотра во время работы.
Пергамент	Используется в качестве прикрытия для предотвращения разбрызгивания жира или в качестве упаковки для приготовления на пару.
Пластиковая посуда	Следуйте инструкции изготовителя посуды. На посуде должен быть специальный значок, символизирующий возможность использования в микроволновой печи. Некоторые пластиковые контейнеры размягчаются при использовании в микроволновой печи. Мешки для приготовления на пару и плотно закрытые пластиковые пакеты должны быть предварительно проколоты для выхода пара.
Пластиковая упаковка	Пластиковая упаковка может использоваться для покрытия пищи и препятствия выхода влаги во время разогрева. Не позволяйте пластиковой упаковке контактировать с пищей.
Термометры	Смотрите инструкцию изготовителя. Используйте специальные термометры для СВЧ-печей для измерения температуры при приготовлении мяса, птицы или рыбы.
Восковая бумага	Используйте специальную восковую бумагу для СВЧ-печи в качестве прикрытия для предотвращения разбрызгивания жира и удержания влаги в пище. Заворачивайте неплотно, оставляя отверстия.

МАТЕРИАЛЫ, КОТОРЫЕ НЕЛЬЗЯ ИСПОЛЬЗОВАТЬ В МИКРОВОЛНОВОЙ ПЕЧИ

Алюминиевые лотки	Могут вызвать искрение. Переложите пищу в посуду, безопасную для использования в микро-волновой печи.
Пищевой картон с металлическими ручками (декоративной отделкой)	
Металлическая посуда	
Бумажные мешки	Могут возгораться в микроволновой печи.
Проволочные перевязки	Может возникнуть искрение, что может вызвать огонь в печи.
Мыло	Может расплавиться и привести к загрязнению микроволновой печи.
Дерево	Высыхает при использовании в микроволновой печи, может потрескаться.

ПОРЯДОК РАБОТЫ

Установка часов:

1. Подключите микроволновую печь к электрической сети, на дисплее отобразится индикация «01:00», раздастся короткий звуковой сигнал.
2. Нажмите и удерживайте клавишу в течение 60 сек. На дисплее замигают первые две цифры часа.
3. Поверните переключатель ВРЕМЯ/ВЕС влево или вправо для выбора текущего времени.
4. Нажмите клавишу . На дисплее замигают цифры минут. С помощью переключателя аналогично установите минуты.
5. Нажмите клавишу еще раз или подождите 5 сек для завершения установки времени. Индикация «:» замигает, и установленное время отобразится на дисплее.

Приготовление в режиме «Микроволны»:

1. Нажмите клавишу несколько раз для выбора мощности. На дисплее отобразится предустановленная мощность микроволн 100% - «100P», 80% - «80P», 60% - «60P», 40% - «40P», 20% - «20P».
2. Поверните переключатель ВРЕМЯ/ВЕС, чтобы задать время приготовления. Максимальное время – 60 мин.
3. Нажмите клавишу для начала работы.

Экспресс-приготовление:

1. Для быстрого подогрева напитка или какого-либо продукта нажмите клавишу необходимое количество раз. Первое нажатие выставляет таймер на 30 сек. (макс. мощность, иные параметры недоступны), второе нажатие – 1 мин, третье – 1 мин 30 сек., четвертое – возвращение на 30 сек.
2. Нажмите клавишу для начала работы.

Быстрый старт:

В режиме ожидания нажмите клавишу необходимое количество раз. Печь будет работать в режиме «Микроволны» с макс. уровнем мощности 100%. Первое нажатие выставляет таймер на 60 сек, каждое следующее нажатие на клавишу прибавляет по 10 сек. времени. Это удобно для быстрого разогрева блюда.

Разморозка по весу:

1. Нажмите клавишу необходимое количество раз в зависимости от типа размораживаемого продукта. Одно нажатие – мясо - «d.1», домашняя птица - «d.2», морепродукты - «d.3».
 2. Поверните многофункциональный переключатель ВРЕМЯ/ВЕС влево или вправо для выбора веса размораживаемого продукта. Для мяса - от 0,1 до 2 кг, для птицы - от 0,2 до 3 кг, для морепродуктов - от 0,1 до 0,9 кг. Рекомендуется не превышать указанные параметры.
 3. Нажмите клавишу для начала работы.
- ПРИМЕЧАНИЕ:** По истечении половины установленного времени прозвучит звуковой сигнал. Для достижения более эффективной разморозки необходимо перевернуть продукты, закрыть дверцу и повторно нажать клавишу для продолжения разморозки.

Программы автоматического приготовления:

1. В режиме ожидания нажмите клавишу необходимое количество раз для выбора программы. На дисплее отобразится индикация автоматических программ от «А-1» до «А-8».

Индикация на дисплее	Тип продукта
A-1	Попкорн
A-2	Тарелка супа или повторный нагрев продукта
A-3	Напиток
A-4	Пицца
A-5	Картофель
A-6	Овощи
A-7	Мясо
A-8	Рыба

2. Поверните переключатель ВРЕМЯ/ВЕС влево или вправо для выбора веса/количества продукта.
 3. Нажмите клавишу для начала работы.
- ПРИМЕЧАНИЕ:** Результат автоматических программ приготовления зависит от таких факторов, как колебания напряжения, форма и размер продуктов питания, личные вкусовые предпочтения.

Если результат автоматических программ приготовления не полностью соответствует ожиданиям, рекомендуется использовать стандартные способы приготовления в микроволновой печи.

Функция «Таймер» (отложенный старт):

1. Установите текущее время как описано выше.
2. Нажмите клавишу несколько раз для выбора мощности.
3. Поворачивая многофункциональный переключатель ВРЕМЯ/ВЕС/МЕНЮ задайте время приготовления.
4. Нажмите и удерживайте клавишу в течение 3 секунд для отображения текущего времени.
5. Задайте время начала отложенного старта аналогично с установкой текущего времени.
6. Нажмите клавишу для подтверждения программы отложенного старта.

Блокировка от случайного включения микроволновой печи детьми:

1. В режиме ожидания нажмите и удерживайте клавишу в течение 3 секунд. Раздастся длинный звуковой сигнал и микроволновая печь перейдет в режим блокировки.
2. Для разблокировки еще раз нажмите и удерживайте клавишу в течение 3 секунд. Раздастся длинный звуковой сигнал. Панель разблокируется.

ПРИМЕЧАНИЕ: Блокируется только работа панели управления микроволновой печи.

Никогда не используйте прибор с микроволнами без установленного поворотного стола.

Работа прибора без установленных в него блюд ведет к перегрузке. Включать режим микроволн с пустой посудой запрещается. Исключением является кратковременная проверка посуды на пригодность.

СООТВЕТСТВИЕ ЗНАЧЕНИЯ УРОВНЯ МОЩНОСТИ МИКРОВОЛН ОБОЗНАЧЕНИЯМ НА ПАНЕЛИ УПРАВЛЕНИЯ

Тип мощности	Обозначение на панели управления	Мощность микроволн в %	Использование
Максимальный	100P	100%	<ul style="list-style-type: none"> • Кипячение воды. • Приготовление блюд из мясного фарша. • Приготовление овощей и кусочков птицы. • Приготовление небольших кусков нежного мяса.
Высокий	80P	80%	<ul style="list-style-type: none"> • Приготовление мяса крупными кусками и курицы целиком. • Приготовление морепродуктов и грибов. • Приготовление блюд с содержанием сыра и яиц.
Средний	60P	60%	<ul style="list-style-type: none"> • Тушение птицы. • Приготовление рыбы. • Приготовление блюд из яиц. • Приготовление сладких кремов. • Приготовление супа, различных видов круп.
Низкий/разморозка	40P	40%	<ul style="list-style-type: none"> • Разморозка всех продуктов. • Плавнение шоколада и сливочного масла. • Тушение более жестких кусков мяса.
Минимальный	20P	20%	<ul style="list-style-type: none"> • Размягчение сыра. • Размягчение мороженого.

Попкорн в микроволновой печи: Никогда не устанавливайте слишком большую мощность, максимум 700 Вт. Пакетики с попкорном всегда кладите на стеклянный стол. Из-за перегрузок стекло может треснуть.

При нагревании жидкости всегда кладите внутрь ложку. Благодаря этому удается избежать задержки закипания, Рис. А-2

ВОЗМОЖНЫЕ ПРОБЛЕМЫ И СПОСОБЫ ИХ РЕШЕНИЯ

Возможная проблема	Способы решения
Микроволновая печь не работает.	<ul style="list-style-type: none"> • Плохо закрыта дверца микроволновой печи. • Вилка шнура питания плохо вставлена в сетевую розетку. • Нет напряжения в электрической сети. • Неправильно установлена программа.
Конденсат на решетке для гриля и стенках микроволновой печи.	<ul style="list-style-type: none"> • Во время приготовления пищи, содержащей воду, образуется пар, который частично уходит из микроволновой печи, а частично оседает в виде конденсата на решетке и стенках микроволновой печи.

Возможная проблема	Способы решения
Искровые разряды внутри микроволновой печи.	В режиме «Микроволн» не включайте микроволновую печь, если в нее не загружены продукты. <ul style="list-style-type: none"> • Удалите упаковку, содержащую металлические детали. • Не используйте посуду с металлической декоративной отделкой для приготовления в микроволновой печи.
Недостаточно разогреваются продукты.	<ul style="list-style-type: none"> • Неправильно выбран режим работы микроволновой печи. • Замороженные продукты не были разморожены перед процессом приготовления.
Продукты пригорают.	<ul style="list-style-type: none"> • Неправильно выбран режим работы микроволновой печи.
Пища разогревается неравномерно.	<ul style="list-style-type: none"> • Несколько раз во время приготовления приостановите программу и перемешайте пищу. • Продукты, порезанные одинаковыми равномерными кусками или дольками, разогреваются более равномерно. • Не вращается стеклянный поворотный стол.

ЧИСТКА И УХОД

Перед выполнением очистки выньте вилку сетевого кабеля из розетки.

Очистите прибор снаружи и внутри с помощью влажной тряпочки и мягкого средства для очистки. Затем протрите насухо чистой тряпкой.

Зона очистки	Примечание
Передняя панель прибора	Теплый мыльный раствор. Очистить с помощью мягкой тряпочки, а затем вытрите досуха. Не использовать скребки.
Углубления на дне рабочей камеры	Влажная тряпка. Вода не должна попадать через привод поворотного стола внутрь прибора.
Стеклянный поворотный стол и роликовое кольцо	Теплый мыльный раствор. Следите за тем, что бы поворотный стол был правильно зафиксирован.
Стеклянная дверца	Средство для очистки стекол. Очистить с помощью мягкой тряпочки. Не использовать скребки.
Уплотнитель	Теплый мыльный раствор. Очистить с помощью мягкой тряпочки. Не тереть! Не использовать скребки

КОНТРОЛЬНЫЕ БЛЮДА В СООТВЕТСТВИИ С EN 60705

На примере этих блюд производится качество и правильность функционирования микроволновой печи контролирующими органами.

В соответствии со стандартом EN 60705, IEC 60705 или DIN 44547, EN 60350 (2009)

Доведение до готовности и размораживание с помощью микроволн

Приготовление с микроволнами		
Блюдо	Мощность микроволн (Вт), время приготовления (мин)	Указание
Омлет, 750 г	360 Вт, 12-17 мин + 90 Вт, 20-25 мин	Поставить форму Ругех 20x25 см на вращающуюся подставку
Бисквит	600 Вт, 8-10 мин	Поставить форму Ругех 22 см на вращающуюся подставку
Мясной рулет	600 Вт, 20-25 мин	Поставить форму Ругех на вращающуюся подставку
Размораживание с микроволнами		
Блюдо	Мощность микроволн (Вт), время приготовления (мин)	Указание
Мясо	180 Вт, 807 мин + 90 Вт, 10-15 мин	Поставить форму Ругех 22 см на вращающуюся подставку
Размораживание с микроволнами		
Блюдо	Мощность микроволн (Вт), время приготовления (мин)	Указание
Картофельная запеканка	Гриль + 360 Вт, 35-40 мин	Поставить форму Ругех 22 см на вращающуюся подставку

*Продукция должна храниться в сухих, проветриваемых складских помещениях при температуре не ниже - 25°C.

Технические характеристики	
Модель	MD2033
Номинальная потребляемая мощность, Вт	max 1150
Параметры электропитания	220-240 В~; 50 Гц
Рабочая частота	2450 МГц
Номинальная микроволновая мощность, Вт	700
Объем внутренней камеры	20 л
Диаметр стеклянного поворотного стола	245 мм
Класс защиты от поражения электрическим током	I
Температура хранения и транспортировки	от -25°C до +35°C
Температура эксплуатации	от +5°C до +35°C
Требования к влажности воздуха при транспортировке, хранении и эксплуатации	15-75% без образования конденсата
Размер прибора	451 x 344 x 258 мм
Вес прибора	10,2 кг

СЕРТИФИКАЦИЯ ПРОДУКЦИИ

Информацию о сертификате соответствия смотрите на сайте <http://www.oursson.com/rus/ru/about/partners/certificates/#tab0> или спрашивайте копию у продавца.

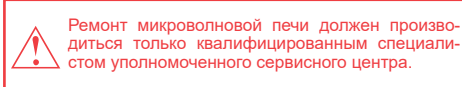
СЕРВИСНОЕ ОБСЛУЖИВАНИЕ

Мы выражаем вам огромную признательность за выбор продукции OURSSON. Мы сделали все возможное, чтобы данное изделие удовлетворяло вашим запросам, а качество соответствовало лучшим мировым образцам. В случае, если ваше изделие марки OURSSON будет нуждаться в техническом обслуживании, просим вас обращаться в один из Уполномоченных Сервисных Центров (далее – УСЦ). С полным списком УСЦ и их точными адресами вы можете ознакомиться на сайте www.oursson.ru, а также позвонив по номеру телефона бесплатной горячей линии OURSSON.

В случае возникновения вопросов или проблем, связанных с продукцией OURSSON, просим вас обращаться в письменном виде в организацию, уполномоченную на принятие и удовлетворение требований потребителей в отношении товара ненадлежащего качества, либо по электронной почте info@oursson.ru.

Условия Гарантийных обязательств :

- Гарантийные обязательства, предоставляемые УСЦ, распространяются только на модели, предназначенные для производства или поставок и реализации на территории страны, где предоставляется гарантийное обслуживание, приобретенные в этой стране, прошедшие сертификацию на соответствие стандартам этой страны, а также маркированные официальными знаками соответствия.
- Гарантийные обязательства действуют в рамках законодательства о защите прав потребителей и регулируются законодательством страны, на территории которой они предоставлены, и только при условии использования изделия исключительно для личных, семейных или домашних нужд. Гарантийные обязательства не распространяются на случаи использования товаров в целях осуществления предпринимательской деятельности либо в связи с приобретением товаров в целях



- удовлетворения потребностей предприятий, учреждений, организаций.
- Изготовитель устанавливает на свои изделия следующие сроки службы и гарантийные сроки:
 - Гарантийные обязательства не распространяются

Название продукта	Срок службы, месяцев	Гарантийный срок, месяцев со дня покупки
Микроволновые печи, хлебопечи, индукционные плиты	60	12
Мультиварки, кухонные процессоры, кухонные машины, электрические чайники, электрические грили, блендеры, миксеры, мясорубки, тостеры, термопоты, роостеры, кофеварки, пароварки, соковыжималки, измельчители, дегидраторы, йогуртницы, ферментаторы, минидуховки, морозильники, холодильники, автоматические кофемашины	36	12
Кухонные весы, сифоны	24	12

на перечисленные ниже принадлежности изделия, если их замена предусмотрена конструкцией и не связана с разборкой изделия:

- Элементы питания.
 - Чехлы, ремни, шнуры для переноски, монтажные приспособления, инструмент, документацию, прилагаемую к изделию.
- Гарантия не распространяется на недостатки, возникшие в изделии вследствие нарушения потребителем правил использования, хранения или транспортировки товара, действия третьих лиц или непреодолимой силы, включая, но не ограничиваясь следующими случаями:
 - Если недостаток товара явился следствием небрежного обращения, применения товара не по назначению, нарушения условий и правил эксплуатации, изложенных в инструкции по эксплуатации, в том числе вследствие

воздействия высоких или низких температур, высокой влажности или запыленности, следах вскрытия корпуса прибора и/или самостоятельного ремонта, несоответствия Государственным стандартам параметров питающих сетей, попадания внутрь корпуса жидкости, насекомых и других посторонних предметов, веществ, а также длительного использования изделия в предельных режимах его работы.

- Повреждения и дефекты, вызванные качеством воды и отложением накипи (очистка от накипи и чистка не входит в гарантийное обслуживание и должна РЕГУЛЯРНО производиться Вами самостоятельно).
- Если недостаток товара явился следствием несанкционированного тестирования товара или попыток внесения любых изменений в его конструкцию или его программное обеспечение, в том числе ремонта или технического обслуживания в неуполномоченной компанией ремонтной организации.
- Если недостаток товара явился следствием использования нестандартных (нетиповых) и (или) некачественных принадлежностей, аксессуаров, запасных частей, элементов питания.
- Если недостаток товара связан с его применением совместно с дополнительным оборудованием (аксессуарами), отличным от дополнительного оборудования, рекомендованного к применению с данным товаром. Фирма не несет ответственность за качество дополнительного оборудования (аксессуаров), произведенного третьими лицами, за качество работы своих изделий совместно с таким оборудованием, а также за качество работы дополнительного оборудования OURSSON совместно с изделиями других производителей.
- Недостатки товара, обнаруженные в период срока службы, устраняются уполномоченными на это ремонтными организациями (УСЦ). В течение гарантийного срока устранение недостатков производится бесплатно при предъявлении оригинала заполненного гарантийного талона и документов, подтверждающих факт и дату заключения договора розничной купли-продажи (товарный, кассовый чек и т. п.). В случае отсутствия указанных документов гарантийный срок исчисляется со дня изготовления товара. При этом следует учитывать:
 - Настройка и установка (сборка, подключение и т. п.) изделия, описанная в документации, прилагаемой к нему, не входит в объем гарантийных обязательств и могут быть выполнены как самим пользователем, так и специалистами большинства уполномоченных сервисных центров соответствующего профиля на платной основе.
 - Работы по техническому обслуживанию изделий (чистка и смазка движущихся частей, замена расходных материалов и принадлежностей и т. п.) производятся на платной основе.
- Изготовитель не несет ответственности за возможный вред, прямо или косвенно нанесенный своей продукцией людям, домашним животным, имуществу в случае, если это произошло в результате несоблюдения правил и условий эксплуатации, хранения,

транспортировки или установкой изделия; умышленных или неосторожных действий потребителя или третьих лиц.

- Ни при каких обстоятельствах Изготовитель не несет ответственности за какой-либо особый, случайный, прямой или косвенный ущерб или убытки, включая, но не ограничиваясь перечисленным, упущенную выгоду, убытки, вызванные перерывами в коммерческой, производственной или иной деятельности, возникающие в связи с использованием или невозможностью использования изделия.
- Вследствие постоянного совершенствования продукции элементы дизайна и некоторые технические характеристики продукта могут быть изменены без предварительного уведомления со стороны производителя.

Использование изделия по истечении срока службы

- Срок службы, установленный Изготовителем для данного изделия, действует только при условии использования изделия исключительно для личных, семейных или домашних нужд, а также соблюдении потребителем правил эксплуатации, хранения и транспортировки изделия. При условии аккуратного обращения с изделием и соблюдения правил эксплуатации фактический срок службы может превышать срок службы, установленный Изготовителем.
- По окончании срока службы изделия вам необходимо обратиться в Уполномоченный сервисный центр для проведения профилактического обслуживания изделия и определения его пригодности к дальнейшей эксплуатации. Работы по профилактическому обслуживанию изделия и его диагностике выполняются сервисными центрами на платной основе.
- Изготовитель не рекомендует продолжать эксплуатацию изделия по окончании срока службы без проведения его профилактического обслуживания в Уполномоченном сервисном центре, т. к. в этом случае изделие может представлять опасность для жизни, здоровья или имущества потребителя.

Утилизация изделия

Этот бытовой электроприбор имеет обозначение согласно требованиям Директивы ЕС 2002/96/EG об отслуживших свой срок электрических и электронных приборах (waste electrical and electronic equipment – WEEE). После окончания срока службы изделия его нельзя выбрасывать вместе с обычным бытовым мусором. Вместо этого оно подлежит сдаче на утилизацию в соответствующий пункт приема электрического и электронного оборудования для последующей переработки и утилизации в соответствии с федеральным или местным законодательством. Обеспечивая правильную утилизацию данного продукта, вы помогаете сберечь природные ресурсы и предотвращаете ущерб для окружающей среды и здоровья людей, который возможен в случае ненадлежащего обращения. Более подробную информацию о пунктах приема и утилизации данного продукта можно получить в местных муниципальных органах или на предприятии по вывозу бытового мусора.



Дата производства

Каждому изделию присваивается уникальный серийный номер в виде буквенно-цифрового ряда и дублируется штрих-кодом, который содержит следующую информацию: название товарной группы, дату производства, порядковый номер изделия. Серийный номер располагается на задней панели продукта, на упаковке и в гарантийном талоне.



1 2 3 4

Серийный номер располагается на задней панели продукта, на упаковке и в гарантийном талоне.

- 1 Первые две буквы – соответствие товарной группе (микроволновые печи – MM/MD).

- 2 Первые две цифры – год производства.
- 3 Вторые две цифры – месяц производства.
- 4 Последние цифры – порядковый номер изделия.

Во избежание недоразумений убедительно просим вас внимательно изучить Руководство по эксплуатации изделия и условия гарантийных обязательств, проверить правильность заполнения гарантийного талона. Гарантийный талон действителен только при наличии правильно и четко указанных: модели, серийного номера изделия, даты покупки, четких печатей фирмы-продавца, подписи покупателя. Серийный номер и модель изделия должны соответствовать указанным в гарантийном талоне. При нарушении этих условий, а также в случае, когда данные, указанные в гарантийном талоне, изменены или стерты, талон признается недействительным.



Горячая линия обеспечивает полную информационную поддержку деятельности компании в России, странах СНГ и Балтии. Профессиональные операторы быстро ответят на любой интересующий вас вопрос. Вы можете обращаться в единый центр по вопросам сервисного сопровождения, для рекомендаций специалистов по настройке и подключению, для информирования о местах продаж, с вопросами о рекламных акциях и розыгрышах, проводимых компанией, а также с любыми другими вопросами о деятельности компании на территории России, стран СНГ и Балтии.

Есть вопросы? Звоните, мы поможем!

Телефон горячей линии (бесплатные звонки со стационарных телефонов):

8 800 100 8 708

Время работы горячей линии:

понедельник-пятница с 10:00 до 20:00 (по московскому времени); без выходных, 7 дней в неделю.

Настоящая инструкция является объектом охраны в соответствии с международным и российским законодательством об авторском праве. Любое несанкционированное использование инструкции, включая копирование, тиражирование и распространение, но не ограничиваясь этим, влечет применение к виновному лицу гражданско-правовой ответственности, а также уголовной ответственности в соответствии со статьей 146 УК РФ и административной ответственности в соответствии со статьей 7.12 КоАП РФ (ст.150.4 КоАП в старой редакции).

Контактная информация:

1. Изготовитель товара – «Zhongshan Donlim Weili Electrical Appliances Co.,LTD», No.1 Dong Wei Road, Fusha Industrial Park, Fusha Town, Zhongshan City, Guangdong, China.
2. Организация, уполномоченная на принятие и удовлетворение требований потребителей в отношении товара ненадлежащего качества (уполномоченное изготовителем лицо), – ООО «ОРСОН», 125445, Москва, Ленинградское шоссе, д. 65, стр. 3.
3. Информация о сертификации продукта доступна на сайте www.oursson.com.
4. Импортёр продукции: РФ и/или страны ЕТС: смотрите информацию на упаковке товара.

Сделано в КНР



forum.oursson.ru



Скачайте мобильное приложение с рецептами к технике Oursson



www.oursson.com