

oursson 

bon appétit

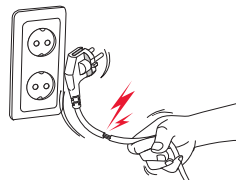
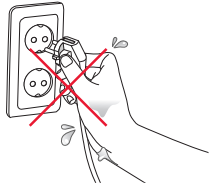
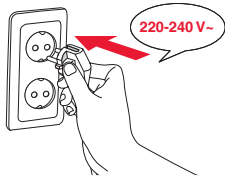


**EG2030S**

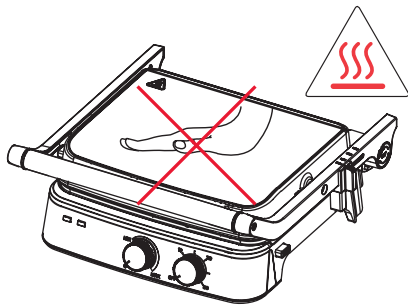
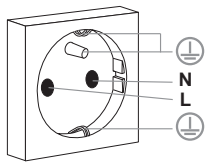
**EN** Instruction manual

**RU** Руководство по эксплуатации

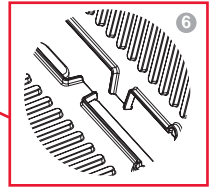
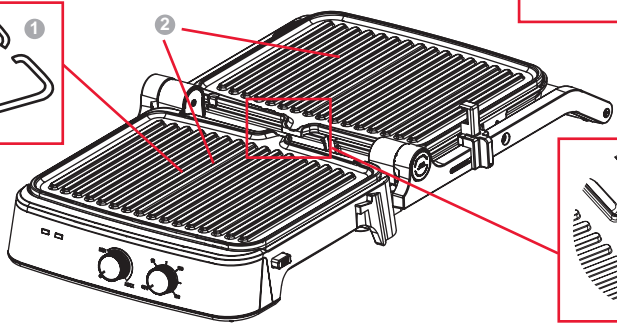
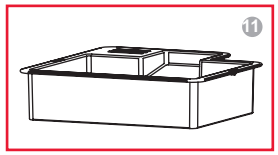
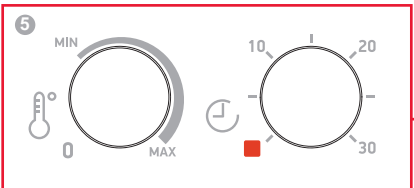
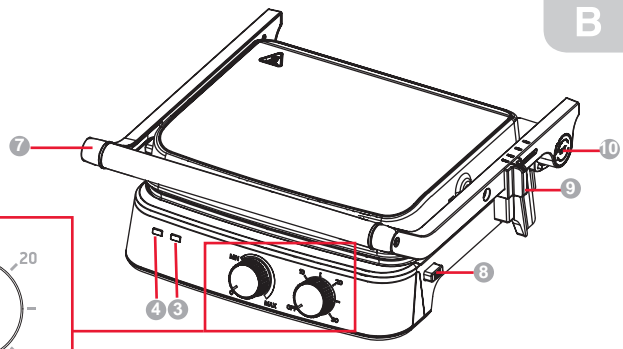




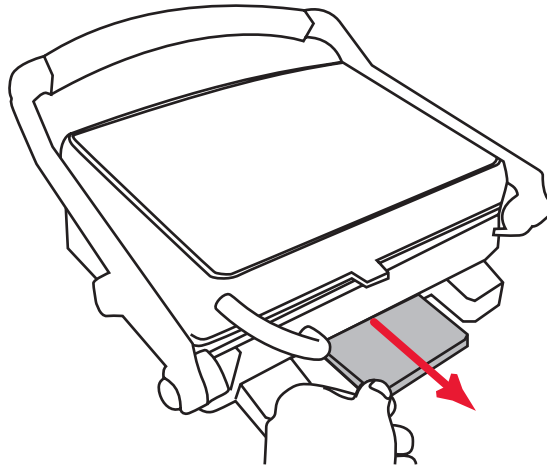
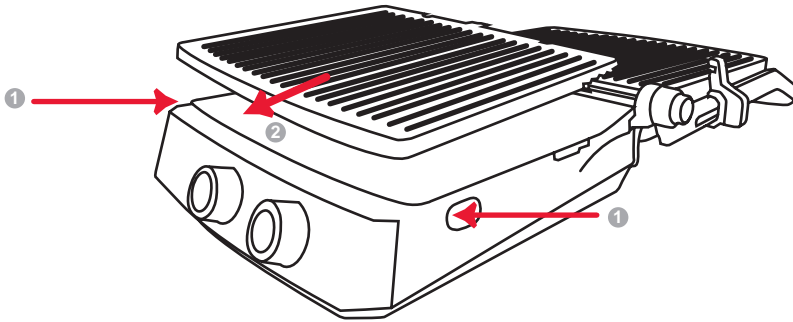
A







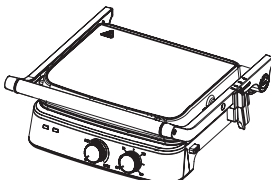
B



C



D

			
	✓	✓	✓
	✗	✗	✓

## SAFETY INSTRUCTIONS, Pic. A



### Danger symbol

A reminder to user about high voltage.



### Warning symbol

A reminder to user about the necessity of operating exactly according to the instructions.



### Risk of burn symbol

Reminder for user of high temperatures

EN

When using electrical appliances should take the following precautions:

- Use the device according to the following instructions manual.
- Install the device on a stable surface.
- Use only the tools, which are included in the product set.



To protect against risk of electrical shock do not put the cord in water or other liquid. If for some reason the water got into the unit, contact an authorized service center (ASC) OURSSON.

- For power supply, use a power grid with proper characteristics.
- Do not use the device in areas where the air can contain vapors of flammable substances.
  - Never attempt to open the device by yourself – it could possibly be the reason of an electrical shock can lead to product malfunction and will invalidate the manufacturer's warranty. For repair and maintenance, contact only authorized service centers meant for repair of products under the trademark OURSSON.



- When moved from a cool to a warm place and vice versa unpack it before use and wait 1-2 hours without turning it on.



In order to prevent electrical shock do not immerse the entire product or the wires into the water.

- Be particularly careful and cautious when using the device near children.



Do not touch any hot parts, as this may cause injury.

- The power cord is specially made relatively short in order to avoid the risk of injury.
- Do not allow the cord to hang over the sharp edge of the table or touch hot surfaces.
- Do not connect this device to a grid which is overloaded with other appliances: it can lead to the fact that the device will not function properly.
- Do not install the device near gas and electric stoves and ovens.
- After use, make sure to disconnect the device from the power grid.
- Keep the device from bumps, falls, vibration and other mechanical influences.
- Make sure to disconnect the device from the power grid before cleaning or changing accessories.
- Do not use the device outdoors.
- This appliance is not intended for use by persons (including children) with reduced physical, sensory or mental capabilities, or lack of experience and knowledge. They can only use the device under the supervision of the person responsible for their safety, or after instruction on the safe use of the device. Do not allow children to play with the product.

- This product is intended only for use in the home.
- If the power cord is damaged, it must be replaced by a specialist from the authorized service center (ASC) OURSSON to avoid danger.
- Use only the tools, which are included in the product set.
- When cleaning the appliance do not use abrasives and organic cleaners (alcohol, gasoline, etc.). When cleaning the device it is allowed to use a small amount of neutral detergent.

## RECOMMENDATIONS

- Please read the instruction manual before using the device. Keep the manual after reading for further use.
- All illustrations in this manual are schematic representations of real objects, which may differ from the actual images.



**NOTE!** Do not leave working device unattended.

- Connect the device to a properly grounded power outlet., Pic. A
- Place the device on a horizontal, flat surface; at a height not reachable by children, leaving free distance around the device – 30-40 cm to prevent overheating.
- Unwind the power cable completely before use.
- Do not cook food in foil.
  - Do not cover the device during operation as this may cause a fire. Do not place foreign objects in the device: paper, cardboard, plastic, towels, etc.



During operation, the device heats up. Do not touch the hot surfaces of the device. Hold the handle only. Be careful when cooking.



**NOTE!** The operation of this device in any case does not imply application of any force to it, as this may damage the product due to user fault

## PRODUCT SET

Electric Grill .....	1 шт.
Instructions manual .....	1 шт.
Guarantee sheet.....	1 шт.

## ELEMENTS OF DESIGN, Pic. B

- 1 Heating element
- 2 Removable heating plates
- 3 Operation indication
- 4 Heating indication
- 5 Control Panel
- 6 Grease/oil drain groove
- 7 Handle
- 8 Buttons for fixating heating plates
- 9 Lid closing height adjuster
- 10 180° lid opener fixator
- 11 Removable grease tray

## UTILIZATION

### Control panel, Pic. B-5

 **Cooking temperature regulator.** The maximum temperature is 230°C

 **Timer.** Time selection from 0 to 30 minutes.

Lid closing height adjuster, Pic. B-9.

LOW – Grill lid low position

HIGH – Grill lid high position

LOCK – Lid opening lock

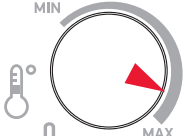
OPEN – Lid opening unlock

### PREPARATION FOR OPERATION, Pic. C

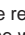



**Before first use, wipe the body of the device with a soft, dry cloth.** Press from the both sides the buttons for fixating heating plates and remove the plates, Pic. C-1. Take out the grease tray, Pic.C-2. Rinse the heating plates and grease tray with warm water and dishwashing liquid. Thoroughly dry all parts. Set them back. Before assembling or disassembling the device, make sure that the device is unplugged. Turn on empty device for 5-10 minutes to remove the odor of the new device. To do this, turn the temperature control to the maximum and the timer control to the required time.. Air the room. Allow the device to cool.

## COOKING RECOMMENDATIONS


- Before cooking it is recommended to wash the ingredients, cut them and marinade if necessary.
- The cooking time in the table is advisory in nature and may vary depending on the recipe and personal preferences.
- When using the grill in the unfolded position of 180°, the cooking time increases. Turn the ingredients periodically during cooking.

Ingredients	Type of Cooking	Cooking time
Vegetables, mushrooms		9-17 min.

## ORDER OF OPERATION

1. Plug in the device. Make sure that the grease tray is installed and the lid is closed.
2. Set the required temperature with the  knob and the time with the  knob. The power indicator  will light up. When the device reaches the set temperature, the  indicator lights up, the grill is ready for use.
3. Open the grill by pulling up the handle. If necessary, grease the heating plates with a small amount of oil or other grease. The use of oil/grease is optional, as heating plates are made of non-stick coating elements. Place the prepared ingredients on the heating plates, Pic.C-5. Lower the lid down. The cooking process will begin.

### NOTE:

- If necessary, adjust the closing height of the lid using the knob .
- If an increase in cooking area is required, press the lid opener fixator and spread the grill 180°.







**It is recommended to perform this operation before plugging the device to the electrical network.**



You can check the readiness of the dish at any time by lifting the lid. Be careful not to get hot steam or grease spray on your skin.



Do not use sharp objects, as this may damage the non-stick coating, Pic. A.

- During cooking, the heat indicator  may fade. This indicates the maintenance of the required temperature.
4. At the end of cooking, open the grill. Using special kitchen utensils (plastic, silicone or wooden) take the finished dish from the grill and put it on a plate. Turn the temperature control to the  position and the timer knob into the  position,  indicator will fade.
-  Before unplugging the device always set the temperature control to the  position.
5. Unplug the device.


Ingredients	Type of Cooking	Cooking time
Toasts, sandwiches		4-9 min.
Fish		4-12 min.
Sausages		5-10 min.
Meat		10-25 min.
Chicken		25-30 min.


**Note:** Frozen food should be completely thawed before grilling.

## CLEANING AND MAINTENANCE, Pic. D



Clean all the parts of the device immediately after use

- Make sure the temperature control is in the 0 position and the timer switch is in the  position. Unplug the device. **Let the device cool.**
- Press from the both sides the buttons for fixating heating plates and remove the plates, Pic. C-1. Take out the grease tray, Pic.C-2. Rinse the heating plates and grease tray with warm water and dishwashing liquid. They can be washed in a dishwasher. **The temperature in the dishwasher should not exceed 60°C.**

- Whip the body of the device with a damp soft cloth.
-  • Never immerse the device in water due to the danger of electric shock.
- After cleaning, thoroughly dry all the parts of the device.
- Store the product with the lid closed.

## POSSIBLE PROBLEMS AND SOLUTIONS

Possible Problem	Possible Cause	Solutions
Device doesn't turn on	No voltage in the socket	• Unplug the device and wait until the voltage recovers
Meat is not well cooked	Too big pieces of meat	• Cut the meat into small pieces. • Set extra cooking time

## PRODUCT CERTIFICATION

For information on product certification, see <http://www.oursson.com/rus/ru/about/partners/certificates/#tab0> or ask seller for a copy.

Specifications	
Model	EG2030S
Power consumption, W	max 2000
Rated voltage	220-240V~; 50-60 Hz
Type of heating element	Tubular Electric Heater
Removable heating plates	Yes
Storage and transportation temperature	-25°C to + 35°C
Operating temperature from	+5°C to +35°C
Humidity Requirements	15-75% without condensate
Class of protection against electrical shock	I
Dimensions (HxWxL), mm	355x348x155
Weight, kg	3,8

**\*Products should be stored in dry, ventilated warehouses at temperatures below - 25°C.**



Reparation must be performed only by a qualified personnel authorized by OURSSON service center.

## SERVICING

Company OURSSON expresses great appreciation to you for choosing our products. We have done everything possible so that this meets your needs, and the quality corresponds to the best world standards. If your OURSSON branded product will need maintenance, please contact one of the authorized service center (hereinafter - ASC). A complete list of ASC and their exact addresses can be found on the website [www.oursson.com](http://www.oursson.com).

### Warranty obligations OURSSON:

- Warranty obligations OURSSON, provided ASC OURSSON, apply only to models designed OURSSON for the production or supply and sale within the country where the warranty service is provided, purchased in this country, certified for compliance with the standards of this country, and also marked the with official marks of conformity.
- Warranty obligations OURSSON operate within the law on protection of consumer rights and are regulated by the laws of the country in which they are provided, and only when the product is used exclusively for personal, family or household purposes. Warranty obligations OURSSON shall not apply to uses of goods for business purposes or in connection with the acquisition of goods to meet the needs of enterprises, institutions and organizations.
- OURSSON sets for its products the following terms of use and warranty periods:

Product name	Terms of use, months	Warranty Period, months
Microwave ovens, bread makers, induction stoves Multicookers, kitchen processors, kitchen machines, electric kettles, electric grills, blenders, mixers, meat grinders, toasters, thermo pots,	60	24

Product name	Terms of use, months	Warranty Period, months
roasters, coffee makers, steamers, juice makers, choppers, dehydrators, yogurt makers, fermenters, mini-ovens, freezers, refrigerators, automatic coffee machines Kitchen scales, siphons	60	24

- Warranty obligations OURSSON shall not apply to the following products, if their replacement is assumed and is not connected with disassembling products:
  - Batteries.
  - Cases, straps, cords for carrying, mounting accessories, tools, documentation that came with the product.
  - Accessories included in the product kits, except for their absence or the presence of a manufacturing defect.
- Warranty does not cover defects caused due to violations of the rules of consumer use, storage or transportation of the goods, actions of third parties or force majeure, including but not limited to the following cases:
  - If the defect was a result of careless handling, used for other purposes, violations of conditions and rules of operation set forth in the instruction manual, including as a result of exposure to high or low temperatures, high humidity or dust, traces of opening the device independently and/ or self-repair, mismatch state standards for power grids, getting liquids, insects or other foreign objects, substances inside the device, as well as long-term use of the product in extreme operational modes.
  - If the defect of the product was a result of unauthorized attempts to test the product or make any changes in its construction or software programs, including repair or maintenance in unauthorized



service centers.

- If the defect of the product was a result of use of non-standard and/or low quality equipment, accessories, spare parts, batteries.
  - If the defect of the product is associated with its use in conjunction with additional equipment (accessories), other than additional equipment recommended by OURSSON for use with this product. OURSSON is not responsible for the quality of the additional equipment (accessories) manufactured by third parties, for the quality of its products together with such equipment, as well as the quality of the work of the additional equipment of OURSSON together with the products of other manufacturers.
6. Product defects detected during the lifetime of the product are eliminated by the authorized service centers (ASC). During the warranty period, elimination of defects is free of charge with the presentation of the original certificate of guarantee and documents that confirm the fact and date of the contract of retail purchase. In the absence of such documents, warranty period is calculated from the date of manufacture of goods. It should be taken into account:
    - Setup and Installation (assembly, the connection, etc.) of the product described in the documentation attached to it, does not enter the scope of warranty OURSSON and can be performed by the user as well as the specialists of most authorized service centers on a paid basis.
    - Work upon maintenance of products (cleaning and lubricating the moving parts, replacement of consumables and supplies, etc.) are made on a paid basis.
  7. OURSSON is not responsible for any damage directly or indirectly caused by their products to people, pets, property, if it occurred as a result of non-observance of the rules and conditions of use, storage, transportation or installation of the product, intentional or negligent actions of consumer or third parties.
  8. Under no circumstances, OURSSON is not responsible for any special, incidental, indirect or consequential loss or damage, including but not limited to: lost profits, damages caused by interruptions in the commercial, industrial or other activities, arising from the use of or inability to use the product.
  9. Due to continuous product improvement, design elements and some technical specifications are subject to change without prior notice from the manufacturer.

#### Using the product when after the terms of use (lifetime):

1. Lifetime set by OURSSON for this product applies only when the product is used exclusively for personal, family or household needs, as well as the consumer observes the correct operation, storage and transportation of products. Under the condition of careful handling of the product and compliance with the rules of operation the actual life may exceed the lifetime set by OURSSON.
2. At the end of the product lifetime, you should contact an authorized service center for to conduct a preventive maintenance of the product and determine the suitability for further use. Work on conducting a preventive maintenance of the products is also made in service centers on paid basis.

3. OURSSON does not recommend the use of this product after the end of its lifetime without its preventive maintenance by the authorized service center, since in this case, the product can be dangerous to the life, health or property of the consumer.

#### Product Recycling and Disposal

This appliance has been identified in accordance with the European directive 2002/96/EG on Waste Electrical and Electronic Equipment – WEEE.

After the expiration of the lifetime, the product cannot be disposed with another household waste. Instead, it shall be deposited in the appropriate recycling collection point for electrical and electronic equipment for proper treatment and disposal in accordance with federal or local law. By disposing correctly this product, you will help to conserve natural resources and preventing the product from damaging the environment and human health. For more information on the collection point and recycling of this product, please contact your local municipal authorities or the enterprise for household waste disposal.



#### Date of manufacture

Each product has a unique serial number in the form of alphanumeric row and is duplicated with a barcode that contains the following information: name of the product group, date of manufacture, serial number of the product.



Serial number is located on the rear of the product, on the package and the warranty card.

- ❶ The first two letters-correspondence to the product group (electric grill - EG).
- ❷ The first two digits – year of manufacture.
- ❸ The second two digits – month of manufacture.
- ❹ The last two digits – serial number of product.



To avoid misunderstandings, we highly recommend you to read carefully the instruction manual and the warranty obligations. Check the correctness of the warranty card. Warranty card is valid only if the following are correctly and clearly stated: model, serial number, date of purchase, clear stamps, buyer's signature. The serial number and the model of the device must be the same as in the warranty card. If these conditions are not fulfilled or the data specified in the warranty card was changed, the warranty card is invalid.



If you have questions or problems with OURSSON products - please contact us by e-mail:  
[support@oursson.com](mailto:support@oursson.com)

This manual is under protection of international and EU copyright law. Any unauthorized use of the instructions, including copying, printing and distribution, but not limited to, involves the application of the guilty person to civil liability and criminal liability.

Contact information:

1. Manufacturer of goods - Ningbo Anbo United Electric Appliance Co., Ltd. Made in PRC.
2. Certification information product available on the website [www.oursson.com](http://www.oursson.com).

OURSSON  
Made in PRC



## ИНСТРУКЦИЯ ПО БЕЗОПАСНОСТИ, Рис. А

RU



### Символ опасности

Напоминание пользователю о высоком напряжении.



### Символ предупреждения

Напоминание пользователю о необходимости проведения всех действий в соответствии с инструкцией.



### Символ опасности ожога

Напоминание пользователю о высокой температуре.

При использовании электрических приборов следует соблюдать следующие меры предосторожности:

- Используйте прибор согласно данному руководству по эксплуатации.
- Устанавливайте прибор на устойчивую поверхность.
- Используйте только приспособления, входящие в комплект устройства.



- Чтобы предотвратить риск пожара или удара током, избегайте попадания в устройство воды и эксплуатации устройства в условиях высокой влажности. Если по каким-то причинам вода попала внутрь устройства, обратитесь в уполномоченный сервисный центр (УСЦ) OURSSON.

- Для электропитания прибора используйте электросеть с надлежащими характеристиками.
- Не используйте прибор в помещениях, где в воздухе могут содержаться пары легко воспламеняющихся веществ.



- Никогда самостоятельно не вскрывайте устройство – это может стать причиной поражения электрическим током, привести к выходу прибора из строя и аннулирует гарантийные обязательства производителя. Для ремонта и технического обслуживания обращайтесь только в сервисные центры, уполномоченные для ремонта изделий торговой марки OURSSON.

- При перемещении устройства из прохладного помещения в теплое и наоборот распакуйте его перед началом эксплуатации и подождите 1-2 часа, не включая.



- В целях предотвращения поражения электрическим током не допускайте погружения проводов или всего изделия в воду.

- Будьте особенно осторожны и внимательны, если рядом с работающим прибором находятся дети.



- Не дотрагивайтесь до горячих поверхностей прибора, это может привести к травме.

- Шнур питания специально сделан относительно коротким во избежание риска получения травмы.
- Не допускайте свисания шнура через острый край стола или его касания нагретых поверхностей.
- Не подключайте данный прибор к сети, перегруженной другими электроприборами: это может привести к тому, что прибор не будет функционировать должным образом.
- Не устанавливайте изделие вблизи газовых и электрических плит, а также духовок.
- Не используйте прибор при поврежденном шнуре питания, а также в случаях, если нарушена нормальная работа изделия, если оно падало или было повреждено каким-либо другим образом.

- При отключении изделия от сети держитесь только за вилку, не тяните за провод – это может привести к повреждению провода или розетки и вызвать короткое замыкание.
- По окончании использования отключите изделие от сети.
- Оберегайте устройство от ударов, падений, вибраций и иных механических воздействий.
- Обязательно отключайте устройство от сети перед началом мойки.
- Не используйте изделие вне помещений.
- Этот прибор не предназначен для использования людьми (включая детей) с ограниченными физическими, сенсорными или умственными способностями, или нехваткой опыта и знаний. Они могут пользоваться прибором только под наблюдением человека, ответственного за их безопасность, или после инструктажа по безопасному использованию прибора. Не позволяйте детям играть с изделием.
- Настоящее изделие предназначено только для использования в быту.
- Не используйте при чистке прибора абразивные материалы и органические чистящие средства (спирт, бензин и т.д.). Для чистки корпуса прибора допускается использование небольшого количества нейтрального моющего средства.

## РЕКОМЕНДАЦИИ

- Перед использованием устройства внимательно ознакомьтесь с руководством пользователя. После чтения, пожалуйста, сохраните его для использования в будущем.
- Все иллюстрации, приведенные в данной инструкции, являются схематичными изображениями реальных объектов, которые могут отличаться от их реальных изображений.



**Не оставляйте работающий прибор без присмотра.**

- Подключайте прибор к сетевой розетке, имеющей заземление, Рис. А
- Установите прибор на горизонтальной ровной поверхности; на высоте, не достигаемой детьми, оставляя свободное пространство вокруг прибора ~ 30-40 см для предотвращения перегрева. Не переворачивайте прибор во время работы.
- Перед использованием полностью размотайте кабель электропитания.
- Не готовьте продукты в фольге.
  - Не накрывайте прибор во время работы - это может вызвать пожар. Не помещайте в прибор посторонние предметы: бумагу, картон, пластик, полотенца и т.д.



Во время работы прибор нагревается. Не прикасайтесь к горячим поверхностям прибора. Беритесь только за ручку. Соблюдайте осторожность во время приготовления.



Эксплуатация данного прибора ни в коем случае не подразумевает применение к нему физической силы, так как это может привести к поломке изделия по вине пользователя.

## КОМПЛЕКТАЦИЯ

Электрический гриль ..... 1 шт.  
Инструкция по эксплуатации..... 1 шт.  
Гарантийный талон..... 1 шт.

## ЭЛЕМЕНТЫ КОНСТРУКЦИИ, Рис. В

- 1 Нагревательный элемент
- 2 Съёмные нагревательные пластины
- 3 Индикатор работы
- 4 Индикатор нагрева
- 5 Панель управления
- 6 Паз для стока жира/масла
- 7 Ручка
- 8 Кнопки фиксации нагревательных пластин
- 9 Регулятор высоты закрытия крышки
- 10 Фиксатор открытия крышки на 180°
- 11 Съёмный поддон для жира

## ИСПОЛЬЗОВАНИЕ

### Панель управления, Рис. В-5



**Регулятор температуры приготовления.**  
Максимальная температура - 230°C






**Таймер** Таймер, выбор времени от 0 до 30 минут

Регулятор высоты закрытия крышки, Рис. В-9.  
LOW – Низкое положение крышки гриля  
HIGH – Высокое положение крышки гриля  
LOCK – Блокировка открытия крышки  
OPEN – Снятие блокировки открытия крышки


### ПОДГОТОВКА К РАБОТЕ, Рис. С

**Перед первым использованием протрите корпус прибора сухой и мягкой тканью.** Нажмите с обеих сторон на кнопки фиксации нагревательных пластин, снимите их, Рис.С-1. Достаньте поддон для жира, Рис.С-2. Нагревательные пластины и поддон для жира промойте теплой водой с добавлением жидкости для мытья посуды. Тщательно высушите все детали. Установите их обратно. Перед сборкой или разборкой прибора убедитесь, что прибор выключен из розетки. Включите пустой прибор на 5-10 минут, чтобы удалить запахи нового прибора. Для этого поверните регулятор температуры на максимум и регулятор таймера на необходимое время. Проветрите помещение. Дайте прибору остыть.

## ПОРЯДОК РАБОТЫ

1. Включите вилку прибора в розетку. Удостоверьтесь, что поддон для жира установлен, а крышка находится в закрытом положении.
2. Установите необходимую температуру с помощью регулятора , а также время с помощью регулятора . Загорится индикатор включения . Когда прибор достигнет заданной температуры, загорится индикатор , гриль готов к использованию.
3. Откройте гриль, потянув вверх за ручку. При необходимости смажьте нагревательные пластины небольшим количеством масла или другого жира. Использование масла/жира не является обязательным, т.к. нагревательные пластины выполнены с использованием технологии антипригарного покрытия. Поместите заранее приготовленные продукты на нагревательные пластины. Опустите крышку вниз. Начнется процесс приготовления.

### ПРИМЕЧАНИЯ:




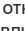

- При необходимости отрегулируйте с помощью регулятора  высоту закрывания крышки.
- Если требуется увеличение площади приготовления, нажмите на фиксатор открытия крышки и разложите гриль на 180°. **Рекомендуется производить данную операцию до подключения устройства к электрической сети.**



Проверить готовность блюда можно в любой момент, приподняв крышку. Будьте внимательны, чтобы горячий воздух или брызги жира не попали на кожу.

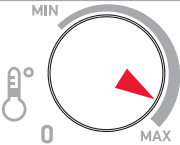
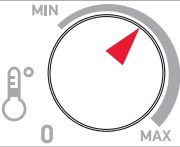
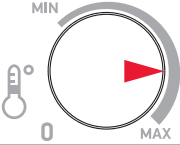
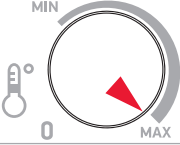
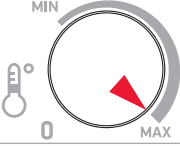



Не используйте острые предметы, так как это может повредить антипригарное покрытие, Рис. А.

- В процессе приготовления индикатор нагрева  может гаснуть. Это указывает на поддержание необходимой температуры.
4. По окончании приготовления откройте гриль. С помощью специальных кухонных принадлежностей (пластиковых, силиконовых или деревянных) переложите готовое блюдо с гриля на тарелку. Поверните регулятор температуры в положение , а регулятор таймера в положение . Индикатор  погаснет. Перед отключением прибора от сети всегда устанавливайте регулятор температуры в положение .
  5. Отключите прибор от сети.

## РЕКОМЕНДАЦИИ ПО ПРИГОТОВЛЕНИЮ

- Перед приготовлением рекомендуется продукты помыть, порезать и при необходимости замариновать.
- Время приготовления в таблице носит рекомендательный характер и может отличаться в зависимости от рецепта и личных предпочтений.
- При использовании гриля в разложенном на 180° положении время приготовления увеличивается. Периодически переворачивайте ингредиенты во время приготовления.

Наименование продукта	Вид приготовления	Время приготовления
Овощи, грибы		9-17 мин.
Тосты, бутерброды		4-9 мин.
Рыба		4-12 мин.
Сосиски, колбаски		5-10 мин.
Мясо		10-25 мин.
Курица		25-30 мин.

**Примечание:** Замороженные продукты перед приготовлением на гриле необходимо полностью разморозить.

## ЧИСТКА И УХОД, Рис. D



Очищайте все детали прибора сразу после его использования.

- Убедитесь, что регулятор температуры находится в положении 0, а переключатель времени в положение . Отключите прибор от сети. **Дайте прибору полностью остыть.**
- Нажмите с обеих сторон на кнопки фиксации нагревательных пластин, снимите их, Рис.С-1. Достаньте поддон для жира, Рис.С-2.

Нагревательные пластины и поддон для жира промойте теплой водой с добавлением жидкости для мытья посуды. Их можно мыть в посудомоечной машине. **Температура в посудомоечной машине не должна превышать 60° С.**

- Корпус прибора протрите влажной и мягкой тканью.
- Никогда не погружайте прибор в воду из-за опасности поражения током.**
- После очистки тщательно высушите все элементы конструкции прибора.
- Храните изделие с закрытой крышкой.

## ВОЗМОЖНЫЕ НЕПОЛАДКИ И СПОСОБЫ ИХ УСТРАНЕНИЯ

Возможная проблема	Возможная причина	Способы решения
Прибор не включается	Отсутствует напряжение в сети электропитания.	• Отключите прибор от сети электропитания и дождитесь нормализации напряжения.
Мясо не пропеклось	Слишком толстые куски мяса	• Нарежьте мясо небольшими кусочками. • Увеличьте время приготовления мяса.

## СЕРТИФИКАЦИЯ ПРОДУКЦИИ

Информацию о сертификате соответствия смотрите на сайте <http://www.oursson.com/rus/ru/about/partners/certificates/#tab0> или спрашивайте копию у продавца.

Технические характеристики	
Модель	EG2030S
Максимальная потребляемая мощность, Вт	Max 2000
Параметры электропитания	220-240 В ~ ; 50/60Гц
Тип нагревательного элемента	ТЭН
Съемные нагревательные пластины	да
Температура хранения и транспортировки	от -25°С до +35°С
Температура эксплуатации	от +5°С до +35°С
Требования к влажности воздуха при транспортировке, хранении и эксплуатации	15-75% без образования конденсата
Класс защиты	I
Размер прибора, мм	355x348x155
Вес прибора, кг	3,8

\*Продукция должна храниться в сухих, проветриваемых складских помещениях при температуре не ниже - 25°С.



Ремонт прибора должен производиться только квалифицированным специалистом уполномоченного сервисного центра OURSSON.

## СЕРВИСНОЕ ОБСЛУЖИВАНИЕ

Компания OURSSON выражает вам огромную признательность за выбор нашей продукции. Мы сделали все возможное, чтобы данное изделие удовлетворяло вашим запросам, а качество соответствовало лучшим мировым образцам. В случае, если ваше изделие марки OURSSON будет нуждаться в техническом обслуживании, просим вас обращаться в один из Уполномоченных Сервисных Центров (далее – УЦЦ). С полным списком УЦЦ и их точными адресами вы можете ознакомиться на сайте [www.oursson.ru](http://www.oursson.ru), а также позвонив по номеру телефона бесплатной горячей линии OURSSON. В случае возникновения вопросов или проблем, связанных с продукцией OURSSON, просим вас обращаться в письменном виде в организацию, уполномоченную на принятие и удовлетворение требований потребителей в отношении товара ненадлежащего качества, либо по электронной почте [info@oursson.ru](mailto:info@oursson.ru).

### Условия Гарантийных обязательств OURSSON:

1. Гарантийные обязательства OURSSON, предоставляемые УЦЦ OURSSON, распространяются только на модели, предназначенные OURSSON для производства или поставок и реализации на территории страны, где предоставляется гарантийное обслуживание, приобретенные в этой стране, прошедшие сертификацию на соответствие стандартам этой страны, а также маркированные официальными знаками соответствия.
2. Гарантийные обязательства OURSSON действуют в рамках законодательства о защите прав потребителей и регулируются законодательством страны, на территории которой они предоставлены, и только при условии использования изделия исключительно для личных, семейных или домашних нужд. Гарантийные обязательства OURSSON не распространяются на случаи использования товаров в целях осуществления предпринимательской деятельности либо в связи с приобретением товаров в целях удовлетворения потребностей предприятий, учреждений, организаций.
3. OURSSON устанавливает на свои изделия следующие сроки службы и гарантийные сроки:

Название продукта	Срок службы, месяцев со дня покупки	Гарантийный срок, месяцев со дня покупки
Микроволновые печи, хлебопечи, индукционные плиты	60	12
Мультиварки, кухонные процессоры, кухонные машины, электрические чайники, электрические грили, блендеры, миксеры, мясорубки, тостеры, термопоты, ростеры, кофеварки, пароварки, соковыжималки, измельчители, дегидраторы, йогуртницы, ферментаторы	36	12

Название продукта	Срок службы, месяцев со дня покупки	Гарантийный срок, месяцев со дня покупки
минидуховки, морозильники, холодильники, автоматические кофемашины, вспениватели	36	12
Кухонные весы, сифоны	24	12

4. Гарантийные обязательства OURSSON не распространяются на перечисленные ниже принадлежности изделия, если их замена предусмотрена конструкцией и не связана с разборкой изделия:
  - Элементы питания.
  - Чехлы, ремни, шнуры для переноски, монтажные приспособления, инструмент, документацию, прилагаемую к изделию.
  - Аксессуары, входящие в комплект изделия, за исключением их отсутствия или наличия производственного брака.
5. Гарантия не распространяется на недостатки, возникшие в изделии вследствие нарушения потребителем правил использования, хранения или транспортировки товара, действия третьих лиц или непреодолимой силы, включая, но не ограничиваясь следующими случаями:
  - Если недостаток товара явился следствием небрежного обращения, применения товара не по назначению, нарушения условий и правил эксплуатации, изложенных в инструкции по эксплуатации, в том числе вследствие воздействия высоких или низких температур, высокой влажности или запыленности, следов вскрытия корпуса прибора и/или самостоятельного ремонта, несоответствия Государственным стандартам параметров питающих сетей, попадания внутрь корпуса жидкости, насекомых и других посторонних предметов, веществ, а также длительного использования изделия в предельных режимах его работы.
  - Повреждения и дефекты, вызванные качеством воды и отложением накипи (очистка от накипи и чистка не входит в гарантийное обслуживание и должна РЕГУЛЯРНО производиться Вами самостоятельно).
  - Если недостаток товара явился следствием несанкционированного тестирования товара или попыток внесения любых изменений в его конструкцию или его программное обеспечение, в том числе ремонта или технического обслуживания в неуполномоченной OURSSON ремонтной организации.
  - Если недостаток товара явился следствием использования нестандартных (нетиповых) и (или) некачественных принадлежностей, аксессуаров, запасных частей, элементов питания.
  - Если недостаток товара связан с его применением совместно с дополнительным оборудованием (аксессуарами), отличным от дополнительного оборудования, рекомендованного OURSSON к применению с данным товаром. OURSSON не несет ответственность за качество дополнительного

оборудования (аксессуаров), произведенного третьими лицами, за качество работы своих изделий совместно с таким оборудованием, а также за качество работы дополнительного оборудования производства компании OURSSON совместно с изделиями других производителей.

- Недостатки товара, обнаруженные в период срока службы, устраняются уполномоченными на это ремонтными организациями (УСЦ). В течение гарантийного срока устранение недостатков производится бесплатно при предъявлении оригинала заполненного гарантийного талона и документов, подтверждающих факт и дату заключения договора розничной купли-продажи (товарный, кассовый чек и т. п.). В случае отсутствия указанных документов гарантийный срок исчисляется со дня изготовления товара. При этом следует учитывать:
  - Настройка и установка (сборка, подключение и т. п.) изделия, описанная в документации, прилагаемой к нему, не входит в объем гарантийных обязательств OURSSON и могут быть выполнены как самим пользователем, так и специалистами большинства уполномоченных сервисных центров соответствующего профиля на платной основе.
  - Работы по техническому обслуживанию изделий (чистка и смазка движущихся частей, замена расходных материалов и принадлежностей и т. п.) производятся на платной основе.
- OURSSON не несет ответственности за возможный вред, прямо или косвенно нанесенный своей продукцией людям, домашним животным, имуществу в случае, если это произошло в результате несоблюдения правил и условий эксплуатации, хранения, транспортировки или установки изделия; умышленных или неосторожных действий потребителя или третьих лиц.
- Ни при каких обстоятельствах OURSSON не несет ответственности за какой-либо особый, случайный, прямой или косвенный ущерб или убытки, включая, но не ограничиваясь перечисленным, упущенную выгоду, убытки, вызванные перерывами в коммерческой, производственной или иной деятельности, возникающие в связи с использованием или невозможностью использования изделия.
- Вследствие постоянного совершенствования продукции элементы дизайна и некоторые технические характеристики продукта могут быть изменены без предварительного уведомления со стороны производителя.

#### Использование изделия по истечении срока службы

- Срок службы, установленный OURSSON для данного изделия, действует только при условии использования изделия исключительно для личных, семейных или домашних нужд, а также соблюдении потребителем правил эксплуатации, хранения и транспортировки изделия. При условии аккуратного обращения с изделием и соблюдения правил эксплуатации фактический срок службы может превышать срок службы, установленный OURSSON.
- По окончании срока службы изделия вам необходимо обратиться в Уполномоченный сервисный центр для проведения профилактического обслуживания

изделия и определения его пригодности к дальнейшей эксплуатации. Работы по профилактическому обслуживанию изделия и его диагностике выполняются сервисными центрами на платной основе.

- OURSSON не рекомендует продолжать эксплуатацию изделия по окончании срока службы без проведения его профилактического обслуживания в Уполномоченном сервисном центре, т. к. в этом случае изделие может представлять опасность для жизни, здоровья или имущества потребителя.

#### Утилизация изделия

Этот бытовой электроприбор имеет обозначение согласно требованиям Директивы ЕС 2002/96/EG об отслуживших свой срок электрических и электронных приборах (waste electrical and electronic equipment – WEEE). После окончания срока службы изделия его нельзя выбрасывать вместе с обычным бытовым мусором. Вместо этого оно подлежит сдаче на утилизацию в соответствующий пункт приема электрического и электронного оборудования для последующей переработки и утилизации в соответствии с федеральным или местным законодательством. Обеспечивая правильную утилизацию данного продукта, вы помогаете сберечь природные ресурсы и предотвращаете ущерб для окружающей среды и здоровья людей, который возможен в случае ненадлежащего обращения. Более подробную информацию о пунктах приема и утилизации данного продукта можно получить в местных муниципальных органах или на предприятии по вывозу бытового мусора.



#### Дата производства

Каждому изделию присваивается уникальный серийный номер в виде буквенно-цифрового ряда и дублируется штрих-кодом, который содержит следующую информацию: название товарной группы, дату производства, порядковый номер изделия.



Серийный номер располагается на задней панели продукта, на упаковке и в гарантийном талоне.

- Первые две буквы – соответствие товарной группе (электрический гриль - EG).
- Первые две цифры – год производства.
- Вторые две цифры – месяц производства.
- Последние цифры – порядковый номер изделия.





Во избежание недоразумений убедительно просим вас внимательно изучить Руководство по эксплуатации изделия и условия гарантийных обязательств, проверить правильность заполнения гарантийного талона. Гарантийный талон действителен только при наличии правильно и четко указанных: модели, серийного номера изделия, даты покупки, четких печатей фирмы-продавца, подписи покупателя. Серийный номер и модель изделия должны соответствовать указанным в гарантийном талоне. При нарушении этих условий, а также в случае, когда данные, указанные в гарантийном талоне, изменены или стерты, талон признается недействительным.

# oursson®

Горячая линия OURSSON обеспечивает полную информационную поддержку деятельности компании в России, странах СНГ и Балтии. Профессиональные операторы быстро ответят на любой интересующий вас вопрос. Вы можете обращаться в единый центр по вопросам сервисного сопровождения, для рекомендаций специалистов по настройке и подключению, для информирования о местах продаж, с вопросами о рекламных акциях и розыгрышах, проводимых компанией, а также с любыми другими вопросами о деятельности компании на территории России, стран СНГ и Балтии.

Есть вопросы? Звоните, мы поможем!

Телефон горячей линии OURSSON (бесплатные звонки со стационарных телефонов):

**8 800 100 8 708**

Время работы горячей линии:

понедельник-пятница с 10:00 до 20:00 (по московскому времени); без выходных, 7 дней в неделю.

Настоящая инструкция является объектом охраны в соответствии с международным и российским законодательством об авторском праве. Любое несанкционированное использование инструкции, включая копирование, тиражирование и распространение, но не ограничиваясь этим, влечет применение к виновному лицу гражданско-правовой ответственности, а также уголовной ответственности в соответствии со статьей 146 УК РФ и административной ответственности в соответствии со статьей 7.12 КоАП РФ (ст.150.4 КоАП в старой редакции).

Контактная информация:

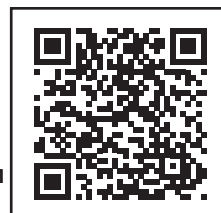
1. Изготовитель товара – Ningbo Anbo United Electric Appliance Co., Ltd. Изготовлено в КНР.
2. Организация, уполномоченная на принятие и удовлетворение требований потребителей в отношении товара ненадлежащего качества (уполномоченное изготовителем лицо), – ООО «ОРСОН», 125445, Москва, Ленинградское шоссе, д. 65, стр. 3.
3. Информация о сертификации продукта доступна на сайте [www.oursson.com](http://www.oursson.com).
4. Импортёр продукции OURSSON: РФ и/или страны ETC: смотрите информацию на упаковке товара.

OURSSON  
Сделано в КНР

[forum.oursson.ru](http://forum.oursson.ru)



Скачайте мобильное приложение с рецептами к технике Oursson







[www.oursson.com](http://www.oursson.com)

