

microlife®



BP B2 Standard

Blood Pressure Monitor

EN	→	1
RU	→	9
BG	→	19

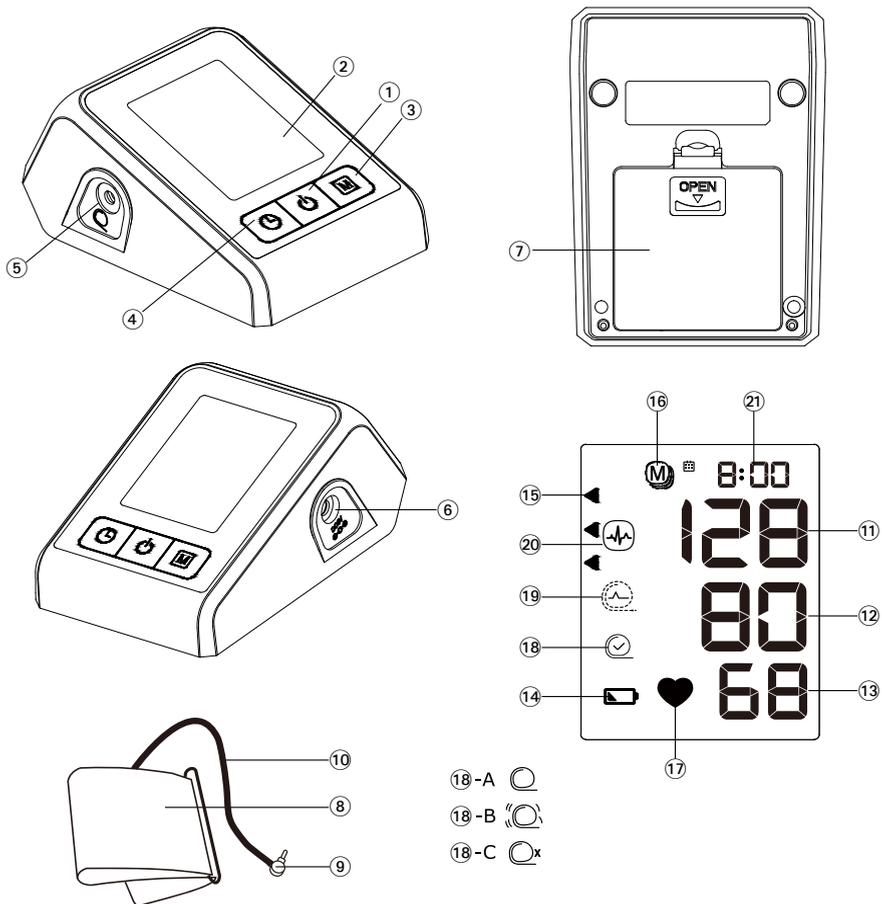
Microlife AG
Esenstrasse 139
9443 Widnau / Switzerland
www.microlife.com

Microlife UAB
P. Lukšio g. 32,
08222 Vilnius
Lithuania

CE0044 EAC



IB BP B2 Standard BY-V3 2022
Revision Date: 2022-06-24



Name of Purchaser / Ф.И.О. покупателя /
Име на купувача

Serial Number / Серийный номер /
Сериен номер

Date of Purchase / Дата покупки / Дата на
закупуване

Specialist Dealer / Специализированный дилер /
Специалист дистрибутор

- ① ON/OFF button
- ② Display
- ③ M-button (memory)
- ④ Time button
- ⑤ Cuff socket
- ⑥ Mains Adapter Socket
- ⑦ Battery compartment
- ⑧ Cuff
- ⑨ Cuff connector
- ⑩ Cuff tube

Display

- ⑪ Systolic value
- ⑫ Diastolic value
- ⑬ Pulse rate
- ⑭ Battery display
- ⑮ Traffic light indicator
- ⑯ Stored value
- ⑰ Pulse indicator
- ⑰ Cuff fit check
 - A: Suboptimal cuff fit
 - B: Arm movement indicator «ERR 2»
 - C: Cuff pressure check «ERR 3»
- ⑱ Cuff signal indicator «ERR 1»
- ⑲ Irregular heartbeat (IHB) symbol
- ⑳ Date/Time



Read the important information in this instructions for use before using this device. Follow the instructions for use for your safety and keep it for future reference.



Type BF applied part



Keep dry



Manufacturer

Batteries and electronic devices must be disposed of in accordance with the locally applicable regulations, not with domestic waste.



Authorized representative in the European Community



Model number



Catalogue number



Serial number (YYYY-MM-DD-SSSSS; year-month-day-serial number)



Caution



Temperature limitation



Humidity limitation



Medical device



Keep away from children of age 0 - 3

CE 0044

CE Marking of Conformity



A single mark of product circulation on the market of the Eurasian Economic Union member state.



Non-corrugated paperboard

Intended use:

This oscillometric blood pressure monitor is intended for measuring non-invasive blood pressure in people aged 12 years or older.

Dear Customer,

This device was developed in collaboration with physicians and clinical tests carried out prove its measurement accuracy to be of a very high standard.*

If you have any questions, problems or want to order spare parts please contact your local Microlife-Customer Service. Your dealer or pharmacy will be able to give you the address of the Microlife dealer in your country. Alternatively, visit the internet at www.microlife.com where you will find a wealth of invaluable information on our products.

Stay healthy – Microlife AG!

** This device uses the same measuring technology as the award winning «BP 3BTO-A» model tested according to the British and Irish Hypertension Society (BIHS) protocol.*

Table of contents

1. Important facts about blood pressure

2. Using the device for the first time

- Inserting the batteries
- Setting the date and time
- Selecting the correct cuff

3. Checklist for taking a reliable measurement

4. Taking a blood pressure measurement

- Manual inflation
- How not to store a reading
- How do I evaluate my blood pressure

5. Appearance of the irregular heartbeat (IHB) symbol

6. Data memory

- Viewing the stored values
- Clearing all values

7. Battery indicator and battery change

- Low battery

Flat battery - replacement

Which batteries and which procedure?

8. Using a mains adapter

9. Error messages

10. Safety, care, accuracy test and disposal

- Device care
- Cleaning the cuff
- Accuracy test
- Disposal

11. Guarantee

12. Technical specifications

1. Important facts about blood pressure

- **Blood pressure** is the pressure of the blood flowing in the arteries generated by the pumping of the heart. Two values, the **systolic** (upper) value and the **diastolic** (lower) value, are always measured.
- The device indicates the **pulse rate** (the number of times the heart beats in a minute).
- **Permanently high blood pressure values can damage your health and must be treated by your doctor!**
- Always discuss your values with your doctor and tell him/her if you have noticed anything unusual or feel unsure. **Never rely on single blood pressure readings.**
- There are several causes of excessively **high blood pressure values**. Your doctor will explain them in more detail and offer treatment where appropriate.
- **Under no circumstances should you alter the dosages of drugs or initiate a treatment without consulting your doctor.**
- Depending on physical exertion and condition, blood pressure is subject to wide fluctuations as the day progresses. **You should therefore take your measurements in the same quiet conditions and when you feel relaxed!** Take at least two readings every time (in the morning: before taking medications and eating / in the evening: before going to bed, bathing or taking medication) and average the measurements.
- It is quite normal for two measurements taken in quick succession to produce significantly **different results**.

- **Deviations** between measurements taken by your doctor or in the pharmacy and those taken at home are quite normal, as these situations are completely different.
 - **Several measurements** provide much more reliable information about your blood pressure than just one single measurement.
 - **Leave a small break** of 5 minutes between two measurements.
 - If you suffer from an **irregular heartbeat** (arrhythmia, see Section «Appearance of the irregular heartbeat (IHB) symbol»), measurements taken with this device should be evaluated with your doctor.
 - **The pulse display is not suitable for checking the frequency of heart pacemakers!**
 - If you are **pregnant**, you should monitor your blood pressure regularly as it can change drastically during this time.
-  **A number of factors can affect the accuracy of measurements taken on the wrist.** In some cases, the result may differ from the measurement taken on the upper arm. We therefore advise you to compare these values with those produced by the upper arm measurement and discuss them with your doctor.

2. Using the device for the first time

Inserting the batteries

After you have unpacked your device, first insert the batteries. The battery compartment (7) is on the bottom of the device. Insert the batteries (4 x 1.5 V, size AAA), thereby observing the indicated polarity.

Setting the date and time

1. After the new batteries are fitted, the year number flashes in the display. You can set the year by pressing the M-button (3). To confirm and then set the month, press the time button (4).
2. Press the M-button to set the month. Press the time button to confirm and then set the day.
3. Follow the instructions above to set the day, hour and minutes.
4. Once you have set the minutes and pressed the time button, the date and time are set and the time is displayed.
5. If you want to change the date and time, press and hold the time button for approx. 3 seconds until the year number starts to flash. Now you can enter the new values as described above.

Selecting the correct cuff

Microlife offers different cuff sizes. Select the cuff size to match the circumference of your upper arms (measured by close fitting in the centre of the upper arm).

Cuff size	for circumference of upper arm
M	22 - 32 cm
M - L	22 - 42 cm

-  Pre-shaped cuffs are optionally available.
 -  Only use Microlife cuffs.
 -  This device is not compatible with other Microlife cuff sizes except M and M-L.
- ▶ Contact your local Microlife Service if the enclosed cuff (8) does not fit.
 - ▶ Connect the cuff to the device by inserting the cuff connector (9) into the cuff socket (5) as far as it will go.

3. Checklist for taking a reliable measurement

- ▶ Avoid activity, eating or smoking immediately before the measurement.
- ▶ Sit down on a back-supported chair and relax for 5 minutes. Keep the feet flat on the floor and do not cross your legs.
- ▶ **Always measure on the same arm** (normally left). It is recommended that doctors perform double arm measurements on a patient's first visit in order to determine which arm to measure in the future. The arm with the higher blood pressure should be measured.
- ▶ Remove close-fitting garments from the upper arm. To avoid constriction, shirt sleeves should not be rolled up - they do not interfere with the cuff if they are laid flat.
- ▶ Always ensure that the correct cuff size is used (marking on the cuff).
 - Fit the cuff closely, but not too tight.
 - Make sure that the cuff is positioned 1-2 cm above the elbow.
 - The **artery mark** on the cuff must lie over the artery which runs down the inner side of the arm.
 - Support your arm so it is relaxed.
 - Ensure that the cuff is at the same height as your heart.

4. Taking a blood pressure measurement

1. Press the ON/OFF button ① to start the measurement.
2. The cuff will now pump up automatically. Relax, do not move and do not tense your arm muscles until the measurement result is displayed. Breathe normally and do not talk.
3. The cuff fit check ⑰ on the display indicates that the cuff is perfectly placed. If the icon ⑱-A appears, the cuff is fitted suboptimally, but it is still ok to measure.
4. When the correct pressure is reached, the pumping stops and the pressure falls gradually. If the required pressure was not reached, the device will automatically pump some more air into the cuff.
5. During the measurement, the pulse indicator ⑰ flashes in the display.
6. The result, comprising the systolic ⑪ and the diastolic ⑫ blood pressure and the pulse rate ⑬ are displayed. Note also the explanations on further display symbols in this booklet.
7. When the device has finished measuring, remove the cuff.
8. Switch off the device. (The monitor does switch off automatically after approx. 1 min.).

☞ You can stop the measurement at any time by pressing the ON/OFF button or open the cuff (e.g. if you feel uneasy or an unpleasant pressure sensation).

Manual inflation

In case of high systolic blood pressure (e.g. above 135 mmHg), it can be an advantage to set the pressure individually. Press the ON/OFF button after the monitor has been pumped up to a level of approx. 30 mmHg (shown on the display). Keep the button pressed until the pressure is about 40 mmHg above the expected systolic value – then release the button.

How not to store a reading

As soon as the reading is displayed press and hold the ON/OFF button ① until «M» ⑩ is flashing. Confirm to delete the reading by pressing the time button ④.

☞ «CL» is displayed when the reading is deleted from the memory successfully.

How do I evaluate my blood pressure

The triangle on the left-hand edge of the display ⑮ points at the range within which the measured blood pressure value lies. The value is either within the optimum (white), elevated (hatched gray) or high (black) range. The classification corresponds to the

following ranges defined by international guidelines (ESH, ESC, JSH). Data in mmHg.

Range	Systolic	Diastolic	Recommendation
1. blood pressure too high	≥135	≥85	Seek medical advice
2. blood pressure elevated	130 - 134	80 - 84	Self-check
3. blood pressure normal	<130	<80	Self-check

The higher value is the one that determines the evaluation. Example: a blood pressure value of 140/80 mmHg or a value of 130/90 mmHg indicates «blood pressure too high».

5. Appearance of the irregular heartbeat (IHB) symbol

This symbol ⑲ indicates that an irregular heartbeat was detected. In this case, the measured blood pressure may deviate from your actual blood pressure values. It is recommended to repeat the measurement.

Information for the doctor in case of repeated appearance of the IHB symbol:

This device is an oscillometric blood pressure monitor that also measures the pulse during blood pressure measurement and indicates when the heart rate is irregular.

6. Data memory

This device automatically stores the last 30 measurement values.

Viewing the stored values

Press the M-button ③ briefly, when the device is switched off. The display first shows «M» ⑩, and «A» which stands for the average of all stored values.

Pressing the M-button again displays the previous value. Pressing the M-button repeatedly enables you to move from one stored value to another.

☞ Blood pressure readings with suboptimal cuff fit ⑱-A are not considered in the average value.

☞ Pay attention that the maximum memory capacity of 30 memories is not exceeded. **When the 30 memory is full, the oldest value is automatically overwritten with the 31 value.** Values should be evaluated by a doctor before the memory capacity is reached – otherwise data will be lost.

Clearing all values

If you are sure that you want to permanently remove all stored values, hold down the M-button (the device must have been switched off beforehand) until «CL ALL» appears and then release the button. To permanently clear the memory, press the time button while «CL ALL» is flashing. **Individual values cannot be cleared.**

☞ **Cancel deletion:** press ON/OFF button ① while «CL ALL» is flashing.

7. Battery indicator and battery change

Low battery

When the batteries are approximately ¾ empty the battery symbol ⑭ will flash as soon as the device is switched on (partly filled battery displayed). Although the device will continue to measure reliably, you should obtain replacement batteries.

Flat battery - replacement

When the batteries are flat, the battery symbol ⑭ will flash as soon as the device is switched on (flat battery displayed). You cannot take any further measurements and must replace the batteries.

1. Open the battery compartment ⑦ at the back of the device.
2. Replace the batteries – ensure correct polarity as shown by the symbols in the compartment.
3. To set date and time, follow the procedure described in Section «2. Using the device for the first time».

☞ The measurements stored in the memory are deleted when the batteries are removed from the battery compartment (e.g. when replacing batteries).

Which batteries and which procedure?

- ☞ Use 4 new, long-life 1.5 V, size AAA alkaline batteries.
- ☞ Do not use batteries beyond their date of expiry.
- ☞ Remove batteries if the device is not going to be used for a prolonged period.

8. Using a mains adapter

You can operate this device using the Microlife mains adapter (DC 6V, 600 mA).

- ☞ Only use the Microlife mains adapter available as an original accessory appropriate for your supply voltage.
- ☞ Ensure that neither the mains adapter nor the cable are damaged.

1. Plug the adapter cable into the mains adapter socket ⑥ in the blood pressure monitor.
2. Plug the adapter plug into the wall socket.
When the mains adapter is connected, no battery current is consumed.

9. Error messages

If an error occurs during the measurement, the measurement is interrupted and an error message, e.g. «ERR 3», is displayed.

Error	Description	Potential cause and remedy
«ERR 1» ⑱	Signal too weak	The pulse signals on the cuff are too weak. Re-position the cuff and repeat the measurement.*
«ERR 2» ⑱-B	Error signal	During the measurement, error signals were detected by the cuff, caused for instance by movement or muscle tension. Repeat the measurement, keeping your arm still.
«ERR 3» ⑱-C	Abnormal cuff pressure	An adequate pressure cannot be generated in the cuff. A leak may have occurred. Check that the cuff is correctly connected and is not too loose. Replace the batteries if necessary. Repeat the measurement.
«ERR 5»	Abnormal result	The measuring signals are inaccurate and no result can therefore be displayed. Read through the checklist for performing reliable measurements and then repeat the measurement.*
«HI»	Pulse or cuff pressure too high	The pressure in the cuff is too high (over 299 mmHg) OR the pulse is too high (over 200 beats per minute). Relax for 5 minutes and repeat the measurement.*
«LO»	Pulse too low	The pulse is too low (less than 40 beats per minute). Repeat the measurement.*

* Please immediately consult your doctor, if this or any other problem occurs repeatedly.

10. Safety, care, accuracy test and disposal

Safety and protection

- Follow instructions for use. This document provides important product operation and safety information regarding this device. Please read this document thoroughly before using the device and keep for future reference.
- This device may only be used for the purposes described in these instructions. The manufacturer cannot be held liable for damage caused by incorrect application.
- This device comprises sensitive components and must be treated with caution. Observe the storage and operating conditions described in the «Technical specifications» section.
- The cuffs are sensitive and must be handled with care.
- Only pump up the cuff once fitted.
- Do not use this device if you think it is damaged or notice anything unusual.
- Never open this device.
- Read the additional safety information provided within the individual sections of this instruction manual.
- The measurement results given by this device is not a diagnosis. It is not replacing the need for the consultation of a physician, especially if not matching the patient's symptoms. Do not rely on the measurement result only, always consider other potentially occurring symptoms and the patient's feedback. Calling a doctor or an ambulance is advised if needed.



Ensure that children do not use this device unsupervised; some parts are small enough to be swallowed. Be aware of the risk of strangulation in case this device is supplied with cables or tubes.

Contra-indications

Do not use this device if the patient's condition meets the following contra-indications, to avoid inaccurate measurements or injuries.

- The device is not intended for measuring blood pressure in pediatric patients of age younger than 12 years old (children, infant, or neonates).
- Presence of significant cardiac arrhythmia during measurement may interfere with blood pressure measurement and affect the reliability of blood pressure readings. Consult with your doctor about whether the device is suitable for use in this case.

- The device measures blood pressure using a pressured cuff. If the measuring limb suffers from injuries (for example open wounds) or under conditions or treatments (for example intravenous drip) making it unsuitable for surface contact or pressurization, do not use the device, to avoid worsening of the injuries or conditions.
- Patient motions during measurement may interfere with the measurement process and influence results.
- Avoid taking measurements of patients with conditions, diseases, and susceptible to environment conditions that lead to uncontrollable motions (e.g. trembling or shivering) and inability to communicate clearly (for example children and unconscious patients).
- The device uses oscillometric method to determine blood pressure. The arm being measure should have normal perfusion. The device is not intended to be used on a limb with restricted or impaired blood circulation. If you suffer with perfusion or blood disorders, consult your doctor before using the device.
- Avoid taking measurement on the arm on the side of a mastectomy or lymph node clearance.
- Do not use this device in a moving vehicle (for example in a car or on an aircraft).

WARNING

Indicates a potentially hazardous situation, which if not avoided, could result in death or serious injury.

- This device may only be used for the intended uses described in this Instructions for Use. The manufacturer cannot be held liable for damage caused by incorrect application.
- Do not change the patient medication and treatment based the result of one or multiple measurements. Treatment and medication changes should be prescribed only by a medical professional.
- Inspect the device, cuff, and other parts for damage. DO NOT USE the device, cuff or parts if they appear damaged or operating abnormally.
- Blood flow of the arm is temporarily interrupted during measurement. Extended interruption of blood flow reduces peripheral circulation and may cause tissue injury. Beware of signs (for example tissue discoloration) of impeded peripheral circulation if taking measurements continuously or for an extended period of time.

- Prolonged exposure to cuff pressure will reduce peripheral perfusion and may lead to injury. Avoid situations of extended cuff pressurization beyond normal measurements. In the case of abnormally long pressurization, abort the measurement or loose the cuff to depressurize the cuff.
- Do not use this device in oxygen rich environment or near flammable gas.
- The device is not water resistant or water proof. Do not spill or immerse the device in water or other liquids.
- Do not disassemble or attempt to service the device, accessory and parts, during use or in storage. Access to the device internal hardware and software is prohibited. Unauthorized access and servicing of the device, during use or in storage, may compromise the safety and performance of the device.
- Keep the device away from children and people incapable of operating the device. Beware of the risks of accidental ingestion of small parts and of strangulation with the cables and tubes of this device and accessories.
- Protect the device and accessories from the following to avoid damaging the device:
 - water, other liquids, and moisture
 - extreme temperatures
 - impacts and vibrations
 - direct sunlight
 - contamination and dust
- This device has 2 user settings. Please ensure it is cleaned and disinfected between users to prevent any cross contamination.
- Stop using this device and cuff and consult with your doctor if you experience skin irritation or discomfort.

CAUTION

Indicates a potentially hazardous situation which, if not avoided, may result in minor or moderate injury to the user or patient, or cause damage to the device or other property.

- The device is intended only for measuring blood pressure at upper arm. Do not measure other sites because the reading does not reflect your blood pressure accurately.
- After a measurement is completed, loosen the cuff and rest for > 5 minutes to restore limb perfusion, before taking another measurement.
- Do not use this device with other medical electrical (ME) equipment simultaneously. This may cause device malfunction or measurement inaccuracies.
- Do not use this device in proximity of high frequency (HF) surgical equipment, magnetic resonance imaging (MRI) equipment, and computerized tomography (CT) scanners. This may cause device malfunction and measurement inaccuracies.
- Use and store the device, cuff and parts in temperature and humidity conditions specified in the «Technical specifications». Usage and storage of the device, cuff and parts in conditions outside ranges given in the «Technical specifications» may results in device malfunction and the safety of usage.

Electromagnetic Compatibility Information

This device is compliant with EN60601-1-2: 2015 Electromagnetic Disturbances standard.

This device is not certified to be used in vicinity of High Frequency (HF) medical equipment.

Do not use this device close to strong electromagnetic fields and portable radio frequency communication devices (for example microwave oven and mobile devices). Keep a minimum distance of 3.3 m from such devices when using this device.

Device care

Clean the device only with a soft, dry cloth.

Cleaning the cuff

Carefully remove spots on the cuff with a damp cloth and soap-suds.



WARNING: Do not wash the cuff in a washing machine or dishwasher!



WARNING: Do not dry the cuff cover in a tumble dryer!



WARNING: Under no circumstances may you wash the inner bladder!

Accuracy test

We recommend this device is tested for accuracy every 2 years or after mechanical impact (e.g. being dropped). Please contact your local Microlife-Service to arrange the test (see foreword).

Disposal



Batteries and electronic devices must be disposed of in accordance with the locally applicable regulations, not with domestic waste.

11. Guarantee

Guarantee period - please see guarantee card. During this guarantee period, at our discretion, Microlife will repair or replace the defective product free of charge.

Opening or altering the device invalidates the guarantee.

The following items are excluded from the guarantee:

- Transport costs and risks of transport.
- Damage caused by incorrect application or non-compliance with the instructions for use.
- Damage caused by leaking batteries.
- Damage caused by accident or misuse.
- Packaging/storage material and instructions for use.
- Regular checks and maintenance (calibration).
- Accessories and wearing parts: Batteries, power adapter (optional).

The cuff is covered by a functional guarantee (bladder tightness) for 2 years.

Should guarantee service be required, please contact the dealer from where the product was purchased, or your local Microlife service. You may contact your local Microlife service through our website:

www.microlife.com/support

Compensation is limited to the value of the product. The guarantee will be granted if the complete product is returned with the original invoice. Repair or replacement within guarantee does not prolong or renew the guarantee period. The legal claims and rights of consumers are not limited by this guarantee.

12. Technical specifications

Operating conditions:	10 - 40 °C / 50 - 104 °F 15-90 % relative maximum humidity
Storage conditions:	-20 - +55 °C / -4 - +131 °F 15-90 % relative maximum humidity
Weight:	251 g (including batteries)
Dimensions:	124 x 92 x 61 mm
Cuff size:	from 22 - 42 cm according to the cuff sizes (see «Selecting the correct cuff»)
Measuring procedure:	oscillometric, corresponding to Korotkoff method: Phase I systolic, Phase V diastolic

Measurement range: 20 - 280 mmHg – blood pressure
40 - 200 beats per minute – pulse

Cuff pressure display

range: 0 - 299 mmHg

Resolution: 1 mmHg

Static accuracy: within ± 3 mmHg

Pulse accuracy: ± 5 % of the readout value

Voltage source: Mains adapter DC 6V, 600 mA (optional)
4 x 1.5 V alkaline batteries; size AAA (optional)

Battery lifetime: approx. 400 measurements
(using new batteries)

Included: blood pressure monitor, bag (optional), cuff, adapter (optional), 4 x AA batteries (optional), instruction manual, guarantee card, blood pressure diary, cuff-marker

IP Class: IP 20

Reference to standards: EN 10601-1 /-3 /-4; IEC 60601-1;
IEC 60601-1-2 (EMC); IEC 60601-1-11

Expected service life: Device: 12 years or 10000 measurements, whichever comes first
Accessories: 2 years or 5000 measurements, whichever comes first

This device complies with the requirements of the Medical Device Directive 93/42/EEC.

Technical alterations reserved.

- ① Кнопка ВКЛ/ВЫКЛ
- ② Дисплей
- ③ Кнопка M (Память)
- ④ Кнопка Time (Время)
- ⑤ Гнездо для манжеты
- ⑥ Гнездо для блока питания
- ⑦ Отсек для батарей
- ⑧ Манжета
- ⑨ Соединитель манжеты
- ⑩ Трубка для подачи воздуха в манжету

Дисплей

- ① Систолическое давление
- ② Диастолическое давление
- ③ Частота пульса
- ④ Индикатор разряда батарей
- ⑤ Индикатор уровня давления
- ⑥ Сохраненное значение
- ⑦ Индикатор пульса
- ⑧ Проверка размещения манжеты
 - A: Оптимальное положение манжеты
 - B: Индикатор движения руки «ERR 2»
 - C: Контроль давления манжеты «ERR 3»
- ⑨ Индикатор сигнала манжеты «ERR 1»
- ⑩ Символ ИВВ - обнаружения нерегулярного сердцебиения
- ⑪ Дата/Время



Перед использованием этого устройства прочитайте важную информацию в данной инструкции по эксплуатации. В целях безопасности соблюдайте инструкцию по эксплуатации и сохраните её для последующего использования.



Изделие типа BF



Хранить в сухом месте



Производитель



Батарейки и электронные приборы следует утилизировать в соответствии с принятыми нормами и не выбрасывать вместе с бытовыми отходами.



Официальный представитель в Европейском Сообществе



Модель номер



Номер по каталогу



Серийный номер(ГТГГ-ММ-ДД-ССССС; год-месяц-день-серийный номер)



Осторожно



Пределы допустимой температуры



Пределы допустимой влажности



Медицинский прибор



Храните устройство в месте, недоступном для детей в возрасте от 0 до 3 лет.

CE 0044

Сертификация CE

EAC

Единый знак обращения продукции на рынке государств - членов Таможенного союза.



Негофрированный картон

Предназначение:

Этот осциллометрический тонометр предназначен для неинвазивного измерения артериального давления у людей в возрасте 12 лет и старше.

Уважаемый покупатель,

Прибор был разработан в сотрудничестве с врачами, а клинические тесты подтвердили высокую точность его измерений.*

При возникновении вопросов, проблем или для заказа запасных частей, пожалуйста, обращайтесь в местный сервисный центр Microlife. Ваш дилер или аптека могут предоставить Вам адрес сервисного центра Microlife в Вашем регионе. В качестве альтернативы, посетите в Интернете страницу www.microlife.ru, где Вы сможете найти ряд полезных сведений по нашему изделию.

Будьте здоровы – Microlife AG!

** В приборе использована та же технология измерений, что и в отмеченной наградами модели «BP 3ВТО-А», которая успешно прошла клинические испытания в соответствии с протоколом Британского и Ирландского Гипертонического Общества (BHS).*

Оглавление

1. Важная информация об артериальном давлении

2. Использование прибора в первый раз

Установка батареек

Установка даты и времени

Подбор подходящей манжеты

3. Рекомендации для получения надежных результатов измерений

4. Выполнение измерений артериального давления

Накачивание вручную

Как отменить сохранение результата

Как определить артериальное давление

5. Появление символа - IHB (обнаружение нерегулярного сердцебиения)

6. Память

Просмотр сохраненных значений

Удаление всех значений

7. Индикатор разряда батарей и их замена

Батареи почти разряжены

Замена разряженных батарей

Элементы питания и процедура замены

8. Использование блока питания

9. Сообщения об ошибках

10. Техника безопасности, уход, проверка точности и утилизация

Уход за прибором

Очистка манжеты

Проверка точности

Утилизация

11. Гарантия

12. Технические характеристики

1. Важная информация об артериальном давлении

- **Артериальное давление** - это давление крови, подаваемой сердцем в артерии. Всегда измеряются два значения, систолическое (верхнее) давление и диастолическое (нижнее) давление.
- Кроме того, прибор показывает частоту пульса (число ударов сердца в минуту).
- **Постоянно повышенное артериальное давление может нанести ущерб Вашему здоровью, и в этом случае Вам необходимо обратиться к врачу!**
- Всегда сообщайте врачу о Вашем давлении и сообщайте ему/ей, если Вы заметили что-нибудь необычное или чувствуете неуверенность. **Никогда не полагайтесь на результат однократного измерения артериального давления.**
- Существует **несколько причин возникновения** высокого артериального давления. Ваш лечащий врач расскажет о них более подробно и предложит подходящее лечение.

- Ни при каких обстоятельствах не меняйте дозировку лекарств и не занимайтесь самолечением без консультации вашего лечащего врача.
- В зависимости от физических нагрузок и состояния артериальное давление подвержено значительным колебаниям в течение дня. **Поэтому каждый раз, прежде чем измерять давление, необходимо обеспечить спокойную обстановку и расслабиться!** Потребуется не менее двух измерений (утром до еды и приёма лекарств и вечером перед сном, принятием водных процедур или приёмом лекарств) для определения среднего значения.
- Совершенно нормально, если при двух измерениях подряд полученные результаты будут отличаться друг от друга.
- **Расхождения** между результатами измерений, полученными врачом или в аптеке, и результатами, полученными в домашних условиях, также являются вполне нормальными, поскольку ситуации, в которых проводятся измерения, совершенно различны.
- **Несколько измерений обеспечивают** гораздо более надёжную информацию об артериальном давлении, чем одно измерение.
- **Сделайте небольшой перерыв**, в 5 минут между двумя измерениями.
- Если Вы страдаете **нарушением сердцебиения** (аритмия, см Раздел «Появление символа - INВ (обнаружение нерегулярного сердцебиения)»), измерения, сделанные с помощью этого прибора, должны быть оценены Вашим лечащим врачом.
- **Показания пульса не пригодны для использования в качестве контроля частоты кардиостимулятора!**
- Во время **беременности** следует тщательно следить за артериальным давлением, поскольку на протяжении этого периода оно может существенно меняться!

 **При измерении артериального давления на запястье на точность измерений может влиять ряд факторов.** В некоторых случаях результат может отличаться от измерений на плече. Рекомендуется сравнить эти значения с результатами, полученными при измерениях на плече, и проконсультироваться с врачом.

2. Использование прибора в первый раз

Установка батареек

После того, как Вы вынули прибор из упаковки, прежде всего, вставьте батареи. Отсек для батарей  расположен на нижней части прибора. Вставьте батареи (4 х тип AAA 1.5V (В)), соблюдая полярность.

Установка даты и времени

1. После установки новых батарей на дисплее замигает числовое значение года. Год устанавливается нажатием кнопки М . Для того, чтобы подтвердить введенное значение и затем установить месяц, нажмите кнопку Time (Время) .
2. Теперь можно установить месяц нажатием кнопки М. Для того, чтобы подтвердить введенное значение и затем установить день, нажмите кнопку Time (Время).
3. Следуя вышеприведенным инструкциям, установите день, час и минуты.
4. После установки минут и нажатия кнопки Time (Время) на экране появятся дата и время.
5. Для изменения даты и времени нажмите и удерживайте кнопку Time (Время) приблизительно в течение 3 секунд, пока не начнет мигать год. После этого можно ввести новые значения, как это описано выше.

Подбор подходящей манжеты

Microlife предлагает манжеты разных размеров. Выберите манжету, размер которой соответствует обхвату Вашего плеча (измеренному при плотном прилегании посередине плеча).

Размер манжеты	для обхвата плеча
M	22 - 32 cm (cm)
M - L	22 - 42 cm (cm)

-  Дополнительно можно заказать манжету.
-  Пользуйтесь только манжетами Microlife!
-  Это устройство совместимо с манжетами Microlife размеров M и M-L и несовместимо с манжетами других размеров.
- ▶ Обратитесь в местный сервисный центр Microlife, если приложенная манжета  не подходит.
- ▶ Подсоедините манжету к прибору, вставив соединитель манжеты  в гнездо манжеты  до упора.

3. Рекомендации для получения надежных результатов измерений

- ▶ Избегайте физической активности, не ешьте и не курите непосредственно перед измерением.
- ▶ Присядьте на стул со спинкой на пять минут и расслабьтесь. Поставьте ноги на пол ровно и не скрещивайте их.
- ▶ **Всегда проводите измерения на одной и той же руке** (обычно на левой). Рекомендуется, чтобы во время первого визита пациента, врач провел измерения на двух руках, чтобы определить на какой руке нужно производить измерения в дальнейшем. Потом измерения проводятся только на той руке, на которой давление оказалось выше.
- ▶ Снимите облегчающую одежду с плеча. Не следует закатывать рукав рубашки, это может привести к сдавливанию, рукава из тонкой ткани не мешают измерению, если прилегают свободно.
- ▶ Всегда проверяйте, что используется правильный размер манжеты (маркировка на манжете).
 - Плотно наложите манжету, но не слишком туго.
 - Убедитесь, что манжета расположена на 1-2 см (см) выше локтя.
 - **Метка артерии** на манжете должна лежать над артерией, которая находится на внутренней стороне руки.
 - Расположите руку так, чтобы она оставалась расслабленной.
 - Убедитесь, что манжета находится на той же высоте, что и сердце.

4. Выполнение измерений артериального давления

1. Нажмите кнопку ВКЛ/ВЫКЛ ① для начала измерения.
2. Теперь будет произведена автоматическая накачка манжеты. Расслабьтесь, не двигайтесь и не напрягайте руку до тех пор, пока не отобразится результат измерения. Дышите нормально и не разговаривайте.
3. Положение манжеты регистрируется на дисплее ⑱ манжета расположена оптимально. Если появляется значок ⑲-A, манжета установлена достаточно хорошо и можно проводить нормальное измерение.

4. Если измерение успешно завершено, подкачка прекращается и происходит постепенный сброс давления. Если требуемое давление не достигнуто, прибор автоматически произведет дополнительное нагнетание воздуха в манжету.
5. Во время измерения, индикатор пульса ⑰ мигает на дисплее.
6. Затем отображается результат, состоящий из систолического ① и диастолического ⑫ артериального давления, а также пульса ⑬. См. также пояснения по другим показателям дисплея в этой инструкции.
7. По окончании измерения снимите и уберите манжету.
8. Отключите прибор. (Прибор автоматически отключится приблизительно через 1 минуту).
 - ☞ Вы можете остановить измерение в любой момент, нажав кнопку включения / выключения или сняв манжету (например, если вы испытываете неудобство или неприятное ощущение от нагнетаемого давления).

Накачивание вручную

В случае очень высокого систолического давления (например, более 135 мм Hg (мм рт.ст.)), можно уточнить показание тонометра вручную. Для этого: после того, как на дисплее прибора отобразится значение систолического давления около 30 мм Hg (мм рт.ст.), нажмите и держите нажатой кнопку ВКЛ/ВЫКЛ, пока давление не станет примерно на 40 мм Hg (мм рт.ст.) выше ожидаемого систолического значения, затем отпустите кнопку.

Как отменить сохранение результата

Когда результат появится на дисплее, нажмите и держите нажатой кнопку ВКЛ/ВЫКЛ. ① пока кнопка «M» ⑰ не начнет мигать. Подтвердите удаление, нажав кнопку time ④.

☞ «CL» на дисплее прибора означает, что удаление проведено успешно.

Как определить артериальное давление

Треугольник в левой части дисплея ⑲ указывает на диапазон, в которой попадает измеренное артериальное давление. Измеренное давление находится либо в оптимальном (белый), повышенном (заштрихованный серый), либо высоком (черный) диапазоне. Классификация данных по измеренному давлению на диапазоны происходит по

международным директивам (ESH, ESC, JSH). Данные выражены в mm Hg (мм рт.ст.).

Диапазон	Систолическое	Диастолическое	Рекомендация
1. артериальное давление слишком высокое	≥135	≥85	Обратитесь за медицинской помощью
2. повышенное артериальное давление	130 - 134	80 - 84	Самостоятельный контроль
3. артериальное давление в норме	<130	<80	Самостоятельный контроль

Оценка давления определяется по наивысшему значению. Например: давление 140/80 mm Hg (мм рт.ст.) и давление 130/90 mm Hg (мм рт.ст.) оба оцениваются как «артериальное давление очень высокое».

5. Появление символа - ИНВ (обнаружение нерегулярного сердцебиения)

Этот символ (19) указывает на то, что было обнаружено нерегулярное сердцебиение. В этом случае измеренное артериальное давление может отличаться от фактического значения артериального давления. Рекомендуется повторить измерение.

Информация для врача при повторном появлении символа ИНВ:

Это устройство представляет собой осциллометрический прибор для измерения артериального давления, который также измеряет пульс во время измерения артериального давления, и показывает, когда частота сердечных сокращений нерегулярна.

6. Память

Это устройство автоматически сохраняет последние 30 измерений.

Просмотр сохраненных значений

Коротко нажмите кнопку М (3) при выключенном приборе. Сначала на дисплее покажется знак «М» (16) и «А», который обозначает среднее всех сохраненных значений. Повторное нажатие кнопки М отображает предыдущее значение. Многократное нажатие кнопки М позволяет переключаться между сохраненными значениями.

- ➡ Артериальное давление измеренное при положении манжеты (18)-А не учитываются в среднем значении
- ➡ Обратите внимание, что максимальный объем памяти в 30 измерений не может быть превышен. Когда память заполнена, 31 измерение записывается вместо самого раннего. Значения должны быть отслежены врачом до достижения максимального объема памяти – иначе данные будут потеряны.

Удаление всех значений

Если Вы хотите окончательно удалить все сохраненные в памяти данные, выключите устройство, нажмите и держите нажатой кнопку М, пока не появится «CL ALL» затем отпустите кнопку. Чтобы полностью очистить память, нажмите кнопку времени, пока «CL ALL» мигает. **Индивидуальные значения не могут быть удалены.**

- ➡ **Отмена удаления:** нажмите кнопку ВКЛ/ВЫКЛ (1), пока «CL ALL» мигает.

7. Индикатор разряда батарей и их замена

Батареи почти разряжены

Если батареи использованы приблизительно на ¼, то при включении прибора символ элементов питания (14) будет мигать (отображается частично заряженная батарея). Несмотря на то, что прибор продолжит надежно проводить измерения, необходимо подготовить новые элементы питания на замену.

Замена разряженных батарей

Если батареи разряжены, то при включении прибора символ элементов питания (14) будет мигать (отображается разряженная батарея). Дальнейшие измерения не могут производиться до замены батарей.

1. Откройте отсек батарей (7) на нижней части прибора.
2. Замените батареи, убедившись, что соблюдена полярность в соответствии с символами в отсеке.

3. Для того, чтобы установить дату и время, следуйте процедуре, описанной в Разделе «2. Использование прибора в первый раз».

 Измерения, сохраненные в памяти, удаляются при извлечении всех батарей из батарейного отсека (например, при замене батарей).

Элементы питания и процедура замены

 Пожалуйста, используйте 4 новые щелочные батареи на 1,5V (В) с длительным сроком службы размера AAA.

 Не используйте батареи с истекшим сроком годности.

 Достаньте батареи, если прибор не будет использоваться в течение длительного периода времени.

8. Использование блока питания

Вы можете работать с прибором при помощи блока питания Microlife (Постоянный ток DC 6В, 600мА).

 Используйте только блоки питания Microlife, относящиеся к оригинальным принадлежностям и рассчитанные на соответствующее напряжение.

 Убедитесь в том, что ни блок питания, ни кабель не повреждены.

1. Вставьте кабель блока питания в гнездо блока питания  в приборе.

2. Вставьте вилку блока питания в розетку.

При подключении блока питания ток элементов питания не потребляется.

9. Сообщения об ошибках

Если во время измерения происходит ошибка, то процедура измерения прерывается и выдается сообщение об ошибке, например «ERR 3».

Ошибка	Описание	Возможная причина и устранение
«ERR 1» 	Сигнал слишком слабый	Импульсные сигналы на манжете слишком слабые. Повторно наложите манжету и повторите измерение.*
«ERR 2» 	Ошибочные сигналы	Во время измерения манжета зафиксировала ошибочные сигналы, вызванные, например, движением или сокращением мышц. Повторите измерение, держа руку неподвижно.

Ошибка	Описание	Возможная причина и устранение
«ERR 3» 	Неправильное давление в манжете	Манжета не может быть накачана до необходимого уровня давления. Возможно, имеет место утечка. Проверьте, что манжета подсоединена правильно и не слишком свободна. При необходимости замените батареи. Повторите измерение.
«ERR 5»	Ошибочный результат (артефакт)	Сигналы измерения не точны, из-за чего отображение результатов невозможно. Прочтите рекомендации для получения надежных результатов измерений и затем повторите измерение.*
«HI»	Пульс или давление манжеты слишком высоки	Давление в манжете слишком высокое (свыше 299 мм Hg (мм рт.ст.)) ИЛИ пульс слишком высокий (свыше 200 ударов в минуту). Отдохните в течение 5 минут и повторите измерение.*
«LO»	Пульс слишком низкий	Пульс слишком низкий (менее 40 ударов в минуту). Повторите измерение.*

* Пожалуйста, немедленно проконсультируйтесь с врачом, если эта или какая-либо другая проблема возникает повторно.

10. Техника безопасности, уход, проверка точности и утилизация

Техника безопасности и защита

- Следуйте инструкциям по использованию. В этом документе содержатся важные сведения о работе и безопасности этого устройства. Перед использованием устройства, пожалуйста, внимательно прочитайте этот документ и сохраните его для дальнейшего использования.
- Прибор может использоваться только в целях, описанных в данной инструкции. Изготовитель не несет ответственности за повреждения, вызванные неправильным использованием.

- В состав прибора входят чувствительные компоненты, требующие осторожного обращения. Ознакомьтесь с условиями хранения и эксплуатации, описанными в разделе «Технические характеристики»!
- Манжеты представляют собой чувствительные элементы, требующие бережного обращения.
- Производите накачку только наложенной манжеты.
- Не используйте прибор, если Вам кажется, что он поврежден или если Вы заметили что-либо необычное.
- Никогда не вскрывайте прибор.
- Прочтите дальнейшие указания по безопасности в отдельных разделах этой инструкции.
- Результаты измерения, которые предоставляет этот прибор, не являются диагнозом. Они не заменяют необходимости консультации врача, особенно если они не соответствуют симптомам пациента. Не полагайтесь только на результат измерения, всегда рассматривайте другие потенциальные симптомы и жалобы пациента. Обратитесь к врачу или вызовите скорую в случае необходимости.



Позаботьтесь о том, чтобы дети не могли использовать прибор без присмотра, поскольку некоторые его мелкие части могут быть проглочены. При поставке прибора с кабелями и шлангами возможен риск удушья.



Противопоказания

Во избежание неточных измерений или травм не используйте данное устройство в следующих случаях.

- Устройство не предназначено для измерения артериального давления детям в возрасте младше 12 лет (дети, младенцы или новорождённые).
- Наличие сильной сердечной аритмии может помешать измерению артериального давления и повлиять на надёжность полученных показаний. Чтобы выяснить, подходит ли устройство для использования в данном случае, проконсультируйтесь со своим лечащим врачом.
- Артериальное давление измеряют с помощью манжеты устройства, которая сжимается вокруг руки под действием давления. Если используемая для измерения давления конечность травмирована (например, имеет открытые раны) или для неё предусмотрены специальные условия или лечебные процедуры (например, внутривенное

вливание), не допускающие контакта с её поверхностью или сжатие, устройство использовать запрещается во избежание ухудшения травм или состояния конечности.

- Движения пациента могут помешать процессу измерения и повлиять на его результаты.
- Не выполняйте измерения у пациентов с какими-либо проблемами и заболеваниями, у пациентов, чувствительных к окружающей среде, которая может вызвать неконтролируемые движения пациента (например, дрожь или озноб), а также у пациентов, не способных ясно общаться с врачом (например, если это дети или пациенты без сознания).
- В устройстве используется осциллометрический способ определения артериального давления. В руке, на которой измеряется артериальное давление, должен быть нормальный кровоток. Устройство не предназначено для использования на конечности с нарушением кровообращения. Если вы страдаете нарушением кровообращения или заболеванием крови, перед использованием устройства проконсультируйтесь со своим лечащим врачом.
- Не измеряйте давление на руке, расположенной с той стороны, где была проведена операция мастэктомии или лимфаденэктомии.
- Не пользуйтесь данным устройством в движущемся транспортном средстве (например, в автомобиле или самолёте).



ВНИМАНИЕ

Указывает на потенциально опасную ситуацию, пренебрежение которой может привести к смерти или серьёзной травме.

- Данное устройство можно использовать только в целях, указанных в настоящей инструкции по эксплуатации. Изготовитель не несёт ответственности за повреждения, вызванные неправильным использованием устройства.
- Не меняйте лекарства и схему лечения пациента из-за результата одного или нескольких измерений. Любые изменения в схему лечения и перечень лекарственных препаратов может вносить только медицинский специалист.

- Проверьте устройство, манжету и другие детали на предмет наличия повреждений. НЕ ИСПОЛЬЗУЙТЕ устройство, манжету или другие детали в случае наличия на них повреждений или нарушений в их работе.
- Во время измерения кровотока на руке временно прерывается. При длительном прерывании кровоснабжения нарушается периферическое кровообращение и может возникнуть повреждение ткани. При непрерывных или длительных измерениях обращайте внимание на признаки нарушения периферического кровоснабжения (например, обесцвечивание ткани).
- При длительном сжатии руки манжетой уменьшается периферическая перфузия, что может привести к травме. Не допускайте сжатия руки манжетой более длительное время, чем требуется для выполнения обычного измерения. В случае аномально долгого сжатия прервите измерение или ослабьте манжету, чтобы прекратить сдавливание руки.
- Не используйте устройство в среде с высоким содержанием кислорода или вблизи источников горячего газа.
- Устройство не является водостойким или водонепроницаемым. Не допускайте попадания воды или других жидкостей на устройство или погружения устройства в такие жидкости.
- Не разбирайте и не пытайтесь ремонтировать устройство, его вспомогательные принадлежности и детали во время эксплуатации или хранения. Запрещается доступ к внутреннему аппаратному или программному обеспечению устройства. Несанкционированный доступ к устройству или его обслуживанию во время эксплуатации или хранения может создать угрозу для безопасного и исправного функционирования устройства.
- Храните устройство вдали от детей и лиц, неспособных управлять устройством. Помните о рисках случайного проглатывания мелких деталей или сдавливания кабелями и трубками устройства и его принадлежностей.
- Устройство предназначено только для измерения артериального давления на середине плеча. Не выполняйте измерения в других местах, так как показания артериального давления будут неточными.
- После завершения измерения ослабьте манжету и подождите чуть больше 5 минут, чтобы восстановить кровоток в конечности, прежде чем выполнить ещё одно измерение.
- Не используйте устройство одновременно с другим медицинским электрическим оборудованием (класса ME). Это может нарушать работу устройства или приводить к неточным результатам.
- НЕ ИСПОЛЬЗУЙТЕ данное устройство вблизи высокочастотного (ВЧ) хирургического оборудования, оборудования для магниторезонансной терапии (МРТ) и аппаратов компьютерной томографии (КТ). Это может нарушать работу устройства и приводить к неточным результатам.
- Используйте и храните устройство, манжету и принадлежности при температуре и влажности, указанных в «Технические характеристики». Использование и хранение устройства, манжеты и принадлежностей в условиях, не соответствующих параметрам, указанным в «Технические характеристики», может привести к нарушению работы устройства и возникновению опасных ситуаций.
- Во избежание повреждения защищайте устройство и его принадлежности от следующих факторов:
 - вода, другие жидкости и влага;
 - экстремальных температур
 - удары и вибрации.
 - прямых солнечных лучей
 - загрязнения и пыли
- Данное устройство имеет 2 пользовательские настройки. После каждого использования обязательно чистите и дезинфицируйте устройство для предотвращения перекрёстного загрязнения.
- В случае возникновения раздражения кожи или дискомфорта прекратите использование устройства и манжеты и проконсультируйтесь со своим лечащим врачом.



ВНИМАНИЕ!

Обозначает потенциально опасную ситуацию, которая, если не принять меры к её устранению, может привести к незначительной или средней по тяжести травме пользователя или пациента либо повреждению устройства или другого имущества.

Информация об электромагнитной совместимости

Данное устройство соответствует стандарту EN 60601-1-2:

2015 «Электромагнитные помехи».

Данное устройство не сертифицировано для использования вблизи высокочастотного (ВЧ) медицинского оборудования.

Не используйте устройство вблизи сильных электромагнитных полей и переносных радиочастотных средств связи (например, рядом с микроволновой печью и устройствами мобильной связи). Используйте устройство на расстоянии минимум 3.3 м от вышеуказанных источников.

Уход за прибором

Используйте для чистки прибора только сухую, мягкую ткань.

Очистка манжеты

Осторожно удалите пятна с манжеты с помощью влажной тряпки и мыльной воды.



ПРЕДУПРЕЖДЕНИЕ: Не стирать манжету в стиральной или посудомоечной машине!



ПРЕДУПРЕЖДЕНИЕ: Не сушите тканевый «рукав» манжеты в сушилке для белья!



ПРЕДУПРЕЖДЕНИЕ: Ни при каких обстоятельствах не допускается стирка внутренней эластичной камеры!

Проверка точности

Мы рекомендуем проверять точность прибора каждые 2 года либо после механического воздействия (например, падения). Для проведения теста обратитесь в местный сервисный центр Microlife (см. введение).

Утилизация



Батарейки и электронные приборы следует утилизировать в соответствии с принятыми нормами и не выбрасывать вместе с бытовыми отходами.

11. Гарантия

Срок гарантии указан в Гарантийном талоне. В течение этого гарантийного периода, по нашему усмотрению, Microlife бесплатно отремонтирует или заменит неисправный продукт. Вскрытие или изменение устройства аннулирует гарантию. Следующие пункты исключены из гарантии:

- Транспортные повреждения и риски, связанные с транспортом.

- Повреждения, вызванные неправильным применением или несоблюдением инструкции по применению.
- Повреждения, вызванные утечкой батарей.
- Повреждения, вызванные несчастным случаем или неправильным использованием.
- Упаковка / хранение материалов и инструкции по применению.
- Регулярные проверки и обслуживание (калибровка).
- Аксессуары и изнашивающиеся части: Батареи, адаптер питания (при необходимости).

На манжету распространяется гарантия (герметичность воздушного клапана) на 2 года.

Если требуется гарантийное обслуживание обратитесь к дилеру, у которого был приобретен продукт или в местную службу поддержки Microlife. Вы можете связаться с местным сервисом Microlife через наш сайт: www.microlife.com/support
Компенсация ограничена стоимостью продукта. Гарантия будет предоставлена, если товар будет возвращен целиком с оригинальным чеком. Ремонт или замена в рамках гарантии не продлевает и не восстанавливает сначала гарантийный срок. Юридические претензии и права потребителей не ограничены этой гарантией.

12. Технические характеристики

Условия применения:	от +10 °C до +40 °C 15-90 % максимальная относительная влажность
Условия хранения:	от -20 °C до +55 °C 15-90 % максимальная относительная влажность
Масса:	251 г (r) (включая батарейки)
Размеры:	124 x 92 x 61 mm (mm)
Размер манжеты:	от 22 - 42 см в зависимости от размеров манжет (см. «Подбор подходящей манжеты!»)
Процедура измерения:	осциллометрическая, в соответствии с методом Короткова: фаза I систолическая, фаза V диастолическая
Диапазон измерений:	20 - 280 mm Hg (mm рт.ст.) – артериальное давление 40 - 200 ударов в минуту – пульс

Индикация давления в манжете:	0 - 299 mm Hg (мм рт.ст.)
Минимальный шаг индикации:	1 mm Hg (мм рт.ст.)
Статическая точность:	в пределах ± 3 mm Hg (мм рт.ст.)
Точность измерения пульса:	± 5 % считанного значения
Источник питания:	Блок питания постоянного тока DC 6В, 600мА (опционально) 4 x 1,5V (В) щелочные батарейки размера AAA (опционально) примерно 400 измерений (при использовании новых щелочных батарей)
Срок службы батареи:	
Комплектация:	прибор для измерения артериального давления и частоты пульса, сумка (опционально), манжета, блок питания (опционально), элементы питания AAA - 4 шт (опционально), руководство по пользованию, гарантийный талон, дневник учета измерений артериального давления, маркер манжеты
Класс защиты:	IP 20
Соответствие стандартам:	EN 1060-1 /-3 /-4; IEC 60601-1; IEC 60601-1-2 (EMC); IEC 60601-1-11
Ожидаемый срок службы:	Срок службы устройства: 12 лет или 10000 измерений в зависимости от того, какое событие наступит первым. Срок службы вспомогательных принадлежностей: 2 года или 5000 измерений в зависимости от того, какое событие наступит первым.

Данный прибор соответствует требованиям директивы ЕС о медицинском оборудовании 93/42/ЕЕС.

Право на внесение технических изменений сохраняется за производителем.

- ① Обяснение на символите
- ② Дисплей
- ③ М-бутон (памет)
- ④ Бутон за настройка на часа
- ⑤ Гнездо за маншета
- ⑥ Гнездо за адаптера за електрическата мрежа
- ⑦ Отделение за батериите
- ⑧ Маншет
- ⑨ Конектор за маншета
- ⑩ Тръба на маншета

Дисплей

- ⑪ Систолна стойност
- ⑫ Диастолна стойност
- ⑬ Величина на пулса
- ⑭ Индикатор за батериите
- ⑮ Индикатор «светофар»
- ⑯ Запометена стойност
- ⑰ Индикатор за пулс
- ⑰ Проверка за правилно поставяне на маншета
 -А: Субоптимално поставяне на маншета
 -В: Индикатор за движение на ръката «ERR 2»
 -С: Проверка на налягането в маншета «ERR 3»
- ⑱ Индикатор за сигнал от маншета «ERR 1»
- ⑲ Символ за неравномерен пулс (IHB)
- ⑳ Дата/час



Прочетете важната информация в тези инструкции за употреба, преди да използвате този апарат. За ваша безопасност следвайте инструкциите за употреба и ги запазете за бъдещи справки.



Класификация на използваните детайли - тип BF



Съхранявайте на сухо



Производител



Батериите и електронните уреди трябва да се изхвърлят съгласно местните приложими разпоредби, а не с битовите отпадъци.



Упълномощен представител в Европейската общност



Модел номер



Каталожен номер



Сериен номер

(ГГГГ-ММ-ДД-ССССС; година-месец-ден-сериен номер)



Внимание



Температурни граници



Граници на влажност



Медицинско изделие



Пазете далеч от деца на възраст 0 – 3 години



СЕ маркировка за съответствие



Единна марка за движение на продукта на пазара на държавата членка на Евразийския икономически съюз.



Негофриран картон

Предназначение:

Този осцилометричен апарат за кръвно налягане е предназначен за измерване на неинвазивно кръвно налягане при хора на възраст 12 или повече години.

Уважаеми потребителю,

Този инструмент е разработен в сътрудничество с лекари, а клиничните изпитания доказват високата му точност.* Ако имате въпроси, проблеми или искате да поръчате резервни части, моля, свържете се с местния представител на Microlife-Клиентски услуги. Вашият дистрибутор или аптекар може да ви даде адреса на дистрибутора на Microlife във вашата страна. Друга възможност е да посетите Интернет на www.microlife.bg, където можете да намерите изключително полезна информация за продуктите ни. Бъдете здрави – Microlife AG!

** Този апарат използва същата технология за измерване като спечелилния награда модел «BP 3BTO-A», тестван съгласно протокола на Британското дружество на хипертониците (BHS).*

Съдържание

- 1. Важни факти за кръвното налягане**
- 2. Използване на апарата за първи път**
Поставяне на батерии
Задаване на дата и час
Избор на подходящ маншет
- 3. Списък с въпроси, гарантиращ извършване на надеждно измерване**
- 4. Измерване на кръвното налягане**
Ръчна настройка на напompването
Как да не бъде запаменено показание
Как да определя кръвното ми налягане?
- 5. Появата на символа за неравномерен сърдечен ритъм (НВ)**
- 6. Памет**
Преглед на запаменените стойности
Изчистване на всички стойности

7. Индикатор за изтощаване на батериите и подмяна

Батериите са почти изтощени
Подмяна на изтощени батерии
Избор на батерии и грижа

8. Използване на адаптер за електрическа мрежа

9. Съобщения за грешка

10. Тест за безопасност, грижа, точност и депониране

Грижа за апарата
Почистване на маншета
Тест за точност
Депониране

11. Гаранция

12. Технически спецификации

1. Важни факти за кръвното налягане

- **Кръвно налягане** наричаме налягането на кръвта, преминаваща през артериите, което се образува от помпената дейност на сърцето. Винаги се измерват две стойности, **систолна** (висока) стойност и **диастолна** (ниска) стойност.
- Уредът отчита също и **величината на пулса** (броят на ударите на сърцето за една минута).
- **Ако постоянно имате високо кръвно налягане, това може да увреди здравето ви и трябва да се обърнете за помощ към лекаря си!**
- Винаги обсъждайте стойностите с вашия лекар и му съобщавайте, ако забележите нещо необичайно или се почувствате несигурни. **Никога не разчитайте на еднократно измерените стойности.**
- Съществуват няколко причини за **прекаленовисоки стойности на кръвното налягане**. Вашият лекар ще ги обясни по-подробно и ще предложи лечение, когато е необходимо.
- **При никакви обстоятелства не трябва да променяте дозировката на лекарствата си или да започвате лечение без консултация с Вашия лекар.**

- В зависимост от физическото натоварване и състояние кръвното налягане търпи големи колебания в рамките на деня. **Следователно трябва да правите измерванията си при едни и същи тихи условия и когато се чувствате спокойни!** Правете поне две отчитания всеки път (сутрин: преди прием на лекарства и хранене/вечер: преди лягане, къпане или прием на лекарства) и осреднявайте измерванията.
- Нормално е две измервания, направени скоро едно след друго, да покажат доста **различни резултати**.
- **Отклонения** в стойностите на измерванията, направени от лекаря ви или в аптеката, и тези направени вкъщи са напълно нормални, тъй като условията, при които са направени, са напълно различни.
- **Няколко измервания** осигуряват много по-надеждна информация за Вашето кръвно налягане, отколкото само едно единично измерване.
- **Направете малка пауза** 5 минути между две измервания.
- Ако страдате от **неравномерна сърдечна дейност** (аритмия, вижте Раздел «Появата на символа за неравномерен сърдечен ритъм (ИВВ)») измервания, направени с този апарат, трябва да бъдат обсъдени с Вашия лекар.
- **Индикаторът на пулса не е подходящ за проверка на честотата на пейсмейкъри!**
- Ако сте **бременна**, трябва редовно да измервате кръвното си налягане, тъй като то може да се променя драстично през този период.

 **Редица фактори могат да оказват влияние върху точността на измерванията, направени на китката.** В някои случаи резултатът може да се различава от измерването, направено на ръката над лакътя. Затова ви съветваме да сравните тези стойности със стойностите, получени при измерване на ръката над лакътя, и да ги обсъдите с лекаря си.

2. Използване на апарата за първи път

Поставяне на батерии

След като разопаковате вашия уред, първо поставете батериите. Гнездото на батериите (7) се намира от долната страна на устройството. Поставете батериите (4 x 1.5 V, размер AAA), като спазвате посочената полярност.

Задаване на дата и час

1. След като се поставят новите батерии, числото на годината започва да мига на дисплея. Можете да настроите годината, като натиснете М-бутона (3). За да потвърдите натиснете бутона за настройка на часа (4), а след това настройте месеца.
2. Сега може да настроите месеца чрез М-бутона. Натиснете бутона за настройка на часа, за да потвърдите, а след това настройте деня.
3. Моля, следвайте инструкциите по-горе, за да настроите деня, часа и минутите.
4. След като настроите минутите и натиснете бутона за настройка на часа, датата и часът са настроени и часът се извежда на екрана.
5. Ако искате да промените датата и часа, натиснете и задръжте бутона за настройка на часа за около 3 секунди, докато годината започне да мига. Сега можете да въведете новите стойности, както е описано по-горе.

Избор на подходящ маншет

Microlife предлага маншети с различни размери. Изберете размер на маншета, който да отговаря на обиколката на ръката ви над лакътя (измерва се като се пристегне в центъра на ръката над лакътя).

Размер на маншета	за обиколка на ръката над лакътя
M	22 - 32 см
M - L	22 - 42 см

-  Предварително оформените маншети са по избор налични.
-  Използвайте само Microlife маншети!
-  Това устройство е съвместимо с маншети Microlife с размери M и M-L и е несъвместимо с маншети с други размери.
- ▶ Свържете се с местния представител на Microlife-Услуги, ако приложеният маншет (8) не е подходящ.
- ▶ Свържете маншета към апарата, като поставите конектора за маншета (9) в гнездото за маншета (5) колкото може по-навътре.

3. Списък с въпроси, гарантиращ извършване на надеждно измерване

- ▶ Избягвайте движение, хранене или пушене непосредствено преди измерването.
- ▶ Седнете на стол с облегалка и се отпуснете в продължение на 5 минути. Дръжте краката си стъпили на пода и не ги кръстосвайте.
- ▶ **Винаги измервайте на една и съща ръка** (обикновено лявата). При първото посещение при лекаря е препоръчително кръвното да се измери и на двете ръце, за да може да се определи на коя ръка следва да се измерва в бъдеще. Трябва да се измерва на ръката, на която е отчетено по-високо кръвно налягане.
- ▶ Отстранете плътно прилепващи дрехи от ръката над лакътя. За да избегнете притискане, не навивайте ръкавите си - те не пречат на маншета, ако са гладки.
- ▶ Винаги се уверявайте, че използвате правилния размер маншет (размерът на маншета е отбелязан върху него).
 - Стегнете добре маншета, но не твърде много.
 - Уверете се, че маншетът е поставен 1-2 см над лакътя.
 - **Знак за артерия**, обозначен на маншета трябва да се постави върху артерията, която минава през вътрешната страна на ръката.
 - Поддържайте ръката си, за да е отпусната.
 - Уверете се, че маншетът е разположен на височината на сърцето ви.

4. Измерване на кръвното налягане

1. Натиснете бутона Вкл./Изкл ①, за да започнете измерването.
2. Маншетът се напompва автоматично. Отпуснете се, не мърдайте и не напрягайте мускулите на ръката си, докато не се изведе резултатът от измерването. Дишайте нормално и не говорете.
3. Проверете дали иконата за проверка на маншета ⑱ на дисплея показва, че маншетът е правилно поставен. Ако се появи иконата ⑲-А, маншетът е поставен субоптимално, но все пак е достатъчно добре поставен и може да се направи измерване.
4. Когато е достигнато нужното налягане, помпането спира и налягането спада постепенно. Ако не е достигнато

необходимото налягане, апаратът автоматично вкарва допълнително въздух в маншета.

5. По време на измерването, индикаторът за пулс ⑰ примигва на дисплея.
 6. Резултатът, състоящ се от систолната ⑲ и диастолната ⑳ стойност на кръвното налягане и пулса ㉓ се извежда на дисплея. Проверете също и обясненията за допълнително извеждане на дисплея в тази брошура.
 7. Когато измерването е приключило свалете маншета.
 8. Изключете апарата. (Апаратът се изключва автоматично след прибл. 1 мин).
- ☞ Може да спрете измерването по всяко време, като натиснете бутона „ON/OFF“ (Вкл./Изкл.) или отворите маншета (напр. ако изпитвате дискомфорт или неприятно усещане за натиск).

Ръчна настройка на напompването

В случай на високо систолично кръвно налягане

(напр. над 135 mmHg), апаратът предлага предимството да се настрои индивидуално налягането при напompване. Натиснете бутона ON/OFF, след като апаратът е напompил до ниво от прибл. 30 mmHg (показан на дисплея). Задръжте бутона натиснат, докато налягането достигне около 40 mmHg над очакваната систолична стойност - след това освободете бутона.

Как да не бъде запомнето показание

Веднага щом се появи показанието, натиснете и задръжте бутона ON/OFF ①, докато «М» ⑱ мига. Потвърдете изтриването на показанието, като натиснете бутона time ④. ☞ «CL» се показва, когато показанието се изтрие успешно от паметта.

Как да определя кръвното ми налягане?

Триъгълникът в лявата част на дисплея ⑲ показва диапазона, в който се намира измерената стойност на кръвното налягане. Стойността е или в оптималния (бял), повишен (щрихован сив) или висок (черен) диапазон. Класификацията отговаря на следните диапазони,

определени от международните указания (ESH, ESC, JSH). Данните са в mmHg (милиметри живачен стълб).

Обхват	Систолна	Диастолна	Препоръка
1. кръвното налягане е прекалено високо	≥135	≥85	Потърсете медицинска помощ
2. кръвното налягане повишени	130 - 134	80 - 84	Самостоятелна проверка
3. нормално кръвно налягане	<130	<80	Самостоятелна проверка

Най-високата стойност е тази, която определя оценката. Пример: стойност на кръвното налягане на **140/80 mmHg** или стойност на **130/90 mmHg** показва «кръвното налягане е прекалено високо».

5. Появата на символа за неравномерен сърдечен ритъм (ИВБ)

Този символ (19) показва, че е открит неравномерен пулс. В този случай измереното кръвно налягане може да се отклонява от реалните стойности на кръвното Ви налягане. Препоръчва се измерването да се повтори.

Информация за лекаря в случай на многократно появяване на символа ИВБ

Това устройство е осцилометричен апарат за измерване на кръвното налягане, който също измерва пулса по време на измерването на кръвното налягане и показва, когато сърдечният пулс е неравномерен.

6. Памет

Памет запамята последните 30 измерени стойности.

Преглед на запамените стойности

Натиснете М-бутон (3) за кратко, когато апаратът е изключен. На дисплея първо се изглежда «М» (16) и «А», която означава средната стойност на всички съхранени стойности. Натискането на бутона М отново показва предишната стойност. Натискането на бутона М неколкократно ви

позволява да премествате от една запаменена стойност към друга.

- Измерванията на кръвното налягане със субоптимално поставен маншет (18-А не се считат при средната стойност.
- Обърнете внимание, че максималният капацитет на паметта от 30 не е надвишена. **Когато 30-те позицииза памет са пълни, 31-ният резултат автоматично се записва върху най-стария резултат.** Стойностите трябва да бъдат оценени от лекар преди да бъдат достигнат капацитета на паметта – в противен случай данните ще бъдат загубени.

Изчистване на всички стойности

Ако сте сигурни, че искате да премахнете за постоянно всички запазени стойности, задържете бутона М (устройството трябва да е изключено предварително), докато се появи «CL ALL», след което освободете бутона. За да изтриете напълно паметта, натиснете бутона за време, докато «CL ALL» мига. **Индивидуални стойности не могат да бъдат изтритвани.**

- Отмяна на изтриването: натиснете бутона ON/OFF (1), докато «CL ALL» мига.

7. Индикатор за изтощаване на батериите и подмяна

Батериите са почти изтощени

Когато батериите са приблизително ¼ използвани, символът на батерията (14) ще започне да мига веднага след включването на апарата (на дисплея се появява частично пълна батерия). Въпреки че апаратът ще продължи да извършва надеждни измервания, трябва да подмените батериите.

Подмяна на изтощени батерии

Когато батериите са изтощени, символът батерия (14) започва да мига веднага след включване на апарата (на дисплея се показва празна батерия). Не можете да извършвате повече измервания, трябва да подмените батериите.

- Отворете отделиението за батерии (7) в задната страна на апарата.
- Подменете батериите – уверете се, че е спазена полярността, както е показано на символите в отделиението.

3. За да настроите дата и час, следвайте процедурата, описана в Раздел «2. Използване на аппарата за първи път».

 Измерванията, съхранени в паметта, се отстраняват при изваждане на батериите от отделението за батерии (например при смяна на батериите).

Избор на батерии и грижа

 Използвайте 4 нови, дълготрайни, 1.5 V AAA алкални батерии.

 Не използвайте батерии с изтекъл срок на годност.

 Отстранете батериите, ако аппаратът няма да се използва за по-дълъг период от време.

8. Използване на адаптер за електрическа мрежа

Можете да работите с аппарата, като използвате Microlife адаптера за електрическата мрежа (DC 6V, 600 mA).

 Използвайте само Microlife адаптера за електрическата мрежа, който е предоставен като оригинален аксесоар, подходящ за напрежението на доставяното електричество.

 Уверете се, че нито адаптерът за електрическа мрежа, нито кабелът са повредени.

1. Включете кабела на адаптера в гнездото за адаптер за електрическа мрежа  в аппарата за кръвно налягане.

2. Включете щепсела на адаптера в контакта в стената. Когато адаптерът за електрическа мрежа е включен, не се консумира ток от батериите.

9. Съобщения за грешка

Ако по време на измерването възникне грешка, измерването се прекъсва и съобщение за грешка, напр. «ERR 3», се появява на дисплея.

Грешка	Описание	Вероятна причина и начин за отстраняване
«ERR 1» 	Твърде слаб сигнал	Пулсовите сигнали в маншета са много слаби. Позиционирайте маншета отново и повторете измерването.*

Грешка	Описание	Вероятна причина и начин за отстраняване
«ERR 2» 	Сигнал за грешка	По време на измерването, сигнали за грешка се долавят от маншета, причинени например от движение или от напрежение в мускулите. Повторете измерването, като държите ръката си неподвижна.
«ERR 3» 	Необичайно налягане на маншета	Не може да се образува необходимото налягане в маншета. Може да се е появил процеп. Проверете дали маншетът е свързан правилно и дали не е твърде хлабав. Сменете батериите, ако е необходимо. Повторете измерването.
«ERR 5»	Необичаен резултат	Измервателните сигнали са неточни и на дисплея няма изведен резултат. Прочетете списъка с напомнящи въпроси за извършване на надеждни измервания и след това повторете измерването.*
«HI»	Пулсът или налягането в маншета са твърде високи	Налягането в маншета е твърде високо (над 299 mmHg) ИЛИ пулсът е твърде висок (над 200 удара в минута). Отпуснете се за 5 минути и повторете измерването.*
«LO»	Твърде бавен пулс	Пулсът е много бавен (по-малко от 40 удара в минута). Повторете измерването.*

* Моля, незабавно се консултирайте с Вашия лекар, ако този или друг проблем възникне многократно.

10. Тест за безопасност, грижа, точност и депониране

Безопасност и защита

- Следвайте инструкциите за употреба. Този документ предоставя важна информация за работата и безопасността по отношение на това устройство. Моля,

прочетете внимателно този документ, преди да използвате устройството и го запазете за бъдещи справки.

- Този прибор може да се ползва единствено за целта, описана в тази книжка. Производителят не може да носи отговорност за повреди, причинени от неправилна употреба.
- В този прибор има чувствителни детайли и с него трябва да се борави внимателно. Спазвайте условията за съхранение и експлоатация, описани в раздел «Технически спецификации»!
- Маншетите са чувствителни и трябва да се борави внимателно с тях.
- Помпайте маншета само когато е поставен добре на ръката.
- Не ползвайте прибора, ако мислите, че е повреден или забележите нещо нередно.
- Никога не отваряйте прибора.
- Прочетете допълнителните инструкции за безопасност в индивидуалните раздели от брошурата.
- Резултатът от измерването, даден от това устройство не е диагноза. Той не заменя необходимостта от консултация с лекар, особено ако не съответства на симптомите на пациента. Не разчитайте само на резултата от измерването, винаги вземайте предвид и други потенциално проявяващи се симптоми, както и обратната връзка от пациента. Ако е необходимо, се препоръчва повикването на лекар или линейка.



Не позволявайте на деца да използват прибора без родителски контрол; някои части са достатъчно малки, за да бъдат погълнати. Бъдете наясно с риска от задушаване в случай, че това устройство е снабдено с кабели или тръби.



Противопоказания

Не използвайте този апарат, ако състоянието на пациента отговаря на посочените по-долу противопоказания, за да избегнете неточни измервания или наранявания.

- Апаратът не е предназначен за измерване на кръвно налягане при пациенти в детска възраст под 12 години (деца, пеленачета или новородени).
- Наличието на значителна сърдечна аритмия по време на измерване може да попречи на измерването на кръвното

налягане и да повлияе на надеждността на отчетените стойности на кръвното налягане. Посъветвайте се с вашия лекар дали апаратът е подходящ за употреба в подобен случай.

- Апаратът измерва кръвното налягане с помощта на маншет под налягане. Не използвайте апарата, ако крайникът, на който се извършва измерването, има наранявания (например открити рани) или при състояния или манипулации (например интравенозна система), които го правят неподходящ за повърхностен контакт или упражняване на натиск, за да избегнете влошаване на нараняванията или състоянията.
- Движенията на пациента по време на измерване могат да попречат на процеса на измерване и да повлияят на резултатите.
- Избягвайте да правите измервания на пациенти със състояния, заболявания и такива, податливи на условия на заобикалящата среда, които водят до неконтролируеми движения (например треперене или потръпване) и невъзможност за ясна комуникация (например деца и пациенти в безсъзнание).
- Апаратът използва осцилометричен метод за определяне на кръвното налягане. Ръката, на която се извършва измерването, трябва да има нормална перфузия. Апаратът не е предназначен за употреба върху крайник с ограничено или нарушено кръвообращение. Посъветвайте се с вашия лекар, преди да използвате апарата, ако страдате от нарушения на перфузията или кръвта.
- Избягвайте да правите измерване на ръката от страната на мастектомия или отстранени лимфни възли.
- Не използвайте апарата в движещо се превозно средство (например в кола или самолет).



Внимание

Указва потенциално опасна ситуация, която, ако не бъде избегната, може да доведе до смърт или сериозно нараняване.

- Този апарат може да се използва само за предназначението, описано в тези инструкции за употреба. Производителят не носи отговорност за щети, причинени вследствие на неправилно приложение.

- Не променяйте лекарството и лечението на пациента въз основа на резултата от едно или множество измервания. Промени в лечението и лекарството трябва да се предписват само от медицински специалист.
- Проверете аппарата, маншета и други части за повреди. НЕ ИЗПОЛЗВАЙТЕ аппарата, маншета или частите, ако изглеждат повредени или работят неправилно.
- Притокът на кръв към ръката е временно прекъснат по време на измерването. Продължителното прекъсване на притока на кръв намалява периферното кръвообращение и може да причини увреждане на тъканите. Внимавайте за признаци (например обезцветяване на тъканите) на затруднено периферно кръвообращение, ако правите измервания непрекъснато или за продължителен период от време.
- Продължителното излагане на налягането в маншета ще намали периферната перфузия и може да доведе до нараняване. Избягвайте ситуации с продължително налягане в маншета извън нормалните измервания. В случай на необичайно продължително надуване на маншета прекратете измерването или разхлабете маншета, за да понижите налягането в него.
- Не използвайте аппарата в среда, богата на кислород, или близо до запалим газ.
- Апаратът не е водоустойчив или водонепромокаем. Не разливайте и не потапяйте аппарата във вода или други течности.
- Не разглобявайте и не се опитвайте да обслужвате аппарата, принадлежностите и частите по време на употреба или при съхранение. Достъпът до вътрешния хардуер и софтуер на аппарата е забранен. Неоторизиран достъп и обслужване на аппарата по време на употреба или при съхранение може да застраши безопасността и работата на аппарата.
- Пазете аппарата далеч от деца и хора, които не могат да работят с него. Вземете под внимание рисковете от случайно поглъщане на малки части и задушаване с кабелите и тръбите на този апарат и неговите принадлежности.

ВНИМАНИЕ

Указва потенциално опасна ситуация, която, ако не бъде избегната, може да доведе до леки или средно тежки наранявания на потребителя или пациента или да причини повреда на аппарата или друго имущество.

- Апаратът е предназначен само за измерване на кръвно налягане на горната част на ръката. Не измервайте на други места, тъй като показанията няма да отразяват точно кръвното ви налягане.
- След като измерването приключи, разхлабете маншета и починете за > 5 минути, за да възстановите перфузията на крайника, преди да направите друго измерване.
- Не използвайте този апарат едновременно с друго медицинско електрическо (МЕ) оборудване. Това може да причини неизправност на аппарата или неточности в измерването.
- Не използвайте аппарата в близост до високочестотно (HF) хирургическо оборудване, оборудване за магнитен резонанс (MRI) и скенери за компютърна томография (СТ). Това може да причини неизправност на аппарата и неточности в измерването.
- Използвайте и съхранявайте аппарата, маншета и частите при условия на температура и влажност, посочени в «Технически спецификации». Употребата и съхранението на аппарата, маншета и частите при условия извън диапазоните, посочени в «Технически спецификации», може да доведе до неизправност на аппарата и да застраши безопасността на употребата.
- Защитете аппарата и принадлежностите от следните, за да избегнете повреда на аппарата:
 - вода, други течности и влага
 - екстремни температури
 - удари и вибрации
 - пряка слънчева светлина
 - замърсяване и прах
- Този апарат има 2 потребителски настройки. Уверете се, че се почиства и дезинфекцира между отделните потребители, за да предотвратите кръстосано замърсяване.
- Спрете да използвате този апарат и маншет и се посъветвайте с вашия лекар, ако почувствате кожно дразнене или дискомфорт.

Информация за електромагнитна съвместимост

Този апарат е в съответствие със стандарт EN60601-1-2: 2015 относно електромагнитните смущения.

Апаратът не е сертифициран за употреба в близост до високочестотното (HF) медицинско оборудване.

Не използвайте този апарат в близост до силни електромагнитни полета и преносими радиочестотни комуникационни устройства (например микровълнова печка и мобилни устройства). Спазвайте минимално отстояние от 3.3 m от такива устройства, когато използвате апарата.

Грижа за апарата

Почиствайте апарата само с мека суха кърпа.

Почистване на маншета

Внимателно отстранявайте петната по маншета с влажна кърпа и сапунена пяна.



Внимание: Не почиствайте маншета в пералня или съдомиялна машина.



Внимание: Не изсушавайте калъфа на маншета в сушилня!



Внимание: При никакви обстоятелства, не трябва да миете вътрешния балон!

Тест за точност

Препоръчително е апаратът да се тества за точност на всеки 2 години или след механичен удар (например след изпускане). Моля, свържете се с местния представител на Microlife-Услуги, за да организирате извършването на теста (вижте предговора).

Депониране



Батериите и електронните уреди трябва да се изхвърлят съгласно местните приложими разпоредби, а не с битовите отпадъци.

11. Гаранция

Гаранционният Срок е посочен в гаранционната карта. По време на този гаранционен период, по наша преценка, Microlife ще поправи или замени дефектния продукт безплатно. Отварянето или модификациите по прибора правят гаранцията невалидна.

Следните артикули са изключени от гаранцията:

- Транспортни разходи и рискове от транспорта.
- Повреда, причинена от неправилно приложение или неспазване на инструкциите за употреба.
- Повреда, причинена от изтичане на батерии.
- Повреда, причинена от злополука или неправилна употреба.
- Опаковъчен / съхраняващ материал и инструкции за употреба.
- Редовни проверки и поддръжка (калибриране).
- Аксесоари и износващи се части: Батерии, захранващ адаптер (по избор).

Маншетът е покрит от функционална гаранция (стегнатост на балона) за 2 години.

Ако се изисква гаранционно обслужване, моля, свържете се с дилъра, от който е закупен продуктът, или с местния представител на Microlife. Можете да се свържете с местния представител на Microlife чрез нашия уебсайт: www.micro-life.com/support

Компенсацията е ограничена до стойността на продукта.

Гаранцията ще бъде предоставена, ако целият продукт бъде върнат с оригиналната фактура. Ремонтът или подмяната в рамките на гаранцията не удължава или подновява гаранционния период. Юридическите претенции и правата на потребителите не са ограничени от тази гаранция.

12. Технически спецификации

Работни условия: 10 - 40 °C / 50 - 104 °F
15-90 % относителна максимална влажност

Условия на съхранение: -20 - +55 °C / -4 - +131 °F
15-90 % относителна максимална влажност

Тегло: 251 g (включително батерии)

Габарити: 124 x 92 x 61 mm

Размери на маншета: от 22 - 42 cm според размерите на маншета (вижте «Избор на подходящ маншет»)

Процедура на измерване: осцилометрична, отговаряща на метода Коротков: Фаза I систолно, V Фаза диастолно

Обхват на измерване:	20 - 280 mmHg – кръвно налягане 40 - 200 удара в минута – пулс
Обхват на налягането на маншета, извеждан на дисплея:	0 - 299 mmHg
Разделителна способност:	1 mmHg
Статична точност:	рамките на ± 3 mmHg
Точност на пулса:	± 5 % от отчетената стойност
Източник на напрежение:	Адаптер за мрежа DC 6V, 600 mA (опция) 4 x 1.5 V алкални батерии; големина AAA (опция)
Живот на батериите:	Приблизително 400 измервания (при използване на нови батерии)
Включени:	Апарат за кръвно налягане, чантичка (опция), маншет, адаптер (опция), 4 бр. AA батерии (опция), ръководство за употреба, гаранционна карта, дневник за кръвно налягане, маркер за маншет
IP клас на защита:	IP 20
Препратка към стандарти:	EN 1060-1 /-3 /-4; IEC 60601-1; IEC 60601-1-2 (EMC); IEC 60601-1-11
Очакван срок на експлоатация:	Апарат: 12 години или 10000 измервания, което от двете настъпи първо Принадлежности: 2 години или 5000 измервания, което от двете настъпи първо

Това изделие отговаря на изискванията на Директивата за медицински изделия 93/42/ЕЕС.

Производителят си запазва правото да внася технически промени.

