

Tiandy



TC-C32MN Spec: I3/A/E/Y/M/2.8-12mm/V4.0 2MP Motorized IR Dome Camera



Lite Series

KEY FEATURES

- Full Metal Housing
- Motorized Lens 2.8-12mm
- Up to 1920x1080@30fps
- S+265/H.265/H.264
- Min. illumination Color: 0.02Lux@F1.6
- Smart IR, IR Range: 30m
- Support tripwire and perimeter
- Built-in Mic, SD Card Slot, Reset Button
- Operating Conditions -40°C~60°C, 0~95% RH
- POE, IP67, IK10



Tiandy Technologies Co.,Ltd.

Email: sales@tiandy.com
Website: en.tiandy.com

Tel: +86-22-58596178
Fax: +86-22-58596048



SPECIFICATIONS

| | |
|-----------------------------|---|
| Camera | |
| Image Sensor | 1/2.8" CMOS |
| Signal System | PAL/NTSC |
| Min. Illumination | Color:0.02Lux@(F1.6,AGC ON),B/W:0Lux with IR |
| Shutter Time | 1s to 1/100,000s |
| Day & Night | Dual IR Cut Filter with Auto Switch |
| WDR | Digital WDR |
| Angle Adjustment | pan 0~330°,tilt 0~75°,roate 0~350° |
| Lens | |
| Lens Type | Motorized |
| Focus | 2.8-12mm |
| Lens Mount | Φ14 |
| Aperture | F1.6 |
| FOV | Horizontal field of view:105.6°~29°; Vertical field of view:58.8°~16.6° |
| Illuminator | |
| IR LEDs | 18 |
| IR Range | Up to 30m |
| Wavelength | 850nm |
| White LEDs/Warmlights | N/A |
| Compression Standard | |
| Video Compression | S+265/H.265/H.264 |
| Video Bit Rate | 32Kbps~6Mbps |
| Audio Compression | G.711A/G.711U/ADPCM_D |
| Audio Bit Rate | 8K,32K,48Kbps |
| Image | |
| Max. Resolution | 1920x1080 |
| Main Stream | PAL:25fps(1920x1080,1280x720,704x576,640x480) NTSC:30fps(1920x1080,1280x720,704x480,640x480) |
| Sub Stream | PAL:25fps(704x576,704x288,640x360,352x288) NTSC:30fps(704x480,704x240,640x360,352x240) |
| Third Stream | N/A |
| Image Setting | Saturation,brightness,contrast,sharpness,adjustable by client software or web browser |
| Image Enhancement | BLC/3D DNR/HLC |
| ROI | N/A |
| OSD | 16x16,32x32,48x48,adaptable size,Letters Such as Week,Date,Time,Total 1 Regions |
| Picture Overlay | N/A |
| Privacy Mask | Yes,4 regions |
| Smart Defog | Yes |
| Feature | |
| Alarm Trigger | Motion Detection,Mask Alarm,IP Address Conflict |
| Video Analytics | Tripwire,Perimeter |
| Early Warning(EW) | N/A |
| Network | |
| ANR | Yes(Only Support Tiandy ANR NVR) |
| Protocols | HTTP,TCP/IP,ICMP,FTP,DHCP,DNS,DDNS,RTP,RTSP,RTCP,NTP,UPnP,UDP |
| System Compatibility | ONVIF(PROFILE S/T/G),SDK,CGI,Milestone,P2P(Mutually exclusive with Profile G) |
| Remote Connection | 2 |
| Client | Easy7,EasyLive |
| Web Version | Web6 |

Tiandy

| Interface | |
|-------------------------|--|
| Communication Interface | 1 RJ45 10M/ 100M self adaptive Ethernet port |
| Audio I/O | Mic in |
| Alarm I/O | N/A |
| Speaker | N/A |
| Reset Button | Yes |
| On-board storage | Built-in MicroSD card slot, up to 512 GB |
| General | |
| Web Client Language | 17 languages English,Russian,Spanish,Korean,Italian,Turkish,Simple Chinese,Traditional Chinese,Thai,French,Polish,Dutch,Hebraism,Arabic,Vietnamese,German,Ukrainian |
| Operating Conditions | -35°C~60°C,0~95% RH |
| Power Supply | DC 12V±25%,PoE(802.3af) |
| Power Consumption | MAX:7.5W(12V) MAX:9W(PoE) |
| Protection | IP67,IK10 |
| Heater | N/A |
| Dimensions | Φ143x124mm(Φ5.63x4.88inch) |
| GrossWeight | 1.16Kg(2.55lb) |
| NetWeight | 0.86Kg(1.90lb) |

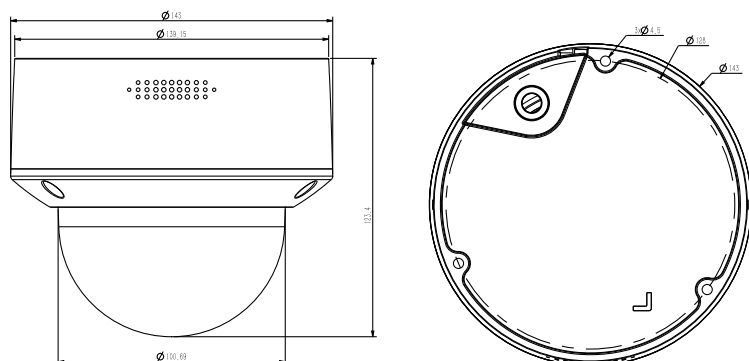
* Listed resolutions are only selectable options. It does not mean that all streams can work at their maximum resolution at the same time.

AVAILABLE MODEL

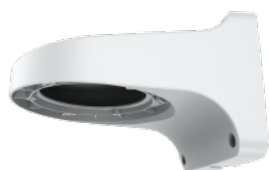
TC-C32MN SPEC: I3/A/E/Y/M/2.8-12MM/V4.0

Tiandy

DIMENSIONS (Unit: mm)



ACCESSORIES



A28
Wall Mount

TC-P54BM Spec: V3
Junction Box

DISTRIBUTED BY



Tiandy Technologies Co.,Ltd.

Email: sales@tiandy.com
Website: en.tiandy.com

Tel: +86-22-58596178
Fax: +86-22-58596048