

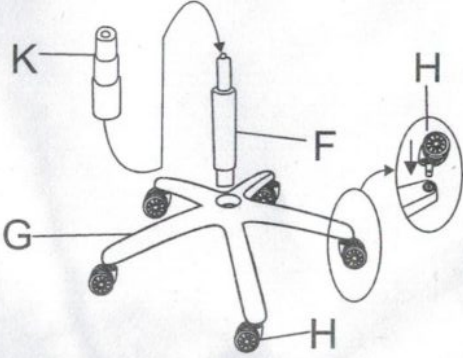
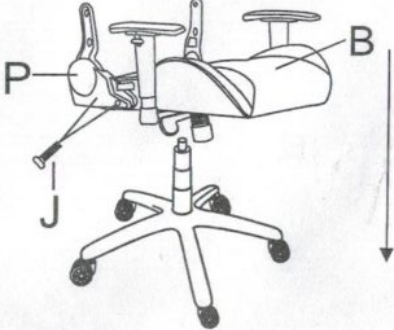


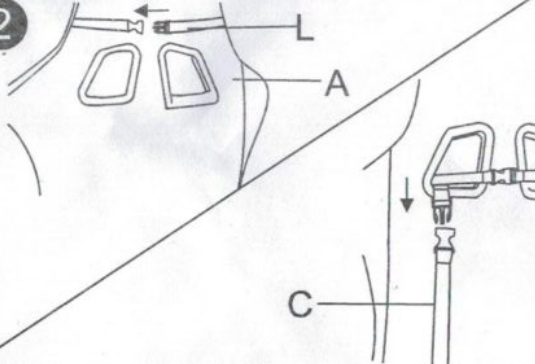
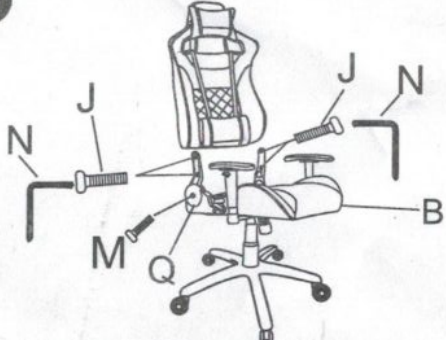
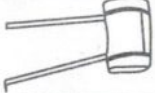

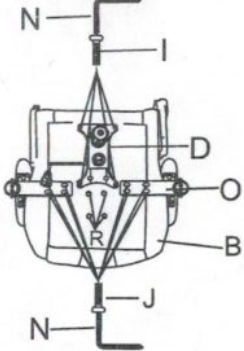

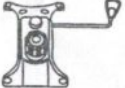










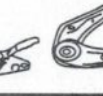





ASSEMBLY INSTRUCTIONS

<p>A  X1</p>	<p>H  X5</p>	<p>1 </p>	<p>4 </p>
<p>B  X1</p>	<p>I  X4 M8x20mm</p>	<p>2 </p>	<p>5 </p>
<p>C  X1</p>	<p>J  X16 M8x25mm</p>	<p>3 </p>	<p>6 </p>
<p>D  X1</p>	<p>K  X1</p>	<p>E1  X2</p>	<p>L  X1</p>
<p>E2  X4</p>	<p>M  X4 M5x10mm</p>	<p>F  X1</p>	<p>N  X1</p>
<p>G  X1</p>	<p>O  X1</p>	<p>P  X1</p>	<p>O  X1</p>
	<p>Q  X2</p>	<p>R  X4</p>	<p>R  X4</p>