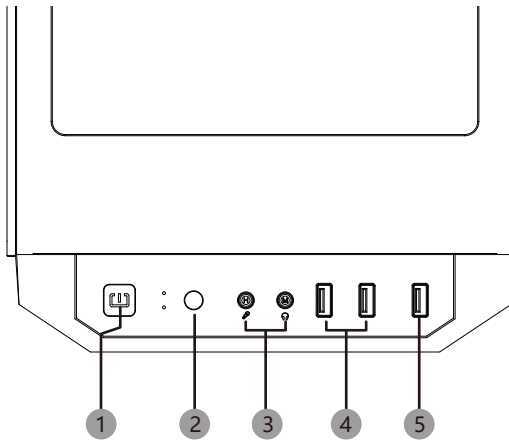


Product manual

Elox Series / AS-01B-OP

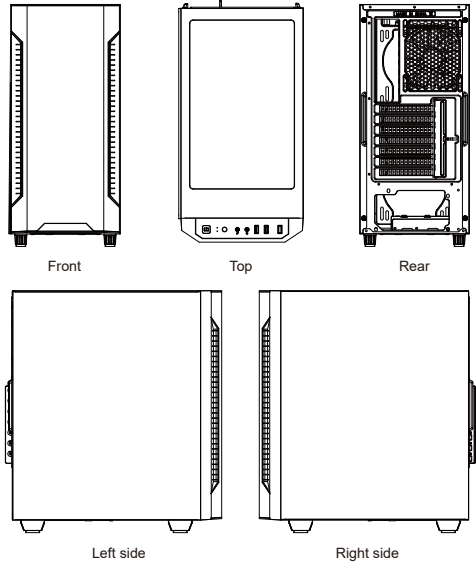
I/O PORTS



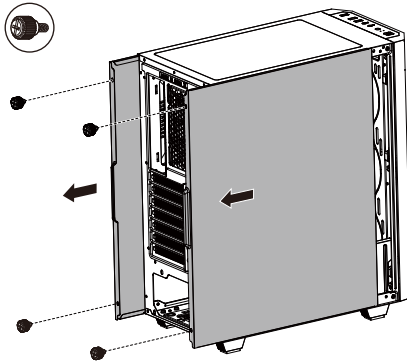
- 1 Power Switch
- 2 Reset button
- 3 HD Audio
- 4 USB 2.0
- 5 USB 3.0

SPECIFICATION

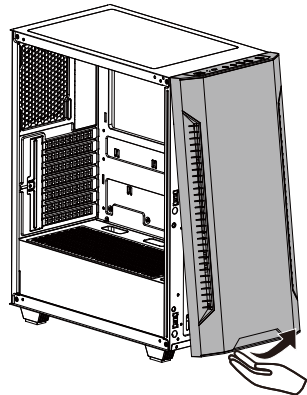
Model No.	AS-01B-OP
Materials	SPCC 0.5mm mixed thickness black inner chassis
Motherboard support	ATX/M-ATX/ITX
PSU type	ATX PSU (Bottom located)
TOP panel I/O ports	USB3.0*1+USB2.0*2, HD Audio
Drive Bays	3.5" HDD*1 + 2.5" SSD*3 or 3.5" HDD*2 + 2.5" SSD*2
Expansion Slots	7 slots , Support up to 340mm (Max.) VGA card
CPU Cooler Height	170mm
Fan Cooling	Front: 3*12cm or 2*14cm Fans(Optional)
	Top: 2*12cm or 2*14cm Fans(Optional)
	Rear: 1*12cm Fan(Optional)
	PSU Cover: 2*12cm Fans(Optional)
Liquid Cooling	Front: 120/140/240/280mm liquid cooling(Optional)
	Top: 120/140/240mm liquid cooling(Optional)
	Rear: 120mm liquid cooling(Optional)
Chassis size	(L)360 x (W)210 x (H)440mm
Case size	(L)408 x (W)210 x (H)460mm



REMOVE THE SIDE PANELS AND FRONT PANEL



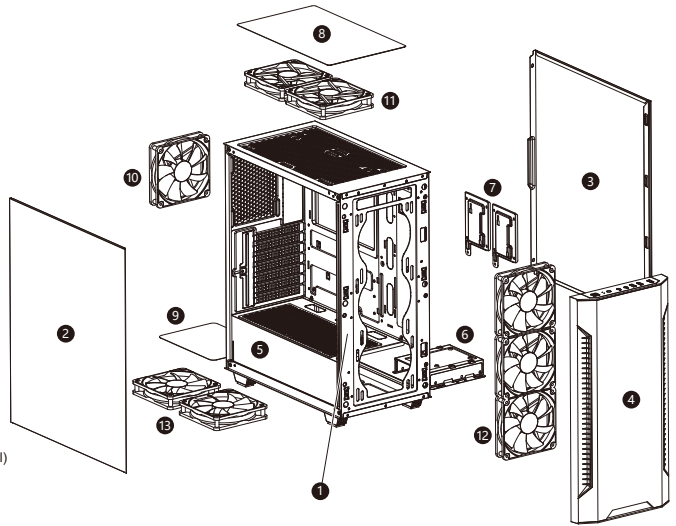
Loose the drop-proof screws, pull out the side panel toward to the arrowhead direction.



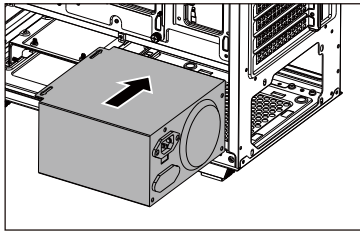
Put hand into bottom of front panel , then you can pull up it .

EXPLOSIVE VIEW

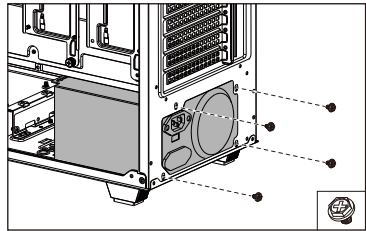
- ❶ Chassis
- ❷ Left side panel
- ❸ Right side panel
- ❹ Front panel
- ❺ PSU cover
- ❻ HDD bracket
- ❼ SSD bracket
- ❽ Magnetic dust filter on the top
- ❾ Dust filter on the bottom
- ❿ 1*120mm fan on the rear(included)
- ⓫ 2*120mm fans on the top(optional)
- ⓬ 3*120mm fans on the front(optional)
- ⓭ 2*120mm fans on the PSU cover(optional)



POWER SUPPLY INSTALLATION

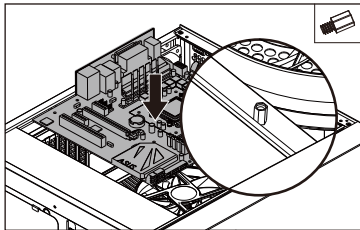


Insert PSU from left side

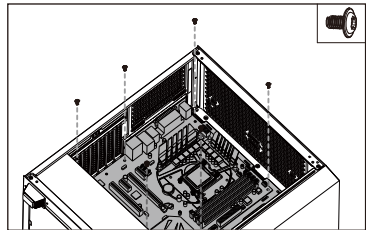


Secure with screws

MOTHERBOARD INSTALLATION

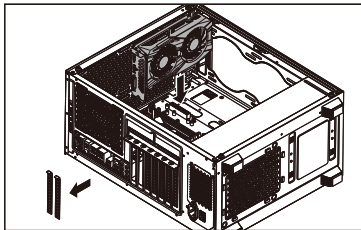


Put M/B on right position of chassis which preinstalled iron screws.

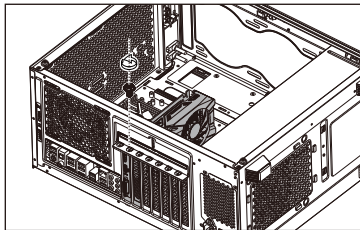


Use the provided standoffs and screws to secure the motherboard

VGA CARD INSTALLATION



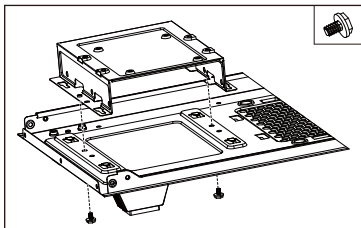
Remove the PCI slot protection cover. Install the graphics card



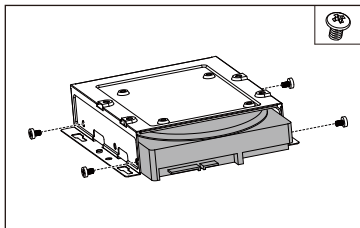
Secure it with a screw.

HDD AND SSD INSTALLATION

HDD installation

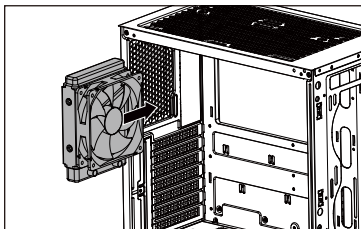


Loosen 2pcs screws for HDD bracket, pull out HDD bracket

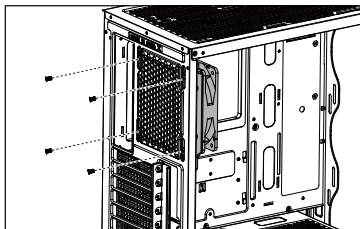


Secure with screws

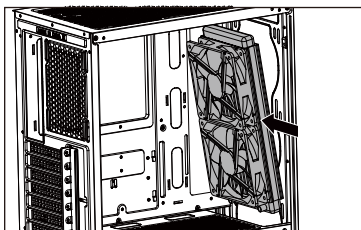
LIQUID COOLING INSTALLATION



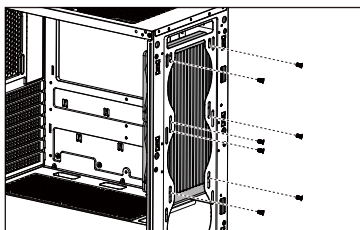
Put the 120mm radiator in the rear panel



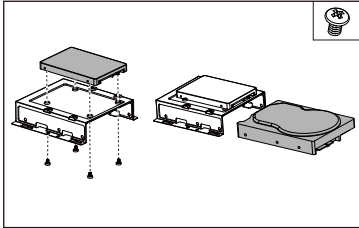
Secure with screws



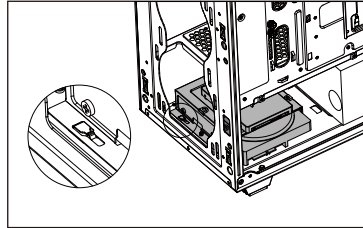
Put the radiator in the front panel



Secure with screws

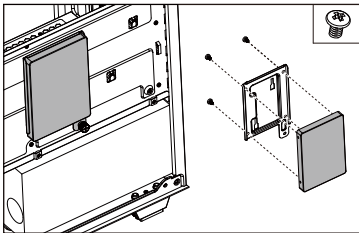


Fix SSD on bracket up side and secure with screws first, then fix HDD

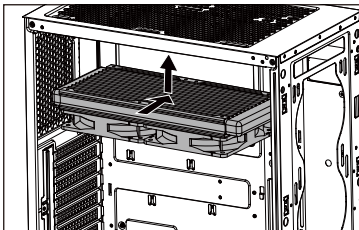


Put bracket on chassis after HDD installation, and secure with 2pcs screws

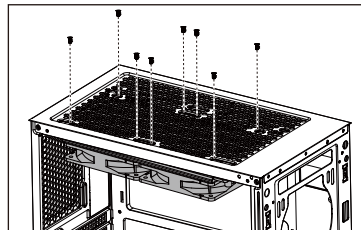
SSD installation



Take off SSD bracket, then fix SSD on bracket and lock bracket to previous place



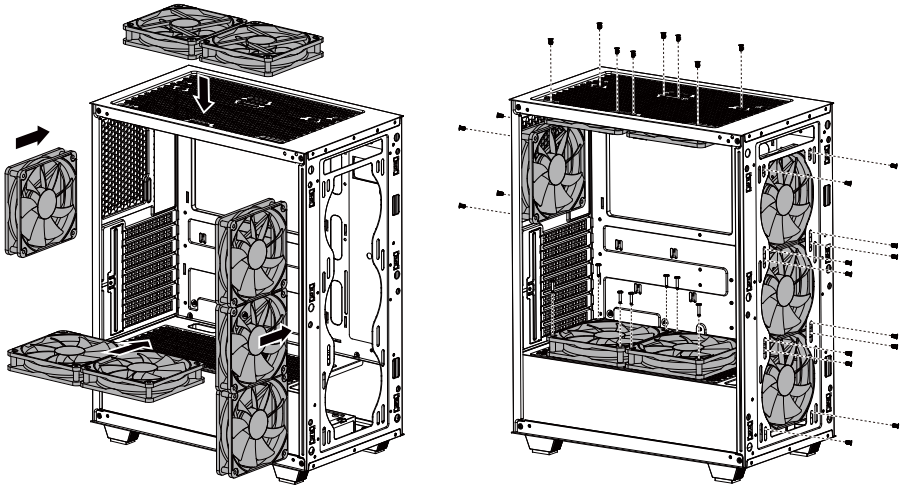
Put the radiator in the top panel



Secure with screws

Front: 120/140/240/280mm liquid cooling (optional)
 Top: 120/140/240mm liquid cooling (optional)
 Rear: 120mm liquid cooling (optional)

FAN INSTALLATION



Front: 120mm x3 or 140mm x2(optional)
Top: 120mm x2 or 140mm x2(optional)
Rear: 120mm x1 (included)
PSU Cover: 120mm x2 (optional)



Manufacturer: Arena Electronic GmbH
Koppersstr. 18 , 40549 Düsseldorf, Germany
www.chieftec.eu