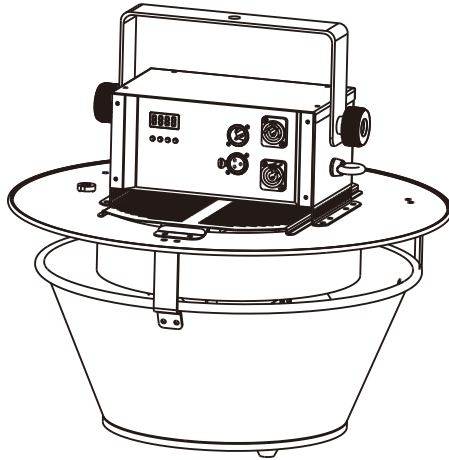




[PRO STAGE EFFECTS]



R-2 USER MANUAL

SWIRL CONFETTI FAN

◆ Foreword

Thank you very much of choosing DJPOWER R-2 SWIRL CONFETTI FAN. Before start operating, we strongly suggest you to read the user manual carefully. Following the instructions here will ensure your safety while operating the machine, easily achieve the best effect, as well as understand the right way to care for and maintain the machine, hence to prolong the product life cycle.

◆ Products Description

This is a newly designed floating confetti machine ,fit for hanging use and several unites controlled by DMX . It uses fan as driving power to blow confetti to the high sky quietly. The massive and down slowly confetti will make your celebrations and performances more colorful and attractive .If using white paper ,the paper in the air just like snowlake. If using fluorescent green paper, it will show dazzle color glow effects when turn on the ultraviolet light . Hang 10 meters high, the confetti can cover about 10 meters in diameter circular area, the higher the better effects.

◆ Products Features

- 1.Support DMX-512 and remote control.
- 2.Digital display, address code set is convenient.
- 3.Small and light ,convenient to use,quite quiet when work.
- 4.Even confetti and on a wide range .



CAUTION!Please note that the confetti can rub off when it comes into contact with moisture. Therefore, please only use confetti in or on dry, non-sensitive surroundings and surfaces. We assume no liability for damage resulting from disregard of these and other safety instructions in the operating instructions.

◆ Safety use

- 1.Keep the fixture dry. For indoor and outdoor used.
- 2.Use grounded electrical outlet. Prior to use, make sure that unit is installed at the rated voltage.
- 3.Turn off or unplug when not using it.
- 4.This machine is not water-proof. Please keep it away from moisture and water. If moisture, water, or fluid gets inside the housing, stop using it.
- 5.No user serviceable and modifiable parts inside. Do not disassemble the housing and do any modification, otherwise it might cause damage to the unit or danger of burning.
- 6.For adult use only. Fixture must be installed out of the reach of children. Never leave the unit running unattended. Keep it away from fire, combustible and flammable materials.

7. Position the machine in well-ventilated area. Please leave about 50cm spaces surrounding the unit.
8. Please do not use the fixture under high temperature.
9. If something wrong happen while using, please stop the fixture immediately, cut off the power, and check the fuse, power cable and power plug. If problem could not be resolved, please contact with your dealer.

◆ **Opening the package and inspecting the machine**

Please make sure the machine is in good condition after opening the package. If there is any damage, please contact with your dealer directly and do not power on the machine.

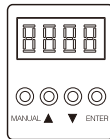
◆ **The following parts should be included when you receive the package**

1. R-2 Swirl Confetti Fan ×1
2. User manual×1

◆ **Instruction of Operation**

Connect the DMX ,turn on the power ,set up the address code ,push the console putter, then the machine start to work.

◆ **Operating instructions**



“MENU”: Menu; “▲”: Increase ; “▼”: Decrease; “ENTER”: confirmation;

Manual control function

Press “MENU”and“ENTER”can control the machine to work. When no signal from DMX, press the “MENU”and“ENTER”at the same time, the machine will work ;and will stop when press the “MENU”and“ENTER”at the same time.

◆ **DMX control**

After received the DMX signal ,the digital display only can be at the setting page of DMX address . Press UP or DOWN to increase or decrease the address value.

DMX channel is as below:

NO1: CONFETTI output.

◆ **Technical parameters**

Model:	R-2 Swirl Confetti Fan
Voltage:	AC 220-240 V, 50/60 Hz
Fuse:	F2 A/250 V
Power:	110 W
Control:	Manual and DMX control

DMX-512:	✓
Max Coverage:	80 m ² (hang 10 m high)
Max Capacity:	150 g
Max Output Time:	5 s
N. W.:	9.5 kg
G. W.:	11.5 kg
Machine Size:	445/445/368 mm
Package Size:	525/525/420 mm
DMX Channel:	1
Consumables :	Confetti

◆ **Configuration**

- 1. 3-pin DMX Socket
- 2. Digital Display
- 3. Net
- 4. Confetti Nozzle
- 5. Hanging Bracket
- 6. Knob
- 7. Safty Ring
- 8. Power In
- 9. Power Out

