

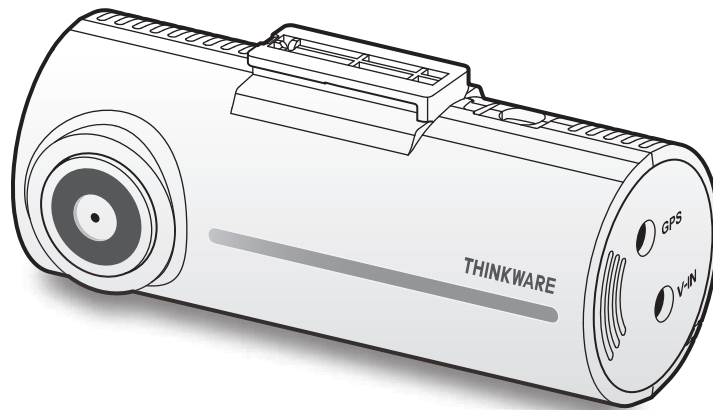
Dashboard Camera **FHD**

**THINKWARE**

# F100

## User Guide

This product records videos while the vehicle is operating.  
Read and follow the instructions in this guide to properly use and maintain the product.



# Before using the product

## About the product

This product records videos while the vehicle is operating. Use this product only for reference when investigating incidents or road accidents. This product is not guaranteed to record ALL events. The device may not properly record accidents with small impacts that are too minor to activate the impact sensor or accidents with massive impacts that cause the vehicle's battery voltage to deviate.

Video recording does not begin until the product is completely turned on (booted up). To ensure that all vehicle events are recorded, wait until the product is completely booted up after turning it on, and then begin operating the vehicle.

THINKWARE is not responsible for any loss caused by an accident, nor is it responsible for providing any support regarding the outcome of an accident.

Depending on the vehicle's configuration or operating conditions, such as the installation of remote door lock devices, ECU settings, or TPMS settings, some product features may not be supported, and different firmware versions may influence the product's performance or features.

## About the user guide

The information provided in the guide may change when the manufacturer updates its service policy.

This user guide is intended for THINKWARE F100 models only, and it may contain technical errors, editorial errors, or missing information.

## Copyrights

All rights for the content and maps in this guide are reserved by THINKWARE and are protected under copyright laws. All unauthorized duplication, revision, publication, or distribution of this guide without written consent from THINKWARE is prohibited and is eligible for criminal charges.

## Registered trademarks

THINKWARE F100 is a registered trademark of THINKWARE.

Other product logos and service names in this guide are trademarks of the relevant companies.

## Disclaimer regarding device operation outside of Canada

This THINKWARE dash cam has been pre-loaded with a firmware and GPS data that are specific for use within Canada. As such, THINKWARE does not recommend the use and operation of this dash cam, along with all of its features, outside of Canada. Doing so might result in the device not functioning properly and will void any warranties associated with this THINKWARE dash cam.

# FCC Statement

This device complies with Part 15 of the FCC Rules. Operation is subject to the following two conditions: (1) This device may not cause harmful interference, and (2) this device must accept any interference received, including interference that may cause undesired operation.

This equipment has been tested and found to comply with the limits for a Class A digital device, pursuant to Part 15 of the FCC Rules. These limits are designed to provide reasonable protection against harmful interference in a residential installation. This equipment generates, uses and can radiate radio frequency energy and, if not installed and used in accordance with the instructions, may cause harmful interference to radio communications. However, there is no guarantee that interference will not occur in a particular installation. If this equipment does cause harmful interference to radio or television reception, which can be determined by turning the equipment off and on, the user is encouraged to try to correct the interference by one or more of the following measures:

- Reorient or relocate the receiving antenna.
- Increase the separation between the equipment and receiver.
- Connect the equipment to an outlet on a circuit different from that to which the receiver is connected.
- Consult the dealer or an experienced radio/TV technician for help.

**FCC CAUTION:** Any changes or modifications to the equipment not expressly approved by the party responsible for compliance could void your authority to operate the equipment.

This Class A digital apparatus complies with Canadian ICES-003.

---

# Contents

<b>Safety information</b>	<b>5</b>	<b>5. Settings</b>	<b>26</b>
<b>1. Product overview</b>	<b>8</b>	<b>5.1 Managing the memory card</b>	<b>26</b>
<b>1.1 Included items</b>	<b>8</b>	5.1.1 Partitioning the memory card	26
1.1.1 Standard items	8	5.1.2 Formatting the memory card	26
1.1.2 Accessories (sold separately)	8	5.1.3 Configuring the video overwriting function	26
<b>1.2 Part names</b>	<b>9</b>	<b>5.2 Setting recording features</b>	<b>27</b>
1.2.1 Front camera (main unit) - front view	9	5.2.1 Setting the continuous impact detection sensitivity	27
1.2.2 Front camera (main unit) - rear view	10	5.2.2 Setting the brightness	27
1.2.3 Rear camera (optional)	10	5.2.3 Setting parking mode	28
<b>1.3 Removing and inserting the memory card</b>	<b>11</b>	5.2.4 Setting the impact sensitivity for parking mode	28
<b>2. Installing the product</b>	<b>12</b>	5.2.5 Setting the motion detection sensitivity	28
<b>2.1 Installing the front camera (main unit)</b>	<b>12</b>	5.2.6 Setting the record timer feature	29
2.1.1 Selecting an installation location	12	5.2.7 Setting the battery cutoff voltage feature	29
2.1.2 Securing the product	12	<b>5.3 Configuring the system settings</b>	<b>30</b>
2.1.3 Connecting the power cable	14	5.3.1 Setting the display language	30
<b>2.2 Installing the rear camera (optional)</b>	<b>15</b>	5.3.2 Adjusting the voice guidance volume	30
2.2.1 Selecting an installation location	15	5.3.3 Setting the time zone	30
2.2.2 Securing the rear camera	16	5.3.4 Setting the date and time	31
2.2.3 Connecting the rear camera cable	17	5.3.5 Setting the daylight saving time	31
<b>2.3 Installing the external GPS receiver (optional)</b>	<b>18</b>	5.3.6 Setting the speed unit	31
<b>3. Using recording features</b>	<b>19</b>	5.3.7 Setting the speed stamp	31
<b>3.1 Turning the product on or off</b>	<b>19</b>	5.3.8 Setting the safety cameras	32
<b>3.2 Learning about file storage locations</b>	<b>19</b>	5.3.9 Setting the mobile zone alert	32
<b>3.3 Using the continuous recording feature</b>	<b>19</b>	<b>5.4 Initializing the system settings</b>	<b>32</b>
<b>3.4 Recording manually</b>	<b>20</b>	<b>6. Upgrading the firmware</b>	<b>33</b>
<b>3.5 Using parking mode</b>	<b>20</b>	<b>7. Troubleshooting</b>	<b>34</b>
3.5.1 Checking the video file storage location	21	<b>8. Specifications</b>	<b>35</b>
<b>4. Using the PC viewer</b>	<b>22</b>		
<b>4.1 System requirements</b>	<b>22</b>		
<b>4.2 Installing the PC viewer</b>	<b>22</b>		
<b>4.3 PC viewer screen layout</b>	<b>23</b>		
<b>4.4 Playing recorded videos on the PC viewer</b>	<b>24</b>		
<b>4.5 Video control menu overview</b>	<b>25</b>		

---

# Safety information

Read the following safety information to properly use the product.

## Safety symbols in this guide



"Warning" - Indicates a potential hazard which, if not avoided, may result in injury or death.



"Caution" - Indicates a potential hazard which, if not avoided, may result in minor injury or property damage.



"Note" - Provides useful information to help users better utilize the product's features.

## Safety information for proper use

### Driving and product operation



- **Do not operate the product while driving a vehicle.** Distraction while driving may cause accidents and result in injury or death.
- **Install the product in places where the driver's view is not obstructed.** Obstruction of the driver's vision may cause accidents and result in injury or death. Check with your state and municipal laws before mounting the product to the windshield.

---

## Power supply



- **Do not operate or handle the power cable with wet hands.** Doing so may result in electrocution.
- **Do not use damaged power cables.** Doing so may result in electrical fire or electrocution.
- **Keep the power cable away from all heat sources.** Failure to do so may cause the power cord insulation to melt, resulting in electrical fire or electrocution.
- **Use the power cable with the correct connector and make sure the power cable is connected securely and is firmly in place.** Failure to do so may result in electrical fire or electrocution.
- **Do not modify or cut the power cable.** Also, do not place heavy objects on the power cable or pull, insert, or bend the power cable using excessive force. Doing so may result in electrical fire or electrocution.



- **Use only genuine accessories from THINKWARE or an authorized THINKWARE dealer.** THINKWARE does not guarantee compatibility and normal operation of third-party accessories.
- **When connecting the power cable to the product, ensure that the connection between the cable plug and the power cable connector on the product is secure.** If the connection is loose, the power cable may become disconnected due to vehicle vibration. Video recording is not available if the power connector is disconnected.

## Children and pets



- **Ensure that the product is out of the reach of children and pets.** If the product breaks, it may result in fatal damage.

---

## Other information about the product

### Product management and operation



- **Do not expose the product to direct sunlight or intense light.** The lens or internal circuitry may fail otherwise.
- **Use the product at a temperature between 14°F and 140°F (-10°C to 60°C) and store the product at a temperature between -4°F and 158°F (-20°C to 70°C).** The product may not function as designed and some permanent physical damages may result if it is operated or stored out of the specified temperature ranges. Such damages are not covered by the warranty.
- **Frequently check the product for the proper installation position.** Impact caused by extreme road conditions may alter the installation position. Ensure that the product is positioned as instructed in this guide.
- **Do not apply excessive force when pressing the buttons.** Doing so may damage the buttons.
- **Do not use chemical cleaners or solvents to clean the product.** Doing so may damage plastic components of the product. Clean the product using a clean, soft, and dry fabric.
- **Do not disassemble the product or subject the product to impact.** Doing so may damage the product. Unauthorized disassembly of the product voids the product warranty.
- **Handle with care.** If you drop, mishandle, or expose the product to external shocks, it may cause damage and/or result in the malfunction of the product.
- Do not attempt to insert foreign objects into the device.
- **Avoid excessive humidity and do not allow any water to enter the product.** Electronic components inside the product may fail if exposed to humidity or water.



- **Depending on the make and model of your car, the power may be constantly supplied to the dash cam even when the ignition is turned off. Installation of the device to a continuously powered 12V outlet could result in vehicle battery drainage.**
- This device is designed to record video while the vehicle is in operation. The quality of the video might be affected by weather conditions and the road environment, such as whether it is day or night, presence of street lighting, entering/exiting tunnels, and the surrounding temperature.
- THINKWARE is NOT responsible for the loss of any recorded video during operation.
- Although the device was designed to withstand high-impact car collisions, THINKWARE does not guarantee the recording of accidents when the device is damaged as a result of the accident.
- Keep the windshield and camera lens clean for optimal video quality. Particles and substances on the camera lens or windshield may reduce the quality of the recorded videos.
- This device is intended to be used inside the vehicle only.

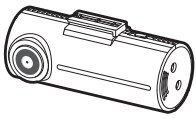
---

# 1. Product overview

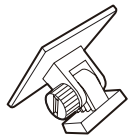
## 1.1 Included items

Ensure that all the items are included when you open the product box.

### 1.1.1 Standard items



Front camera (main unit)



Mount



Car charger



Adhesive cable holder



MicroSD memory card  
with adapter  
(consumable)



Quick start guide & Warranty  
/ CS information / User guide  
(stored in the microSD card)

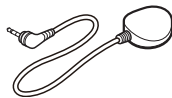


The standard items may change without prior notice.

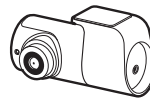
### 1.1.2 Accessories (sold separately)



Hardwiring cable



External GPS receiver

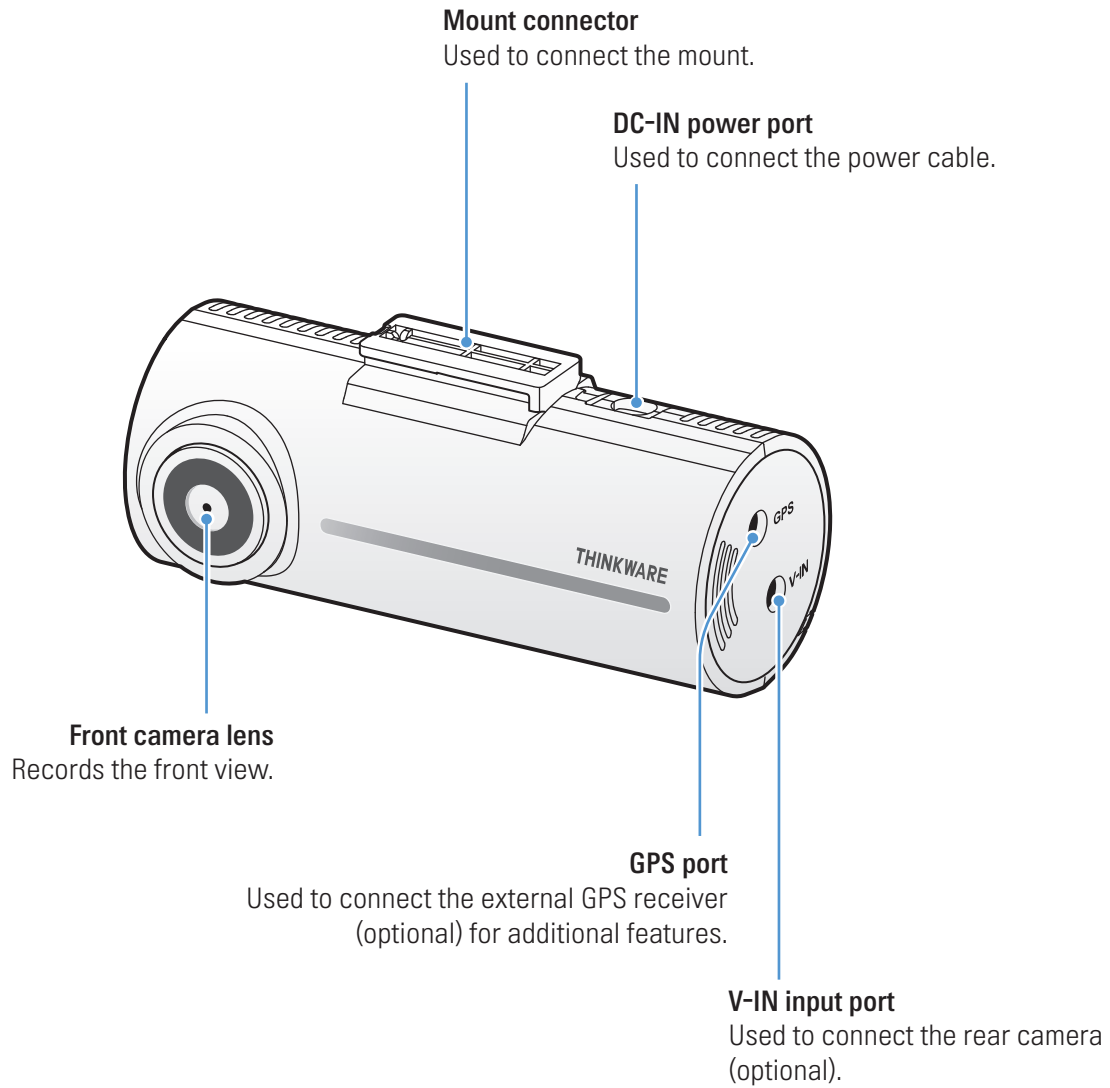


Rear camera

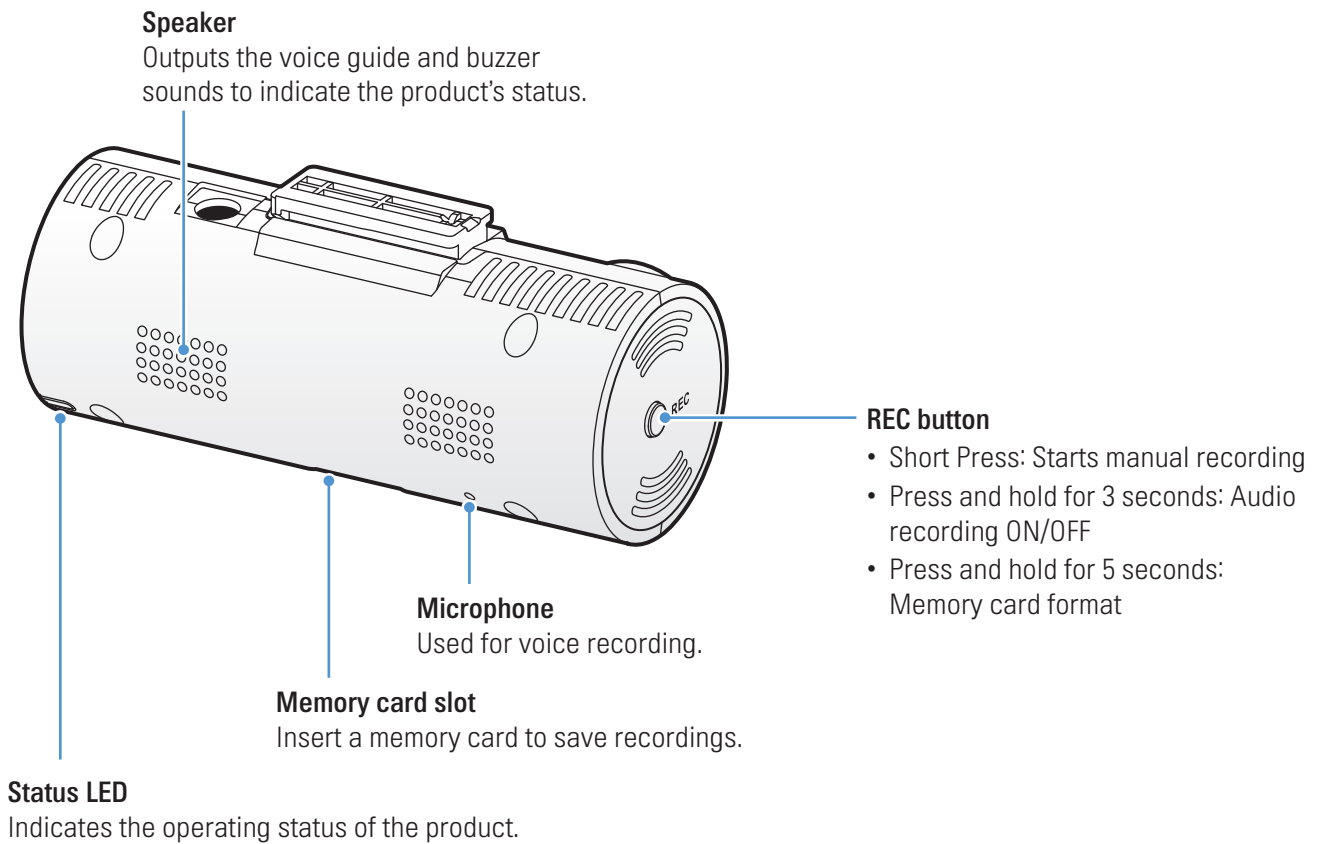


## 1.2 Part names

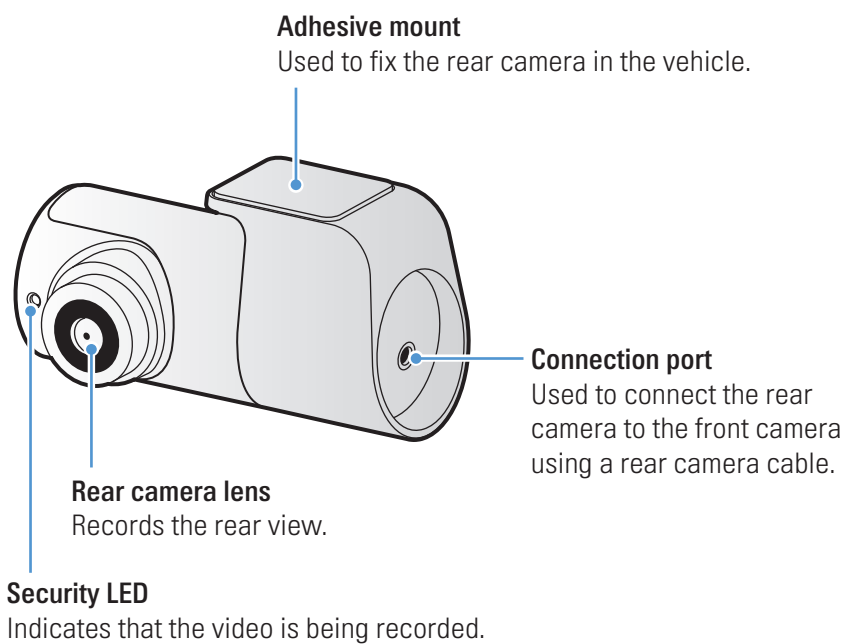
### 1.2.1 Front camera (main unit) - front view



## 1.2.2 Front camera (main unit) - rear view

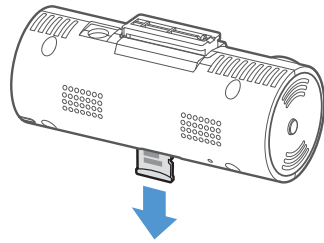
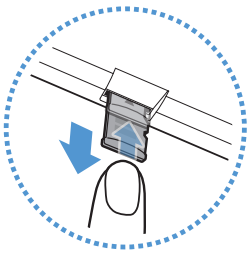


## 1.2.3 Rear camera (optional)



## 1.3 Removing and inserting the memory card

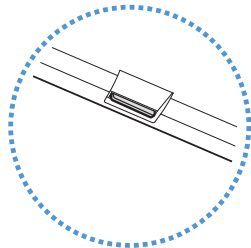
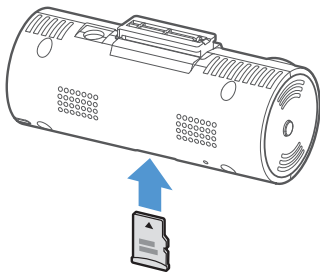
Follow the instructions to remove the memory card from the product or to insert the memory card into the product.



### Removing the memory card

Ensure that the product is turned off, and then gently push the bottom of the memory card with your fingernail. The lower part of the memory card will be exposed.

Remove it from the product.



### Inserting the memory card

Insert the memory card into the memory card slot, paying attention to the direction of the memory card, and then push the memory card into the slot until you hear a click.

Before inserting the memory card, ensure that the metal contacts on the memory card are facing toward the lens of the product.



- Ensure that the product is turned off before removing the memory card. The recorded video files may be corrupted or lost if you remove the memory card while the product is on.
- Ensure that the memory card is in the correct direction before inserting it into the product. The memory card slot or the memory card may be damaged if it is inserted incorrectly.
- Use only authentic memory cards from THINKWARE. THINKWARE does not guarantee compatibility and normal operation of third-party memory cards.



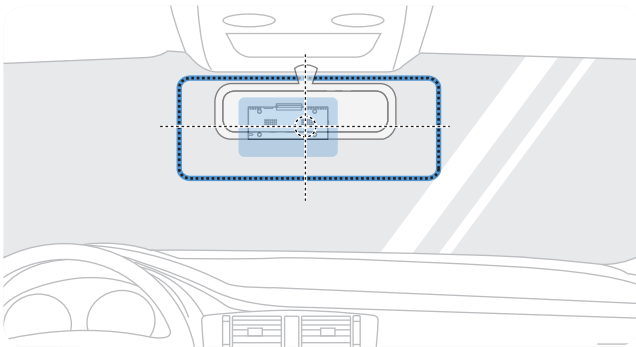
- To prevent loss of recorded video files, periodically back up the video files on a separate storage device.
- Check the status of the memory card if the status LED swiftly flickers red:
  - Ensure that the memory card is correctly inserted.
  - Ensure that the memory card has enough free space.
  - Format the memory card if it has been used for an extended period without formatting.

## 2. Installing the product

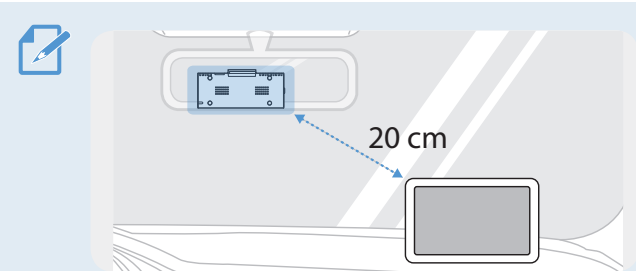
### 2.1 Installing the front camera (main unit)

Follow the instructions to properly install the product.

#### 2.1.1 Selecting an installation location



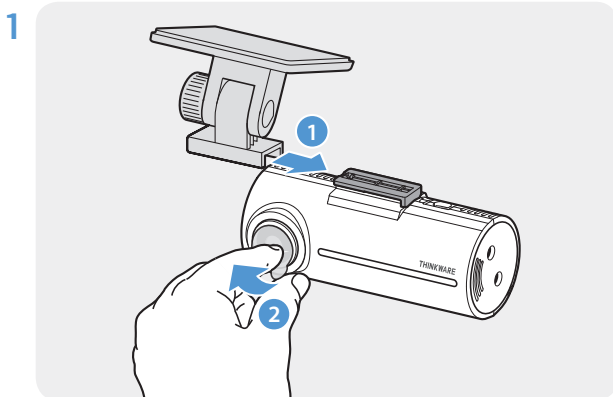
Select an installation location that can record the entire view in front of the vehicle without obstructing the driver's vision. Ensure that the front camera lens is located in the center of the windshield.



If a GPS navigating device is installed on the dashboard, its GPS reception may be affected depending on the dashboard camera's installation location. Adjust the installation location of the GPS navigating device to ensure that the two devices are separated by at least 20 centimeters (approximately 8 inches).

#### 2.1.2 Securing the product

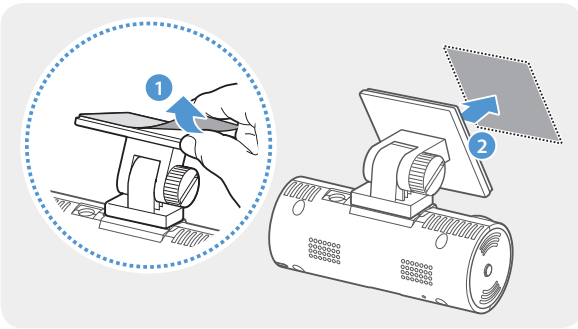
Follow the instructions to secure the product at the installation location.



Align the mount to the mount rail on the product, and then slide it until you hear a click (1). Then, carefully remove the protective film (2).

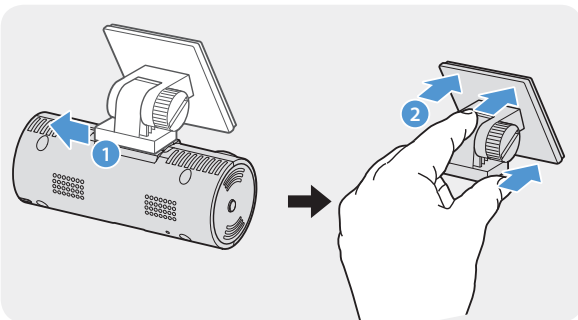
2 After determining the installation location, wipe the installation location on the windshield with a dry cloth.

3



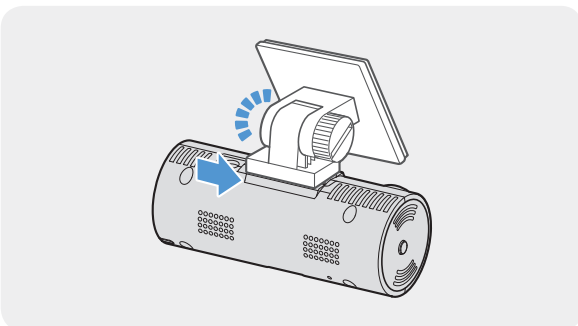
Remove the protective film from the adhesive mount, and then press the mount to the installation location.

4



Remove the product from the mount and push the mount against the windshield to ensure that the mount is firmly fixed.

5

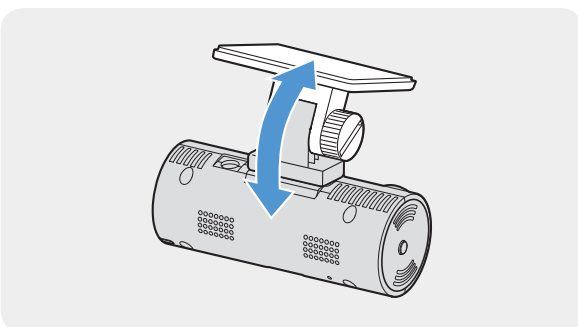


Align the product to the mount, and then slide it into the locking position until you hear a click.



- The product may fall and be damaged during vehicle operation if it is not firmly fixed to the mount.
- If you need to remove the mount from the windshield to alter the installation location, be careful not to damage the windshield's film coat.

6



Set the vertical angle of the camera appropriately and tighten the screw of the mount firmly by using a flat-head screwdriver or a coin.



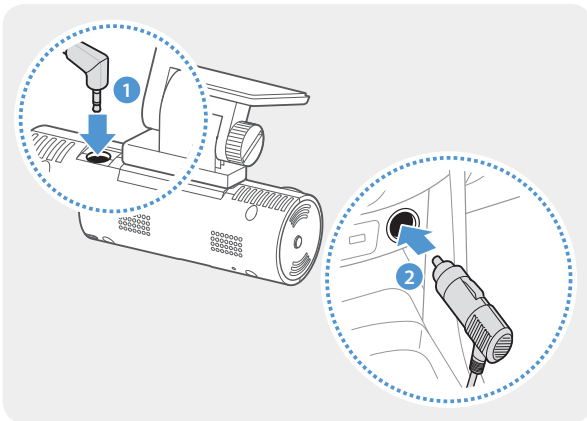
To confirm the camera angle, record a video after installation and check the video using the PC viewer. If necessary, adjust the camera angle again. For more information about the PC viewer, refer to "4. Using the PC viewer" on page 22.

## 2.1.3 Connecting the power cable

When the engine and electrical accessories are turned off, connect the car charger.



The hardwiring cable (optional) must be professionally installed to the vehicle by a trained mechanic.



Connect the car charger to the product's DC-IN power port and insert the cigar jack into the vehicle's power socket.



The location and specifications of the power socket may differ by vehicle make and model.

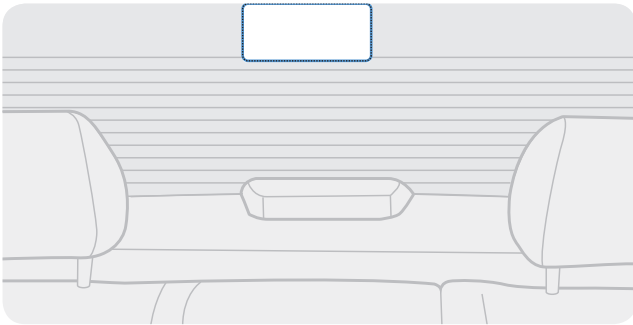


- Use the authentic THINKWARE car charger. Use of third party power cables may damage the product and result in electrical fire or electrocution due to the voltage difference.
- Do not cut or modify the power cable yourself. Doing so may damage the product or the vehicle.
- For safe driving, arrange the cables to prevent the driver's vision from being obstructed or interfering with driving. For more information about arranging cables, visit [www.thinkware.com](http://www.thinkware.com).

## 2.2 Installing the rear camera (optional)

Refer to the following instructions to properly install the rear camera.

### 2.2.1 Selecting an installation location



Select a location on the rear windshield where there is no defrost grid wire and the camera can record the entire rear view.



- For vehicles with a sunshade attached to the rear windshield, you must select a location where using the sunshade will not interfere with camera operation.
- The adhesive part of the rear camera should not touch the defrost grid.

## 2.2.2 Securing the rear camera

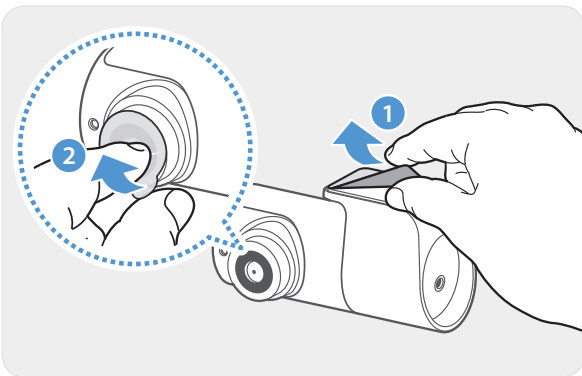
Refer to the following instructions to secure the product to the installation location.

- 1 After determining the installation location, wipe the installation surface of the windshield with a dry cloth.



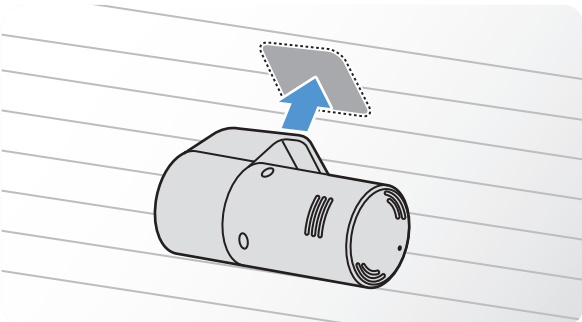
Check the installation location before you secure the rear camera to the rear windshield. After securing the rear camera to the windshield, it is hard to remove the camera or change the installation location due to the strong adhesive.

2



Remove the protective film from the adhesive mount and camera lens.

3

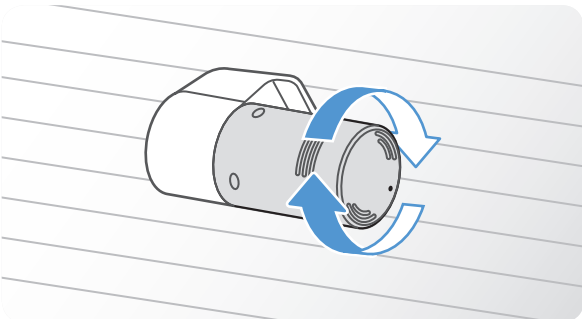


Attach the product with the THINKWARE logo facing the rear windshield and press the adhesive tape firmly to secure the camera.



If the product is fixed in reverse, the rear view will be recorded upside down.

4

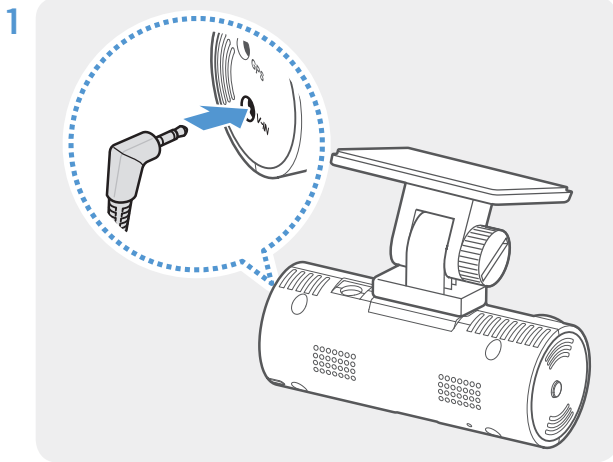


Adjust the camera's vertical angle.

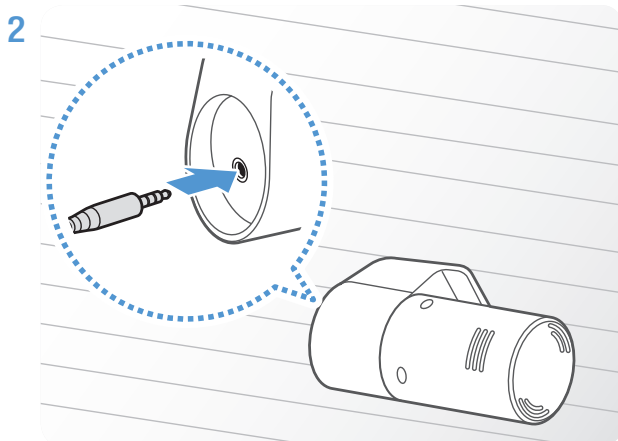


## 2.2.3 Connecting the rear camera cable

Power off the product and connect the rear camera cable to the front camera (main unit).



Connect one end of the rear camera cable to the front camera's V-IN port.



Connect the other end of the rear camera cable to the rear camera's connection port.



For safe driving, arrange the cables to prevent the driver's vision from being obstructed or interfering with driving.

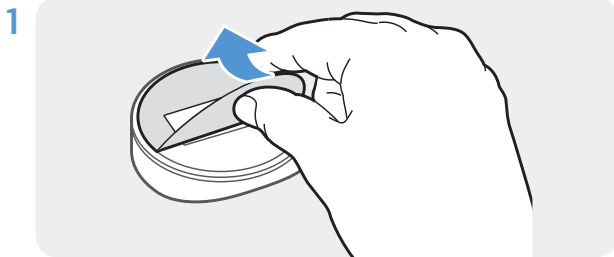
- 3 Turn on the ACC or start the engine to check if the product is powered on. After the product is powered on, the Status LED and the voice guidance will be turned on.



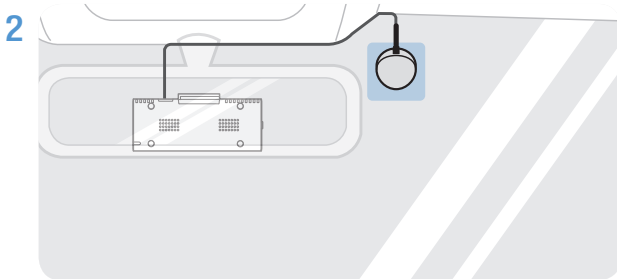
The product is powered on when the ACC mode is turned on or when the engine starts.

## 2.3 Installing the external GPS receiver (optional)

To activate the safety camera feature or record driving information (the speed and location), follow the instructions and install the external GPS receiver on the upper part of the front windshield. Install the external GPS receiver near the product, taking the receiver's cable length into account.



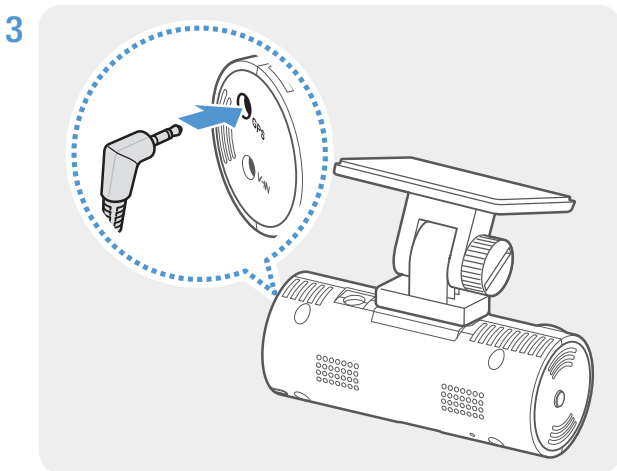
Remove the film from the back of the external GPS receiver.



Attach the external GPS receiver's adhesive surface to the upper part of the front windshield and press the adhesive part firmly to secure it.



Before installation, make sure the external GPS receiver's cable length is sufficient and check the cable routing path.



Connect the external GPS receiver to the product's GPS port.



Check the GPS port location again before connecting the receiver. If you connect the external GPS receiver to the DC-IN power port, the pins inside the port may be damaged.

4 Turn on the ACC or start the engine to check that the product is powered on. After the product is powered on, the Status LED and the voice guide are turned on.



The product is powered on when the ACC mode is turned on or when the engine starts.

## 3. Using recording features

### 3.1 Turning the product on or off

The product is turned on automatically and continuous recording starts when you turn on the ACC or start the engine.



Wait until the product is completely booted up after turning it on, and then begin operating the vehicle. The video recording does not begin until the product is completely turned on (booted up).

### 3.2 Learning about file storage locations

Videos are stored in the following folders according to their recording mode.

In the memory card					
--------------------	--	--	--	--	--



Play videos on a computer only. If you play videos by inserting the memory card in devices such as a smartphone or a tablet PC, the video files may be lost.

### 3.3 Using the continuous recording feature

Connect the power cable to the product's DC-IN power port and then turn on the vehicle's electrical accessories or start the engine. The status LED and the voice guide are turned on, and the continuous recording starts.

During continuous recording, the product operates as follows.

Mode	Operation description	Status LED
<b>Continuous recording</b>	During driving, videos are recorded in 1 minute segments and stored in the "cont_rec" folder.	(light on)
<b>Incident continuous recording*</b>	When an impact to the vehicle is detected, a video is recorded for 20 seconds, from 10 seconds before the detection to 10 seconds after the detection, and stored in the "evt_rec" folder.	(flickers swiftly)

\* When an impact to the vehicle is detected during continuous recording, incident continuous recording starts with a buzzer sound.




- Wait until the product is completely booted up after turning it on, and then begin operating the vehicle. The video recording does not begin until the product is completely turned on (booted up).
- When incident continuous recording starts, the buzzer sounds as a notification. This function saves you time when checking the status LED to know the operating status of the product.
- To enable recording, you must insert a memory card into the product.

### 3.4 Recording manually

You can record a scene you want to capture while driving and store it as a separate file.

To start manual recording, press the REC button. Then, manual recording will start with the voice guide. During manual recording, the product operates as follows.

Mode	Operation description	Status LED
Manual recording	When you press the REC button, a video will be recorded for 1 minute, from 10 seconds before to 50 seconds after pressing the button, and stored in the "manual_rec" folder.	 (flickers swiftly)

### 3.5 Using parking mode



When the product is connected to the vehicle via the hardwiring cable (optional), the operating mode is switched to parking mode with the voice guide after the engine or electrical accessories are turned off.



- Parking mode operates only when the hardwiring cable is connected. The hardwiring cable (optional) must be professionally installed to the vehicle by a trained mechanic.
- To use all recording modes, you must insert a memory card into the product.
- Depending on the battery charging status of the vehicle, the duration of parking mode may differ. If you want to use parking mode for an extended period, check the battery level to prevent battery depletion.

If you do not want to use parking mode or you want to change the mode settings, from the PC Viewer, click **Settings > Dashcam Setting > Record settings**.

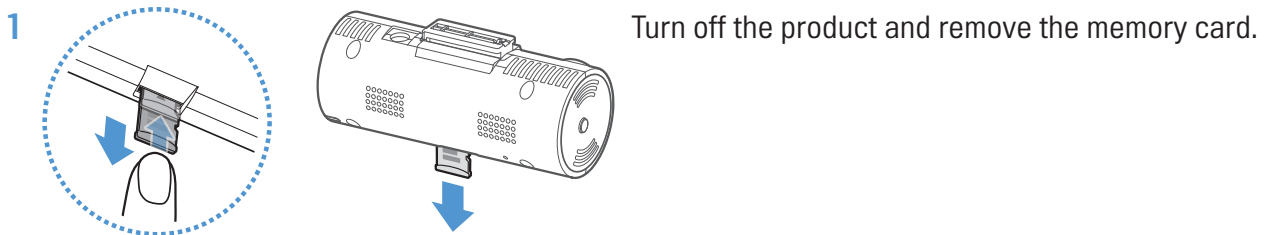
During parking recording, the product operates as follows.

Mode	Operation description	Status LED
Parking recording	When a moving object is detected while parking, a video is recorded for 20 seconds, from 10 seconds before to 10 seconds after detection, and stored in the "motion_rec" folder.	 (flickers slowly)
Incident parking recording	When an impact is detected while parking, a video is recorded for 20 seconds, from 10 seconds before to 10 seconds after detection, and stored in the "parking_rec" folder.	 (flickers swiftly)

### 3.5.1 Checking the video file storage location

You can insert the memory card used for recording into a PC to check the video file storage location. Also, you can play the videos on a PC using the PC viewer. For more information about how to play videos via the PC viewer, refer to "4. Using the PC viewer".






Follow the instructions to play the videos in the memory card on a PC.



**2** Insert the memory card into a memory card reader connected to your PC.

**3** On your PC, open the Removable Disk folder.

**4** The folder names are displayed in English. Refer to the following table to open the folder you want and check the video file list.

In the memory card	cont_rec	evt_rec	manual_rec	motion_rec	parking_rec
					



A file name is composed of the recording start date and time, and the recording option.

REC_	YYYY_MM_DD	HH_MM_SS	F	MP4
REC_	2017_07_01	10_25_30	R	MP4

#### Recording conditions

- F: Front camera
- R: Rear camera (when optional rear camera is equipped)



- Ensure that the product is turned off before removing the memory card. The recorded video files may be lost and the product may be damaged if you remove the memory card while the product is still on.
- Play videos on a computer only. If you play videos by inserting the memory card in devices such as a smartphone or a tablet PC, the video files may be lost.
- Do not store any data on the memory card other than videos recorded by the product. Doing so may cause the loss of recorded video files or product malfunction.

---

## 4. Using the PC viewer

You can view and manage the recorded videos and configure various product features on your PC.

### 4.1 System requirements

The following are the system requirements for running the PC viewer.

- Processor: Intel Core i5, or higher
- Memory: 4 GB or more
- Operating system: Windows 7 or later (64-bit is recommended), macOS X10.8 Mountain Lion or later
- Other: DirectX 9.0 or higher / Microsoft Explorer version 7.0 or higher



The PC viewer will not operate properly on PC systems running an operating system other than those listed in the system requirements.

### 4.2 Installing the PC viewer



You can download the latest PC viewer software from the THINKWARE website (<http://www.thinkware.com/Support/Download>).

#### Windows

The PC viewer installation file (setup.exe) is stored in the root folder of the memory card that is provided with the product. Follow the instructions to install the PC viewer on your PC.

- 1 Insert the memory card into a memory card reader connected to your PC.
- 2 Run the installation file, and complete the installation according to the instructions given in the installation wizard.

After the installation is complete, there will be a shortcut icon to THINKWARE Dashcam Viewer.



## Mac

- 1 Insert the memory card into a memory card reader connected to your Mac.
- 2 Move the file named "Dashcam Viewer.zip" to the desktop.
- 3 Right-click the Dashcam Viewer.zip and click Open With > Archive Utility.

The THINKWARE Dashcam Viewer opens.


### 4.3 PC viewer screen layout

The following provides brief information about the PC viewer's screen layout.

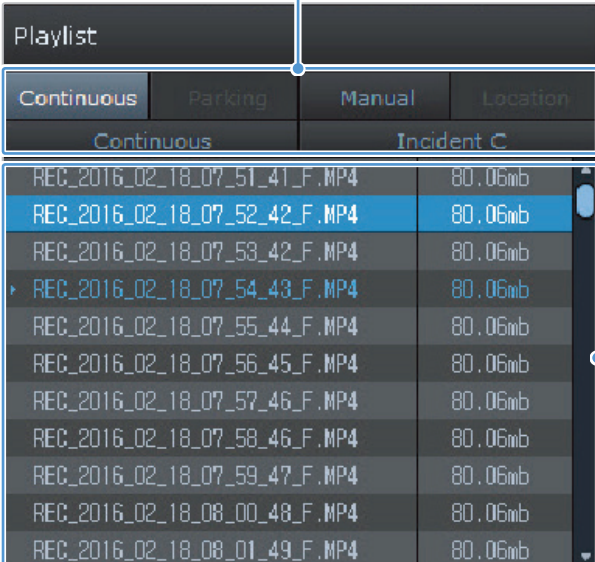


## 4.4 Playing recorded videos on the PC viewer

Follow the instructions to play recorded videos.

- 1 Turn off the product and remove the memory card.
- 2 Insert the memory card into a memory card reader connected to your PC.
- 3 Double-click the shortcut to the PC viewer (  ) to open the program. The video files in the memory card will be automatically added to the playlist in the bottom-right corner of the PC viewer screen. The playlist section layout is as follows.


Select a folder.



Playlist			
Continuous	Parking	Manual	Location
Continuous		Incident C	
REC_2016_02_18_07_51_41_F.MP4	80.06mb		
REC_2016_02_18_07_52_42_F.MP4	80.06mb		
REC_2016_02_18_07_53_42_F.MP4	80.06mb		
REC_2016_02_18_07_54_43_F.MP4	80.06mb		
REC_2016_02_18_07_55_44_F.MP4	80.06mb		
REC_2016_02_18_07_56_45_F.MP4	80.06mb		
REC_2016_02_18_07_57_46_F.MP4	80.06mb		
REC_2016_02_18_07_58_46_F.MP4	80.06mb		
REC_2016_02_18_07_59_47_F.MP4	80.06mb		
REC_2016_02_18_08_00_48_F.MP4	80.06mb		
REC_2016_02_18_08_01_49_F.MP4	80.06mb		

Displays a list of videos in the selected folder.

- 4 Double-click a video file after selecting a video folder, or click the Play button (▶) after selecting a video file. The selected video file will be played.

 If the video files on the memory card are not automatically added to the playlist when you run the PC viewer, click **File** ▾ > **Open**, select the removable storage device for the memory card, and click **Confirm**.



## 4.5 Video control menu overview

The following provides brief information about the PC viewer's video control menu.



Number	Item	Description
1	Play the previous file	Play the previous file in the currently selected folder.
2	Rewind by 10 sec.	Rewind the video by 10 sec.
3	Play/Pause	Play or pause the selected video file.
4	Stop	Stop playing the current video. The progress bar will move to the beginning of the video.
5	Skip forward by 10 sec.	Fast forward the video by 10 sec.
6	Play the next file	Play the next file in the currently selected folder.
7	Enable/Disable playing the next file in the playlist	Enables or disables the feature for playing the next file in the playlist.
8	Enlarge/Reduce image	Enlarge or reduce the size of the current video.
9	Save	Save the current video on your PC.
10	Volume	Adjust the volume of the current video.

---

## 5. Settings

You can set the product features according to your needs and preferences using the PC Viewer.

### 5.1 Managing the memory card

#### 5.1.1 Partitioning the memory card

You can partition the memory card to adjust the storage space for different types of video recordings. Refer to the following instructions to partition the memory card.

- 1 From the PC Viewer, click **Settings > Dashcam Setting > Memory Card Settings**.
- 2 From **Memory Partition**, select the desired memory partition type.
- 3 Click **Save**.

#### 5.1.2 Formatting the memory card

This menu allows you to format the memory card that is inserted in the product. Refer to the following instructions to format the memory card.

- 1 From the PC Viewer, click **Settings > Dashcam Setting > Memory Card Settings** and click the **Format** button under **Formatting Memory Card**.
- 2 From **Formatting Memory Card**, click **OK** to proceed with memory formatting. All the data stored on the memory card will be erased after the formatting. Click **Cancel** to cancel memory formatting.

#### 5.1.3 Configuring the video overwriting function

This menu allows new video files to overwrite the oldest video files in the storage reserved for each mode.

- 1 From the PC Viewer, click **Settings > Dashcam Setting > Memory Card Settings**.
- 2 From **Overwrite Videos**, select the modes to allow video overwriting.
- 3 Click **Save**.

## 5.2 Setting recording features

You can set and adjust various features for recording, including the detection sensitivity for recording when the product detects an impact during continuous recording.

### 5.2.1 Setting the continuous impact detection sensitivity

You can set the detection sensitivity for recording when an impact is detected while driving. When you set the sensitivity, you must consider the road conditions, traffic situation, and your driving style.

- 1 From the PC Viewer, click **Settings > Dashcam Setting > Record Settings**.
- 2 From **Continuous Mode Incident Recording Sensitivity**, move the bar to adjust the level.
- 3 Click **Save**.

### 5.2.2 Setting the brightness

This menu allows you to adjust the recording brightness. Follow the instructions to adjust the recording brightness.

- 1 From the PC Viewer, click **Settings > Dashcam Setting > Record Settings**.
- 2 From **Brightness**, move the bar to adjust the level.
- 3 Click **Save**.

### 5.2.3 Setting parking mode

You can set the operating mode of the product while the vehicle is parked. Follow the instructions to set parking mode.



To use parking mode, you must install the hardwiring cable (optional). If continuous power is not supplied to the product, the product will stop recording when the vehicle engine is turned off.



For more information about parking mode, refer to "3.5 Using parking mode"

- 1 From the PC Viewer, click **Settings > Dashcam Setting > Record Settings**.
- 2 From **Parking Mode Settings**, select **Enabled** or **Disabled**.
- 3 Click **Save**.

### 5.2.4 Setting the impact sensitivity for parking mode

You can set the detection sensitivity for recording when impact is detected while parking. Refer to the following instructions to set the parking impact sensitivity.

- 1 From the PC Viewer, click **Settings > Dashcam Setting > Record Settings**.
- 2 From **Impact Sensitivity in Parking Mode**, move the bar to adjust the level.
- 3 Click **Save**.

### 5.2.5 Setting the motion detection sensitivity

The Motion detection feature records a video when a moving object is detected near your vehicle. Refer to the following instructions to set the motion detection sensitivity.

- 1 From the PC Viewer, click **Settings > Dashcam Setting > Record Settings**.
- 2 From **Motion Detection Sensitivity**, move the bar to adjust the level.
- 3 Click **Save**.

## 5.2.6 Setting the record timer feature

When you activate the record timer feature, the product will record a video in parking mode at a preset time. Refer to the following instructions to set the time.

- 1 From the PC Viewer, click **Settings > Dashcam Setting > Record Settings**.
- 2 From **Record Timer**, move the bar to adjust the time.
- 3 Click **Save**.



The vehicle battery will not be charged while the vehicle is parked. If you record in parking mode for an extended period, the vehicle's battery may be depleted and you may not be able to start the vehicle. If you have installed the hardwiring cable to record the video for an extended period during parking, connect the authentic THINKWARE external dashcam battery.

## 5.2.7 Setting the battery cutoff voltage feature

You can set the voltage limit to stop recording at when using the Low Voltage Off feature. Refer to the following instructions to set the voltage.

- 1 From the PC Viewer, click **Settings > Dashcam Setting > Record Settings**.
- 2 From **Battery Cutoff Voltage**, move the bar to adjust the voltage.

For vehicles using a 12 V battery (most passenger vehicles), adjust the **12 V Battery** setting. For vehicles using the 24 V battery (trucks and commercial vehicles), adjust the **24 V Battery** setting.

- 3 Click **Save**.



If the Off voltage value is too low, the product may consume the battery completely depending on the conditions like the vehicle type or temperature.

## 5.3 Configuring the system settings

This menu allows you to configure the hardware settings that are globally applied to the system during operation, such as the display language and screen brightness.

### 5.3.1 Setting the display language

Select a language (English, French, or Spanish) to display on the screen. Follow the instructions to select a language.

- 1 From the PC Viewer, click **Settings > Dashcam Setting > System Settings**.
- 2 From **Language**, click the dropdown list and select the desired language.
- 3 Click **Save**.

### 5.3.2 Adjusting the voice guidance volume

This menu allows you to adjust the voice guidance volume. Follow the instructions to adjust the volume.

- 1 From the PC Viewer, click **Settings > Dashcam Setting > System Settings**.
- 2 From **Voice Guidance**, move the bar to adjust the volume.
- 3 Click **Save**.



If you select **OFF**, the voice guidance will be disabled.

### 5.3.3 Setting the time zone

Follow the instructions to set the time zone.

- 1 From the PC Viewer, click **Settings > Dashcam Setting > System Settings**.
- 2 From **Time Zone**, click the dropdown list and select the desired time zone.
- 3 Click **Save**.

### 5.3.4 Setting the date and time

Follow the instructions to set the date and time.

**1** From the PC Viewer, click **Settings > Dashcam Setting > System Settings**.

**2** From **Date / Time**, select the checkbox and set the date and time.

To get the current date and time automatically from your PC, click **Get Current Time**.

**3** Click **Save**.

### 5.3.5 Setting the daylight saving time

Follow the instructions to set the daylight saving time.

**1** From the PC Viewer, click **Settings > Dashcam Setting > System Settings**.

**2** From **Daylight Saving**, select **Enabled** or **Disabled**.

**3** Click **Save**.

### 5.3.6 Setting the speed unit

Follow the instructions to set the speed unit.

**1** From the PC Viewer, click **Settings > Dashcam Setting > System Settings**.

**2** From **Speed Unit**, select **km/h** or **mph**.

**3** Click **Save**.

### 5.3.7 Setting the speed stamp

Follow the instructions to turn on or off the speed stamp feature.

**1** From the PC Viewer, click **Settings > Dashcam Setting > System Settings**.

**2** From **Speed Stamp**, select **Enabled** or **Disabled**.

**3** Click **Save**.

### 5.3.8 Setting the safety cameras

When the vehicle approaches or passes the speed limit zone, the safety camera alert system will collect GPS signals and safety camera data. Refer to the following instructions to enable or disable this feature.

- 1 From the PC Viewer, click **Settings > Dashcam Setting > System Settings**.
- 2 From **Safety Cameras**, select **Enabled** or **Disabled**.
- 3 Click **Save**.

### 5.3.9 Setting the mobile zone alert

Follow the instructions to turn on or off the mobile zone alert.

- 1 From the PC Viewer, click **Settings > Dashcam Setting > System Settings**.
- 2 From **Mobile Zone Alert**, select **Enabled** or **Disabled**.
- 3 Click **Save**.

## 5.4 Initializing the system settings

This menu allows you to return all the system settings to the factory default settings. Follow the instructions to initialize the system settings.

- 1 From the PC Viewer, click **Settings > Dashcam Setting**.
- 2 Click **Initialize**.
- 3 Click **Save**.



---

## 6. Upgrading the firmware

A firmware upgrade is provided to enhance the product's features, operation or to increase stability. For optimal operation of the product, ensure that you keep the firmware up to date.

Follow the instructions to upgrade the firmware.

- 1 On your PC, open a web browser and go to <http://www.thinkware.com/Support/Download>.
- 2 Select the product and download the latest firmware upgrade file.
- 3 Unzip the downloaded file.
- 4 Disconnect power to the product and remove the memory card.
- 5 Open the memory card on a PC and copy the firmware upgrade file to the root folder of the memory card.
- 6 While the power is disconnected from the product, insert the memory card into the memory card slot on the product.
- 7 Connect the power cable to the product, and then turn on the power (ACC ON) or start the engine to turn on the product. The firmware upgrade starts automatically, and the system will restart once the firmware update is completed.



Do not disconnect the power or remove the memory card from the product during the upgrade. Doing so may cause serious damage to the product, or to the data stored in the memory card.



You can also update the firmware from the PC Viewer. A notification popup will be displayed on the PC Viewer screen when a new update file becomes available.

## 7. Troubleshooting

The following table lists the problems users may encounter while using the product and measures to resolve them. If the problem persists after taking the measures provided in the table, contact the customer service center.

Problems	Solution
Cannot power on the product	<ul style="list-style-type: none"><li>• Make sure the power cable (the car charger or the hardwiring cable) is connected to the vehicle and the product properly.</li><li>• Check the vehicle's battery level.</li></ul>
The voice guide and/or buzzer do not sound.	Check if the volume is set to the minimum. For more information about how to adjust the volume, refer to "5.3.2 Adjusting the voice guidance volume".
The video is unclear or hardly visible.	<ul style="list-style-type: none"><li>• Ensure that the protective film on the camera lens has been removed. The video may look unclear if the protective film is still on the camera lens.</li><li>• Check the installation location of the front or rear camera, turn on the product, and then adjust the camera's viewing angle.</li></ul>
The memory card cannot be recognized.	<ul style="list-style-type: none"><li>• Ensure that the memory card has been inserted in the correct direction. Before inserting the memory card, ensure that the metal contacts on the memory card are facing toward the lens of the product.</li><li>• Turn off the power, remove the memory card, and then check to ensure that the contacts in the memory card slot are not damaged.</li><li>• Ensure that the memory card is an authentic product distributed by THINKWARE. THINKWARE does not guarantee compatibility and normal operation of third-party memory cards.</li></ul>
The recorded video cannot be played on a PC.	The recorded videos are stored as MP4 video files. Ensure that the video player installed on your PC supports the playback of MP4 video files.
GPS signal cannot be received even though the external GPS receiver is installed.	<ul style="list-style-type: none"><li>• Ensure that the external GPS receiver is properly connected. For more information, refer to "2.3 Installing the external GPS receiver (optional)".</li><li>• The GPS signal may not be received in out-of-service areas, or if the product is located between tall buildings. Also, GPS signal reception may not be available during storms or heavy rain. Try again on a clear day at a location that is known to have a good GPS reception. It may take up to 5 minutes until GPS reception is established.</li></ul>

## 8. Specifications

To see the product specifications, refer to the following table.

Item	Specification	Remarks
Model name	F100	
Dimensions / Weight	78 x 34.6 x 31.5 mm / 42.4 g 3.1 x 1.4x 1.2 inch /0.1 lb	
Memory	microSD memory card	8GB (class 10), 16 GB, 32 GB, 64 GB (UHS-I)
Recording mode	Continuous Rec	Records videos in 1-minute segments (dual channels are supported for recording the front and rear view)
	Incident Rec	Records 10 seconds before and after the incident (total 20 seconds)
	Manual Rec	Records from 10 seconds before and 50 seconds after manually starting the recording (total 1 minute)
	Parking Rec (parking mode)	Requires the hardwiring cable installation
Camera sensor	2.12 M pixels 1/5.78" CMOS 1080P	
Angle of view	Approximately 135° (diagonally)	
Video	FHD (1920 X 1080) /H.264/ file extension: MP4	
Frame rate	Maximum 30 fps	Applies equally to the front / rear recording
Audio	PCM (pulse code modulation)	
Acceleration sensor	Triaxial acceleration sensor (3D, ±3G)	5 levels for sensitivity adjustment available
Rear camera	V-IN port	Stereo socket 2.5 Ø / quadropole
GPS	External GPS receiver (optional)	Safety driving section alert supported, stereo socket 2.5 Ø / quadropole
Power input	DC 12 / 24 V supported	
Power consumption	2ch: 3.25 W / 1ch: 2.2 W (mean)	Except for the fully charged supercapacitor / GPS
Auxiliary power unit	Super capacitor	
LED indicator	Status LED	
Alarm	Built-in speakers	Voice guide (buzzer sounds)
Operating temperature	14 – 140°F / -10 – 60°C	
Storage temperature	-4 – 158°F / -20 – 70°C	

### **Before contacting a service center**

Please back up all important data stored in the memory card. The data in the memory card may be deleted during repair. Every product requested for repair is regarded as a device that has had its data backed up. The customer service center does not back up your data. THINKWARE is not responsible for any loss, such as data loss.

<http://www.thinkware.com>