

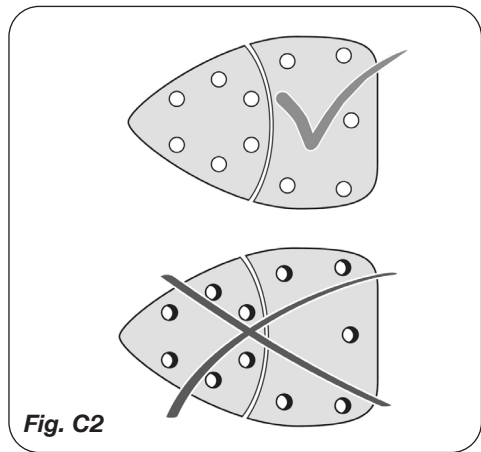
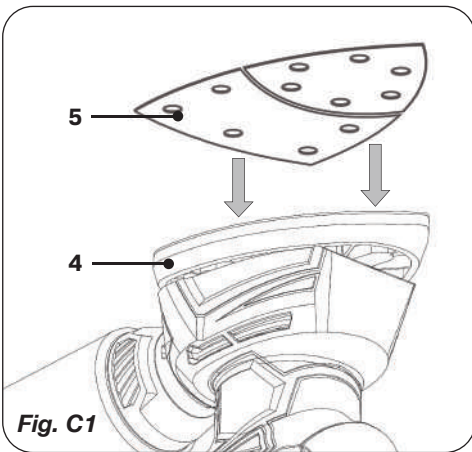
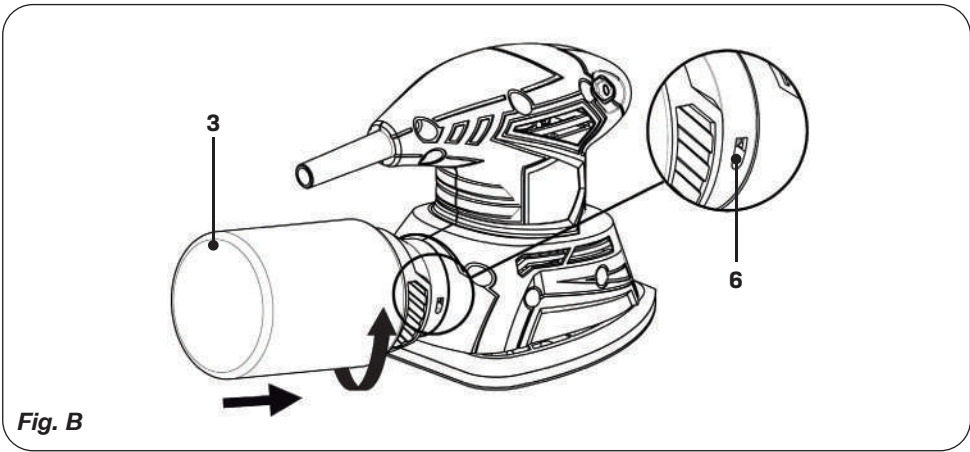
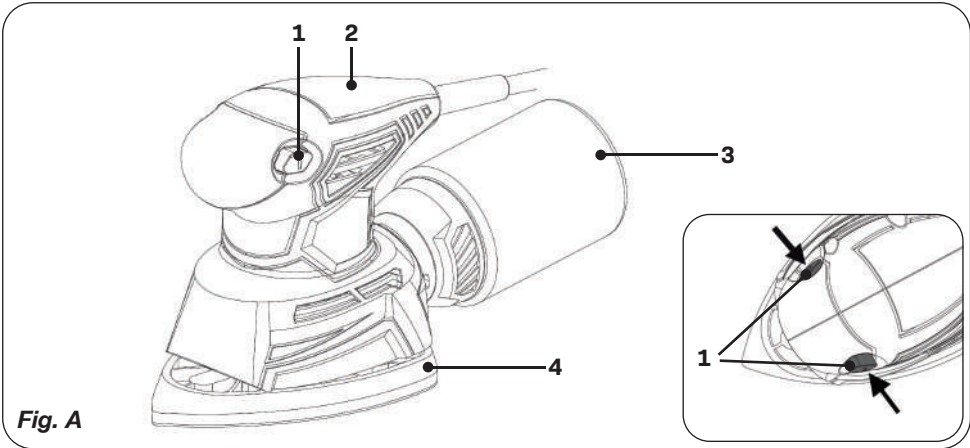
# FERM®

POWER SINCE 1965



## PSM1035

EN	Original instructions	03	LT	Originalios instrukcijos vertimas	78
DE	Übersetzung der Originalbetriebsanleitung	08	LV	Instrukciju tulkojums no oriģinālvalodas	83
NL	Vertaling van de oorspronkelijke gebruiksaanwijzing	12	ET	Algupärase kasutusjuhendi tõlge	87
FR	Traduction de la notice originale	17	RO	Traducere a instrucțiunilor originale	92
ES	Traducción del manual original	22	HR	Prevedeno s izvornih uputa	97
PT	Tradução do manual original	27	SR	Prevod originalnog uputstva	101
IT	Traduzione delle istruzioni originali	32	BS	Prevod originalnog uputstva	101
SV	Översättning av bruksanvisning i original	37	RU	Перевод исходных инструкций	106
FI	Alkuperäisten ohjeiden käänös	41	UK	Переклад оригінальних інструкцій	112
NO	Oversatt fra original veiledning	46	EL	Μετάφραση του πρωτότυπου των οδηγιών χρήσης	117
DA	Oversættelse af den originale brugsanvisning	50	BG	Превод на оригиналната инструкция	123
HU	Eredeti használati utasítás fordítása	55	AR	تحويل النص الأصلي إلى اللغة العربية	128
CS	Překlad původního návodu k používání	59	TR	Orijinal talimatların çevirisi	132
SK	Prevod izvirnih navodil	67	MK	Оригинални упатства	136
SL	Preklad pôvodného návodu na použitie	68			
PL	Tłumaczenie instrukcji oryginalnej	73			



## Detail Sander 130W

Thank you for buying this Ferm product. By doing so you now have an excellent product, delivered by one of Europe's leading suppliers. All products delivered to you by Ferm are manufactured according to the highest standards of performance and safety. As part of our philosophy we also provide an excellent customer service, backed by our comprehensive warranty. We hope you will enjoy using this product for many years to come.

### 1. SAFETY INSTRUCTIONS



**Read the enclosed safety warnings, the additional safety warnings and the instructions.** Failure to follow the safety warnings and the instructions may result in electric shock, fire and/or serious injury. **Save the safety warnings and the instructions for future reference.**

The following symbols are used in the user manual or on the product:



Read the user manual.



Risk of personal injury.



Risk of electric shock.



Immediately remove the mains plug from the mains if the mains cable becomes damaged and during cleaning and maintenance.



Wear safety goggles.  
Wear hearing protection.



Wear a dust mask.



Double insulated.



Do not dispose of the product in unsuitable containers.



The product is in accordance with the applicable safety standards in the European directives.

### GENERAL POWER TOOL SAFETY WARNINGS



#### WARNING!

**Read all safety warnings, instructions, illustrations and specifications provided with this power tool.** Failure to follow all instructions listed below may result in electric shock, fire and/or serious injury.

Save all warnings and instructions for future reference.

The term "power tool" in the warnings refers to your mains-operated (corded) power tool or battery-operated (cordless) power tool.

#### 1) Work area safety

- Keep work area clean and well lit.** Cluttered or dark areas invite accidents.
- Do not operate power tools in explosive atmospheres, such as in the presence of flammable liquids, gases or dust.** Power tools create sparks which may ignite the dust or fumes.
- Keep children and bystanders away while operating a power tool.** Distractions can cause you to lose control.

#### 2) Electrical safety

- Power tool plugs must match the outlet. Never modify the plug in any way. Do not use any adapter plugs with earthed (grounded) power tools.** Unmodified plugs and matching outlets will reduce risk of electric shock.
- Avoid body contact with earthed or grounded surfaces, such as pipes, radiators, ranges and refrigerators.** There is an increased risk of electric shock if your body is earthed or grounded.
- Do not expose power tools to rain or wet conditions.** Water entering a power tool will increase the risk of electric shock.
- Do not abuse the cord. Never use the cord for carrying, pulling or unplugging the power tool. Keep cord away from heat, oil, sharp edges or moving parts.** Damaged or entangled cords increase the risk of electric shock.

- e) **When operating a power tool outdoors, use an extension cord suitable for outdoor use.** *Use of a cord suitable for outdoor use reduces the risk of electric shock.*
- f) **If operating a power tool in a damp location is unavoidable, use a residual current device (RCD) protected supply.** *Use of an RCD reduces the risk of electric shock.*
- 3) Personal safety**
- a) **Stay alert, watch what you are doing and use common sense when operating a power tool. Do not use a power tool while you are tired or under the influence of drugs, alcohol or medication.** *A moment of inattention while operating power tools may result in serious personal injury.*
- b) **Use personal protective equipment. Always wear eye protection.** *Protective equipment such as dust mask, non-skid safety shoes, hard hat, or hearing protection used for appropriate conditions will reduce personal injuries.*
- c) **Prevent unintentional starting. Ensure the switch is in the off-position before connecting to power source and/or battery pack, picking up or carrying the tool.** *Carrying power tools with your finger on the switch or energising power tools that have the switch on invites accidents.*
- d) **Remove any adjusting key or wrench before turning the power tool on.** *A wrench or a key left attached to a rotating part of the power tool may result in personal injury.*
- e) **Do not overreach. Keep proper footing and balance at all times.** *This enables better control of the power tool in unexpected situations.*
- f) **Dress properly. Do not wear loose clothing or jewellery. Keep your hair, clothing and gloves away from moving parts.** *Loose clothes, jewellery or long hair can be caught in moving parts.*
- g) **If devices are provided for the connection of dust extraction and collection facilities, ensure these are connected and properly used.** *Use of dust collection can reduce dust related hazards.*
- h) **Do not let familiarity gained from frequent use of tools allow you to become complacent and ignore tool safety principles.** *A careless action can cause severe injury within a fraction of a second.*
- 4) Power tool use and care**
- a) **Do not force the power tool. Use the correct power tool for your application.** *The correct power tool will do the job better and safer at the rate for which it was designed.*
- b) **Do not use the power tool if the switch does not turn it on and off.** *Any power tool that cannot be controlled with the switch is dangerous and must be repaired.*
- c) **Disconnect the plug from the power source and/or the battery pack from the power tool before making any adjustments, changing accessories, or storing power tools.** *Such preventive safety measures reduce the risk of starting the power tool accidentally.*
- d) **Store idle power tools out of the reach of children and do not allow persons unfamiliar with the power tool or these instructions to operate the power tool.** *Power tools are dangerous in the hands of untrained users.*
- e) **Maintain power tools. Check for misalignment or binding of moving parts, breakage of parts and any other condition that may affect the power tool's operation. If damaged, have the power tool repaired before use.** *Many accidents are caused by poorly maintained power tools.*
- f) **Keep cutting tools sharp and clean.** *Properly maintained cutting tools with sharp cutting edges are less likely to bind and are easier to control.*
- g) **Use the power tool, accessories and tool bits etc. in accordance with these instructions, taking into account the working conditions and the work to be performed.** *Use of the power tool for operations different from those intended could result in a hazardous situation.*
- h) **Keep handles and grasping surfaces dry, clean and free from oil and grease.** *Slippery handles and grasping surfaces do not allow for safe handling and control of the tool in unexpected situations.*

## 6) Service

- a) **Have your power tool serviced by a qualified repair person using only identical replacement parts.** *This will ensure that the safety of the power tool is maintained.*

### Additional safety warnings for delta sanders



*Contact with or inhalation of dust coming free during use (e.g. lead-painted surfaces, wood and metal) can endanger your health and the health of bystanders. Always wear appropriate protective equipment, such as a dust mask. Always use proper dust extraction during use.*

- Do not work materials containing asbestos. Asbestos is considered carcinogenic.
- Do not use the machine for sanding magnesium workpieces.
- Wear safety goggles. Wear hearing protection. If necessary, use other protective means, such as safety gloves, safety shoes, etc.
- Hold the machine by the insulated gripping surfaces where the accessory may contact hidden wiring or the mains cable. If the accessory contacts a ‚live‘ wire, the exposed metal parts of the machine can also become ‚live‘. Risk of electric shock.
- Be very careful when sanding painted surfaces.
- Before use, remove all nails and other metal objects from the workpiece.
- Make sure that the workpiece is properly supported or fixed.
- Only use sanding paper that is suitable for use with the machine.
- Only use sanding paper with the correct dimensions. Make sure that the sanding paper is properly mounted.
- Inspect the sanding paper before each use. Do not use sanding paper that is worn because of prolonged use.
- Never put the machine down on a table or a workbench before it has been switched off.

### Electrical safety



*Always check that the voltage of the power supply corresponds to the voltage on the rating plate.*

- Do not use the machine if the mains cable or

the mains plug is damaged.

- If the replacement of the **supply cord** is necessary, this has to be done by the manufacturer or his agent in order to avoid a safety hazard.
- Only use extension cables that are suitable for the power rating of the machine with a minimum thickness of 1.5 mm<sup>2</sup>. If you use an extension cable reel, always fully unroll the cable.

### Technical data

<b>Model No.</b>	<b>PSM1035</b>
Mains voltage	230 V~
Mains frequency	50 Hz
Power input	130 W
No-load speed	14,000 min <sup>-1</sup>
Weight	0.68 kg

### NOISE AND VIBRATION

Sound pressure (L <sub>pa</sub> )	76 + 3 dB(A)
Acoustic power (L <sub>wa</sub> )	87 + 3 dB(A)
Vibration	3.017 + 1.5 m/s <sup>2</sup>



*Wear hearing protection.*

### Vibration level

The vibration emission level stated in this instruction manual has been measured in accordance with a standardised test given in EN 62841-1, EN 62841-2-4; it may be used to compare one tool with another and as a preliminary assessment of exposure to vibration when using the tool for the applications mentioned:

- the vibration emission during actual use of the power tool can differ from the declared total value depending on the ways in which the tool is used;
- need to identify safety measures to protect the operator that are based on an estimation of exposure in the actual conditions of use (taking account of all parts of the operating cycle such as the times when the tool is switched off and when it is running idle in addition to the trigger time).

Protect yourself against the effects of vibration by maintaining the tool and its accessories, keeping your hands warm, and organizing your work patterns

## 2. DESCRIPTION (FIG. A)

### Intended use

The machine is designed for sanding wood, plastics and metal. This machine is suitable only for dry sanding. The machine is not suitable for processing objects containing asbestos. Improper use may damage the tool.

The numbers in the text refer to the diagrams on page 2.

1. On/off switch
2. Grip
3. Dust box
4. Sanding pad
5. Sanding paper
6. Slot

## 3. ASSEMBLY



*Before assembly, always switch off the machine and remove the mains plug from the mains.*

### Connecting the dust box (Fig. B)

It is highly recommended to use the machine with the dust box (3), ensuring optimal dust collection.

- Slide the slot in the dust box over the notch on the rear dust outlet.
- To ensure the dust box is inserted securely, push the dust box until a click-noise can be heard.

*Note:* The dust box should be emptied when the box is half full to maintain optimal dust collection.

### Mounting and removing sanding paper (Fig. C)

- Hold the machine on its side or upside down, as shown on Fig. C1.
- Mount sanding paper (5) with the required grain size onto the sanding pad (4). Make sure that the perforation in the sanding paper (5) corresponds with the perforation on the sanding pad (4), as shown on Fig. C2.
- To remove the sanding paper (5), simply pull the sanding paper from the sanding pad (4).

*Note:* Use coarse sanding paper for sanding rough, uneven surfaces. Use medium sanding paper for removing the remaining scratches from the coarse sanding paper. Use fine sanding paper for finishing surfaces.

### Replacing the sanding pad (fig. D)

In case of wear, the sanding pad must be replaced.

- If necessary, remove the sanding paper.
- Loosen the screws from the sanding pad (4).
- Remove the old sanding pad.
- Mount the new sanding pad.
- Tighten the screws to the sanding pad (4).

## 4. USE

### Switching on and off (fig. A)

- To switch on the machine, set the on/off switch (1) to the 'I' position.
- To switch off the machine, set the on/off switch (1) to the '0' position.

### Hints for optimum use

- Firmly hold the machine by the grip.
- Switch on the machine.
- Place the sanding pad with sanding paper on the workpiece.
- Slowly move the machine over the workpiece, firmly pressing the sanding pad against the workpiece.
- Do not apply too much pressure on the machine. Let the machine do the work.

## 5. MAINTENANCE



*Before cleaning and maintenance, always switch off the machine and remove the battery pack from the machine.*

Clean the machine casings regularly with a soft cloth, preferably after each use. Make sure that the ventilation openings are free of dust and dirt. Remove very persistent dirt using a soft cloth moistened with soapsuds. Do not use any solvents such as gasoline, alcohol, ammonia, etc. Chemicals such as these will damage the synthetic components.

## ENVIRONMENT



*Faulty and/or discarded electrical or electronic apparatus have to be collected at the appropriate recycling locations.*

### Only for EC countries

Do not dispose of power tools into domestic waste. According to the European Guideline 2012/19/EC for Waste Electrical and Electronic Equipment and its implementation into national right, power tools that are no longer usable must be collected separately and disposed of in an environmentally friendly way.

## WARRANTY

Consult the enclosed warranty terms.

## FEINSCHLEIFER 130W

Vielen Dank für den Kauf dieses Ferm Produkts. Hiermit haben Sie ein ausgezeichnetes Produkt erworben, dass von einem der führenden Lieferanten Europas geliefert wird. Alle von Ferm an Sie gelieferten Produkte sind nach den höchsten Standards von Leistung und Sicherheit gefertigt. Teil unserer Firmenphilosophie ist es auch, Ihnen einen ausgezeichneten Kundendienst anbieten zu können, der von unserer umfassenden Garantie unterstützt wird. Wir hoffen, dass Sie viele Jahre Freude an diesem Produkt haben.

## 1. SICHERHEITSANWEISUNGEN



**Lesen Sie die beiliegenden Sicherheitsanweisungen, die zusätzlichen Sicherheitsanweisungen sowie diese Bedienungsanleitung sorgfältig durch. Bei**

**Nichtbeachten der Sicherheitsanweisungen und der Bedienungsanleitung kann es zu einem Stromschlag, einem Brand und/oder schweren Verletzungen kommen. Bewahren Sie die Sicherheitsanweisungen und die Bedienungsanleitung zur künftigen Bezugnahme sicher auf.**

Folgende Symbole werden im Benutzerhandbuch oder auf dem Produkt verwendet:



Lesen Sie das Benutzerhandbuch.



Gefahr von Personenverletzungen.



Gefahr eines Stromschlags.



Ziehen Sie sofort den Netzstecker aus der Steckdose, falls das Netzkabel beschädigt wird sowie bei der Reinigung und Wartung.



Tragen Sie eine Schutzbrille.  
Tragen Sie einen Gehörschutz.



Tragen Sie eine Staubmaske.





Schutzisoliert.



Entsorgen Sie das Produkt nicht in hierfür nicht vorgesehenen Abfallbehältern.



Das Produkt entspricht den geltenden Sicherheitsnormen der europäischen Richtlinien.

## ALLGEMEINE SICHERHEITSHINWEISE



### WARNUNG

**Lesen und beachten Sie alle Sicherheitswarnungen, Anweisungen, Abbildungen und Spezifikationen, die mit diesem Elektrowerkzeug geliefert werden.** Die Nichtbeachtung aller der nachfolgend aufgeführten Anweisungen kann in einem Stromschlag, Brand und/oder in schweren Verletzungen resultieren.

### Bewahren Sie alle Sicherheitshinweise und Anweisungen für die Zukunft auf.

Der in den Sicherheitshinweisen verwendete Begriff „Elektrowerkzeug“ bezieht sich auf netzbetriebene Elektrowerkzeuge (mit Netzleitung) oder auf akkubetriebene Elektrowerkzeuge (ohne Netzleitung).

#### 1) Arbeitsplatzsicherheit

- a) **Halten Sie Ihren Arbeitsbereich sauber und gut beleuchtet.** Unordnung oder unbeleuchtete Arbeitsbereiche können zu Unfällen führen.
- b) **Arbeiten Sie mit dem Elektrowerkzeug nicht in explosionsgefährdeter Umgebung, in der sich brennbare Flüssigkeiten, Gase oder Stäube befinden.** Elektrowerkzeuge erzeugen Funken, die den Staub oder die Dämpfe entzünden können.
- c) **Halten Sie Kinder und andere Personen während der Benutzung des Elektrowerkzeugs fern.** Bei Ablenkung können Sie die Kontrolle über das Elektrowerkzeug verlieren.

#### 2) Elektrische Sicherheit

- a) **Der Anschlussstecker des Elektrowerkzeugs muss in die Steckdose passen. Der Stecker darf in keiner Weise verändert werden. Verwenden Sie keine Adapter-**

**stecker gemeinsam mit schutzgeerdeten Elektrowerkzeugen.** Unveränderte Stecker und passende Steckdosen verringern das Risiko eines elektrischen Schlages.

- b) **Vermeiden Sie Körperkontakt mit geerdeten Oberflächen wie von Röhren, Heizungen, Herden und Kühlschränken.** Es besteht ein erhöhtes Risiko durch elektrischen Schlag, wenn Ihr Körper geerdet ist.
  - c) **Halten Sie Elektrowerkzeuge von Regen oder Nässe fern.** Das Eindringen von Wasser in ein Elektrowerkzeug erhöht das Risiko eines elektrischen Schlages.
  - d) **Zweckentfremden Sie die Anschlussleitung nicht, um das Elektrowerkzeug zu tragen, aufzuhängen oder um den Stecker aus der Steckdose zu ziehen.** Halten Sie die Anschlussleitung fern von Hitze, Öl, scharfen Kanten oder sich bewegenden Teilen. Beschädigte oder verwickelte Anschlussleitungen erhöhen das Risiko eines elektrischen Schlages.
  - e) **Wenn Sie mit einem Elektrowerkzeug im Freien arbeiten, verwenden Sie nur Verlängerungsleitungen, die auch für den Außenbereich geeignet sind.** Die Anwendung einer für den Außenbereich geeigneten Verlängerungsleitung verringert das Risiko eines elektrischen Schlages.
  - f) **Wenn der Betrieb des Elektrowerkzeugs in feuchter Umgebung nicht vermeidbar ist, verwenden Sie einen Fehlerstromschutzschalter.** Der Einsatz eines Fehlerstromschutzschalters vermindert das Risiko eines elektrischen Schlages.
- #### 3) Sicherheit von Personen
- a) **Seien Sie aufmerksam, achten Sie darauf, was Sie tun, und gehen Sie mit Vernunft an die Arbeit mit einem Elektrowerkzeug. Benutzen Sie kein Elektrowerkzeug, wenn Sie müde sind oder unter dem Einfluss von Drogen, Alkohol oder Medikamenten stehen.** Ein Moment der Unachtsamkeit beim Gebrauch des Elektrowerkzeugs kann zu ernsthaften Verletzungen führen.
  - b) **Tragen Sie persönliche Schutzausrüstung und immer eine Schutzbrille.** Das Tragen persönlicher Schutzausrüstung, wie Staubmaske, rutschfeste Sicherheitsschuhe, Schutzhelm oder Gehörschutz, je nach Art und



*Einsatz des Elektrowerkzeugs, verringert das Risiko von Verletzungen.*

- c) **Vermeiden Sie eine unbeabsichtigte Inbetriebnahme. Vergewissern Sie sich, dass das Elektrowerkzeug ausgeschaltet ist, bevor Sie es an die Stromversorgung und/oder den Akku anschließen, es aufnehmen oder tragen.** *Wenn Sie beim Tragen des Elektrowerkzeugs den Finger am Schalter haben oder das Elektrowerkzeug eingeschaltet an die Stromversorgung anschließen, kann dies zu Unfällen führen.*
- d) **Entfernen Sie Einstellwerkzeuge oder Schraubenschlüssel, bevor Sie das Elektrowerkzeug einschalten.** *Ein Werkzeug oder Schlüssel, der sich in einem drehenden Teil des Elektrowerkzeugs befindet, kann zu Verletzungen führen.*
- e) **Vermeiden Sie eine abnormale Körperhaltung. Sorgen Sie für einen sicheren Stand und halten Sie jederzeit das Gleichgewicht.** *Dadurch können Sie das Elektrowerkzeug in unerwarteten Situationen besser kontrollieren.*
- f) **Tragen Sie geeignete Kleidung. Tragen Sie keine weite Kleidung oder Schmuck. Halten Sie Haare und Kleidung fern von sich bewegenden Teilen.** *Lockere Kleidung, Schmuck oder lange Haare können von sich bewegenden Teilen erfasst werden.*
- g) **Wenn Staubabsaug- und -auffangeinrichtungen montiert werden können, sind diese anzuschließen und richtig zu verwenden.** *Verwendung einer Staubabsaugung kann Gefährdungen durch Staub verringern.*
- h) **Wiegen Sie sich nicht in falscher Sicherheit und setzen Sie sich nicht über die Sicherheitsregeln für Elektrowerkzeuge hinweg, auch wenn Sie nach vielfachem Gebrauch mit dem Elektrowerkzeug vertraut sind.** *Achtloses Handeln kann binnen Sekundenbruchteilen zu schweren Verletzungen führen.*
- 4) **Verwendung und Behandlung des Elektrowerkzeugs**
- a) **Überlasten Sie das Elektrowerkzeug nicht. Verwenden Sie für Ihre Arbeit das dafür bestimmte Elektrowerkzeug. Mit dem passenden Elektrowerkzeug arbeiten Sie besser und sicherer im angegebenen Leistungsbereich.**
- b) **Benutzen Sie kein Elektrowerkzeug, dessen Schalter defekt ist.** *Ein Elektrowerkzeug, das sich nicht mehr ein- oder ausschalten lässt, ist gefährlich und muss repariert werden.*
- c) **Ziehen Sie den Stecker aus der Steckdose und/oder entfernen Sie einen abnehmbaren Akku, bevor Sie Geräteeinstellungen vornehmen, Einsatzwerkzeugteile wechseln oder das Elektrowerkzeug weglegen.** *Diese Vorsichtsmaßnahme verhindert den unbeabsichtigten Start des Elektrowerkzeugs.*
- d) **Bewahren Sie unbenutzte Elektrowerkzeuge außerhalb der Reichweite von Kindern auf. Lassen Sie keine Personen das Elektrowerkzeug benutzen, die mit diesem nicht vertraut sind oder diese Anweisungen nicht gelesen haben.** *Elektrowerkzeuge sind gefährlich, wenn sie von unerfahrenen Personen benutzt werden.*
- e) **Pflegen Sie Elektrowerkzeuge und Einsatzwerkzeug mit Sorgfalt. Kontrollieren Sie, ob bewegliche Teile einwandfrei funktionieren und nicht klemmen, ob Teile gebrochen oder so beschädigt sind, dass die Funktion des Elektrowerkzeugs beeinträchtigt ist. Lassen Sie beschädigte Teile vor dem Einsatz des Elektrowerkzeuges reparieren.** *Viele Unfälle haben ihre Ursache in schlecht gewarteten Elektrowerkzeugen.*
- f) **Halten Sie Schneidwerkzeuge scharf und sauber.** *Sorgfältig gepflegte Schneidwerkzeuge mit scharfen Schneidkanten verklemmen sich weniger und sind leichter zu führen.*
- g) **Verwenden Sie Elektrowerkzeug, Zubehör, Einsatzwerkzeuge usw. entsprechend diesen Anweisungen. Berücksichtigen Sie dabei die Arbeitsbedingungen und die auszuführende Tätigkeit.** *Der Gebrauch von Elektrowerkzeugen für andere als die vorgesehenen Anwendungen kann zu gefährlichen Situationen führen.*
- h) **Halten Sie Griffe und Griffflächen trocken, sauber und frei von Öl und Fett.** *Rutschige Griffe und Griffflächen erlauben keine sichere Bedienung und Kontrolle des Elektrowerkzeugs in unvorhergesehenen Situationen.*
- 6) **Service**
- a) **Lassen Sie Ihr Elektrowerkzeug nur von qualifiziertem Fachpersonal und nur mit Original-Ersatzteilen reparieren.** *Damit*

wird sichergestellt, dass die Sicherheit des Elektrowerkzeugs erhalten bleibt.

## Zusätzliche Sicherheitshinweise für Deltaschleifer



Der Kontakt oder das Einatmen von Staub, der beim Gebrauch frei wird (z.B. mit bleihaltiger Farbe lackierte Oberflächen, Holz und Metall) kann Ihre eigene Gesundheit sowie die Gesundheit Anderer gefährden. Tragen Sie stets Schutzausrüstung, z.B. eine Staubmaske. Verwenden Sie beim Gebrauch stets eine entsprechende Staubabsaugung.

- Bearbeiten Sie keine asbesthaltigen Materialien. Asbest wird als krebserregend eingestuft.
- Verwenden Sie die Maschine nicht zum Schleifen von Werkstücken aus Magnesium.
- Tragen Sie eine Schutzbrille. Tragen Sie einen Gehörschutz. Verwenden Sie ggf. weitere Schutzmittel wie beispielsweise Schutzhandschuhe, Sicherheitsschuhe, usw.
- Halten Sie die Maschine an den isolierten Griffflächen, falls die Gefahr besteht, dass das Zubehör versteckte Leitungen oder das Netzkabel berühren könnte. Falls das Zubehör einen spannungsführenden Draht berührt, können die freiliegenden Metallteile der Maschine ebenfalls spannungsführend werden. Gefahr eines Stromschlags.
- Gehen Sie beim Schleifen von lackierten Oberflächen äußerst vorsichtig vor.
- Entfernen Sie vor dem Gebrauch alle Nägel und sonstigen Metallgegenstände aus dem Werkstück.
- Vergewissern Sie sich, dass das Werkstück richtig gestützt bzw. fixiert ist.
- Verwenden Sie nur Schleifpapier, das für den Gebrauch mit der Maschine geeignet sind.
- Verwenden Sie nur Schleifpapier mit den richtigen Maßen. Vergewissern Sie sich, dass das Schleifpapier richtig angebracht ist.
- Überprüfen Sie das Schleifpapier vor jedem Gebrauch. Verwenden Sie kein verschlissenes Schleifpapier, um es dadurch länger verwenden zu können.
- Legen Sie die Maschine niemals auf einem Tisch oder einer Werkbank ab, bevor sie nicht abgeschaltet wurde.

## Elektrische Sicherheit



Achten Sie stets darauf, dass die Spannung der Stromversorgung mit der Spannung auf dem Typenschild übereinstimmt.

- Verwenden Sie die Maschine nicht, wenn das Netzkabel oder der Netzstecker beschädigt ist.
- Wenn der Austausch des **Stromkabels** erforderlich ist, hat dies durch den Hersteller oder dessen Agenten zu erfolgen, um eine Sicherheitsgefahr zu vermeiden.
- Verwenden Sie nur Verlängerungskabel, die für die Leistungsaufnahme der Maschine geeignet sind und eine Mindestaderstärke von 1,5 mm<sup>2</sup> haben. Falls Sie eine Kabeltrommel verwenden, rollen Sie das Kabel immer vollständig ab.

## Technische daten

<b>Modellnummer</b>	<b>PSM1035</b>
Netzspannung	230 V~
Netzfrequenz	50 Hz
Leistungsaufnahme	130 W
Leerlaufgeschwindigkeit	14.000 min <sup>-1</sup>
Gewicht	0,68 kg
<b>LÄRM UND VIBRATIONEN</b>	
Schalldruck (L <sub>pa</sub> )	76 + 3 dB(A)
Schallleistung (L <sub>wa</sub> )	87 + 3 dB(A)
Vibration	3,017 + 1,5 m/s <sup>2</sup>



Tragen Sie einen Gehörschutz.

## Vibrationsstufe

Die im dieser Bedienungsanleitung angegebene Vibrationsemissionsstufe wurde mit einem standardisierten Test gemäß EN 62841-1, EN 62841-2-4 gemessen; Sie kann verwendet werden, um ein Werkzeug mit einem anderen zu vergleichen und als vorläufige Beurteilung der Vibrationsexposition bei Verwendung des Werkzeugs für die angegebenen Anwendungszwecke:

- Die Schwingungsemission bei der tatsächlichen Verwendung des Elektrowerkzeugs kann je nach Art der Verwendung des Werkzeugs vom angegebenen Gesamtwert abweichen; und
- Es ist notwendig, Sicherheitsmaßnahmen zum Schutz des Bedieners zu ermitteln, die auf einer Einschätzung der Exposition unter den tatsächlichen Einsatzbedingungen beruhen

(dabei sind alle Teile des Betriebszyklus zu berücksichtigen, z. B. die Zeiten, in denen das Werkzeug ausgeschaltet ist und in denen es im Leerlauf läuft, zusätzlich zur Auslösezeit).

Schützen Sie sich vor den Auswirkungen der Vibration durch Wartung des Werkzeugs und des Zubehörs, halten Sie Ihre Hände warm und organisieren Sie Ihren Arbeitsablauf

## 2. BESCHREIBUNG (ABB. A)

### Verwendungszweck

Diese Maschine ist zum Schleifen von Holz, Kunststoffen und Metall vorgesehen. Diese Maschine ist nur zum Trockenschleifen geeignet. Diese Maschine ist nicht zum Bearbeiten von Gegenständen geeignet, die Asbest enthalten. Eine unsachgemäße Verwendung kann das Werkzeug beschädigen.

Die Buchstaben und Ziffern im folgenden Text verweisen auf die Abbildungen auf Seite 2.

1. Ein-/Aus-Schalter
2. Griff
3. Staubbehälter
4. Schleifteller
5. Schleifteller
6. Schlitz

## 3. MONTAGE



*Schalten Sie die Maschine vor der Montage aus und ziehen Sie den Netzstecker aus der Steckdose.*

### Anschließen des Staubbehälters (Abb. B)

Es wird dringend empfohlen, die Maschine mit dem Staubbehälter (3) zu verwenden, um eine optimale Staubsammlung zu gewährleisten.

- Schieben Sie den Schlitz im Staubbehälter über die Kerbe am hinteren Staubauslass.
- Damit der Staubsammelbehälter sicher eingesetzt wird, drücken Sie darauf, bis ein Klickgeräusch zu hören ist.

*Hinweis:* Der Staubbehälter sollte entleert werden, wenn er zur Hälfte gefüllt ist, um eine optimale Staubsammlung zu gewährleisten.

### Anbringen und Entfernen von Schleifpapier (Abb. C)

- Halten Sie die Maschine seitlich oder umgedreht, wie in Abb. C1 gezeigt.
- Bringen Sie Schleifpapier (5) mit der gewünschten Körnung auf den Schleifkissen (4) an. Stellen Sie sicher, dass die Perforation im Schleifpapier (5) mit der Perforation auf dem Schleifkissen (4) übereinstimmt, wie in Abb. C2 gezeigt.
- Um das Schleifpapier (5) zu entfernen, ziehen Sie einfach das Schleifpapier vom Schleifkissen (4) ab.

*Hinweis:* Verwenden Sie grobes Schleifpapier zum Schleifen von rauen, unebenen Oberflächen. Verwenden Sie mittleres Schleifpapier, um Spuren von grobem Schleifpapier auszugleichen. Verwenden Sie feines Schleifpapier zur Endbearbeitung von Oberflächen.

### Erneuerung des Schleiftellers (Abb. D)

Im Falle von Verschleiß muss der Schleifteller erneuert werden.

- Entfernen Sie ggf. das Schleifpapier.
- Lösen Sie die Schrauben vom Schleifteller (4).
- Entfernen Sie den alten Schleifteller.
- Bringen Sie den neuen Schleifteller an.
- Ziehen Sie die Schrauben (10) am Schleifteller (4) an.

## 4. GEBRAUCH

### Ein- und Ausschalten (Abb. A)

- Um die Maschine einzuschalten, schieben Sie den Ein-/Aus-Schalter (1) auf Position 'I'.
- Um die Maschine auszuschalten, schieben Sie den Ein-/Aus-Schalter (1) auf Position '0'.

### Ratschläge für optimale Arbeitsergebnisse

- Halten Sie die Maschine sicher am Griff fest.
- Schalten Sie die Maschine ein.
- Legen Sie den Schleifteller mit dem Schleifpapier auf das Werkstück.

- Bewegen Sie die Maschine langsam über das Werkstück, wobei Sie den Schleifteller fest gegen das Werkstück drücken.
- Üben Sie nicht zu viel Druck auf die Maschine aus. Lassen Sie die Maschine die Arbeit verrichten.

## 5. WARTUNG



*Schalten Sie das Werkzeug immer aus, und entnehmen Sie den Akku aus dem Gerät, bevor Sie Reinigungs- oder Wartungsarbeiten am Werkzeug vornehmen.*

Reinigen Sie das Werkzeuggehäuse regelmäßig mit einem weichen Lappen, vorzugsweise nach jeder Verwendung. Stellen Sie sicher, dass die Lüftungsöffnungen frei von Staub und Schmutz sind. Entfernen Sie anhaftenden Schmutz mit einem weichen Lappen, der leicht mit Seifenwasser befeuchtet wurde. Verwenden Sie keine Lösungsmittel wie Benzin, Alkohol, Ammoniak usw., da Chemikalien dieser Art die Kunststoffteile beschädigen.

## UMWELTSCHUTZ



*Schadhafte und/oder zu entsorgende elektrische oder elektronische Werkzeuge und Geräte müssen an den dafür vorgesehenen Recycling-Stellen abgegeben werden.*

### Nur für EG-Länder

Entsorgen Sie Elektrowerkzeuge nicht über den Hausmüll. Entsprechend der EU-Richtlinie 2012/19/EG über Elektro- und Elektronik-Altgeräte sowie der Umsetzung in nationales Recht müssen Elektrowerkzeuge, die nicht mehr im Gebrauch sind, getrennt gesammelt und umweltschonend entsorgt werden.

## GARANTIE

Schlagen Sie in den beigefügten Garantiebedingungen nach.

## HANDPALMSCHUURMACHINE 130W

Hartelijk dank voor de aanschaf van dit Ferm product. Hiermee heeft u een uitstekend product aangeschaft van één van de toonaangevende Europese distributeurs. Alle Ferm producten worden gefabriceerd volgens de hoogste prestatie- en veiligheidsnormen. Deel van onze filosofie is de uitstekende klantenservice die wordt ondersteund door onze uitgebreide garantie. Wij hopen dat u vele jaren naar tevredenheid gebruik zult maken van dit product.

## 1. VEILIGHEIDVOORSCHRIFTEN



**Lees de bijgesloten veiligheids- waarschuwingen, de aanvullende veiligheidswaarschuwingen en de instructies.** Het niet opvolgen van de veiligheids- waarschuwingen kan elektrische schokken, brand en/of ernstig letsel tot gevolg hebben. **Bewaar de veiligheidswaarschuwingen en instructies als naslagwerk voor later.**

De volgende symbolen worden gebruikt in de gebruikershandleiding of op het product:



*Lees de gebruikershandleiding.*



*Gevaar voor persoonlijk letsel.*



*Gevaar voor elektrische schok.*



*Verwijder onmiddellijk de netstekker uit het stopcontact indien de netkabel beschadigd raakt en tijdens reiniging en onderhoud.*



*Draag een veiligheidsbril.  
Draag gehoorbescherming.*



*Draag een stofmasker.*



*Dubbel geïsoleerd.*



Werp het product niet weg in ongeschikte containers.



Het product is in overeenstemming met de van toepassing zijnde veiligheidsnormen in de Europese richtlijnen.

## ALGEMENE VEILIGHEIDSVORSCHRIFTEN



### WAARSCHUWING!

**Lees alle veiligheidswaarschuwingen en instructies, en bekijk alle afbeeldingen en specificaties die met dit elektrische gereedschap zijn meegeleverd.** Het niet opvolgen van alle onderstaande instructies kan een elektrische schok, brand en/of ernstig letsel tot gevolg hebben.

### Bewaar deze instructies.

De term "elektrisch gereedschap" in onderstaande waarschuwingen heeft betrekking op zowel apparatuur met een vaste elektriciteitskabel als op apparatuur met een accu (draadloze apparatuur).

### 1) Werkgebied

- a) **Zorg voor een opgeruimde en goed verlichte werkomgeving.** Rommelige en donkere werkomgevingen leiden tot ongelukken.
- b) **Gebruik elektrisch gereedschap nooit in een omgeving waar explosiegevaar bestaat, zoals in de nabijheid van ontvlambare vloeistoffen, gassen, dampen of andere stoffen.** Elektrische gereedschappen kunnen vonken veroorzaken, die deze stoffen tot ontbranding kunnen brengen.
- c) **Wanneer u elektrisch gereedschap gebruikt, houd dan kinderen en omstanders op afstand.** Wanneer u wordt afgeleid, kunt u de controle over het gereedschap verliezen.

### 2) Elektrische veiligheid

- a) **Stekkers van elektrische gereedschappen moeten probleemloos passen op het stopcontact.** Breng nooit wijzigingen aan in of aan de stekker. Gebruik geen adapters voor geaarde elektrische gereedschappen. *Standaardstekkers en*

*passende stopcontacten verkleinen de kans op een elektrische schok.*

- b) **Voorkom lichamelijk contact met geaarde oppervlakken van bijvoorbeeld pijpen, leidingen, radiatoren, fornuizen en koelkasten.** Wanneer uw lichaam geaard is, wordt de kans op een elektrische schok groter.
  - c) **Stel elektrische gereedschappen nooit bloot aan regen of vocht.** Wanneer er water binnendringt in een elektrisch gereedschap, wordt de kans op een elektrische schok groter.
  - d) **Gebruik het snoer niet om het elektrisch gereedschap te dragen, te verplaatsen of de stekker uit het stopcontact te trekken.** Bescherm het snoer tegen olie, warmte, scherpe randen en bewegende delen. Beschadigde of vastzittende snoeren vergroten de kans op een elektrische schok.
  - e) **Wanneer u elektrische gereedschappen buiten gebruikt, gebruik dan een verlengkabel die geschikt is voor buitengebruik.** Door een kabel te gebruiken die geschikt is voor buitengebruik, wordt de kans op een elektrische schok kleiner.
  - f) **Gebruik een aardlekbeveiliging (RCD) als niet te voorkomen is dat een powertool moet worden gebruikt in een vochtige omgeving.** Gebruik van een RCD vermindert het risico van elektrische schokken.
- ### 3) Persoonlijke veiligheid
- a) **Blijf altijd alert, kijk goed wat u doet en gebruik uw gezonde verstand wanneer u een elektrisch gereedschap gebruikt.** Gebruik geen elektrische gereedschappen wanneer u moe bent, of drugs, alcohol of medicijnen hebt gebruikt. *Eén moment van onachtszaamheid bij het gebruik van elektrische gereedschappen kan ernstige verwondingen tot gevolg hebben.*
  - b) **Gebruik persoonlijke beschermingsmiddelen. Draag altijd een veiligheidsbril.** *Een gepast gebruik van veiligheidsvoorzieningen, zoals een stof masker, speciale werkschoenen met antislipzolen, een veiligheidshelm en gehoorbescherming verkleinen de kans op persoonlijk letsel.*
  - c) **Voorkom dat het gereedschap per ongeluk wordt gestart.** Zorg dat de schakelaar op de UITpositie staat, voordat u de stekker in het stopcontact steekt. *Draag elektrisch*

gereedschap nooit met uw vinger op de schakelaar en steek ook nooit de stekker van ingeschakelde elektrische gereedschappen in het stopcontact: dit leidt tot ongelukken.

- d) **Verwijder alle instel en andere sleutels uit het elektrisch gereedschap voordat u hem inschakelt.** *Instel en andere sleutels aan een ronddraaiend onderdeel van het elektrisch gereedschap kunnen tot verwondingen leiden.*
- e) **Zorg dat u nooit uw evenwicht kunt verliezen; houd altijd twee voeten stevig op de vloer.** *Hierdoor kunt u het elektrisch gereedschap in onverwachte situaties beter onder controle houden.*
- f) **Zorg dat u geschikte kleding draagt. Draag geen loshangende kleding of sieraden. Houd uw haar, kleding en handschoenen uit de buurt van bewegende delen.** *Loshangende kleding, sieraden en lang haar kunnen vast komen te zitten in bewegende delen.*
- g) **Wanneer er voorzieningen zijn voor de aansluiting van stofafzuiginstallaties, zorg dan dat ze op de juiste wijze worden aangesloten en gebruikt.** *Gebruik van deze voorzieningen vermindert de gevaren die door stof worden veroorzaakt.*
- h) **Denk niet dat doordat u gereedschap vaak gebruikt, u wel weet hoe het allemaal werkt en dat u de veiligheidsbeginselen voor het gebruik van het gereedschap wel kunt negeren.** *Een onbezonnen actie kan in een fractie van een seconde ernstig letsel tot gevolg hebben.*
- 4) Gebruik en onderhoud van elektrisch gereedschap**
- a) **Oefen geen overmatige kracht uit op elektrisch gereedschap. Gebruik het juiste gereedschap voor uw specifieke toepassing.** *Met het juiste elektrische gereedschap voert u de taak beter en veiliger uit wanneer dit op de snelheid gebeurt waarvoor het apparaat is ontworpen.*
- b) **Gebruik nooit elektrisch gereedschap waarvan de AAN/UITschakelaar niet werkt.** *Ieder elektrisch gereedschap dat niet kan worden in en uitgeschakeld met de schakelaar is gevaarlijk en moet worden gerepareerd.*
- c) **Trek de stekker uit het stopcontact voordat u wijzigingen aanbrengt aan elektrische gereedschappen, accessoires verwisselt of het elektrisch gereedschap opbergt.** *Wanneer u zich aan deze preventieve veiligheidsmaatregelen houdt, beperkt u het risico dat het gereedschap per ongeluk wordt gestart.*
- d) **Berg elektrisch gereedschap dat niet in gebruik is op buiten bereik van kinderen en laat personen die niet bekend zijn met het gereedschap of deze instructies het apparaat niet gebruiken.** *Elektrisch gereedschap is gevaarlijk in de handen van ongeofende gebruikers.*
- e) **Zorg voor een goed onderhoud van elektrisch gereedschap. Controleer of bewegende delen op de juiste wijze zijn vastgezet. Controleer ook of er geen onderdelen defect zijn of dat er andere omstandigheden zijn die van invloed kunnen zijn op de werking van het gereedschap. Laat het gereedschap bij beschadigingen repareren vóór gebruik.** *Veel ongelukken worden veroorzaakt door slecht onderhoud van het gereedschap.*
- f) **Zorg dat snij en zaagwerktuigen scherp en schoon blijven.** *Goed onderhouden snij en zaagwerktuigen met scherpe randen zullen minder snel vastlopen en zijn eenvoudiger onder controle te houden.*
- g) **Gebruik alle elektrische gereedschappen, accessoires, bitjes etc., zoals aangegeven in deze instructies en op de wijze waarvoor het gereedschap is ontworpen. Houd daarbij rekening met de werkomstandigheden en de uit te voeren taak.** *Gebruik van elektrisch gereedschap voor handelingen die afwijken van de taken waarvoor het apparaat is ontworpen kunnen leiden tot gevaarlijke situaties.*
- h) **Houd handgrepen en greepoppervlakken droog, schoon en vrij van olie en vet.** *Gladde handgrepen en greepoppervlakken maken veilig werken en controle over het gereedschap in onverwachte situaties onmogelijk.*
- 6) Service**
- a) **Laat uw gereedschap onderhouden door een gekwalificeerde onderhoudstechnicus die alleen gebruikmaakt van identieke vervangingsonderdelen. Dit zorgt ervoor dat de veiligheid van de power tool intact blijft.**



## Aanvullende veiligheidsvoorschriften voor driehoekschuurmachines



*Het aanraken of inademen van tijdens gebruik vrijkomende stof (bijv. met loodhoudende verf bewerkte oppervlakken, hout en metaal) kan schade toebrengen aan uw gezondheid en de gezondheid van omstanders. Draag altijd geschikte beschermende uitrusting, zoals een stofmasker. Zorg tijdens gebruik altijd voor een goede stofafzuiging.*

- Bewerk geen materialen die asbest bevatten. Asbest wordt als kankerverwekkend beschouwd.
- Gebruik de machine niet voor het schuren van magnesium werkstukken.
- Draag een veiligheidsbril. Draag gehoorbescherming. Gebruik indien nodig andere beschermingsmiddelen, zoals veiligheidshandschoenen, veiligheidsschoenen, etc.
- Houd de machine vast bij de geïsoleerde oppervlakken op plekken waar het accessoire in contact kan komen met verborgen bedrading of het netsnoer. Indien het accessoire in contact komt met een onder spanning staande draad, kunnen de blootgestelde metalen delen van de machine ook onder spanning komen. Gevaar voor elektrische schok.
- Wees uiterst voorzichtig bij het schuren van geleverde oppervlakken.
- Verwijder voor gebruik alle spijkers en andere metalen voorwerpen uit het werkstuk.
- Zorg ervoor dat het werkstuk correct wordt ondersteund of vastgezet.
- Gebruik uitsluitend schuurpapier dat geschikt is voor gebruik met de machine.
- Gebruik uitsluitend schuurpapier met de juiste afmetingen. Zorg ervoor dat het schuurpapier correct is gemonteerd.
- Controleer het schuurpapier voor ieder gebruik. Gebruik geen schuurpapier dat door langdurig gebruik is versleten.
- Plaats de machine nooit op een tafel of een werkbank voordat deze uitgeschakeld is.

### Elektrische veiligheid



*Controleer altijd of de spanning van de stroomtoevoer overeenkomt met de spanning op het typeplaatje.*

- Gebruik de machine niet indien het netsnoer of de netstekker zijn beschadigd.
- Als het **netsnoer** vervangen moet worden, moet dat worden gedaan door de fabrikant of een vertegenwoordiger van de fabrikant, zodat veiligheidsrisico's worden vermeden.
- Gebruik uitsluitend verlengkabels die geschikt zijn voor het vermogen van de machine met een minimale dikte van 1,5 mm<sup>2</sup>. Indien u een verlengkabelhaspel gebruikt, rol dan altijd de kabel volledig uit.

### Technische gegevens

Model Nr.	PSM1035
Netspanning	230 V~
Netfrequentie	50 Hz
Ingangsspanning	130 W
Toerental onbelast	14.000 min-1
Gewicht	0,68 kg
GELUID EN VIBRATIE	
Geluidsdruk (L <sub>pa</sub> )	76 + 3 dB(A)
Geluidsvermogen (L <sub>wa</sub> )	87 + 3 dB(A)
Vibratie	3,017 + 1,5 m/s <sup>2</sup>



*Draag gehoorbescherming.*

### Trillingsniveau

Het trillingsemisniveauniveau, dat in deze gebruiksaanwijzing wordt vermeld, is gemeten in overeenstemming met een gestandaardiseerde test volgens EN 62841-1, EN 62841-2-4; deze mag worden gebruikt om twee machines met elkaar te vergelijken en als voorlopige beoordeling van de blootstelling aan trilling bij gebruik van de machine voor de vermelde toepassingen:

- de vibratie-emissie tijdens het gebruik van het elektrisch gereedschap, kan afwijken van de opgegeven totale waarde, afhankelijk van de manieren waarop het gereedschap wordt gebruikt; en
- er moeten veiligheidsmaatregelen worden geïdentificeerd om de gebruiker te beschermen, die zijn gebaseerd op een schatting van de blootstelling bij de werkelijke gebruiksomstandigheden (rekening houdend met alle delen van de gebruikscyclus, zoals de momenten waarop het gereedschap uitgeschakeld is en wanneer het stand-by staat, naast de tijd dat het in werking is).



Bescherm uzelf tegen de gevolgen van trilling door de machine en de accessoires te onderhouden, uw handen warm te houden en uw werkwijze te organiseren

## 2. BESCHRIJVING (FIG. A)

### Bedoeld gebruik

De machine is ontworpen voor het schuren van hout, kunststoffen en metaal. Deze machine is uitsluitend geschikt voor droog schuren. De machine is niet geschikt voor verwerking van voorwerpen die asbest bevatten. Onjuist gebruik kan het gereedschap beschadigen.

De nummers in de tekst verwijzen naar de diagrammen op pagina 2.

1. Aan/uit-schakelaar
2. Handgreep
3. Stofopvangbox
4. Schuurzool
5. Schuurpapier
6. Sleuf

## 3. ASSEMBLAGE



*Schakel voor assemblage altijd de machine uit en verwijder de netstekker uit het stopcontact.*

### De stofopvangbox aansluiten (Afb. B)

Het wordt ten zeerste aanbevolen de machine te gebruiken met de stofopvangbox (3), zodat het stof optimaal wordt opgevangen.

- Schuif de sleuf in de stofopvangbox over de nok van de stofuitgang aan de achterzijde.
- Om ervoor te zorgen dat de stofcontainer goed vastzit, moet u de container aanduwen tot u een klik hoort.

*NB.:* De stofopvangbox moet worden geleegd wanneer deze half vol is, zodat de stofopvang optimaal blijft werken.

### Schuurpapier plaatsen en verwijderen (Afb. C)

- Houd de machine op z'n zij of ondersteboven, zoals in Afb. C1 wordt getoond.

- Plaats schuurpapier (5) met de vereiste korrel op het schuurkussen (4). Controleer dat de perforatie in het schuurpapier (5) uitkomt op de perforatie op het schuurkussen (4), zoals wordt getoond in Afb. C2.
- U kunt het schuurpapier (5) verwijderen door het eenvoudig van het schuurkussen (4) te trekken.

*NB.:* Gebruik grof schuurpapier voor het schuren van ruwe, ongelijke oppervlakken. Gebruik schuurpapier met een gemiddelde korrel voor het verwijderen van de krassen die achterblijven van het grove schuurpapier. Gebruik fijn schuurpapier voor het afwerken van oppervlakken.

### Vervangen van de schuurzool (fig. D)

In geval van slijtage moet de schuurzool worden vervangen.

- Verwijder indien nodig het schuurpapier.
- Draai de schroeven los van de schuurzool (4).
- Verwijder de oude schuurzool.
- Monteer de nieuwe schuurzool.
- Draai de schroeven vast aan de schuurzool (4).

## 4. GEBRUIK

### In- en uitschakelen (fig. A)

- Om de machine in te schakelen, stelt u de aan/uit-schakelaar (1) in op positie 'I'.
- Om de machine uit te schakelen, stelt u de aan/uit-schakelaar (1) in op positie '0'.

### Aanwijzingen voor optimaal gebruik

- Houd de machine stevig vast bij de handgreep.
- Schakel de machine in.
- Plaats de schuurzool met schuurpapier op het werkstuk.
- Beweeg de machine langzaam over het werkstuk, waarbij de schuurzool stevig tegen het werkstuk wordt gedrukt.
- Oefen niet te veel druk uit op de machine. Laat de machine het werk doen.

## 5. ONDERHOUD



*Schakel, voordat u met de reiniging en het onderhoud begint, altijd de machine uit en haal het accupack uit de machine.*

Reinig de machinebehuizing regelmatig met een zachte doek, bij voorkeur iedere keer na gebruik. Zorg dat de ventilatiesleuven vrij van stof en vuil zijn. Gebruik bij hardnekkig vuil een zachte doek bevochtigd met zeepwater. Gebruik geen oplosmiddelen als benzine, alcohol, ammonia, etc. Dergelijke stoffen beschadigen de kunststof onderdelen.

## MILIEU



*Defecte en/of afgedankte elektrische of elektronische gereedschappen dienen ter verwerking te worden aangeboden aan een daarvoor verantwoordelijke instantie.*

### Uitsluitend voor EG-landen

Werp elektrisch gereedschap niet weg bij het huisvuil. Conform de Europese Richtlijn 2012/19/EG voor Afgedankte Elektrische en Elektronische Apparatuur en de implementatie ervan in nationaal recht moet niet langer te gebruiken elektrisch gereedschap gescheiden worden verzameld en op een milieuvriendelijke wijze worden verwerkt.

## GARANTIE

Raadpleeg de bijgesloten garantiebepalingen.

## PONCEUSE DE FINITION 130W

Merci pour votre achat de ce produit Ferm. Vous disposez maintenant d'un excellent produit, proposé par l'un des principaux fabricants européens. Tous les produits que vous fournit Ferm sont fabriqués selon les normes les plus exigeantes en matière de performances et de sécurité. Complété par notre garantie très complète, l'excellence de notre service clientèle forme également partie intégrante de notre philosophie. Nous espérons que vous profiterez longtemps de ce produit.

## 1. CONSIGNES DE SÉCURITÉ



**En plus des avertissements de sécurité suivants, veuillez également lire les avertissements de sécurité additionnels ainsi que les instructions.** Le non-respect des avertissements de sécurité et des instructions peut entraîner une décharge électrique, un incendie et/ou des blessures graves. **Veuillez conserver les avertissements de sécurité et les instructions pour consultation ultérieure.**

Les symboles suivants sont utilisés dans le manuel d'utilisation ou apposés sur le produit :



*Lisez le manuel d'utilisation.*



*Risque de blessures.*



*Risque d'électrocution.*



*Débranchez immédiatement la fiche de la prise secteur si le câble secteur est endommagé ainsi que durant le nettoyage et la maintenance.*



*Portez des lunettes de protection.  
Portez une protection auditive.*



*Portez un masque anti-poussière.*



Double isolation.



Ne jetez pas le produit dans des conteneurs qui ne sont pas prévus à cet effet.



Le produit est conforme aux normes de sécurité applicables des directives européennes.

## CONSIGNES GÉNÉRALES DE SÉCURITÉ



### AVERTISSEMENT!

**Veillez à lire tous les avertissements sur la sécurité, toutes les instructions, toutes les illustrations et toutes les spécifications fournies avec cet outil électrique.** Le non-respect de toutes les instructions listées ci-dessous peut entraîner des décharges électriques, des incendies et/ou de graves blessures.

### Conservez ces instructions.

Le terme "appareil électrique" mentionné dans tous les avertissements ci-dessous se rapporte à un appareil électrique qui se branche au réseau électrique (grâce à un câble d'alimentation) ou à un appareil électrique (sans fil) fonctionnant grâce à une batterie.

#### 1) Espace de travail

- a) **Veillez toujours à garder votre espace de travail propre et bien éclairé.** Les espaces mal rangés et sombres peuvent être la cause d'accidents.
- b) **N'utilisez pas les appareils électriques dans des environnements susceptibles d'explosion, par exemple en présence de liquides inflammables, de gaz ou de particules.** Les appareils électriques provoquent des étincelles qui peuvent enflammer les particules des émanations.
- c) **Veillez à garder éloignés les enfants et les personnes se trouvant dans votre voisinage, lors de l'utilisation d'un appareil électrique.** Les distractions peuvent vous faire perdre le contrôle de l'appareil.

#### 2) Mesures de sécurité électriques

- a) **Les prises des appareils électriques doivent être raccordées à la prise murale**

**correspondante. Ne modifiez jamais la prise de l'appareil, de quelque façon que ce soit. N'utilisez pas d'adaptateurs qui mettent les appareils électriques à la terre (mise à la masse).** Des prises non modifiées et branchées à la prise murale correspondante réduiront les risques de choc électrique.

- b) **Évitez le contact direct avec les surfaces mises à la terre ou mises à la masse comme les canalisations, les radiateurs, les cuisinières et les réfrigérateurs.** En effet, le risque de choc électrique s'accroît si votre corps est mis à la terre ou à la masse.
  - c) **N'utilisez pas d'outils électriques dans des environnements pluvieux ou humides.** Si de l'eau s'introduit dans un appareil électrique, le risque de choc électrique augmentera.
  - d) **N'utilisez pas le câble de manière abusive. N'utilisez jamais le câble pour transporter, tirer ou débrancher l'appareil électrique.** Veillez à garder le câble éloigné des sources de chaleur, des huiles, des rebords coupants ou des pièces actionnées. Les câbles endommagés ou entremêlés augmentent le risque de choc électrique.
  - e) **Lorsque un appareil est utilisé à l'extérieur, utilisez uniquement un câble prolongateur prévu à cet effet.** L'utilisation d'un câble à usage extérieur réduit le risque de choc électrique.
  - f) **Si vous êtes contraint d'utiliser un outil électrique dans un environnement humide, utilisez une alimentation protégée par un dispositif à courant résiduel (RCD).** L'utilisation d'un RCD réduit le risque de décharge électrique.
- #### 3) Sécurité personnelle
- a) **Restez vigilant, gardez un œil sur ce que vous faites et utilisez votre sens commun lors de l'utilisation d'un appareil électrique.** N'utilisez pas un appareil électrique si vous êtes fatigué ou si vous êtes sous l'influence de drogues, d'alcool ou si vous prenez des médicaments. Un moment d'inattention lors de l'utilisation des appareils électriques peut entraîner des blessures graves.
  - b) **Utilisez un équipement de protection personnelle. Protégez-vous toujours les yeux.** Les équipements de protection, tels qu'un masque à poussière, des chaussures

antidérapantes, des protections auditives ou un casque de sécurité, utilisés dans de bonnes conditions, réduiront le risque de blessures.

c) **Prévenez tout démarrage involontaire.**

**Assurez-vous que l'interrupteur est sur la position "arrêt avant de brancher l'appareil.**

*En effet, le transport des appareils électriques en gardant vos doigts sur l'interrupteur, ou le branchement de ces appareils en ayant l'interrupteur sur "marche accidents.*

d) **Retirez les clés de réglage ou les clés de vis de réglage avant d'allumer l'appareil électrique.**

*Une clé de vis de réglage ou une clé, laissée sur une pièce en mouvement de l'appareil électrique, peut entraîner des lésions corporelles.*

e) **Ne pas se précipiter. Gardez toujours vos pieds à plat et gardez votre équilibre.**

*Ceci permet de mieux contrôler l'appareil électrique dans des situations imprévues.*

f) **Habilitez-vous convenablement. Ne portez pas de vêtements lâches ou de bijoux.**

**Gardez vos cheveux, vêtements et gants éloignés des pièces actionnées.** *En effet, ces derniers peuvent être pris dans les pièces en action.*

g) **Si les appareils sont fournis pour la connexion des équipements d'évacuation et de récupération de la poussière, assurez-vous que ces derniers soient correctement connectés et utilisés.**

*L'utilisation de ces appareils peut réduire les risques liés à la poussière.*

h) **Ne pensez pas être familiarisé avec l'outil après l'avoir utilisé à de nombreuses reprises, au point de ne plus rester vigilant et d'en oublier les consignes de sécurité.**

*Toute action imprudente peut engendrer de graves blessures en une fraction de seconde.*

4) **Utilisation et entretien d'un appareil électrique**

a) **Ne forcez pas l'appareil électrique. Utilisez l'appareil électrique adéquat pour votre application.** *Un appareil électrique correctement choisi assurera un meilleur travail et un travail sans danger, au rythme auquel il a été conçu.*

b) **N'utilisez pas l'appareil électrique si l'interrupteur marche/arrêt ne fonctionne pas.** *Un appareil électrique qui ne peut pas*

*être commandé par l'interrupteur de contrôle est dangereux et doit être réparé.*

c) **Débranchez la prise du bloc d'alimentation avant d'effectuer des réglages, de changer des accessoires, ou de ranger les appareils élec tri ques.** *Ces mesures de sécurité préventives réduiront le risque de démarrage involontaire de l'appareil électrique.*

d) **Rangez les appareils électriques arrêtés hors de la portée des enfants et ne laissez aucune personne, non familiarisée avec l'outil ou ces instructions, utiliser l'appareil électrique.** *Les appareils électriques sont dangereux entre les mains d'utilisateurs non formés.*

e) **Entretenez les appareils électriques. Vérifiez tout défaut d'alignement et l'enchaînement des pièces actionnées, la rupture de ces dernières, et les autres conditions qui peuvent affecter le fonctionnement des appareils électriques.** **En cas de dommages, faites réparer l'appareil électrique avant de le réutiliser.** *Nombreux sont les accidents provoqués par des appareils électriques mal entretenus.*

f) **Veillez à garder les outils coupants aiguisés et propres.** *Des outils coupants correctement entretenus avec des lames aiguisées sont moins susceptibles de se bloquer et sont plus faciles à contrôler.*

g) **Utilisez l'appareil électrique, les accessoires et les embouts, etc., conformément à ces instructions et de la manière prévue pour le type spécifique de l'appareil électrique, en prenant en compte les conditions de travail et le travail à effectuer.** *L'utilisation de l'appareil électrique dans des applications différentes de celles prévues peut entraîner des situations dangereuses.*

h) **Gardez les poignées et les surfaces de préhension sèches, propres et exemptes d'huile et de graisse.** *Des poignées et des surfaces de préhension glissantes ne permettent pas de manipuler et de contrôler l'outil correctement en cas de situations inattendues.*

6) **Maintenance**

a) **L'entretien de votre outil électrique doit être confié à un réparateur qualifié qui utilise uniquement des pièces de rechange**

identiques aux pièces d'origine. Cela permet d'assurer la sécurité de l'outil électrique

## Avertissements de sécurité additionnels pour ponceuses triangulaires



Le contact ou l'inhalation de poussière libérée pendant l'utilisation (par ex. surfaces peintes, bois ou métal) peut constituer un danger pour votre santé et celle des personnes à proximité. Portez toujours l'équipement de protection approprié, ainsi un masque anti-poussière. Employez toujours les dispositifs d'aspiration de poussière adaptés pendant l'utilisation.

- Ne travaillez pas sur des matériaux contenant de l'amiante. L'amiante est considéré comme carcinogène.
- N'utilisez pas la machine pour poncer des pièces à ouvrir contenant du magnésium.
- Portez des lunettes de protection. Portez une protection auditive. Si nécessaire, utilisez d'autres équipements de protection : gants de sécurité, chaussures de sécurité, etc.
- Tenez la machine par les surfaces de poignée isolées lorsque l'accessoire peut toucher des câblages cachés ou le cordon secteur. Si l'accessoire touche un fil sous tension, les pièces métalliques exposées de la machine peuvent également être sous tension. Risque d'électrocution.
- Faites très attention en ponçant des surfaces peintes.
- Avant l'usage, retirez tous les clous et autres objets métalliques de la pièce à ouvrir.
- Assurez-vous que la pièce à ouvrir est correctement soutenue ou fixée.
- Utilisez uniquement du papier de ponçage adapté à cette machine.
- Utilisez uniquement du papier de ponçage aux dimensions correctes. Veillez à ce que le papier de ponçage soit correctement monté.
- Vérifiez le papier de ponçage avant chaque utilisation. N'utilisez pas un papier de ponçage usé par un usage prolongé.
- Ne posez jamais la machine sur une table ou un établi sans l'avoir mise hors tension.

## Sécurité électrique



Vérifiez si la tension d'alimentation électrique correspond bien à celle de la plaque signalétique.

- N'utilisez pas la machine si le câble secteur ou la fiche secteur est endommagé.
- Si le remplacement du **câble d'alimentation** est nécessaire, cette intervention doit être effectuée par le fabricant ou l'un de ces agents agréés afin d'éviter tout risque.
- Utilisez uniquement des rallonges adaptées à la puissance nominale de la machine et d'une section minimum de 1,5 mm<sup>2</sup>. Si vous utilisez une bobine de rallonge, déroulez toujours complètement le câble.

## Données techniques

Model No.	PSM1035
Tension secteur	230 V~
Fréquence secteur	50 Hz
Puissance	130 W
Vitesse à vide	14.000 min <sup>-1</sup>
Poids	0,68 kg
BRUIT ET VIBRATION	
Pression acoustique (L <sub>pm</sub> )	76 + 3 dB(A)
Puissance acoustique (L <sub>wa</sub> )	87 + 3 dB(A)
Vibration	3,017 + 1,5 m/s <sup>2</sup>



Portez une protection auditive.

## Niveau de vibrations

Le niveau de vibrations émises indiqué en ce manuel d'instruction a été mesuré conformément à l'essai normalisé de la norme EN 62841-1, EN 62841-2-4; il peut être utilisé pour comparer plusieurs outils et pour réaliser une évaluation préliminaire de l'exposition aux vibrations lors de l'utilisation de l'outil pour les applications mentionnées:

- en fonction de la manière dont l'outil est utilisé, les vibrations réellement émises pendant son utilisation peuvent différer par rapport à la valeur totale déclarée ; et
- afin de protéger l'opérateur, il est nécessaire d'identifier des mesures de sécurité basées sur une estimation de l'exposition dans les conditions réelles d'utilisation (en prenant en compte toutes les parties du cycle de fonctionnement, comme les durées pendant

lesquelles l'outil est éteint ou qu'il fonctionne à vide, en plus des durées de déclenchement).

Protégez-vous contre les effets des vibrations par un entretien correct de l'outil et de ses accessoires, en gardant vos mains chaudes et en structurant vos schémas de travail

## 2. DESCRIPTION (FIG. A)

### Utilisation prévue

La machine a été conçue pour poncer le bois, le plastique et le métal. Cette machine n'est prévue que pour le ponçage à sec. La machine n'est pas adaptée pour traiter les objets contenant de l'amiante. Toute utilisation incorrecte peut endommager l'outil.

Les numéros dans le texte se rapportent aux schémas de la page 2.

1. Interrupteur Marche/Arrêt
2. Poignée
3. Bac à poussière
4. Patin de ponçage
5. Papier abrasif
6. Fente

## 3. MONTAGE



*Avant le montage, mettez toujours la machine hors tension et débranchez la fiche de la prise secteur.*

### Installer le bac à poussière (Fig. B)

Il est fortement conseillé d'utiliser la machine avec son bac à poussière (3), qui garantit la récupération optimale des poussières.

- Glissez la fente du le bac à poussière sur l'encoche au niveau de la sortie des poussières à l'arrière de la machine.
- Afin de garantir que le bac à poussière est correctement mis en place, poussez-le jusqu'à entendre le clic.

*Remarque:* Le bac à poussière doit être vide lorsqu'il est moitié-plein afin que conserver une récupération optimale des poussières.

### Installer et retirer le papier abrasif (Fig. C)

- Tenez la machine sur le côté ou à l'envers, comme illustré par la Fig. C1.
- Installez un papier abrasif (5) dont les grains sont de la bonne grosseur sur le patin de ponçage (4). Assurez-vous que les trous du papier abrasif (5) correspondent aux trous du patin de ponçage (4), comme illustré par la figure Fig. C2.
- Pour retirer le papier abrasif (5), soulevez-le simplement du patin de ponçage (4).

*Remarque:* Utilisez un papier abrasif à gros grains pour les ponçages grossiers de surfaces irrégulières. Utilisez un papier abrasif à grains moyens pour supprimer les rayures restantes après le passage du papier à gros grains. Utilisez un papier abrasive fin pour les finitions de surfaces.

### Remplacement du patin de ponçage (fig. D)

En cas d'usure, le patin de ponçage doit être remplacé.

- Si nécessaire, retirez le papier de ponçage.
- Desserrez les vis du patin de ponçage (4).
- Retirez le patin de ponçage usé.
- Montez le patin de ponçage neuf.
- Serrez les vis (10) du patin de ponçage (4).

## 4. UTILISATION

### Mise en marche et arrêt (fig. A)

- Pour mettre la machine en marche, positionnez l'interrupteur marche/arrêt (1) sur ,I'.
- Pour arrêter la machine, positionnez l'interrupteur marche/arrêt (1) sur ,0'.

### Conseils pour une utilisation optimale

- Tenez fermement la machine par la poignée.
- Mettez la machine en marche.
- Placez le patin de ponçage avec le papier de ponçage sur la pièce à ouvrir.
- Déplacez lentement la machine sur la pièce à ouvrir en appuyant fermement le patin de ponçage dessus.
- N'exercez pas de pression excessive sur la machine. Laissez la machine faire le travail.

## 5. ENTRETIEN



*Avant le nettoyage et l'entretien, mettez toujours la machine hors tension et retirez la batterie de la machine.*

Nettoyez le corps de la machine régulièrement au moyen d'un chiffon doux, de préférence après chaque utilisation. Vérifiez que les ouvertures d'aération ne sont pas obstruées ni sales. Utilisez un chiffon doux légèrement humidifié avec de la mousse de savon pour nettoyer les taches persistantes. N'utilisez pas de produits de nettoyage tels que l'essence, l'alcool, l'ammoniac, etc.; ces produits peuvent endommager les parties synthétiques.

## ENVIRONNEMENT



*Les équipements électroniques ou électriques défectueux ou destinés à être mis au rebut doivent être déposés aux points de recyclage appropriés.*

### Only for EC countries

Uniquement pour les pays de l'UE Ne jetez pas les outils électriques avec les déchets domestiques. Selon la Directive européenne 2012/19/CE relative aux déchets d'équipements électriques et électroniques et sa mise en oeuvre dans le droit national, les outils électriques hors d'usage doivent être collectés séparément et mis au rebut de manière écologique.

## GARANTIE

Consultez les termes de la garantie fournis.

## LIJADORA DE DETALLES 130W

Gracias por comprar este producto Ferm. Al hacerlo ha adquirido un excelente producto, suministrado por uno de los proveedores líderes en Europa. Todos los productos suministrados por Ferm se fabrican de conformidad con las normas más elevadas de rendimiento y seguridad. Como parte de nuestra filosofía también proporcionamos un excelente servicio de atención al cliente, respaldado por nuestra completa garantía. Esperamos que disfrute utilizando este producto durante muchos años.

## 1. INSTRUCCIONES DE SEGURIDAD



**Lea las advertencias de seguridad, las advertencias de seguridad adicionales y las instrucciones adjuntas. De no respetarse las advertencias de seguridad y las instrucciones, podrían producirse descargas eléctricas, incendios y/o lesiones graves. Conserve las advertencias de seguridad y las instrucciones para su posterior consulta.**

Los siguientes símbolos se utilizan en el manual de usuario o en el producto:



*Lea el manual de usuario.*



*Riesgo de lesiones personales.*



*Riesgo de descarga eléctrica.*



*Saque inmediatamente el enchufe de la toma si el cable eléctrico resulta dañado y durante la limpieza y el mantenimiento.*



*Lleve gafas de seguridad.  
Lleve protección auditiva.*



*Lleve una máscara antipolvo.*



*Doble aislamiento.*





No deseche el producto en contenedores no adecuados.



El producto es conforme con las normas de seguridad vigentes en las Directivas Europeas.

## INSTRUCCIONES GENERALES DE SEGURIDAD



### PRECAUCIÓN!

Lea las advertencias de seguridad, las instrucciones, las ilustraciones y las especificaciones suministradas con la herramienta eléctrica. Si no sigue las instrucciones detalladas abajo, pueden producirse descargas eléctricas, incendios y/o lesiones graves.

### Conserve estas instrucciones.

El término "herramienta eléctrica", en todas las advertencias enumeradas a continuación se refiere a su herramienta eléctrica (i nalámbrica) que funciona con una batería o a través de la red eléctrica.

#### 1) Área de trabajo

- a) **Trabaje en un lugar limpio y bien iluminado.**  
*Lugares no iluminados o sucios propician accidentes.*
- b) **No use herramientas eléctricas donde haya riesgo de fuego o explosión, p.ej: cerca de líquidos o gases inflamables, polvo etc.** *Las herramientas eléctricas producen chispas que pueden producir la ignición de partículas de humo.*
- c) **Mantenga a los niños y otras personas alejados mientras utiliza la herramienta eléctrica.** *Las distracciones pueden hacer que pierda el control de la herramienta.*

#### 2) Seguridad eléctrica

- a) **Cerciórese de que las clavijas de la herramienta eléctrica están correctamente enchufadas. Nunca modifique la clavija. No utilice ningún adaptador para la clavija de una herramienta eléctrica con conexión a tierra.** *Las clavijas que no se hayan cambiado y los enchufes adecuados reducen el riesgo de cortocircuitos.*

- b) **Evite el contacto humano con superficies con conexiones a tierra como tubos metálicos, conductos, tubos de la calefacción, radiadores y refrigeradores.** *El riesgo de cortocircuitos es mayor cuando el cuerpo está en contacto con el suelo.*
- c) **No use herramientas eléctricas bajo la lluvia o en entornos húmedos.** *Si entra agua en una herramienta eléctrica aumenta el riesgo de cortocircuito.*
- d) **No utilice el cable para todo. Nunca utilice el cable para mover la máquina, empujarla o sacar la clavija del enchufe. Mantenga el cable alejado del calor, aceite, zonas cortantes o piezas en movimiento.** *Los cables dañados o enredados aumentan el riesgo de cortocircuito.*
- e) **Use un cable alargador impermeable adecuado para exteriores cuando trabaje con la herramienta eléctrica al aire libre.** *El riesgo de cortocircuito es menor si utiliza un cable alargador adecuado para exteriores.*
- f) **Si no se puede evitar el uso de la herramienta eléctrica en un lugar húmedo, use suministro protegido mediante dispositivo diferencial residual (DDR).** *El uso de un DDR reduce el riesgo de choque eléctrico.*
- h) **No permita que la familiaridad adquirida con el uso frecuente de las herramientas le haga confiarse e ignorar los principios de seguridad de las herramientas.** *Una acción descuidada puede causar lesiones graves en una fracción de segundo.*

#### 3) Seguridad personal

- a) **No se descuide, preste atención a lo que está haciendo y utilice el sentido común mientras trabaje con esta herramienta. No use herramientas eléctricas cuando esté cansado o esté bajo los efectos del alcohol, las drogas o los medicamentos.** *Un momento de distracción, mientras utilice la herramienta eléctrica, puede provocar lesiones personales graves.*
- b) **Use equipo de protección individual. Use siempre gafas protectoras.** *El uso en condiciones apropiadas del equipo de seguridad como por ejemplo: mascarilla antipolvo, zapatos antideslizantes de seguridad, casco o protección para los oídos,*

*disminuye el riesgo de sufrir lesiones personales.*

- c) **Evite arranques involuntarios. Asegúrese de que el interruptor está en la posición de apagado antes de conectarlo a la fuente de electricidad.** *Transportar herramientas eléctricas con el dedo puesto sobre el interruptor o enchufarlas con el interruptor encendido puede causar accidentes.*
  - d) **Quite cualquier llave de ajuste antes de encender la herramienta eléctrica.** *Una llave olvidada junto a una pieza móvil de la herramienta eléctrica puede provocar lesiones personales graves.*
  - e) **No se estire demasiado. Mantenga siempre el equilibrio y tenga los pies en el suelo.** *Esto permite un mayor control de la herramienta eléctrica en situaciones inesperadas.*
  - f) **Vístase apropiadamente. No lleve prendas holgadas o joyas. Mantenga su pelo, ropa y guantes alejados de las piezas móviles.** *Las prendas holgadas, las joyas y el pelo largo pueden quedar atrapados en las piezas móviles.*
  - g) **Si se han suministrado dispositivos para la extracción y recogida de polvo asegúrese de que estos estén conectados y se utilicen correctamente.** *El uso de estos dispositivos puede reducir los riesgos relacionados con el polvo.*
  - h) **Mantenga las asas y las superficies de agarre secas, limpias y libres de aceite y grasa.** *Las asas y las superficies de agarre resbaladizas no permiten un manejo y control seguros de la herramienta en situaciones inesperadas.*
- 5) Uso y cuidado de las herramientas alimentadas por batería**
- a) **Recargue las baterías únicamente con el cargador recomendado por el fabricante.** *Un cargador que es apto para un tipo de baterías determinado puede provocar riesgo de incendio si se usa para cargar otra clase de baterías.*
  - b) **Use las herramientas eléctricas sólo con las baterías indicadas específicamente.** *El uso de otra clase de baterías diferente puede ocasionar el riesgo de derivar en lesiones o un incendio.*
  - c) **Cuando el paquete de baterías no esté en uso, consérvelo retirado de objetos metálicos como sujetapapeles, monedas, llaves, clavos, tornillos o cualquier otro objeto metálico pequeño que pueda hacer puente entre las terminales.** *El contacto entre las terminales de la batería puede causar quemaduras o incendio.*
  - d) **Bajo condiciones extremas de abuso la batería podría expulsar un líquido; evite todo contacto. Si se produjese contacto accidentalmente, lávese bien con agua. Si el líquido hace contacto con los ojos, consulte también al médico.** *El líquido emanado de la batería puede causar irritaciones o quemaduras.*
  - e) **No utilice una batería o una herramienta que esté dañada o modificada.** *Las baterías dañadas o modificadas pueden presentar un comportamiento impredecible y provocar un incendio, una explosión o riesgo de lesiones.*
  - f) **No exponga una batería o una herramienta al fuego o a temperatura excesiva.** *La exposición al fuego o a temperaturas superiores a 130 °C puede provocar una explosión.*  
NOTA La temperatura "130 °C" puede sustituirse por la temperatura "265 °F".
  - g) **Siga todas las instrucciones de carga y no cargue la batería o la herramienta fuera del rango de temperatura especificado en las instrucciones.** *La carga incorrecta o a temperaturas fuera del rango especificado puede causar daños a la batería y aumentar el riesgo de incendio.*
- 6) Servicio**
- a) **Haga reparar su herramienta eléctrica por una persona cualificada, usando solo piezas de repuesto idénticas.** *Esto garantiza que se mantenga la seguridad de la herramienta eléctrica.*

## Advertencias de seguridad adicionales para lijadoras triangulares



*El contacto o la inhalación del polvo liberado durante el uso (p. ej. superficies con pintura con plomo, madera y metal) puede poner en peligro su salud y la de las personas a su alrededor. Lleve siempre los equipos de protección adecuados, como una máscara antipolvo. Utilice siempre una extracción de polvo adecuada durante el uso.*

- No trabaje con materiales que contengan amianto. El amianto se considera cancerígeno.
- No utilice la máquina para lijar piezas de trabajo de magnesio.
- Lleve gafas de seguridad. Lleve protección auditiva. En caso necesario, utilice otros medios de protección, como guantes de seguridad, calzado de seguridad, etc.
- Sujete la máquina por las superficies de agarre aisladas cuando el accesorio pueda entrar en contacto con cables ocultos o el cable eléctrico. Si el accesorio entra en contacto con un cable con corriente, las partes metálicas expuestas de la máquina también pueden tener corriente. Riesgo de descarga eléctrica.
- Tenga mucho cuidado al lijar superficies pintadas.
- Antes del uso, quite todos los clavos y otros objetos metálicos de la pieza de trabajo.
- Asegúrese de que la pieza de trabajo esté debidamente apoyada o fijada.
- Utilice únicamente papel de lija que sea adecuado para su uso con la máquina.
- Utilice únicamente papel de lija con las dimensiones correctas. Asegúrese de que el papel de lija esté debidamente montado.
- Inspeccione el papel de lija antes de cada uso. No utilice papel de lija que esté desgastado debido a un uso prolongado.
- Nunca ponga la máquina sobre una mesa o un banco de trabajo sin haberla desconectado previamente.

### Seguridad eléctrica



*Compruebe siempre que la tensión del suministro eléctrico corresponda con la tensión de la placa de características.*

- No utilice la máquina si el cable o el enchufe eléctrico han sufrido daños.
- Si es necesario cambiar **el cable de alimentación**, debe hacerlo el fabricante o su representante, para evitar riesgos de seguridad.
- Utilice únicamente cables alargadores que sean adecuados para la potencia nominal de la máquina con un grosor mínimo de 1,5 mm<sup>2</sup>. Si utiliza un cable alargador en rollo, desenrolle totalmente el cable.

### DATOS TÉCNICOS

Model No.	PSM1035
Tensión de red	230 V~
Frecuencia de red	50 Hz
Entrada de alimentación	130 W
Velocidad sin carga	14.000 min-1
Peso	0,68 kg
RUIDO Y VIBRACIÓN	
Presión acústica (L <sub>wa</sub> )	76 + 3 dB(A)
Potencia acústica (L <sub>wa</sub> )	87 + 3 dB(A)
Vibración	3,017 + 1,5 m/s <sup>2</sup>



*Lleve protección auditiva.*

### Nivel de vibración

El nivel de emisión de vibraciones indicado en este manual de instrucciones ha sido medido según una prueba estándar proporcionada en EN 62841-1, EN 62841-2-4; puede utilizarse para comparar una herramienta con otra y como valoración preliminar de la exposición a las vibraciones al utilizar la herramienta con las aplicaciones mencionadas:

- la emisión de vibraciones durante el uso real de la herramienta eléctrica puede diferir del valor total declarado en función de cómo se use la herramienta.
- es necesario identificar medidas de seguridad para proteger al operador, basadas en una estimación de la exposición en las condiciones reales de uso (teniendo en cuenta todas las partes del ciclo de funcionamiento, como el tiempo en que la herramienta está apagada y cuando funciona en vacío, además del tiempo de disparo).

Protéjase contra los efectos de la vibración realizando el mantenimiento de la herramienta y sus accesorios, manteniendo sus manos calientes y organizando sus patrones de trabajo.

## 2. DESCRIPCIÓN (FIG. A)

### Uso previsto

La máquina se ha diseñado para lijar madera, plástico y metales. La máquina solo es apta para lijado en seco. La máquina no es adecuada para procesar objetos que contengan amianto. El uso inadecuado puede dañar la herramienta.

Los números del texto se refieren a los diagramas en la página 2.

1. Interruptor de encendido/apagado
2. Asa
3. Bolsa para polvo
4. Almohadilla para lijar
5. Papel de lijar
6. Ranura

## 3. MONTAJE



*Antes del montaje, apague siempre la máquina y saque el enchufe de la toma.*

### Conexión de la caja para polvo (Fig. B)

Se recomienda vivamente utilizar la máquina con la caja de polvo (3), para garantizar una recogida óptima del polvo.

- Deslice la ranura de la caja de polvo sobre la muela de la toma trasera para polvo.
- Para comprobar que la caja de recogida de polvo este bien colocada, empuje la caja de recogida de polvo hasta que oiga un clic.

*Nota:* La caja de polvo debe vaciarse cuando esté llena hasta la mitad, para mantener una recogida de polvo óptima.

### Colocación y extracción del papel de lijar (Fig. C)

- Sujete la máquina de lado o boca abajo, como se muestra en la Fig. C1.
- Coloque el papel de lijar (5) del grano que desee en la almohadilla para lijar (4). Compruebe que el orificio del papel de lijar (5) coincida con el orificio de la almohadilla para lijar (4), tal y como se muestra en la Fig. C2.
- Para extraer el papel de lijar (5), solo tiene que tirar del papel para sacarlo de la almohadilla para lijar (4).

*Nota:* Utilice papel de lija de grano grueso para lijar superficies ásperas e irregulares. Utilice papel de lija de grano mediano para eliminar los arañazos dejados por el papel de grano grueso. Utilice papel de lija de grano fino para el acabado de las superficies.

### Sustitución de la almohadilla de lijado (fig. D)

En caso de desgaste, debe sustituirse la almohadilla de lijado.

- En caso necesario, retire el papel de lija.
- Afloje los tornillos de la almohadilla de lijado (4).
- Retire la almohadilla de lijado usada.
- Monte la almohadilla de lijado nueva.
- Apriete los tornillos (10) a la almohadilla de lijado (4).

## 4. USO

### Encendido y apagado (fig. A)

- Para encender la máquina, sitúe el interruptor de encendido/apagado (1) en la posición '1'.
- Para apagar la máquina, sitúe el interruptor de encendido/apagado (1) en la posición '0'.

### Consejos para un uso óptimo

- Sujete la máquina firmemente por la empuñadura.
- Encienda la máquina.
- Coloque la almohadilla de lijado con el papel de lija sobre la pieza de trabajo.
- Mueva lentamente la máquina sobre la pieza de trabajo, presionando firmemente la almohadilla de lijado contra la pieza de trabajo.
- No aplique demasiada presión sobre la máquina. Deje que la máquina haga el trabajo.

## 5. MANTENIMIENTO



*Antes de realizar la limpieza y el mantenimiento, apague siempre la máquina y extraiga el paquete de baterías de la máquina.*

Limpie regularmente la carcasa de la máquina con un paño suave, preferentemente después de cada uso. Compruebe que los orificios de ventilación estén libres de polvo y suciedad. Elimine el polvo persistente utilizando un paño suave humedecido

con agua y jabón. No use disolventes tales como gasolina, alcohol, amoníaco, etc. Tales productos químicos pueden dañar los componentes sintéticos.

## MEDIOAMBIENTE



*Los aparatos eléctricos o electrónicos defectuosos y/o desechados deben recogerse en lugares de reciclado apropiado.*

### Solo para países de la Comunidad Europea

No elimine las herramientas eléctricas como residuos domésticos. De acuerdo con la Directiva europea 2012/19/CE sobre residuos de aparatos eléctricos y electrónicos, y su transposición a las legislaciones nacionales, las herramientas eléctricas que ya no se utilizan deben recogerse por separado y eliminarse en modo ecológico.

## CONDICIONES DE GARANTÍA

Consulte las condiciones de la garantía adjunta.

## LIXADORA PARA PORMENORES 130W

Obrigado por adquirir este produto Ferm. Trata-se de um produto excelente, fabricado por um dos fornecedores líderes na Europa. Todos os produtos fornecidos pela Ferm são fabricado em conformidade com os mais elevados requisitos de desempenho e segurança. Como parte da nossa filosofia, oferecemos uma excelente assistência ao cliente, apoiada pela nossa garantia abrangente. Esperamos que desfrute deste produto por muitos anos.

## AVISOS DE SEGURANÇA



### AVISO

**Leia os avisos de segurança incluídos, os avisos de segurança adicionais e as instruções. O não cumprimento dos avisos de segurança e das instruções pode resultar em choque eléctrico, incêndio e/ou graves lesões. Guarde todos os avisos de segurança e as instruções para futura referência.**

Neste manual do utilizador ou no produto utilizam-se os seguintes símbolos:



*Leia o manual do utilizador.*



*Risco de lesões pessoais.*



*Risco de choque eléctrico.*



*Desligue imediatamente a ficha de alimentação da tomada, caso o cabo de alimentação fique danificado, assim como antes de proceder a trabalhos de limpeza e de manutenção.*



*Utilize óculos de protecção. Utilize protecções auriculares.*



*Utilize uma máscara de protecção anti-poeira.*



*Isolamento duplo.*



*Não descarte o produto em recipientes inadequados.*



*O produto está em conformidade com as normas de segurança aplicáveis nas directivas europeias.*

## INSTRUÇÕES GERAIS DE SEGURANÇA



### AVISO!

*Leia todos os avisos de segurança, instruções, ilustrações e especificações fornecidos com esta ferramenta eléctrica. O não cumprimento de todas as instruções indicadas abaixo podem resultar em choque eléctrico, incêndio e/ou ferimentos graves.*

### Conserve todas as instruções.

*Em todos os avisos abaixo indicados o termo “Ferramenta Mecânica” refere-se à fonte de alimentação: com cabo ou com bateria.*

#### 1) Área de Trabalho

- a) **Mantenha a área de trabalho limpa e iluminada.** Zonas escuras e desordenadas promovem acidentes.
- b) **Não trabalhe com ferramentas mecânicas em atmosferas com características explosivas, tais como as que tenham presença de líquidos inflamáveis, gases ou pó.** As ferramentas mecânicas fazem faíscas que podem inflamar o pó ou os gases.
- c) **Mantenha as crianças e desconhecidos afastados enquanto estiver a trabalhar com a ferramenta mecânica.** Distrações podem ocasionar a perda de controlo.

#### 2) Segurança Eléctrica

- a) **As fichas das ferramentas mecânicas devem coincidir com a tomada. Nunca modifique a ficha de qualquer forma. Não utilize fichas de adaptação com ligação à terra.** Utilize as fichas originais que combinem com as tomadas, reduzirão o risco de choque eléctrico.
- b) **Evite o contacto com superfícies ligadas à terra tais como: radiadores e refrigeradores.**

*O risco de choque eléctrico aumenta se o seu corpo estiver em contacto com a terra.*

- c) **Não exponha as ferramentas mecânicas à chuva ou a ambientes de humidade.** O risco de choque eléctrico aumenta com a entrada de água na ferramenta eléctrica.
- d) **Não danifique o cabo eléctrico. Nunca utilize o cordão para transportar, puxar ou desligar a ferramenta mecânica. Mantenha o cordão afastado do calor, óleo, objectos cortantes ou peças móveis.** O risco de choque eléctrico aumenta com cabos danificados e emaranhados.
- e) **Quando trabalhar com a ferramenta na rua, utilize uma extensão adequada para exterior.** O uso de uma extensão de exterior diminui o risco de choque eléctrico.
- f) **Se não for possível evitar trabalhar com uma ferramenta eléctrica num local húmido, utilize uma fonte de alimentação protegida por um dispositivo de corrente residual (DCR).** A utilização de um DCR reduz o risco de choque eléctrico.

#### 3) Segurança de Pessoal

- a) **Mantenha-se alerta, observe o que está a fazer e utilize sentido comum quando trabalhar com a ferramenta mecânica. Não utilize a ferramenta quando estiver cansado, sobre a acção de medicação, drogas ou álcool.** Um momento de distração poderá originar sérios ferimentos.
- b) **Use equipamento de protecção pessoal. Use protecção para os olhos.** Utilize sempre equipamento de segurança, tal como: chapéu duro, sapatos antiderrapantes, máscara de pó, protecção para o ruído; diminuirá o risco de acidente.
- c) **Evite accionamentos acidentais. Coloque o botão sempre na posição de OFF antes de ligar a ficha. Evite iniciar a ferramenta acidentalmente.** O transporte de ferramentas eléctricas com o dedo colocado no interruptor ou a ligação à corrente das ferramentas eléctricas com o interruptor ligado pode dar origem a acidentes.
- d) **Retire qualquer chave de ajuste antes de ligar a ferramenta.** Deixar uma chave junto a zona de rotação da ferramenta pode causar acidentes.

- e) **Mantenha-se equilibrado e com os pés bem assentes.** *Evitará situações imprevistas.*
- f) **Vista-se convenientemente. Não utilize roupa larga ou jóias. Mantenha o cabelo, roupa e luvas fora do alcance das peças que se movem.** *Roupa larga, jóias, e cabelo comprido podem emaranhar-se nas peças da ferramenta mecânica.*
- g) **Se existirem dispositivos para a extracção e recolha de pó, assegure-se que estes estão ligados correctamente.** *O uso destes dispositivos pode reduzir o perigo relacionados com a poeira.*
- h) **Não permita que a familiaridade obtida através do uso frequente de ferramentas faça com que seja complacente e ignore os princípios de segurança da ferramenta.** *Uma acção irreflectida pode causar ferimentos graves numa fracção de segundos.*
- 4) Utilização e manutenção da ferramenta mecânica**
- a) **Não force a ferramenta mecânica. Utilize a ferramenta mecânica adequada a cada trabalho.** *A escolha da ferramenta correcta produz um trabalho mais perfeito de acordo com a sua utilidade.*
- b) **Não utilize a ferramenta mecânica se o botão não se ligar On e Off.** *Deve reparar o botão em caso de avaria pois é muito perigoso.*
- c) **Desligue a ficha da fonte antes de fazer qualquer ajuste, tais como: mudar de acessórios ou guardar a ferramenta.** *Estas medidas evitam a possibilidade de iniciar a ferramenta por acidente.*
- d) **Armazene a ferramenta mecânica sempre desligada, fora do alcance de crianças, e não permita que se aproximem pessoas desconhecedoras da sua utilização.** *Ferramentas mecânicas são perigosas nas mãos de estranhos.*
- e) **Manutenção da ferramenta mecânica. Verifique se existe: algum desalinhamento ou emperramento das peças moventes, envelhecimento das peças ou qualquer outra situação que possa alterar o funcionamento de máquina. Em caso de deficiências repare a ferramenta antes de a utilizar.** *Muitos acidentes são causados por falta de manutenção.*
- f) **Mantenha as zonas de corte afiadas e limpas.** *Esta atitude evitará a fricção das ferramentas cortantes.*
- g) **Utilize a ferramenta e os acessórios, etc., de acordo com as instruções dadas. De forma a ter em conta o tipo de ferramenta mecânica, as condições de trabalho e o trabalho desejado.** *A utilização da ferramenta mecânica para outros fins os que não aqui indicados, pode induzir em situações de perigo.*
- h) **Mantenha as pegas e as superfícies de fixação secas, limpas e sem óleo e gordura.** *As pegas escorregadias e as superfícies de fixação não permitem o manuseamento seguro e o controlo da ferramenta em situações imprevistas.*
- 6) Assistência**
- a) **A sua ferramenta eléctrica só deve ser reparada por pessoal qualificado e só devem ser utilizadas peças sobressalentes originais.** *Desta forma, é garantida a segurança da ferramenta eléctrica.*

### Avisos adicionais de segurança para lixadoras delta



O contacto com ou a inalação de poeiras que sejam libertadas durante a utilização (por exemplo, de superfícies pintadas com tinta à base de chumbo, madeira e metal) poderão ser nocivos para a sua saúde ou a de transeuntes. Utilize sempre equipamento de protecção adequado, tal como uma máscara de protecção anti-poeiras. Utilize sempre um sistema de extracção de poeiras adequado durante a utilização.

- Não trabalhe materiais que contenham amianto. O amianto é considerado carcinogénico.
- Nunca utilize a máquina para lixar peças de trabalho de magnésio.
- Utilize óculos de protecção. Utilize protecções auriculares. Se necessário, utilize outros meios de protecção, tais como luvas de segurança, calçado de segurança, etc.
- Segure a máquina pelas superfícies de pega isoladas nos casos em que o acessório possa entrar em contacto com cablagem oculta ou o cabo de alimentação. Se o acessório entrar em contacto com um cabo com tensão, as



peças metálicas expostas também ficam com tensão. Risco de choque eléctrico.

- Seja extremamente cuidadoso sempre que lixar superfícies pintadas.
- Antes de utilizar, retire todos os pregos e outros objectos de metal da peça de trabalho.
- Certifique-se de que a peça de trabalho está devidamente apoiada ou fixa.
- Utilize apenas papel de lixa adequado para utilização com a máquina.
- Utilize apenas papel de lixa com as dimensões correctas. Assegure-se de que o papel de lixa está devidamente colocado.
- Inspeccione o papel de lixa antes de cada utilização. Não utilize papel de lixa gasto em consequência de uma utilização prolongada.
- Nunca coloque a máquina para baixo sobre uma mesa ou bancada antes de desligá-la.

### Segurança eléctrica



*Certifique-se sempre de que a tensão de alimentação corresponde à tensão indicada na placa de especificações.*

- Não utilize a máquina se o cabo ou ficha de alimentação estiverem danificados.
- Se for necessário substituir o **cabo de alimentação**, isto deve ser efectuado pelo fabricante ou pelo respectivo agente para evitar situações de risco.
- Utilize apenas cabos de extensão adequados à classificação nominal da máquina com uma espessura mínima de 1,5 mm<sup>2</sup>. No caso de usar uma bobina de cabo de extensão, desenrole o cabo todo.

### Dados técnicos

<b>Model No.</b>	<b>PSM1035</b>
Tensão	230 V~
Frequência da rede	50 Hz
Potência de entrada	130 W
Velocidade sem carga	14.000 min-1
Peso	0,68 kg

### RUÍDO E VIBRAÇÃO

Pressão acústica ( $L_{pa}$ )	76 + 3 dB(A)
Potência acústica ( $L_{wa}$ )	87 + 3 dB(A)
Vibração	3,017 + 1,5 m/s <sup>2</sup>



*Utilize protecções auriculares.*

### Nível de vibração

O nível de emissão de vibrações indicado na parte posterior deste manual de instruções foi medido de acordo com um teste normalizado fornecido na EN 62841-1, EN 62841-2-4; pode ser utilizado para comparar uma ferramenta com outra e como uma avaliação preliminar de exposição à vibração quando utilizar a ferramenta para as aplicações mencionadas:

- o nível de emissão de vibrações durante a utilização efectiva da ferramenta eléctrica pode ser diferente do valor total declarado, dependendo da maneira como a ferramenta for utilizada; e
- é necessário para identificar medidas de segurança para proteger o utilizador que se baseiam num nível estimado da exposição nas condições efectivas de utilização (tendo em consideração todos os passos do ciclo de funcionamento, como os períodos em que a ferramenta é desligada e quando está a funcionar ao ralenti, além do tempo de accionamento).

Proteja-se contra os efeitos da vibração, mantendo a ferramenta e os acessórios, mantendo as mãos quentes e organizando os padrões de trabalho

## 2. DESCRIÇÃO (FIG. A)

### Utilização pretendida

A máquina é concebida para lixar madeira, plásticos e metal. Esta máquina é adequada apenas para lixagem a seco. A máquina não é adequada para processar objectos que contenham amianto. A utilização indevida pode danificar a ferramenta.

Os números indicados no texto dizem respeito aos diagramas na página 2.

1. Interruptor de ligar/desligar
2. Punho
3. Caixa de poeira
4. Suporte de lixa
5. Lixa
6. Ranhura

### 3. MONTAGEM



*Antes de montar, desligue sempre a máquina no interruptor e retire a ficha da tomada.*

#### Instalar a caixa de poeira (Fig. B)

Recomenda-se vivamente a utilização da máquina com a caixa de poeira (3) para garantir uma recolha de poeira adequada.

- Encaixe a ranhura na caixa de poeira sobre o entalhe na saída de poeira traseira.
- Para garantir um encaixe da caixa de poeira em segurança, empurre a caixa de poeira até ouvir um ruído de encaixe.

*Nota:* A caixa de poeira deve ser esvaziada quando estiver meio cheia, para manter uma boa recolha da poeira.

#### Montar e retirar a lixa (Fig. C)

- Segure na máquina de lado ou virada ao contrário, como indicado na Fig. C1.
- Monte a lixa (5) com o tamanho de grão necessário na patim de lixagem (4). O furo na lixa (5) corresponde ao O furo no patim de lixagem (4), como indicado na Fig. C2.
- Para retirar a lixa (5), basta puxar a lixa do patim de lixagem (4).

*Nota:* Utilize uma lixa grossa para lixar superfícies ásperas e irregulares. Utilize uma lixa média para retirar os riscos restantes da lixa grossa. Utilize uma lixa fina para fazer o acabamento de superfícies.

#### Substituição do suporte de lixa (fig. D)

Em caso de desgaste, substitua o suporte de lixa.

- Se necessário, retire o papel de lixa.
- Desaperte os parafusos do suporte de lixa (4).
- Retire o suporte de lixa usado.
- Monte o novo suporte de lixa.
- Aperte os parafusos ao suporte de lixa (4).

### 4. UTILIZAÇÃO

#### Ligação e desligação (fig. A)

- Para ligar a máquina, coloque o interruptor de ligar/desligar (1) na posição ,I'.
- Para desligar a máquina, coloque o interruptor de ligar/desligar (1) na posição ,0'.

#### Sugestões para uma melhor utilização

- Segure firmemente a máquina pelo punho.
- Ligue a máquina.
- Coloque o suporte de lixa com papel de lixa sobre a peça de trabalho.
- Desloque lentamente a máquina sobre a peça de trabalho, pressionando firmemente o suporte de lixa contra a peça de trabalho.
- Não aplique demasiada pressão sobre a máquina. Permita que a máquina execute o trabalho.

### 5. MANUTENÇÃO



*Desligue a máquina da fonte de alimentação antes de efectuar quaisquer tarefas de manutenção.*

Limpe a carcaça da máquina com regularidade com um pano macio, de preferência após cada utilização. Certifique-se de que as aberturas de ventilação não têm pó ou sujidade. Retire a sujidade muito persistente com um pano macio humedecido com água de sabão. Não utilize solventes, como gasolina, álcool, amoníaco, etc. Este tipo de produtos químicos danificam os componentes sintéticos.

### AMBIENTE



*Os aparelhos eléctricos ou electrónicos avariados e/ou eliminados têm de ser recolhidos nos pontos de reciclagem adequados.*

#### Apenas para os países da CE

Não coloque as ferramentas eléctricas no lixo doméstico. Em conformidade com a directriz europeia 2012/19/EU relativa a resíduos de equipamentos eléctricos e electrónicos e respectiva implementação na legislação nacional, as ferramentas eléctricas não utilizáveis devem ser recolhidas separadamente e eliminadas de um modo ecologicamente seguro.

### DEFINIZIONI DELLA GARANZIA

Consultare i termini e le condizioni della garanzia allegata.

## SMERIGLIATRICE DI PRECISIONE 130W

Grazie per aver acquistato questo prodotto Ferm. Con questo acquisto lei è entrato in possesso di un prodotto di qualità eccellente, distribuito da uno dei principali fornitori in Europa. Tutti i prodotti distribuiti da Ferm sono realizzati in conformità con i più rigidi standard in materia di sicurezza e prestazioni. È nostra filosofia offrire al cliente un servizio di assistenza di eccellente livello, supportato da una garanzia completa. Ci auguriamo che apprezzerà l'uso di questo prodotto per molti anni a venire.

### 1. ISTRUZIONI DI SICUREZZA



**Leggere accuratamente gli avvisi di sicurezza, gli avvisi di sicurezza aggiuntivi e le istruzioni.** La mancata osservanza degli avvisi di sicurezza e delle istruzioni potrebbe causare scosse elettriche, incendio e/o gravi lesioni. **Mantenere gli avvisi di sicurezza e le istruzioni a portata di mano per future consultazioni.**

I seguenti simboli sono utilizzati nel presente manuale utente o sul prodotto:



Leggere il manuale utente.



Pericolo di lesioni personali.



Pericolo di scosse elettriche.



Disconnettere immediatamente la spina di alimentazione dalla rete elettrica qualora il cavo di alimentazione risulti danneggiato e durante ogni operazione di pulitura e manutenzione.



Indossare occhiali di protezione.  
Indossare protezioni per l'udito.



Indossare una mascherina anti-polvere.



Doppio isolamento



Non smaltire il prodotto in contenitori non idonei.



Il prodotto è conforme agli standard pertinenti in materia di sicurezza previsti dalla legislazione Europea.

### REGOLE GENERALI DI SICUREZZA



#### ATTENZIONE!

**Leggere tutte le avvertenze di sicurezza, le istruzioni, le illustrazioni e le specifiche tecniche fornite insieme a questo elettroutensile.** La mancata osservanza delle istruzioni seguenti può dar luogo a una scossa elettrica, un incendio e/o lesioni personali gravi.

#### Conservare queste istruzioni.

Il termine "arnese elettrico" in tutti gli avvertimenti sotto elencati si riferisce al vostro arnese elettrico che funziona a corrente (con filo) o ad un arnese che funziona a pile (senza filo).

#### 1) Area di lavoro

- Mantenere l'area di lavoro pulita e ben illuminata.** Aree buie e disordinate favoriscono gli incidenti.
- Non usare arnesi elettrici in atmosfere esplosive, come vicino ai liquidi infiammabili, gas o polveri.** Gli arnesi elettrici creano scintille che possono incendiare la polvere dei vapori.
- Tenere lontani bambini e altre persone mentre si accende l'arnese elettrico.** Le distrazioni possono farvi perdere il controllo.

#### 2) Sicurezza elettrica

- Le spine dell'arnese elettrico devono andare bene per la presa di corrente. Non modificare mai la spina in alcun modo. Non usare alcun adattatore con arnesi elettrici a terra (messo a terra).** Spine non modificate che vanno bene per le prese di corrente ridurranno il rischio di shock elettrico.
- Evitare il contatto corporeo con superfici a terra come tubature, radiatori, fornelli e refrigeratori.** C'è un rischio maggiore di shock elettrico se il vostro corpo è a terra.

- c) **Non esporre arnesi elettrici alla pioggia o a condizioni di umidità.** *Se dell'acqua penetra nell'arnese elettrico aumenterà il rischio di shock elettrico.*
- d) **Non abusare del filo. Non usare mai il filo per trasportare, spingere o staccare dalla presa l'arnese elettrico. Tenere il filo lontano da calore, olio, bordi taglienti o parti mobili.** *Fili danneggiati o aggrovigliati aumentano il rischio di shock elettrico.*
- e) **Quando si accende un arnese elettrico all'aperto, usare una prolunga adatta a tale uso.** *Usare un filo adatto all'uso all'aperto ridurrà il rischio di shock elettrico.*
- f) **Se non è possibile evitare l'uso di un elettrotensile in ambiente umido, usare una rete di alimentazione protetta da un interruttore differenziale (salvavita).** *L'uso di un salvavita riduce il rischio di scosse elettriche.*
- 3) Sicurezza personale**
- a) **Stare vigili e attento quando si accende un arnese elettrico. Non usare un arnese elettrico mentre si è stanco o sotto l'effetto di droghe, alcool o medicinali.** *Un momento di disattenzione mentre si accendono arnesi elettrici può causare delle gravi lesioni personali.*
- b) **Usare dispositivi di protezione individuale. Indossare sempre una protezione per gli occhi.** *Dispositivi di sicurezza come mascherina per la polvere, scarpe di sicurezza antiscivolo, casco, o protezioni per le orecchie usate nelle appropriate condizioni, ridurranno le lesioni personali.*
- c) **Prevenire l'avvio accidentale. Assicurarsi che l'interruttore sia spento prima di collegarsi.** *Trasportare elettrotensili tenendo il dito sull'interruttore di accensione o dare corrente ad elettrotensili con l'interruttore acceso può dare luogo a incidenti.*
- d) **Rimuovere ogni chiave regolatrice o chiave per dadi prima di accendere l'arnese elettrico.** *Una chiave per dadi o una chiave lasciata attaccata ad una parte rotante dell'arnese elettrico può provocare lesioni personali.*
- e) **Cercare di mantenere l'equilibrio. Mantenere sempre un punto d'appoggio appropriato.** *Questo consente un controllo migliore dell'arnese elettrico in situazioni inaspettate.*
- f) **Vestirsi adeguatamente. Non indossare vestiti larghi o gioielli. Tenere lontano capelli, vestiti e guanti dalle parti mobili.** *Vestiti larghi, gioielli o capelli lunghi possono essere presi nelle parti mobili.*
- g) **Se vengono forniti dispositivi per la connessione dell'estrazione della polvere e attrezzature di raccolta, assicurarsi che questi siano collegati e usati correttamente.** *L'uso di questi dispositivi può ridurre i rischi correlati alla polvere.*
- h) **Non lasciare che la confidenza acquisita dall'uso frequente induca l'utilizzatore ad assumere comportamenti imprudenti e a ignorare i principi di sicurezza per l'utensile.** *Una semplice distrazione può provocare gravi lesioni personali in una frazione di secondo.*
- 4) Uso e manutenzione dell'arnese elettrico**
- a) **Non forzare l'arnese elettrico. Usare l'arnese elettrico corretto per il vostro impiego.** *L'arnese elettrico corretto farà il lavoro meglio e in maniera più sicura alla velocità per la quale è stato progettato.*
- b) **Non usare l'arnese elettrico se l'interruttore non si accende o non si spegne.** *Ogni arnese elettrico che non può essere controllato con l'interruttore è pericoloso e deve essere riparato.*
- c) **Scollegare la spina dalla sorgente di elettricità prima di fare qualsiasi regolazione, cambiare gli accessori, o conservare arnesi elettrici.** *Tali misure di sicurezza preventive riducono il rischio di accendere l'arnese elettrico accidentalmente.*
- d) **Conservare gli arnesi elettrici inattivi fuori dalla portata dei bambini e non permettere a persone che non hanno confidenza con l'arnese elettrico o con queste istruzioni di usare l'arnese elettrico.** *Gli arnesi elettrici sono pericolosi per utenti inesperti.*
- e) **Mantenere gli arnesi elettrici. Controllare il non allineamento o l'attacco di parti mobili, la rottura di parti ed ogni altra condizione che può influire sul funzionamento degli arnesi elettrici. Se è danneggiato, far riparare l'arnese elettrico prima dell'uso.** *Molti incidenti sono causati da arnesi elettrici mantenuti male.*
- f) **Mantenere gli arnesi da taglio affilati e puliti.** *È meno probabile che si attacchino degli*

arnesi da taglio mantenuti correttamente con tagli affilate e questi sono anche più facili da controllare.

- g) **Usare l'arnese elettrico, gli accessori e le parti dell'arnese ecc, secondo queste istruzioni e nel modo pensato per il particolare tipo di arnese elettrico, tenendo conto delle condizioni di lavoro e del lavoro da svolgere.** *L'uso dell'arnese elettrico per operazioni diverse da quelle pensate potrebbe causare situazioni pericolose.*
- h) **Mantenere le impugnature e le superfici di presa asciutte, pulite e libere da olio e grasso.** *Impugnature e superfici di presa scivolose non consentono di maneggiare e controllare in sicurezza l'utensile in situazioni impreviste.*
- 6) **Riparazione**
- a) **L'assistenza per l'elettrotensile deve essere prestata da un tecnico qualificato che utilizzi soltanto ricambi originali.** *In questo modo viene garantita la sicurezza dell'elettrotensile.*

## Avvisi di sicurezza aggiuntivi per levigatrici triangolari



*Il contatto o l'inalazione delle polveri prodotte durante l'uso (es.: superfici trattate con vernici al piombo, legno e metallo) possono risultare nocivi per la salute dell'utente e degli astanti nelle vicinanze. Indossare sempre adeguati accessori protettivi, come ad esempio una maschera antipolvere. Utilizzare sempre un adeguato sistema di aspirazione delle polveri durante l'uso.*

- Non operare su materiali contenenti amianto. L'amianto è una sostanza considerata cancerogena.
- Non utilizzare l'elettrotensile per levigare materiali contenenti magnesio.
- Indossare occhiali di protezione. Indossare protezioni per l'udito. Se necessario, utilizzare accessori protettivi, come guanti di sicurezza, scarpe di sicurezza, ecc.
- Nei punti in cui l'accessorio può entrare in contatto con fili elettrici nascosti o con il cavo di alimentazione, sostenere l'elettrotensile mediante l'apposita impugnatura isolante. Se l'accessorio entra in contatto con un filo elettrico

sotto tensione, è possibile che anche le parti metalliche esposte dell'elettrotensile entrino sotto tensione. Pericolo di scosse elettriche.

- Porre estrema attenzione nel levigare superfici verniciate.
- Prima dell'uso, rimuovere chiodi ed altri oggetti metallici dal pezzo in lavorazione.
- Verificare che il pezzo in lavorazione sia sostenuto o fissato correttamente.
- Utilizzare esclusivamente carta abrasiva idonea all'uso con l'elettrotensile.
- Utilizzare esclusivamente carta abrasiva con le corrette dimensioni. Assicurarsi che la carta abrasiva sia montata correttamente.
- Prima di ogni uso, controllare lo stato della carta abrasiva. Non utilizzare carta abrasiva usurata a seguito di un uso prolungato.
- Non porre mai l'elettrotensile su un tavolo o un banco da lavoro senza averlo precedentemente spento.

### Sicurezza elettrica



*Controllare sempre che la tensione di alimentazione corrisponda alla tensione indicata sulla targhetta delle caratteristiche.*

- Non utilizzare l'elettrotensile quando il cavo o la spina di alimentazione sono danneggiati.
- Se è necessaria la sostituzione del cavo di alimentazione, questa deve essere eseguita dal produttore o da un suo agente al fine di evitare rischi per la sicurezza.
- Utilizzare esclusivamente cavi di prolunga idonei per la potenza nominale dell'elettrotensile, con conduttori di sezione minima di 1,5 mm<sup>2</sup>. Quando si utilizza un cavo di prolunga con avvolgicavo, svolgere sempre completamente il cavo.

### DATI TECNICI

<b>Model No.</b>	<b>PSM1035</b>
Tensione di alimentazione	230 V~
Frequenza di alimentazione	50 Hz
Potenza assorbita	130 W
Velocità a vuoto	14.000 min-1
Peso	0,68 kg
<b>RUMOROSITÀ E VIBRAZIONI</b>	
Pressione sonora (L <sub>pa</sub> )	76 + 3 dB(A)
Potenza acustica (L <sub>wa</sub> )	87 + 3 dB(A)
Vibrazioni	3,017 + 1,5 m/s <sup>2</sup>



Indossare protezioni per l'udito.

### Livello delle vibrazioni

Il livello di emissione delle vibrazioni indicato sul retro di questo manuale di istruzioni è stato misurato in conformità a un test standardizzato stabilito dalla norma EN 62841-1, EN 62841-2-4; questo valore può essere utilizzato per mettere a confronto un l'utensile con un altro o come valutazione preliminare di esposizione alla vibrazione quando si impiega l'utensile per le applicazioni menzionate:

- l'emissione di vibrazioni durante l'uso effettivo dell'elettro utensile può differire dal valore totale dichiarato a seconda delle modalità di utilizzo dell'utensile; e
- necessità di individuare misure di sicurezza a tutela dell'operatore che si basino su una stima dell'esposizione nelle condizioni effettive di utilizzo (tenendo conto di tutte le parti del ciclo operativo quali i tempi di spegnimento dell'utensile e di funzionamento a vuoto in aggiunta al tempo di attivazione).

Proteggersi dagli effetti della vibrazione effettuando la manutenzione dell'utensile e dei relativi accessori, mantenendo le mani calde e organizzando i metodi di lavoro

## 2. DESCRIZIONE (FIG. A)

### Uso previsto

La macchina è progettata per la levigatura di legno, plastica e metallo. Questa macchina è adatta solamente per la levigatura a secco. Questa macchina non è adatta per lavorare su oggetti contenenti amianto. Un uso scorretto può danneggiare l'utensile.

I numeri che compaiono nel testo si riferiscono agli schemi riportati a pagine 2.

1. Interruttore di avvio/arresto
2. Impugnatura
3. Contenitore raccogli polvere
4. Platorello
5. Carta abrasiva
6. Fessura

## 3. MONTAGGIO



Prima del montaggio, spegnere sempre l'elettro utensile e scollegare la spina di alimentazione dalla rete elettrica.

### Collegare il contenitore raccogli polvere (Fig. B)

Si raccomanda vivamente di utilizzare la macchina

con il contenitore raccogli polvere (3), al fine di assicurare una raccolta delle polveri ottimale.

- Far scorrere lo slot nel contenitore raccogli polvere sopra l'intaccatura sullo scarico posteriore delle polveri.
- Per fare in modo che il sacchetto raccogli polvere sia inserito in sicurezza, spingere il sacchetto raccogli polvere fino a quando non si sente un clic.

*Nota:* per garantire la raccolta ottimale delle polveri il contenitore raccogli polvere deve essere svuotato quando è pieno o meta.

### Fissaggio e rimozione della carta abrasiva (Fig. C)

- Tenere la macchina sul lato o a testa in giù, come illustrato nella Fig. C1.
- Fissare la carta abrasiva (5) con la grana richiesta sul platorello (4). Assicurarsi che il foro nella carta abrasiva (5) corrisponda al foro sul platorello (4) come da Fig. C2.
- Per rimuovere la carta abrasiva (5), staccare semplicemente la carta dal platorello (4).

*Nota:* per levigare superfici grezze o irregolari usare carta abrasiva a grana grossa. Per rimuovere i graffi residui prodotti dalla carta abrasiva a grana grossa utilizzare una carta abrasiva a grana media. Per la finitura delle superfici usare carta abrasiva a grana fine.

### Sostituzione della piastra levigatrice (Fig. D)

Qualora risultasse usurata, è necessario sostituire la piastra levigatrice.

- Se necessario, rimuovere la carta abrasiva.
- Allentare le viti dalla piastra levigatrice (4).
- Rimuovere la vecchia piastra levigatrice.
- Montare la nuova piastra levigatrice.
- Serrare le viti (10) sulla piastra levigatrice (4).

## 4. USO

### Accensione e spegnimento (fig. A)

- Per accendere la macchina, portare l'interruttore on/off (1) in posizione 'I'.
- Per spegnere la macchina, portare l'interruttore on/off (1) in posizione '0'.

### Suggerimenti per un uso ottimale

- Tenere saldamente l'elettrotensile mediante l'impugnatura.
- Accendere l'elettrotensile.
- Appoggiare la piastra levigatrice con la carta abrasiva sul pezzo in lavorazione.
- Muovere lentamente l'elettrotensile sul pezzo in lavorazione, premendo saldamente la piastra levigatrice contro la superficie del pezzo.
- Non esercitare una pressione eccessiva sull'elettrotensile. Lasciare che l'elettrotensile effettui il lavoro.

nelle normative locali, gli elettrotensili ormai inutilizzabili devono essere raccolti separatamente e smaltiti in modo ecologico.

## DEFINIZIONI DELLA GARANZIA

Consultare i termini e le condizioni della garanzia allegata.

## 5. MANUTENZIONE



*Prima di eseguire qualsiasi operazione di pulizia e intervento di manutenzione spegnere sempre l'elettrotensile e rimuovere la batteria dall'elettrotensile.*

Pulire regolarmente il corpo dell'elettrotensile con un panno morbido, preferibilmente dopo ogni uso. Assicurarsi che le prese d'aria siano libere da polvere e sporczia. Rimuovere lo sporco particolarmente ostinato con un panno morbido inumidito con acqua e sapone. Non utilizzare solventi come benzina, alcol, ammoniaca, ecc. Le sostanze chimiche di questo tipo danneggiano i componenti sintetici.

## RISPETTO AMBIENTALE



*Se si prevede che la macchina non verrà usata per molto tempo si consiglia di conservare le batterie cariche.*

### Solo per i Paesi CE

Non smaltire gli elettrotensili insieme ai rifiuti domestici. Secondo la Direttiva europea 2012/19/EC sui rifiuti delle apparecchiature elettriche ed elettroniche e relativa implementazione



## DETALJSLIPMASKIN 130W

Tack för att du valde denna Ferm-produkt. Du har nu fått en utmärkt produkt, levererad av en av Europas ledande leverantörer.

Alla produkter som levereras från Ferm är tillverkade enligt de högsta standarderna för prestanda och säkerhet. Som en del av vår filosofi ingår även att vi tillhandahåller en utmärkt kundservice, som även backas upp av vår omfattande garanti.

Vi hoppas att du kommer att ha glädje av denna produkt i många år.

### 1. SÄKERHETSVARNINGAR



**Läs de medföljande säkerhetsvarningarna, de tillkommande säkerhetsvarningarna och anvisningarna.** Om inte säkerhetsvarningarna och anvisningarna följs kan detta orsaka elstöt, brand och/eller allvarliga kroppsskador. **Behåll säkerhetsvarningarna och anvisningarna för framtida bruk.**

Följande symboler används i bruksanvisningen eller på produkten:



Läs igenom bruksanvisningen.



Risk för personskada.



Risk för elstöt.



Dra omedelbart ut nätkontakten ur vägguttaget om nätsladden skadas och även under rengöring och underhåll.



Använd skyddsglasögon.  
Använd hörselskydd.



Använd skyddsmask.



Dubbelisolerad.



Släng inte produkten i olämpliga behållare.



Produkten är i överensstämmelse med tillämpliga säkerhetsstandarder i EU-direktiven.

### ALLMÄNNA SÄKERHETS-FORSKRIFTER



#### VARNING!

**Läs alla säkerhetsvarningar, anvisningar, illustrationer och specifikationer som medföljer detta elverktyg.** Underlåtenhet att följa alla anvisningar som anges nedan kan resultera i elstöt, brand och/eller allvarlig skada

#### Spara dessa instruktioner.

Termen "elektriskt redskap" i varningarna som anges nedan hänvisar till elektriska verktyg (med sladd, anslutet till el-nätet) eller batteridrivna (sladdlösa) elektriska verktyg.

#### 1) Arbetsutrymme

- Se till att arbetsutrymmet är städat och väl upplyst.** Stökiga och mörka utrymmen ger anledning till olyckor.
- Använd inte elektriska verktyg i explosiv luft, såsom i närheten av lättantändliga vätskor, gaser eller damm.** Elektriska verktyg åstadkommer gnistor som kan sätta eld på damm eller gas.
- Håll barn och obehöriga på avstånd när du använder ett elektriskt verktyg.** Om du blir distraherad kan du tappa kontrollen över verktyget.

#### 2) El-säkerhet

- Stickkontakten till elektriska verktyg måste passa el-uttaget. Ändra aldrig på något sätt på stickkontakten. Använd inte adapterkontakter till jordade elektriska verktyg.** Oförändrade stickkontakter och passande uttag minskar risken för el-stöt.
- Undvik kroppskontakt med jordade ytor såsom rör, element, spisar och kylskåp.** Risken för el-stöt är större om din kropp är jordad.
- Låt inte elektriska verktyg utsättas för regn eller våta förhållanden.** Om det kommer in vatten i ett elektriskt verktyg ökar risken för el-stöt.

- d) Skada inte kabeln. Använd aldrig kabeln för att bära eller dra det elektriska verktyget eller för att dra ut stickkontakten. Håll sladden borta från höga temperaturer, olja, vassa kanter eller rörliga delar. Skadade eller hoptrasslade kablar ökar risken för el-stötar.
- e) När du använder ett elektriskt verktyg utomhus måste förlängningskabeln vara lämplig för utomhusbruk. Om man använder en förlängningskabel för utomhusbruk minskar risken för el-stötar.
- f) Använd jordfelskydd (RCD) om arbete med ett elverktyg i fuktig miljö är oundvikligt. Användning av RCD minskar risken för elstötar.
- 3) Personlig säkerhet**
- a) Var uppmärksam, titta på det du håller på med och använd sunt förnuft när du arbetar med ett elektriskt verktyg. Använd inte elektriska verktyg när du är trött eller står under inflytande av droger, alkohol eller mediciner. Ett ögonblicks uppmärksamhet vid användandet av elektriska verktyg kan leda till allvarliga personskador.
- b) Använd personlig skyddsutrustning. Bär alltid skyddsglasögon. Säkerhetsutrustning såsom skyddsmasker, skor med anti-halksula, hjälm eller hörselskydd som används vid rätt omständigheter kommer att minska personskador.
- c) Förhindra oavsiktlig igångsättning. Se till att strömbrytaren är avslagen innan du sätter stickkontakten i eluttaget. Om du bär elverktyg med fingret på brytaren eller strömsätter elverktyg vars brytare är aktiverad kan du råka ut för en olycka.
- d) Ta bort skiftnycklar och skruvnycklar innan ett elektriskt verktyg slås på. En skift- eller skruvnyckel som lämnas kvar fastsatt vid det elektriska verktygets roterande delar kan leda till personskada.
- e) Sträck dig inte för långt. Se till att du alltid står stadigt och i balans. På så sätt har du bättre kontroll över det elektriska verktyget i oväntade situationer.
- f) Klä dig rätt. Bär inte löst sittande kläder eller smycken. Håll håret, kläder och handskar borta från rörliga delar. Löst sittande kläder, smycken eller långt hår kan fastna i de rörliga delarna.
- g) Om apparater för uppsugning och uppsamling av damm finns tillgängliga, se till att de ansluts och används korrekt. Om sådana apparater används kan dammrelaterade faror minskas.
- h) Låt inte erfarenheten som uppnås vid frekvent användning av verktyg låta dig bli för självsäker och ignorera verktygs säkerhetsprinciperna. En oförsiktig handling kan orsaka allvarliga skador under bråkdelen av en sekund.
- 4) Underhåll av elektriska verktyg**
- a) Överbelasta inte ett elektriskt verktyg. Använd rätt sorts verktyg till det arbete du vill utföra. Rätt sorts elektriskt verktyg gör arbetet bättre och säkrare i den hastighet det var designat för.
- b) Använd inte verktyget om strömbrytaren är trasig. Om ett elektriskt verktyg inte kan kontrolleras med hjälp av en strömbrytare är det farligt och måste lagas.
- c) Koppla loss stickkontakten från verktyget innan du utför några justeringar, byter tillbehör eller förvarar det. Med dessa preventiva säkerhetsåtgärder minskas risken för att det elektriska verktyget går på av misstag.
- d) Förvara elektriska verktyg som inte är i bruk utom räckhåll för barn och låt inte personer som inte känner till verktyget eller dessa instruktioner använda det. Elektriska verktyg är farliga i händerna på oerfarna användare.
- e) Underhåll elektriska verktyg. Kontrollera att alla rörliga delar är i rät linje och fastsatta, att inga delar är trasiga och att de är korrekt monterade. Kontrollera även annat som kan påverka verktygets funktion. Om det elektriska verktyget är trasigt måste det repareras innan det tas i bruk. Många olyckor förorsakas av dåligt underhållna elektriska verktyg.
- f) Håll alltid sågande och skärande verktyg vassa och rena. Sågande och skärande verktyg med vassa eggar/skär fastnar inte så lätt och är enklare att hålla kontroll över.
- g) Använd det elektriska verktyget, dess tillbehör, borrande eller skärande delar etc. enligt dessa instruktioner och på det sätt som det är avsett för. Ta med förutsättningarna och det arbete som ska utföras i beräkningarna. Att använda ett

elektriskt verktyg för andra arbeten än det är avsett för kan resultera i farliga situationer.

- h) **Se till att handtagen är torra, rena och fria från olja och fett.** Hala handtag och grepppytor tillåter inte säker hantering och kontroll av verktyget i oväntade situationer.

## 6) Service

- a) **Låt ditt elverktyg servas av en kvalificerad reparatör och enbart med originalreservdelar.** Detta säkerställer att elverktygets säkerhet upprätthålls.

## Ytterligare säkerhetsvarningar för deltaslipmaskiner



*Kontakt med eller inandning av damm som bildats vid användning (på t.ex. möjnmålade ytor, trä och metall) kan äventyra din hälsa och även de kringståendes. Bär alltid lämplig skyddsutrustning, som t.ex. munskydd. Använd alltid lämplig dammsugning vid användning.*

- Arbeta inte med material som innehåller asbest. Asbest betraktas som cancerframkallande.
- Använd inte maskinen för slipning av arbetsstycken av magnesium.
- Använd skyddsglasögon. Använd hörselskydd. Om nödvändigt, använd andra skyddsanordningar, som skyddshandskar, skyddsskor, etc.
- Håll maskinen i den isolerade greppytan där tillbehöret kan komma i kontakt med dolda ledningar eller nätkablar. Om tillbehöret kommer i kontakt med spänningsförande ledning, kan de exponerade metalldelarna på maskinen också bli spänningsförande. Risk för elstöt.
- Var mycket försiktig vid slipning av målade ytor.
- Före användning, ta bort alla spikar och andra metallföremål från arbetsstycket.
- Se till att arbetsstycket har korrekt stöd eller fäste.
- Använd bara slippapper som lämpar sig för användning tillsammans med maskinen.
- Använd bara slippapper med korrekta mått. Se till att slippappret är korrekt fastsatt.
- Undersök slippappret före varje användning.

Använd inte slippapper som är nött på grund av långvarig användning.

- Placera aldrig maskinen på ett bord eller en arbetsbänk innan den stängts av.

## Elektrisk säkerhet



*Kontrollera alltid att strömförsörjningens spänning överensstämmer med spänningen på märkplåten.*

- Använd inte maskinen om nätkabeln eller nätkontakten är skadad.
- Om byte av **matningsladd** är nödvändigt måste detta göras av tillverkaren eller dennes ombud för att undvika en säkerhetsrisk.
- Använd endast förlängningskablar som är lämpliga för maskinens nominella effekt, minst 1,5 mm<sup>2</sup> tjocka. Om förlängningskabel på trumma används måste kabeln alltid rullas ut helt.

## Tekniska data

Model No.	PSM1035
Nätspänning	230 V~
Nätfrekvens	50 Hz
Ineffekt	130 W
Obelastad hastighet	14.000 min-1
Vikt	0,68 kg

## BULLER OCH VIBRATIONER

Bullernivå (L <sub>pa</sub> )	76 + 3 dB(A)
Ljudeffekt (L <sub>wa</sub> )	87 + 3 dB(A)
Skakas	3,017 + 1,5 m/s <sup>2</sup>



*Använd hörselskydd.*

## Vibrationsnivå

Vibrationsemissionsvärdet som står på baksidan av den här instruktionsboken har uppmätts enligt ett standardiserat test i enlighet med EN 62841-1, EN 62841-2-4; detta värde kan användas för att jämföra vibrationen hos olika verktyg och som en ungefärlig uppskattning av hur stor vibration användaren utsätts för när verktyget används enligt det avsedda syftet:

- vibrationsutsläppet under faktisk användning av elverktyget kan skilja sig från det deklarerade totala värdet beroende på hur verktyget används; och

- måste identifiera säkerhetsåtgärder för att skydda operatören baserat på en uppskattning av exponeringen under de faktiska användningsförhållandena (bedömningen ska även ta hänsyn till alla moment i arbetscykeln, t.ex. när verktyget är avstängt och när det går på tomgång såväl som när det faktiskt används).

Skydda dig mot vibration genom att underhålla verktyget och dess tillbehör, hålla händerna varma och styra upp ditt arbetssätt.

## 2. BESKRIVNING (FIG. A)

### Avsedd användning

Maskinen är konstruerad för slipning av trä, plast och metall. Denna maskin är endast lämplig för torrslipning. Maskinen är inte lämplig för bearbetning av föremål som innehåller asbest. Felaktig användning kan skada verktyget.

Siffrorna i texten hänvisar till diagrammen på sidan 2.

1. Strömbrytare
2. Handtag
3. Dammlåda
4. Slipdyna
5. Slippapper
6. Uttag

## 3. MONTERING



*Innan montering ska du alltid stänga av maskinen och dra ut nätkontakten ur vägguttaget.*

### Anslutning av dammlåda (fig. B)

Vi rekommenderar starkt att du använder maskinen tillsammans med dammlåda (3) för att säkerställa optimalt dammsug. Skjut spåret i dammlådan över skåran på det bakre dammutloppet.

- För att säkerställa att dammlådan sitter ordentligt trycker du på dammlådan tills ett klickljud hörs.

*Notera:* Dammlådan ska tömmas när lådan är halvfull för att bibehålla optimal dammsugning.

### Montering och borttagning av slippapper (fig. C)

- Håll maskinen på sidan eller upp och ned, som visas på fig. C1.
- Montera slippapper (5) med önskad kornstorlek på slipdynan (4). Se till att perforeringen i slippappret (5) överensstämmer med perforeringen på slipdynan (4).
- För att ta bort slippapper (5), dra helt enkelt bort slippappret från slipskivan (4).

*Notera:* Använd grovt slippapper för slipning av grova, ojämna ytor. Använd medelslippapper för att ta bort de återstående reporna från det grova slippappret. Använd fint slippapper för ytbehandling.

### Byte av slipdynan (fig. D)

Om slipdynan är nött måste den bytas ut.

- Ta bort slippappret om så behövs.
- Lossa skruvarna från slipdynan (4).
- Ta bort den gamla slipdynan.
- Montera den nya slipdynan.
- Dra fast skruvarna till slipdynan (4).

## 4. ANVÄNDNING

### Starta och stänga av (fig. A)

- För att slå på maskinen, sätta strömbrytaren (1) i läge ,I'.
- För att stänga av maskinen, sätta strömbrytaren (1) i läge ,0'.

### Tips för bästa användning

- Håll maskinen med ett fast grepp i handtaget.
- Starta maskinen.
- Placera slipdynan med slippappret på arbetsytan.
- Flytta maskinen långsamt över arbetsytan, samtidigt som slipdynan trycks mot arbetsytan med stadig hand.
- Utöva inte för stort tryck på maskinen. Låt maskinen göra arbetet.

## 5. UNDERHÅLL



*Dra alltid ut maskinen från eluttaget innan du utför något underhållsarbete.*

Rengör maskinen hus regelbundet med en mjuk trasa, helst efter varje gång du använder maskinen. Se till att ventilationsöppningarna är fria från damm och smuts. Ta bort mycket ihållande smuts med en mjuk trasa fuktad med tvållösning. Använd inte lösningsmedel som bensin, alkohol, ammoniak osv. Sådana kemikalier skadar de syntetiska komponenterna.

## MILJÖ



*Felaktig och/eller kasserad elektrisk eller elektronisk utrustning måste lämnas in på lämpliga återvinningsstationer.*

### Endast för EU-länder

Släng inte elverktyg i hushållsavfallet. Enligt det europeiska WEEE-direktivet 2012/19/EU för avfall från elektrisk och elektronisk utrustning och dess tillämpning nationellt ska elverktyg som inte längre kan användas samlas in separat och kasseras på ett miljövänligt sätt.

## GARANTI

Se de medföljande garantivillkoren.

## TARKKUUSHIOMAKONE 130W

Kiitämme teitä tämän Ferm-tuotteen valinnasta. Olette hankkineet erinomaisen tuotteen, jonka valmistaja on yksi Euroopan johtavia toimittajia. Kaikki Ferm-yhtiön toimittamat tuotteet on valmistettu korkeimpien suorituskyky- ja turvallisuusstandardien mukaan. Osana filosofiaamme tarjoamme myös korkealuokkaisen asiakaspalvelun, jota tukee kokonaisvaltainen takuu.

Toivomme, että tuote palvelee teitä monia vuosia.

## 1. TURVALLISUUSOHJEET



**Lue nämä turvallisuusohjeet, lisävaroitukset ja ohjeet.** Mikäli turvallisuusohjeita ja varoituksia ei noudateta, voise se johtaa sähköiskuihin, tulipaloon ja/tai vakavaan henkilövahinkoon. **Säilytä turvallisuusohjeet ja varoitukset tulevia käyttökertoja varten.**

Seuraavat merkit esiintyvät käyttöoppaassa tai tuotteessa:



Lue käyttöohjeet.



Henkilövahinkovaara.



Sähköiskuvaara.



*Irrota pistoke välittömästi verkkovirtalähteestä, jos virtajohto on vaurioitunut tai puhdistuksen ja huollon aikana.*



Käytä suojalaseja.  
Käytä kuulosuojaimia.



Käytä hengityssuojaa.



Kaksinkertainen eristys.



Älä hävitä tuotetta sopimattomiin jäteastioihin.

**CE** Tuote täyttää soveltuvien EU-direktiivien turvallisuusstandardit.

## YLEISET TURVALLISUUSOHJEET



### **VAROITUS!**

**Lue kaikki tämän sähkötyökalun mukana toimitetut varoitukset, ohjeet, kuvat ja tekniset tiedot.** Jos alla olevia ohjeita ei noudateta, seurauksena voi olla sähköisku, tulipalo ja/tai vakava henkilövahinko.

### **Pidä nämä ohjeet tallessa.**

Sanalla "sähkötyökalu" viitataan seuraavissa varoituksissa verkkovirtakäyttöiseen (sisältää virtajohtoa) tai akkukäyttöiseen (ei sisällä virtajohtoa) sähkötyökaluusi.

### **1) Työskentelyalue**

- Pidä työskentelyalue siistinä ja huolehdi hyvästä valaistuksesta.** Sotkuisissa ja pimeissä paikoissa tapahtuu helposti tapaturmia.
- Älä käytä sähkötyökaluja räjähdystvaarallisissa paikoissa, esim. lähellä syttyviä nesteitä, kaasuja tai pölyä.** Sähkötyökalut synnyttävät kipinöitä, jotka voivat sytyttää savukaasun tai pölyn.
- Älä päästä lapsia ja ulkopuolisia lähelle käyttäessäsi sähkötyökalua.** Häiriöiden takia saatat menettää laitteen hallinnan.

### **2) Sähköturvallisuus**

- Varmista, että kytket sähkötyökalujen pistotulpan sille sopivaan pistorasiaan. Älä tee pistotulppaan mitään muutoksia. Älä käytä maadoitettujen sähkötyökalujen kanssa minkäänlaista sovitinta.** Muutosten tekeminen pistotulppaan muuttaminen tai vääränlaisen pistorasian käyttäminen lisää sähköiskuvaaraa.
- Vältä koskettamasta maadoitettuja pintoja, kuten putkia, lämpöpattereita, liesiä ja jääkaappeja.** Sähköiskuvaara kasvaa, kun kehosi on maadoitettu.
- Suojaa sähkötyökalut sateelta ja kosteudelta.** Jos laitteen sisään pääsee vettä, sähköiskuvaara kasvaa.
- Älä käytä virtajohtoa väärin. Älä kanna tai vedä laitetta johdosta äläkä irrota**

**pistotulppaa pistorasiasta vetämällä johdosta. Suojaa virtajohto lämmöltä, öljyltä, teräviltä reunoilta ja liikkuvilta osilta.** Vioittunut tai sotkeutunut virtajohto lisää sähköiskuvaaraa.

- Kun käytät sähkötyökaluja ulkona, varmista että käyttämäsi jatkojohto soveltuu ulkokäyttöön.** Ulkokäyttöön sopiva jatkojohto vähentää sähköiskuvaaraa.
- Jos sähkötyökalua on käytettävä kosteassa ympäristössä, käytä vikavirtasuojakytkintä (RCD).** Vikavirtasuojakytkimen käyttö vähentää sähköiskun vaaraa.

### **3) Käyttäjän turvallisuus**

- Kun käytät sähkötyökaluja, ole tarkkana ja keskity tekemäsi työhön. Älä käytä sähkötyökaluja väsyneenä tai huumeiden, alkoholin tai lääkkeiden vaikutuksen alaisena.** Jos menetät pieneksikin hetkeksi laitteen hallinnan, seurauksena voi olla vakava henkilövahinko.
- Käytä henkilökohtaisia suojarusteita. Käytä aina suojalaseja.** Suojarusteiden, kuten hengityssuojan, liukumattomien turvakenkien, kovan päähineen sekä kuulosuojainten käyttö vähentää henkilövahinkojen riskiä.
- Estä tahaton käynnistäminen.** Varmista, että käynnistyskytkin on kytketty pois päältä, ennen kuin kytket pistotulpan pistorasiaan. Onnettomuuksia voi aiheutua, jos sähkötyökalua kuljetetaan sormi liipaisimella tai se liitetään virtalähteeseen kytkin päällä.
- Irrota jokoavaimet ja ruuviavaimet laitteesta ennen kuin kytket laitteen päälle.** Laitteen pyörivässä osassa kiinni oleva jokoavain tai ruuviavain voi aiheuttaa henkilövahingon.
- Älä kurota liian kauas työskennellessäsi. Seiso tukevasti ja varo menettämästä tasapainoasi.** Kun seisot tukevassa asennossa, laite pysyy hallinnassasi arvaamattomissakin tilanteissa.
- Käytä tarkoituksenmukaista vaateusta. Älä käytä löysiä vaatteita tai koruja. Varo, etteivät hiuksesi, vaatteesi ja käsineesi joudu kosketuksiin laitteen liikkuvien osien kanssa.** Löysät vaatteet, korut ja pitkät hiukset voivat tarttua liikkuviin osiin.

- g) Jos laitteeseen kuuluu lisävarusteita pölyn poistoon- ja keräykseen, kiinnitä ne huolellisesti ja käytä niitä asianmukaisesti. Näiden lisävarusteiden käyttö saattaa pienentää pölystä aiheutuvien tapaturmien vaaraa.
- h) Turvallisuusohjeet tulee huomioida aina, vaikka olisit tottunut käyttämään työkaluja usein. Huolimattomuus voi aiheuttaa vakavia henkilövahinkoja sekunnin murto-osassa.

#### 4) Sähkötyökalun käyttö ja hoito

- a) **Älä ylikuormita laitetta. Valitse käyttötarkoitukseen sopiva sähkötyökalu.** Oikealla sähkötyökalulla suoritat työn tehokkaasti ja turvallisesti. Käytä laitetta sille tarkoitettulla nopeudella.
- b) **Älä käytä laitetta, jos et saa kytkettyä sitä päälle ja pois käynnistyskytkimestä. Sähkötyökalu, jota ei saa hallittua käynnistyskytkimestä, on vaarallinen ja täytyy korjata.**
- c) **Irrota pistotulppa pistorasiasta ennen säätöjen suorittamista, lisävarusteiden vaihtamista ja laitteen varastoinnista.** Näin varmistat, että laite ei pääse kytkeytymään päälle vahingossa.
- d) **Säilytä sähkötyökaluja lasten ulottumattomissa. Älä anna sähkötyökalua sellaisten henkilöiden käyttöön, jotka eivät tunne laitetta ja sen käyttöohjeita.** Sähkötyökalut ovat vaarallisia tottumattomien käyttäjien käsissä.
- e) **Huolla sähkötyökaluja. Tarkasta, että liikkuvat osat ovat oikein suunnattuja ja pääsevät liikkumaan vapaasti, kaikki osat ovat ehjiä, eikä laitteessa ole havaittavissa mitään, mikä häiritä sen toimintaa. Jos havaitset laitteessa vian, korjauta laite ennen käyttöä. Monet tapaturmat aiheutuvat laitteiden puutteellisesta huollosta.**
- f) **Pidä leikkaavat työkalut puhtaina ja terävinä.** Kun huollat leikkaavia työkaluja hyvin ja pidät niiden terät terävinä, ne toimivat hyvin ja niitä on helppo hallita.
- g) **Käytä sähkötyökalua, lisävarusteita, teriä jne. tässä annettujen ohjeiden mukaisesti ja vain siihen käyttötarkoitukseen, johon työkalu on suunniteltu. Ota huomioon työskentelyolosuhteet sekä suoritettavan työn luonne. Sähkötyökalun käyttäminen muihin kuin sille tarkoitettuihin**

käyttötarkoituksiin saattaa aiheuttaa vaarallanteita.

- h) **Pidä kahvat ja kädensijat kuivina, puhtaina, öljyttöminä ja rasvattomina.** Jos Kahvat ja kädensijat ovat liukkaita, työkalua ei voida käsitellä turvallisesti odottamattomissa tilanteissa.

#### 6) Huoltaminen

- a) **Anna pätevän korjaajan korjata sähkötyökalu käyttäen ainoastaan samanlaisia varaosia. Täten taataan sähkötyökalun turvallisuus.**

#### Kärkhiomakoneiden lisäturvallisuusohjeet



Kontakti käytöstä aiheutuvaan pölyyn tai sen hengitys (esim. työstäessä lyijymaalattuja pintoja, puuta tai metalleja) voi vaarantaa käyttäjän ja sivullisten terveyden. Käytä aina asianmukaisia suojarusteita, kuten hengityssuojaa. Käytä aina asianmukaista pölynpoistojärjestelmää käytön aikana.

- Älä työstä asbestia sisältäviä materiaaleja. Asbesti on karsinogeeninen materiaali.
- Älä käytä konetta magnesiumia sisältävien työstökappaleiden työstämiseen.
- Käytä suojalaseja. Käytä kuulosuojaimia. Käytä tarvittaessa muita suojarusteita, kuten suojakäsineitä, turvajalkineita, jne.
- Pitele konetta sen eristetyistä kahvoista silloin, kun lisävaruste voi koskettaa piilossa olevia johtoja tai virtajohtoa. Jos lisävaruste koskettaa jännityksenalaista johtoa, jännite voi siirtyä koneen suojaamattomiin metallipintoihin. Sähköiskuvaara.
- Ole erityisen varovainen työstäessä maalattuja pintoja.
- Ennen laitteen käyttöä on kaikki naulat ja muut metalliset osat poistettava työstökappaleesta.
- Varmista, että työstökappale on tuettu tai kiinnitetty hyvin.
- Käytä ainoastaan hiomapaperia, joka sopii käytettäväksi koneen kanssa.
- Käytä ainoastaan oikean kokoista hiomapaperia. Varmista, että hiomapaperi on asennettu koneeseen oikein.
- Tarkista hiomapaperi ennen jokaista käyttökertaa. Älä käytä hiomapaperia, joka on kulunut pitkäaikaisen käytön seurauksena.



- Älä koskaan aseta konetta työtasolle tai -pöydälle, ennen kuin se on kytketty pois päältä.

### Sähköturvallisuus



*Tarkista aina, että verkkojännite vastaa koneen tyyppikilven merkintöjä.*

- Älä käytä konetta, jos sen virtajohto tai pistoke on vaurioitunut.
- Jos virtajohdon vaihto on tarpeen, turvallisuuden varmistamiseksi sen saa suorittaa vain valmistaja tai valmistajan valtuutettu edustaja.
- Käytä ainoastaan jatkojohtoja, jotka sopivat koneen nimellistehoon ja joiden vähimmäispaksuus on 1,5 mm<sup>2</sup>. Jos käytät jatkojohdon kelaa, kelaa johto aina kokonaan vapaaksi.

### Tekniset tiedot

<b>Model No.</b>	<b>PSM1035</b>
Verkkojännite	230 V~
Verkkotaajuus	50 Hz
Ottoteho	130 W
Kuormittamaton nopeus	14.000 min <sup>-1</sup>
Paino	0,68 kg
<b>MELU JA TÄRINÄ</b>	
Äänipaine (L <sub>wa</sub> )	76 + 3 dB(A)
Akustinen teho (L <sub>wa</sub> )	87 + 3 dB(A)
Tärinä	3,017 + 1,5 m/s <sup>2</sup>



*Käytä kuulosuojaimia.*

### Tärinätaso

Tämän ohjekirjan takana mainittu tärinäsaateilytaso on mitattu standardin EN 62841-1, EN 62841-2-4 mukaisen standarditestin mukaisesti; sitä voidaan käyttää verrattaessa yhtä laitetta toiseen sekä alustavana tärinälle altistumisen arviona käytettäessä laitetta manituissa käyttötarkoituksissa:

- tärinäpäästöt sähkötyökalun varsinaisen käytön aikana voivat poiketa ilmoitetusta kokonaisarvosta työkalun käyttötavasta riippuen; ja

- käyttäjän suojelemiseksi on määritettävä turvatoimenpiteet, jotka perustuvat altistumisen arviointiin todellisissa käyttöolosuhteissa (huomioiden käyttöjakson kaikki eri vaiheet, kuten työkalun sammutus- ja tyhjäkäyntiajat varsinaisen käyttöajan lisäksi).

Suojaudu tärinän vaikutuksilta ylläpitämällä laite ja sen lisävarusteet, pitämällä kädet lämpiminä ja järjestämällä työmenetelmät

## 2. KUVAUS (KUVA A)

### Käyttötarkoitus

Kone on tarkoitettu puun, muovien ja metallien hiomiseen. Tämä kone sopii ainoastaan kuivahiontaan. Kone ei sovi asbestia sisältävien materiaalien käsittelemiseen. Virheellinen käyttö voi vaurioittaa työkalua.

Tekstin numerot viittaavat sivun 2 kaavioihin.

1. Virtakytkin
2. Kahva
3. Pölyastia
4. Hioma-alusta
5. Hiomapaperi
6. Kolo

## 3. ASENNUS



*Ennen asennusta kone on aina kytkettävä pois päältä ja sen pistoke on irrotettava verkkovirtalähteestä.*

### Pölyastian liittäminen (kuva B)

Konetta on erittäin suositeltavaa käyttää pölyastialla (3) optimaalisen pölynpoiston takaamiseksi.

- Liu'uta syvennys pölyastiaan takana olevan pölynpoistoaukon uran päälle.
- Varmista, että pölyastia on hyvin paikoillaan painamalla sitä, kunnes kuulet napsahduksen.

*Huomaa:* Optimaalisen pölynpoiston takaamiseksi pölyastia tulee tyhjentää, kun se on puoliksi täynnä.

## Hiomapaperin kiinnittäminen ja irrottaminen (kuvat C)

- Pidä konetta sivullaan tai ylösalaisin kuvan C1 mukaisesti.
- Asenna oikean raekoon hiomapaperi (5) hioma-alustaan (4). Varmista, että hiomapaperin (5) lävistysaukko kohdistuu hioma-alustan (4) lävistyskohtaan.
- Poista hiomapaperi (5) vetämällä hiomapaperi hioma-alustasta (4).

*Huomaa:* Käytä karkeaa hiomapaperia karkeiden ja epätasaisten pintojen hiomiseen. Poista keskikarkealla hiomapaperilla karkeasta hiomapaperista jääneet naarmut. Viimeistele pinnat hienolla hiomapaperilla.

## Hioma-alustan vaihto (kuva D)

Hioma-alusta tulee vaihtaa, jos se on kulunut.

- Poista tarvittaessa hiomapaperi.
- Löysää hioma-alustan ruuvit (4).
- Poista vanha hioma-alusta.
- Asenna uusi hioma-alusta.
- Kiristä hioma-alustan ruuvit (4).

## 4. KÄYTTÖ

### Päälle ja pois päältä kytkentä (kuva A)

- Kytke kone päälle liu'uttamalla virtakytkin (1) asentoon 'I'.
- Kytke kone pois päältä liu'uttamalla virtakytkin (1) asentoon 'O'.

### Vinkkejä optimaaliseen käyttöön

- Pitele konetta tiukasti kahvasta.
- Kytke kone päälle.
- Aseta hioma-alusta hiomapaperilla työstökappaleeseen.
- Siirrä konetta hitaasti työstökappaleen yli, paina hioma-alustaa tiukasti työstökappaleeseen.
- Älä kohdistu koneeseen liikaa painetta. Anna koneen tehdä työ.

## 5. HUOLTO



*Irrota kone aina virransyötöstä ennen huoltotöiden suorittamista.*

Puhdista koneen ulkokuoret säännöllisesti pehmeällä liinalla, mieluiten jokaisen käyttökerran jälkeen. Varmista, että tuuletusaukoissa ei ole pölyä tai likaa. Poista vaikeat tahrat käyttämällä saippuvaahahtoon kostutettua pehmeää liinaa. Älä käytä liuottimia, kuten bensiiniä, alkoholia, ammoniakkaa jne. Vastaavat kemikaalit vaurioittavat synteettisiä komponentteja.

## YMPÄRISTÖ



*Vialliset ja/tai hävitetyt sähkö- ja elektroniset laitteet tulee viedä asianmukaisesti erilliskeräyksiin.*

### Vain EC-maille

Älä hävitä sähkölaitteita kotitalousjätteen mukana. Sähkö- ja elektroniikkaromua koskevan EU-standardin 2012/19/EU ja vastaavien paikallisten lakien mukaisesti käytetyt sähkölaitteet on hävitettävä erilliskeräyksessä ympäristöystävällisesti.

## TAKUU

Lue takuuehdot.

## DETALJSLIPEMASKINER 130W

Takk for at du har kjøpt dette produktet fra Ferm. Du har nå et fremragende produkt fra en av Europas ledende leverandører. Alle produkter fra Ferm produserer i samsvar med de høyeste standarder for ytelse og sikkerhet. Som en del av vår filosofi yter vi fremragende kundeservice og gir en omfattende garanti. Vi håper du vil ha glede av dette produktet i mange år.

### 1. SIKKERHETSADVARSLER



**Les de medfølgende sikkerhetsadvarslene, tilleggssadvarslene og instruksjonene.** Hvis du ikke følger sikkerhetsadvarslene og instruksjonene kan dette føre til elektriske støt, brann og/eller alvorlige skader. **Ta vare på sikkerhetsadvarslene og instruksjonene for fremtidige oppslag.**

Følgende symboler finnes i håndboken eller på produktet:



Les brukerhåndboken.



Risiko for personskade.



Risiko for elektrisk støt.



Trekk øyeblikkelig støpslet ut av stikkkontakten hvis ledningen skades og når du utfører rengjøring eller vedlikehold.



Bruk vernebriller. Bruk hørselsvern.



Bruk støvmaske.



Dobbeltisolert.



Ikke kast produktet på en upassende måte.



Produktet oppfyller gjeldende sikkerhetskrav i EU-direktivene.

## GENERELLE SIKKERHETSFORSKRIFTER



### ADVARSEL!

**Les alle sikkerhetsadvarslere, instruksjer, og spesifikasjoner som følger med dette elektriske verktøyet.** Dersom du ikke følger alle instruksene i listen under kan det føre til elektrisk støt, brann og/eller alvorlig personskade.

Ta vare på disse instruksjonene.

Uttrykket "elektrisk verktøy" i alle advarslene under refererer til de elektriske verktøy som er tilknyttet nettspenning (med ledning) eller er batteridrevete (ledningløs).

### 1) Arbeidsområde

- Hold arbeidsområdet rent og godt opplyst.** Rotete og mørke områder innbyr til ulykker.
- Ikke bruk elektriske verktøy i eksplosive omgivelser, så som i nærheten av lettantennelige væsker, gasser eller støv.** Elektriske verktøy skaper gnister som kan antenne støv/avgasser.
- Hold barn og tilskuere unna mens du bruker et elektrisk verktøy.** Forstyrrelser kan føre til at du mister kontrollen.

### 2) Elektrisk sikkerhet

- Støpselet til elektriske verktøy må passe til stikkkontakten. Støpselet må aldri modifiseres på noen måte. Ikke bruk adaptere på jordete elektriske verktøy.** Umodifiserte støpsler og passende stikkontakter vil redusere faren for elektrisk støt.
- Unngå kroppskontakt med jordete overflater som rør, radiatorer, komfyrer og kjøleskap.** Det er en utvidet fare for elektrisk støt dersom kroppen din er jordnet.
- Ikke eksponer elektriske verktøy for regn eller fuktige forhold.** Vann som trenger inn i et elektrisk verktøy vil øke faren for elektrisk støt.
- Ikke misbruk ledningen. Ikke bruk ledningen til å bære, dra eller trekke ut støpselet til det elektriske verktøyet. Hold ledningen unna varme, olje, skarpe kanter eller bevegelige deler.** Skadde eller sammenfiltrete ledninger øker faren for elektrisk støt.

- e) Når du bruker et elektrisk verktøy utendørs. **Bruk en skjøteledning som er beregnet på utendørs bruk.** Å benytte en ledning som er beregnet på utendørs bruk reduserer faren for elektrisk støt.
- f) Hvis bruk av et elektroverktøy på et fuktig sted ikke kan unngås, bruk en strømtilførsel som beskyttes med jordfeilbryter (RCD). *Bruk av en RCD reduserer risikoen for elektrisk støt.*
- 3) Personlig sikkerhet**
- a) **Vær årvåken, pass på hva du gjør og bruk sunn fornuft når du bruker et elektrisk verktøy.** Ikke bruk et elektrisk verktøy dersom du er sliten eller er påvirket av stoff, alkohol eller medikamenter. *Et øyeblikks uoppmerksomhet mens du betjener elektriske verktøy kan føre til alvorlige personskader.*
- b) **Bruk personlig verneutstyr. Bruk alltid øyebeskyttelse.** *Sikkerhetsutstyr som støvmaske, sklislire sikkerhetssko, hjelm, eller hørselvern brukt under egnede forhold vil redusere personskader.*
- c) **Forhindre utilsiktet start. Pass på at bryteren er i stilling AV før støpselet settes i.** *Å bære elektroverktøy med fingrene på bryteren eller forsyne elektroverktøy som har bryteren på med strøm er en invitasjon til ulykker.*
- d) **Fjern alle justerings- eller skrunøkler før du slår på det elektriske verktøyet.** *En skrunøkkel eller lignende som er festet til en bevegelig del på det elektriske verktøyet kan føre til alvorlig personskade.*
- e) **Ikke forstrekk deg. Pass hele tiden på balanse og fotstilling.** *Det gir bedre kontroll over det elektriske verktøyet i uventete situasjoner.*
- f) **Kle deg riktig. Ikke bruk smykker eller løstsittende klær. Hold hår, klær og hansker unna bevegelige deler.** *Løstsittende klær, smykker eller langt hår kan bli fanget i bevegelige deler.*
- g) **Dersom det finnes utstyr for tilkopling til støvavtrekk og oppsamlingsinnretninger, pass på at disse er tilkoplede og riktig brukt.** *Bruk av slikt utstyr kan redusere støvrelaterte farer.*
- h) **Ikke la erfaring og kjennskap som skyldes hyppig bruk av verktøy føre til at du blir sk-**
- jødesløs og ignorerer sikkerhetsreglene.** *En tankeløs handling kan føre til alvorlig personskade på brøkdelen av et sekund.*
- 4) Bruk og håndtering av elektrisk verktøy**
- a) **Ikke bruk rå kraft på det elektriske verktøyet. Bruk det riktige elektriske verktøyet for ditt behov.** *Det riktige elektriske verktøyet vil gjøre jobben bedre og sikrere innenfor det området det er dimensjonert for.*
- b) **Ikke bruk det elektriske verktøyet dersom bryteren ikke slår det av og på.** *Ethvert elektrisk verktøy som ikke kan kontrolleres med bryteren er farlig og må repareres.*
- c) **Ta ut støpselet fra strømkilden før det foretas justeringer, bytte av tilbehør eller lagring av elektriske verktøy.** *Slike forebyggende sikkerhetstiltak reduserer faren for at det elektriske verktøyet starter ved et uhell.*
- d) **Lagre elektriske verktøy som ikke er i bruk ute av barns rekkevidde, og ikke la personer som ikke er kjent med elektriske verktøy eller instruksjonene som følger med disse, betjene elektriske verktøy.** *Elektriske verktøy er farlige i hendene på uskolerte brukere.*
- e) **Vedlikehold elektriske verktøy. Sjekk etter feilinnretninger eller blokkeringer av bevegelige deler, bruddflater på deler eller noen andre forhold som kan påvirke betjeningen av det elektriske verktøyet.** *Dersom det er ødelagt, få det elektriske verktøyet reparert før ytterligere bruk. Mange ulykker skyldes dårlig vedlikeholdte elektriske verktøy.*
- f) **Hold skjæreverktøy skarpe og rene.** *Godt vedlikeholdte skjæreverktøy med skarpe kuttekanter har vanskeligere for å sette seg fast og er lettere å kontrollere.*
- g) **Bruk det elektriske verktøyet, verktøydeler o.l., i henhold til disse instruksjoner og på den måte som er beregnet for den spesifikke typen elektrisk verktøy, og ta med i beregningen arbeidsforholdene og arbeidet som skal utføres.** *Bruk av det elektriske verktøyet for annen bruk enn den tiltenkte kan føre til farlige situasjoner.*
- h) **Hold håndtak og gripeflater tørre, rene og fri for olje og fett.** *Glatte håndtak og gripelater gir utrygg håndtering og dårlig kontroll over verktøyet i uventede situasjoner.*

## 6) Service

- a) **Få elektroverktøyet vedlikeholdt av en kvalifisert reparatør som kun bruker identiske reservedeler.** Dette sørger for at elektroverktøyet sikkerhet vedlikeholdes.

## Ytterligere sikkerhetsadvarsler for trekantslipere



*Kontakt med eller inhalering av støv som frigjøres under bruk (f.eks. blymalte overflater, tre og metall), kan medføre helsefare for deg og personer i nærheten. Bruk alltid passende verneutstyr, slik som støvmaske. Bruk alltid ordentlig støvavsug under bruk.*

- Ikke arbeid med materialer som inneholder asbest. Asbest anses å være kreftfremkallende.
- Ikke bruk maskinen for sliping av arbeidsstykke i magnesium.
- Bruk vernebriller. Bruk hørselsvern. Bruk annen beskyttelse om nødvendig, slik som vernehansker, vernesko osv.
- Hold maskinen på de isolerte gripeoverflatene hvor tilbehøret kan komme i kontakt med skjulte ledninger eller nettkabelen. Hvis tilbehøret kommer i kontakt med en strømførende kabel, kan også de utsatte metalldelene på maskinen bli strømførende. Risiko for elektrisk støt.
- Vær veldig forsiktig når du sliper malte overflater.
- Før bruk må du fjerne alle spiker og andre metallobjekter fra arbeidsstykket.
- Påse at arbeidsstykket er tilstrekkelig støttet eller festet.
- Bruk kun slipepapir som er egnet til bruk med maskinen.
- Bruk kun slipepapir med riktige dimensjoner. Påse at slipepapiret er riktig montert.
- Inspiser slipepapiret før hvert bruk. Ikke bruk slipepapir som er slitt grunnet lengre bruk.
- Legg aldri fra deg maskinen på et bord eller en benk før den er slått av.

## Elektrisk sikkerhet



*Kontroller alltid at forsynt spenning stemmer overens med spenningen på typeskiltet.*

- Ikke bruk maskinen hvis strømledningen eller støpslet er skadet.

- Hvis det er nødvendig å skifte ut Hvis det er nødvendig å skifte ut strømledningen, må dette gjøres av produsenten eller forhandleren for å unngå sikkerhetsfare.
- Bruk kun skjøteledninger som passer til maskinens nominelle effekt, med en minimumstykkelse på 1,5 mm<sup>2</sup>. Hvis du bruker en skjøteledningstrømmel, må hele ledningen ruller ut.

## Tekniske data

<b>Model No.</b>	<b>PSM1035</b>
Nettspenning	230 V~
Nettfrekvens	50 Hz
Inngangseffekt	130 W
Hastighet uten belastning	14.000 min <sup>-1</sup>
Vekt	0,68 kg

## STØY OG VIBRASJON

Lydtrykk (L <sub>pa</sub> )	76 + 3 dB(A)
Lydkraft (L <sub>wa</sub> )	87 + 3 dB(A)
Vibrasjon	3,017 + 1,5 m/s <sup>2</sup>



*Bruk hørselsvern.*

## Vibrasjonsnivå

Det angitte vibrasjonsnivået som er angitt bak i denne bruksanvisningen er blitt målt i samsvar med en standardisert test som er angitt i EN 62841-1, EN 62841-2-4; den kan brukes til å sammenligne et verktøy med et annet, og som et foreløpig overslag over eksponering for vibrasjoner ved bruk av verktøyet til de oppgavene som er nevnt:

- Vibrasjonsutslippet under faktisk bruk av elektroverktøyet kan avvike fra deklartert totalverdi avhengig av hvordan maskinen brukes; og
- for å beskytte operatøren må sikkerhetstiltak identifiseres. Dette er basert på en eksponeringsberegning med hensyn til de faktiske bruksbetingelsene (alle deler av driftssyklusen er med i beregningen, som for eksempel tidspunktene for når maskinen er avslått, og når den går på tomgang, i tillegg til starttidspunktet).

Beskytt deg selv mot virkningene av vibrasjoner ved å vedlikeholde verktøyet og utstyret, holde hendene varme og organisere arbeidsmåten din

## 2. BESKRIVELSE (FIG. A)

### Tiltenkt bruk

Maskinen er designet for pussing av treverk, plast og metall. Maskinen passer kun for tørr sandpussing. Maskinen er ikke egnet for behandling av objekter som inneholder asbest. Feilaktig bruk kan skade verktøyet.

Tallene i teksten henviser til diagrammene på side 2.

1. På/av-bryter
2. Håndtak
3. Støvboks
4. Slipesåle
5. Sandpapir
6. Spor

## 3. MONTERING



*Før montering må maskinen alltid slås av og støpslet må trekkes ut.*

### Koble til støvboksen (figur B)

Det anbefales sterkt å bruke maskinen med montert støvboks (3), det sikrer optimal støvoppsamling.

- Skyv sporet i støvboksen over knasten på bakre støvutløp.
- For å sikre at støvboksen er festet godt, skyv støvboksen til du hører et klikk.

*Merk:* Støvboksen bør tømmes før den er halvfull for å opprettholde optimal støvoppsamling.

### Sette på og ta av sandpapir (figur C)

- Hold maskinen på siden eller opp-ned, som vist i figur C1.
- Sett på sandpapir (5) med ønsket korning på pusseplaten (4). Pass på at perforeringen i sandpapiret (5) samsvarer med perforeringen i pusseplaten (4) som vist i figur C2.
- For å ta av sandpapiret (5), trekk sandpapiret rett av pusseplaten (4).

*Merk:* Bruk grovt sandpapir for pussing av grove, ujevne flater. Bruk medium sandpapir for å fjerne gjenværende riper etter det grove sandpapiret. Bruk fint sandpapir for slutt pussing av flatene.

### Utskifting av slipesålen (fig. D)

Hvis slipesålen er utslitt, må den byttes ut.

- Hvis nødvendig, fjern slipepapiret.
- Løsne skruene fra slipesålen (4).
- Fjern den gamle slipesålen.
- Sett på den nye slipesålen.
- Stram skruene til slipesålen (4).

## 4. BRUK

### Slå på og av (fig. A)

- For å slå på maskinen, sett på/av-bryteren (1) til stillingen '1'.
- For å slå av maskinen, sett på/av-bryteren (1) til stillingen '0'.

### Tips for optimal bruk

- Hold maskinen stødig i håndtaket.
- Slå på maskinen.
- Plasser slipesålen med slipepapir på arbeidsstykket.
- Beveg maskinen langsomt over arbeidsstykket mens du holder slipesålen stødig mot arbeidsstykket.
- Ikke legg for mye trykk på maskinen. La maskinen gjøre arbeidet.

## 5. VEDLIKEHOLD



*Koble alltid maskinen fra strømforsyningen før du foretar noe vedlikehold.*

Rengjør maskinbekledningen regelmessig med en myk klut, helst etter hver bruk. Sørg for at ventilasjonsåpningene er fri for støv og skitt. Fjern veldig utholdende skitt med en myk klut fuktet med såpeskum. Ikke bruk noen løsemidler som bensin, alkohol, ammoniakk osv. Slike kjemikalier vil skade de syntetiske komponentene.

## MILJØ



*Defekt og/eller kasserte elektriske eller elektroniske apparater må samles på passende resirkuleringsanlegg.*

**Gjelder kun i EU-landene.**

Elektriske værktøj må ikke kastes sammen med husholdningsaffald. I henhold til EU-direktiv 2012/19/EU for elektrisk og elektronisk affald, samt implementering af direktivet i national lovgivning, skal elektriske værktøj som ikke lenger kan bruges kastes separat og på en miljøvenlig måde.

**GARANTI**

Se vedlagte garantivilkår.

**SANDBLÆSER 130W**

Tak for, at du har købt dette Ferm produkt. Ved at gøre dette står du nu med et fantastisk produkt, leveret af en af Europas førende leverandører.

Alle de produkter, som leveres til dig af Ferm, er fremstillet i overensstemmelse med de højeste standarder inden for præstation og sikkerhed. Som en del af vores filosofi tilbyder vi en fremragende kundeservice, som bakkes op af vores omfattende garanti.

Vi håber, at du vil bruge dette produkt med glæde i mange år fremover.

**1. SIKKERHEDSADVARSLER****ADVARSEL**

**Læs de medfølgende sikkerhedsadvarsler, de supplerende sikkerhedsadvarsler og instruktionerne.** Såfremt sikkerhedsadvarsler og instruktioner ikke følges, kan dette medføre elektriske stød, brand og/eller alvorlige ulykker. **Gem alle sikkerhedsadvarsler og instruktioner til fremtidig reference.**

Følgende symboler anvendes i denne brugermanual eller på produktet:



Læs brugermanualen.



Risiko for personskader.



Risiko for elektrisk stød.



Fjern straks stikket fra vægstikkontakten, hvis strømkablet bliver beskadiget samt under rengøring og vedligeholdelse.



Brug beskyttelsesbriller. Brug høreværn.



Bær en støvmaske.



Dobbelt isolering.





Kassér ikke produktet i en forkert container.



Produktet overholder de gældende sikkerhedsstandarder i de europæiske direktiver.

## GENERELLE SIKKERHEDSFORSKRIFTER



### ADVARSEL!

Læs alle sikkerhedsadvarsler, instruktioner, illustrationer og

specifikationer, der følger med dette el-værktøj.

Hvis alle nedenstående instruktioner ikke følges, kan det resultere i elektrisk stød, brand og/eller alvorlige kvæstelser.

### Gem disse instruktioner.

Udtrykket "elektrisk maskine" i alle advarselerne nedenfor henviser til elektriske maskiner/værktøj/redskaber, der via en ledning tilkobles elnettet eller strømforsynes via batteri (accu).

### 1) Arbejdsområde

- Arbejdsområdet skal være rent og tilstrækkeligt belyst. Rodede og mørke arbejdsområder giver større risiko for ulykker.
- Brug ikke elektriske maskiner i eksplosive omgivelser, f.eks. i nærheden af brandfarlige væsker, gasser eller støv. Elektriske maskiner frembringer gnister, som kan antænde støv eller dampe.
- Hold børn og omkringstående på afstand, når der bruges elektriske maskiner. Hvis man distraheres, kan man miste kontrollen over den elektriske maskine.

### 2) Elektrisk sikkerhed

- Stik til elektriske maskiner skal passe til stikkontakten. Der må ikke foretages ændringer af stikket. Brug ikke snydepropper til jordede (jordforbundne) elektriske maskiner. Originale stik og tilsvarende kontakter mindsker risikoen for elektrisk stød.
- Undgå kropskontakt med jordede eller jordforbundne overflader som f.eks. rør, radiatorer, komfurer og køleskabe. Der er øget risiko for elektrisk stød, hvis kroppen er jordet eller jordforbundet.

- Elektriske maskiner må ikke udsættes for regn eller våde omgivelser. Hvis der kommer vand i den elektriske maskine, øges risikoen for elektrisk stød.
- Brug ikke ledningen forkert. Brug ikke ledningen til at bære eller trække maskinen og heller ikke for at tage ledningen ud af stikkontakten. Hold ledningen væk fra stærk varme, olie, skarpe kanter og bevægelige dele. Beskadigede eller filtrerede ledninger øger risikoen for elektrisk stød.
- Når en elektrisk maskine bruges udendørs, skal man bruge en forlængerledning, der er beregnet til udendørs brug. Hvis der bruges en forlængerledning, der er beregnet til udendørs brug, mindskes risikoen for elektrisk stød.
- Hvis det ikke kan undgås at bruge et maskinværktøj i et fugtigt miljø, bør du anvende en forsyning, der er beskyttet af en fejlstrømsafbryder (RCD). Brugen af en RCD reducerer risikoen for elektrisk stød.

### 3) Personlig sikkerhed

- Vær agtpågivende, hold øjnene rette mod det, du laver, og brug almindelig sund fornuft, når du bruger en elektrisk maskine. Brug ikke en elektrisk maskine, hvis du er træt eller er under påvirkning af narkotika, alkohol eller medicin. Et øjeblikvis uopmærksomhed under arbejdet med en elektrisk maskine kan resultere i alvorlig personskade.
- Brug personligt sikkerhedsudstyr. Brug altid beskyttelsesbriller. Sikkerhedsudstyr som støvmaske, skridsikre sko, hjelm eller høreværn, brugt når det er nødvendigt, mindsker risikoen for personskade.
- Undgå utilsigtet start. Sørg for, at der er slukket på afbryderen, før stikket sættes i stikkontakten. Hvis maskinværktøj bæres med fingeren på kontakten, eller når maskinværktøj strømføres med tændt kontakt, kan der nemt ske ulykker.
- Fjern justeringsnøgler og tænger, før der tændes for den elektriske maskine. En tang eller nøgle, der sidder på en roterende del af den elektriske maskine, kan resultere i personskade.
- Ræk ikke for langt ud. Stå sikkert på fødderne og vær altid i god balance. Det giver bedre kontrol over maskinen i uventede situationer.

- f) **Tag passende tøj på. Bær ikke løstsiddende tøj eller smykker. Hold hår, tøj og handsker væk fra bevægelige dele. Løstsiddende tøj, smykker eller langt hår kan blive grebet af bevægelige dele.**
- g) **Hvis der forefindes tilslutning til støvudsugning og –opsamling, skal man sørge for, at udstyret er tilsluttet og bruges. Brug disse muligheder for at mindske risikoen for støvrelaterede risici.**
- h) **Lad ikke kendskab opnået gennem hyppig brug af værktøj lade dig blive tilbagelænet og ignorere værktøjssikkerhedsprincipper. En skødesløs handling kan forårsage alvorlig personskade inden for en brøkdæl af et sekund.**
- 4) Brug og behandling af elektriske maskiner**
- a) **Brug ikke magt på den elektriske maskine. Brug kun den elektriske maskine til det, den er beregnet til. Den rette elektriske maskine gør arbejdet bedre og mere sikkert ved den effekt, der er foreskrevet.**
- b) **Brug ikke den elektriske maskine, hvis afbryderen ikke kan tænde og slukke. En elektrisk maskine, der ikke kan tændes og slukkes på afbryderen, er farlig og skal repareres.**
- c) **Tag stikket ud af stikkontakten før justering, udskiftning af tilbehør, og før den elektriske maskine gemmes væk. Sådanne forebyggende sikkerhedsforanstaltninger mindsker risikoen for, at den elektriske maskine starter ved et uheld.**
- d) **Elektriske maskiner, der ikke bruges, skal opbevares utilgængeligt for børn, og personer, der ikke har kendskab til den elektriske maskine eller disse instruktioner, må ikke bruge den elektriske maskine. Elektriske maskiner er farlige i hænderne på uøvede personer.**
- e) **Elektriske maskiner skal vedligeholdes. Check for forkert justering og fastsiddende bevægelige dele, defekte dele og andre ting, som kan påvirke den elektriske maskines korrekte funktion. Hvis den elektriske maskine er beskadiget, skal den repareres før brug. Mange ulykker skyldes, at elektriske maskiner er dårligt vedligeholdt.**
- f) **Skærende værktøj skal holdes skarpe og rene. Korrekt vedligeholdt skærende værktøj med skarpe skær kommer ikke så let til at sidde fast og er nemmere at styre.**
- g) **Brug den elektriske maskine, tilbehør, tool-bits osv. i henhold til disse instruktioner og på den måde, som denne specielle maskine er beregnet til, idet man skal tage hensyn til arbejdsforholdene og arbejdet, der skal udføres. Brug af den elektriske maskine til andet, end den er beregnet til, kan resultere i farlige situationer.**
- h) **Hold håndtag og gribeflader tørre, rene og fri fra olie og fedtstof. Glatte håndtag og gribeflader giver ikke mulighed for sikker håndtering og kontrol af værktøjet i uventede situationer.**
- 6) Service**
- a) **Få foretaget service på dit maskinværktøj af en kvalificeret reparatør, der kun bruger identiske udskiftningsdele. Dette sikrer, at maskinværktøjet fortsat er sikkert at bruge.**

### Yderligere sikkerhedsadvarsler for deltaslibere



Kontakt med eller inhalering af støv, der dannes under brug (f.eks. blymalede overflader, træ og metal) kan være skadelig for din og eventuelle tilskuers sundhed. Bær altid korrekt beskyttelsesudstyr, såsom en støvmaske. Sørg altid for korrekt støvfugning under brug.

- Arbejd ikke med materialer, som indeholder asbest. Asbest anses for at være kræftfremkaldende.
- Brug aldrig maskinen til at slibe arbejdsemner af magnesium.
- Brug beskyttelsesbriller. Brug høreværn. Anvend om nødvendigt andre beskyttelsesanordninger såsom sikkerhedshandsker, sikkerhedssko etc.
- Hold maskinen på de isolerede grebsflader, hvis tilbehøret kan få kontakt med skjulte strømførende ledninger eller maskinens eget kabel. Hvis tilbehøret får kontakt med en 'strømførende ledning', vil maskinens metaldele også være strømførende. Risiko for elektrisk stød.
- Vær meget forsigtig, når malede overflader slibes.
- Før anvendelse, fjern alle søm og andre metalgenstande fra arbejdsemnet.
- Sørg for, at arbejdsemnet er monteret korrekt og fastspændt.

- Brug kun sandpapir, som er passende til brug med maskinen.
- Brug kun sandpapir med de rigtige mål. Kontroller, at sandpapiret er korrekt monteret.
- Undersøg sandpapiret før hver brug. Anvend ikke sandpapir, som er slidt på grund af langvarig brug.
- Sæt aldrig maskinen fra dig på et bord eller en arbejdsbænk, før den er slukket.

### Elektrisk sikkerhed



Kontroller altid, at strømforsyningsens spænding svarer til spændingen på typeskiltet.

- Brug ikke maskinen, hvis strømkablet eller stikket er beskadiget.
- Hvis det er nødvendigt at udskifte forsyningsledningen, skal dette udføres af producenten eller dennes agent for at undgå en sikkerhedsfare.
- Brug kun forlængerledninger, der passer til maskinens spænding og som har en minimumtykkelse på 1,5 mm<sup>2</sup>. Hvis du anvender en kabeltromle, skal kablet altid rulles helt ud.

### Tekniske data

<b>Model No.</b>	<b>PSM1035</b>
Netspænding	230 V~
Netfrekvens	50 Hz
Indgangseffekt	130 W
Omdrejningstal ubelastet	14.000 min <sup>-1</sup>
Vægt	0,68 kg

### STØJ OG VIBRATIONER

Lydtryk ( $L_{pA}$ )	76 + 3 dB(A)
Akustisk lydeffekt ( $L_{wA}$ )	87 + 3 dB(A)
Vibration	3,017 + 1,5 m/s <sup>2</sup>



Brug høreværn.

### Vibrationsniveau

Det vibrationsniveau, der er anført bag på denne betjeningsvejledning er målt i henhold til den standardiserede test som anført i EN 62841-1, EN 62841-2-4; den kan benyttes til at sammenligne to stykker værktøj og som en foreløbig bedømmelse af udsættelsen for vibrationer, når værktøjet anvendes til de nævnte formål:

- vibrationsemissionen under den reelle brug af el-værktøjet kan afvige fra den erklærede samlede værdi afhængigt af de måder, værktøjet bruges på; og
- behovet for at identificere sikkerhedsforanstaltninger for at beskytte operatøren, der er baseret på den estimerede eksponering under de reelle brugsbetingelser (hvor der tages hensyn til alle dele af driftscyklussen, f.eks. de tidspunkter, hvor værktøjet er slukket, og når det kører inaktivt ud over udløsertiden).

Beskyt dig selv imod virkningerne af vibrationer ved at vedligeholde værktøjet og dets tilbehør, ved at holde dine hænder varme og ved at organisere dine arbejdsmønstre

## 2. BESKRIVELSE (FIG. A)

### Tilsluttet brug

Maskinen er beregnet til at slibe træ, plast eller metal. Denne maskine er kun velegnet til tørslibning. Maskinen er ikke velegnet til behandling af genstande, der indeholder asbest. Forkert brug kan beskadige værktøjet.

Tallene i teksten henviser til diagrammerne på side 2.

1. Tænd/sluk-kontakt
2. Håndtag
3. Støvboks
4. Slibesål
5. Slibepapir
6. Sprække

## 3. MONTERING



Inden montering, skal maskinen altid slukkes, og netstikket skal tages ud af stikkontakten.

### Tilslutning af støvkassen (fig. B)

Det anbefales kraftigt at bruge maskinen med støvkassen (3) for at sikre en optimal støvopsamling.

- Skub sprækket i støvkassen over hakket på den bageste støvudsugning.

- For at sikre at støvboksen sidder godt fast, skal du skubbe støvboksen ind, indtil der kan høres en kliklyd.

*Bemærk:* Støvkassen bør tømmes, når kassen er halvt fuld, for at bevare en optimal støvsopsamling.

#### Montering og fjernelse af slibepapir (fig. C)

- Hold maskinen på siden eller hovedet, som vist på fig. C1.
- Sæt slibepapir (5) med den påkrævede kornstørrelse på slibepuden (4). Sørg for, at perforeringen i slibepapiret (5) stemmer overens med perforeringen på slibepapiret (4), som vist på fig. C2.
- For at fjerne slibepapiret (5) skal du blot trække slibepapiret fra slibepuden (4).

*Bemærk:* Brug groft slibepapir til slibning af grove, ujævne overflader. Brug mellemgroft slibepapir til at fjerne de tilbageværende ridser efter groft slibepapir. Brug fint slibepapir til overfladebehandling.

#### Udskiftning af slibesålen (fig. D)

- Slidte slibesåler skal udskiftes.
- Fjern om nødvendigt sandpapiret.
- Løsn skruerne fra slibesålen (4).
- Fjern den gamle slibesål.
- Monter den nye slibesål.
- Stram skruerne på slibesålen (4).

## 4. ANVENDELSE

#### Tænding og slukning (fig. A)

- Tænd for maskinen ved at sætte tænd/sluk-kontakten (1) på position ,I'.
- Sluk for maskinen ved at sætte tænd/sluk-kontakten (1) på position ,0'.

#### Tips for optimal anvendelse

- Hold fast i maskinen med håndtaget.
- Tænd maskinen.
- Anbring slibesålen med sandpapiret direkte på arbejdsemnet.
- Bevæg langsomt maskinen over arbejdsemnet, mens du presser slibesålen mod arbejdsemnet.
- Læg ikke for meget pres på maskinen. Lad maskinen gøre arbejdet.

## 5. VEDLIGEHOLDELSE



*Afbryd altid maskinen fra netforsyningen, inden der udføres vedligeholdelsesarbejde.*

Rengjør maskinbekledningen regelmæssig med en myk klud, helst efter hver brug. Sørg for at ventilationsåpningene er fri for støv og skitt. Fjern veldig utholdende skitt med en myk klud fuktet med såpeskum. Ikke bruk noen løsemidler som bensin, alkohol, ammoniakk osv. Slike kjemikalier vil skade de syntetiske komponentene.

## MILJØ



*Defekt og/eller kasserte elektriske eller elektroniske apparater må samles på passende resirkuleringsanlegg.*

#### Kun for EU-lande

Smid ikke el-værktøjer ud sammen med almindeligt affald. I henhold til de europæiske direktiver 2012/19/EU for elektrisk og elektronisk udstyr og er implementeret i henhold til nationale rettigheder, el-værktøj som ikke længere er anvendelig skal indsamles separat og genbruges på en miljøvenlig måde.

## GARANTI

Se de medfølgende garantibetingelser.

## ALKATRÉSZ-CSISZOLÓGÉP 130W

Köszönjük, hogy ezen Ferm terméket választotta. Európa egyik vezető beszállítójának, kiváló termékét tartja a kezében.

A Ferm által szállított termékek a legmagasabb teljesítményi és biztonsági szabványok alapján kerülnek legyártásra. Filozófiánk részeként kiváló ügyfélszolgálatot, továbbá átfogó garanciát kínálunk termékeinkhez.

Reméljük, az elkövetkezendő években örömmel fogja használni a készüléket.



A terméket ne tárolja nem megfelelő tárolóban.



A termék megfelel az európai biztonsági szabványoknak.

## ÁLTALÁNOS BIZTONSÁGI SZABÁLYOK



### FIGYELMEZTETÉS!

**Ismerje meg a szerszámgéphez kapott minden figyelmeztetést, utasítást, ábrát és műszaki adatot.** Az alább felsorolt utasítások be nem tartása esetén áramütés, tűz vagy akár súlyos sérülés is bekövetkezhet.

### Tartsa meg az utasításokat!

Az alábbi figyelmeztetésekből szereplő "szerszámgép" elnevezés minden, az Ön által hálózatról működtetett (vezetékes) vagy akkumulátoros (vezeték nélküli) szerszámgépre vonatkozik.

#### 1) Munkaterület

- A munkaterület legyen tiszta és jól megvilágított.** A zsúfolt és sötét helyek növelik a balesetek kockázatát.
- Ne működtessen szerszámgépet robbanásveszélyes környezetben, azaz gyúlékony folyadékok, gázok vagy por közelében.** A szerszámgépek működése során szikrák keletkeznek, ami meggyújthatja a gőzöket vagy port.
- A szerszámgép működtetése során tartsa távol a gyermekeket és más személyeket.** Figyelmének megosztása balesethez vezethet.

#### 2) Elektromos biztonság

- A szerszámgéphez megfelelő csatlakozóaljzatot kell használni. Soha ne módosítsa a hálózati csatlakozót semmilyen módon. Ne használjon csatlakozó-adaptert a földelt szerszámgépekkel.** A módosítatlan csatlakozók és megfelelő csatlakozóaljzatok csökkentik az áramütés kockázatát.
- Kerülje teste érintkezését földelt tárgyakkal, például csövekkel, radiátorokkal, tűzhelyekkel és hűtőszekrényekkel.** Az áramütés kockázata nagyobb, ha teste földelve van, vagy földelt tárggyal érintkezik.

## 1. BIZTONSÁGI FIGYELMEZTETÉSEK



### FIGYELEM

**Olvassa el a csatolt biztonsági figyelmeztetéseket, a kiegészítő biztonsági figyelmeztetéseket és az utasításokat.** A biztonsági figyelmeztetések és utasítások be nem tartása áramütést, tüzet és/vagy komoly sérüléseket okozhat. **Tartsa meg a biztonsági figyelmeztetéseket és az utasításokat, a jövőben még szüksége lehet rá.**

A következő szimbólumok használatosak a kézikönyvben vagy a terméken:



Olvassa el a felhasználói kézikönyvet.



Személyi sérülés kockázata.



Áramütés kockázata.



Azonnal húzza ki a kábelt az elektromos hálózatról, ha a kábel megsérül, illetve tisztítás és karbantartás esetén.



Viseljen szemvédőt. Viseljen fülvédőt.



Viseljen légzésvédőt.



Kétszeresen szigetelt.

- c) **Ne tegye ki a szerszámgepeket esőnek vagy nedves környezetnek.** A szerszámgépbe kerülő víz növeli az áramütés kockázatát.
- d) **Ne terhelje a vezetékét. Soha ne használja a vezetékét a szerszámgép hordozására, húzására, vagy a csatlakozó kihúzására az aljzatból. Óvja a vezetékét a hőtől, olajtól, éles szélektől és mozgó alkatrészekről.** A sérült vagy összegubancolódott vezetékek növelik az áramütés kockázatát.
- e) **Ha a szabadban használja a szerszámgépet, használjon kültéri használatnak megfelelő hosszabbítót.** A kültéri használatnak megfelelő hosszabbító használata csökkenti az áramütés kockázatát.
- f) **Ha az elektromos szerszámot mindenképp nedves/párás környezetben kell használni, mert ezt nem lehet megelőzni, akkor használjon FI relét.** Az FI relé használata csökkenti az elektromos áramütés kockázatát.
- 3) Személyi biztonság**
- a) **Legyen figyelmes, ügyeljen a munkára és használja józan esztét a szerszámgép működtetése során. Ne használja a szerszámgépet, ha fáradt vagy drogok, alkohol illetve gyógyszerek hatása alatt van.** Egy pillanatnyi figyelmetlenség a szerszámgép használata során súlyos sérüléseket okozhat.
- b) **Viseljen személyes védőfelszerelést. Mindig viseljen szemvédőt.** A feltételeknek megfelelő védőfelszerelés, pl. pormaszk, csúszásgátló biztonsági cipő, sisak, vagy hallásvédő használata csökkenti a személyi sérülések kockázatát.
- c) **Előzze meg az akaratlan, véletlen elindítást! a csatlakoztatás előtt ellenőrizze, hogy a kapcsoló "ki" állásban legyen.** Ha az ujját a szállított elektromos szerszám kapcsolóján tartja, ill. ha a szállított elektromos szerszám kapcsolója bekapcsolt állapotban van, akkor azzal könnyen balesetet okozhat.
- d) **Távolítson el minden beállító kulcsot és csavarkulcsot a szerszámgép bekapcsolása előtt.** A szerszámgép forgó alkatrészeiben maradt kulcs vagy csavarkulcs személyi sérülést okozhat.
- e) **Ne nyújtózkodjon. Mindig őrizze meg szilárd pozícióját és egyensúlyát.** Ez váratlan helyzetekben is megkönnyíti a szerszámgép irányítását.
- f) **Öltözzön megfelelően. Ne viseljen laza ruhát vagy ékszereket. Tartsa haját, kesztyűjét és ruházatát távol a mozgó alkatrészekről.** A laza ruházat, haj, vagy ékszerek beakadhatnak a mozgó részek közé.
- g) **Ha a készülék rendelkezik csatlakozással porszívó és -gyűjtő eszközök csatlakoztatásához, ügyeljen ezek megfelelő csatlakoztatására és használatára.** E készülékek használata csökkenti a por okozta kockázatokat.
- h) **Ne engedje, hogy a szerszámok gyakori használata során szerzett tapasztalatai túlzott biztonságérzetet keltsenek Önben, és amiatt elhanyagolja a biztonsági alapelveket.** Gondatlan cselekvés már a másodperc töredéke alatt is súlyos sérülést okozhat.
- 4) A szerszámgép használata és karbantartása**
- a) **Ne erőltesse a szerszámgépet. Használjon az alkalmazásnak megfelelő szerszámgépet.** A megfelelő szerszámgép biztonságosabban és jobban működik, ha a rendeltetésének megfelelő sebességen használja.
- b) **Ne használja a szerszámgépet, ha a kapcsolója nem működik.** Ha a szerszámgép nem vezérelhető a kapcsolóval, veszélyes, és meg kell javítani.
- c) **Mindig húzza ki a csatlakozót a csatlakozóaljzattól beállítások, tartozékcseré vagy a szerszámgép tárolása előtt.** Ez a megelőző biztonsági intézkedés megelőzi a készülék véletlen bekapcsolását.
- d) **Tartsa a szerszámgépet gyermekektől elzárva és ne engedje, hogy a szerszámgép kezelésében járatlan, vagy az ezeket az utasításokat nem ismerő személyek működtessék a szerszámgépet.** A gyakorlatlan felhasználó kezében a szerszámgépek veszélyesek.
- e) **Tartsa karban a szerszámgepeket.** Ellenőrizze, nem mozdultak-e el, vagy nem akadnak-e a mozgó alkatrészek, nincsenek-e törött alkatrészek, vagy más, a gép működését befolyásoló tényezők. Javíttassa meg a szerszámgépet, ha az károsodott, mielőtt újra használná. Számos balesetet a rosszul karbantartott szerszámgépek okoznak.
- f) **Tartsa tisztán és élesen a vágóeszközöket.** A megfelelően karbantartott, éles



vágóeszközök kisebb eséllyel akadnak meg, és könnyebben irányíthatók.

- g) **Használja a szerszámgépet, tartozékokat, szászámfejeket, stb., ezen utasításoknak megfelelően és az adott szerszámgép típusának megfelelően, figyelembe véve a munkakörülményeket és az elvégzendő munkát.** A szerszámgépek rendeltetésüktől eltérő használata kockázatos helyzetekhez vezethet.
- h) **Tartsa a fogantyúkat és egyéb markolási felületeket szárazon, tisztán, olajtól és zsírtól mentesen.** Váratlan helyzetekben a csúszós fogantyúk és egyéb markolási felületek akadályozzák a szerszám biztonságos kezelését és irányítását.

**6) Szerviz**

- a) **Elektromos szerszámát kizárólag szakemberrel javítsa, a javításhoz csak identikus cserealkatrészeket használjanak.** Az elektromos szerszám biztonságát csak így garantálhatja.

**Kiegészítő biztonsági figyelmeztetések delta csiszolókhöz**



A például olomtartalmú festékekkel bevont felületeken, fa és fém felületeken történő használat közben felszabaduló porral való érintkezés vagy annak belégzése veszélyeztetheti az Ön és a közelben tartózkodók egészségét. Mindig viseljen megfelelő védőfelszerelést, például porvédő maszkot. Használat közben mindig alkalmazzon megfelelő porszívást.

- Ne dolgozzon azbesztet tartalmazó anyagokkal. Az azbeszt rákkeltő anyag.
- Ne használja a készüléket magnézium tartalmú munkadarabok csiszolására.
- Viseljen védőszemüveget. Viseljen fülvédőt. Szükség esetén használjon egyéb védőeszközöket, pl. védőkesztyűt, biztonsági lábbelit stb.
- A készüléket a szigetelt markolatfelületek segítségével tartsa, ha a tartozék rejtett vezetékhez vagy a fő tápvezetékhez hozzáérhet. Ha a tartozék „élő” vezetékhez ér, a készülék érintett alkatrészei szintén áram alá kerülhetnek. Áramütés kockázata.
- Legyen körültekintő festett felületek csiszolásakor.

- Használat előtt távolítsa el minden szöveget és egyéb fémtárgyat a munkadarabból.
- Ügyeljen, hogy a munkadarab megfelelően legyen alátámasztva vagy rögzítve.
- Csak a készülék használatához megfelelő csiszolópapírt használjon.
- Csak megfelelő méretű csiszolópapírt használjon. Ügyeljen, hogy a csiszolópapír megfelelően legyen felhelyezve.
- Használat előtt mindig ellenőrizze a csiszolópapírt. Ne használjon a hosszú ideje tartó használatból elkopott csiszolópapírt.
- Kikapcsolás előtt soha ne tegye le a készüléket asztalra vagy munkapadra.

**Elektromos biztonság**



Mindig ellenőrizze, hogy az áramforrás feszültsége megegyezik-e a géptörzslapon feltüntetett feszültséggel.

- Soha nem használja a készüléket, ha a kábel vagy a csatlakozó sérült.
- Amennyiben a hálózati zsinórt cserélni szükséges, azt a biztonsági kockázatok megelőzése céljából csak a gyártó vagy az általa megbízott szerelő végezheti el.
- Csak olyan hosszabbítót használjon, mely megfelel a készülék névleges teljesítményének, továbbá minimális vastagsága 1,5 mm2. Ha feltekerhető hosszabbítót használ, a kábelt mindig teljesen tekerje le.

**Műszaki adatok**

<b>Model No.</b>	<b>PSM1035</b>
Hálózati feszültség	230 V~
Hálózati frekvencia	50 Hz
Teljesítményfelvétel	130 W
Terhelés nélküli sebesség	14.000 min-1
Tömeg	0,68 kg

**ZAJ ÉS REZGÉS**

Hangnyomás (L <sub>pa</sub> )	76 + 3 dB(A)
Hangteljesítmény (L <sub>wa</sub> )	87 + 3 dB(A)
Rezgés	3,017 + 1,5 m/s2



Viseljen fülvédőt.

**Rezgésszint**

Az ezen felhasználói kézikönyv végén megadott rezgés-kibocsátási szint mérése az EN 62841-1, EN 62841-2-4 szabványban meghatározott



szabványosított teszttel összhangban történt; ez egy eszközhöz egy másik eszközzel történő összehasonlítására, illetve a rezgésnek való kitettség előzetes felmérésére használható fel az eszközhöz az említett alkalmazásokra történő felhasználása során:

- az elektromos szerszám használata közben jellemző rezgés kibocsátás a szerszám használati módjától függően eltérhet a feltüntetett összértéktől; és
- a gépkezelő védelme érdekében olyan biztonsági intézkedéseket kell meghatározni, amelyek az aktuális felhasználási körülményekben jellemző expozíció előzetes becsülésén alapulnak (figyelembe véve a működési ciklus valamennyi részét, tehát a szerszám aktív működtetésén kívül a kikapcsolt állapotban és az üresjáratú állapotban tartott alkalmakat is).

Az eszköz és tartozékai karbantartásával, kezének melegen tartásával, és munkavégzésének megszerzésével védje meg magát a rezgések hatásaitól

## 2. LEÍRÁS (A. ÁBRA)

### Rendeltetése

A gépet fa, műanyag és fém csiszolására terveztük. Ez a gép csak száraz csiszolásra alkalmas. A gép nem alkalmas azbeszttartalmú anyagok megmunkálására. A nem rendeltetésszerű használat károsíthatja a szerszámot.

A szövegbeli számok a 2. oldal képeire utalnak.

1. Be/ki kapcsoló
2. Markolat
3. Porgyújtó
4. Csiszolólap
5. Csiszolópapír
6. Nyílás

## 3. ÖSSZESZERELÉS



*Szerelés előtt mindig kapcsolja le a készüléket, és húzza ki a dugót a hálózathoz.*

### A porgyújtó csatlakoztatása (B ábra)

Erősen ajánlott a gépet a porgyújtóval (3) együtt használni, így biztosítva az optimális porgyújtást.

- Csúsztatassa a porgyújtón található nyílást a hátsó porelszívó kimeneten található horonyra.
- A porgyújtó biztonságos rögzítéséhez addig tolja a porgyújtót, amíg egy kattán hangot nem hall.

*Megjegyzés:* A porgyújtót akkor üritse, amikor a doboz félig megtelt, hogy a porgyújtás optimális maradjon.

### A csiszolópapír felhelyezése és eltávolítása (C ábra)

- Tartsa a gépet oldalra vagy fejjel lefelé, ahogy ez a C1 ábrán látható.
- Rögzítse a kívánt szemcseméretű csiszolópapírt (5) a csiszolótalpra (4). Ellenőrizze, hogy a csiszolópapír (5) perforációja megegyezik a csiszolótalp (4) perforációjával.
- A csiszolópapír (5) eltávolításához egyszerűen húzza le a csiszolópapírt a csiszolótalpról (4).

*Megjegyzés:* Durva, egyenetlen felületek csiszolásához használjon durva csiszolópapírt. A durva csiszolópapír után megmaradt karcolások eltávolításához használjon közepes csiszolópapírt. Végső felületkezeléshez használjon finom csiszolópapírt.

### A csiszolólap cseréje (E. ábra)

Ha kopás észlelhető, a csiszolólapot ki kell cserélni.

- Ha szükséges, távolítsa el a csiszolópapírt.
- Vegye le a csavarokat a csiszolólapról (4).
- Vegye le a régi csiszolólapot.
- Szerelje fel az új csiszolólapot.
- Helyezze vissza és húzza meg a csavarokat a csiszolólapon (4).

## 4. HASZNÁLAT

### Be/ki kapcsolás (A. ábra)

- A készülék bekapcsolásához állítsa a be/ki kapcsolót (1) ,I' állásba.
- A készülék kikapcsolásához állítsa a be/ki kapcsolót (1) ,0' állásba.

### Tanácsok az optimális használathoz

- Erősen tartsa meg a készüléket a markolattal.
- Kapcsolja be a készüléket.

- Helyezze a csiszolópapírral felszerelt csiszolólapot a munkadarabra.
- A készüléket lassan mozgassa a munkadarabon, közben a csiszolólapot erősen nyomja a munkadarabra.
- Na alkalmazzon túlzott nyomást a készüléken. Hagyja, hogy a készülék végezze el a feladatot.

## 5. KARBANTARTÁS



*Karbantartási munkák elvégzése előtt mindig válassza le a gépet a hálózati tápellátásról.*

A gép vázat rendszeresen, lehetőleg minden használat után törölje át puha ruhával. Ellenőrizze, hogy a szellőzőnyílásokat por, piszok ne tömje el. Makacs szennyeződésekhez használjon szappanos vízzel átitatott ruhát. Oldószert, gázolajat, alkoholt, ammóniát stb ne használjon. Ezek a vegyszerek kárt tesznek a szintetikus részekben.

## KÖRNYEZET



*A hibás vagy már feleslegessé vált elektromos, elektronikus készülékeket az ezzel foglalkozó begyűjtő helyeken kell leadni.*

### Csak az Európai Közösség országaiban

Az elektromos eszközöket ne dobja a háztartási hulladékok közé. Az 2012/19/EU Európai Irányelv - Elektromos és elektronikus berendezések hulladékai - és ennek nemzeti szabályozása alapján, azokat az elektromos eszközöket, melyek többé már nem használhatóak, külön kell összegyűjteni, és környezetbarát módon kell megszabadulni tőlük.

## GARANCIA

Tanulmányozza a garanciával kapcsolatos kifejezéseket.

## DETAILOVÁ BRUSKA 130W

Děkujeme Vám za zakoupení produktu firmy Ferm. Zakoupením jste získali jedinečný výrobek, který dodává jeden z hlavních evropských dodavatelů. Všechny produkty, které dodává firma Ferm, se vyrábí podle nejvyšších výkonnostních a bezpečnostních standardů. Součástí naší filozofie je i poskytování prvotřídního zákaznického servisu, který je zajištěn naší komplexní zárukou. Doufáme, že budete moci používat tento výrobek během mnoha příštích let.

## 1. BEZPEČNOSTNÍ VAROVÁNÍ



**Přečtěte si přiložená bezpečnostní varování, doplňkové bezpečnostní pokyny a pokyny k obsluze.**

*Nedodržení bezpečnostních varování a pokynů může způsobit elektrický šok, požár, nebo těžké poranění. **Uchovejte si bezpečnostní výstrahy a pokyny pro příští potřebu.***

Následující symboly byly použity v návodě k obsluze nebo na produktu:



*Přečtěte si návod k obsluze.*



*Riziko poranění.*



*Nebezpečí elektrického šoku.*



*Okamžitě vyberte napájecí zástrčku ze sítě, jestli se napájecí kabel poškodil a stejně tak během čištění a údržby.*



*Noste ochranné brýle.  
Noste pomůcky pro ochranu sluchu.*



*Nasadte si ochrannou masku.*



*Dvojnásobná izolace.*



*Výrobek nezhazujte do nevhodných kontejnerů.*

**CE** Výrobek je v souladu s příslušnými bezpečnostními standardy evropských směrnic.

## VŠEOBECNÉ BEZPEČNOSTÍ PŘEDPISY



### POZOR!

*Přečtěte si všechny bezpečnostní výstrahy, pokyny, ilustrace a technické údaje dodané s tímto elektrickým nářadím.*

*Nebudete-li dodržovat všechny níže uvedené pokyny, může dojít k úrazu elektrickým proudem, k vzniku požáru nebo k způsobení vážného zranění.*

### Tyto pokyny si siouschovejte.

*Výraz „nářadí“ v těchto pokynech značí jakékoliv elektrické nářadí, ať už je napájené ze sítě (nářadí s přívodní šňůrou) nebo z baterie (nářadí bez přívodní šňůry).*

#### 1) Pracovní prostor

- V pracovním prostoru udržujte pořádek a zajistěte si v něm dobré osvětlení.** *V nepořádku a přitímní dochází snadno k nehodám a úrazům.*
- S elektrickým nářadím nepracujte ve výbušném prostředí, jaké představují hořlavé kapaliny a plyny nebo prach.** *Elektrické nářadí jiskří, a proto se mohou výpary nebo prach vznítit.*
- Při práci s elektrickým nářadím udržujte děti a okolostojící osoby v dostatečné vzdálenosti.** *Pokud by vás někdo rozptyloval, snadno nad nářadím ztratíte kontrolu.*

#### 2) Elektrická bezpečnost

- Síťová zástrčka musí odpovídat zásuvce. Nikdy zástrčku nijak neupravujte. U zemněného nářadí nepoužívejte žádné upravované zástrčky.** *Pouze s neupravovanou zástrčkou a odpovídající zásuvkou může být nebezpečí úrazu elektrickým proudem minimální.*
- Dbejte, abyste se nedotýkali zemných povrchů, jako jsou potrubí, radiátory, sporáky nebo chladničky.** *Když máte tělo uzemněné, je nebezpečí úrazu elektrickým proudem větší.*
- Nevystavujte elektrické nářadí dešti ani vlhkosti.** *Vnikne-li do nářadí voda, nebezpečí úrazu elektrickým proudem se zvyšuje.*

- S přívodní šňůrou zacházejte šetrně a používejte ji pouze k jejímu účelu. Nikdy za ni nářadí nenoste ani nevěčte a nevytahujte za ni zástrčku ze zásuvky.** *Uchovávejte ji mimo dosah horka a mimo kontakt s oleji, ostrými hranami a pohyblivými díly.* *Poškozená nebo zapletená šňůra zvyšuje nebezpečí úrazu elektrickým proudem.*
- Při práci venku používejte prodlužovací kabel vhodný pro venkovní prostředí.** *Používáním kabelů vhodných pro venkovní prostředí se snižuje nebezpečí úrazu elektrickým proudem.*
- Musíte-li používat toto elektrické nářadí ve vlhkém prostředí, používejte v elektrickém obvodu proudový chránič (RCD).** *Použití proudového chrániče (RCD) snižuje riziko úrazu elektrickým proudem.*

#### 3) Osobní bezpečnost

- Udržujte stále pozornost, soustřeďte se na to, co děláte, a při práci s elektrickým nářadím se řiďte zdravým rozumem. Jste-li unaveni nebo pod vlivem drog, alkoholu nebo léků, s elektrickým nářadím nepracujte.** *Při práci s elektrickým nářadím stačí chvilku a nepozornost, aby došlo k vážnému úrazu.*
- Vždy používejte prvky osobní ochrany. Vždy noste vhodný prostředek ochrany zraku.** *Nošením odpovídajících bezpečnostních pomůcek a vybavení, jako je respirátor, neklouzavá obuv, tvrdý klobouk nebo prostředek ochrany sluchu, se nebezpečí úrazu snižuje.*
- Zabraňte náhodnému spuštění nářadí. Než nářadí zapojíte do sítě, přesvědčte se, že je vypínač ve vypnuté poloze. Přenášení elektrického nářadí s prstem na spouštěcím spínači nebo připojení elektrického nářadí k zdroji elektrické energie, je-li spouštěcí spínač v poloze zapnuto, zvyšuje pravděpodobnost vzniku nehod.**
- Než elektrické nářadí zapnete, sundejte z něj všechny seřizovací klíče a jiné nástroje.** *Necháte-li klíč nebo nástroj ve styku s rotačním dílem nástroje, může snadno dojít k úrazu.*
- Nikam se nenapřahujte. Udržujte si soustavně pevný postoj a rovnováhu.** *V neočekávaných situacích pak dokážete elektrické nářadí lépe kontrolovat.*
- Na práci se vhodně oblečte. Nenoste žádný volný oděv ani šperky. Vlasy, oblečením ani**

rukavicemi se nepřibližujte k pohyblivým součástem nářadí. Volný oděv, šperky a dlouhé vlasy by se mohly pohyblivými součástmi zachytit.

- g) Pokud je nářadí vybaveno tak, že k němu lze připojit zařízení na odsávání a odlučování prachu, dbejte, aby bylo připojeno a řádně používáno. Používáním takového zařízení se snižují rizika spojená s vířením prachu.
- h) Nedovolte, aby jistota získaná častým používáním nářadí vedla ke snížení vaší pozornosti a ignorování zásad bezpečné práce s nářadím. Neopatrný úkon může během zlomku sekundy způsobit vážné zranění.
- 4) Práce s elektrickým nářadím a péče o ně
- a) Na elektrické nářadí netlačte. Pro svůj účel zvolte vhodné nářadí. Správné nářadí vykoná práci lépe a bezpečněji rychlostí, na kterou je konstruováno.
- b) Jestliže vypínač nářadí nezapíná či nevypíná, nářadí nepoužívejte. Elektrické nářadí, které se nedá vypínačem ovládat, je nebezpečné a je třeba dát je opravit.
- c) Než začnete elektrické nářadí jakkoliv seřizovat, vyměňovat příslušenství nebo ukládat, odpojte jeho zástrčku od sítě. Tímto preventivním bezpečnostním opatřením snížíte riziko, že se nářadí bezděčně uvede do chodu.
- d) Pokud s nářadím nepracujete, uchovávejte je mimo dosah dětí. Osobám, které nejsou s obsluhou nářadí nebo s těmito pokyny seznámeny, nedovolte s ním pracovat. V rukou neškolené osoby je elektrické nářadí nebezpečné.
- e) Věnujte elektrickému nářadí potřebnou údržbu. Kontrolujte, zda je na nářadí všechno správně seřizeno a utaženo, pohyblivé části nedrout, žádná součást není zlomena nebo nářadí není ani jinak ve stavu, který by mohl narušit jeho správný chod. Pokud je elektrické nářadí poškozeno, je třeba dát je před použitím opravit. Nedostatečně udržované nářadí již způsobilo četné úrazy.
- f) Řezné nářadí udržujte ostré a čisté. Řádně udržované řezné nářadí s nabroušeným ostřím se tak snadno nezadrže a snáze se ovládá.

- g) Elektrické nářadí, příslušenství, vrtáky atd. používejte v souladu s těmito pokyny, a to způsobem a pro účel, pro který je nářadí konstruováno. Přítom berte v úvahu pracovní podmínky a práci, kterou chcete vykonat. Používáním elektrického nářadí na činnosti, na které není konstruováno, se můžete snadno dostat do nebezpečné situace.
- h) Dbejte na to, aby byly rukojeti a úchopné povrchy suché, čisté a zbavené olejů a maziv. Kluzké rukojeti a úchopné povrchy neumožňují bezpečnou manipulaci a ovládání nářadí v neočekávaných situacích.

## 6) Servis

- a) Svěřte opravu vašeho elektrického nářadí pouze osobě s příslušnou kvalifikací, která bude používat výhradně originální náhradní díly. Tím zajistíte bezpečný provoz tohoto elektrického nářadí.

## Doplňkové bezpečnostní varování pro delta brusky



Kontakt s prachem nebo vdechování prachu poletujícího během práce (např. povrchy s olovnatým nátěrem, dřevo a kov) může ohrozit vaše zdraví nebo zdraví kolemstojících osob. Vždy používejte ochranné prostředky, např. masku proti prachu. Během práce vždy používejte dostatečně účinné odsávání prachu.

- Nepracujte s materiály, které obsahují azbest. Azbest se považuje za karcinogenní látku.
- Bruska se nesmí používat na broušení předmětů z hořčíku.
- Používejte ochranné brýle. Používejte pomůcky pro ochranu sluchu. V případě potřeby použijte další ochranné pomůcky, jako jsou pracovní rukavice, bezpečnostní obuv atd.
- Pokud by příslušenství přišlo do kontaktu se skrytou kabeláží nebo elektrickým vedením, držte zařízení za izolované uchopovací plochy. Jestli příslušenství přijde do kontaktu se „živým“ kabelem, neizolované kovové součásti stroje se mohou dostat pod napětí. Nebezpečí zasažení elektrickým proudem.
- Buďte velmi opatrní při broušení natřených povrchů.
- Před použitím odstraňte z obrobku všechny hřebíky a jiné kovové objekty.

- Zkontrolujte, zda je obrobek řádně podepřený nebo upevněný.
- Používejte pouze brusný papír, který je vhodný pro použití s tímto strojem.
- Používejte pouze brusný papír správných rozměrů. Dejte pozor na správnou montáž brusného papíru.
- Před použitím zkontrolujte brusný papír. Nepoužívejte brusný papír, který je opotřebovaný dlouhým používáním.
- Nikdy neodkládejte stroj na stůl nebo pracovní lavici, není-li vypnutý.

### Ochrana před elektrickým proudem



Vždy se přesvědčte, zda-li zdroj elektrického napětí odpovídá napětí na štítku.

- Stroj nepoužívejte, pokud je poškozený napájecí kabel nebo zástrčka.
- Je-li nutná výměna napájecího kabelu, musí být provedena výrobcem nebo jeho autorizovaným zástupcem, aby bylo zabráněno bezpečnostnímu riziku.
- Používejte jenom prodlužovací kabely vhodné pro jmenovitý výkon stroje s maximální tloušťkou 1,5 mm<sup>2</sup>. Pokud používáte prodlužovací cívku, kabel vždy odviňte.

### Technické údaje

<b>Model No.</b>	<b>PSM1035</b>
Síťové napětí	230 V~
Síťový kmitočet	50 Hz
Příkon	130 W
Otáčky naprázdno	14.000 min <sup>-1</sup>
Hmotnost	0,68 kg

### HLUK A VIBRACE

Akustický tlak ( $L_{pa}$ )	76 + 3 dB(A)
Akustický výkon ( $L_{wa}$ )	87 + 3 dB(A)
Vibrace	3,017 + 1,5 m/s <sup>2</sup>



Používejte pomůcky pro ochranu sluchu.

### Úroveň vibrací

Úroveň vibrací uvedená na zadní straně tohoto manuálu s pokyny byla měřena v souladu se standardizovaným testem podle EN 62841-1, EN 62841-2-4; je možné ji použít ke srovnání jednoho přístroje s druhým a jako předběžné posouzení vystavování se vibracím při používání přístroje k uvedeným aplikacím:

- emise vibrací během aktuálního používání elektrického nářadí se ovšem mohou lišit od deklarované celkové hodnoty v závislosti na způsobech používání tohoto nářadí, a
  - je nutné určit bezpečnostní opatření na ochranu obsluhy, která jsou založena na odhadu expozice v aktuálních podmínkách používání (s ohledem na všechny části pracovního cyklu, jako jsou doby, kdy je toto nářadí vypnuto a kdy je v chodu naprázdno).
- Chraňte se před následky vibrací tak, že budete dbát na údržbu přístroje a příslušenství, budete si udržovat teplé ruce a uspořádáte si své pracovní postupy

## 2. POPIS (OBR. A)

### Určené použití

Toto nářadí je určeno k broušení dřeva, plastů a kovů. Toto nářadí je vhodné pouze pro broušení za sucha. Toto nářadí není vhodné pro zpracování předmětů obsahujících azbest. Nesprávné použití může nářadí poškodit.

Čísla v následujícím textu odkazují na obrázky na straně 2.

1. Vypínač
2. Rukojeť
3. Zásobník na prach
4. Brusná podložka
5. Brusný papír
6. Tlačítko

## 3. SESTAVENÍ



Před sestavením stroj vždy vypněte a vytáhněte zástrčku ze síťové zásuvky.

### Připojení zásobníku na prach (obr. B)

Důrazně vám doporučujeme používat toto nářadí společně se zásobníkem na prach (3), který zajišťuje optimální zachytávání prachu.

- Nasuňte drážku v zásobníku na prach přes zářez na zadním výstupu prachu.
- Chcete-li zajistit, aby byl zásobník na prach bezpečně usazen, tlačte na tento zásobník, dokud neuslyšíte cvaknutí.

**Poznámka:** Zásobník na prach by měl být vyprázdněn, jakmile bude z poloviny zaplněn, aby bylo zajištěno optimální zachytávání prachu.

#### Nasazení a sejmutí brusného papíru (obr. C)

- Položte nářadí na boční část nebo jej otočte spodní stranou nahoru, jak je zobrazeno na obr. C1.
- Umístěte brusný papír (5) s požadovanou hrubostí na brusnou podložku (4). Ujistěte se, zda jsou otvory v brusném papíru (5) srovnány s otvory na brusné podložce (4), jak je zobrazeno na obr. C2.
- Chcete-li brusný papír (5) sejmut, jednoduše stáhněte brusný papír z brusné podložky (4).

**Poznámka:** K broušení drsných, nerovných povrchů používejte hrubý brusný papír. K odstranění zbývajících škrábanců po hrubém brusném papíru používejte brusný papír střední zrnitosti. Pro konečnou povrchovou úpravu používejte jemný brusný papír.

#### Výměna brusné podložky (obr. D)

Pokud je brusná podložka opotřebená, je nutné je vyměnit.

- V případě nutnosti vyberte brusný papír.
- Povolte šrouby na brusné podložce (4).
- Vyberte stávající brusnou podložku.
- Namontujte novou brusnou podložku.
- Utáhněte šrouby (10) na brusné podložce (4).

## 4. POUŽITÍ

#### Zapínání a vypínání (obr. A)

- Stroj zapnete uvedením vypínače (1) do polohy „I“.
- Stroj vypnete uvedením vypínače (1) do polohy „0“.

#### Užitečné rady pro práci s nářadím

- Stroj pevně uchopte za rukojeť.
- Zapněte stroj.
- K obrobku přiložte brusnou podložku s brusným papírem.
- Pomalu posouvajte stroj po obrobku s pevným přítlakem na brusnou podložku proti obrobku.
- Na stroj nepůsobte nadměrným tlakem. Nechejte stroj, aby sám vykonal práci.

## 5. ÚDRŽBA



*Před prováděním jakéhokoli úkonu údržby toto nářadí vždy odpojte od napájecího zdroje.*

Pravidelně čistěte kryt zařízení jemným hadříkem, ideálně po každém použití. Ujistěte se, zda nejsou větrací otvory zaneseny prachem nebo jinými nečistotami. Odolnější nečistoty odstraňte pomocí jemného hadříku navlhčeného v mýdlové pěně. Nepoužívejte žádná rozpouštědla, jako jsou benzín, líh, čpavek atd. Takové chemické látky mohou způsobit poškození dílů z umělé hmoty.

## OCHRANA ŽIVOTNÍHO PROSTŘEDÍ



*Poškozená a likvidovaná elektrická nebo elektronická zařízení musí být odevzdána ve sběrných dvorech, které jsou určeny pro tento účel.*

#### Pouze pro země EU

Nevyhazujte elektrická nářadí do běžného domácího odpadu. Podle evropské směrnice 2012/19/EU, týkající se likvidace elektrických a elektronických zařízení a její implementace do vnitrostátního práva, musí být nepoužívaná elektrická nářadí shromažďována odděleně a jejich likvidace musí být provedena tak, aby nedošlo k ohrožení životního prostředí.

## ZÁRUKA

Prostudujte si přiložené záruční podmínky.

## DETAILNÁ BRÚSKA 130W

Ďakujeme Vám za zakúpenie výrobku firmy Ferm. Zakúpením ste získali jedinečný výrobok, ktorý dodáva jeden z hlavných európskych dodávateľov. Všetky výrobky, ktoré dodáva firma Ferm, sa vyrábajú podľa najvyšších výkonnostných a bezpečnostných štandardov. Súčasťou našej filozofie je takisto poskytovanie vynikajúceho zákazníckeho servisu, ktorý je zaistený našou komplexnou zárukou. Dúfame, že budete môcť využívať tento výrobok počas mnohých nasledujúcich rokov.

### 1. BEZPEČNOSTNÉ VAROVANIA



**Prečítajte si priložené bezpečnostné varovania, doplnkové bezpečnostné pokyny a pokyny na obsluhu.**

Nedodržanie bezpečnostných varovaní a pokynov môže spôsobiť elektrický šok, požiar, prípadne ťažké poranenie. **Odložte si bezpečnostné varovania a pokyny pre budúcu potrebu.**

Nasledujúce symboly boli použité v návode na obsluhu alebo na výrobku.



Prečítajte si návod na obsluhu.



Riziko poranenia.



Riziko elektrického šoku.



**Ihneď vyberte napájaciu zástrčku zo siete, ak sa napájací kábel poškodil a takisto počas čistenia a údržby.**



Nasadte si ochranné okuliare. Používajte ochranu sluchu.



Nasadte si ochrannú masku proti prachu.



Dvojitá izolácia.



Výrobok zahodte do vhodného kontajnera.



Výrobok je v súlade s príslušnými bezpečnostnými štandardmi európskych smerníc.

## VŠEOBECNÉ BEZPEČNOSTNÉ POKYNY PRE ELEKTRICKÉ NÁRADIE



### UPOZORNENIE!

**Preštudujte si všetky bezpečnostné varovania, pokyny, obrázky a špecifikácie dodávané s týmto elektrickým náradím.** Nedodržanie všetkých pokynov môže mať za následok zásah elektrickým prúdom, vznik požiaru a/alebo vážnu ujmu na zdraví.

**Ušetríte všetky varovania a pokyny pre budúce použitie.**

Termín elektrické náradie vo všetkých upozorneniach odkazuje na vaše náradie napájané zo siete (s prívodným káblom) alebo náradie napájané batériou-ovládané (bez napájacieho kábla)

### 1) Bezpečnosť v pracovnom priestore

- Udržujte pracovný priestor v čistote a dobre osvetlené.** Neporiadok alebo neosvetlené pracovné oblasti spôsobuje nehody.
- Nepracujte s elektrickým náradím vo výbušnom prostredí, napríklad v prítomnosti horľavých kvapalín, plynov alebo prachu.** Náradie je zdrojom iskrenia, ktoré môže zapáliť prach alebo výpary.
- Udržujte deti a osoby v bezpečnej vzdialenosti pri práci s elektrickým náradím.** Rozptyľovanie môže spôsobiť stratu kontroly nad náradím

### 2) Elektrická bezpečnosť

- Zástrčky elektrického náradia musí pasovať so zásuvkou. Nikdy zástrčku neupravujte žiadnym spôsobom.** Nepoužívajte rozvodnej zástrčky s uzemneným (ukostreným) elektrickým náradím. Neupravované zástrčky a zodpovedajúce zásuvky znižujú riziko vzniku úrazu elektrickým prúdom.
- Vyhnete sa kontaktu tela s uzemnenými povrchmi, ako sú napríklad potrubia, radiátory, sporáky a chladničky.** Existuje zvýšené riziko úrazu elektrickým prúdom, ak Vaše telo je uzemnené alebo ukostrené.
- Nevystavujte elektrické náradie dažďu alebo vlhkom prostredí.** Vniknutiu vody



do elektrického náradia zvyšuje riziko úrazu elektrickým prúdom.

- d) **Nezneužívali kábel. Nikdy nepoužívajte kábel na prenášanie náradia, ťahanie alebo odpojovanie elektrického náradia. Chráňte kábel pred teplom, olejom, ostrými hranami alebo pohyblivými časťami.** Poškodené alebo spletené káble zvyšujú riziko úrazu elektrickým prúdom.
- e) **Pri práci s elektrickým náradím vo vonkajšom prostredí, používajte predlžovací kábel vhodný na vonkajšie použitie.** Použitie kábel vhodného vo vonkajšom znižuje riziko úrazu elektrickým prúdom.
- f) **V prípade, že prácu s elektrickým náradím vo vlhkom prostredí nevyhnutné, použite chránené prúdový chránič dodávky.** Použitie prúdového chrániča znižuje riziko úrazu elektrickým prúdom.

### 3) Osobnú bezpečnosť

- a) **Buďte pozorní, sledujte čo robíte a používajte zdravý rozum pri práci s náradím.** Nepoužívajte elektrické náradie, ak ste unavený alebo pod vplyvom drog, alkoholu alebo liekov. Chvilku nepozornosti pri práci s elektrickým náradím môže viesť k vážnemu zraneniu.
- b) **Používate osobné ochranné prostriedky. Vždy používajte ochranu očí.** Ochranné pomôcky, ako sú prachovou masku, neklzáva bezpečnostná obuv, pevná prilba alebo ochrana sluchu používané v príslušných podmienkach, znižujú riziko osobna poranenia.
- c) **Zabránilo náhodnému spusteniu. Uistite sa, že spínač je vo vypnutej polohe pred pripojením k zdroju napájania a/alebo batérie, zdvihnutím alebo prenášaním náradia.** Prenášanie elektrického náradia s prstom na vypínači alebo pripojený napájaci náradia spôsobuje nehody.
- d) **Pred zapnutím spínač odstráňte nastavovacie nástroje alebo skrutkovač.** Francúzsky kľúč alebo kľúč, ktorý ponecháte pripavený k otáčajúcej časti elektrického náradia môže spôsobiť osobna zranenie.
- e) **Nepreceňujte sa. Udržiavajte stabilný postoj a rovnováhu po celú dobu.** To umožňuje lepšiu ovládateľnosť elektrického náradia v neočakávaných situáciách.
- f) **Obliekajte správne. Nenoste voľné oblečenie alebo šperky. Udržujte svoje**

**vlasy, oblečenie a rukavice mimo dosahu pohyblivých častí.** Voľné odevy, šperky alebo dlhé vlasy môžu byť zachytené v pohyblivých častiach.

- g) **Pokiaľ je zariadenie vybavené na pripojenie odsávania prachu a zberných zariadení, zaistíte jeho správne pripojenie a riadnu funkciu.** Použitie odsávania prachu môže znížiť riziká spojené s prachom.
  - h) **Nedovoľte, aby vám skúsenosti získané z častého používania nástroja dodali sebavedomie a začali ste ignorovať princípy bezpečnosti nástroja.** *Neopatrná činnosť môže spôsobiť vážne zranenie v rámci zlomku sekundy.*
- ### 4) Používanie a starostlivosť elektrického náradia
- a) **Nenúťte elektrické náradie. Používajte správny typ náradia pre vašu aplikáciu.** Správne elektrické náradie budu pracovať lepšie a bezpečnejšie rýchlosťou, pre ktorú bol navrhnutý.
  - b) **Nepoužívajte elektrické náradie, ak spínač nie zapnú a vypnú elektrické náradie.** Každé elektrické náradie, ktoré nie sú možné ovládať spínačom, sú nebezpečné a musí byť opravené.
  - c) **Pred nastavením, výmenou príslušenstva alebo uskladnením elektrického náradia odpojte zástrčku od zdroja energie a batéria od elektrického náradia.** Tieto preventívne bezpečnostné opatrenia znižujú riziko spustenia náradia náhodne.
  - d) **Uložte elektrické náradie mimo dosahu deti a nedovoľte ostatným osobám, ktoré nie sú oboznámené s elektrickým náradím alebo s týmto návodom, aby používal elektrické náradie.** Elektrické náradie sú nebezpečné v rukách nekvalifikovanej operátora.
  - e) **Udržujte elektrické náradie. Skontrolujte vychýlenie alebo zaseknutie pohyblivých častí, poškodenie jednotlivých dielov a iné okolnosti, ktoré môžu ovplyvniť prevádzku elektrického náradia. V prípade poškodenia, opravte elektrické náradie pred použitím.** Veľa nehôd je spôsobených nedostatočnou údržbou elektrické náradie.
  - f) **Udržujte rezné nástroje ostré a čisté.** Riadne udržiavané rezné nástroje s ostrými reznými hranami sú menej náchylné zviazať a sa ovládajú lepšie.

- g) **Používajte elektrické náradie, príslušenstvo a držiaky nástrojov v súlade s týmito pokynmi, s prihliadnutím na pracovné podmienky a prácu, ktorá bude vykonaná.**

Použitie elektrického náradia na iné účely, ako určené účely môže viesť k nebezpečným situáciám.

- h) **Rukoväte a úchytné povrchy uchovajte suché, čisté a bez olejov a mazadiel. Šmykľavé rukoväte a úchytné povrchy neumožňujú v neočakávaných situáciách bezpečnú manipuláciu a kontrolu nad nástrojom.**

## 6) Servis

- a) **Spýtajte kvalifikovaného opravára opraviť elektrické náradie iba pomocou originálnych náhradných dielov.** Tým bude zabezpečené, že zostane zachovaná bezpečnosť elektrického náradia.

## Doplnkové bezpečnostné varovania pre delta brúsky



*Kontakt alebo inhalácia prachu poletujúceho počas práce (napr. povrchy s olovnatým náterom, drevo a kov) môže ohroziť vaše zdravie alebo zdravie okolostojacich osôb. Vždy používajte ochranné prostriedky, napr. masku proti prachu. Počas práce vždy používajte príslušné odsávanie prachu.*

- Nevrtajte do materiálov obsahujúcich azbest. Azbest sa považuje za karcinogén.
- Nikdy stroj nepoužívajte na brúsenie predmetov z horčíka.
- Nasadte si ochranné okuliare. Používajte ochranu sluchu. Ak je potrebné použite iné ochranné pomôcky, ako sú pracovné rukavice, bezpečnostnú obuv atď.
- Keby príslušenstvo mohlo prísť do styku so skrytou kabelážou alebo elektrickým vedením, držte zariadenie za izolované uchopovacie plochy. Keď sa príslušenstvo dostane do kontaktu s káblom pod napätím, neizolované kovové časti stroja môžu byť pod napätím. Riziko elektrického šoku.
- Budte veľmi opatrní pri brúsení natrených povrchov.
- Pred použitím odstráňte z obrobku všetky klince a iné kovové objekty.
- Presvedčte sa, že objekt je dobre podoprený

alebo uchytený.

- Používajte len brúsny papier, ktorý je vhodný na použitie s týmto strojom.
- Používajte iba brúsny papier správnych rozmerov. Dajte pozor na správne namontovanie brúsneho papiera.
- Brúsny papier skontrolujte pred každým použitím. Nepoužívajte brúsny papier, ktorý je opotrebovaný dlhým používaním.
- Nikdy nedávajte stroj dolu na stôl alebo na pracovnú lavicu, ak nebol vypnutý.

## Ochrana pred elektrickým prúdom



*Vždy sa presvedčte, či zdroj elektrického napätia zodpovedá napätiu na štítku.*

- Stroj nepoužívajte, ak je poškodený napájací kábel alebo zástrčka.
- Ak je potrebná výmena napájacieho kábla, musí to vykonať výrobca alebo jeho zástupca, aby sa predišlo bezpečnostnému riziku.
- Používajte iba predĺžovacie káble, ktoré sú vhodné na menovitý výkon stroja s maximálnym prierezom 1,5 mm<sup>2</sup>. Ak používate predĺžovaciu cievku, vždy odviňte kábel.

## Technické údaje

<b>Model No.</b>	<b>PSM1035</b>
Napätie	230 V~
Frekvencia	50 Hz
Príkon	130 W
Otáčky naprázdno	14.000 min <sup>-1</sup>
Hmotnosť	0,68 kg
<b>HLUK A VIBRÁCIE</b>	
Akustický tlak ( $L_{pA}$ )	76 + 3 dB(A)
Akustický výkon ( $L_{wA}$ )	87 + 3 dB(A)
Vibrácie	3,017 + 1,5 m/s <sup>2</sup>



*Používajte ochranu sluchu.*

## Hladina vibrácií

Hladina emisií od vibrácií uvedená na zadnej strane tohto návodu na obsluhu bola nameraná v súlade s normalizovaným testom uvedeným v norme EN 62841-1, EN 62841-2-4; môže sa používať na vzájomné porovnávanie náradí a na predbežné posúdenie vystavenia účinkom vibrácií pri používaní náradia pre uvedené aplikácie:

- emisia vibrácií počas skutočného používania elektrického náradia sa môže odlišovať od deklarovanej celkovej hodnoty v závislosti od spôsobov, v ktorých sa náradie používa,
- musia sa určiť bezpečnostné opatrenia na ochranu operátora, ktoré vychádzajú z odhadu expozície v skutočných podmienkach používania (s ohľadom na všetky časti prevádzkového cyklu, ako napríklad časy, keď je náradie vypnuté a keď je v prevádzke na prázdne otáčky, okrem času spúšťania).

Chráňte sa pred účinkami vibrácií tak, že budete náradie a jeho príslušenstvo správne udržiavať, tak že nebudete pracovať so studenými rukami a tak že si svoje pracovné postupy správne zorganizujete

## 2. POPIS (OBR. A)

### Cielové použitie

Zariadenie je navrhnuté na brúsenie dreva, plastov a kovu. Toto zariadenie je vhodné len na suché brúsenie. Zariadenie nie je vhodné na spracovanie objektov obsahujúcich azbest. Nevhodné použitie môže náradie poškodiť.

Čísla uvedené v texte sa vzťahujú na obrázky na strane 2.

1. Vypínač
2. Držadlo
3. Nádoba na prach
4. Brúsna podložka
5. Brúsny papier
6. Tlačidlo

## 3. ZLOŽENIE



*Pred zložením vždy stroj vypnite a vytiahnite zástrčku z elektrickej siete.*

### Pripojenie nádoby na prach (Obr. B)

Dôrazne sa odporúča, aby sa zariadenie používalo s nádobou na prach (3), čím sa zaistí optimálny zber prachu.

- Posuňte štrbinu v nádobe na prach nad zárez na zadnom vývode prachu.

- Aby sa zaistilo, že bude nádoba na prach vložená bezpečne, potlačte nádobu na prach tak, aby sa ozvalo cvaknutie.

*Poznámka:* Na zachovanie optimálneho zberu prachu by sa nádoba na prach mala vysypať, keď je do polovice plná.

### Vloženie a odpojenie brúsneho papiera (Obr. C)

- Zariadenie podržte na bočnej strane alebo hore nohami podľa Obr. C1.
- Brúsny papier (5) s požadovanou zrnitosťou umiestnite na brúsnu podložku (5). Uistite sa, že perforácia v brúsnom papieri (5) zodpovedá perforácii brúsnej podložky (4).
- Ak chcete odpojiť brúsny papier (5), jednoducho vytiahnite brúsny papier z brúsnej podložky (4).

*Poznámka:* Na brúsenie drsných a nerovnomerných povrchov použite drsný brúsny papier. Na odstránenie zostávajúcich škrabancov od drsného brúsneho papiera použite stredne drsný brúsny papier. Na dosiahnutie konečného povrchu použite jemný brúsny papier.

### Výmena brúsnej podložky (obr. D)

Ak je brúsna podložka opotrebovaná, musí sa vymeniť.

- V prípade potreby vyberte brúsny papier.
- Povoľte skrutky na brúsnej podložke (4).
- Odstráňte starú brúsnu podložku.
- Namontujte novú brúsnu podložku.
- Dotiahnite skrutky na brúsnej podložke (4).

## 4. POUŽITIE

### Zapnutie a vypnutie (obr. A)

- Na zapnutie stroja prepnete vypínač (1) do polohy „1“.
- Na vypnutie stroja prepnete vypínač (1) do polohy „0“.

### Užitočné rady pre prácu s náradím

- Pevne uchopte stroj za držadlo.
- Zapnite stroj.
- Na obrobok priložte brúsnu podložku s brúsnym papierom.
- Pomaly posúvajte stroj po obrobku s pevným prítlakom na brúsnu podložku oproti obrobku.

- Nevyvíjajte nadmerný tlak na stroj.  
Nechajte, aby stroj sám vykonával prácu.

## 5. ÚDRŽBA



*Pred čistením a údržbou vždy vypnite zariadenie a zo zariadenia vyberte akumulátor.*

Puzdro zariadenia vyčistite jemnou tkaninou, podľa možnosti po každom použití. Uistite sa, že vetracie otvory neobsahujú prach a nečistoty. Odolné nečistoty odstráňte jemnou tkaninou navlhčenou v mydlovej vode. Nepoužívajte rozpúšťadlá ako benzín, alkohol, amoniak a pod. Takéto chemické látky poškodia syntetické komponenty.

## ŽIVOTNÉ PROSTREDIE



*Chybné alebo vyradené elektrické či elektronické zariadenia musia byť zberané v príslušných recyklačných zberniach.*

### Len pre krajiny ES

Elektrické náradie nelikvidujte ako súčasť komunálneho odpadu. Podľa Európskej smernice 2012/19/ES o vyradených elektrických a elektronických zariadeniach a jej implementácie do národného práva sa elektrické náradie, ktoré je viac nepoužiteľné, musí zberať ako separovaný odpad a likvidovať ekologickým spôsobom.

## ZÁRUKA

Pozrite si priložené záručné podmienky.

## BRUSILNIK DETAJLOV 130W

Hvala, ker ste kupili ta Fermov izdelek. S tem ste si zagotovili odličn izdelek, ki vam ga je dobavil eden vodilnih evropskih dobaviteljev. Vsi izdelki, ki vam jih dobavi Ferm, so izdelani po najvišjih standardih varnosti in učinkovitosti. Del naše filozofije je tudi odlična podpora strankam, ki se odraža tudi v naši obsežni garanciji. Upamo, da vam bo ta izdelek odlično služil še dolgo vrsto let.

## 1. VARNOSTNA OPOZORIILA



### OPOZORILO

**Preberite priložena varnostna opozorila, dodatna varnostna opozorila in navodila.** Če ne sledite varnostnim opozorilom ali navodilom, to lahko privede do električnega udara, požara in/ali hudih poškodb. **Varnostna opozorila in navodila si shranite tudi za v prihodnje.**

Sledeči simboli so v rabi v navodilih in na izdelku:



*Preberite navodila za uporabnika.*



*Tveganje telesnih poškodb.*



*Tveganje električnega udara.*



*Takoj izklopite napajanje iz električne napeljave, če se napeljava poškoduje in med čiščenjem in vzdrževanjem.*



*Nosite zaščito za oči.  
Nosite zaščito za ušesa.*



*Nosite masko za prah.*



*Dvojno izoliran.*



*Tega izdelka ne vrzite stran v neprimerno posode za smeti.*



Ta izdelek je v skladu s primernimi varnostnimi standardi Evropskih direktiv.

## SPLOŠNA VARNOSTNA NAVODILA



### OPOZORILO!

**Preberite vsa varnostna opozorila, navodila, slikovne prikaze in specifikacije, priložene električnemu orodju.** Če spodnjih navodil ne upoštevate, lahko to povzroči električni šok, požar in/ali hude telesne poškodbe.

### Shranite navodila.

Izraz »električno orodje« v vseh navodilih se nanaša na vaše električno orodje, ki je priključeno na omrežje (s kablom), kakor tudi na električno orodje, ki deluje na baterije (brez kabla).

### 1) Delovno področje

- Delovno področje naj bo čisto in dobro osvetljeno.** Razmetana in temna področja dobesedno vabijo nesreče.
- Ne uporabljajte električnih orodij v eksplozivnih atmosferah, kot na primer v prisotnosti vnetljivih tekočin, plinov ali prahu.** Električna orodja ustvarjajo iskrice, ki lahko vnamejo prašne delce hlapov.
- Otroci in drugi naj ne bodo prisotni med upravljanjem z električnim orodjem.** Motnje lahko povzročijo izgubo nadzora

### 2) Varnost z elektriko

- Vtikači za električna orodja se morajo ujemati z vtikalno dozo. Nikoli ne spreminjajte vtikačev na kakršenkoli način. Ne uporabljajte adapterjev, ki ozemljijo električna orodja.** Nespremenjeni vtikači ter ujemaajoče se vtikalne doze zmanjšajo tveganje električnih šokov.
- Izogibajte se stika z ozemljenimi površinami, kot so na primer pipe, radiatorji, štedilniki ali hladilniki.** Če je vaše telo ozemljeno se poveča tveganje električnega šoka.
- Električnih orodij ne izpostavljajte dežju ali vlažnim razmeram.** Voda v električnem orodju povečuje tveganje električnega šoka.
- S kablom ravnajte primerno. Nikoli ne uporabljajte kabla za nošnje, vleko ali iztikanje električnega orodja. Kabel naj bo**

**varno oddaljen od virov vročine, olja, ostrih robov ali premikajočih se stvari.**

Poškodovani ali prepleteni kabli povečajo tveganje električnega šoka.

- Ko električno orodje uporabljate na prostem, uporabite podaljšek, ki je primeren za uporabo na prostem.** Uporaba kabla, ki je primeren za uporabo na prostem, zmanjša tveganje električnega šoka.
- Če je uporaba električnega orodja v vlažnem okolju neizbežna, uporabite diferenčno tokovno zaščitno stikalo (RCD).** Uporaba stikala RCD zmanjšuje nevarnost električnega udara.

### 3) Osebna varnost

- Bodite pozorni, spremljajte kar počnete ter uporabite zdravo pamet, kadar upravljate električno orodje. Električnega orodja ne uporabljajte, kadar ste utrujeni ali pod vplivom drog, alkohola ali zdravil.** Le trenutek nepozornosti med upravljanjem električnega orodja se lahko konča z resnimi telesnimi poškodbami.
- Uporabljajte osebno zaščitno opremo. Vedno nosite ščitnike za oči.** Varnostna oprema, kot na primer dihalna maska, nehrseči varnostni čevlji, trda čelada ali čepi za ušesa, ki jo uporabljamo v primernih okoliščinah, zmanjšuje nevarnost telesnih poškodb.
- Izoginite se neželenemu zagonu orodja. Prepričajte se, da je stikalo v položaju »off«, preden priključite električno orodje.** Prenašanje naprave s prstom na stikalu ali napajanje električnega orodja med uporabo orodja, lahko privede do nezgod.
- Odstranite katerekoli ključke za odvijanje ali izvijače, preden vključite električno orodje.** Ključ ali izvijač, ki ga pustite na vrtečem se delu vašega električnega orodja, vas lahko resno poškoduje.
- Ne presegajte dosega. Stalno obdržite trden položaj ter ravnotežje.** To vam omogoča boljši nadzor svojega električnega orodja v nepričakovanih okoliščinah.
- Pravilno se oblecite. Ne nosite ohlapnih oblačil ali nakita. Vaši lasje, oblačila ter rokavice naj bodo primerno oddaljene od vrtečih se sestavnih delov. Ohlapna oblačila, nakit ali dolgi lasje se vam lahko zapletejo v vrteče se sestavne dele.**

- g) Če uporabljate naprave za odstranjevanje ter zbiranje prahu se prepričajte, da so povezane ter pravilno uporabljene. *Pravilna uporaba takih naprav lahko zmanjša nevarnosti povezane s prahom.*
- h) Kljub temu da ste zaradi pogoste uporabe dobro seznanjeni s tem orodjem, ne postanite pri rokovanju z njim nepredvidni in ne prezrite varnostnih načel ob njegovi uporabi. *Nepredvidnost lahko v trenutku povzroči hudo telesno poškodbo.*
- 4) **Uporaba ter vzdrževanje električnih naprav**
- a) **Ne preobremenjujte svojega električnega orodja. Uporabite električno orodje, ki je primerno za vaše delo.** *Pravilno električno orodje bo opravilo delo bolje ter varneje, če ga uporabljate na način za kakršnega je bilo narejeno.*
- b) **Ne uporabljajte električnega orodja, če stikalo le-tega ne vključi in izključi.** *Katerokoli električno orodje, ki se ga ne da nadzorovati s stikalom je nevarno in potrebuje popravilo.*
- c) **Iztaknite vtikač iz električnega omrežja, preden prilagajate, spreminjate dodatke ali pospravite električna orodja.** *Taki preventivni varnostni ukrepi zmanjšajo tveganje, da bi električno orodje vklopili po pomoti.*
- d) **Električna orodja, ki niso v uporabi, spravljajte izven dosega otrok in ne dovolite, da bi jih uporabljale osebe, ki niso seznanjene z električnim orodjem ali temi navodili.** *Električna orodja v rokah neizkušenih uporabnikov so nevarna.*
- e) **Vzdržujte električna orodja. Preverjajte, da vrteči se sestavni deli niso razmaknjeni ali spojeni, nalomljeni ali v kakršnemkoli drugem stanju, ki bi lahko vplivalo na delovanje električnega orodja. Če je orodje poškodovano, ga pred uporabo pustite popraviti.** *Mnogo nesreč je posledica slabo vzdrževanih električnih orodij.*
- f) **Orodja za rezanje ohranjajte ostra in čista.** *Pravilno vzdrževana orodja za rezanje, z ostrimi rezalnimi robovi, imajo manj možnosti za spajanje ter jih je tudi lažje nadzorovati.*
- g) **Električno orodje, dodatke ter sestavne dele ipd. uporabljajte v skladu s temi navodili ter na način za katerega je namenjen dotični tip električnega orodja,**

**pri čemer upoštevajte pogoje dela in delo, ki ga morate opraviti.** *Uporaba električnega orodja v namene, ki niso primerni za uporabo le-tega, lahko povzroči nevarne okoliščine.*

- h) **Ročaji in oprijemalne površine morajo biti suhi, čisti in brez madežev olja ali masti.** *Spolzki ročaji in oprijemalne površine ne omogočajo varne uporabe orodja v nepričakovanih situacijah.*

## 6) Servis

- a) **Orodje naj servisira samo pooblaščen serviser, ki uporablja originalne nadomestne dele.** *Na ta način boste zagotovili varnost električnega orodja.*

## Dodatna varnostna opozorila za delta brusilnike



*Stik z ali vdihavanje prahu, ki nastaja med delom (npr. s svincem pobarvane površine, les ali kovina) lahko ogrozi vaše zdravje in zdravje prisotnih. Vedno nosite primerno zaščitno opremo, kot je maska za prah. Vedno zagotovite pravilno odstranjevanje prahu med delom.*

- Ne obdelujte materialov, ki vsebujejo azbest. Azbest povzroča raka.
- Ne uporabljajte stroja za brušenje magnezijevih površin.
- Nosite zaščito za oči. Nosite zaščito za ušesa. Če je potrebno, uporabite druge zaščitne pripomočke, kot so zaščita za roke in stopala ipd.
- Napravo držite za temo namenjene izolirane površine, če obstaja možnost, da bo dodatek zadel ob skrite žice ali napeljavo. Če dodatek pride v stik z „živo“ žico, lahko izpostavljeni kovinski deli stroja prav tako postanejo „živi“. Tveganje električnega udara.
- Bodite zelo previdni med brušenjem pobarvanih površin.
- Pred uporabo odstranite vse žebelje in druge kovinske predmete iz kosa, na katerem boste delali.
- Prepričajte se, da je kos pravilno podprt in pričvrščen.
- Uporabite samo tisti brusilni papir, ki je primeren za ta stroj.
- Uporabite samo brusilni papir pravilnih dimenzij. Zagotovite, da je brusilni papir pravilno nameščen.

- Pred vsako uporabo preglejte brusilni papir. Ne uporabite obrabljene brusilnega papirja.
- Nikoli ne položite stroja na mizo ali klop, če je še prižgan.

### Električna varnost



Vedno zagotovite, da je napetost napajanja enaki napetosti na ploščici s tehničnimi podatki o stroju.

- Ne uporabljajte stroja, če sta poškodovana kabel ali vtič za napajanje.
- Če je treba zamenjati napajalni kabel, ga sme zamenjati le proizvajalec ali pooblaščen servisier, saj se lahko le na ta način izognete varnostnim tveganjem.
- Uporabite samo podaljške, ki so primerni za napetost stroja in imajo debelino najmanj 1,5 mm<sup>2</sup>. Če uporabite kolut s podaljškom, vedno čisto odvijte kabel.

### TEHNIČNI PODATKI

<b>Model No.</b>	<b>PSM1035</b>
Napetost napajanja	230 V~
Frekvenca napajanja	50 Hz
Poraba moči	130 W
Hitrost brez obremenitve	14.000 min <sup>-1</sup>
Teža	0,68 kg

### GLASNOST IN VIBRACIJA

Pritisk zvoka (L <sub>wa</sub> )	76 + 3 dB(A)
Akustična moč (L <sub>wa</sub> )	87 + 3 dB(A)
Vibracija	3,017 + 1,5 m/s <sup>2</sup>



Nosite zaščito za ušesa.

### Raven vibracij

Raven oddajanja vibracij, navedena na zadnji strani teh navodil za uporabo je bila izmerjena v skladu s standardiziranimi testi, navedenimi v EN 62841-1, EN 62841-2-4; uporabiti jo je mogoče za primerjavo različnih orodij med seboj in za predhodno primerjavo izpostavljenosti vibracijam pri uporabi orodja za namene, ki so omenjeni:

- emisija tresljajev se med dejansko uporabo električnega orodja lahko razlikuje od navedene skupne vrednosti glede na način uporabe orodja; in
- ugotoviti morate varnostne ukrepe za zaščito upravljavca, ki temeljijo na oceni izpostavljenosti v dejanskih pogojih uporabe

(upoštevati morate vse faze delovnega cikla, kot je čas, ko je orodje izklopljeno, ko deluje v prostem teku in dodatni čas za zagon).

Pred posledicami vibracij se zaščitite z vzdrževanjem orodja in pripadajočih nastavkov, ter tako, da so vaše roke tople, vaši delovni vzorci pa organizirani

## 2. OPIS (SL. A)

### Cielové použití

Stroj je namenjen brušenju lesa, plastike in kovine. Ta stroj je primeren le za suho brušenje. Ta stroj ni primeren za obdelavo predmetov, ki vsebujejo azbest. Nepravilna uporaba lahko poškoduje orodje.

Številke v besedilih se nanašajo na diagrame na straneh 2.

1. Stikalo za vklop/izklop
2. Prijem
3. Posoda za prah
4. Brusilna blazinca
5. Brusni papir
6. Reža

## 3. SESTAVA



Pred sestavljanjem vedno ugasnite stroj in izklopite napajanje iz vtičnice.

### Priklop posode za prah (sl. B)

Močno priporočamo, da stroj uporabljate z nameščeno posodo za prah (3), saj tako zagotovite optimalno zbiranje prahu.

- Režo na posodi za prah potisnite prek zarez na zadnjem priključku za prah.
- Da bi se prepričali, ali je posoda za prah vstavljena trdno, potisnite posodo za prah, tako daleč, da zaslišite glasni klik.

*Opomba:* Posodo za prah je treba izprazniti, ko je napolnjena do polovite in tako ohranite optimalno zbiranje prahu.



## Namestititev in odstranitev brusnega papirja (sl. C)

- Stroj držite nagnjenega na stran ali obrnjenega na glavo, kot je prikazano na sl. C1.
- Namestite brusni papir (5) zahtevane zrnatosti na brusilno blazinico (4). Zagotovite, da bo perforacija na brusnem papirju (5) ustrezala perforaciji na brusilni blazinici (4), kot je prikazano na sl. C2.
- Brusni papir (5) odstranite tako, da ga preprosto povlečete z brusilne blazinice (4)

*Opomba:* Za brušenje grobih, neravnih površin uporabljajte grobi brusni papir. Srednji brusni papir uporabite za odstranjevanje prask od grobega brusnega papirja. Fini brusni papir uporabite za končno obdelavo površin.

## Menjava brusilne blazinice (sl. D)

Če je obrabljena, je potrebno brusilno blazinico zamenjati.

- Če je potrebno, odstranite brusilni papir.
- Razrahljajte vijake z brusilne blazinice (4).
- Odstranite staro brusilno blazinico.
- Namestite novo brusilno blazinico.
- Pričvrstite vijake na brusilno blazinico (4).

## 4. UPORABA

### Vklapljanje in izklapljanje (sl. A)

- Za vklop stroja potisnite stikalo za vklop/izklop (1) v položaj ,I'.
- Za izklop stroja potisnite stikalo za vklop/izklop (1) v položaj ,0'.

### Namigi za najboljše delo

- Dobro držite stroj za prijem.
- Vklapite stroj.
- Postavite brusilno blazinico z brusilnim papirjem na obdelovani kos.
- Počasi premikajte stroj po kosu in dobro pritiskajte brusilno blazinico na kos.
- Ne pritiskajte preveč na stroj. Naj stroj opravlja delo.

## 5. VZDRŽEVANJE



*Pred nošnjo ali kakršnim koli vzdrževanjem odklopite stroj od napajanja z elektriko.*

Ohišje orodja redno čistite z mehko krpo, najbolje je, da jo uporabite po vsaki uporabi. Zagotovite, da bodo prezračevalne odprtine brez prahu in umazanije. Trdovratno umazanijo odstranite z mehko krpo, namočeno v milnici. Ne uporabljajte topil, kot so bencin, alkohol, amonijak itd. Te vrste kemikalij bodo poškodovale sintetične sestavne dele.

## OKOLJE



*Pokvarjene in/ali neizpravne električne ali elektronske naprave je potrebno odlagati na predpisanih reciklažnih mestih.*

### Samo za države ES

Električnih orodij ne vrzite stran v domače za smeti. Po Evropski smernici 2012/19/EU za WEEE (Odpadna električna in elektronska oprema) in njeno širitev v narodno pravo, je potrebno električna orodja, ki niso več uporabna, zbrati posebej in se jih znebiti na okolju prijazen način.

## GARANCIJA

Posvetujte se s priloženimi pogoji garancije.

## SZLIFIERKA DO DETALI 130W

Dziękujemy za zakup urządzenia firmy Ferm. W ten sposób nabyli Państwo znakomity produkt, opracowany przez jednego z czołowych dostawców w Europie. Wszystkie produkty sprzedawane przez firmę Ferm są produkowane zgodnie z najwyższymi standardami wydajności i bezpieczeństwa. W ramach naszej filozofii oferujemy również znakomity serwis klienta, oparty na wszechstronnej gwarancji. Mamy nadzieję, że urządzenie będzie Państwu doskonale służyć przez wiele lat.

### 1. INSTRUKCJE BEZPIECZEŃSTWA



**Przeczytać dołączone ostrzeżenia dotyczące bezpieczeństwa, dodatkowe ostrzeżenia dotyczące bezpieczeństwa oraz instrukcję.**

Nieprzestrzeganie ostrzeżeń dotyczących bezpieczeństwa oraz instrukcji może prowadzić do porażenia prądem, pożaru i/lub poważnych obrażeń ciała. **Zachować ostrzeżenia dotyczące bezpieczeństwa oraz instrukcje na przyszłość.**

W podręczniku użytkownika urządzenia lub na urządzeniu umieszczono następujące symbole:



Przeczytać podręcznik użytkownika.



Ryzyko obrażeń ciała.



Ryzyko porażenia prądem.



Należy natychmiast odłączyć wtyczkę od zasilania, jeśli przewód zasilający zostanie uszkodzony oraz podczas czyszczenia i konserwacji.



Używać gogli ochronnych. Stosować osłonę dla uszu.



Nosić maskę przeciwpyłową.



Podwójna izolacja.



Nie wyrzucać urządzenia do nieodpowiednich pojemników.



Urządzenie jest zgodne z odpowiednimi normami bezpieczeństwa zawartymi w dyrektywach europejskich.

### OGÓLNE ZALECENIA DOTYCZĄCE BEZPIECZEŃSTWA



**Uwaga!** Przeczytać wszystkie ostrzeżenia dotyczące bezpieczeństwa, ilustracje oraz dane techniczne dołączone do tego elektronarzędzia.

Nieprzestrzeganie wszystkich instrukcji podanych poniżej może prowadzić do porażenia prądem, pożaru i/lub poważnych obrażeń ciała.

#### Zachowaj poniższe instrukcje.

Termin „elektronarzędzia akumulatorowe” we wszystkich ostrzeżeniach zamieszczonych poniżej odnosi się do elektronarzędzi akumulatorowych zasilanych sieciowo (przewodowych) lub elektronarzędzi akumulatorowych działających na baterie (beprzewodowych).

#### 1) Obszar roboczy

- a) **Obszar roboczy należy utrzymywać w czystości.** Powinien on być dobrze oświetlony. Nieład i złe oświetlenie mogą z łatwością doprowadzić do wypadku.
- b) **Nie korzystaj z elektronarzędzi akumulatorowych w warunkach, w których łatwo może dojść do wybuchu, np. w obecności łatwopalnych cieczy, gazów lub pyłu.** Podczas pracy elektronarzędzi akumulatorowych powstają iskry, które mogą doprowadzić do zapłonu pyłu lub oparów.
- c) **Dzieci i inne osoby postronne powinny pozostać w bezpiecznej odległości od pracującego urządzenia.** Rozproszenie uwagi może spowodować utratę kontroli nad urządzeniem.

#### 2) Bezpieczeństwo związane z elektrycznością

- a) **Wtyczki elektronarzędzi akumulatorowych muszą być odpowiednie do danego gniazda.** Pod żadnym pozorem nie należy modyfikować wtyczki w jakikolwiek sposób. Nie należy używać adapterów, które uziemiają

- elektronarzędzia akumulatorowe.** Stosowanie wtyczek nie poddanych modyfikacjom oraz odpowiednich gniazd zmniejsza ryzyko porażenia prądem.
- b) **Należy unikać bezpośredniego kontaktu fizycznego z powierzchniami uziemionymi, takimi jak rury, grzejniki, kuchenki, lodówki.** Ryzyko porażenia prądem jest większe, jeśli ciało osoby obsługującej urządzenie jest uziemione.
- c) **Nie należy wystawiać elektronarzędzi akumulatorowych na działanie deszczu lub wilgoci.** Dostanie się wody do wnętrza elektronarzędzia akumulatorowego zwiększy ryzyko porażenia prądem.
- d) **Nie należy używać przewodu w niewłaściwy sposób.** Pod żadnym pozorem nie należy wykorzystywać przewodu do przenoszenia lub ciągnięcia elektronarzędzia akumulatorowego, ani do jego odłączania od sieci. Przewodu nie należy wystawiać na działanie ciepła, smarów. Powinien on znajdować się w bezpiecznej odległości od ostrych krawędzi i części ruchomych. Przewody uszkodzone lub poplątane zwiększają ryzyko porażenia prądem.
- e) **Podczas korzystania z elektronarzędzia akumulatorowego na wolnym powietrzu, należy używać przewodu przedłużacza przystosowanego do użytku na zewnątrz.** Używanie przewodu nadającego się do użytku na wolnym powietrzu zmniejsza ryzyko porażenia prądem.
- f) **Jeśli obsługa elektronarzędzia w wilgotnym miejscu jest nieunikniona, użyć zasilania wyposażonego w wyłącznik różnicowo-prądowy.** Użycie wyłącznika różnicowo-prądowego zmniejsza ryzyko porażenia prądem.
- 3) Bezpieczeństwo osoby obsługującej urządzenie**
- a) **Przez cały czas należy mieć się na baczności, uważać na to, co się robi, a w czasie obsługi elektronarzędzia akumulatorowego postępować mając na uwadze zdrowy rozsądek.** Urządzenia nie powinny obsługiwać osoby zmęczone lub będące pod wpływem narkotyków, alkoholu lub leków. Chwila nieuwagi w czasie obsługi elektronarzędzi akumulatorowych może być przyczyną powstania poważnych obrażeń ciała.
- b) **Należy korzystać ze sprzętu ochronnego oraz zawsze nosić okulary ochronne.** Sprzęt ochronny, jak na przykład maska przeciwpyłowa, antypoślizgowe obuwie ochronne, kask lub słuchawki ochronne używany we właściwych sytuacjach pozwoli na zmniejszenie ryzyka obrażeń ciała.
- c) **Unikać niezamierzonego uruchomienia.** Przed podłączeniem urządzenia do sieci, zawsze sprawdzić, czy przełącznik znajduje się w pozycji „wyłączony”. Przenoszenie elektronarzędzi z palcem na przełączniku lub włączonych elektronarzędzi z przełącznikiem w położeniu włączenia jest bardzo niebezpieczne i może spowodować wypadek.
- d) **Przed włączeniem elektronarzędzia akumulatorowego należy usunąć z niego wszystkie klucze nastawcze lub maszynowe.** Pozostawienie klucza zamocowanego na jednej z części obrotowych urządzenia może spowodować powstanie obrażeń ciała.
- e) **Nie należy sięgać ponad urządzeniem.** Przez cały czas należy zachować odpowiednią równowagę i zapewnić odpowiednie oparcie dla stóp. Pozwoli to na lepsze kontrolowanie urządzenia w nieoczekiwanych sytuacjach.
- f) **Należy nosić odpowiednie ubranie.** Do pracy z urządzeniem nie wkładać luźnych ubrań ani biżuterii. Włosy, ubranie i rękawiczki trzymać z dala od części ruchomych. Luźne części ubrania, biżuteria lub długie włosy mogą zostać wciągnięte przez części ruchome.
- g) **Jeśli w urządzeniu przewidziano elementy służące do odprowadzania i zbierania pyłu, należy sprawdzić, czy są podłączone, i czy działają we właściwy sposób.** Korzystanie z tego typu elementów pozwala ograniczyć ryzyko związane z wydzielaniem pyłu podczas pracy urządzenia.
- h) **Nie zezwalać na to, aby rutyna związana z częstym korzystaniem z narzędzi powodowała nadmierną pewność siebie i ignorowanie zasad bezpiecznego korzystania z narzędzi.** Nieodpowiedzialne działanie może spowodować poważne obrażenia ciała w ułamku sekundy.

- 4) **Obsługa i konserwacja elektronarzędzi akumulatorowych**
- a) **Urządzenia nie należy przeciążać. Należy korzystać z narzędzia odpowiedniego do danego typu pracy.** *Odpowiednio dobrane urządzenie pozwoli na lepsze i bezpieczniejsze wykonanie pracy, we właściwym dla urządzenia tempie.*
- b) **Z elektronarzędzia akumulatorowego nie należy korzystać, jeśli nie można go włączyć i wyłączyć przy pomocy przełącznika.** *Urządzenie, którego nie można kontrolować używając przełącznika jest niebezpieczne i powinno być oddane do naprawy.*
- c) **Przed przystąpieniem do regulowania elektronarzędzi akumulatorowych, wymiany akcesoriów lub przygotowywania urządzeń do okresu przechowywania, należy odłączyć wtyczkę od źródła zasilania.** *Tego typu środki ostrożności zmniejszają ryzyko przypadkowego uruchomienia urządzenia.*
- d) **Nieczynne elektronarzędzia akumulatorowe należy przechowywać poza zasięgiem dzieci. Nie należy pozwolić, aby osoby nie znające urządzenia lub niniejszych instrukcji obsługi użyły urządzenia.** *Elektronarzędzia akumulatorowe w rękach niekompetentnych użytkowników stanowią zagrożenie.*
- e) **Elektronarzędzia akumulatorowe należy utrzymywać w dobrym stanie technicznym. Należy sprawdzać, czy części ruchome są właściwie założone, i czy się nie zacinają. Należy również sprawdzać, czy jakieś części nie są uszkodzone oraz sprawdzać wszelkie inne elementy, które mogą wpłynąć na pracę urządzeń. Jeśli urządzenie jest uszkodzone, przed przystąpieniem do jego użytkowania, należy je naprawić. Częstą przyczyną wypadków jest zły stan techniczny urządzeń.**
- f) **Narzędzia służące do cięcia powinny być naostrzone i utrzymywane w czystości. Jeśli narzędzia służące do cięcia, które posiadają ostre krawędzie tnące, są właściwie konserwowane, istnieje mniejsze prawdopodobieństwo ich zacinania się. Ponadto, łatwiej je kontrolować.**
- g) **Elektronarzędzia akumulatorowego, akcesoriów, nakładek, itp. należy używać zgodnie z niniejszymi instrukcjami oraz w sposób właściwy dla danego rodzaju urządzenia, z u wzięciem warunków pracy oraz jej rodzaju.** *Używanie urządzenia niezgodnie z przeznaczeniem może prowadzić do powstania sytuacji niebezpiecznych.*
- h) **Uchwyty należy utrzymywać w stanie suchym, czystym i niezabrudzonym olejem lub smarem.** *Śliskie uchwyty i powierzchnie do chwytania nie pozwalają na bezpieczne obchodzenie się z narzędziem i panowanie nad nim w nieoczekiwanych sytuacjach.*
- 6) **Serwis**
- a) **Zlecać serwisowanie elektronarzędzie wykwalifikowanemu technikowi stosującym jedynie części zamienne identyczne z oryginalnymi.** *Zapewni to zachowanie bezpieczeństwa elektronarzędzia.*

### **Dodatkowe ostrzeżenia dotyczące bezpieczeństwa dla szlifierek delta**



*Kontakt lub wdychanie pyłu powstającego podczas używania urządzenia (np. powierzchnie malowane farbami olejowymi, drewna lub metalu) może stanowić zagrożenie dla zdrowia użytkownika lub osób postronnych. Należy zawsze używać odpowiedni sprzęt ochronny, taki jak maska pyłowa. Podczas używania urządzenia, należy stosować odpowiednie systemy usuwania pyłu.*

- Nie wolno pracować na materiałach zawierających azbest. Azbest jest produktem rakotwórczym.
- Nie używać urządzenia do szlifowania przedmiotów zawierających magnez.
- Używać gogli ochronnych. Stosować osłonę dla uszu. W razie potrzeby, stosować środki ochronne, takie jak rękawice ochronne, obuwie ochronne, etc.
- Przytrzymywać urządzenie za izolowane powierzchnie uchwytu, gdyż akcesorium może naruszyć ukryte przewody lub kable sieci elektrycznej. Jeśli akcesorium zetknie się z przewodem elektrycznym znajdującym się pod napięciem, metalowe części urządzenia mogą również znajdować się pod napięciem.

Ryzyko porażenia prądem.

- Zachować szczególną ostrożność podczas szlifowania powierzchni malowanych.
- Przed użyciem usunąć z przedmiotu wszystkie gwoździe i inne metalowe objekty.
- Upewnić się, czy obrabiany przedmiot jest właściwie podtrzymywany lub zamocowany.
- Używać wyłącznie papier ścierny, przystosowany do pracy z urządzeniem.
- Używać wyłącznie papier ścierny o odpowiednich wymiarach. Upewnić się, czy papier ścierny jest prawidłowo zamontowany.
- Przed każdym użyciem sprawdzić papier ścierny. Nie używać nadmiernie zużytego papieru ściernego.
- Nigdy nie kłaść urządzenia na stole czy pulpicie przed jego wyłączeniem.

### Bezpieczeństwo elektryczne



*Zawsze sprawdzać, czy napięcie w sieci odpowiada napięciu na tabliczce znamionowej urządzenia.*

- Nie używać urządzenia, jeśli przewód zasilający lub wtyczka jest uszkodzona.
- Jeśli wymiana przewodu zasilającego jest konieczna, aby zapewnić bezpieczeństwo, wymianę musi przeprowadzić producent lub jego przedstawiciel.
- Używać wyłącznie takich przedłużaczy, które są odpowiednie dla mocy znamionowej urządzenia, o średnicy minimum 1,5 mm<sup>2</sup>. W przypadku używania przedłużacza na szpuli, całkowicie rozwinąć przewód.

### DANE TECHNICZNE

<b>Model No.</b>	<b>PSM1035</b>
Napięcie w sieci	230 V~
Częstotliwość w sieci	50 Hz
Moc wejściowa	130 W
Prędkość bez obciążenia	14.000 min <sup>-1</sup>
Ciężar	0,68 kg

### HAŁAS I WIBRACJE

Ciśnienie dźwięku ( $L_{wa}$ )	76 + 3 dB(A)
Moc akustyczna ( $L_{wa}$ )	87 + 3 dB(A)
Wibracje	3,017 + 1,5 m/s <sup>2</sup>



*Stosować osłonę dla uszu.*

### Poziom wibracji

Poziom emisji wibracji podany na końcu tej instrukcji został zmierzony zgodnie z testem standaryzowanym podanym w EN 62841-1, EN 62841-2-4; może służyć do porównania jednego narzędzia z innym i jako ocena wstępna narażenia na wibracje w trakcie używania narzędzia do wymienionych zadań:

- emisja drgań podczas rzeczywistego użytkowania elektronarzędzia może różnić się od zadeklarowanej wartości całkowitej w zależności od sposobu użytkowania narzędzia oraz
- konieczne jest określenie środków ochrony operatora w oparciu o szacowane narażenie w rzeczywistych warunkach użytkowania (z uwzględnieniem wszystkich części cyklu pracy, np. czasu, kiedy narzędzie jest wyłączone oraz gdy pracuje na biegu jałowym, poza samym czasem jego włączenia).

Należy chronić się przed skutkami wibracji przez konserwację narzędzia i jego akcesoriów, zakładanie rękawic i właściwą organizację pracy

## 2. OPIS (RYS. A)

### Przeznaczenie

Narzędzie jest przeznaczone do szlifowania drewna, tworzyw sztucznych i metalu. Narzędzie jest przeznaczone wyłącznie do szlifowania na sucho. Maszyna nie jest przeznaczona do obróbki powierzchni zawierających azbest. Niewłaściwe użytkowanie może spowodować uszkodzenie narzędzia.

Liczby w tekście odnoszą się do rysunków na stronie 2.

1. Przełącznik wł./wył.
2. Uchwyt
3. Pojemnik na pył
4. Podkładka szlifująca
5. Papieru ściernego
6. Szczelina

### 3. MONTAŻ



Przed montażem należy zawsze wyłączyć urządzenie i odłączyć od sieci zasilającej.

#### Podłączanie pojemnika na pył (rys. B)

Zaleca się używanie maszyny w połączeniu z pojemnikiem na pył (3), który zapewnia optymalne gromadzenie pyłu.

- Nasunąć szczelinę w pojemniku na pył na karb na tylnym wylocie pyłu.
- Aby zapewnić solidne włożenie zbiornika na pył, wciskać pojemnik na pył do czasu usłyszenia odgłosu zatrzaśnięcia.

*Uwaga:* Pojemnik na pył należy opróżnić, gdy będzie napęczniony w połowie, aby zachować optymalne gromadzenie pyłu.

#### Montaż i zdejmowanie papieru ściernego (rys. C)

- Położyć narzędzie na boku lub spodem do góry i przytrzymać, zgodnie z Rys. C1.
- Założyć papier ścierny (5) o odpowiednim rozmiarze ziarna na podkładkę szlifującą (4). Upewnić się, czy perforacja na papierze ściernym (5) odpowiada perforacji na podkładce szlifującej (4). Rys.C2.
- Aby usunąć papier ścierny (9), po prostu ściągnąć go z podkładki do szlifowania (4).

*Uwaga:* Używać gruboziarnistego papieru ściernego do szlifowania szorstkich i nierównych powierzchni. Używać papieru ściernego ze średnim rozmiarem ziarna do usuwania rys pozostałych po papierze gruboziarnistym. Używać papieru ściernego o niewielkim rozmiarze ziarna do wykańczania powierzchni.

#### Wymiana podkładki szlifującej (rys. D)

W przypadku zużycia podkładki szlifującej, należy ją wymienić.

- W razie potrzeby, zdjąć papier ścierny.
- Poluzować śruby podkładki szlifującej (4).
- Zdjąć starą podkładkę szlifującą.
- Założyć nową podkładkę szlifującą.
- Dokręcić śruby (10) podkładki szlifującej (4).

### 4. UŻYWANIE URZĄDZENIA

#### Włączanie i wyłączenie (rys. A)

- Aby włączyć urządzenie, należy ustawić przełącznik wł./wył. (1) w pozycji ,I'.
- Aby wyłączyć urządzenie, należy ustawić przełącznik wł./wył. (1) w pozycji ,0'.

#### Wskazówki dla optymalnej pracy

- Mocno trzymać urządzenie za uchwyt.
- Włączyć urządzenie.
- Umieścić podkładkę szlifującą z założonym papierem ściernym na obrabianym przedmiocie.
- Powoli przesunąć urządzenie, mocno dociskając podkładkę szlifującą do szlifowanego przedmiotu.
- Nie stosować nadmiernego nacisku na urządzenie. Wykonać pracę.

### 5. KONSERWACJA



Przed rozpoczęciem czyszczenia i konserwacji zawsze wyłączyć maszynę i wyjmować z niej akumulator.

Czyścić obudowę maszyny regularnie miękką ściereczką, najlepiej po każdym użyciu. Dopilnować, aby otwory wentylacyjne były wolne od pyłu, kurzu i zabrudzeń. Usuwać odporne zabrudzenia miękką ściereczką zwilżoną mydlinami. Nie używać żadnych rozpuszczalników, takich jak benzyna, alkohol, amoniak itp. Takie substancje chemiczne spowodują uszkodzenie części z tworzyw sztucznych.

### ŚRODOWISKO



Uszkodzone i/lub niepotrzebne urządzenia elektryczne lub elektroniczne podlegają zbiórce w odpowiednich punktach recyklingu.

#### Tylko kraje WE

Nie wyrzucać elektronarzędzi wraz z odpadami z gospodarstw domowych. Zgodnie z dyrektywą 2012/19/WE dotyczącą zużytych urządzeń elektrycznych i elektronicznych oraz jej wdrożeniem do prawodawstwa krajowego,

elektronarzędzia, które już nie nadają się do użytku, podlegają oddzielnej zbiórce oraz utylizacji w sposób przyjazny dla środowiska.

## GWARANCJA

Należy zapoznać się z dołączonymi warunkami gwarancji.

## DETALIŲ ŠLIFUOKLIS 130W

Dėkojame, kad įsigijote šį „Ferm“ produktą. Tai yra puikus produktas, kurį teikia Europoje pirmaujantys tiekėjai. Visi pristatomi „Ferm“ produktai gaminami pagal aukščiausius našumo ir saugumo standartus. Laikydami savo principų, taip pat klientams teikiame puikias paslaugas, kurioms suteikiame visišką garantiją. Tikimės, kad mėgausitės naudodami šį produktą daugelį metų.

### 1. SAUGOS ĮSPĖJIMAI



**Perskaitykite pridėtus saugos įspėjimus, papildomus įspėjimus ir instrukcijas. Nesilaikant saugos įspėjimų ir instrukcijų gali kilti elektros smūgis, gaisras ir / arba galima rimtai susižeisti. Išsaugokite šiuos saugos įspėjimus ir instrukcijas ateičiai.**

Toliau pateikiami simboliai naudojami naudotojo vadove arba ant produkto:



*Perskaitykite naudotojo vadovą.*



*Galima susižeisti.*



*Gali kilti elektros smūgis.*



*Jei valymo ir priežiūros metu pažeidžiamas maitinimo kabelis, nedelsdami ištraukite kištuką iš maitinimo lizdo.*



*Dėvėkite apsauginius akinius.  
Dėvėkite klausos apsaugas.*



*Dėvėkite nuo dulkių apsaugančią kaukę.*



*Dvigubai izoliuotas.*



*Neišmeskite produkto į netinkamą konteinerį.*



*Produktas atitinka Europos direktyvų taikomus saugos standartus.*



## BENDROS SAUGUMOTAISYKLĖS



### SPĖJIMAS!

*Perskaitykite visus su šiuo elektriniu įrankiu pateiktus saugos įspėjimus, instrukcijas, iliustracijas ir specifikacijas. Jei nesivadovausite visomis toliau pateiktomis instrukcijomis, galite gauti elektros smūgį, sukelti gaisrą ir (arba) sunkiai susižeisti.*

### Saugokite šias instrukcijas.

*Terminas „elektros įrankis“ visuose įspėjimuose, išvardintuose žemiau, reiškia elektros prietaisą - laidinį ar baterijos varomą belaidį įrankį.*

#### 1) Darbo vieta

##### a) Darbo vieta turi būti švari ir geri apšviesta.

*Tamsiose, užkrautose vietose yra didelė nelaimingų atsitikimų tikimybė.*

##### b) Nedirbkite su elektros prietaisais erdvėse, kur kyla sproginio pavojus, ten, kur yra degių skysčių, dujų ar dulkių. Elektriniai prietaisai sukelia žiežirbas, kurios gali uždegti sukeltas dulkes.

##### c) Laikykite vaikus ir pašalinius kuo toliau, dirbdami su elektros prietaisais. Dėl išsiblašymo galite prarasti kontrolę.

#### 2) Elektros prietaiso saugumas

##### a) Elektros prietaiso kištukas turi atitikti elektros lizdą. Nemodifikuokite kištuko.

*Nenaudokite adapterio kištukų, kuriais įžeminami elektros įrankiai. Nemodifikuoti kištukai ir atitinkantys elektros lizdai sumažina elektros šoko pavojų.*

##### b) Venkite kūno dalių sąlyčio su įžemintais paviršiais, tokiais kaip vamzdžiai, radiatoriai, elektros grandinės ir šaldytuvai. Kyla didesnis elektros šoko pavojus, jei jūsų kūnas yra įžemintas.

##### c) Saugokite elektros prietaisą nuo lietaus ar drėgmės. Vanduo, patekęs į elektros prietaisą padidina elektros šoko riziką.

##### d) Elkitės su laidu atsakingai. Niekada nenaudokite laido kroviniams nešti, išjungdami prietaisą iš elektros tinklo, netraukite už laido. Laikykite laidą toliau nuo įkaitusių paviršių, tepalų, aštrių kampų ar mobilių dalių. Suirę ar susipynę laidai padidina elektros šoko pavojų.

- e) Dirbant su elektros prietaisais lauke, naudokite prailgintuvą, tinkamą naudoti lauke, tai sumažina elektros šoko pavojų.
- f) Jeigu elektrinį įrankį neišvengiamai reikia naudoti drėgnoje aplinkoje, naudokite energijos šaltinį, apsaugotą liekamosios elektros srovės prietaisais (RCD). Naudojant RCD, sumažėja elektros smūgio pavojus.

#### 3) Asmeninis saugumas

##### a) Būkite atidūs, stebėkite savo darbą ir priimkite praktiškus sprendimus dirbdami su elektros prietaisais. Nenaudokite elektros prietaiso, jei esate pavargęs ar veikiamas narkotikų, alkoholio ar vaistų. Sekundė neatidumo dirbant su elektros prietaisais gali baigtis rimtu susižeidimu.

##### b) Naudokite apsaugos priemones. Visada dėvėkite akių apsaugą. Apsaugos priemonės, tokios kaip kaukė nuo dulkių, neslystanti apsauginė avalynė, šalmas, ar ausų kištukai, naudojami atitinkamose darbo sąlygose, sumažina susižeidimų skaičių.

##### c) Būkite atsargūs, kad netyčia neįjungtumėte įrankio. Užtikrinkite, kad prietaiso jungiklis yra išjungtas, prieš jungiant prietaisą į elektros lizdą. Pavojainga nešti elektrinį įrankį uždėjus pirštą ant jo jungiklio arba be reikalo junginėti elektrinius įrankius, turinčius jungiklį.

##### d) Nuimkite nuo elektros prietaiso visus reguliavimo raktus ar veržliaraktus prieš įjungdami elektrinį prietaisą. Veržliaraktis ar reguliavimo raktas, palikti prijungti prie elektros prietaiso, gali sužeisti.

##### e) Nepersitempkite. Dėvėkite tinkamą avalynę ir visada pasirinkite stabilų pagrindą po kojomis. Tai leidžia geriau suvaldyti elektros prietaisą netikėtose situacijose.

##### f) Tinkamai apsirenkite. Nedėvėkite laisvų rūbų ir papuošalų. Saugokite plaukus, rūbus bei pirštines laikykite toliau nuo mobilių dalių.

##### g) Jei yra galimybė naudoti dulkių siurbimo ir surinkimo įrangą, užtikrinkite, kad ji yra pajungta ir naudojama tinkamai. Šios įrangos naudojimas sumažina pavojų, kylantį dėl dulkių.

##### h) Net jeigu esate įgudę naudotojai ir dažnai naudojate įrankiais, perdėtai nepasitikėkite savimi ir neignorruokite įrankio naudojimo saugos taisyklių. Nerūpestingas elgesys per sekundės dalį gali baigtis sunkiu susižalojimu.

- 4) **Elektros prietaiso naudojimas ir priežiūra**
- a) **Nenaudokite jėgos dirbdami su elektros prietaisu. Naudokite tinkamą elektros srovę.** *Tinkamai eksploatuojamas elektros prietaisas tarnaus ilgiau bei efektyviau, taip pat ir saugiau naudojant tokią elektros srovę, kuriai jis buvo suprojektuotas.*
- b) **Nenaudokite elektros prietaiso, jei jungiklis neįsijungia ar neišsijungia.** *Bet kuris elektros prietaisas, kurio jungiklis neveikia, kelia pavojų ir turi būti remontuojamas.*
- c) **Atjunkite prietaisą iš elektros lizdo prieš reguliuodami, keisdami aksesuarus, ar įjungdami.** *Šios apsaugos priemonės sumažina pavojų elektros prietaisui įsijungti netikėtai.*
- d) **Laikykite nenaudojamus elektros prietaisus nepasiekiamoje vaikams vietoje ir neleiskite asmenims nemokantiems dirbti su šiuo prietaisu bei nesuspazinusiems su šio elektrinio prietaiso valdymo instrukcija - jo valdyti.** *Elektros prietaisai yra pavojingi neįgudusiose rankose.*
- e) **Prižiūrėkite elektros prietaisus. Patikrinkite lygiavimąsi ar judančių detalių apvadus, ar nesulūžusios detalės ir kitus faktorius, galinčius paveikti elektros prietaisą. Jei elektros prietaisas yra sugedęs, nenaudokite jo.** *Daugelis nelaimingų atsitikimų įvyksta dėl prastai prižiūrimų elektros prietaisų.*
- f) **Laikykite pjovimo įnagius išgalastus ir švarius.** *Gerai prižiūrimi pjovimo įrankiai su aštriomis briaunomis nekimba, juos lengviau valdyti.*
- g) **Naudokite elektros prietaisą, aksesuarus ir įrankių detales, ir t.t. pagal šias instrukcijas ir tuo metodu, kuris priskirtas šiam elektros prietaisui, atsižvelgiant į darbo sąlygas ir atliekamą darbą.** *Naudodami elektros prietaisą kitiems darbams, nei jis yra skirtas, gali sudaryti pavojingas situacijas.*
- h) **Rankenos ir paviršiai, už kurių yra laikomas įrankis, privalo būti sausi, švarūs, netepaluoti ir nealyvuoti.** *Slidžios rankenos ir laikymo paviršiai neleidžia saugiai naudotis įrankiu ir suvaldyti jo netikėtomis sąlygomis.*

## 6) Aptarnavimas

- a) **Techninę priežiūrą turi atlikti tik kvalifikuotas remonto meistras, naudojant tik originalias keičiamąsias dalis.** *Taip užtikrinsite saugų elektros įrankio darbą*

## Papildomi trikampio šlifuko šlifavimo saugos įspėjimai



*Sąlytis su darbo metu susidarantiomis dulkelėmis (pvz., nuo švinu dengtų paviršių, medžio ar metalo) arba jų įkvėpimas gali sukelti pavojų jūsų ir šalia stovinčiųjų sveikatai. Visada dėvėkite tinkamas apsaugines priemones, pvz., nuo dulkių apsaugančią kaukę. Dirbdami visada naudokite tinkamas dulkių ištraukimo priemones.*

- Nenaudokite medžiagų, kurių sudėtyje yra asbesto. Asbestas yra kancerogeninė medžiaga.
- Nenaudokite įrenginio magnio ruošiniams šlifuoti.
- Nešiokite apsauginius akinius. Naudokite klausos apsaugą. Jei reikia, naudokite kitas apsaugines priemones, pvz., apsaugines pirštines, batus ir t. t.
- Prilaikykite įrenginį už izoliuotų įsitvėrimo paviršių, kur priedas gali liesti paslėptus elektros laidus arba maitinimo kabelius. Jei priedas užkabintų laidą, kuriuo teka srovė, neapsaugotomis metalinėmis įrenginio dalimis taip pat gali tekėti srovė. Elektros iškvos pavojus.
- Būkite labai atsargūs šlifaujant dažytus paviršius.
- Prieš naudodami išimkite iš ruošinio vinis ir kitas metalines detales.
- Patikrinkite, ar ruošinys patikimai paremtas ar pritvirtintas.
- Naudokite tik šiam įrenginiui tinkamą šlifavimo popierių.
- Naudokite tik tinkamų matmenų šlifavimo popierių. Patikrinkite, ar šlifavimo popierius tinkamai pritvirtintas.
- Patikrinkite šlifavimo popierių prieš kiekvieną naudojimą. Nenaudokite per ilgai naudoto nusidėvėjusio šlifavimo popieriaus.
- Nedėkite įrenginio ant stalo ar darbatalio prieš tai jo neišjunge.

## Apsauga nuo elektros



Visada patikrinkite, ar elektros įtampa atitinka duomenų lentelėje pateiktus įtampos duomenis.

- Nenaudokite įrenginio, jei maitinimo kabelis arba kištukas yra sugadintas.
- Jeigu reikia pakeisti maitinimo laidą, tai turi atlikti gamintojas arba jo atstovas, kad nekiltų pavojus saugai.
- Naudokite tik tuos ilgintuvus, kurie atitinka įrenginio elektros galią su minimaliu 1,5 mm2 storiu. Jei naudosite ilgintuvo ritę, visada visiškai išvyniokite kabelį.

## Techniniai duomenys

<b>Model No.</b>	<b>PSM1035</b>
Elektros įtampa	230 V~
Elektros dažnis	50 Hz
Įėjimo galia	130 W
Greitis be apkrovos	14.000 min <sup>-1</sup>
Svoris	0,68 kg
<b>TRIUKŠMAS IR VIBRACIJA</b>	
Garso slėgis (L <sub>pa</sub> )	76 + 3 dB(A)
Akustikos galia (L <sub>wa</sub> )	87 + 3 dB(A)
Vibracija	3,017 + 1,5 m/s <sup>2</sup>



Naudokite klausos apsaugą.

## Vibracijos lygis

Vibracijos sklaidos lygis, nurodytas ant šio instrukcijų vadovo užpakalinio viršelio, išmatuotas pagal standarte EN 62841-1, EN 62841-2-4 išdėstytus standartizuoto bandymo reikalavimus; ši vertė gali būti naudojama vienam įrankiui palyginti su kitu bei išankstiniam vibracijos poveikiui įvertinti, kai įrankis naudojamas paminėtais būdais:

- elektrinio įrankio vibracijos emisija faktinio naudojimo metu gali skirtis deklaruotosios vertės, atsižvelgiant į įrankio naudojimo pobūdį;
- papildomų operatoriaus apsaugos priemonių poreikį reikia nustatyti pagal faktines įrankio naudojimo sąlygas (reikia atsižvelgti į visas darbinio ciklo dalis, pvz., ne tik į įrankio naudojimo laiką, bet ir laikotarpus, kai įrankis būna išjungtas ir kai jis veikia laisvai).

Apsisaugokite nuo vibracijos poveikio prižiūradami įrankį ir jo priedus, laikydami rankas šiltai ir derindami darbo ciklus su pertraukėlėmis

## 2. APRAŠAS (A PAV.)

### Numatytoji naudojimo paskirtis

Įrenginys skirtas medienai, plastikui ir metalui šlifuoti. Šis įrenginys tinka tik sausajam šlifavimui. Įrenginys nėra tinkamas objektams, kuriuose yra asbesto, apdoroti. Netinkamai naudojant įrankį, jis gali būti sugadintas.

Tekste nurodyti rodikliai yra siejami su p. 2 pateiktomis schemomis.

1. Įjungimo/išjungimo jungiklis
2. Rankena
3. Dulkių dėžutė
4. Šlifavimo padukas
5. Šlifavimo popierius
6. Anga

## 3. SURINKIMAS



Prieš surinkdami būtina išjunkite įrenginį ir iš maitinimo lizdo ištraukite kištuką.

### Dulkių dėžutės prijungimas (B pav.)

Įrenginį primygtinai rekomenduojama naudoti su dulkių dėžute (3), kad būtų užtikrintas optimalus dulkių surinkimas.

- Užstumkite angą dulkių dėžutėje ant griovelio galinėje dulkių išleidimo angoje.
- Norėdami įsitikinti, kad dulkių dėžutė patikimai įstatyta, spauskite ją, kol išgirsite spragtelėjimą.

*Pastaba.* Kai dulkių dėžutė pripildoma iki pusės, ją reikia ištuštinti, kad būtų užtikrintas optimalus dulkių surinkimas.

### Šlifavimo popieriaus uždėjimas ir nuėmimas (C pav.)

- Paguldykite įrenginį ant šono arba apverskite jį, kaip pavaizduota C1 pav.
- Ant šlifavimo pagrindo (4) pritvirtinkite tinkamo grūdėtumo šlifavimo popierių (5). Įsitikinkite,

kad šlifavimo popieriuje (5) esančios skylės atitinka šlifavimo pagrindo (4) skylės, kaip pavaizduota C1 pav.

- Jei šlifavimo popierių (5) norite nuimti, tiesiog nutraukite jį nuo šlifavimo pagrindo (4).

**Pastaba.** Grubiam nelygių paviršių šlifavimui naudokite šiurkštų popierių. Įbrėžimams, likusiems po grubaus šlifavimo šiurkščiu šlifavimo popieriumi, pašalinti naudokite vidutinio šiurkštumo šlifavimo popierių. Galutinei paviršių apdailai švelniausią šlifavimo popierių.

#### Šlifavimo paduko keitimas (E pav.)

Jei šlifavimo padukas nusidėvėjo, jį reikia pakeisti.

- Jei reikia, nuimkite šlifavimo popierių.
- Atsukite varžtus nuo šlifavimo paduko (4).
- Išimkite seną šlifavimo paduką.
- Pritvirtinkite naują šlifavimo paduką.
- Prisukite varžtus prie šlifavimo paduko (4).

## 4. NAUDOJIMAS

#### Įjungimas ir išjungimas (A pav.)

- Jei norite įjungti įrenginį, nustatykite įjungimo/išjungimo jungiklį (1) į padėtį „I“.
- Jei norite išjungti įrenginį, nustatykite įjungimo/išjungimo jungiklį (1) į padėtį „0“.

#### Optimalaus naudojimo patarimai

- Tvirtai laikykite įrenginio rankeną.
- Įjunkite įrenginį.
- Padėkite šlifavimo popierių su šlifavimo paduku ant ruošinio.
- Lėtai vedžiokite įrenginį virš ruošinio, tvirtai spausdami šlifavimo paduką prie ruošinio.
- Nespauskite įrenginio per stipriai. Leiskite įrenginiui atlikti savo darbą.

## 5. TECHNINĖ PRIEŽIŪRA



*Prieš atlikdami valymo ir techninės priežiūros darbus, visada išjunkite jį ir ištraukite maitinimo laido kištuką iš elektros lizdo.*

Reguliariai valykite prietaiso korpusą sausa šluoste, pageidautina po kiekvieno panaudojimo. Ventilacijos angos turi būti nedulkėtos ir

neužterštos. Įsisenėjusius nešvarumus nuvalykite minkšta šluoste, sudrėkinta muiluotu vandeniu. Nenaudokite jokių tirpiklių, pvz., benzino, alkoholio, amoniako ir pan., nes tokie chemikalai gali sugadinti sintetinius komponentus.

## APLINKOSAUGA



*Sugedusius ir (arba) neberekalingus elektrinius arba elektroninius prietaisus reikia pristatyti į atitinkamus perdirbimo punktus.*

#### Taikoma tik EB šalims

Neišmeskite elektrinių įrankių kartu su įprastomis buitinėmis atliekomis. Vadovaujantis Europos rekomendacija 2012/19/EB dėl elektrinių ir elektroninių įrenginių atliekų bei jos įgyvendinimą nacionaliniuose teisės aktuose, visi elektriniai įrankiai privalo būti surenkami atskirai nuo buitinių atliekų bei perdirbami tokiu būdu, kad nebūtų daroma žala aplinkai.

## GARANTIJA

Atsižvelkite į pridėtos garantijos terminus.

## DETAĻU SLĪPMAŠĪNA 130W

Paldies, ka iegādājāties šo Ferm izstrādājumu! Tagad jums ir izcilis izstrādājums, ko piegādājis viens no Eiropas vadošajiem piegādātājiem. Visi jums piegādātie Ferm izstrādājumi ir ražoti saskaņā ar augstākajiem kvalitātes un drošības standartiem. Daļa no mūsu filozofijas ir nodrošināt izcilu klientu apkalpošanu, pateicoties mūsu visaptverošai garantijai. Ceram, ka ar prieku izmantosiet šo izstrādājumu vēl daudzus gadus.

### 1. DROŠĪBAS BRĪDINĀJUMI



**Izlasiet pievienotos drošības brīdinājumus, papildu drošības brīdinājumus un instrukcijas.** Drošības brīdinājumu un instrukciju neievērošana var izraisīt elektrošoku, ugunsgrēku un/vai nopietnas traumas. **Saglabājiet drošības brīdinājumus un instrukcijas, lai varētu nepieciešamības gadījumā tajos ielūkoties.**

Turpmāk minētie simboli tiek izmantoti lietotāja rokasgrāmatā vai uz izstrādājuma:



*Izlasiet lietotāja rokasgrāmatu.*



*Personīgu traumu risks.*



*Elektrošoka risks.*



*Nekavējoties izraujiet kontaktdakšu no elektrotīkla, ja elektrobarošanas kabelis ir bojāts, kā arī tīrīšanas un tehniskās apkopes laikā.*



*Lietojiet aizsargbrilles.  
Lietojiet dzirdes aizsargus.*



*Lietojiet putekļu masku.*



*Dubultizolācija.*



*Neatbrīvojieties no izstrādājuma, iemetot to nepiemērotā konteinerā.*



*Izstrādājums atbilst piemērojamiem Eiropas direktīvu drošības standartiem.*

### VISP RĪJIE DROŠĪBAS NOTEIKUMI



#### **BRĪDINĀJUMS!**

**Izlasiet visus drošības brīdinājumus, norādījumus, ilustrācijas un tehniskos datus, kas atrodas elektroinstrumenta komplektācijā.** Ja nav ievēroti visi turpmāk uzskaitītie norādījumi, var rasties elektrošoks, ugunsgrēks un/vai nopietna trauma.

Saglabājiet šo instrukciju.

#### 1) Darba zona

- Nodrošināt darba zonā tīrību un labu apgaismojumu.** Nekārtība un tumsa darba vietā var izraisīt nelaimes gadījumus.
- Nedarbināt elektroinstrumentus sprādzienbīstamā atmosfērā, piemēram, viegli uzliesmojošu šķidrumu, gāzu vai putekļu tuvumā.** Elektroinstrumenti rada dzirksteles, kas var aizdedzināt tvaiku putekļus.
- Elektroinstrumenta lietošanas laikā raudzīties, lai tuvumā nebūtu bērnu un skatītāju.** Uzmanības novēršana var radīt kontroles zaudēšanu pār elektroinstrumentu.

#### 2) Elektrodrošība

- Elektroinstrumenta kontaktiem ir jāatbilst kontaktligzdai.** Nekad nedrīkst veikt nekāda veida kontakta modifikācijas. Kopā ar saņemtiem (ieņemtiem) elektroinstrumentiem nekad nelietot adaptera kontaktus. Nemedificēti kontakti un piemērotas kontaktligzdas samazinās elektrošoka risku.
- Nepieļaut ķermeņa saskari ar iezemētām vai sazēmētām virsmām, tādām kā cauruļes, radiatoru, plīti un ledusskapji.** Sazēmēta vai iezemēta ķermeņa gadījumā pastāv paaugstināts elektrošoka risks.
- Nepakļaut elektroinstrumentus lietošanai vai mitrumam apstākļiem.** Ūdens iekļūšana elektroinstrumentā paaugstinās elektrošoka risku.
- Vadu izmantot tikai paredzētajā veidā.** Elektroinstrumentu nekad nenest, nevilkt aiz vada un neizraut no kontaktligzdas, velkot aiz vada. Turēt vadu drošā attālumā no karstuma, eļļas, asiemeņiem un kustīgajām daļām. Bojāti vai samudzīnāti vadi paaugstina

- elektrošoka risku.
- e) **Lietojot elektroinstrumentu ārpus telpām, izmantot ārpustelpu lietošanai piemērotu elektrisko pagarinātāju. Ārpustelpu lietošanai piemērota vada izmantošana samazina elektrošoka risku.**
- f) **Ja elektroinstrumentu nākas ekspluatēt mitrā vidē, ierīkojiet elektrobarošanu ar noplūdstrāvas aizsargierīci. Lietojot noplūdstrāvas aizsargierīci, mazinās elektriskās strāvas trieciena risks.**
- 3) Personiskā drošība**
- a) **Lietojot elektroinstrumentu, būt uzmanīgam, raudzīties, kas tiek darīts, un rīkoties saskaņā ar veselo saprātu. Nelietot elektroinstrumentu, kad esat noguris vai esat narkotiku, alkohola vai medikamentu ietekmē. Mirkļis neuzmanības elektroinstrumenta lietošanas laikā var radīt nopietnu traumu.**
- b) **Lietojiet personīgo aizsargaprīkojumu. Vienmēr valkāt acu aizsargu. Aizsargaprīkojuma (putekļu maskas, neslīdošu aizsargapavu, cieta materiāla galvassegas vai ausu aizsarga) lietošana atbilstošos apstākļos samazinās traumas risku.**
- c) **Nepieļaujiet nejaušu iedarbināšanu. Nodrošināt, lai pirms elektroinstrumenta iesprausšanas kontaktligzdā slēdzis būtu izslēgtā stāvoklī. Ja elektroinstrumentu pārnēsājat, turot pirkstu uz slēdža, vai ja kontaktligzdai pievienojat elektroinstrumentu ar ieslēgtu slēdzi, var rasties negadījumi.**
- d) **Pirms elektroinstrumenta ieslēgšanas noņemt no tā visas regulēšanas atslēgas un uzgriežņu atslēgas. Uzgriežņu atslēga vai regulēšanas atslēga, kas palikusi uz kādas rotējošas daļas, var izraisīt traumu.**
- e) **Neliekties pāri elektroinstrumentam. Vienmēr saglabāt stabilu stāvokli un līdzsvaru. Tas ļaus labāk kontrolēt elektroinstrumentu neparedzētās situācijās.**
- f) **Piemēroti apģērbties. Nestrādāt brīvā apģērbā vai valkājot rotaslietas. Turēt matus, apģērbu un cimdus drošā attālumā no kustīgajām daļām. Valģis apģērbs, rotaslietas vai garī mati var tikt ierauti kustīgajās daļās.**
- g) **Ja ierīcēm ir viss nepieciešamais putekļu izdalīšanas un savākšanas aprīkojuma pievienošanai, nodrošināt, lai šis aprīkojums būtu pievienots un tiktu izmantots. Šo ierīču lietošana var samazināt ar putekļiem saistītu bīstamību.**
- h) **Kaut arī jums ir labas iemaņas darbā ar instrumentiem, kas apgūtas, tos bieži lietojot, neaizmirstiet par piesardzību un instrumenta drošības noteikumu ievērošanu. Bezrūpīgas rīcības sekas var būt smagi ievainojumi, ko var gūt vienā acumirkli.**
- 4) Elektroinstrumenta lietošana un kopšana**
- a) **Neiedarboties uz elektroinstrumentu ar spēku. Izmantot attiecīgajam pielietojumam atbilstošu elektroinstrumentu. Pareizais elektroinstrumentu darbu paveiks labāk un drošāk, ja tas tiks darbināts tam paredzētajā ātrumā.**
- b) **Nelietot elektroinstrumentu, ja neieslēdzas un neizslēdzas slēdzis. Elektroinstrumentu, kas nav vadāms ar slēdža palīdzību, ir bīstams un ir jāsalabo.**
- c) **Pirms noregulējumu veikšanas, piederumu nomaiņas vai elektroinstrumentu novietošanas glabāšanā atvienot elektroinstrumentu no elektriskās barošanas. Šādi profilakses pasākumi samazina risku, ka elektroinstrumentu varētu netīši sākt darboties.**
- d) **Dīkstāvē esošus elektroinstrumentus uzglabāt bērniem nepieejamā vietā un neļaut ar tiem darboties cilvēkiem, kas nezina šo elektroinstrumentu darbības principus vai nav iepazinušies ar šiem norādījumiem. Neprasmīgi lietotāju rokās elektroinstrumenti ir bīstami.**
- e) **Nodrošināt elektroinstrumentu apkopi. Pārbaudīt, vai kustīgās daļas nav nepareizi nocentrētas vai saķērušās, vai daļas nav salūzušas, vai arī nav kādu citu apstākļu, kas varētu ietekmēt elektroinstrumentu darbību. Ja elektroinstrumentu ir bojāts, pirms lietošanas salabot to. Daudzus nelaimes gadījumus izraisa nepietiekama elektroinstrumentu apkope.**
- f) **Uzturēt griezējinstrumentus asus un tīrā stāvoklī. Pienācīgi apkopti griezējinstrumenti ar asiem asmeņiem ar mazāku varbūtību saķersies un būs vieglāk vadāmi.**
- g) **Elektroinstrumentu, piederumus un instrumentu ieliktnus utt. lietot saskaņā ar šiem norādījumiem un konkrētā tipa elektroinstrumentam paredzētajā veidā, ņemot vērā darba apstākļus un veicamo darbu. Elektro-**

instrumenta izmantošana operācijām, kas atšķiras no paredzētā lietošanas veida, var radīt bīstamu situāciju.

- h) **Rūpējieties, lai rokturi un satveršanas virsmas vienmēr būtu sausi, tīri un lai uz tiem nebūtu eļļas un smērvielas. Ja rokturi un satveršanas virsmas ir slideni, negaidītās situācijās instrumentu nevar savaldīt.**

## 6) Apkope

- a) **Uzticiet sava elektroinstrumenta apkalpošanu kvalificētam remontstrādniekam, lietojot tikai identiskas rezerves daļas. Tādējādi tiek saglabāta elektroinstrumenta drošība.**

## Papildu drošības brīdinājumi deltveida slīpmašīnām



*Neierobežota saskare ar putekļiem vai to ieelpošana lietošanas laikā (piem., svinotu virsmu, koka un metāla) var apdraudēt jūsu un apkārtnes veselību. Vienmēr lietojiet atbilstošus aizsarglīdzekļus, kā, piemēram, putekļu masku. Vienmēr izmantojiet putekļu atsūci lietošanas laikā.*

- Nelietojiet azbestu saturošu materiālu apstrādei. Azbests tiek uzskatīts par kancerogēnu.
- Neizmantojiet mašīnu magnija sagatavju slīpēšanai.
- Lietojiet aizsargbrilles. Lietojiet dzirdes aizsargus. Ja nepieciešams, lietojiet citus aizsarglīdzekļus, kā, piemēram, aizsargcimdus, aizsargapavus utt.
- Turiet mašīnu aiz izolētajām satveršanas virsmām, ja piederums var saskarties ar paslēptu elektroinstalāciju vai cauruļvadiem. Ja piederums saskaras ar zemsprieguma vadu, mašīnas atklātās metāla daļas var arī nonākt zem sprieguma. Elektrošoka risks.
- Esiet ļoti uzmanīgs, slīpējot krāsotas virsmas.
- Pirms lietošanas no sagataves izvelciet naglas un citus metāla priekšmetus.
- Pārlicinieties, ka sagatave ir kārtīgi atbalstīta vai nostiprināta.
- Izmantojiet tikai tādu smilšpapīru, kas ir piemērots lietošanai ar šo mašīnu.
- Izmantojiet tikai pareizā izmēra smilšpapīru. Pārlicinieties, vai smilšpapīrs ir pareizi uzstādīts.

- Pirms katras lietošanas reizes pārbaudiet smilšpapīru. Neizmantojiet smilšpapīru, kas ir nodilis no pārāk ilgas lietošanas.
- Nekad nelieciet mašīnu uz galda vai ēvelsola, pirms tā ir izslēgta.

## Elektriskā drošība



*Vienmēr pārbaudiet, vai elektrības padeves voltāža atbilst uz tehnisko pamatdatu plāksnes norādītajai voltāžai.*

- Nelietojiet mašīnu, ja elektrobarošanas kabelis vai kontaktdakša ir bojāta.
- Ja jānomaina barošanas vads, to drīkst darīt tikai ražotājs vai tā pārstāvis, lai netiktu apdraudēta drošība.
- Izmantojiet tikai tādus pagarinājuma kabelus, kas ir piemēroti mašīnas nominālai jaudai, ar minimālo biezumu 1,5 mm<sup>2</sup>. Ja izmantojat pagarinājuma kabela rulli, vienmēr pilnībā atritiniet kabeli.

## Tehniskie dati

Model No.	PSM1035
Elektrotīkla voltāža	230 V~
Elektrotīkla frekvence	50 Hz
Jaudas izlietojums	130 W
Tukšgaitas ātrums	14.000 min-1
Svars	0,68 kg

## TROKSNIS UN VIBRĀCIJA

Skānas spiediens ( $L_{pa}$ )	76 + 3 dB(A)
Akustiskā jauda ( $L_{wa}$ )	87 + 3 dB(A)
Vibrācija	3,017 + 1,5 m/s <sup>2</sup>



*Lietojiet dzirdes aizsargus.*

## Vibrācijas līmenis

Šīs rokasgrāmatas aizmugurē ar zvaigznīti norādītais vibrācijas emisiju līmenis mērīts, izmantojot standartā EN 62841-1, EN 62841-2-4 paredzēto testu; to var izmantot, lai salīdzinātu instrumentus un provizoriski izvērtētu vibrācijas iedarbību, lietojot instrumentu minētajiem mērķiem:

- vibrāciju emisijas vērtība elektroinstrumenta faktiskās lietošanas laikā var atšķirties no deklarētās kopējās vērtības atkarībā no instrumenta izmantošanas apstākļiem;
- lai aizsargātu operatoru, jānosaka drošības pasākumi, pamatojoties uz aprēķināto iedarbību faktiskajos darba apstākļos (jāņem vērā visi darbības cikla posmi, piemēram, gan



laiks, kad instrumentu darbina ar nospiestu slēdža mēlīti, gan arī laiks, kad instruments ir izslēgts un darbojas tukšgaitā).

Pasargājiet sevi no vibrācijas ietekmes, veicot instrumenta un tā piederumu tehnisko apkopi, gādājot, lai rokas ir siltas, un organizējot darba gaitu

## 2. APRAKSTS (A ATT.)

### Paredzeta lietošana

Instrumentu paredzēts koksnes, plastmasas un metāla slīpēšanai. Instruments ir piemērots tikai sausajai slīpēšanai. Instruments nav piemērots tādu materiālu apstrādāšanai, kuru sastāvā ir azbests. Nepareiza lietošana var sabojāt instrumentu.

Tekstā norādītie numuri attiecas uz 2. lpp. redzamajiem attēliem.

1. Ieslēgšanas/izslēgšanas slēdzis
2. Rokturis
3. Putekļu tvertne
4. Slīpēšanas paliktņi
5. Smilšpapīrs
6. Poga

## 3. MONTĀŽA



*Pirms montāžas vienmēr izslēdziet mašīnu un izraujiet kontaktdakšu no elektrotīkla.*

### Putekļu tvertnes pievienošana (B. att.)

Stingri ieteicams instrumentam uzstādīt putekļu tvertni (3), lai nodrošinātu optimālu putekļu savākšanu.

- Uzstumiet putekļu tvertnes spraugu uz aizmugurējās putekļu izvadatveres zoba.
- Lai putekļu tvertne būtu pareizi ievietota, stumiet to tiktāl, līdz atskan klikšķis.

*Piezīme.* Putekļu tvertne jāiztukšo, kad tā ir līdz pusei pilna, lai nodrošinātu optimālu putekļu savākšanu.

### Smilšpapīra uzstādīšana un noņemšana (C. att.)

- Turiet instrumentu uz sāna vai apvērstu otrādi, kā norādīts C1. attēlā.
- Uzlieciet vajadzīgās graudainības smilšpapīru (5) uz slīpēšanas paliktņa (4). Smilšpapīra (5) caurumiem jāsakrīt ar slīpēšanas paliktņa (4) caurumiem, kā norādīts C2. attēlā.
- Lai noņemtu smilšpapīru (5) no slīpēšanas paliktņa (4), vienkārši velciet to nost no paliktņa.

*Piezīme.* Raupju un nelīdzenu virsmu slīpēšanai izmantojiet rupjgraudainu smilšpapīru. Lai nogludinātu rupjgraudainā smilšpapīra atstātos skrāpējumus, izmantojiet vidējas graudainības smilšpapīru. Virsmu gludapstrādei izmantojiet smalkgraudainu smilšpapīru.

### Slīpēšanas paliktņa nomainīšana (E att.)

Nolietojuma gadījumā slīpēšanas paliktņi jānomaina.

- Ja nepieciešams, noņemiet smilšpapīru.
- Atskrūvējiet skrūves no slīpēšanas paliktņa (4).
- Noņemiet veco slīpēšanas paliktņi.
- Uzlieciet jauno slīpēšanas paliktņi.
- Pieskrūvējiet skrūves slīpēšanas paliktņim (4).

## 4. IZMANTOŠANA

### Ieslēgšana un izslēgšana (A att.)

- Lai ieslēgtu mašīnu, iestatiet ieslēgšanas/izslēgšanas slēdzi (1) pozīcijā „I”.
- Lai izslēgtu mašīnu, iestatiet ieslēgšanas/izslēgšanas slēdzi (1) pozīcijā „0”.

### Padomi optimālai lietošanai

- Cieši turiet mašīnu aiz roktura.
- Ieslēdziet mašīnu.
- Novietojiet slīpēšanas paliktņi ar smilšpapīru uz sagataves.
- Lēni virziet mašīnu pa sagatavi, stingri spiežot slīpēšanas paliktņi pret sagatavi.
- Neizmantojiet pārāk lielu spiedienu uz mašīnu. Ļaujiet mašīnai veikt darbu.

## 5. APKOPE



*Pirms tīrīšanas un apkopes instruments ir jāizslēdz un no tā jāizņem akumulators.*

Ar mīkstu lupatiņu regulāri - ieteicams, pēc katras ekspluatācijas reizes - iztīriet instrumenta korpusu. Regulāri iztīriet putekļus un netīrumus no ventilācijas atverēm. Ļoti noturīgus netīrumus tīriet ar ziepjūdeni samērcētu mīkstu drāniņu. Nelietojiet nekādus šķīdumus, piemēram, benzīnu, spirtu, amonjaku, u. c. Šāda veida ķīmiskās vielas sabojās sintētiskās detaļas.

## VIDE



*Bojāta un/vai nolietota elektriskā vai elektroniskā aparatūra jānogādā piemērotā utilizācijas centrā.*

## Tikai EK valstīm

Neizmetiet nolietotus elektroinstrumentus sadzīves atkritumos. Saskaņā ar Eiropas Direktīvu 2012/19/EK par elektrisko un elektronisko iekārtu atkritumiem un, īstenojot to saskaņā ar valsts tiesību aktiem, visi elektroinstrumenti, kas turpmāk vairs nav lietojami, ir jāsavāc atsevišķi un jāpārstrādā videi nekaitīgā veidā.

## GARANTĪJA

levērojiet pievienotos garantijas noteikumus.

## KOLMNURKLIHVĪJA 130W

Tānāme, et ostsīte selle Fermi toote. Olete teinud hea ostu ning nüüd on teil suurepärane toode ühelt Euroopa juhtvalt elektritööriistade tarnijalt. Kõik Fermi tarnitud tooted on valmistatud vastavuses rangeimate toimimis- ja ohutusnõuetega. Lisaks sellele oleme me seadnud endale eesmärgiks pakkuda suurepärasest klienditeenindust ja igakülgset garantiid. Me loodame, et tunnete sellest tootest rõõmu ka aastate pärast.

## OHUTUSTEAVE



**Lugege tootega kaasas olevat ohutusteavet, täiendavat ohutusteavet ja juhiseid.** Ohutusteabe ja juhiste mittejärgimise tagajärjeks võib olla elektrilööök, tulekahju ja/või tõsine vigastus. **Hoidke ohutusteave ja juhised alati käepärast.**

Kasutusjuhendis või tootel kasutatakse järgmisi sümboleid:



*Lugege kasutusjuhendit.*



*Tervisekahjustuse oht.*



*Elektrilöögioht.*



*Eemaldage seade voluvõrgust, kui toitejuhe saab kahjustada või kui puhastate ja hooldate seadet.*



*Kasutage kaitseprille. Kasutage kuulmiskaitsevahendeid.*



*Kasutage tolumumaski.*



*Kaitseisolatsiooniga.*



*Ärge hoidke toodet selleks ebasobivas kohas.*

**CE** Toode on vastavuses Euroopa Liidu direktiivides sätestatud asjakohaste ohutusnõuetega.

## OHUTUSJUHISED



### HOIATUS!

**Lugege kõiki selle elektritööriista kaasas olevaid hoiatusi, juhiseid, jooniseid ja tehnilisi andmeid.** Kõigi juhiste täpne järgimine aitab vältida elektrilöögi, tulekahju ja/või raskete vigastuste ohtu.

### Hoidke juhised alles.

Termin "elektriline tööriist" kõikides allesitatud hoiatustes tähistab elektriga töötavat (juhtmestatud) tööriista või akudelt töötavat (juhtmeta) tööriista.

### 1) Tööpiirkond

- Hoidke tööpiirkond puhas ja hästi valgustatud.** Korratu ja halvasti valgustatud piirkond põhjustab õnnetusi.
- Ärge töötage elektriliste tööriistadega plahvatusohtlikus keskkonnas, nt kergsüttivate vedelike, gaasi või tolmu läheduses.** Elektrilised tööriistad tekitavad sädemeid, mis võivad süüdata tolmuosakesed.
- Hoidke lapsed ja kõrvalised isikud elektrilise tööriistaga töötades eemal.** Tähelepanu kõrvalejätmine võib põhjustada kontrolli kaotust.

### 2) Elektriline ohutus

- Elektrilise tööriista pistik peab sobima pistikupesaga.** Ärge kunagi muutke pistikut mis tahes moel. Ärge kunagi kasutage maandusega elektriliste tööriistade puhul pistiku adaptoreid. Muutmata pistikud ja sobivad pistikupesad vähendavad elektrilöögi ohtu.
- Vältige kehalist kontakti maandatud pindadega, nt torud, radiaatorid, elektriliidid ja külmutuskapid.** Elektrilöögi oht suureneb, kui Teie keha on maandatud.
- Ärge jätke elektrilisi tööriistu vihma kätte ega niiskettesse oludesse.** Elektrilise tööriista sisse kogunev vesi suurendab elektrilöögi ohtu.
- Ärge kasutage elektrijuhet valesti.** Ärge kunagi kasutage elektrijuhet elektrilise tööriista kandmiseks, tõmbamiseks ega

pistikust eemaldamiseks. Hoidke juhe eemal kuumadest, õlistest kohtadest ning teravatest nurkadest ja liikuvatest detailidest. Vigastatud või sassi läinud juhtmed suurendavad elektrilöögi ohtu.

- Kui kasutate elektrilist tööriista välitingimustes, kasutage selleks spetsiaalselt ettenähtud pikendusjuhet.** Välitingimustes kasutamiseks ettenähtud pikendusjuhtme kasutamine vähendab elektrilöögi ohtu.
- Kui pole võimalik vältida elektritööriista kasutamist niiskes kohas, siis kasutage rikkevoolukaitsega (RCD) elektritoidet.** RCD kasutamine vähendab elektrilöögi ohtu.

### 3) Isiklik ohutus

- Olge tähelepanelik, jälgige mida teete ja olge arukas elektrilise tööriistaga töötades.** Ärge kasutage elektrilist tööriista, kui olete väsinud või uimastite, alkoholi või ravimite mõju all. Elektrilise tööriistaga töötades võib tähelepanu hajumise hetk põhjustada tõsiseid kehalisi vigastusi.
- Kasutage turvavahendeid. Kandke alati silmakaitset.** Sellised kaitsevahendid nagu tolmumask, mittelibisevad turvajalanõud, kaitsekiiver ja kõrvaklapid vähendavad vastavates tingimustes kasutades kehaliste vigastuste ohtu.
- Välitage soovimatu käivitumine.** Jälgige, et lüliti oleks enne vooluringi ühendamist väljalülitatud asendis. Elektritööriistade kandmine sõrm lülilil või sisselülitatud elektritööriistade vooluvõrku ühendamine kutsub esile õnnetusi.
- Eemaldage enne elektrilise tööriista sisselülitamist kõik reglueermisvõtmed ja kruvikeerajad.** Elektrilise tööriista pöörleva osa juurde jäetud kruvikeeraja või võib põhjustada kehalisi vigastusi.
- Ärge küünitage.** Hoidke kogu aeg jalgealne kindel ja tasakaalus. See võimaldab ootamatutes olukordades säilitada elektrilise tööriista üle paremat kontrolli.
- Riietuge õigesti.** Ärge kandke lehvivat riietust ega ehteid. Hoidke juuksed, riided ja kindad liikuvatest osadest kaugel. Lehvivad riided, ehted ja pikad juuksed võivad kinni jääda liikuvate detailide vahele.

- g) Kui seadmed on ette nähtud ühendamiseks tolmueraldajate ja kogumisvahenditega, veenduge, et need oleksid ühendatud ja kasutatud õigesti. Selliste seadmete kasutamine võib vähendada tolmuga seotud ohte.
- h) Hoolimata tööriistade sagedasel kasutamisel omandatud vilumusest ei tohi muutuda lohakaks ja eirata tööohutusnõudeid. Isegi hetkeline hooletus võib lõppeda raskete vigastustega.
- 4) Elektrilise tööriista kasutamine ja hooldus
- a) Ärge koormake elektrilist tööriista üle. Kasutage oma tegevuses õiget elektrilist tööriista. Õige elektriline tööriist teeb töö paremini ja ohutumalt sel tasemel, milleks ta on ettenähtud.
- b) Ärge kasutage elektrilist tööriista juhul, kui lüliti ei lülita seda sisse ega välja. Kõik elektrilised tööriistad, mida ei saa lülitist juhtida, on ohtlikud ja tuleb parandada.
- c) Ühendage pistik toiteallikast lahti enne igasugust reguleerimist, tarvikute vahetamist või elektrilise tööriista hoiustamist. Selline ettevaatusabinõu vähendab elektrilise tööriista ootamatu käivitumise võimalust.
- d) Hoidke parajasti mittekasutatavad elektrilised tööriistad lastele kättesaamatult ja ärge lubage asjatundmatutel isikutel elektrilist tööriista kasutada. Elektrilised tööriistad on kogemusteta kasutajate käes ohtlikud.
- e) Hooldage elektrilisi tööriistu. Kontrollige liikuvate detailide seadistuste õigsust ja kinnikiilumise puudumist, detailide purunemine ja igasugune muu olukord võib mõjutada elektrilise tööriista toimimist. Kui esineb vigastusi, tuleb tööriist parandada enne kasutamist. Paljud õnnetused on põhjustatud puudulikult hooldatud tööriistast.
- f) Hoidke lõikamistöõriistad teravad ja puhtad. Õigesti hooldatud, teravate lõiketeradega tööriistad kiiluvad vähem kinni ja neid on lihtsam kontrollida.
- g) Kasutage elektrilist tööriista, tarvikuid, detaile jne vastavalt juhenditele ja viisil, mis on ette nähtud vastavat tüüpi tööriistale, võttes arvesse töötingimusi ja tehtavat tööd. Elektrilise tööriista kasutamine muul

eesmärgil, kui see on ette nähtud, võib põhjustada ohtlikke olukordi.

- h) Hoidke käepidemed ja haardepinnad kuivad, puhtad ning vabad õlist ja määrest. Libedad käepidemed ja haardepinnad ei võimalda ootamatutes olukordades tööriista ohutult käsitseda ja juhtida.

## 6) Teenindus

- a) Laske elektritööriista hooldada kvalifitseeritud remonditehnikul, kes kasutab ainult identseid varuosi. See tagab elektritööriista jätkuva ohutuse

## Täiendav ohutusteave kolmnurklihvmasina kasutamise kohta



Tolm, mis masina kasutamisel tekib (nt pliivärviga kaetud pindade, puidu ja metalli töötlemisel), võib kokkupuutel või sissehingamisel ohustada teie ja kõrvalseisjate tervist. Kasutage alati vastavaid kaitsevahendeid, näiteks tolmumaski. Kasutage alati nõuetekohast tolmueemaldust.

- Ärge töödelge materjale, mis sisaldavad asbesti. Asbest võib põhjustada pahaloomulisi kasvaja.
- Ärge kasutage masinat magneesiumist detailide töötlemiseks.
- Kasutage kaitseprille. Kasutage kuulmiskaitsevahendeid. Vajadusel kasutage ka muid kaitsevahendeid, näiteks kaitseprille, kaitsejalatseid jne.
- Juhul kui on oht kahjustada tarvikuga varjatud juhtmeid või masina toitejuhet, hoidke kinni masina isoleeritud käepidemetest. Kui tarvik peaks puutama vastu pingestatud juhet, võivad pinge alla sattuda ka masina metallist osad. Elektrilöögioht.
- Olge eriti ettevaatlik värvitud pindade lihvimisel.
- Enne masina kasutamist eemaldage töödeldavast detailist naelad ja muud metallist esemed.
- Veenduge, et töödeldav detail on korralikult toestatud või kinnitatud.
- Kasutage ainult sellele masinale sobivat lihvpaperit.

- Kasutage ainult õige suurusega lihvpaperit. Veenduge, et lihvpaper on korralikult kinnitatud.
- Kontrollige lihvpaperit enne iga kasutuskorda. Ärge kasutage pikaajalisest kasutamisest kulunud lihvpaperit.
- Ärge kunagi asetage töötavat masinat lauale või tööpingile.

### Elektriohutus



*Alati veenduge, et toiteallika pinge vastaks freesi andmesildil toodud pingele.*

- Ärge kasutage freesi, kui selle toitejuhe või pistik on kahjustatud.
- Kui toitejuhe on vaja välja vahetada, tuleb ohutuse tagamiseks lasta seda teha tootjal või volitatud teeninduses.
- Kasutage ainult pikendusjuhtmeid, mis vastavad seadme võimsusklassile ning mille ristlõikepindala on vähemalt 1,5 mm<sup>2</sup>. Kui te kasutate rullile keritud pikendusjuhet, kerige juhe alati täielikult lahti.

### Tehnilised andmed

<b>Model No.</b>	<b>PSM1035</b>
Võrgupinge	230 V~
Võrgusagedus	50 Hz
Sisendvõimsus	130 W
Tühijooksukiirus	13 000 min <sup>-1</sup>
Kaal	0,68 kg

### MÜRA JA VIBRATSIOON

Helirõhk (L <sub>pa</sub> )	76 + 3 dB(A)
Helivõimsus (L <sub>wa</sub> )	87 + 3 dB(A)
Vibratsioon	3,017 + 1,5 m/s <sup>2</sup>



*Kasutage kuulmiskaitsevahendeid.*

### Vibratsioonitase

Käesoleva juhendi tagakaanel nimetatud tekkiva vibratsiooni tase on mõõdetud vastavalt standardis EN 62841-1, EN 62841-2-4 kirjeldatud standarditud testile; seda võib kasutada ühe tööriista võrdlemiseks teisega ja vibratsiooni mõju esialgseks hindamiseks märgitud rakenduste jaoks kasutatavate tööriistade käitamisel:

- elektritööriista tegeliku kasutamise ajal tekkiv vibratsioon võib deklareeritud koguväärtusest erineada – see onoleb tööriista kasutusviisist;

- tuleb kindlaks määrata ohutusmeetmed seadme kasutaja kaitseks, võttes mõju hindamisel arvesse tegelikke kasutustingimusi, arvestades seejuures töötajate kõiki osi (lisaks päästiku allhoidmise ajale ka neid aegu, mil tööriist on välja lülitatud või töötab tühikäigul).

Kaitske ennast vibratsiooni toime eest, hooldades tööriista ja selle tarvikuid, hoides oma käed soojad ja organiseerides hästi oma töövõtteid.

## 2. KIRJELDUS (Joon. A)

### Kasutamine

Seade on mõeldud puidu, plastmassi ja metalli lihvimiseks. See seade sobib ainult kuivlihvimiseks. Seade ei sobi asbesti sisaldavate esemete töötlemiseks. Valesti kasutamine võib lõppeda tööriista kahjustustega.

Tekstis olevad numbrid viitavad joonistele leheküljel 2.

1. Käivituslüüti
2. Käepide
3. Tolmukarp
4. Lihvtald
5. Liivapaber
6. Soon

## 3. OSADE VAHETAMINE



*Enne osade vahetamist lülitage masin alati välja ning eemaldage toitejuhe vooluvõrgust.*

### Tolmukarbi ühendamine (Joon. B)

Seadet tuleb kindlasti kasutada koos tolmu karbiga (3), mis tagab optimaalse tolmu eemalduse.

- Lükake tolmu karbis olev pilu tagumises tolmu väljalaskeavas oleva sälgu kohale.
- Tolmu karbi korralikuks paigaldamiseks lükake seda, kuni kuulete klõpsatust.

*Märkus!* Optimaalse tolmu eemalduse tagamiseks tuleb tolmu karpi tühjendada juba siis, kui see on pooleldi täis.

## Liivapaberi paigaldamine ja eemaldamine (joon. C)

- Hoidke seadet küllili või tagurpidi, nagu näidatud joonisel C.
- Paigaldage liihvtalla (4) külge sobiva jämedusega liivapaber (5). Jälgige, et liivapaberis (5) olevad augud kattuksid liihvtalla (4) aukudega.
- Liivapaberi (5) eemaldamiseks tõmmake see lihtsalt liihvtalla (4) küljest lahti.

*Märkus!* Kareda ja ebaühtlase pinna lihvimiseks kasutage jämedat liivapaberit. Jämedast liivapaberist jäänud kriimustuste eemaldamiseks kasutage keskmise teraga liivapaberit. Pindade lõppviimistlemiseks kasutage peenikest liivapaberit.

## Lihvtalla vahetamine (joon. D)

Kulunud liihvtald tuleb välja vahetada.

- Vajadusel eemaldage lihvpaber.
- Keerake liihvtalla (4) kruvid lahti.
- Eemaldage vana liihvtald.
- Paigaldage uus liihvtald.
- Keerake liihvtalla (4) kruvid kinni.

## 4. KASUTAMINE

### Sisse- ja väljalülitamine (joon. A)

- Masina sisselülitamiseks vajutage käivituslülit (1) asendisse „I“.
- Masina väljalülitamiseks vajutage käivituslülit (1) asendisse „0“.

### Näpunäiteid optimaalseks kasutamiseks

- Hoidke masinat kindlalt käepidemest.
- Lülitage masin sisse.
- Asetage lihvpaberiga liihvtald vastu töödeldavat detaili.
- Lihvtalda tugevalt vastu töödeldavat pinda surudes liikuge masinaga aeglaselt mööda pinda.
- Ärge avaldage masinale liiga suurt survet. Võimaldage masinal vabalt töötada.

## 5. HOOLDUS



*Enne hooldustööde tegemist eemaldage seade alati vooluvõrgust.*

Puhastage seadme korpust korrapäraselt pehme lapiga, soovitatavalt pärast iga kasutuskorda. Veenduge, et ventilatsioonivad ei oleks tolmused ega määrdunud. Tõrksa mustuse eemaldamiseks kasutage seebivahtu ja pehmet lappi. Mingil juhul ei tohi kasutada lahusteid, nagu bensiin, alkohol, nuuskpiiritus vms. Sellised kemikaalid võivad kahjustada sünteetilisi komponente.

## KESKKOND



*Rikkis ja/või kasutatud elektri- ja elektroonikaseadmed tuleb viia vastavasse kogumispunkti.*

### Euroopa Ühenduse riigid

Ärge visake elektritööriistu olmeprügi hulka. Vastavalt Euroopa Parlamendi ja nõukogu direktiivile 2012/19/EU elektri- ja elektroonikaseadmete jäätmete kohta ning vastavalt seda direktiivi rakendavatele riiklikele õigusaktidele tuleb kasutuskõlbatud elektritööriistad koguda teistest jäätmetest eraldi ning kõrvaldada kasutusest keskkonnasõbralikul viisil.

## GARANTII

Tutvuge seadmega kaasas olevate garantiitingimustega.

## ȘLEFUITOR PENTRU DETALII 130W

Vă mulțumim pentru cumpărarea acestui produs Ferm.

Ați achiziționat un produs excelent, fabricat de unul dintre principalii producători din Europa. Toate produsele livrate de Ferm sunt fabricate respectând cele mai înalte standarde de funcționare și de siguranță. De asemenea, asigurăm servicii de asistență excelente și o garanție cuprinzătoare.

Sperăm să utilizați cu plăcere acest produs în anii ce urmează.

### AVERTIZĂRI DE SIGURANȚĂ



**Citiți avertizările de siguranță, avertizările de siguranță suplimentare și instrucțiunile.** Nerespectarea avertizărilor de siguranță poate cauza producerea de electrocutări, incendii și/ sau răni grave. **Păstrați avertizările de siguranță și instrucțiunile pentru consultări ulterioare.**

În manualul de utilizare sau pe produs se utilizează următoarele simboluri:



*Citiți manualul de utilizare.*



*Pericol de rănire personală.*



*Pericol de electrocutare.*



*În cazul în care cablul de alimentare se deteriorează și în timpul procedurilor de curățare și de întreținere deconectați imediat fișa de la priza de rețea.*



*Purtați ochelari de protecție. Purtați protecții antifonice.*



*Purtați o mască antipraf.*



*Izolație dublă.*



*Nu scoateți din uz produsul în containere neadecvate.*



*Produsul este în conformitate cu standardele de siguranță aplicabile din directivele europene.*

### REGULI GENERALE DE PROTECȚIA MUNCII



#### AVERTISMENT!

**Citiți Citiți toate avertizările de siguranță, instrucțiunile, ilustrațiile și specificațiile furnizate împreună cu această unealtă electrică.** Nerespectarea tuturor instrucțiunilor, de mai jos poate duce la electrocutare, incendiu și/sau vătămarea gravă.

#### Păstrați aceste instrucțiuni.

Termenul "sculă electrică" ce apare în toate avertismentele de mai jos se referă la scula electrică alimentată la priză (prin cablu de alimentare) sau la scula electrică alimentată prin acumulatori (fără cablu de alimentare).

#### 1) Spațiul de lucru

- Mențineți spațiul de lucru curat și bine iluminat.** Spațiile de lucru dezordonate și întunecate predispun la accidente.
- Nu utilizați sculele electrice în medii explozive, ca de exemplu în prezența unor materiale inflamabile cum ar fi lichide, gaze sau praf.** Sculele electrice produc scânteii, care pot aprinde praful sau vaporii.
- În timpul lucrului cu o sculă electrică, nu lăsați copiii sau privitorii să se apropie.** Micșorarea atenției vă poate face să pierdeți controlul.

#### 2) Securitatea din punct de vedere electric

- Ștecherile sculelor electrice trebuie să se potrivească în priza de alimentare. Nu modificați ștecherul niciodată și în nici un fel. Nu folosiți ștechere de adaptare pentru sculele electrice cu legare la pământ (împământate). Ștecherele nemodificate și prizele de alimentare corespunzătoare vor reduce riscul de electrocutare.**
- Evitați contactul corporal cu suprafețele împământate, cum ar fi conducte, radiatoare, plite sau frigider. Există un risc**



sporit de electrocutare în cazul în care corpul dumneavoastră este legat la pământ.

- c) **Nu expuneți sculele electrice la ploaie sau la umezeală.** În urma intrării apei într-o sculă electrică va crește riscul de electrocutare.
- d) **Nu forțați cablul de alimentare. Nu folosiți niciodată cablul de alimentare pentru transportul, tragerea sau scoaterea din priză a sculei electrice.** Țineți cablul de alimentare departe de sursele de căldură, petrol, vârfuri ascuțite sau de piese în mișcare. Cablurile de alimentare deteriorate sau încălcite duc la creșterea riscului de electrocutare.
- e) **Atunci când folosiți o sculă electrică în exterior, utilizați un prelungitor corespunzător lucrului în exterior.** Utilizarea unui prelungitor corespunzător lucrului în exterior reduce riscul de electrocutare.
- f) **În cazul în care operarea unei unelte electrice într-un spațiu cu umiditate nu poate fi evitată, utilizați o alimentare cu dispozitiv de protecție la curent rezidual (RCD).** Utilizarea unui dispozitiv RCD reduce riscul electrocutării.

### 3) Securitatea personală

- a) **Atunci când folosiți o sculă electrică fiți concentrat, fiți atent la ceea ce faceți și acționați conform bunului simț. Nu folosiți o sculă electrică atunci când sunteți sub influența drogurilor, alcoolului sau a medicamentelor.** Un moment de neatenție în timpul utilizării sculelor electrice poate duce la vătămări personale grave.
- b) **Utilizați echipamentul de protecție corporală. Folosiți întotdeauna ochelari de protecție. Folosirea echipamentelor de protecție conform condițiilor de lucru, ca de exemplu măști de praf, încălțăminte de protecție anti-alunecare, căști de protecție sau antifoane va reduce vătămările personale.**
- c) **Evitați pornirea accidentală. Înainte de a introduce scula electrică în priză de alimentare, asigurați-vă că aveți comutatorul de acționare în poziția oPRiT (off).** Transportarea uneltelor electrice ținând degetul pe întrerupător sau alimentarea cu tensiune a uneltelor electrice ce au întrerupătorul în poziția pornit înlesnesc producerea
- d) **Înainte de a pune în funcțiune scula electrică, îndepărtați toate penele sau cheile de reglare. O cheie sau o pană care au**

fost lăsate atașate de o parte rotativă a sculei electrice poate duce la vătămări personale.

- e) **Nu vă întindeți pentru a ajunge la punctul de lucru. Mențineți permanent un contact ferm al piciorului și un echilibru stabil. În acest fel puteți controla mai bine scula electrică în situații neprevăzute.**
- f) **Îmbrăcați-vă în mod adecvat. Nu purtați haine largi sau bijuterii. Părul, hainele și mănușile trebuie menținute departe de părțile în mișcare. Hainele largi, părul și bijuteriile pot fi agățate și prinse de părțile în mișcare.**
- g) **Dacă dispozitivele sunt construite pentru a fi conectate la echipamente de extragere și colectare a prafului, asigurați-vă că aceste echipamente sunt conectate și funcționează corect. Folosirea unor astfel de echipamente poate reduce pericolele legate de praf.**
- h) **Nu lăsați ca obișnuința obținută prin utilizarea frecventă a uneltelor să vă permită să deveniți imposibil și să ignorați principiile de siguranță în utilizarea uneltelor. O acțiune neglijentă poate provoca accidente grave într-o fracțiune de secundă.**

### 4) Utilizarea și întreținerea sculei electrice

- a) **Nu forțați scula electrică. Folosiți scula electrică adecvată operațiunii care trebuie efectuată. O sculă electrică adecvată își va efectua mai bine și mai în siguranță sarcina deoarece este folosită la parametrii pentru care a fost proiectată.**
- b) **Nu folosiți scula electrică în cazul în care comutatorul de acționare nu realizează pornirea și oprirea acesteia. Orice sculă electrică ce nu poate fi comandată cu ajutorul comutatorului de acționare este periculoasă și trebuie reparată.**
- c) **Înainte de a efectua orice fel de reglaje, schimbări ale accesoriilor sau pe perioada depozitării sculelor electrice deconectați ștecherul de la sursa de energie electrică. Astfel de măsuri preventive reduc riscul de pornire accidentală a sculei electrice.**
- d) **Nu depozitați sculele electrice neutilizate la îndemâna copiilor și nu permiteți persoanelor care nu sunt familiare cu sculele electrice sau cu prezentele instrucțiuni să le utilizeze. Sculele electrice sunt periculoase atunci când sunt utilizate de către persoane neinstruite.**

- e) **Întrețineți sculele electrice. Verificați alinierea sau prinderea părților în mișcare, verificați componentele sculei pentru a vă asigura că nu sunt sparte și, de asemenea, verificați orice alte situații care ar putea afecta funcționarea sculei electrice. Dacă scula electrică se defectează, reparați-o înainte de a o refolosi. Sculele electrice întreținute necorespunzător duc la producerea multor accidente.**
- f) **Mențineți sculele așchietoare ascuțite și curate. Sculele așchietoare întreținute corespunzător, având muchiile tăietoare ascuțite, se înțepenesc mai greu și sunt mai ușor de controlat.**
- g) **Utilizați sculele electrice, accesoriile și burghiile etc., în conformitate cu prezentele instrucțiuni și în mod corespunzător tipului de sculă electrică utilizat, ținând seama de condițiile de lucru și de sarcina care trebuie efectuată.**  
*Utilizarea unor scule electrice pentru operații diferite de cele pentru care acestea au fost proiectate poate duce la situații periculoase.*
- h) **Țineți mânerul și suprafețele de prindere uscate, curate și lipsite de ulei și unsoare. Mânere și suprafețele de prindere alunecoase nu permit manipularea și controlul uneltei în de siguranță în situații neașteptate.**
- 6) **Service**
- a) **Prevedeți repararea uneltei de lucru de către o persoană calificată, folosind exclusiv piese de schimb identice. Astfel, vă asigurați că este păstrată siguranța uneltei electrice.**

### Avertismente de siguranță suplimentare pentru mașina de șlefuit de tip delta



Contactul cu sau inhalarea prafului eliberat în timpul utilizării (de ex. suprafețe, lemn și metal vopsit cu vopsea pe bază de plumb) poate periclita sănătatea dvs. și a persoanelor din apropiere. Purtați întotdeauna echipament de protecție adecvat, cum ar fi o mască antipraf. Utilizați întotdeauna un sistem adecvat de evacuare a prafului în timpul utilizării.

- Nu prelucrați materiale care conțin azbest. Azbestul este considerat o substanță cancerigenă.
- Nu utilizați mașina pentru șlefuirea pieselor de prelucrat din magneziu.
- Purtați ochelari de protecție. Purtați protecții antifonice. Dacă este necesar, utilizați alte mijloace de protecție, cum ar fi mănuși de protecție, încălțăminte de protecție etc.
- Țineți mașina de suprafețele de prindere izolate acolo unde accesoriul poate atinge cablaje ascunse sau cablul de alimentare. Dacă accesoriul atinge un cablu „sub tensiune”, și părțile metalice expuse ale mașinii se vor afla „sub tensiune”. Pericol de electrocutare.
- Fiți atenți atunci când șlefuiți suprafețele vopsite.
- Înainte de utilizare, îndepărtați toate cuiele și alte obiecte din metal din piesa de prelucrat.
- Asigurați-vă că piesa de prelucrat este corect montată sau fixată.
- Utilizați numai hârtie abrazivă adecvată utilizării cu acest tip de mașină.
- Utilizați numai hârtie abrazivă cu dimensiuni corecte. Asigurați-vă că hârtia abrazivă este montată corect.
- Inspectați hârtia abrazivă înainte de fiecare utilizare. Nu utilizați hârtie abrazivă uzată în urma utilizării prelungite.
- Nu așezați niciodată mașina pe o masă sau pe un banc de lucru înainte de a opri alimentarea electrică.

### Instrucțiuni de siguranță privind alimentarea electrică



Verificați întotdeauna că tensiunea rețelei electrice de alimentare corespunde tensiunii de pe plăcuța indicatoare a caracteristicilor tehnice.

- Nu utilizați mașina în cazul în care cablul de alimentare și/sau fișa acestuia sunt deteriorate.
- Dacă este necesară înlocuirea cablului de alimentare, aceasta trebuie realizată de către producător sau agentul său de reparații pentru a preveni afectarea siguranței.
- Utilizați numai cabluri prelungitoare corespunzătoare puterii nominale a mașinii și cu o grosime minimă de 1,5 mm<sup>2</sup>. Dacă utilizați un cablu prelungitor înfășurat pe un tambur, desfășurați complet cablul.

**Date tehnice**

<b>Model No.</b>	<b>PSM1035</b>
Tensiune rețea	230 V~
Frecvența prizei	50 Hz
Putere de alimentare	130 W
Viteză la funcționare în gol	14.000 min <sup>-1</sup>
Greutatea	0,68 kg
<b>ZGOMOT ȘI VIBRAȚII</b>	
Presiune sonoră (L <sub>pa</sub> )	76 + 3 dB(A)
Putere acustică (L <sub>wa</sub> )	87 + 3 dB(A)
Vibrații	3,017 + 1,5 m/s <sup>2</sup>

Numerele din text se referă la diagramele de la pagina 2.

1. Întrerupător pornit/oprit
2. Mâner
3. Castă de praf
4. Talpă de șlefuire
5. Hârtie abrazivă pentru șlefuit
6. Fantă



Purtați protecții antifonice.

**Nivelul vibrațiilor**

Nivelul emisiilor de vibrații menționat pe spatele acestui manual de instrucțiuni a fost măsurat în conformitate cu un test standardizat precizat în EN 62841-1, EN 62841-2-4; poate fi folosit pentru a compara o sculă cu alta și ca evaluare preliminară a expunerii la vibrații atunci când folosiți scula pentru aplicațiile menționate:

- emisiile de vibrații în timpul utilizării efective a unelei electrice poate diferi de valoarea declarată în funcție de modalitățile de utilizare; și
- trebuie să identifice măsurile de siguranță pentru a proteja operatorul, pe baza unei estimări a expunerii în condițiile reale de utilizare (luând în considerare toate părțile ciclului de operare, cum ar fi momentele în care unealta este oprită și când este inactivă în afară de timpul pentru declanșare).

Protejați-vă împotriva efectelor vibrațiilor prin întreținerea sculei și a accesoriilor sale, păstrând mâinile calde și organizând procesele de lucru

**2. DESCRIERE (FIG. A)****Domeniul de utilizare**

Mașina este proiectată pentru șlefuirea lemnului, materialelor plastice și metalelor. Această mașină este potrivită numai pentru șlefuirea uscată. Mașina nu este potrivită pentru prelucrarea obiectelor care conțin azbest. Utilizarea necorespunzătoare poate deteriora instrumentul.

**3. ASAMBLAREA**

Înainte de asamblare, opriți alimentarea electrică a mașinii și deconectați fișa cablului de alimentare de la priza de rețea.

**Conectarea casetei de praf (Fig. B)**

Este foarte recomandat să folosiți mașina cu caseta de praf (3), asigurând colectarea optimă a prafului.

- Glisați fanta din cutia de praf peste crestătura de la orificiul de evacuare din spate.
- Pentru a vă asigura că caseta de praf este introdusă bine, împingeți caseta de praf până când se aude un zgomot de clic.

Notă: Caseta pentru praf trebuie golită atunci când este pe jumătate plină pentru a menține o colectare optimă de praf.

**Montarea și îndepărtarea hârtiei abrazive pentru șlefuit (Fig. C)**

- Țineți mașina pe lateral sau cu partea de sus în jos, așa cum se arată în Fig. C1.
- Montați hârtia abrazivă pentru șlefuit (5) cu granulația necesară pe talpa de șlefuit (4). Asigurați-vă că perforația de pe hârtia abrazivă pentru șlefuit (5) corespunde cu perforația de pe talpa de șlefuit (4), așa cum se arată în Fig. C2.
- Pentru a îndepărta hârtia abrazivă pentru șlefuit (5), pur și simplu trageți-o de pe talpa de șlefuit (4).

Notă: Folosiți hârtie abrazivă pentru șlefuit grosieră pentru șlefuirea suprafețelor aspre și inegale. Folosiți hârtie abrazivă pentru șlefuit medie pentru a îndepărta zgărieturile rămase de la hârtia abrazivă pentru șlefuit grosieră. Folosiți hârtie abrazivă pentru șlefuit fină pentru finisarea suprafețelor.

### Înlocuirea tălpii de șlefuire (fig. D)

În caz de uzură, talpa de șlefuire trebuie înlocuită.

- Dacă este necesar, îndepărtați hârtia abrazivă.
- Slăbiți șuruburile de pe talpa de șlefuire (4).
- Îndepărtați talpa de șlefuire veche.
- Montați talpa de șlefuire nouă.
- Strângeți șuruburile pe talpa de șlefuire (4).

## 4. UTILIZAREA

### Pornirea și oprirea (fig. A)

- Pentru pornirea mașinii, fixați întrerupătorul pornit/oprit (1) la poziția ,I'.
- Pentru oprirea mașinii, fixați întrerupătorul pornit/oprit (1) la poziția ,0'.

### Sfaturi pentru utilizarea optimă

- Țineți ferm mașina de mâner.
- Porniți mașina.
- Așezați talpa de șlefuire cu hârtia abrazivă pe piesa de prelucrat.
- Deplasați încet mașina peste piesa de prelucrat, apăsând ferm talpa de șlefuire pe piesa de prelucrat.
- Nu aplicați o presiune excesivă asupra mașinii. Lăsați mașina să execute operația.

## 5. ÎNTREȚINEREA



*Deconectați întotdeauna aparatul de la alimentare înainte de a efectua întreținerea.*

Curățați regulat carcasa cu o cârpă moale, de preferat după fiecare utilizare. Curățați fantele de aerisire de praf și murdărie. Îndepărtați murdăria persistentă cu o cârpă moale înmuiată în clăbuci de săpun. Nu folosiți solvenți precum benzină, alcool, amoniac, etc. Astfel de substanțe chimice vor deteriora componentele sintetice.

## MEDIU



*Aparatele electrice sau electronice deteriorate și/sau defecte trebuie colectate în locurile de reciclare corespunzătoare*

### Numai pentru țările din CE

Nu aruncați echipamentele acționate electric împreună cu gunoiul menajer. Conform Indicației europene 2012/19/EU pentru echipamente electrice și electronice uzate și a implementării sale la nivel național, echipamentele acționate electric scoase din uz trebuie colectate separat și evacuate într-o manieră ecologică.

## GARANȚIE

Consultați termenii garanției incluse.

## BRUSILICA ZA DETALJE 130W

Zahvaljujemo na kupnji ovog Ferm proizvoda. Njime ste si osigurali izvrstan proizvod koji vam pruža jedan od europskih vodećih dobavljača. Svi proizvodi koje Vam je isporučio Ferm proizvedeni su prema najvišim izvedbenim i sigurnosnim standardima. Kao dio naše filozofije također pružamo izvrsnu podršku klijentima, koji podržava naše opsežno jamstvo. Nadamo se da ćete uživati u korištenju ovog proizvoda još mnogo godina.

## SIGURNOSNA UPOZORENJA



**Pročitajte priložene sigurnosne upute, dodatna sigurnosna upozorenja i upute.** Propustite li slijediti sigurnosne upute, to može dovesti do strujnog udara, požara i/ili ozbiljnih ozljeda. **Sigurnosna upozorenja i upute zadržite kao buduću referencu.**

U uputama za korištenje ili na proizvodu se koriste slijedeći simboli:



Pročitajte upute za korištenje.



Rizik od ozljeda.



Rizik od strujnog udara.



Odmah uklonite strujni utikač iz glavnog strujnog voda u slučaju da se kabel ošteti ili za vrijeme čišćenja i održavanja.



Nosite zaštitne naočale.  
Nosite štitičke za uši.



Nosite zaštitu od prašine.



Dvostruko izolirano.



Proizvod ne odbacujte u neodgovarajuće kontejnere.



Ovaj proizvod je u skladu sa primjenjivim sigurnosnim standardima u sklopu europskih direktiva.

## OPĆA SIGURNOSNA UPOZORENJA ZA ELEKTRIČNE ALATE



### UPOZORENJE!

**Pročitajte sva sigurnosna upozorenja, upute, slike i specifikacije isporučene uz ovaj električni alat.** Ako ne slijedite sve dolje navedene upute, može doći do strujnog udara, požara i/ili teške ozljede.

Upozorenja i upute čuvajte za buduće potrebe.

Izraz "električni alat" u upozorenjima odnosi se na vaš električni alat napajan iz gradske mreže (sa žicom) ili električni alat napajan baterijom (bez žice).

### 1) Sigurnost radnog prostora

- Radni prostor održavajte čistim i dobro osvijetljenim.** Zakrčeni ili mračni prostori prizivaju nezgode.
- Električne alate nemojte upotrebljavati u eksplozivnom okruženju, primjerice u prisutnosti zapaljivih tekućina, plinova ili prašine.** Električni aparati stvaraju iskre koje mogu zapaliti prašinu ili isparavanja.
- Djecu i druge osobe držite podalje tijekom upotrebe električnih alata.** Zbog odvratanja pozornosti mogli biste izgubiti nadzor nad uređajem.

### 2) Zaštita od električne struje

- Utikači električnih alata moraju odgovarati utičnicama.** Nikad ni na koji način ne prepravljajte utikač. Prilikom upotrebe električnih alata s uzemljenjem ne koristite prilagodne utikače. Neizmijenjeni utikači i odgovarajuće utičnice smanjit će rizik od električnog udara.
- Izbjegavajte fizički dodir s uzemljenim površinama poput cijevi, radijatora, metalnih okvira i hladnjaka.** Postoji povećani rizik od električnog udara ako je vaše tijelo uzemljeno.
- Električne alate ne izlažite kiši ni vlazi.** Prodiranje vode u električni alat povećat će rizik od električnog udara.
- Kabel ne upotrebljavajte za nepredviđene namjene.** Kabel nikad ne upotrebljavajte za nošenje, povlačenje ili odvajanje utikača

- električnog alata iz električne utičnice. Kabel držite podalje od izvora topline, ulja i oštih ili pokretnih dijelova. *Oštećeni ili zapleteni kabel povećat će rizik od električnog udara.*
- e) **Prilikom rada s električnim alatom na otvorenom prostoru upotrijebite produžni kabel koji je za to predviđen.** *Upotreba produžnog kabela koji je pogodan za upotrebu na otvorenom smanjuje rizik od strujnog udara.*
- f) **Ako nije moguće izbjeći upotrebu električnog alata u vlažnim uvjetima, upotrijebite napajanje s diferencijalnom sklopkom za zaštitu od neispravnosti uzemljenja (RCD).** *Upotreba RCD sklopke smanjuje rizik od električnog udara.*
- 3) Osobna sigurnost**
- a) **Budite na oprezu, pazite što radite i primjenjujte zdravorazumski pristup prilikom rada s električnim alatom. Ne koristite električni alat ako ste umorni ili pod utjecajem droga, alkohola ili lijekova.** *Trenutak nepažnje tijekom rada s električnim alatom može dovesti do ozbiljnih ozljeda.*
- b) **Koristite opremu za osobnu zaštitu. Uvijek koristite zaštitu za oči.** *Upotreba zaštitne opreme poput maske protiv prašine, sigurnosnih cipela protiv klizanja, čvrste kape ili zaštite sluha u odgovarajućim uvjetima smanjit će rizik od osobnih ozljeda.*
- c) **Spriječite nepredviđena uključivanja. Prije priključivanja u električnu mrežu ili umetanja akumulatorske baterije, kao i prije uzimanja ili nošenja alata, provjerite je li prekidač u isključenom položaju.** *Nošenje električnog alata pri čemu je prst na prekidaču ili priključivanje električnog alata kojemu je prekidač uključen priziva nezgode.*
- d) **Prije nego uključite električni alat, uklonite s njega sve ključeve za prilagođavanje i sl.** *Ostavljanje ključa na rotirajućem dijelu električnog alata može dovesti do ozljede.*
- e) **Nemojte predaleko posezati. Stalno održavajte ravnotežu i stojte čvrsto na nogama.** *To omogućuje bolju kontrolu električnog alata u neočekivanim situacijama.*
- f) **Pravilno se obucite. Ne nosite široku odjeću ili nakit. Kosu, odjeću i rukavice uvijek držite podalje od pokretnih dijelova.** *Pokretni dijelovi mogu zahvatiti labavo obučenu odjeću, nakit ili dugu kosu.*
- g) **Ako upotrebljavate uređaje za usisavanje i prikupljanje prašine, osigurajte njihovo pravilno povezivanje i upotrebu.** *Upotreba uređaja za prikupljanje prašine može smanjiti opasnosti vezane uz prašinu.*
- h) **Ne dopustite da zbog samopouzdanja stečenog učestalom upotrebom alata zanemarite sigurnosna pravila. Nepažljivo postupanje može uzrokovati ozbiljne ozljede za djelić sekunde.**
- 4) Upotreba i čuvanje električnih alata**
- a) **Električni alat nemojte forsirati. Koristite ispravan električni alat za vašu primjenu.** *Prikladan električni alat bolje će i sigurnije obaviti posao brzinom za koju je predviđen.*
- b) **Ne upotrebljavajte električni alat ako se prekidač ne može prebaciti u isključeni ili uključeni položaj.** *Svaki električni alat kojim se ne može upravljati pomoću prekidača predstavlja opasnost i potrebno ga je popraviti.*
- c) **Prije prilagođavanja, zamjene nastavaka ili pohrane električnog alata isključite utikač iz utičnice ili odvojite akumulatorsku bateriju.** *Te sigurnosne preventivne mjere smanjuju rizik od nehotičnog pokretanja električnog alata.*
- d) **Električne alate koji se ne upotrebljavaju pohranite izvan dohvata djece i ne dopustite osobama koje nisu upoznate s alatom ili ovim uputama da rade s njim.** *Električni alati opasni su u rukama neobučanih korisnika.*
- e) **Električne alate potrebno je održavati. Provjerite ima li kakvih otklona ili savinuća pokretnih dijelova, pucanja dijelova ili kakvih drugih stanja koja mogu utjecati na rad električnog alata.** *Ako je alat oštećen, popravite ga prije upotrebe. Velik broj nezgoda prouzrokovane je loše održanim električnim alatima.*
- f) **Rezne dijelove alata održavajte oštroma i čistima.** *Pravilno održavanje radnih alata s oštrim rubovima smanjuje vjerojatnost njegovog povijanja i lakše je za kontroliranje.*
- g) **Električni alat, pribor, nastavke itd. upotrebljavajte u skladu s ovim uputama te uzimajući u obzir radne uvjete i posao koji je potrebno obaviti.** *Upotreba električnih alata za poslove za koje nije namijenjen može dovesti do opasnih situacija.*
- h) **Ručke i rukohvate održavajte suhima, čistima te bez ulja i masti.** *Klizave ručke i*

rukohvati ne omogućuju sigurnu upotrebu i upravljanje alatom u neočekivanim okolnostima.

## 6) Servisiranje

- a) **Električne alate servisirajte kod kvalificiranog serviseri i upotrebom identičnih zamjenskih dijelova.** Na taj ćete način osigurati sigurnost pri održavanju alata.

## Dodatna sigurnosna upozorenja za delta brusilice



*Dotir s prašinom ili udisanje prašine tijekom upotrebe (npr. na površinama prekrivenim olovnom bojom, na drvetu i metalu) može ugroziti vaše zdravlje i zdravije promatrača. Uvijek nosite odgovarajuću zaštitnu opremu, kao na primjer masku protiv prašine. Uvijek pravilno izvucite prašinu tijekom upotrebe.*

- Nemojte raditi s materijalima koji sadrže azbest. Azbest se smatra kancerogenim.
- Stroj nemojte koristiti za brušenje radnih ploha koje sadrže magnezij.
- Nosite zaštitne naočale. Nosite štitnike za uši. Bude li potrebno, koristite druge mjere zaštite, poput zaštitnih rukavica, sigurnosnih cipela, itd.
- Stroj držite za izolirane prihvatne površine ako pribor može doći u dodir sa skrivenim žicama ili strujnim kabelom. Ako pribor dođe u dodir sa žicom pod naponom, izloženi metalni dijelovi alata također mogu doći pod napon. Rizik od strujnog udara.
- Budite oprezni pri brušenju obojanih površina.
- Prije upotrebe, uklonite sve čavle i druge metalne objekte iz komada koji se obrađuje.
- Provjerite ima li komad koji se obrađuje ispravnu potporu, odnosno je li ispravno učvršćen.
- Koristite samo brusni papir koji je pogodan za upotrebu sa strojem.
- Koristite samo onaj brusni papir koji je ispravnih dimenzija. Provjerite je li brusni papir ispravno postavljen.
- Pregledajte brusni papir prije svake upotrebe. Nemojte koristiti brusni papir koje je istrošen uslijed duge upotrebe.
- Nikada nemojte stroj položiti na stol ili radnu klupu prije nego što ga isključite.

## Sigurnost od električnog udara



*Uvijek provjerite da li voltaža dotoka struje odgovara voltaži označenoj na pločici.*

- Nemojte koristiti stroj ako je strujni kabel ili utikač oštećen.
- Ako je potrebno zamijeniti kabel napajanja, to treba obaviti proizvođač ili njegov predstavnik kako bi se izbjegle opasnosti.
- Koristite samo one produžne kablove koji su pogodni za snagu ovog stroja sa minimalnom debljinom od 1,5 mm<sup>2</sup>. Ako koristite produžni kabel na kotaču, kabel uvijek u potpunosti odmotajte.

## Tehnički podaci

<b>Model No.</b>	<b>PSM1035</b>
Voltaža glavnog strujnog voda	230 V~
Frekvencija glavnog strujnog voda	50 Hz
Ulaz za struju	130 W
Brzina bez opterećenja	14.000 min <sup>-1</sup>
Težina	0,68 kg
<b>BUKA I VIBRACIJE</b>	
Zvučni tlak (L <sub>pa</sub> )	76 + 3 dB(A)
Akustična snaga (L <sub>wa</sub> )	87 + 3 dB(A)
Vibracija	3,017 + 1,5 m/s <sup>2</sup>



*Nosite štitnike za uši.*

## Razina vibracija

Razina emitiranja vibracija navedena na poleđini ovog naputka za uporabu izmjerena je sukladno normiranom testu danom u EN 62841-1, EN 62841-2-4; ona se može koristiti za usporedbu jedne alatke s drugom, te preliminarnu procjenu izloženosti vibracijama pri uporabi alatke za navedene namjene:

- Vibracije tijekom stvarne upotrebe električnog alata mogu se razlikovati od deklarirane ukupne vrijednosti, ovisno o načinima upotrebe alata.
- Potrebno je odrediti sigurnosne mjere zaštite korisnika na temelju procjene izloženosti u stvarnim uvjetima upotrebe (uzimajući u obzir sve dijelove radnog ciklusa, tj. vrijeme tijekom kojeg je alat isključen, vrijeme provedeno u praznom hodu, kao i vrijeme aktivne upotrebe dok je okidač pritisnut).



Zaštitite se od posljedica vibracija održavanjem alatke i njezinih nastavaka, održavanjem Vaših ruku toplima, te organiziranjem Vaših obrazaca rada

## 2. OPIS (SL. A)

### Predviđena upotreba

Uređaj je predviđen brušenje drva, plastike i metala. Ovaj uređaj prikladan je samo za suho brušenje. Uređaj nije prikladan za obradu predmeta koji sadrže azbest. Nepravilna upotreba može oštetiti alat.

Brojevi u tekstu odnose se na prikaze na slici 2.

1. Prekidač za uključivanje/isključivanje
2. Hvat
3. Kutija za prašinu
4. Podloga za brusnu traku
5. Brusni papir
6. Utor

## 3. SASTAVLJANJE



*Prije sastavljanja, uvijek isključite stroj i uklonite strujni utikač iz glavnog voda.*

### Postavljanje kutije za prašinu (sl. B)

Za optimalno prikupljanje prašine snažno preporučujemo upotrebu kutije za prašinu (3).

- Klizno namjestite utor na kutiji za prašinu preko ureza na stražnjem izlaznom otvoru prašine.
- Kako biste osigurali da je kutija za prašinu čvrsto postavljena, pritisnite na kutiju dok se ne začuje klikajući zvuk.

*Napomena:* Kutiju za prašinu treba isprazniti kada je dopola puna kako bi se zadržala optimalna sposobnost prikupljanja prašine.

### Postavljanje i uklanjanje brusnog papira (sl. C)

- Uređaj držite bočno ili preokrenuto, kako je prikazano na sl. C1.
- Postavite brusni papir (5) odgovarajuće granulacije na brusni podložak (4). Provjerite odgovara li perforacija brusnog papira (5) perforaciji brusnog podloška (4).
- Da biste uklonili brusni papir (5), jednostavno ga povucite od brusnog podloška (4).

*Napomena:* Upotrijebite grubi brusni papir za brušenje neravnih površina. Upotrijebite brusni papir srednje granulacije za uklanjanje ogrebotina preostalih od grubog brusnog papira. Za završnu obradu površina upotrijebite fini brusni papir.

### Zamjena podloge za brusni papir (sl. D)

U slučaju istrošenosti, podloga za brusni papir se mora zamijeniti.

- Ako je potrebno, uklonite brusni papir.
- Otpustite vijke na podlozi za brusni papir (4).
- Uklonite staru podlogu za brusni papir.
- Montirajte novu podlogu za brusni papir.
- Zategnite vijke na podlozi za brusni papir (4).

## 4. UPOTREBA

### Uključivanje i isključivanje (sl. A)

- Za uključivanje stroja, prekidač za uključivanje/isključivanje (1) postavite na položaj ,I'.
- Za isključivanje stroja, prekidač za uključivanje/isključivanje (1) postavite na položaj ,0'.

### Savjeti za optimalnu upotrebu

- Stroj čvrsto prihvatite za hvat.
- Uključite stroj.
- Podlogu za brusni papir sa brusnim papirom postavite na radnu plohu.
- Polako strojem prelazite preko radne plohe, snažno pritisajući podlogu za brusni papir na radnu plohu.
- Nemojte koristiti prevelik pritisak na stroj. Dozvolite da stroj obavi svoj posao.

## 5. ODRŽAVANJE



*Uređaj uvijek odspojite od izvora električnog napajanja prije izvođenja bilo kakvih radova održavanja.*

Redovito čistite kućište stroja mekom krpom, po mogućnosti nakon svake uporabe. Osigurajte se da otvori za ventilaciju ne sadrže prašinu i prljavštinu. Uklonite upornu prljavštinu mekom krpom, navlaženom sapunicom. Nemojte koristiti otapala poput benzina, alkohola, amonijaka itd. Takve kemikalije oštećuju sintetske komponente.

## OKOLIŠ



*Neispravni i/ili odbačeni električni ili elektronički uređaji moraju se prikupljati na odgovarajućim lokacijama.*

### Samo za zemlje Europske unije.

Alate nemojte odlagati u kućanski otpad. Prema europskim smjernicama 2012/19/EU za otpadnu električnu i elektroničku opremu i njihovoj primjeni i državnom zakonodavstvu, radni alati koji se više ne koriste moraju se odvojeno sakupiti i odložiti na ekološki prihvatljiv način.

## JAMSTVO

Pročitajte priložene uvjete jamstva.

## TROUGLASTA BRUSILICA GLAČALICA ZA DETALJE 130W

Zahvaljujemo se na kupovini ovog proizvoda. Nabavili ste odličan proizvod od jednog od najvećih evropskih dobavljača. Svi proizvodi koje vam isporuči kompanije Ferm napravljeni su po najvišim standardima vezanim za njihov rad i bezbednost. Naša politika je i da pružamo odličnu uslugu korisnicima, za šta je dokaz i sveobuhvatna garancija koju dajemo. Nadamo se da ćete uživati u korišćenju ovog proizvoda mnogo godina.

## 1. BEZBEDNOSNA UPOZORENJA



**Pročitajte priložena bezbednosna upozorenja, dodatna bezbednosna upozorenja i uputstva.** *Ukoliko se ne pridržavate bezbednosnih upozorenja i uputstava, možete izazvati električni udar, požar i/ili ozbiljne povrede. Sačuvajte bezbednosna upozorenja i uputstva i za slučaj potrebe.*

U priručniku za korisnike ili na proizvodu korišćeni su sledeći simboli:



*Pročitajte priručnik za korisnike.*



*Rizik od povrede.*



*Rizik od strujnog udara.*



*Odmah iskopčajte kabl za napajanje iz utičnice ukoliko se kabl za napajanje ošteti, kao i prilikom čišćenja i održavanja.*



*Nosite zaštitne naočari.  
Nosite štitičke za uši.*



*Nosite zaštitnu masku za nos.*



*Dvostruka izolacija.*



Nemojte bacati ovaj proizvod u neodgovarajuće kante za otpad.



Proizvod je u skladu sa važećim bezbednosnim standardima evropskih direktiva.

## UPUTSTVA ZA BEZBEDNOST



### UPOZORENJE!

**Pročitajte sva upozorenja o bezbednosti, ilustracije i specifikacije koje dolaze uz ovaj električni alat.** Nepridržavanjem svih dole navedenih instrukcija možete prouzrokovati strujni udar, požar i/ili ozbiljne povrede.

Sačuvajte upozorenja i uputstva da bi mogli ponovo da ih pročitate.

Termin „električni alat“ u upozorenjima se odnosi na aparate sa napajanjem iz naponske mreže (žičani) ili na aparate sa akumulatorom (bežični).

### 1) Bezbednost radnog prostora

- Radno mesto da bude čisto i dobro osvetljeno.** Nesredeno ili tamno radno mesto je uzrok za nesreće.
- Nemojte da radite sa alatom u eksplozivnoj atmosferi, kao i u prisustvu zapaljivih tečnosti, gasova ili prašine.** Električni alat stvara varnice koje mogu da upale prašinu ili paru.
- Deca i prisutna lica da budu dalje od električnog alata.** Odvlačenje pažnje može da izazove gubitak kontrole.

### 2) Električna bezbednost

- Priključak električnog alata mora da odgovara priključnici.** Ni u jednom slučaju ne smete da menjate utikač. Ne smete da koristite nikakav adapter za priključivanje uzemljenih električnih alata. Neizmenjeni i odgovarajući priključci smanjuju rizik od strujnog udara.
- Izbegavajte kontakt sa uzemljenim površinama kao što su cevi, radijatori, električni šporeti i frižideri.** Oni povećavaju rizik od strujnog udara ako je vaše telo uzemljeno.
- Ne izlažite električni alat na kišu ili u vlažnu sredinu.** Ako u električni alat uđe voda, povećava se opasnost od električnog udara.
- Ne zloupotrebjavajte kabl.** Ne koristite kabl za nošenje, za vuču alata ili za isključivanje

utikača iz napojne mreže povlačenjem kabla. Čuvajte kabl dalje od toplote, ulja, oštrih rubova ili pokretnih delova. Oštećen ili zamršen kabl povećava rizik od strujnog udara.

- Kada električni alat radi na otvoreno, koristite produžni kabl za rad na otvoreno.** Korišćenjem ovakvog produžnog kabla smanjuje se rizik od strujnog udara.
- Ako ne može da se izbegne rad u vlažnim uslovima, koristite rezidulani momentni uređaj RCD sa zaštitnim naponom.** Korišćenje RCD-a smanjuje rizik od strujnog udara.

### 3) Lična bezbednost

- Budite pažljivi, pazite šta radite i budite obazrivi kada radite sa električnim alatom.** Ne radite sa električnim alatom ako ste umorni ili ste pod dejstvom alkohola ili lekova. Moment nepažnje tokom rada sa električnim alatom, može da izazove ozbiljne povrede.
- Nosite opremu za ličnu zaštitu. Nosite uvek zaštitu za oči!** Zaštitna prema, kao maska za zaštitu od prašine, bezbednosna obuća koja se ne klize, šlem ili zaštita za sluh, koja se upotrebljava na odgovarajući način, smanjuje rizik od povreda.
- Izbegavajte nenamerno startovanje.** Uverite se da je prekidač isključen, pre nego što alat uključite u napojnu mrežu i/ili na akumulator, pre nego što ga uzmete ili pre nego što ga nosite. Nošenje električnog alata sa prstom na prekidaču može da dovede do povreda.
- Uklonite ključeve za podešavanje pre uključivanja alata.** Ključevi koji dodiruju rotirajuće delove električnog alata mogu da izazovu povrede.
- Nemojte da se precenjujete. Imajte sigurnu podlogu i ravnotežu, sve vreme.** Na taj način imaćete bolju kontrolu nad alatom, u neočekivanim situacijama.
- Budite odgovarajuće obučeni.** Ne nosite široku odeću ili nakit. Kosu, odeću i rukavice držite dalje od pokretnih delova. Široka odeća, nakit ili dugačka kosa mogu da budu zahvaćeni od pokretnih delova.
- Ako je aparat predviđen za priključivanje opreme za odvođenje i sakupljanje prašine, uverite se da je oprema ispravno priključena i da se koristi na pravi način.** Korišćenjem sakupljača prašine smanjuje se rizik od opasnosti koje izaziva prašina.

- h) **Držite ručice i površina hvatanja suvim, čistim i bez ulja i masti.** *Klizave ručice i površine hvatanja ne omogućavaju bezbedno rukovanje i kontrolu alata u neočekivanih situacijama.*
- 4) **Korišćenje i briga o električnom alatu**
- a) **Ne forsirajte električni alat.** *Koristite odgovarajući električni alat za posao koji radite. Sa odgovarajućim električnim alatom posao ćete završićete bolje i bezbednije.*
- b) **Ne koristite električni alat sa neispravnim prekidačem.** *Bilo koji električni alat, koji ne može da se kontroliše pomoću prekidača je opasan i mora da se popravi.*
- c) **Isključite utikač iz struje i/ili akumulator iz alata pre podešavanja, menjanja pribora ili pre odlaganja.** *Takve bezbedne mere za bezbednost smanjuju rizik od slučajnog startovanja električnog alata.*
- d) **Električni alati koji se ne koriste, da se čuvaju dalje od dohvata dece i ne dozvoljavajte neobučenom osoblju da rukuje sa električnim alatom.** *Električni alati su opasni u rukama neobučениh korisnika.*
- e) **Održavajte električne alate.** *Proverite neusklađenost ili spajanje pokretnih delova, polomljene delove i bilo koji drugi uslov, koji može da utiče na rad električnog alata. Ako je oštećen, električni alat da se popravi pre upotrebe. Mnogo nesreća je prouzrokovalo loše održavanje električnih alata.*
- f) **Održavajte rezne alate da budu čisti i naoštreni.** *Brižno održavani rezni alati, sa naoštrenim reznim rubovima, manje se lepe i lakše se upravljaju.*
- g) **Koristite električni alat, pribor i alatne umetke u saglasnosti sa ovim uputstvima, uzimajući u obzir uslove i vrstu posla.** *Korišćenje električnoga alata za namene za koje nije konstruisan, dovodi do rizičnih situacija.*
- 6) **Servis**
- a) **Električni alat sme da popravlja kvalifikovano lice, sa korišćenjem identičnih rezervnih delova.** *Na ovaj način se održava bezbednost električnog alata.*

## Dodatna bezbednosna upozorenja za trouglaste brusilice



*Dodir sa prašinom ili udisanje prašine koja se stvara tokom upotrebe (npr. brušenja površina ofarbanih bojom na bazi olova, drveta ili metala) može da ugrozi Vaše zdravlje i zdravlje posmatrača. Uvek nosite odgovarajuću zaštitnu opremu, kao što je maska za prašinu. Tokom upotrebe uvek koristite odgovarajući uređaj za uklanjanje prašine.*

- Ne obrađujte materijale koji sadrže azbest. Smatra se da je azbest kancerogen.
- Ne koristite uređaj za brušenje obradaka od magnezijuma.
- Nosite zaštitne naočari. Nosite štitnike za uši. Ako je potrebno, koristite i druga zaštitna sredstva, kao što su zaštitne rukavice, zaštitne cipele itd.
- Mašinu držite za izolovane površine za hvatanje kada radite na mestima na kojima bi dodatna oprema mogla da dođe u dodir sa skrivenim žicama ili kablovima za napajanje. Ako dodatna oprema dodirne žicu pod naponom, neizolovani metalni delovi uređaja takođe mogu da dobiju napon. Rizik od strujnog udara.
- Budite pažljivi pri brušenju obojenih površina.
- Pre upotrebe uklonite sve eksere i druge metalne predmete sa obratka.
- Proverite da li je obradak pravilno oslonjen ili učvršćen.
- Koristite samo brusni papir koji je predviđen za ovaj uređaj.
- Koristite samo brusni papir odgovarajućih dimenzija. Proverite da li je brusni papir pravilno montiran.
- Pre svake upotrebe pregledajte brusni papir. Ne koristite brusni papir koji je istrošen dugom upotrebom.
- Nikada ne stavljajte uređaj na sto ili radnu površinu pre nego što ga isključite.

## Bezbednost sa strujom



*Uvek proverite da li napon struje odgovara naponu koji je naveden na tipskoj pločici.*

- Nemojte da koristite uređaj ako su kabl za napajanje je ili utičnica oštećeni.

- Ukoliko je potrebno da se zamijeni kabel za napajanje, taj posao mora da obavi proizvođač ili njegov zastupnik kako bi se izbjegla opasnost po bezbjednost.
- Koristite samo one produžne kablove koji su odgovarajući za napon uređaja debljine najmanje 1,5 mm<sup>2</sup>. Ako koristite produžni kabl sa kotura, uvek potpuno odmotajte kabl.

### Tehnički podaci

<b>Model No.</b>	<b>PSM1035</b>
Napon električne mreže	230 V~
Frekvencija električne mreže	50 Hz
Ulazna snaga	130 W
Brzina bez opterećenja	14.000 min <sup>-1</sup>
Težina	0,68 kg
<b>BUKA I VIBRACIJA</b>	
Pritisak zvuka (L <sub>wa</sub> )	76 + 3 dB(A)
Jačina zvuka (L <sub>wa</sub> )	87 + 3 dB(A)
Vibracija	3,017 + 1,5 m/s <sup>2</sup>



Nosite štitnike za uši.

### Nivo vibracija

Nivo emisije vibracija naznačen na poledini ovog uputstva za upotrebu izmeren je u skladu sa standardizovanim testom datim u EN 62841-1, EN 62841-2-4; on se može koristiti za upoređenje jedne alatke sa drugom, kao i za preliminarnu procenu izloženosti vibracijama pri korišćenju ove alatke za pomenute namene:

- vibriranje tokom stvane upotrebe električnog alata može se razlikovati od deklarisanе ukupne vrijednosti u zavisnosti od načina na koji se alat koristi; i
- potrebno je da se utvrde sigurnosne mjere za zaštitu rukovaoca koje su zasnovane na procjeni izlaganja u stvarnim uslovima upotrebe (uzimajući u obzir sve dijelove radnog ciklusa kao što je vrijeme kada je alat isključen i kada radi u praznom hodu, pored vremena aktivacije).

Zaštite se od posledica vibracija održavanjem alatke i njenih nastavaka, održavajući Vaše ruke toplim i organizovanjem Vaših radnih obrazaca

## 2. OPIS (SL. A)

### Namenjena upotreba

Mašina je projektovana za brušenje drveta, plastike i metala. Mašina se može koristiti samo za suvo brušenje. Mašinu ne bi trebalo koristiti za obradu stvari koje sadrže azbest. Nepravilnim korištenjem možete oštetiti alat.

Brojevi u tekstu odnose se na dijagrame na strani 2.

1. Prekidač za uključivanje/isključivanje
2. Ručica
3. Kutija za prašinu
4. Brusna podloga
5. Brusni papir
6. Otvor

## 3. MONTAŽA



Pre montaže uvek isključite uređaj i odvojite kabl za napajanje od utičnice.

### Postavljanje kutije za prašinu (Sl. B)

Preporučljivo je da se mašina koristi sa kutijom za prašinu (3) jer se time obezbeđuje optimalno prikupljanje prašine.

- Navucite otvor na kutiji za prašinu preko udubljenja na otvoru za prašinu sa zadnje strane.
- Kako bi kutija za prašinu bila pravilno postavljena, gurajte kutiju za prašinu dok ne čujete da je kliknula na svoje mjesto.

*Napomena:* Kutiju za prašinu treba isprazniti kada je puna do pola kako bi se prašina i dalje optimalno skupljala.

### Postavljanje i uklanjanje brusnog papira (Sl. C)

- Okrenite mašinu na stranu ili nagore kako je prikazano na sl. C1.
- Postavite brusni papir (5) odgovarajuće granulacije na brusnu podlogu (4). Vodite računa da perforacije na brusnom papiru (5) odgovaraju perforacijama na brusnoj podlozi (4), kako je prikazano na sl. C2.
- Da uklonite brusni papir (5), jednostavno povucite brusni papir sa brusne podloge (4).

*Napomena:* Koristite grub brusni papir za brušenje grubih, neravnih površina. Koristite srednji brusni papir za uklanjanje zaostalih ogrebotina od grubog brusnog papira. Koristite fini brusni papir za završne radove na površini.

#### Zamena brusne podloge (sl. D)

U slučaju istrošenosti, brusna podloga mora da se zameni.

- Ako je neophodno, skinite brusni papir.
- Otpustite zavrtnje sa brusne podloge (4).
- Skinite staru brusnu podlogu.
- Montirajte novu brusnu podlogu.
- Pritegnite zavrtnje na brusnoj podlozi (4).

## 4. UPOTREBA

#### Uključivanje i isključivanje (sl. A)

- Da biste uključili mašinu, postavite prekidač za uključivanje/isključivanje (1) u položaj ,1'.
- Da biste isključili mašinu, postavite prekidač za uključivanje/isključivanje (1) u položaj ,0'.

#### Saveti za optimalnu upotrebu

- Čvrsto držite ručicu uređaja.
- Uključite uređaj.
- Postavite podlogu za brušenje sa brusnim papirom na obradak.
- Polako pomerajte mašinu preko obratka, čvrsto pritiskajući podlogu za brušenje na obradak.
- Ne primenjujte prevelik pritisak na uređaj. Pustite uređaj da sam radi.

## 5. ODRŽAVANJE



*Pre čišćenja i održavanja, uvek isključite mašinu i izvadite akumulator iz mašine.*

Redovno čistite kućište sa mekanom krpom, po mogućnosti posle svake upotrebe. Otvori za ventilaciju da budu oslobođeni od prašine i prljavštine. Uklonite prljavštinu sa mekanom krpom, natopljen u sapunicu. Ne koristite rastvarače kao što je benzin, alkohol, amonijak i dr. hemikalije, jer ćete da oštetite sintetičke komponente.

## ŽIVOTNA SREDINA



*Pokvarene ili odbacene električne ili elektronske aparate treba sakupljati na odgovarajućim lokacijama za recikliranje.*

#### Samo za zemlje iz EU

Ne deponujte alate sa kućnim otpadom. Prema Evropskoj smernici 2012/19 / EC za otpadnu električnu i elektronsku opremu i njenoj primeni u nacionalno pravo, električni alati koji se više ne koriste moraju se prikupljati odvojeno i odlagati na ekološki prihvatljiv način.

## GARANCIJA

Pročitajte priložene uslove garancije.

## ДЕТАЛЬНАЯ ШЛИФОВАЛЬНАЯ МАШИНА 130W

Благодарим вас за приобретение данного изделия Ferm. Теперь есть великолепный инструмент от одного из ведущих европейских поставщиков. Все изделия, которые поставляет вам Ferm, изготовлены в соответствии с высочайшими стандартами в отношении производительности и безопасности. Кроме того, мы предлагаем превосходное обслуживание заказчиков, которое поддерживается нашей комплексной гарантией - это часть нашей философии. Мы надеемся, что вы будете получать удовольствие от работы с этим инструментом в течение многих лет.

### 1. ПРЕДУПРЕЖДЕНИЯ ПО БЕЗОПАСНОМУ ИСПОЛЬЗОВАНИЮ



**Прочтите прилагаемые предупреждения по безопасному использованию, дополнительные предупреждения и инструкции.** Несоблюдение предупреждений по безопасному использованию и инструкций может привести к поражению электрическим током, возгоранию и/или серьезной травме. **Сохраните предупреждения по безопасному использованию и инструкции для обращения к ним в будущем.**

В руководстве или на изделии присутствуют следующие значки:



Прочитайте руководство пользователя.



Риск получения травмы.



Риск поражения электрическим током.



При повреждении сетевого шнура, а также при проведении чистки и технического обслуживания немедленно извлеките вилку сетевого шнура из розетки.



Надевайте защитные очки. Надевайте средства защиты органов слуха.



Надевайте пылезащитную маску.



Двойная изоляция.



Не выбрасывайте изделие в контейнеры, которые для этого не предназначены.



Изделие отвечает требованиям соответствующих стандартов по безопасности, изложенных в директивах ЕС.

### ОБЩИЕ УКАЗАНИЯ ПО ТЕХНИКЕ БЕЗОПАСНОСТИ



**ВНИМАНИЕ!** Прочтите все предупреждения по технике безопасности, инструкции, иллюстрации и спецификации, прилагаемые к данному электроинструменту.

Несоблюдение всех перечисленных ниже инструкций может привести к поражению электрическим током, возгоранию и/или серьезным травмам.

#### Сохраните эту инструкцию.

Термин «электроинструмент» во всех правилах, перечисленных ниже, относится к работающим от сети (со шнуром питания) электроинструментам или действующим от аккумулятора (без шнура питания) электроинструментам.

#### 1) Рабочее место

а) Рабочее место должно быть чистым и хорошо освещённым. Загромождённые и недостаточно освещённые рабочие места способствуют травматизму.



- b) **Не используйте электроинструменты во взрывоопасных условиях, например, вблизи легковоспламеняющихся жидкостей, газов или частиц.** *Во время работы электроинструмента возникают искры, которые могут вызвать воспламенение взрывоопасных частиц.*
- c) **Во время работы с электроинструментом дети и посторонние должны находиться на безопасном расстоянии.** *Отвлекаясь, вы можете потерять контроль над управлением.*
- 2) Электротехническая безопасность**
- a) **Вилка электроинструмента должна точно соответствовать штепсельной розетке. Никогда не вносите изменения в конструкцию вилки. Не используйте переходные устройства для вилок, которые заземляют (замыкают на землю) электроинструменты.** *Не модифицированные вилки и точно соответствующие им штепсельные розетки уменьшают вероятность поражения электрическим током.*
- b) **Не допускайте контакта частей тела с заземлёнными или замкнутыми на землю поверхностями, например, с поверхностью труб, радиаторов, кухонных плит, холодильников.** *Существует повышенная опасность поражения электрическим током, если Ваше тело заземлено или замкнуто на землю.*
- c) **Не оставляйте электроинструменты под дождём или во влажных условиях.** *Вода, попавшая на электроинструмент, повышает вероятность поражения электрическим током.*
- d) **Не нарушайте режим эксплуатации сетевого шнура. Никогда не переносите электроинструмент, держа его за шнур, не дергайте, и не тяните за шнур, чтобы отключить вилку от розетки. Защищайте шнур от источников тепла, масел, предметов с острыми краями или движущимися частями.** *Повреждённые или спутанные шнуры питания повышают вероятность поражения электрическим током.*
- e) **Если электроинструмент используется вне помещений, применяйте только предназначенные для наружных работ удлинители.** *Применение шнуров питания, предназначенных для наружных работ, уменьшает вероятность поражения электрическим током.*
- f) **Если использование электроинструмента в условиях влажной окружающей среды неизбежно, необходимо использовать источник тока, защищённый устройством защитного отключения (УЗО)** *Применение УЗО снижает риск поражения электрическим током.*
- 3) Личная безопасность**
- a) **Будьте внимательны, контролируйте свои действия и руководствуйтесь здравым смыслом при работе с электроинструментом. Не работайте с электроинструментом, если вы устали или находитесь под влиянием наркотиков, алкоголя или медицинских препаратов.** *Потеря внимания при работе с электроинструментом может привести к тяжёлым телесным повреждениям.*
- b) **Используйте средства индивидуальной защиты. Всегда носите защитные очки.** *Использование средств индивидуальной защиты, таких как защитная маска, обувь на нескользящей подошве, защитный шлем или средство защиты органов слуха, - в зависимости от условий работы, снижает риск получения травм.*
- c) **Принимайте меры в целях избежания непреднамеренного запуска.** *Перед подключением электроинструмента к электропитанию и/или к аккумуляторной батарее, когда берете устройство или при его транспортировке убедитесь, что электроинструмент находится в выключенном состоянии. Ношение инструмента с пальцем на выключателе опасно, и может привести к несчастному случаю.*
- d) **Убирайте регулировочные инструменты и гаечные ключи перед включением электроинструмента.** *Гаечный ключ или регулировочный инструмент, оставленные в соединении с вращающимися деталями электроинструмента, могут привести к телесным повреждениям.*

- e) **Не наклоняйтесь чрезмерно. Работайте в безопасной позиции и всё время сохраняйте равновесие.** *Это обеспечит надлежащее управление электроинструментом при неожиданных ситуациях.*
- f) **Одевайтесь надлежащим образом. Не надевайте просторную одежду и ювелирные изделия. Сделайте так, чтобы ваши волосы, одежда и перчатки находились на достаточном расстоянии от движущихся частей.** *Просторная одежда, ювелирные изделия и длинные волосы могут быть захвачены движущимися частями.*
- g) **В случае если предусмотрено подключение пылеулавливающего устройства убедитесь, что оно подсоединено и надёжно работает.** *Использование такого рода устройств уменьшает вред от воздействия пыли.*
- h) **Всегда сохраняйте бдительность и соблюдайте правила техники безопасности при работе с электроинструментом.** *Момент невнимательности может привести к серьёзным травмам.*
- 4) **Использование электроинструмента и уход за ним**
- a) **Не перегружайте электроинструмент. Используйте электроинструмент только по назначению.** *Применение электроинструмента по назначению сделает работу более эффективной и безопасной.*
- b) **Не используйте электроинструмент, если переключатель не устанавливается в положение Вкл. и Выкл.** *Все электроинструменты с вышедшими из строя переключателями представляют потенциальную опасность и должны быть отремонтированы.*
- c) **Перед проведением любых работ по наладке, замене принадлежностей или перед уборкой электроинструментов на хранение следует отключать вилку от источника питания.** *Эти превентивные меры безопасности уменьшают риск непреднамеренного включения электроинструмента.*
- d) **Храните неиспользуемые электроинструменты в недоступном для детей месте, и не доверяйте использование электроинструмента лицам, которые не знакомы с данным электроинструментом и с инструкцией по его применению.** *В руках необученных лиц электроинструменты представляют опасность.*
- e) **Проводите обслуживание электроинструментов. Проверьте синхронность работы взаимодействующих деталей, наличие повреждённых деталей и прочие условия, которые могут повлиять на работу электроинструмента.** *Отремонтируйте повреждённые электроинструменты перед использованием. Большое количество несчастных случаев вызвано плохим обслуживанием электроинструментов.*
- f) **Содержите режущий инструмент острым и чистым.** *Должным образом обслуживаемый режущий инструмент с острыми режущими частями в меньшей степени подвержен заклиниванию, им легче управлять.*
- g) **Используйте электроинструмент, принадлежности, вставные резцы и т.д., в соответствии с этой инструкцией и соответствующим образом для каждого вида электроинструментов, принимая во внимание условия работы и вид выполняемой работы.** *Использование электроинструмента не по назначению может привести к опасным ситуациям.*
- h) **Старайтесь, чтобы рукоятки и поверхности захватывания были чистыми, сухими и незагрязненными маслом или смазкой.** *Скользкие рукоятки и поверхности захватывания не позволяют обеспечить безопасность работы и управления инструментом в непредвиденных ситуациях.*
- 6) **Обслуживание**
- a) **Обслуживание электроинструмента должно выполняться квалифицированным лицом с использованием только оригинальных запасных частей.** *Это обеспечит*

сохранение безопасного использования электроинструмента.

## Дополнительные меры предосторожности для трехгранных шлифовальных станков



*Контакт с высвобождаемой во время работы пылью или ее вдыхание (например, при обработке поверхностей, окрашенных красками содержащими свинец, дерева и металла) может представлять опасность для вашего здоровья и здоровья окружающих. Всегда пользуйтесь соответствующими средствами индивидуальной защиты, например, пылезащитной маской. Во время работы всегда используйте соответствующий пылеотсос.*

- Не работайте с материалами содержащими асбест. Асбест считается канцерогенным.
- Не пользуйтесь машиной для шлифования заготовок из магния.
- Надевайте защитные очки. Надевайте средства защиты органов слуха. При необходимости используйте средства индивидуальной защиты, например, защитные перчатки, защитную обувь и т.п.
- Держите машину за изолированные поверхности захвата, если принадлежность может вступить в контакт со скрытой проводкой или сетевым кабелем. Если принадлежность касается кабеля „под напряжением“, металлические детали машины также становятся деталями „под напряжением“. Риск поражения электрическим током.
- Будьте осторожны при зачистке окрашенных поверхностей.
- Перед использованием машины извлеките все гвозди и другие металлические предметы из заготовки.
- Проверьте чтобы заготовка имела должную опору или была закреплена.
- Применяйте только наждачную бумагу, пригодную для использования с данной машиной.
- Используйте только наждачную бумагу должных размеров. Проверьте, чтобы наждачная бумага была установлена

должным образом.

- Проверяйте состояние наждачной бумаги перед каждым использованием. Не пользуйтесь наждачной бумагой, которая изношена вследствие длительного использования.
- Не ставьте включенную машину на стол или верстак.

### Электробезопасность



*Всегда проверяйте, чтобы напряжение источника питания соответствовало напряжению, указанному на паспортной табличке.*

- Не пользуйтесь машиной с поврежденным сетевым шнуром или вилкой.
- Если необходимо заменить шнур питания, это должен сделать производитель или его представитель, чтобы избежать угрозы безопасности.
- Используйте кабели удлинителей, соответствующие номинальной мощности машины, минимальная толщина кабеля 1,5 мм<sup>2</sup>. При использовании катушки кабеля удлинителя, всегда полностью разворачивайте кабель.

### Технические данные

<b>Model No.</b>	<b>PSM1035</b>
Напряжение сети питания	230 В~
Частота сети питания	50 Гц
Потребляемая мощность	130 Вт
Скорость без нагрузки	14.000 мин <sup>-1</sup>
Вес	0,68 кг
<b>ШУМ И ВИБРАЦИЯ</b>	
Звуковое давление (L <sub>ра</sub> )	76 + 3 дБ (A)
Акустическая мощность (L <sub>вв</sub> )	87 + 3 дБ (A)
Вибрация	3,017 + 1,5 м/с <sup>2</sup>



*Надевайте средства защиты органов слуха.*

### Уровень вибрации

Уровень вибрации, указанный в конце данного руководства по эксплуатации был измерен в соответствии со стандартизированным испытанием, содержащимся в EN 62841-1, EN 62841-2-4; данная характеристика может использоваться для сравнения одного инструмента с другим, а также для

предварительной оценки воздействия вибрации при использовании данного инструмента для указанных целей:

- уровень вибрации при фактическом использовании электроинструмента может отличаться от заявленного значения в зависимости от способов использования инструмента; и
- необходимость определения мер безопасности для защиты оператора, основанных на оценке воздействия в фактических условиях использования (с учетом всех частей рабочего цикла, таких как время, когда инструмент выключен и когда он работает вхолостую, в дополнение к времени срабатывания).

защищайте себя от воздействия вибрации, поддерживая инструмент и его вспомогательные приспособления в исправном состоянии, поддерживая руки в тепле, а также правильно организуя свой рабочий процесс

## 2. ОПИСАНИЕ (РИС. А)

### Использование по назначению

Инструмент предназначен для шлифования дерева, пластмассы и металла. Инструмент предназначен только для сухого шлифования. Инструмент не предназначен для обработки предметов, содержащих асбест. Неправильное использование может повредить инструмент.

Цифры в тексте относятся к схемам на стр. 2.

1. Выключатель вкл./выкл.
2. Ручка
3. Пылесборник
4. Шлифовальная подушка
5. Зажим наждачной бумаги
6. Паз

## 3. СБОРКА



*Перед сборкой всегда выключайте машину и извлекайте вилку сетевого шнура из розетки.*

### Подсоединение пылесборника (рис. В)

Крайне рекомендуется использовать инструмент вместе с пылесборником (3), что обеспечит оптимальный сбор пыли.

- Установите пылесборник пазом на выступ заднего выхода для удаления пыли.
- Чтобы надежно зафиксировать пылесборник, вставляйте его до щелчка.

*Примечание.* Пылесборник следует опорожнять, когда он заполнен наполовину — это позволит сохранить оптимальный объем сбора пыли.

### Установка и снятие шлифовальной бумаги (рис. С)

- Держите инструмент повернутым набок или перевернутым, как показано на рис. С1.
- Установите шлифовальную бумагу (5) нужной зернистости на шлифовальную подошву (4). Убедитесь, что отверстия в шлифовальной бумаге (5) совпадают с отверстиями в шлифовальной подошве (4), как показано на рис. С2.
- Чтобы снять шлифовальную бумагу (5), просто стяните шлифовальную бумагу со шлифовальной подошвы (4).

*Примечание.* Используйте крупнозернистую шлифовальную бумагу для шлифования грубых, неровных поверхностей. Используйте среднезернистую шлифовальную бумагу для удаления царапин, оставшихся после крупнозернистой бумаги. Используйте мелкозернистую шлифовальную бумагу для отделки поверхностей.

### Замена шлифовальной подушки (рис. D)

В случае износа шлифовальная подушка подлежит замене.

- При необходимости снимите наждачную бумагу.
- Ослабьте винты шлифовальной подушки (4).
- Снимите старую шлифовальную подушку.
- Установите новую шлифовальную подушку.
- Затяните винты шлифовальной подушки (4).

## 4. ИСПОЛЬЗОВАНИЕ

### Включение и отключение (рис. А)

- Чтобы включить машину, установите выключатель вкл./выкл. (1) в положение 'I'.
- Чтобы выключить машину, установите выключатель вкл./выкл. (1) в положение '0'.

### Подсказки по оптимальному использованию

- Зажмите заготовку.
- Крепко держите машину обеими руками.
- Включите машину.
- Установите шлифовальную подушку с наждачной бумагой на заготовку.
- Медленно двигайте машину вдоль заготовки, крепко прижимая шлифовальную подушку к заготовке.
- Не нажимайте на машину слишком сильно. Пусть машина работает сама.
- Выключите машину и перед тем, как опустить дождитесь ее полной остановки.

### Только для стран ЕС

Не выбрасывайте электроинструмент вместе с бытовым мусором. В соответствии с Европейским руководством 2012/19/EU по „Утилизации электрического и электронного оборудования“ и национальными законодательными актами электроинструмент, который больше не используется, необходимо собирать отдельно и утилизировать безопасным для окружающей среды образом.

## ГАРАНТИЯ

Обратитесь к прилагаемым условиям гарантии.

## 5. ТЕХНИЧЕСКОЕ ОБСЛУЖИВАНИЕ



*Обязательно отключайте устройство от источника питания перед тем, как приступить к какому-либо техническому обслуживанию.*

### Регулярно очищайте корпус

электроинструмента мягкой тряпкой, желательно, после каждого использования. Убедитесь, что вентиляционные отверстия чисты от пыли и грязи. Для удаления особо сильных загрязнений используйте мягкую тряпку с мыльной пеной. Не используйте растворители, такие как бензин, спирт, аммиак и т. д. Химические вещества повредят синтетические компоненты.

## ОХРАНА ОКРУЖАЮЩЕЙ СРЕДЫ



*Неисправные электрические и электронные изделия необходимо сдавать в соответствующие пункты утилизации.*

## ШЛІФУВАЛЬНА МАШИНА ДЛЯ ОБМЕЖЕНИХ ПОВЕРХОНЬ 130W

Дякуємо вам за купівлю продукту компанії Fern. Здійснюючи купівлю, ви отримуєте відмінний товар від одного з ведучих постачальників у Європі. Усі продукти від компанії Fern виготовлені у відповідності до найвищих стандартів продуктивності та безпеки. Ми надаємо покупцю послуги найвищої якості, засвідчені гарантією на виріб у цілому. Сподіваємось, ви будете користуватися даним продуктом протягом багатьох років.

### 1. ЗАСТЕРЕЖЕННЯ ВІДНОСНО БЕЗПЕКИ



**Прочитайте наведені застереження відносно безпеки, додаткові застереження та рекомендації.**

Невиконання вказівок, наведених у застереженнях відносно безпеки та рекомендаціях, може призвести до ураження електричним струмом, пожежі та/або важкого тілесного uszkodження. **Збережіть застереження відносно безпеки та рекомендації для подальшого використання.**

У посібнику користувача та на продукті застосовуються наступні символи:



Прочитайте посібник користувача.



Небезпека тілесного uszkodження.



Небезпека ураження електричним струмом.



Негайно вийміть штепсель з розетки, якщо uszkodжено кабель живлення, а також під час чищення й технічного обслуговування.



Надягайте захисні окуляри. Надягайте засоби захисту органів слуху.



Користуйтеся пилозахисною маскою.



Подвійна ізоляція.



Забороняється утилізувати продукт невідповідним чином.



Даний продукт відповідає стандартам безпеки, що застосовуються директивами ЄС.

### ЗАГАЛЬНІ ВКАЗІВКИ ЩОДО ТЕХНІКИ БЕЗПЕКИ



#### ПОПЕРЕДЖЕННЯ!

**Прочитайте всі попередження щодо техніки безпеки, інструкції, передивіться ілюстрації та технічні характеристики, що надаються з цим електричним інструментом.** Недотримання усіх перелічених нижче інструкцій може призвести до ураження електричним струмом, пожежі та/або серйозної травми.

#### Зберігайте ці вказівки.

Поняття "інструмент з механічним приводом" у всіх вказівках, наведених нижче, стосується вашого інструменту з механічним приводом, котрий живиться від мережі (через шнур живлення) або інструменту з механічним приводом з живленням від акумулятора (без шнуру живлення).

#### 1) Місце роботи

- a) Підтримуйте чистоту на робочому місці та слідкуйте, щоб воно було добре освітлене. Безладдя та темрява на робочому місці сприяють виникненню нещасних випадків.
- b) **Не експлуатуйте інструменти з механічним приводом у вибухонебезпечній атмосфері, такій, яка містять горючі рідини, гази чи пил.** Інструменти з механічним приводом створюють іскри, котрі можуть підпалити пил випарів.
- c) **При експлуатації інструменту з механічним приводом не підпускайте дітей та глядачів.** Роздратованість може викликати втрату контролю.

## 2) Електрична безпека

- a) **Штепсельні вилки повинні відповідати розеткам. Ніколи і ніяк не змінюйте вилку. Не застосовуйте вилки – перехідники, котрі заземлили інструменти з механічним приводом.** *Вилки без змін та відповідні розетки зменшать ризик удару електричним струмом.*
- b) **Уникайте торкання тілом заземлених поверхонь та поверхонь, що контактують з землею, таких, як труби, батареї центрального опалення, кухонні плити та холодильники.** *Існує підвищений ступінь ризику отримати удар електрострумом, якщо ваше тіло заземлене чи сполучене з землею.*
- c) **Не піддавайте інструменти з механічним приводом дії дощу та не експлуатуйте їх в вологих умовах.** *Вода, потрапляючи всередину інструменту з механічним приводом підвищить ризик удару електрострумом.*
- d) **Не нехуйте правилами експлуатації мережевого шнура. Ніколи не використовуйте шнур для перенесення, притягування пристрою до себе чи виймання штепселя інструменту з механічним приводом з розетки. Тримайте шнур якнайдалі від тепла, масел, гострих країв або рухомих деталей.** *Пошкоджений або залпунаний шнур збільшує ризик удару електричним струмом.*
- e) **При експлуатації інструменту з механічним приводом поза приміщенням використовуйте подовжувальний шнур для використання поза приміщенням.** *Використання шнура, придатного для використання поза приміщенням зменшує ризик удару електричним струмом.*
- f) **Якщо неможливо уникнути використання електричного інструменту у вологому місці, скористайтесь джерелом живлення із пристроєм захисного відключення (ПЗВ).** *Використання ПЗВ зменшує ризик ураження електричним струмом.*
- 3) **Особиста безпека**
- a) **Будьте пильні, дивіться, що ви робите та застосовуйте здоровий глузд при роботі**

з інструментом з механічним приводом. **Не використовуйте інструмент з механічним приводом, якщо ви втомлені або знаходитесь під впливом наркотиків, алкоголю чи медичних препаратів.**

*Неуважність при роботі з інструментом з механічним приводом може призвести до серйозних травм.*

- b) **Використовуйте засоби особистого захисту. Завжди одягайте пристосування для захисту очей.** *Таке захисне оснащення, як протипилова маска, захисне нековзке взуття, жорсткий капелюх або пристосування для захисту органів слуху, якщо його одягати відповідно до умов роботи, зменшить кількість травм у персоналу.*
- c) **Уникайте ненавмисного ввімкнення.** **Перед вставленням штепселя у розетку упевніться, що вимикач у положенні “вимкнено” (off).** *Перенесення електричного інструменту з пальцем на перемикачі або подача напруги на електричний інструмент з перемикачем у ввімкненому положенні може призвести до нещасного випадку.*
- d) **Перед вмиканням інструменту з механічним приводом прибирайте будь-які регулювальні клини та гайкові ключі.** *Залишений під'єднаним до обертових деталей клин або гайковий ключ може викликати травмування персоналу.*
- e) **Не перенапружуйтесь. Постійно тримайтеся належної опори та підтримуйте баланс.** *Це допомагає краще керувати інструментом з механічним приводом у непередбачених ситуаціях.*
- f) **Одягайтесь належним чином. Не носіть просторий одяг та дорогоцінності.** **Тримайте волосся, одяг та рукавички на відстані від рухомих деталей.** *Широкий одяг, дорогоцінності або довге волосся можуть зачепитися за рухомі деталі.*
- g) **Якщо пристрої призначено для з'єднання устаткування для видалення та збирання пилу, упевніться, що вони під'єднані та належним чином використовуються.** *Використання цих пристроїв зменшить ризик виникнення небезпек, пов'язаних з пилом.*
- h) **Навіть якщо у вас великий досвід володіння інструментом і ви впевнено користуєтесь ним під час роботи, не втрачайте пильності та не нехуйте**



**правилами безпеки.** Легковажне ставлення може призвести до серйозних травм навіть за долю секунди.

- 4) Використання інструменту з механічним приводом та догляд за ним**
- a) **Не застосовуйте щодо інструменту надмірне зусилля.** Для своїх потреб використовуйте відповідний інструмент з механічним приводом. Відповідний інструмент з механічним приводом виконає роботу краще та безпечніше у тому темпі, на який його спроектовано.
- b) **Не експлуатуйте інструмент з механічним приводом, якщо вимикач не вмикає та не вимикає його.** Будь-який інструмент з механічним приводом, котрим неможливо керувати вимикачем, є небезпечним і його слід відремонтувати.
- c) **Від'єднайте штепсель від джерела живлення перед тим, як здійснювати будь-які роботи з регулювання, заміни пристосувань або перед зберіганням інструменту з механічним приводом.** Такі запобіжні заходи безпеки зменшують ризик випадкового вмикання інструменту з механічним приводом.
- d) **Зберігайте інструменти з механічним приводом, котрі не експлуатуються, у місцях, недоступних дітям та не дозволяйте особам, не знайомим з інструментом з механічним приводом або цими вказівками керувати інструментом з механічним приводом.** Інструменти з механічним приводом є небезпечними у руках осіб, не навчених роботі з ними.
- e) **Здійснюйте догляд за інструментами з механічним приводом.** Перевіряйте їх на розрегульованість або заїдання рухомих деталей, полумку деталей та інші умови, котрі можуть вплинути на роботу інструментів з механічним приводом. Багато нещасних випадків викликано поганим доглядом за інструментами з механічним приводом.
- f) **Ріжучі інструменти тримайте гострими та чистими.** Якщо належним чином утримувати ріжучі інструменти з гострими ріжучими кромками, то зменшиться вірогідність заїдання та полегшиться управління.

- g) **Використовуйте інструменти з механічним приводом, приладдя, вставні різці відповідно даних вказівок, як призначено для кожного особливого виду інструменту з механічним приводом, беручи до уваги умови роботи та роботу, яку треба виконати.** Використання інструменту з механічним приводом для непередбачених робіт може викликати виникнення небезпечної ситуації.
- h) **Утримуйте поверхні ручок і хапального пристрою сухими та чистими від бруду, масел і жирів.** Якщо поверхня ручок і хапального пристрою слизька, інструментом важко безпечно користуватися та керувати під час несподіваних ситуацій.
- 6) Обслуговування**
- a) **Електричний інструмент повинен обслуговуватися лише кваліфікованими спеціалістами з ремонту з використанням лише ідентичних запасних деталей.** Це гарантуватиме збереження рівня безпеки електричного інструменту.

### Додаткові застереження відносно безпеки при роботі з дельтоподібними шліфувальними інструментами



Контакт з пилом або вдихання пилу, що утворюється в процесі користування (наприклад, поверхні вкриті свинцем, деревина і метал) можуть бути небезпечними для вашого здоров'я і здоров'я присутніх. Завжди надягайте належні захисні засоби, такі як пилозахисна маска. Завжди використовуйте належне видалення пилу під час користування.

- Не працюйте з матеріалами, що містять азбест. Азбест вважається канцерогенною речовиною.
- Не використовуйте інструмент для шліфування магнієвих поверхонь.
- Надягайте захисні окуляри. Надягайте засоби захисту органів слуху. Якщо необхідно, користуйтеся іншими захисними засобами, такими як рукавички, захисне взуття, і т.д.

- Тримайте прилад за ізольовані поверхні для захвату, якщо можливе доторкання комплектуючої до прихованих дротів або кабелів живлення. Якщо комплектуюча потрапляє в контакт з дротом під напругою, відповідні незахищені металеві частини приладу також можуть опинитись під напругою. Небезпека ураження електричним струмом.
- Будьте дуже обережні при шліфуванні фарбованих поверхонь.
- Перед використанням вийміть з заготовки усі цвяхи та інші металеві предмети.
- Переконайтеся, що заготовка правильно зафіксована.
- Використовуйте тільки наждачний папір, що призначений для використання з даним інструментом.
- Використовуйте лише наждачний папір належного розміру. Переконайтеся, що наждачний папір встановлений належним чином.
- Проводьте огляд наждачного папера перед кожним використанням. Не використовуйте наждачний папір, що зносився через тривале використання.
- Перш ніж покласти інструмент на стіл або верстат, обов'язково вимкніть його.

### Правила безпеки при роботі з електричними приладами



*Завжди перевіряйте відповідність напруги джерела живлення наведеному у паспортній таблиці значенню.*

- Забороняється використовувати інструмент з ушкодженим кабелем або штепселем.
- Якщо необхідно замінити кабель живлення, це має зробити виробник або його представник, щоб уникнути загрози безпеці.
- Використовуйте кабель-подовжувач, що задовольняє потужність інструменту, площею перерізу не менше 1,5 мм<sup>2</sup>. Якщо використовується подовжувач барабанного типу, завжди повністю розмотуйте кабель.

### Технічні характеристики

<b>Model No.</b>	<b>PSM1035</b>
Напруга мережі	230 В~
Частота у мережі	50 Гц
Споживання потужності	130 Вт
Частота холостих обертів	14.000 хв-1
Вага	0,68 кг
<b>ШУМ ТА ВІБРАЦІЯ</b>	
Звуковий тиск (L <sub>ра</sub> )	76 + 3 дБ(А)
Потужність звуку (L <sub>wa</sub> )	87 + 3 дБ(А)
Вібрація	3,017 + 1,5 м/с <sup>2</sup>



*Надягайте засоби захисту органів слуху.*

### Рівень вібрації

Рівень вібрації, зазначений в кінці даного посібника з експлуатації, було виміряно у відповідності зі стандартизованим випробуванням, що міститься в EN 62841-1, EN 62841-2-4; дана характеристика може використовуватися для порівняння одного інструмента з іншим, а також для попередньої оцінки впливу вібрації під час застосування даного інструмента для вказаних цілей:

- сила вібрації під час фактичного використання електричного інструменту може відрізнятись від заявленого загального значення в залежності від способів використання інструмента; та
- необхідно визначити заходи безпеки для захисту оператора, які ґрунтуються на оцінці впливу за реальних умов використання (з урахуванням усіх етапів робочого циклу, зокрема часу, коли інструмент був вимкнений і коли він працює в режимі холостого ходу, крім часу запуску).

захищайте себе від впливу вібрації, підтримуючи інструмент і його допоміжні пристосування в справному стані, підтримуючи руки в теплі, а також правильно організовуючи свій робочий процес

## 2. ОПИС (РИС. А)

### Призначення

Ця машинка призначена для шліфування деревини, пластмаси та металу. Ця машинка підходить лише для сухого шліфування. Ця машинка не підходить для обробки предметів, які містять азбест. Неправильне використання може пошкодити інструмент.

Цифри у тексті відповідають діаграмам на сторінці 2.

1. Вимикач
2. Ручка
3. Пилозбірник
4. Тримач наждачного папера
5. Затискач наждачного папера
6. Паз

## 3. ЗБИРАННЯ



*Перед збиранням завжди вимикайте інструмент та виймайте штепсель з розетки.*

### Під'єднання пилозбірника (рис. В)

Наполегливо рекомендується використовувати машинку з пилозбірником (3), який забезпечує оптимальне збирання пилу.

- Встановіть отвір у пилозбірнику над жолобом на задній поверхні вихідного отвору для пилу.
- Щоб надійно вставити пилозбірник, натисніть на нього, доки не почуєте звук клацання.

*Примітка.* Для ефективного збирання пилу пилозбірник слід спорожнювати, коли він заповнений на половину.

### Закріплення та знімання наждачного паперу (рис. С)

- Тримайте машинку горизонтально на боковій поверхні або поверніть підшовою догори, як показано на рис. С1.
- Закріпіть наждачний папір потрібної зернистості (5) на підшві шліфувальної машинки (5). Пересвідчіться, що отвори в наждачному папері (5) збігаються з

отворами в підшві шліфувальної машинки (4), як показано на рис. С2.

- Щоб зняти наждачний папір (8), просто потягніть за нього в напрямку від підшови (4).

*Примітка.* Для шліфування грубих, нерівних поверхонь використовуйте наждачний папір з великим розміром зерна. Щоб прибрати подряпини після наждачного паперу з великим розміром зерна, використовуйте наждачний папір середньої зернистості. Для фінішної обробки поверхонь використовуйте наждачний папір з дрібним розміром зерна.

### Заміна тримача наждачного папера (рис. D)

Якщо тримач наждачного папера зносився, його потрібно замінити.

- Якщо необхідно, зніміть наждачний папір.
- Послабте гвинти на тримачі наждачного папера (4).
- Зніміть старий тримач наждачного папера.
- Встановіть новий тримач наждачного папера.
- Затягніть гвинти на тримачі наждачного папера (4).

## 4. ВИКОРИСТАННЯ

### Вмикання та вимикання (рис. А)

- Щоб ввімкнути інструмент, встановіть вимикач (1) в положення ,I'.
- Щоб вимкнути інструмент, встановіть вимикач (1) в положення ,0'.

### Поради з використання

- Завжди тримайте прилад за ручку.
- Ввімкніть інструмент.
- Поставте тримач наждачного папера з наждачним папером на заготовку.
- Повільно рухайте інструмент вздовж поверхні заготовки, щільно притискаючи тримач наждачного папера до заготовки.
- Не тисніть на інструмент занадто сильно. Дайте інструменту виконати роботу.

## 5. ΤΕΧΝΙΚΗ ΟΒΣΛΟΥΓΟΥΑΝΝΑ



*Περεδ οχισηννιαν τα τεχνιχιαν οβσλουγουαννιαν ζαυδι βιμικαιτε μασηну та виймайте з неї акумулятору та батареу.*

Регулярно чистіть корпус акумуляторної батареї м'якою тканиною, бажано після кожного використання. Переконайтесь, що у вентиляційних отворах немає пилу та бруду. Видаліть дуже стійкі забруднення м'якою тканиною, змоченою мильною водою. Не використовуйте розчинники, такі як бензин, спирт, аміак тощо. Такі хімічні речовини можуть пошкодити синтетичні компоненти.

## СЕРЕДОВИЩЕ



*Ποηκοδνηи та/або забракований електричний або електронний апарат потрібно помістити у відповідне місце для утилізації відходів.*

### Тільки для країн ЄС

Заборонається викидати електроінструменти у побутові відходи. Відповідно до Директиви ЄС 2012/19/EU про відходи електричного і електронного обладнання і її застосування до національних законів, електроінструменти, що не підлягають подальшому використанню, необхідно збирати окремо і утилізувати шляхом екологічно нешкідливої переробки.

## ΓΑΡΑΝΤΙΑ

Консультація відносно термінів у доданій гарантії.

## ΛΕΙΑΝΤ'ΗΡΑΣ ΛΕΠΤΟΜΕΡΕΙΩΝ 130W

Σας ευχαριστούμε που επιλέξατε να αγοράσετε αυτό το προϊόν της Ferm. Τώρα πλέον διαθέτουμε ένα εξαιρετικό προϊόν, κατασκευασμένο από έναν από τους μεγαλύτερους προμηθευτές της Ευρώπης. Όλα τα προϊόντα που προμηθεύεστε από τη Ferm κατασκευάζονται σύμφωνα με τα υψηλότερα πρότυπα απόδοσης και ασφάλειας. Ως μέρος της φιλοσοφίας μας, παρέχουμε επίσης άριστη εξυπηρέτηση πελατών, συνοδευόμενη από την πλήρη εγγύησή μας. Ελπίζουμε ότι θα μείνετε ευχαριστημένοι από τη χρήση αυτού του προϊόντος για πολλά χρόνια.

## 1. ΠΡΟΕΙΔΟΠΟΙΗΣΕΙΣ ΑΣΦΑΛΕΙΑΣ



**Μελετήστε τις εσώκλειστες προειδοποιήσεις σχετικά με την ασφάλεια, τις πρόσθετες προειδοποιήσεις σχετικά με την ασφάλεια, καθώς και τις οδηγίες. Η μη τήρηση των προειδοποιήσεων ασφαλείας και των οδηγιών μπορεί να προκαλέσει ηλεκτροπληξία, πυρκαγιά ή/και σοβαρές σωματικές βλάβες. Φυλάξτε τις προειδοποιήσεις σχετικά με την ασφάλεια και τις οδηγίες για μελλοντική αναφορά.**

Τα ακόλουθα σύμβολα χρησιμοποιούνται στο εγχειρίδιο χρήσης ή επάνω στο προϊόν:



Διαβάστε το εγχειρίδιο χρήσης.



Κίνδυνος σωματικής βλάβης.



Κίνδυνος ηλεκτροπληξίας.



Αφαιρέστε αμέσως το βύσμα από την πρίζα εάν προκληθεί βλάβη στο καλώδιο ρεύματος, καθώς και κατά τον καθαρισμό και τη συντήρηση.



Φοράτε προστατευτικά γυαλιά. Φοράτε προστατευτικά ακοής.



Φοράτε μάσκα σκόνης.



Διπλά μονωμένο.



Μην απορρίπτετε το προϊόν σε ακατάλληλα δοχεία.



Το προϊόν συμμορφώνεται με τα ισχύοντα πρότυπα ασφαλείας των Ευρωπαϊκών οδηγιών.

## Ενικί καντίνες αζφαλαίας



### Προειδοποίηση!

**Διαβάστε όλες τις προειδοποιήσεις ασφαλείας, οδηγίες, απεικονίσεις και προδιαγραφές που παρέχονται με το παρόν ηλεκτρικό εργαλείο.** Η μη τήρηση όλων των οδηγιών που αναφέρονται παρακάτω μπορεί να έχει ως αποτέλεσμα ηλεκτροπληξία, φωτιά και/ή σοβαρό τραυματισμό.

### Φυλαξτε αυτεστις οδηγίες.

Ο φίρος Ήλεκτρικί εργαλείοΜ σε φίλες τις παρακάτω προειδοποιήσεις αναφέρεται στο ηλεκτρικί σας εργαλείο που τροφοδοτείται μέσω του ηλεκτρικού δικτύου (με καλώδιο) ή με μπαταρίες (ασύρματο).

### 1) Χώρος εργασίας

- a) Φροντίστε να υπάρχει καθαριότητα και επαρκής φωτισμός στον χώρο εργασίας. Σε ακατάστατους και σκοτεινούς χώρους υπάρχει αυξημένος κίνδυνος ατυχήματος.
- b) Μην χρησιμοποιείτε ηλεκτρικά εργαλεία σε χώρους βίπου υπάρχει κίνδυνος έκρηξης, για παράδειγμα σε μέρη βίπου υπάρχουν εύφλεκτα υγρά, αέρια ή σκίνες. Τα ηλεκτρικά εργαλεία δημιουργούν σπινθήρες που θα μπορούσαν να αναφλέξουν τις σκίνες ή τα αέρια.
- c) Κρατάτε σε απίσταση τα παιδιά και τους άλλους παρευρισκόμενους κατά τη χρήση ηλεκτρικών εργαλείων. Αν αποσπαστεί η προσοχή σας, υπάρχει κίνδυνος να χάσετε τον έλεγχο του εργαλείου.

### 2) Ηλεκτρική ασφάλεια

- a) Τα φίς των ηλεκτρικών εργαλείων θα πρέπει να είναι κατάλληλα για την πρίζα που χρησιμοποιείται. Μην τροποποιείτε ποτέ το φίς με οποιονδήποτε τρήπιπο. Μην χρησιμοποιείτε θύσματα προσωρογής φίταν

χρησιμοποιείτε γειωμένα ηλεκτρικά εργαλεία. Η χρήση μη τροποποιημένων φίς και κατάλληλων πριζών μειώνει τον κίνδυνο ηλεκτροπληξίας.

- b) Αποφεύγετε την επαφή του σώματίς σας με γειωμένες επιφάνειες βίπως σωλήνες, καλοριφέρ, ηλεκτρικές κουζίνες και ψυγεία. Υπάρχει αυξημένος κίνδυνος ηλεκτροπληξίας φίταν το σώμα σας έρχεται σε επαφή με γειωμένες επιφάνειες.
- c) Μην εκθέτετε τα ηλεκτρικά εργαλεία σε βροχή ή σε υγρές συνθήκες. Όταν εισχωρήσει νερί στο ηλεκτρικί εργαλείο υπάρχει αυξημένος κίνδυνος ηλεκτροπληξίας.
- d) Μην κάνετε λανθασμένη χρήση του καλώδιου. Μην χρησιμοποιείτε ποτέ το καλώδιο για να κουβαλάτε ή να σέρνετε το ηλεκτρικί εργαλείο, ή για να το αποσυνδέετε απτί το ρεύμα. Κρατάτε το καλώδιο μακριά απτί θερμότητα, λάδια, αιχμηρά άκρα ή κινούμενα μέρη του εργαλείου. Αν τα καλώδια τυλιχτούν ή υποστούν βλάβη ή φθορά, υπάρχει αυξημένος κίνδυνος ηλεκτροπληξίας.
- e) Όταν χρησιμοποιείτε ένα ηλεκτρικί εργαλείο στο ύπαιθρο, χρησιμοποιήστε μια προέκταση καλώδιου κατάλληλη για χρήση σε εξωτερικούς χώρους. Η χρήση εντίς καλώδιου που είναι κατάλληλο για χρήση σε εξωτερικούς χώρους μειώνει τον κίνδυνο ηλεκτροπληξίας.
- f) Αν είναι αναπόφευκτη η χρήση ηλεκτρικού εργαλείου σε τοποθεσία με υψηλή υγρασία, χρησιμοποιήστε παροχή που προστατεύεται από διάταξη προστασίας ρεύματος διαρροής (RCD). Η χρήση διάταξης RCD μειώνει τον κίνδυνο ηλεκτροπληξίας.

### 3) Προσωπική ασφάλεια

- a) Θα πρέπει να είστε συγκεντρωμένοι, να δίνετε προσοχή στις εργασίες που εκτελείτε και να ακολουθείτε τη κοινή λογική φίταν χρησιμοποιείτε ένα ηλεκτρικί εργαλείο. Μην χρησιμοποιείτε το ηλεκτρικί εργαλείο φίταν είστε κουρασμένοι ή φίταν βρίσκεστε υπτί την επήρεια ναρκωτικών, αλκοφίλ ή φαρμάκων. Μια στιγμή απροσεξίας κατά τη χρήση εντίς ηλεκτρικού εργαλείου θα μπορούσε να έχει σαν αποτέλεσμα σοβαρούς τραυματισμούς.

- b) **Χρησιμοποιήστε ατομικό εξοπλισμό προστασίας. Φοράτε πάντοτε γυαλιά ασφαλείας.** Προστατευτικά μέσα, όπως μια μάσκα σκίνης, αντιολισθητικά παπούτσια, ένα κράνος ή ωτοασπίδες, θα μειώσουν τους τραυματισμούς, εφίσον χρησιμοποιούνται κάτω απ' τις κατάλληλες συνθήκες.
- c) **Αποτρέψτε την αθέλητη εκκίνηση. Βεβαιωθείτε ότι ο διακίπτης είναι απενεργοποιημένος πριν συνδέσετε το φις στην πρίζα.** Η μεταφορά ηλεκτρικών εργαλείων με το δάκτυλο πάνω στο διακόπτη ή η τροφοδότηση με ρεύμα ηλεκτρικών εργαλείων που έχουν ενεργοποιημένο το διακόπτη είναι ενέργειες που προκαλούν ατυχήματα.
- d) **Αφαιρέστε κάθε κλειδί ρύθμισης ή μηχανικό κλειδί πριν ενεργοποιήσετε το ηλεκτρικό εργαλείο.** Αν ένα μηχανικό κλειδί ή κλειδί ρύθμισης ξεχαστεί συνδεδεμένο σε περιστρεφόμενο εξάρτημα του ηλεκτρικού εργαλείου, αυτό μπορεί να έχει ως αποτέλεσμα τραυματισμό ατόμων.
- e) **Μην τεντώνετε υπερβολικά. Διατηρείτε πάντα σταθερή στήριξη στα πόδια σας και καλή ισορροπία.** Έτσι μπορείτε να έχετε καλύτερο έλεγχο του ηλεκτρικού εργαλείου σε μη αναμενόμενες καταστάσεις.
- f) **Φοράτε κατάλληλο ρουχισμό. Μη φοράτε ρούχα με χαλαρή εφαρμογή ή κοσμήματα. Κρατάτε τα μαλλιά, τα ρούχα και τα γάντια σας μακριά από κινούμενα μέρη.** Τα χαλαρά ρούχα, τα κοσμήματα και τα μακριά μαλλιά μπορούν να πιαστούν σε κινούμενα μέρη.
- g) **Αν παρέχονται διατάξεις για τη σύνδεση συστημάτων απομάκρυνσης και συλλογής της σκόνης, βεβαιωθείτε ότι αυτές συνδέονται και χρησιμοποιούνται κατάλληλα.** Η χρήση συλλογής σκόνης μπορεί να μειώσει τους κινδύνους που συνδέονται με τη σκόνη.
- h) **Μην αφήνετε την εξοικείωση που έχετε αποκτήσει από τη συχνή χρήση εργαλείων να σας επιτρέψει να εφησυχάσετε και να αγνοήσετε τις αρχές ασφαλούς χρήσης των εργαλείων.** Μια απρόσπεκτη ενέργεια μπορεί να προκαλέσει βαρύ τραυματισμό μέσα σε κλάσματα του δευτερολέπτου.
- 4) **Χρήση και συντήρηση ηλεκτρικών εργαλείων**
- a) **Μη ζορίζετε το ηλεκτρικό εργαλείο. Χρησιμοποιήστε το κατάλληλο ηλεκτρικό εργαλείο για την εργασία που εκτελείτε.** Το σωστό εργαλείο θα κάνει τη δουλειά αποτελεσματικότερα και με μεγαλύτερη ασφάλεια, στην ταχύτητα για την οποία είναι σχεδιασμένο.
- b) **Μη χρησιμοποιείτε το ηλεκτρικό εργαλείο όταν δεν λειτουργεί σωστά ο διακίπτης.** Κάθε ηλεκτρικό εργαλείο που δεν μπορεί να ελεγχθεί μέσω του διακίπτη είναι επικίνδυνο και θα πρέπει να επισκευαστεί.
- c) **Βγάλετε το φις απ' την πρίζα πριν κάνετε οποιαδήποτε προσαρμογή ή αλλαγή εξαρτήματος, ή πριν αποθηκεύσετε το ηλεκτρικό εργαλείο.** Αυτά τα προληπτικά μέτρα ασφαλείας μειώνουν τον κίνδυνο τυχαίας εκκίνησης του ηλεκτρικού εργαλείου.
- d) **Αποθηκεύετε τα ηλεκτρικά εργαλεία που δεν χρησιμοποιούνται μακριά απ' παιδιά και μην αφήνετε άτομα που δεν γνωρίζουν το ηλεκτρικό εργαλείο ή αυτές τις οδηγίες να χρησιμοποιήσουν το εργαλείο.** Τα ηλεκτρικά εργαλεία είναι επικίνδυνα όταν βρίσκονται στα χέρια μη εκπαιδευμένων χρηστών.
- e) **Συντηρείτε τα ηλεκτρικά εργαλεία. Ελέγξτε για λανθασμένη ευθυγράμμιση ή μπλοκάρισμα των κινούμενων μερών, για βλάβες στα εξαρτήματα ή για άλλες καταστάσεις που θα μπορούσαν να επηρεάσουν τη λειτουργία του ηλεκτρικού εργαλείου. Αν παρουσιάζει βλάβη, δώστε το ηλεκτρικό εργαλείο για επισκευή πριν το χρησιμοποιήσετε ξανά.** Πολλά ατυχήματα προκαλούνται απ' ανεπαρκώς συντηρημένα ηλεκτρικά εργαλεία.
- f) **Κρατάτε τα κοπτικά εργαλεία αιχμηρά και καθαρά.** Κοπτικά εργαλεία τα οποία συντηρούνται σωστά και έχουν αιχμηρά κοπτικά άκρα δεν μπλοκάρουν τόσο γρήγορα και ελέγχονται με μεγαλύτερη ευκολία.
- g) **Χρησιμοποιήστε το ηλεκτρικό εργαλείο, τα αξεσουάρ και τα άκρα (τριπάνια, λεπίδες κ.λπ.) σύμφωνα με αυτές τις οδηγίες και για τον σκοπό για τον οποίο προορίζεται το συγκεκριμένο εργαλείο, λαμβάνοντας υπ' όψιν τις συνθήκες εργασίας και τις εκτελούμενες εργασίες.** Η χρήση του ηλεκτρικού εργαλείου για σκοπούς για τους οποίους δεν έχει



σχεδιαστεί ενδέχεται να δημιουργήσει επικίνδυνες καταστάσεις.

- h) **Διατηρείτε τις λαβές και τις επιφάνειες κρατήματος στεγνές, καθαρές και απαλλαγμένες από λάδι και γράσο.** Οι ολισθηρές λαβές και επιφάνειες κρατήματος δεν επιτρέπουν τον ασφαλή χειρισμό και έλεγχο του εργαλείου σε μη αναμενόμενες καταστάσεις.

## 6) Σέρβις

- a) **Αναθέστε το σέρβις του ηλεκτρικού εργαλείου σας σε εξειδικευμένο τεχνικό επισκευών που χρησιμοποιεί μόνο ανταλλακτικά ακριβώς ίδια με τα αρχικά.** Έτσι θα διασφαλιστεί ότι διατηρείται η ασφάλεια του ηλεκτρικού εργαλείου.

## Πρόσθετες προειδοποιήσεις ασφαλείας για τριβεία δέλτα



Η επαφή ή η εισπνοή σκόνης που αιωρείται ελεύθερα κατά τη χρήση (π.χ. επιφανειών ξύλου και μετάλλου βαμμένων με μόλυβδο) μπορεί να θέσει σε κίνδυνο την υγεία σας καθώς και των παρευρισκομένων. Πρέπει πάντοτε να φοράτε κατάλληλο προστατευτικό εξοπλισμό, όπως η μάσκα σκόνης. Πρέπει πάντοτε να χρησιμοποιείτε κατάλληλη διάταξη εξαγωγής σκόνης κατά τη χρήση.

- Μην εργάζεστε με υλικά που περιέχουν αμίαντο. Ο αμίαντος θεωρείται καρκινογόνος.
- Μη χρησιμοποιείτε το μηχάνημα για τη λείανση αντικειμένων επεξεργασίας με μαγνήσιο.
- Φοράτε προστατευτικά γυαλιά. Φοράτε προστατευτικά ακοής. Εάν απαιτείται, χρησιμοποιείτε άλλα προστατευτικά μέσα, όπως γάντια ασφαλείας, υποδήματα ασφαλείας κ.λπ.
- Κρατάτε το μηχάνημα από τις μονωμένες λαβές εκεί όπου το εξάρτημα ενδέχεται να έρθει σε επαφή με κρυμμένα σύρματα ή το καλώδιο ρεύματος. Εάν το εξάρτημα έρθει σε επαφή με σύρμα που φέρει ηλεκτρικό ρεύμα, τα εκτεθειμένα μεταλλικά τμήματα του μηχανήματος μπορούν επίσης να καταστούν ηλεκτροφόρα. Κίνδυνος ηλεκτροπληξίας.
- Να είστε ιδιαίτερα προσεκτικοί όταν λειανείτε βαμμένες επιφάνειες.

- Πριν από τη χρήση, αφαιρέστε όλα τα καρφιά και λοιπά μεταλλικά αντικείμενα από το αντικείμενο επεξεργασίας.
- Βεβαιωθείτε ότι το τεμάχιο εργασίας στηρίζεται ή είναι στερεωμένο σωστά.
- Χρησιμοποιείτε μόνο γυαλόχαρτο το οποίο είναι κατάλληλο για χρήση με το μηχάνημα.
- Χρησιμοποιείτε μόνο γυαλόχαρτο με τις σωστές διαστάσεις. Βεβαιωθείτε ότι το γυαλόχαρτο είναι σωστά προσαρτημένο.
- Επιθεωρείτε το γυαλόχαρτο πριν από κάθε χρήση. Μη χρησιμοποιείτε γυαλόχαρτο το οποίο έχει φθαρεί από την παρατεταμένη χρήση.
- Μην τοποθετείτε ποτέ το μηχάνημα επάνω σε τραπέζι ή πάγκο εργασίας πριν την απενεργοποίησή του.

## Ηλεκτρολογική ασφάλεια



Ελέγχετε πάντοτε ότι η τάση παροχής του δικτύου συμφωνεί με την τάση στην ετικέτα χαρακτηριστικών.

- Μη χρησιμοποιείτε το μηχάνημα εάν το καλώδιο ρεύματος ή το βύσμα τροφοδοσίας είναι κατεστραμμένα.
- Αν απαιτείται αντικατάσταση του καλωδίου ρεύματος, αυτή πρέπει να γίνει από τον κατασκευαστή ή τον αντιπρόσωπό του, για αποφυγή κινδύνων για την ασφάλεια.
- Χρησιμοποιείτε μόνο καλώδια επέκτασης τα οποία είναι κατάλληλα για την ονομαστική ισχύ του μηχανήματος και με ελάχιστο πάχος 1,5 mm<sup>2</sup>. Εάν χρησιμοποιείτε καρούλι για το καλώδιο επέκτασης, ξεδιπλώνετε πάντοτε πλήρως το καλώδιο.

## Τεχνικά χαρακτηριστικά

<b>Model No.</b>	<b>PSM1035</b>
Τάση δικτύου	230 V~
Συχνότητα δικτύου	50 Hz
Ισχύς εισόδου	130 W
Ταχύτητα χωρίς φορτίο	14.000 min-1
Βάρος	0,68 kg
<b>ΘΟΡΥΒΟΣ ΚΑΙ ΔΟΝΗΣΕΙΣ</b>	
Ακουστική πίεση (L <sub>pa</sub> )	76 + 3 dB(A)
Ακουστική ισχύς (L <sub>wa</sub> )	87 + 3 dB(A)
Δόνηση	3,017 + 1,5 m/s <sup>2</sup>



Φοράτε προστατευτικά ακοής.



## Επίπεδο κραδασμών

Το επίπεδο παραγωγής κραδασμών πω αναγράφεται στ πίσω μέρος του παρόντος εγχειριδίου οδηγιών έχει μετρηθεί σύμφωνα με μια τυποποιημένη δκιμή που αναφέρεται στο πόρτυπο EN 62841-1, EN 62841-2-4 - μπορεί να χρησιμοποιηθεί για τη σύγκριση ενός εργαλείου με ένα άλλο, καθώς και ως προκαταρκτική αξιολόγηση της έκθεσης στους κραδασμούς όταν το εργαλείο χρησιμοποιείται για τις εφαρμογές που αναφέρονται:

- στην πράξη, η τιμή εκπομπής κραδασμών κατά την χρήση του ηλεκτρικού εργαλείου μπορεί να διαφέρει από την τιμή που δηλώθηκε, ανάλογα με τον τρόπο που χρησιμοποιείται το εργαλείο και
- χρειάζεται να προσδιοριστούν μέτρα ασφαλείας για προστασία του χειριστή τα οποία βασίζονται σε μια εκτίμηση της έκθεσης στις πραγματικές συνθήκες χρήσης (λαμβάνοντας υπόψη όλα τα επί μέρους τμήματα του κύκλου λειτουργίας, όπως τα χρονικά διαστήματα που το εργαλείο είναι απενεργοποιημένο και αυτά όπου το εργαλείο λειτουργεί χωρίς φορτίο επιπλέον του χρόνου πίεσης της σκανδάλης).

! προστατευτείτε απο τις επιδράσεις των κραδασμών συντηρώντας σωστά το εργαλείο και τα εξαρτήματά τΰυ, διατηρώντας τα χέρια σας ζεστά και οργανώνοντας τον τρόπο εργασίας σας

## 2. ΠΕΡΙΓΡΑΦΗ (ΕΙΚ. Α)

### Προβλεπόμενη χρήση

Το μηχάνημα έχει σχεδιαστεί για γυαλόχαρτιμα ξύλου, πλαστικών και μετάλλων. Αυτό το μηχάνημα είναι κατάλληλο μόνο για στεγνό γυαλόχαρτιμα. Το μηχάνημα δεν είναι κατάλληλο για επεξεργασία αντικειμένων που περιέχουν αμιαντο. Τυχόν ακατάλληλη χρήση θα προκαλέσει ζημιά στο εργαλείο.

Οι αριθμοί στο κείμενο αναφέρονται στα διαγράμματα στη σελίδα 2.

1. Διακόπτης ενεργοποίησης/απενεργοποίησης
2. Λαβή
3. Συλλέκτης σκόνης
4. Πλάκα λείανσης
5. Γυαλόχαρτο
6. Υποδοχή

## 3. ΣΥΝΑΡΜΟΛΟΓΗΣΗ



*Πριν από τη συναρμολόγηση, πρέπει πάντοτε να απενεργοποιείτε το μηχάνημα και να αφαιρείτε το βύσμα τροφοδοσίας από το ρεύμα.*

### Σύνδεση του συλλέκτη σκόνης (Εικ. Β)

Συνιστάται θερμά να χρησιμοποιείτε το μηχάνημα σε συνδυασμό με τον συλλέκτη σκόνης (3) ώστε να διασφαλίζεται η καλύτερη δυνατή περισυλλογή της σκόνης.

- Περάστε την εγκοπή στον συλλέκτη σκόνης πάνω στην προεξοχή στην πίσω έξοδο σκόνης.
- Για να διασφαλίσετε ότι ο συλλέκτης σκόνης έχει εισαχθεί σωστά, στρώξτε τον συλλέκτη σκόνης μέχρι να ακούσετε χαρακτηριστικό ήχο κλικ.

*Σημείωση:* Πρέπει να αδειάζετε τον συλλέκτη σκόνης όταν έχει γεμίσει μέχρι τη μέση, για να διατηρείτε τη βέλτιστη ικανότητα συλλογής της σκόνης.

### Τοποθέτηση και αφαίρεση γυαλόχαρτου (Εικ. C)

- Κρατήστε το μηχάνημα στο πλάι του ή ανάποδα, όπως δείχνει η Εικ. C1.
- Τοποθετήστε το γυαλόχαρτο (5) με το απαιτούμενο μέγεθος κόκκων πάνω στο πέλημα γυαλοχαρτίσματος (4). Βεβαιωθείτε ότι οι οπές στο γυαλόχαρτο (5) συμπίπτουν με τις οπές στο πέλημα γυαλοχαρτίσματος (4).
- Για να αφαιρέσετε το γυαλόχαρτο (5), απλά τραβήξτε το από το πέλημα γυαλοχαρτίσματος (4).

*Σημείωση:* Χρησιμοποιείτε χοντρό γυαλόχαρτο για να γυαλοχαρτίσετε τραχιές, ανομοιόμορφες επιφάνειες. Χρησιμοποιείτε μέτριο γυαλόχαρτο για να αφαιρέσετε τις χαραζιές που άφησε το χοντρό γυαλόχαρτο. Χρησιμοποιείτε ψιλό γυαλόχαρτο για το φινιρίσμα των επιφανειών.

### Αντικατάσταση της πλάκας λείανσης (εικ. D)

Σε περίπτωση φθοράς, η πλάκα λείανσης πρέπει να αντικατασταθεί.

- Εάν χρειαστεί, αφαιρέστε το γυαλόχαρτο.
- Χαλαρώστε τις βίδες από τη πλάκα λείανσης (4).
- Αφαιρέστε τη παλιά πλάκα λείανσης.
- Τοποθετήστε τη νέα πλάκα λείανσης.
- Σφίξτε τις βίδες στη πλάκα λείανσης (4).

## 4. ΧΡΗΣΗ

### Ενεργοποίηση και απενεργοποίηση (εικ. Α)

- Για να ενεργοποιήσετε το μηχάνημα, θέστε το διακόπτη ενεργοποίησης/απενεργοποίησης (1) στη θέση 'I'.
- Για να απενεργοποιήσετε το μηχάνημα, θέστε το διακόπτη ενεργοποίησης/απενεργοποίησης (1) στη θέση '0'.

### Συμβουλές για βέλτιστη χρήση

- Κρατήστε το μηχάνημα από τη λαβή.
- Ενεργοποιήστε το μηχάνημα.
- Τοποθετήστε την πλάκα λείανσης με το γυαλόχαρτο επάνω στο αντικείμενο επεξεργασίας.
- Κινήστε αργά το μηχάνημα στην επιφάνεια του αντικειμένου επεξεργασίας, πιέζοντας σταθερά το γυαλόχαρτο επάνω στην επιφάνεια.
- Μην εφαρμόζετε υπερβολικά μεγάλη πίεση στο μηχάνημα. Αφήστε το μηχάνημα να κάνει τη δουλειά.

## 5. ΣΥΝΤΗΡΗΣΗ



*Πριν τον καθαρισμό και τη συντήρηση, πάντα να απενεργοποιείτε το μηχάνημα και να αφαιρείτε το πακέτο μπαταρίας από το μηχάνημα.*

Καθαρίζετε τα περιβλήματα του μηχανήματος τακτικά με ένα μαλακό πανί, κατά προτίμηση μετά από κάθε χρήση. Να βεβαιώνετε ότι τα ανοίγματα αερισμού είναι ελεύθερα από σκόνη και ακαθαρσίες. Αφαιρείτε κάθε επίμονη ακαθαρσία με τη χρήση ενός μαλακού πανιού που το έχετε υγράνει με σαπυνοδιάλυμα. Μην χρησιμοποιείτε οποιονδήποτε διαλύτη όπως βενζίνη, οινόπνευμα, αμμωνία κλπ. Τα χημικά αυτού του είδους θα προξενήσουν ζημιά στα συνθετικά εξαρτήματα.

## ΠΕΡΙΒΑΛΛΟΝ



*Ο ηλεκτρικός ή ηλεκτρονικός εξοπλισμός που παρουσιάζει βλάβη ή έχει φθάσει στο τέλος της ωφέλιμης ζωής του πρέπει να παραδίδεται στις κατάλληλες τοποθεσίες ανακύκλωσης.*

### Μόνο για χώρες ΕΚ

Μην απορρίπτετε τα ηλεκτρικά εργαλεία στα οικιακά απορρίμματα. Σύμφωνα με την Ευρωπαϊκή οδηγία 2012/19/ΕΚ περί αποβλήτων ηλεκτρικού και ηλεκτρονικού εξοπλισμού και την εφαρμογή του στο εθνικό δίκαιο, τα ηλεκτρικά εργαλεία που δεν μπορούν να χρησιμοποιηθούν πλέον πρέπει να συλλέγονται ξεχωριστά και να απορρίπτονται με τρόπο φιλικό προς το περιβάλλον.

## ΕΓΓΥΗΣΗ

Συμβουλευτείτε τους όρους εγγύησης που εσωκλείονται στη συσκευασία.

## ДЕЛТАШЛАЙФ 130W

Благодарим Ви за покупката на този продукт на Ferm.

Закупувайки го, Вие ставате притежател на отличен продукт, доставен от един от водещите европейски доставчици. Всички доставени от Ferm продукти са произведени в съответствие с най-високите стандарти за производителност и безопасност. Като част от нашата философия ние предоставяме и отлично клиентско обслужване, подкрепено от обхватната ни гаранция. Надяваме се, че ще се наслаждавате на използването на този продукт в продължение на много години.



Носете маска против прах.



Двойна изолация.



Не изхвърляйте продукта в неподходящи контейнери.



Този продукт отговаря на приложимите стандарти за безопасност в европейските директиви.

### ПРЕДУПРЕЖДЕНИЯ ЗА БЕЗОПАСНОСТ



**Прочетете приложените предупреждения за безопасност, допълнителните предупреждения за безопасност, както и инструкциите за работа.**

Неспазването на предупрежденията за безопасност и инструкциите за работа може да доведе до токов удар, пожар и/или сериозно нараняване. **Запазете ги за бъдеща справка.**

Следните символи са използвани в ръководството за работа или върху продукта:



Прочетете ръководството за работа.



Опасност от нараняване.



Опасност от токов удар.



Извадете незабавно щепсела от контакта при повреда в електрическия кабел, както и при почистване и извършване на поддръжка.



Носете защитни ръкавици.  
Носете антифон.



#### ВНИМАНИЕ!

Прочетете всички предупреждения за безопасност, инструкции, илюстрации и спецификации, предоставени с този електроинструмент. Неспазването на всички инструкции, изброени по-долу, може да доведе до токов удар, пожар и/или сериозно нараняване.

**Съхранявайте тези указания на сигурно място.** Използваният по-долу термин "електроинструмент" се отнася до захранвани от електрическата мрежа електроинструменти (със захранващ кабел).

- 1) **Безопасност на работното място**
  - a) **Поддържайте работното си място чисто и подредено.** Безпорядъкът или недостатъчното осветление могат да спомогнат за възникването на трудова злополука.
  - b) **Не работете с електроинструмента в среда с повишена опасност от възникване на експлозия, в близост до леснозапалими течности, газове или прахообразни материали.** По време на работа в електроинструментите се отделят искри, които могат да възпламенят прахообразни материали или пари.
  - c) **Дръжте деца и странични лица на безопасно разстояние, докато работите с електроинструмента.** Ако вниманието Ви бъде отклонено, може да загубите контрола над електроинструмента.

- 2) **Безопасност при работа с електрически ток**
- a) **Щепселът на електроинструмента трябва да е подходящ за ползвания контакт. В никакъв случай не се допуска изменение на конструкцията на щепсела. Когато работите със занулени електроуреди, не използвайте адаптери за щепсела.**  
*Ползването на оригинални щепсели и контакти намалява риска от възникване на токов удар.*
  - b) **Избягвайте допира на тялото Ви до заземени тела, напр. тръби, отоплителни уреди, пещи и хладилници. Когато тялото Ви е заземено, рискът от възникване на токов удар е по-голям.**
  - c) **Предпазвайте електроинструмента си от дъжд и влага. Проникването на вода в електроинструмента повишава опасността от токов удар.**
  - d) **Не използвайте захранващия кабел за цели, за които той не е предвиден, напр. за да носите електроинструмента за кабела или да извадите щепсела от контакта.**  
*Предпазвайте кабела от нагриване, омасляване, допир до остри ръбове или до подвижни звена на машини. Повредени или усукани кабели увеличават риска от възникване на токов удар.*
  - e) **Когато работите с електроинструмент навън, използвайте само удължителни кабели, предназначени за работа на открито.**  
*Използването на удължител, предназначен за работа на открито, намалява риска от възникване на токов удар.*
  - f) **Ако работата с електроинструмента във влажна среда е неизбежна, използвайте захранване с дефектнотоковата защита (ДТЗ)(RCD).**  
*Използването на RCD намалява риска от електричен удар.*
- 3) **Безопасен начин на работа**
- a) **Бъдете концентрирани, следете внимателно действията си и постъпвайте предпазливо и разумно. Не използвайте електроинструмента, когато сте уморени или под влиянието на наркотични вещества, алкохол или упойващи лекарства. Един миг разсеяност при работа с електроинструмент може да има за последствие изключително тежки наранявания.**
  - b) **Използвайте оборудване за лична защита. Работете с предпазващо работно облекло и винаги с предпазни очила.**  
*Носенето на подходящи за ползвания електроинструмент и извършваната дейност лични предпазни средства, като дихателна маска, здрави плътнотворени обувки със стабилен грайфер, защитна каска или шумозаглушители (антифони), намалява риска от възникване на трудова злополука.*
  - c) **Предотвратяване на случайно задействане. Преди да включите щепсела в захранващата мрежа, се уверявайте, че пусковият прекъсвач е в положение изключено.**  
*Носенето на електроинструмент с пръста на преключвателя, или захранването на електроинструменти, чиито ключ е на позиция ВКЛ. са предпоставка за трудова злополука.*
  - d) **Преди да включите електроинструмента, се уверявайте, че сте отстранили от него всички помощни инструменти и гаечни ключове.**  
*Помощен инструмент, забравен на въртящо се звено, може да причини травми.*
  - e) **Не надценявайте възможностите си. Работете в стабилно положение на тялото и във всеки момент поддържайте равновесие.**  
*Така ще можете да контролирате електроинструмента по-добре и по-безопасно, ако възникне неочаквана ситуация.*
  - f) **Работете с подходящо облекло. Не работете с широки дрехи или украшения. Дръжте косата си, дрехите и ръкавици на безопасно разстояние от въртящи се звена на електроинструментите.**  
*Широките дрехи, украшенията, дългите коси могат да бъдат захванати и увлечени от въртящи се звена.*
  - g) **Ако е възможно използването на външна аспирационна система, се уверявайте, че тя е включена и функционира изправно.**  
*Използването на аспирационна система намалява рисковете, дължащи се на отделящата се при работа прах.*
  - h) **Не допускайте самочувствието, придобито от познанията ви, получени от честото използване на инструменти, да стане пречка при спазване на принципите за безопасност на инструментите.**  
*Едно необмислено действие може да причини тежки наранявания за части от секундата.*

- 4) **Внимателно отношение към електроинструменти**
- a) **Не претоварвайте електроинструмента. Използвайте електроинструментите само съобразно тяхното предназначение.** *Ще работите по-добре и по-безопасно, когато използвате подходящия електроинструмент в зададения от производителя диапазон на натоварване.*
- b) **Не използвайте електроинструмент, чиито пусков прекъсвач е повреден.** *Електроинструмент, който не може да бъде изключван и включван по предвидения от производителя начин, е опасен и трябва да бъде ремонтиран.*
- c) **Преди да промените настройките на електроинструмента, да замените работни инструменти и допълнителни приспособления, както и когато продължително време няма да използвате електроинструмента, изключвайте щепсела от захранващата мрежа.** *Тази мярка премахва опасността от задействане на електроинструмента по невнимание.*
- d) **Съхранявайте електроинструментите на места, където не могат да бъдат достигнати от деца. Не допускате те да бъдат използвани от лица, които не са запознати с начина на работа с тях и не са прочели тези инструкции.** *Когато са в ръцете на неопитни потребители, електроинструментите могат да бъдат изключително опасни.*
- e) **Поддържайте електроинструментите си грижливо. Проверявайте дали подвижните звена функционират безукорно, дали не заклинват, дали има счупени или повредени детайли, които нарушават или изменят функциите на електроинструмента. Преди да използвате електроинструмента, се погрижете повредените детайли да бъдат ремонтирани.** *Много от трудовите злополуки се дължат на недобре поддържани електроинструменти и уреди.*
- f) **Поддържайте режещите инструменти винаги добре заточени и чисти.** *Добре поддържаните режещи инструменти с остри ръбове оказват по-малко съпротивление и се водят по-леко.*
- g) **Използвайте електроинструментите, допълнителните приспособления, работните инструменти и т.н., съобразно инструкциите на производителя. С дейности и процедури, евентуално предписани от различни нормативни документи. Използването на електроинструменти за различни от предвидените от производителя приложения повишава опасността от възникване на трудови злополуки.**
- h) **Поддържайте дръжките и захващащите повърхности сухи и чисти от масло и грес.** *Хлъзгавите дръжки и захващащи повърхности пречат на безопасното боравене и управление на инструмента при неочаквани ситуации.*
- б) **Техническо обслужване**
- a. **Носете електроинструмента си на сервиз при квалифицирано сервизно лице, което използва само оригинални резервни части.** *Това ще гарантира безопасността на електроинструмента.*

### Допълнителни предупреждения за безопасност при работа с делташлайфове



*Контакт с или вдишване на прах, образуван по време на работа (напр. повърхности, боядисани със съдържащи олово бои, дърво и метал) могат да застрашат здравето Ви и това на стоящите наблизо хора. Винаги носете подходящо защитно оборудване като маска срещу прах. Винаги използвайте подходящо средство за извличане на прах по време на работа.*

- Не работете с материали, съдържащи азбест. Азбестът се счита за канцерогенен.
- Не използвайте уреда за шлифоване на магнезиеви детайли.
- Носете защитни ръкавици. Носете антифон. При нужда използвайте защитни средства като защитни ръкавици, защитни обувки и т.н.
- При работа с машината на места, където има опасност приспособлението да засегне скрит кабел, дръжте машината за изолираните повърхности. Контактът с проводник, по който тече ток, може да

доведе до протичането му по металните части на машината. Опасност от токов удар.

- Бъдете много внимателни, когато шлифовате боядисани повърхности.
- Преди да преминете към работа, отстранете всички гвоздеи и други метални предмети от обработвания детайл.
- Уверете се, че обработваният детайл е подпрян или застопорен правилно.
- Използвайте само шкурка, подходяща за работа с машината.
- Използвайте само шкурка с правилните размери. Уверете се, че шкурката е правилно монтирана.
- Проверявайте шкурката преди всяка употреба. Не използвайте шкурка, износена от продължителна употреба.
- Никога не слагайте машината на маса или работен тезгях, преди да сте я изключили.

#### Електрическа безопасност



*Винаги проверявайте дали напрежението на електрическата мрежа отговаря на посоченото върху табелката с основните характеристики на уреда.*

- Не използвайте машината, ако електрическият кабел или щепселът са повредени.
- Ако е необходима подмяна на захранващия кабел, това трябва да се направи от производителя или неговият представител, за да се избегне опасност от злополуки.
- Използвайте само удължителни кабели, подходящи за мощността на машината и с минимална дебелина от 1,5 mm<sup>2</sup>. При използване на макара винаги развивайте кабела изцяло.

#### Технически данни

<b>Model No.</b>	<b>PSM1035</b>
Напрежение на електрическата мрежа	230 V~
Честота на електрическата мрежа	50 Hz
Входна мощност	130 W
Скорост на въртене на празен ход	14.000 min <sup>-1</sup>
Тегло	0,68 kg
<b>ШУМ И ВИБРАЦИИ</b>	
Звуково налягане (L <sub>pa</sub> )	76 + 3 dB(A)
Звукова мощност (L <sub>wa</sub> )	87 + 3 dB(A)
Вибрации	3,017 + 1,5 m/s <sup>2</sup>



*Носете антифон.*

#### Ниво на вибрации

Нивото на предадените вибрации, отбелязано на гърба на това ръководство за експлоатация е измерено в съответствие със стандартизирания тест, определен в EN 62841-1, EN 62841-2-4; то може да се използва за сравнение на един инструмент с друг и като предварителна оценка на подлагането на вибрации при използването на инструмента за посочените приложения

- вибрационните емисии по време на действителната употреба на електроинструмента могат да се различават от обявената обща стойност в зависимост от начините, по които се използва инструментът;
- необходимост от определяне на мерки за безопасност за защита на оператора, които се основават на оценка на експозицията в действителните условия на употреба (като се вземат предвид всички части от работния цикъл, като например времето, когато инструментът е изключен и когато работи на празен ход в допълнение към времето за задействане).

предпазвайте се от ефектите от вибрациите, като поддържате инструмента и аксесоарите му, пазите ръцете си топли и организирате вашите модели на работ

## 2. ОПИСАНИЕ (ФИГ. А)

#### Предназначение

Машината е проектирана за шлайфане на дърво, пластмаси и метал. Тази машина е подходяща само за сухо шлайфане. Машината не е подходяща за обработка на предмети, съдържащи азбест. Неправилната употреба може да повреди инструмента.

Цифрите в текста се отнасят до диаграмите на стр. 2.

1. Превключвател за включване/изключване
2. Ръкохватка
3. Кутия за прах
4. Подложка за шкурката
5. Шлифовъчна хартия
6. Прорез

### 3. СГЛОБЯВАНЕ



*Преди да пристъпите към сглобяване, винаги изключвайте машината и изваждайте щепсела от контакта.*

#### Свързване на кутията за прах (Фиг. В)

Препоръчителна е употребата на машината заедно с кутия за прах (3), която осигурява оптимално събиране на прахта.

- Плъзнете прореза в кутията за прах върху вдлъбнатината на задния отвор за прахта.
- За да е сигурно, че кутията за прах е вкарана надеждно, натиснете кутията за прах, докато не се чуе щракване.

*Забележка:* С оглед поддържане на оптимално събиране на прахта кутията за прах следва да се изпразни, когато кутията е наполовина пълна.

#### Монтиране и отстраняване на шлифовъчна хартия (Фиг. С)

- Машината се поставя на една страна или обърната на обратно, както е показано на Фиг. С1.
- Върху подложката за шлифовъчната хартия се монтира шлифовъчна хартия (5) с желания размер на зърната (4). Трябва да е сигурно, че перфорацията по шлифовъчната хартия (5) съответства на перфорацията на подложката (4) както е показано на Фиг. С2.
- Шлифовъчната хартия (5) се отстранява с просто издърпване на хартията от подложката (4).

*Забележка:* За грубо шлифоване на груби и неравни повърхности се използва груба шлифовъчна хартия. За останалите от грубата шлифовъчна хартия драскотини се

използва средно груба шлифовъчна хартия. За довършване на повърхностите се използва фина шлифовъчна хартия.

#### Подмяна на подложката за шкурката (фиг. D)

В случай на износване трябва да смените подложката за шкурката.

- При нужда извадете шкурката.
- Развийте винтовете от подложката за шкурката (4).
- Извадете старата подложка за шкурката.
- Монтирайте новата подложка за шкурката.
- Затегнете винтовете към подложката за шкурката (4).

### 4. УПОТРЕБА

#### Включване и изключване (фиг. А)

- За включване на машината сложете превключвателя за включване/изключване (1) на позиция ‚I‘.
- За изключване на машината сложете превключвателя за включване/изключване (1) на позиция ‚0‘.

#### Съвети за оптимална работа

- Дръжте здраво машината за ръкохватката.
- Включете машината
- Поставете подложката за шкурката с шкурката върху обработвания детайл.
- Движете бавно машината по обработвания детайл, като натискате здраво подложката за шкурката към обработвания детайл.
- Не упражнявайте твърде голям натиск върху машината. Оставете машината да си върши работата.

### 5. ТЕХНИЧЕСКО ОБСЛУЖВАНЕ



*Преди провеждане на профилактика машината задължително се изключва от електрозахранването.*

Машините са проектирани да работят за дълъг период от време с минимална поддръжка. Непрекъснато задоволителна работа зависи от правилното обслужване на машината и редовното почистване.



## ОКОЛНА СРЕДА



Прочетете приложените гаранционни условия.

### Само за страните от ЕС

Не изхвърляйте електрически инструменти заедно с домакински отпадъци. Съгласно Европейската директива 2012/19/EU относно излязло от употреба електрическо и електронно оборудване и прилагането ѝ в националните законодателства, неизползваемите електроинструменти следва да се изхвърлят разделно и по безопасен за околната среда начин.

## ГАРАНЦИЯ

Прочетете приложените гаранционни условия.

## Аداة السنفرة الدقيقة 130 وات

شكرًا لك على شراء منتج Ferm هذا. ويقامك بعملية الشراء هذه، تمتلك الآن منتجًا ممتازًا مقدمًا من إحدى شركات التوريد الرائدة في أوروبا. فقد تم تصنيع جميع المنتجات التي تقدمها إليك شركة Ferm، وفقًا لأعلى معايير الأداء والسلامة. وكجزء من فلسفتنا، نقدم أيضًا خدمة عملاء ممتازة مدعومة بضممان شامل. نأمل أن تستمتع باستخدام هذا المنتج لسنوات عديدة قادمة.

### 1. تعليمات السلامة

اقرأ تحذيرات السلامة المرفقة، وتحذيرات السلامة الإضافية، والتعليمات. فإن التفسير في اتباع تحذيرات السلامة والتعليمات قد يؤدي إلى حدوث صدمة كهربائية و/أو نشوب حريق و/أو وقوع إصابة خطيرة. احتفظ بتحذيرات السلامة والتعليمات من أجل الرجوع إليها في المستقبل.



يتم استخدام الرموز التالية في دليل المستخدم أو على المنتج:



اقرأ دليل المستخدم.



خطر الإصابة الشخصية.



خطر الصدمة الكهربائية.



قم على الفور بإزالة قابس مأخذ الطاقة الرئيسي من مأخذ الطاقة الرئيسي، في حالة تلف كبل مأخذ الطاقة الرئيسي وأثناء التنظيف والصيانة.



ارتد نظارات السلامة.

ارتد واقي السمع.



ارتد قناع الغبار.



مزدوج العزل.



لا تتخلص من المنتجات في حاويات غير مناسبة.

يتوافق المنتج مع معايير السلامة المعمول بها والواردة في التوجيهات الأوروبية.



## تحذيرات السلامة العامة للأداة الكهربائية



اقرأ جميع تحذيرات السلامة، والتعليمات، والتوضيحات، والمواصفات الموفرة مع هذه الآلة الكهربائية. فإن التصغير في اتباع جميع التعليمات المسجلة أدناه قد يؤدي إلى حدوث صدمة كهربائية و/أو نشوب حريق و/أو وقوع إصابة خطيرة.

احتفظ بجميع التحذيرات والتعليمات من أجل الرجوع إليها في المستقبل.

يشير مصطلح «الأداة الكهربائية» في التحذيرات إلى الأداة الكهربائية التي تعمل بالتيار الرئيسي (سلكية) أو الأداة الكهربائية التي تعمل بالبطارية (لاسلكية).

### 1 سلامة منطقة العمل

- حافظ على نظافة منطقة العمل وإضاءتها جيدًا. فإن المناطق التي تمعها الفوضى أو المظلمة تساعد في وقوع الحوادث.
- لا تقم بتشغيل الأدوات الكهربائية في الأجواء القابلة للانفجار، كما هو الحال في وجود السوائل أو الغازات أو الغبار القابل للاشتعال. فالأدوات الكهربائية تُنشئ شررًا قد يشعل الغبار أو الأبخرة.
- ابتعد الأطفال والواقفين بجوارك أثناء تشغيل الأداة الكهربائية. فحالات الارتباك قد تؤدي إلى فقدانك السيطرة.

### 2 السلامة الكهربائية

- يجب أن تتوافق قوايس الأدوات الكهربائية مع مأخذ التيار. لا تقم أبدًا بتعديل القوايس بأي طريقة. لا تستخدم قوايس أي مهايئ مع الأدوات الكهربائية المورضة (المتصلة بالأرضية). فستعمل القوايس غير المعدلة ومأخذ التيار المتوافقة على الحد من خطر الصدمة الكهربائية.
- تجنب تلامس الجسم مع الأسطح المورضة أو المتصلة بالأرضية، مثل الأنابيب والرادياتيرات والنطاقات والتلججات. فهناك خطر منزأيد لحدوث صدمة كهربائية في حالة تآريض جسمك أو اتصاله بالأرضية.
- لا تعرّض الأدوات الكهربائية للمطر أو الظروف الرطبة. فإن المياه التي تدخل الأداة الكهربائية ستؤدي إلى زيادة خطر حدوث الصدمة الكهربائية.
- لا تسمِع استخدام السلك. لا تستخدم أبدًا السلك لحمل الأداة الكهربائية أو سحبها أو فصلها عن مصدر الطاقة. احتفظ بالسلك بعيدًا عن الحرارة أو الزيت أو الحواف الحادة أو الأجزاء المتحركة. فستؤدي الأسلاك التالفة أو المتشابكة إلى زيادة خطر حدوث الصدمة الكهربائية.
- عند تشغيل الأداة الكهربائية في الهواء الطلق، استخدم سلك إطالة مناسبًا للاستخدام في الهواء الطلق. فإن استخدام سلك مناسب للاستخدام في الهواء الطلق يحد من خطر حدوث الصدمة الكهربائية.
- في حالة عدم تجنب تشغيل أداة كهربائية في موقع رطب، فاستخدم مصدر إمداد محمي بجهاز قاطع الدورة (DCR). فإن استخدام جهاز قاطع الدورة يقلل من خطر الصدمة الكهربائية.

### 3 السلامة الشخصية

- ابق متيقظًا وشاهد ما تقوم به واستعن بالحس السليم عند تشغيل الأداة الكهربائية. لا تستخدم الأداة الكهربائية عندما تكون متعبًا أو تحت تأثير المخدرات أو الكحول أو الأدوية. فإن لحظة الغفلة أثناء تشغيل الأدوات الكهربائية قد تؤدي إلى إصابة شخصية بالغة.
  - استخدم معدات الوقاية الشخصية. ارتد وافي العينين دائمًا. فإن المعدات الوقائية، مثل قناع الغبار أو أذنية السلامة غير الزلقة أو القبة الصلبة أو وافي السمع، التي يتم استخدامها في الظروف الملائمة تستقل من حدوث الإصابات الشخصية.
  - امنع بدء التشغيل غير المقصود. تأكد من وجود المفتاح في وضع إيقاف التشغيل قبل التوصيل بمصدر الطاقة و/أو حزمة البطارية أو القواطع الأداة أو حملها. فإن حمل الأدوات الكهربائية مع وضع إصبعك على المفتاح أو الأدوات الكهربائية المزودة بالبطاقة التي بها المفتاح في وضع التشغيل يؤدي إلى وقوع الحوادث.
  - قم بإزالة أي مفتاح ربط أو مفتاح ضبط قبل تشغيل الأداة الكهربائية. فإن مفتاح الربط أو المفتاح الذي يُترك متصلًا بجزء دوار من الأداة الكهربائية قد يؤدي إلى إصابة شخصية.
  - لا تتجاوز الحدود. حافظ على موطن القدم والتوازن الصحيحين في جميع الأوقات. فإن هذا يتيح إمكانية التحكم بشكل أفضل في الأداة الكهربائية في المواقف غير المتوقعة.
  - ارتد الملابس بطريقة صحيحة. لا ترتدي مجوهرات أو ملابس فضفاضة. حافظ على شعرك وملابسك وقفازاتك بعيدًا عن الأجزاء المتحركة. فإن الملابس الفضفاضة أو المجوهرات أو الشعر الطويل قد يعلق بالأجزاء المتحركة.
  - إذا تم توفير أجهزة لتوصيل أدوات استخراج الغبار وتجميعه، فتأكد من توصيلها واستخدامها بشكل صحيح. فإن استخدام الغبار قد يقلل من المخاطر المرتبطة بالغبار.
  - لا تدع التعود على الاستخدام المتكرر للأدوات يجعلك تتساهل بحيث تتجاهل مبادئ السلامة الخاصة بالأداة. فأي إجراء بدون مبالاة يمكن أن يسبب إصابة خطيرة خلال جزء من الثانية.
- استخدام الأداة الكهربائية والعناية بها
    - لا تضغط على الأداة الكهربائية. استخدم الأداة الكهربائية المناسبة لتطبيقك. فإن الأداة الكهربائية المناسبة ستؤدي المهمة بشكل أفضل وأكثر أمانًا وبالمعدل الذي صممت له.
    - لا تستخدم الأداة الكهربائية في حالة عدم قيام المفتاح بتشغيلها أو إيقاف تشغيلها. فإن أي أداة كهربائية لا يمكن التحكم فيها باستخدام المفتاح تمثل خطورة ويجب إصلاحها.
    - افصل القوايس عن مصدر الطاقة و/أو حزمة البطارية عن الأداة الكهربائية قبل إجراء أي عمليات ضبط أو تغيير الملحقات أو تخزين الأدوات الكهربائية. فإن إجراءات السلامة الوقائية تحد من خطر بدء تشغيل الأداة الكهربائية بشكل مفاجئ.
    - قم بتخزين الأدوات الكهربائية الخاملة بعيدًا عن متناول الأطفال، ولا تسمح لأي شخص ليسوا على دراية بالأداة الكهربائية أو هذه التعليمات بتشغيل هذه الأداة الكهربائية. فإن الأدوات الكهربائية تشكل خطرًا في أيدي المستخدمين غير المدربين.
    - قم بصيانة الأدوات الكهربائية. قم بالفحص بحثًا عن اختلال محاذاة أو التصاق الأجزاء المتحركة، وانكسار الأجزاء، وأي حالة أخرى قد تؤثر في تشغيل الأداة الكهربائية. في حالة تلف الأداة الكهربائية، فقم بإصلاحها قبل الاستخدام. فإن العديد من الحوادث تتسبب عن الأدوات الكهربائية المصانة بشكل ضعيف.

- (f) **حافظ على حدة أدوات القطع ونظافتها.** فإن أدوات القطع المصانة بطريقة صحيحة وذات حواف القطع الحادة يقل احتمال التصاقها ويسهل التحكم فيها بشكل أكبر.
- (g) **استخدم الأداة الكهربائية، والملحقات، ولقعات الأدوات وغيرها وفقاً لهذه التعليمات، مع مراعاة ظروف العمل والعمل المراد تنفيذه.** فإن استخدام الأداة الكهربائية لعمليات غير تلك المخصصة لها قد يؤدي إلى موقف خطير.
- (h) **حافظ على جفاف ونظافة المقابض وأسطح المسك من الزيوت والشحوم.** لا تسمح القابض وأسطح المسك الزلقة بالتعامل والسيطرة الآمنين على الأداة في المواقف غير المتوقعة.

### 6) الخدمة

- (a) **لا تقم بصيانة الأداة الكهربائية إلا لدى فني إصلاح مؤهل وباستخدام قطع الغيار المطابقة فقط.** فسيضمن هذا الحفاظ على سلامة الأداة الكهربائية.

### تحذيرات السلامة الإضافية لأدوات السنفرة دلتا

يؤثر التعرض للغبار الصادر أثناء الاستخدام (على سبيل المثال الأسطح المطلية بالرصاص أو القطع الخشبية أو المعدنية) أو استنشاقه إلى تعريض صحتك وصحة من حولك للخطر. لا ترتد دائماً المعدات الواقية المناسبة، مثل قناع الغبار. استخدم دائماً نظام شطف غبار مناسب أثناء الاستخدام.



ارتد واقي السمع.



### مستوى الاهتزاز

لقد تم قياس مستوى انبعاثات الاهتزاز المنصوص عليها في دليل التعليمات هذا وفقاً لاختبار موحد وارد في EN 62841-1، EN 62841-2. ويمكن استخدامه لمقارنة أداة واحدة مع أخرى وكنتيجة لتقييم أولي للتعرض للاهتزاز عند استخدام الأداة في التطبيقات المذكورة.

- يمكن أن تختلف انبعاثات الاهتزاز أثناء الاستخدام الفعلي للأداة الكهربائية عن القيمة الإجمالية المعلنة اعتماداً على طرق استخدام الأداة.
- تحتاج إلى تحديد تدابير السلامة لحماية المشغل التي تستند إلى تقدير التعرض في ظروف الاستخدام الفعلية (مع مراعاة جميع أجزاء دورة التشغيل مثل الأوقات التي يتم فيها إيقاف تشغيل الأداة وعندما يتم تشغيلها في وضع الحمول بالإضافة إلى وقت التشغيل).

احم نفسك من آثار الاهتزاز من خلال صيانة الأداة وملحقاتها، والحفاظ على دفة يدك، وتنظيم أنماط العمل الخاص بك.

## 2. الوصف (الشكل أ)

### الاستخدام المقصود

هذه الماكينة مصممة لسنفرة الخشب والبلاستيك والمعادن. هذه الماكينة غير مناسبة إلا للسنفرة الجافة. هذه الماكينة غير مناسبة لمعالجة المواد التي تحتوي على الاسبستوس. قد يؤدي الاستخدام غير المناسب إلى تلف الأداة.

تشير الأرقام الواردة في النص إلى الأشكال الموجودة في الصفحات ٢.

1. مفتاح التشغيل/إيقاف التشغيل
2. المقبض
3. صندوق الغيار
4. وسادة السنفرة
5. ورق السنفرة
6. فتحة

دائماً من توافق فولتية مصدر الطاقة مع الفولتية الموجودة في لوحة البيانات الفنية.



- لا تستخدم الماكينة في حالة تلف كابل مأخذ الطاقة الرئيسي أو قابس مأخذ كابل الطاقة الرئيسي.

### 3. توصيل صندوق الغبار (الشكل ب)

قبل التجميع، أوقف دائماً تشغيل الماكينة، وقم بإزالة قابس مأخذ الطاقة الرئيسي من مأخذ الطاقة الرئيسي.



يوصى بشدة باستخدام الماكينة مع صندوق الغبار (3)، مما يضمن

- جمع الغبار بشكل مثالي.
- حرك الفتحة الموجودة في صندوق الغبار فوق الأخدود الموجود في مخرج الغبار الخلفي.
- لضمان إدخال صندوق الغبار بشكل آمن، ادفع صندوق الغبار حتى تسمع صوت نقرة.

ملاحظة: يتعين تفريغ صندوق الغبار عند امتلاء نصفه للحفاظ على مستوى تجميع الغبار المثالي.

### تركيب ورق السنفرة وإزالته (الشكل ج)

- أمسك الماكينة من جوانبها أو بشكل مقلوب كما هو موضح في الشكل ج ١
- قم بتركيب ورق السنفرة (٥) بحجم الحبيبات المطلوب في وسادة السنفرة (٤). تأكد من أن الثقب الموجود بورق السنفرة (٨) متوافق مع الثقب الموجود في وسادة السنفرة (٤).
- لإزالة ورق السنفرة (٥)، فقط اسحب ورق السنفرة من وسادة السنفرة (٤).

ملاحظة: استخدم ورق سنفرة خشنة لسنفرة الأسطح الصلبة وغير المستوية. استخدم ورق السنفرة المتوسط لإزالة بقايا الخدوش من ورق السنفرة الخشنة. استخدم ورق السنفرة الناعمة لتلميع الأسطح.

### استبدال وسادة السنفرة (الشكل هـ)

- في حالة بلى وسادة السنفرة، يجب أن يتم استبدالها.
- إذا لزم الأمر، قم بإزالة ورق السنفرة.
- قم بفك البراغي من وسادة السنفرة (٤).
- قم بإزالة وسادة السنفرة القديمة.
- قم بتركيب وسادة السنفرة الجديدة.
- قم بربط البراغي بوسادة السنفرة (٤).

### 4. الاستخدام

#### التشغيل وإيقاف التشغيل (الشكل أ)

- لتشغيل الماكينة، قم بتحريك مفتاح التشغيل/إيقاف التشغيل (١) إلى الوضع «أ».
- لإيقاف تشغيل الماكينة، قم بتحريك مفتاح التشغيل/إيقاف التشغيل (١) إلى الوضع «٠».

#### تلميح للاستخدام الأمثل

- قم بتثبيت قطعة العمل.
- قم بتشغيل الآلة.

- ضع وسادة السنفرة مع ورق السنفرة على قطعة العمل.
- قم بتحريك الماكينة ببطء فوق قطعة العمل، مع الضغط بثبات على وسادة السنفرة مقابل قطعة العمل.
- لا تضغط على الآلة بشكل أكبر من اللازم. دع الماكينة تقوم بالعمل.

### 5. الصيانة

قم دائماً بفصل الماكينة من مصدر الطاقة الرئيسي قبل تنفيذ أي عملية صيانة.



قم بتنظيف أغطية الماكينة باستخدام قطعة قماش ناعمة بصفة منتظمة، ويُفضل أن يتم ذلك بعد كل استخدام. وتأكد من خلو فتحات التهوية من الأتربة والأوساخ. وقم بإزالة الأوساخ العنيدة جداً باستخدام قطعة قماش ناعمة مغموسة في رغوة الصابون. لا تستخدم أي مذيبات، مثل البنزين والكحول والأمونيا وغيرها. فإن مثل هذه المواد الكيميائية ستؤدي إلى تلف المكونات الاصطناعية.

### البيئة

يجب تجميع الأجهزة الكهربائية أو الإلكترونية المعيبة وأو المهملة في مواقع إعادة التدوير المناسبة.



### لبدان الاتحاد الأوروبي فقط

لا تتخلص من الأدوات الكهربائية في النفايات المنزلية. ووفقاً للتوجيه الأوروبي 2012/19/EC بخصوص نفايات المعدات الكهربائية والإلكترونية وتنفيذها في حق وطني، يجب جمع الأدوات الكهربائية التي لم تعد صالحة للاستعمال بشكل منفصل والتخلص منها بطريقة صديقة للبيئة.

### الضمان

راجع بنود الضمان المرفق.

## DETAY ZIMPARA MAKİNESİ 130W

Bu Ferm ürününü satın aldığınız için teşekkür ederiz. Bu sayede artık Avrupa'nın önde gelen sağlayıcılarından biri tarafından teslim edilen, mükemmel bir ürüne sahipsiniz. Ferm tarafından size teslim edilen bütün ürünler en yüksek performans ve güvenlik standartlarına göre üretilmiştir. Felsefemizin bir parçası olarak ayrıca kapsamlı garantimiz tarafından desteklenen mükemmel bir müşteri hizmeti sağlıyoruz. Umarız bu ürünü gelecek yıllar boyunca kullanmaktan zevk alırsınız.

### 1. GÜVENLİK TALİMATLARI



**Ekteki güvenlik uyarılarını, ilave güvenlik uyarılarını ve talimatları okuyun.**

Güvenlik uyarılarını ve talimatları izlememek elektrik çarpması, yangın ve/veya ciddi yaralanma ile sonuçlanabilir. **Güvenlik uyarılarını ve talimatları gelecekte referans olması için saklayın.**

Aşağıdaki semboller kullanıcı kılavuzunda veya ürün üzerinde kullanılmaktadır:



*Kullanıcı kılavuzunu okuyun.*



*Bedensel yaralanma riski.*



*Elektrik çarpması riski.*



*Şebeke kablosu temizlik ve bakım sırasında hasar görürse şebeke fişini hemen prizden çıkarın.*



*Koruyucu gözlük takın.  
Duyma koruması takın.*



*Bir toz maskesi takın.*



*Çift İzolasyon.*



*Urunu uygun olmayan kaplara atmayın.*



Urun, Avrupa yönergelerinde belirtilen, yururlukteki güvenlik standartlarına uygundur.

## GENEL ELEKTRİKLİ ALET GÜVENLİK UYARILARI



**UYARI!**

**Bu elektrikli aletle birlikte sağlanan tüm güvenlik uyarılarını, talimatları, çizimleri ve spesifikasyonları okuyun.** Aşağıda listelenen tüm güvenlik uyarılarını ve talimatları izlememek elektrik çarpması, yangın ve/veya ciddi yaralanma ile sonuçlanabilir.

Tüm uyarıları ve talimatları gelecekte başvurmak üzere saklayın.

Uyarılardaki "elektrikli alet" terimi, şebeke elektriği ile çalışan (kablolu) elektrikli alet veya pil ile çalışan (kablesuz) elektrikli alet anlamına gelir.

### 1) İş aşanı güvenliği

- İş alanını temiz ve aydınlık tutun.** Dağınık veya karanlık bölgeler, kazalara davetiye çıkarır.
- Elektrikli aletleri, yanıcı sıvıların, gazların veya tozun var olduğu patlayıcı atmosferlerde kullanmayın.** Elektrikli aletler, tozu veya dumanları ateşleyebilecek kıvılcımlar oluşturur.
- Bir elektrikli aleti kullanırken, çocukları ve çevredekileri uzak tutun.** Dikkatiniz dağılırsa kontrolü kaybedebilirsiniz.

### 2) Elektrik güvenliği

- Elektrikli alet fişleri, prize uygun olmalıdır. Fişi, hiçbir şekilde modifiye etmeyin. Topraklı elektrikli aletlerle, herhangi bir fiş adaptörü kullanmayın.** Modifiye edilmemiş fişler ve buna uygun prizler, elektrik çarpması riskini azaltır.
- Borular, radyatörler, ocaklar ve buzdolapları gibi topraklı yüzeylerle temastan kaçının.** Eğer vücudunuz topraklanmışsa, elektrik çarpması riski daha fazla olur.
- Elektrikli aletleri yağmura veya ıslaklığa maruz bırakmayın.** Bir elektrikli alete su girmesi durumunda, elektrik çarpması riski artacaktır.
- Kabloya kötü davranmayın. Kabloyu taşıma amacıyla, elektrikli aleti ya da elektrikli aletin fişini çekmek için kullanmayın.**

**Kabloyu ısıdan, yağdan, keskin kenarlardan ya da hareketli parçalardan uzak tutun.**

*Hasar görmüş ya da dolaşmış kablolar, elektrik çarpması riskini artırır.*

- e) **Bir elektrikli aleti dış mekanlarda kullanırken, dış mekan kullanımına uygun bir uzatma kablosu kullanın. Dış mekan kullanımına uygun ir kablo kullanıldığında, elektrik çarpması riskini azalır.**
- f) **Elektrikli aleti nemli bir ortamda çalıştırmak kaçınılmazsa, kaçak akım cihazı (RCD) korumalı bir kaynak kullanın. RCD kullanımı elektrik çarpması riskini azaltır.**
- 3) Kişisel güvenlik**
- a) **Elektrikli aleti kullanırken tetikte kalın, ne yaptığınıza dikkat edin ve sağduyulu davranın. Bir elektrikli aleti yorgun olduğunuzda ya da uyuşturucu, alkol veya ilaç etkisindeyken kullanmayın. Elektrikli aleti kullanırken bir anlık dikkatsizlik ciddi kişisel yaralanmalara neden olabilir.**
- b) **Kişisel koruyucu donanım kullanın. Her zaman göz koruması takın. Uygun durumlarda için kullanılan toz maskesi, kaymaz güvenlik ayakkabıları, baret veya kulak tıkacı gibi koruyucu donanımlar, kişisel yaralanma riskini azaltacaktır.**
- c) **Kasıtsız çalışmayı önleyin. Bir elektrik kaynağını ve/veya pil takımını bağlamadan, aleti kaldırmadan ya da taşımadan önce elektrikli aletin anahtarının kapalı durumda olduğundan emin olun. Elektrikli aletleri parmağınız anahtar üzerindeyken taşımak veya anahtarı açık elektrikli aletleri harekete geçirmek kazalara davetiye çıkarır.**
- d) **Elektrikli aleti açık duruma getirmeden önce her türlü ayar anahtarını çıkarın. Elektrikli aletin dönen bir parçasında kalan bir anahtar, kişisel yaralanmalara neden olabilir.**
- e) **Fazla uzanmayın. Ayaklarınızı sağlam basın ve her zaman dengeli olun. Böylece beklenmeyen durumlarda elektrikli aleti daha iyi kontrol edebilirsiniz.**
- f) **Uygun kıyafetler giyin. Bol kıyafetler giymeyin, takılar takmayın. Saçınızı, kıyafetlerinizi ve eldivenlerinizi, hareketli parçalardan uzak tutun. Bol kıyafetler, takılar veya uzun saç, hareketli parçalara takılabilir.**
- g) **Eğer cihazlar toz giderme ve toplama tesislerinin bağlantısı için sağlanmışsa,**

**bunların bağlandığından ve düzgün bir şekilde kullanıldığından emin olun. Toz toplama ile tozla ilgili tehlikeleri azaltılabilir.**

- h) **Aletlerin sık kullanılmasından edindiğiniz bilgi birikiminin sizi aşırı rehavete sürüklemesine izin vermeyin ve araç güvenliği ilkelerini göz ardı etmeyin. Dikkatsiz bir hareket, bir saniyeden bile kısa sürede ciddi yaralanmalara neden olabilir.**
- 4) Elektrikli alet kullanımı ve bakımı**
- a) **Elektrikli aleti zorlamayın. Uygulamanız için doğru elektrikli aleti kullanın. Doğru elektrikli alet, tasarım amacına uygun olarak işi daha iyi yapacaktır.**
- b) **Eğer anahtarlar açılıp kapatılmıyorsa, elektrikli aleti kullanmayın. Anahtarla kumanda edilemeyen elektrikli aletler tehlikelidir ve tamir edilmelidir.**
- c) **Herhangi bir ayar, aksesuar değişimi ya da depolama işleminden önce elektrikli aletin fişini elektrik kaynağından çıkarın ve/veya pil takımını elektrikli aletten çıkarın. Bu tür önleyici güvenlik önlemleri, elektrikli aletin kazara çalışma riskini azaltır.**
- d) **Boş durumdaki elektrikli aletleri çocukların erişemeyeceği bir yerde muhafaza edin ve elektrikli aletin nasıl çalıştığını ya da bu talimatları bilmeyen kişilerin elektrikli aleti kullanmasına izin vermeyin. Elektrikli aletler, eğitimsiz kullanıcıların elinde tehlikeli olur.**
- e) **Elektrikli aletlerin bakımını yapın. Hatalı ayarlar veya hareketli parçaların bağlanması, parça kırılmaları ve elektrikli aletin çalışmasını etkileyebilecek diğer durumlar için kontrol gerçekleştirin. Eğer herhangi bir hasar varsa, elektrikli alet kullanılmadan önce tamir edilmelidir. Çoğu kazaya bakımı iyi yapılmayan elektrikli aletler neden olur.**
- f) **Kesme aletlerini keskin ve temiz tutun. Bakımı iyi yapılan ve keskin kenarlara sahip kesme aletlerinde donmalar daha az yaşanır ve kontrol edilmeleri daha kolay olur.**
- g) **Elektrikli aleti, aksesuarlarını ve torna kalemlerini bu talimatlara uygun olarak kullanın, çalışma koşullarını ve gerçekleştirilecek olan işi dikkate alın. Elektrikli aletin kullanım amacı dışında kullanılması, tehlikeli durumlara sonuçlanabilir.**

- h) **Tutamakları ve tutma yerlerini kuru, temiz ve yağdan arındırılmış şekilde muhafaza edin.** Kaygan tutamaklar ve tutma yerleri, beklenmedik durumlarda aletin güvenli şekilde taşınmasına ve kontrol edilmesine izin vermez.

## 6) Servis

- a) **Elektrikli aletinizin servis işlemlerini, yalnızca aynı yedek parçaları kullanan vasıflı bir tamircinin yapmasını sağlayın.** Bu, elektrikli aletin güvenliğinin korunmasını sağlayacaktır.

## Finisaj zımpara makineleri için ek güvenlik uyarıları



*Kullanım sırasında ortaya çıkan tozla (örneğin kurşunla boyanmış yüzeyler, ahşap ve metal) temas edilmesi veya bu tozun solunması sizin ve çevrenizdekilerin sağlığını tehdit edebilir. Daima bir toz maskesi gibi uygun bir koruyucu ekipman takın. Kullanım sırasında daima uygun toz toplama düzeneği kullanın.*

- Asbest içeren malzemelerle çalışmayın. Asbest kanserojen olarak kabul edilir.
- Bu makineyi magnezyum iş parçalarını zımparalamak için kullanmayın.
- Güvenlik gozluğu giyin. Duyma koruması takın. Gerekirse, eldivenler, güvenlik ayakkabıları vs. gibi diğer koruyucu malzemeleri kullanın.
- Aksesuarın gizli elektrik kablolarıyla veya ana kabloyla temas edebileceği yerlerde makineyi izolasyonlu kavrama yüzeylerinden tutun. Aksesuar 'elektrik yüklü' bir kabloyla temas ederse, makinenin elektrik yüküne maruz kalan metal parçaları da 'elektrik yüklü' hale gelebilir. Elektrik carpması riski
- Boyanmış yüzeylerde zımparalama sırasında çok dikaktli olun.
- Kullanmadan önce iş parçasındaki tüm civileri ve diğer metal nesnelere çıkarın.
- İş parçasının uygun şekilde desteklendiğinden veya sabitlendiğinden emin olun.
- Sadece makineyle kullanılmaya uygun zımpara kağıdı kullanın.
- Sadece uygun ebatlara sahip zımpara kağıdı kullanın. Zımpara kağıdının doğru monte edildiğinden emin olun.

- Kullanmadan önce zımpara kağıdını kontrol edin. Uzun süreli kullanım nedeniyle aşırı yıpranmış zımpara kağıdını kullanmayın.
- Makineyi asla kapatmadan bir masa veya tezgaha koymayın.

## Elektrik güvenliği



*Guc kaynağının voltajının, anma değeri plakası etiketi üzerindeki voltaja karşılık geldiğini her zaman kontrol edin.*

- Guç kaynağı kablosu veya şebeke fişi hasar görmüşse makineyi kullanmayın.”
- Besleme kablosunun değiştirilmesi gerekiyorsa, güvenlik tehlikelerini önlemek için bu işlem üretici veya üreticinin yetkili servisi tarafından yapılmalıdır.
- Sadece makinenin guç değerleri açısından uygun, minimum 1,5 mm2 kalınlığa sahip uzatma kabloları kullanın. Bir uzatma kablosu makarası kullanıyorsanız kabloyu daima tam olarak acın.”

## Teknik spesifikasyonlar

Model No.	PSM1035
Şebeke voltajı	230 V~
Şebeke frekansı	50 Hz
Güç girişi	130 W
Yüksüz hız	14.000/min
Ağırlık	0.68 kg
<b>GÜRÜLTÜ VE VİBRASYON</b>	
Ses basıncı seviyesi LpA	76 + 3 dB(A)
Ses gücü seviyesi LwA	87 + 3 dB(A)
Titreşim	3.017 + 1.5m/s2



*Duyma koruması takın.*

## Vibrasyon seviyesi

Bu talimat kılavuzunda belirtilen vibrasyon emisyon seviyesi EN 62841-1, EN 62841-2-4 içinde verilen bir standart teste uygun olarak ölçülmüştür; bir aleti başka bir aletle karşılaştırmak için ve aleti adı geçen uygulamalar için kullanırken bir ilk maruz kalma değerlendirmesi olarak kullanılabilir:

- elektrikli aletin fiili kullanımı sırasındaki titreşim emisyonu, aletin kullanım şekline bağlı olarak beyan edilen toplam değerden farklı olabilir; ve



- gerçek kullanım koşullarındaki maruz kalma tahminine dayalı olarak operatörü korumak için güvenlik önlemleri belirleme ihtiyacı (aletin kapatıldığı ve boşta çalıştığı zamanlar gibi tetikleme süresine ek olarak çalışma döngüsünün tüm bölümlerini dikkate alarak).

Aletin ve aksesuarların bakımını yaparak, ellerinizi sıcak tutarak ve çalışma düzenlerinizi organize ederek vibrasyonun etkilerine karşı kendinizi koruyun.

## 2. AÇIKLAMA (ŞEKİL B)

### Kullanım amacı

Makine ahşap, plastik ve metali zımparalamak için tasarlanmıştır. Bu makine sadece kuru zımparalama için uygundur. Makine asbest içeren nesnelere üzerinde çalışmak için uygun değildir. Uygunsuz kullanım alete zarar verebilir.

Metindeki numaralar sayfa 2'deki çizimleri işaret etmektedir.

1. Acma/kapama düğmesi
2. Tutma yeri
3. Toz haznesi
4. Zımpara tabanı
5. Zımpara kağıdı
6. Yuva

## 3. MONTAJ



*Montajdan önce her zaman makineyi kapatın ve şebeke prizini şebekeden çıkarın.*

### Toz haznesinin takılması (Şekil B)

Uygun toz toplamayı sağlamak için makinenin toz haznesi (3) ile kullanılması önerilir.

- Toz hazne yuvasını arka toz çıkışındaki centiğin üzerine kaydırın.
- Toz haznesinin güvenli bir şekilde takıldığından emin olmak için, bir tıklama sesi duyulana kadar toz haznesini itin.

**Not:** En uygun toz toplamayı sağlamak için hazne yarıya kadar dolu olduğunda toz haznesi boşaltılmalıdır.

### Zımpara kağıdının takılması ve çıkartılması (Şek. C)

- Makineyi, Şekil C1'de gösterildiği gibi yan veya aşağı doğru tutun.
- Gerekli tanecik büyüklüğüne sahip zımpara kağıdını (5) zımpara kağıdı yatağına (4) takın. Zımpara kağıdı (5) üzerindeki deliklerin zımpara kağıdı yatağındaki (4) deliklerle aynı hizada olduğundan emin olun.
- Zımpara kağıdını (5) çıkarmak için zımpara kağıdını zımpara yatağından (4) çekin.

**Not:** Sert ve düzgün olmayan yüzeyleri zımparalamak için kaba zımpara kağıdı kullanın. Kaba zımpara kağıdından kalan cizikleri gidermek için orta zımpara kağıdı kullanın. İnce işler için ince zımpara kağıdı kullanın.

### Zımpara yatağının değiştirilmesi (şekil D)

Aşınma durumunda zımpara yatağı değiştirilmelidir.

- Gerekirse zımpara kağıdını çıkartın.
- Zımpara yatağındaki (4) vidaları gevşetin.
- Eski zımpara yatağını çıkartın.
- Yeni zımpara kağıdını takın.
- Vidaları zımpara yatağına (4) sıkın.

## 4. KULLANIM

### Acma ve kapatma (Şekil A)

- Makineyi acmak için acma/kapama anahtarını (1) I konumuna getirin.
- Makineyi kapatmak için acma/kapama anahtarını (1) 0 konumuna getirin.

### İdeal kullanım için ipuçları

- Makineyi iki elle sıkıca tutun.
- Makineyi acın.
- Zımpara kağıdı takılı zımpara yatağını iş parçasının üzerinde konumlandırın.
- Makineyi, zımpara yatağını iş parçasına sıkıca bastırarak iş parçası üzerinde yavaşça hareket ettirin.
- Makine üzerinde çok fazla basıncı uygulamayın. İş makinenin yapmasına izin verin.

## 5. БАКИМ



*Temizlik ve bakımdan önce her zaman makineyi kapatın ve şebeke prizini şebekeden çıkarın.*

Motorun aşırı ısınmasını önlemek için makinenin havalandırma deliklerini temiz tutun. Makine muhafazasını düzenli olarak (tercihen her kullanımdan sonra) yumuşak bir bez ile temizleyin. Havalandırma deliklerinde toz ve kir olmamasına dikkat edin. Kir çıkmazsa, sabunlu suyla nemlendirilmiş yumuşak bir bez kullanın. Asla petrol, alkol, amonyaklı su vs. kullanmayın. Bu cocuculer plastik parcalara zarar verebilir. Aleti her kullanımdan sonra lutfen hemen temizleyin.

## CEVRE



*Arızalı ve/veya atılmış elektrikli veya elektronik ekipmanların uygun geri dönüşüm konumlarında toplanması gerekir.*

### Yalnızca AT ülkeleri için

Elektrikli aletleri evsel atık olarak atmayın. Atık Elektrikli ve Elektronik Donanım için Avrupa İlkeleri 2012/19/EU'ya ve bunun yerel hukuk çerçevesinde uygulamasına göre, artık kullanılamaz olan elektrikli aletler ayrı olarak toplanmalı ve çevre dostu bir yolla imha edilmelidir.

## GARANTİ

Garanti koşulları ayrı olarak eklenmiş garanti kartı üzerinde bulunabilir.

## БРУСИЛКА ЗА ДЕТАЛИ 130W

Благодариме за купувањето на овој FERM производ.

Со тоа имате одличен производ, испорачан од еден од водечките добавувачи во Европа. Сите производи доставени од страна на FERM се произведени според највисоките стандарди на перформанси и безбедност. Како дел од нашата филозофија обезбедуваме одлична услуга за клиентите, со врвна сеопфатна гаранција. Се надеваме дека ќе уживате користејќи го овој производ многу наредни години.

## 1. ПРЕДУПРЕДУВАЊА ЗА БЕЗБЕДНОСТ



**Прочитајте ги приложените, дополнителните безбедносни предупредувања и упатства.**

Погрешното следење на безбедносните предупредувања и упатствата може да доведе до струен удар, пожар и/или тешки повреди.

**Чувајте ги безбедносните предупредувања и упатствата за да можете повторно да ги прочитате.**

Следните симболи се користат во упатствата или на производот:



Прочитај го упатството.



Ризик од повреди.



Ризик од струен удар.



Веднаш извадете ја приклучницата од струја ако кабелот е оштетен како и за време на чистење и одржување.



Носете заштитни очила.  
Носете заштита за слухот.



Носете маска за заштита од прашина.



Двојна изолација



Не го депонирајте производот во несоодветни садови.



Производот е во согласност со важечките стандарди за безбедност во Европските смерници.

## ОПШТИ БЕЗБЕДНОСНИ ПРЕДУПРЕДУВАЊА ЗА ЕЛЕКТРИЧНИ АЛАТИ



### ПРЕДУПРЕДУВАЊЕ!

Прочитајте ги сите безбедносни предупредувања, упатства,

илустрации и спецификации дадени со оваа електрична алатка. Непочитувањето на сите упатства наведени подолу може да резултира со електричен удар, пожар и/или сериозни повреди.

Сочувајте ги предупредувањата и упатствата за да можете повторно да ги прочитате.

Терминот „електричен алат“ во предупредувањата се однесува на апарати со напојување од напонска мрежа (жичани) или на апарати со акумулатор (бежични).

### 1) Безбедност на работниот простор

- Работниот простор да чист и добро осветлен. Несредено или темно работно место е причина за несреќи
- Не работете со алатот во експлозивна атмосфера, во присуство на запаливи течности, гасови или прашина. Електричниот алат создава искри кои може да ја запалат прашина или пареата.
- Деца и присутни лица да бидат подалеку од електричниот алат. Одвлекување на внимание може да предизвика губење на контрола.

### 2) Електрична безбедност

- Приклучокот од електричниот алат мора да одговара на приклучницата. Никогаш да не го менувате приклучокот. Не смеете да користите никаков адаптер за приклучување со заземјените

електрични алати. Неизменети приклучоци и соодветни приклучници го намалуваат ризикот од струен удар.

- Избегнувајте контакт со заземјени површини како што се цевки, радијатори, фрижидери и замрзнувачи. Тие го зголемуваат ризикот од струен удар ако вашето тело е заземјено.
  - Не го изложувајте електричниот алат на дожд или во влажна средина. Вода која навлегла во алатот го зголемува ризикот од струен удар.
  - Не го злоупотребувајте кабелот. Кабелот да не се користи за носење, да не се влече за да се исклучи алатот од напојна мрежа. Чувајте го кабелот подалеку од топлина, масло, остри рабови или подвижни делови. Оштетен или заплеткан кабел го зголемува ризикот од струен удар.
  - Кога електричниот алат работи на отворено, користете продолжен кабел за работа на отворено. Со користење на ваков продолжен кабел се намалува ризикот од струен удар.
  - Ако не може да се избегне работење со електричниот алат во влажна средина, користете резидуален моментен уред (RCD) со заштитен напон. Користење на RCD го намалува ризикот од струен удар.
- ### 3) Лична безбедност
- Бидете внимателни, внимавајте што работите и бидете претпазливи кога работите со електричен алат. Немојте да работите со електричниот алат ако сте изморени или сте под влијание на алкохол или лекови. Момент на невнимание, во тек на работа, може да предизвика сериозни повреди.
  - Користете лична заштитна опрема. Секогаш носете заштита за очите. Заштитната опрема како маска за заштита од прашина, безбедносни обувки кои не се лизгаат, тврда капа или заштита за слухот, која соодветно се употребува, го намалува ризикот од повреди.
  - Избегнувајте ненамерно стартување. Уверете се дека прекинувачот е во исклучена положба, пред алатот да го вклучите во напојна мрежа и / или на

- акумулатор, пред да го земете или пред да го носите.** Носење на електричниот алат со прст врз прекинувачот може да доведе до повреда.
- d) **Отстранете ги клучевите за дотерување пред вклучување на алатот.** Клучевите кои ќе ги допрат ротирачките делови на електричниот алат може да предизвикаат повреда.
- e) **Не се преценувајте. Одржувајте сигурна подлога и рамнотежа** На тој начин ќе имате подобра контрола врз алатот при неочекувани ситуации.
- f) **Облечете се соодветно. Не носете широка облека или накит.** Косата, облеката и ракавиците држете ги подалеку од подвижните делови. Широката облека, накитот или долгата коса можат да бидат зафатени од подвижните делови
- g) **Ако апаратот е предвиден за приклучување на опрема за одведување и собирање на прашина уверете се дека истите исправно се поврзани.** Со користење на собирач за прашина се намалува ризикот од опасностите кои ги предизвикува прашината.
- h) **Не дозволувајте запознаеноста стекната од честата употреба на алатки да ви овозможи да станете самоуверени и да ги игнорирате принципите за безбедност на алатката.** Безгрижното дејство може да предизвика сериозна повреда во дел од секунда.
- 4) **Користење и грижа на електричниот алат**
- a) **Не го форсирајте електричниот алат.** Користете соодветен електричен алат за работата која ја изведувате. Соодветниот електричен алат ќе ја заврши работата подобро и побезбедно.
- b) **Немојте да го користите електричниот алат ако прекинувачот не е исправен.** Било кој електричен алат, кој не може да се контролира со помош на прекинувачот е опасен и мора да се поправи.
- c) **Исклучете го приклучокот од струја и/или акумулаторот од алатот пред дотерување, менување на прибор или пред одложување.** Превентивните мерки за безбедност го намалуваат ризикот од случајно стартување на електричниот алат
- d) **Електричните алати кои не се користат да се чуваат надвор од дофат на деца и не дозволувајте необучени лица да ракуваат со електричниот алат.** Електричните алати се опасни во рацете на необучени корисници.
- e) **Одржувајте ги електричните алати.** Проверете неправилности или спојувања на подвижни делови, скршени делови и било која друга состојба која може да влијае врз работата на алатот. Ако е оштетен, алатот да се поправи пред да се користи. Многу несреќи се предизвикани поради лошо одржување на електричните алати
- f) **Одржувајте ги резните алати чисти и наострени.** Грижливо одржувани резни алати, со наострени резни рабови, помалку се лепат и полесно се водат
- g) **Користете го електричниот алат, приборот и алатните уметоци во согласност со овие упатства, земајќи ги предвид условите и видот на работата.** Користење на електричниот алат за намени за кои не е конструиран доведува до ризици ситуации.
- h) **Чувајте ги рачките и површините за фаќање суви, чисти и без масло и маснотии.** Лизгавите рачки и површините за фаќање не дозволуваат безбедно ракување и контрола на алатот при неочекувани ситуации.
- 6) **Сервис**
- a) **Електричниот алат смее да го поправа квалификувано лице, со користење на идентични резервни делови.** На овој начин се одржува безбедноста на електричниот алат.

### Дополнителни безбедносни предупредувања за делта брусилка



Со контакт или со вдишување на прашина за време на работа (на пример олово-обоени површини, дрво и метал) можете да го загорите вашето здравје и здравјето на другите лица. Секогаш носете заштитна опрема, како маска за прашина. Користете одведувач на прашина.

- Не обработувајте материјали кои содржат азбест. Азбестот е канцероген.
- Не брусете магнезиумски парчиња.
- Носете заштитни очила. Носете заштита за слухот. Ако е потребно, користете и други заштитни средства, како ракавици, чевли итн.
- Држете ја машината за изолираните дршки, ако приборот може да дојде во контакт со скриени жици или со сопствен кабел. Ако опремата допре „жива“ жица, металните делови на машината исто така стануваат „живи“. Ризик од струен удар.
- Бидете многу внимателни кога брусите бојосани површини.
- Пред работа од работното парче отстранете шајки и други метални предмети.
- Проверете го потпирањето или стегањето на парчето.
- Користете брусна хартија која е предвидена за оваа машина.
- Користете брусна хартија со точни димензии. Проверете дали е правилно монтирана брусната хартија.
- Пред секое користење контролирајте ја брусната хартија.
- Не користете истрошена брусна хартија, зашто ја пролонгира употребата.
- Никогаш не ја одложувајте машината пред да ја исклучите.

### Електрична безбедност



Секогаш проверувајте дали напонот на напојувањето одговара на наведениот напон на плочката.

- Не ја користете машината ако е оштетен кабелот или приклучокот.
- Доколку е неопходна замена на кабелот за напојување, тоа треба да го направи производителот или неговиот застапник за да избегнете опасност по безбедноста.
- Користете продолжни кабли кои одговараат на моќност на машината, со минимален попречен пресек од 1,5 mm<sup>2</sup>. Ако користите продолжен кабел во ролна, целосно одмотајте го.

### Технички податоци

Model No.	PSM1035
Номинален напон	230V~
Номинална фреквенција	50 Hz
Влезна моќност	130 W
Брзина без оптеретување	14,000/min
Тежина	0.68 kg
<b>БУЧАВА И ВИБРАЦИИ</b>	
Ниво на звучен притисок (L <sub>pa</sub> )	65dB(A)
Акустична моќност (L <sub>wa</sub> )	76dB(A)
Вибрации	3.017 + 1.5 m/s <sup>2</sup>



Носете заштита за слухот.

### Ниво на вибрации

Нивото на емисијата на вибрациите, наведено во упатството, е измерено во согласност со стандардизиран тест даден во EN 62841-1, EN 62841-2-4; тој може да се користи за споредување на еден алат со друг како и за прелиминарна процена на изложеност на вибрации кога алатот се користи за различни апликации.

- емисијата на вибрации при реална употреба на електричната алатка може да се разликува од декларираната вкупна вредност во зависност од начините на употреба на алатката: и
- треба да се идентификуваат безбедносните мерки за заштита на операторот, кои се базираат на процена на изложеноста при реални услови на употреба (земајќи ги предвид сите делови од работниот циклус, како што се времињата кога алатката е исклучена и кога работи во мирување како дополнување на времето на активирање).

Заштитете се од ефектите на вибрациите со одржување на алатот и приборот, рацете да ви бидат топли и организирајте ги работните навики.

## 2. ОПИС (СЛ. А)

### Намена

Машината е наменета за шмирглање на дрво, пластика и метал. Оваа машина е погодна само за суво брусене. Машината не е погодна за обработка на предмети што содржат

азбест. Неправилната употреба може да ја оштети алатката.

Броевите во текстот се однесуваат на дијаграмите на страница 2.

1. Прекинувач за вклучување/исклучување
2. Дршка
3. Кутија за прав
4. Подлога за шмирглање
5. Хартија за шмирглање
6. Отвор

### 3. МОНТАЖА



*Пред монтажа исклучете ја машината и извадете го приклучокот од главниот напон.*

#### Поврзување на кутијата за прав (Скица В)

Препорачливо е да ја користите машината со кутијата за прав (3), обезбедувајќи оптимално собирање прашина.

- Лизнете го отворот во кутијата за прашина преку засекот на задниот излез за прав.
- Завртете се за да ја заклучите кутијата во позиција.

*Белешка:* Кутијата за прав треба да се испразни кога кутијата е половина полна за да се одржи оптимално собирање на прав.

#### Монтирање и отстранување на хартијата за шмирглање (Скица С)

- Држете ја машината на страна или наопаку, како што е прикажано на Скица С1.
- Монтирајте на хартија за шмирглање (5) со потребната големина на зрно на подлогата за шмирглање (4). Осигурајте се дека перфорацијата во хартијата за шмирглање (5) соодветствува со перфорацијата на подлогата за шмирглање (4), како што е прикажано на Скица С2.
- За да ја отстраните хартијата за шмирглање (5), едноставно извлечете ја хартијата за шмирглање од подлогата за шмирглање (4).

*Белешка:* Користете груба хартија за шмирглање за шмирглање на груби, нерамни

површини. Користете средна хартија за шмирглање за да ги отстраните преостанатите гребнатици од грубата хартија за шмирглање. Користете фина хартија за шмирглање за завршни површини.

#### Замена на подлогата за шмирглање (Скица D)

Во случај на абење, подлогата за шмирглање мора да се замени.

- Доколку е потребно, отстранете ја хартијата за шмирглање.
- Олабавете ги завртките од подлогата за шмирглање (4).
- Отстранете ја старата подлога за шмирглање.
- Монтирајте ја старата подлога за шмирглање.
- Затегнете ги завртките од подлогата за шмирглање (4).

### 4. КОРИСТЕЊЕ

#### Вклучување и исклучување (Сл. А)

- За вклучување на машината, турнете го напред Оп/Off прекинувачот (1).
- За вклучување на машината, турнете го напред Оп/Off прекинувачот (1).

#### Совети за оптимално користење

- Држете ја машината цврсто за дршката.
- Вклучете ја машината.
- Поставете ја брусната подлога со брусната хартија врз работното парче.
- Полека движете ја машината преку работното парче, притискајќи ја силно брусната хартија врз парчето.
- Не притискајте премногу врз машината. Оставете машината да ја заврши работата.

### ОДРЖУВАЊЕ



*Секогаш исклучувајте ја машината од главното напојување пред да извршите какви било работи за одржување.*

Редовно чистете ги куќиштата на машината со мека крпа, по можност по секоја употреба. Обезбедете дека на отворите за вентилација

нема прав и нечистотија. Отстранете ја тврдоглавата нечистотија со мека крпа навлажнета со сапуница. Не употребувајте растворувачи како што се бензин, алкохол, амонијак итн. Овие хемикалии можат да ги оштетат синтетичките компоненти.

## ЖИВОТНА СРЕДИНА

### Депонирање



*Дефектните и/или неупотребливите електрични или електронски апарати мораат да бидат собрани во соодветните места за рециклирање.*

### Само за земји од ЕУ

Не ги депонирајте алатите во домашен отпад. Според Европското Упатство 2012/19/ ЕУ за отпадна електрична и електронска опрема и неговата имплементација во националното право, електричните алати кои веќе не се употребливи мораат да се собираат одделно и да се отстрануваат на еколошки начин.

## ГАРАНЦИЈА

Видете ги приложените гарантни термини.





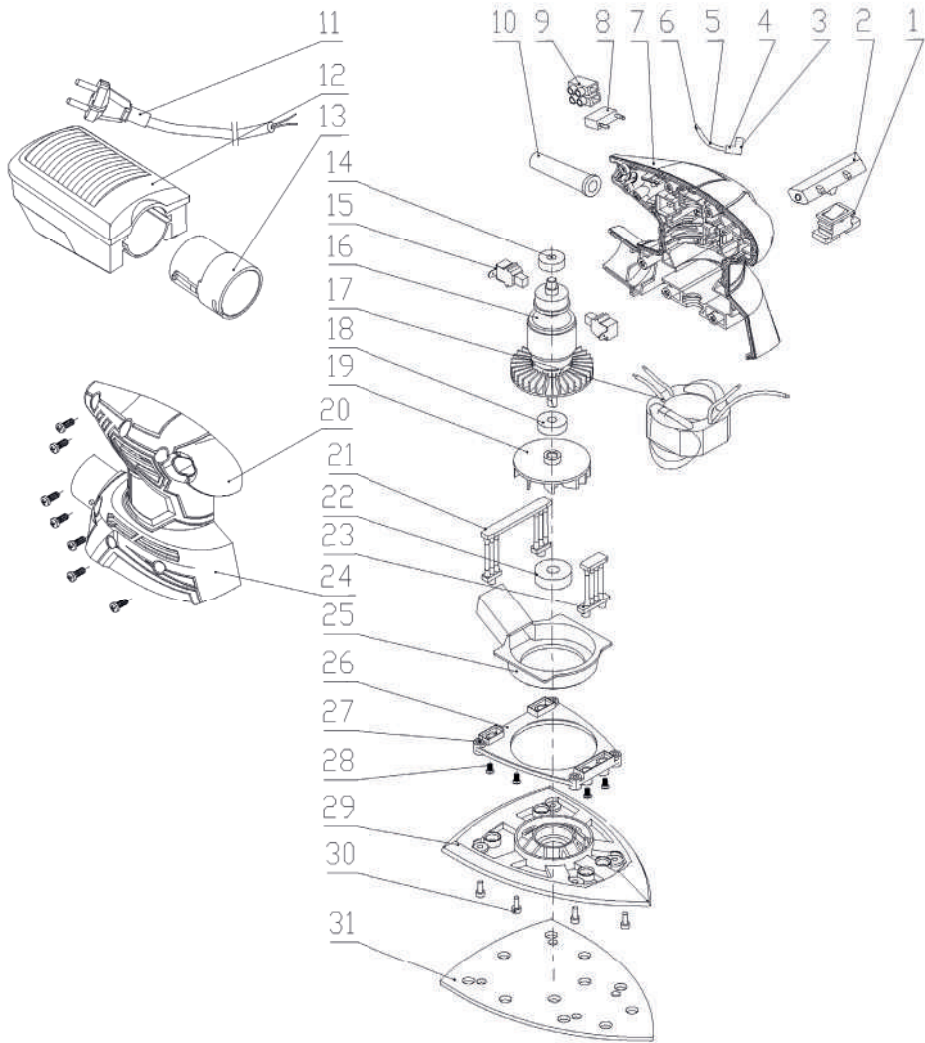


---

**Spare parts list****PSM1035**

<b>Article no.</b>	<b>Description</b>	<b>Position no.</b>
482054	Switch	1
482055	Carbon brush set (2pcs)	3
482056	Dust box	12
482057	Dust box adapter	13
482058	Bearing 607RS	14
482059	Rotor with Upper fan	16
482060	Stator	17
482061	Bearing 628RS	18
482062	Lower fan	19
482063	Large support bar	21
482064	Bearing 628RS	22
482065	Small support bar	23
482066	Base plate with sanding pad	29 31

**Exploded view**







## DECLARATION OF CONFORMITY PSM1035 - DETAIL SANDER

- (EN) We declare under our sole responsibility that this product is in conformity with directive 2011/65/EU of the European parliament and of the council of 8 June on the restriction of the use of certain hazardous substances in electrical and electronic equipment is in conformity and accordance with the following standards and regulations:
- (DE) Der Hersteller erklärt eigenverantwortlich, dass dieses Produkt der Direktive 2011/65/EU des Europäischen Parlaments und des Rats vom 8. Juni 2011 über die Einschränkung der Anwendung von bestimmten gefährlichen Stoffen in elektrischen und elektronischen Geräten entspricht, den folgenden Standards und Vorschriften entspricht:
- (NL) Wij verklaren onder onze volledige verantwoordelijkheid dat dit product voldoet aan de conform Richtlijn 2011/65/EU van het Europees Parlement en de Raad van 8 juni 2011 betreffende beperking van het gebruik van bepaalde gevaarlijke stoffen in elektrische en elektronische apparatuur en in overeenstemming is met de volgende standaarden en reguleringen:
- (FR) Nous déclarons sous notre seule responsabilité que ce produit est conforme aux standards et directives suivants: est conforme à la Directive 2011/65/EU du Parlement Européen et du Conseil du 8 juin 2011 concernant la limitation d'usage de certaines substances dangereuses dans l'équipement électrique et électronique.
- (ES) Declaramos bajo nuestra exclusiva responsabilidad que este producto cumple con las siguientes normas y estándares de funcionamiento: se encuentra conforme con la Directiva 2011/65/UE del Parlamento Europeo y del Consejo de 8 de junio de 2011 sobre la restricción del uso de determinadas sustancias peligrosas en los equipos eléctricos y electrónicos.
- (PT) Declaramos por nossa total responsabilidade que este produto está em conformidade e cumpre as normas e regulamentações que se seguem: está em conformidade com a Directiva 2011/65/UE do Parlamento Europeu e com o Conselho de 8 de Junho de 2011 no que respeita à restrição de utilização de determinadas substâncias perigosas existentes em equipamento eléctrico e electrónico.
- (IT) Dichiariamo, sotto la nostra responsabilità, che questo prodotto è conforme alle normative e ai regolamenti seguenti: è conforme alla Direttiva 2011/65/UE del Parlamento Europeo del Consiglio dell'8 giugno 2011 sulla limitazione dell'uso di determinate sostanze pericolose nelle apparecchiature elettriche ed elettroniche.
- (SV) Vi garanterar på eget ansvar att denna produkt uppfyller och följer följande standarder och bestämmelser: uppfyller direktiv 2011/65/EU från Europiska parlamentet och EG-rådet från den 8 juni 2011 om begränsningen av användning av farliga substanser i elektrisk och elektronisk utrustning.
- (FI) Vakuutamme yksinomaan omalla vastuullamme, että tämä tuote täyttää seuraavat standardit ja säädökset: täyttää Euroopan parlamentin ja neuvoston 8. kesäkuuta 2011 päivätyn direktiivin 2011/65/EU vaatimukset koskien vaarallisten aineiden käytön rajoitusta sähkö- ja elektronisissa laitteissa.
- (NO) Vi erklærer under vårt eget ansvar at dette produktet er i samsvar med følgende standarder og regler: er i samsvar med EU-direktivet 2011/65/EU fra Europa-parlamentet og Europarådet, pr. 8 juni 2011, om begrensning i bruken av visse farlige stoffer i elektrisk og elektronisk utstyr.
- (DA) Vi erklærer under eget ansvar, at dette produkt er i overensstemmelse med følgende standarder og bestemmelser: er i overensstemmelse med direktiv 2011/65/EU fra Europa-Parlamentet og Rådet af 8. juni 2011 om begrensning af anvendelsen af visse farlige stoffer i elektrisk og elektronisk udstyr.
- (HU) Felelősségünk teljes tudatában kijelentjük, hogy ez a termék teljes mértékben megfelel az alábbi szabványoknak és előírásoknak: je v souladu se směrnicí 2011/65/EU Evropského parlamentu a Rady ze dne 8. června 2011, která se týká omezení použití určitých nebezpečných látek v elektrických a elektronických zařízeních.
- (CS) Na naši vlastní zodpovědnost prohlašujeme, že je tento výrobek v souladu s následujícími standardy a normami: je v souladu s normou 2011/65/EU Evropského parlamentu a Rady z 8. června 2011 týkající se omezení používání určitých nebezpečných látek v elektrickém a elektronickém vybavení.
- (SK) Vyhlasujeme na našu výhradnú zodpovednosť, že tento výrobok je v zhode a súlade s nasledujúcimi normami a predpismi: je v súlade s normou 2011/65/EU Európskeho parlamentu a Rady z 8. júna 2011 týkajúcej sa obmedzenia používania určitých nebezpečných látok v elektrickom a elektronickom vybavení.
- (SL) S polno odgovornostjo izjavljamo, da je ta izdelek v skladu in da odgovarja naslednjim standardom ter predpisom: je v skladu z direktivo 2011/65/EU Evropskega parlamenta in Sveta z dne 8. junij 2011 o omejevanju uporabe določenih nevarnih snovi v električni in elektronski opremi.
- (PL) Deklarujemy na własną odpowiedzialność, że ten produkt spełnia wymogi zawarte w następujących normach i przepisach: jest zgodny z Dyrektywą 2011/65/UE Parlamentu Europejskiego i Rady z dnia 8 czerwca 2011 r. w sprawie ograniczenia stosowania niektórych niebezpiecznych substancji w sprzęcie elektrycznym i elektronicznym.
- (LT) Prisiimami visą atsakomybę deklaruojame, kad šis gaminyzas atitinka žemiau paminėtus standartus arba nuostatus: atitinka 2011 m. birželio 8 d. Europos Parlamento ir Tarybos direktyvą 2011/65/EB dėl tam tikrų pavojingų medžiagų naudojimo elektros ir elektroninėje įrangoje apribojimo.
- (LV) Ir atbilstoša Eiropas Parlamenta un Padomes 2011. gada 8. jūnija Direktīvai 2011/65/ES par dažu bīstamu vielu izmantošanu ierobežotāni elektriskās un elektroniskās iekārtās.
- (ET) Annullavajame ar visu altpidliku, ka šis produktis ir saskaņā ar atbilst sekjošiem standartiem un nolikumiem: ir atbilstoša Eiropas Parlamenta un Padomes 2011. gada 8. jūnija Direktīvai 2011/65/ES par dažu bīstamu vielu izmantošanu ierobežotāni elektriskās un elektroniskās iekārtās.
- (RO) Declaram prin aceasta cu răspunderea deplină că produsul acesta este în conformitate cu următoarele standarde sau directive: este în conformitate cu Directiva 2011/65/UE a Parlamentului European și a Consiliului din 8 iunie 2011 cu privire la interzicerea utilizării anumitor substanțe periculoase la echipamentele electrice și electronice.
- (HR) Izjavljujemo pod vlastitom odgovornošću da je strojem ukladan sa sljedećim standardima ili standardiziranim dokumentima i u skladu sa odredbama: uskladenosti s Direktivom 2011/65/EU europskog parlamenta i vijeća izdanom 8. lipnja 2011. o ograničenju korištenja određenih opasnih tvari u električnoj i elektronskoj opremi.
- (SR) Pod punom odgovornošću izjavljujemo da je uređaj usklađen sa sledećim standardima ili normama: usaglašen sa direktivom 2011/65/EU Evropskog parlamenta i Saveta od 8. juna 2011. godine za restrikciju upotrebe određenih opasnih materija u električnoj i elektronskoj opremi.
- (RU) Под свою ответственность заявляю, что данное изделие соответствует следующим стандартам и нормам: соответствует требованиям Директивы 2011/65/ЕU Европейского парламента и совета от 8 июня 2011 г. по ограничению использования определенных опасных веществ в электрическом и электронном оборудовании.
- (UK) Na svoju vlnasnu odgovornost izjavljujemo, što dane obladnania vidpovidae nastupnim standardam i normativami: zadovolvane vilomgi Direktivi 2011/65/EC Svropejskeho parlamentu ta Radi vid 8 cervna 2011 roku na obmedzenia vikoristannja nejakich nebezpeclnych recovnin v elektricnomu ta elektronickomu obladnanni.
- (EL) Δηλώνουμε υπεύθυνα ότι το προϊόν αυτό συμμορφώνεται με τρείς τους παρακάτω κανονισμούς και πρότυπα: συμμορφώνεται με την Οδηγία 2011/65/EE του Ευρωπαϊκού Κοινοβουλίου και του Συμβουλίου της 8ης Ιουνίου 2011 για τον περιορισμό της χρήσης ορισμένων επικίνδυνων ουσιών σε ηλεκτρικό και ηλεκτρονικό εξοπλισμό.
- (BG) Ние декларираме на наша отговорност, че този продукт отговаря на съответствие с Директива 2011/65/ЕС на Европейския парламент и на Съвета от 8 юни 2011 г. относно ограничението на употребата на определени опасни вещества в електрическото и електронното оборудване, в съответствие със следните стандарти и наредби:
- (AR) يهملنا تاهيجهتلاو ريهيماجله يمه فواتي يتنبأ انه ان اجه ان تالو يهجهتلاو ولاح يهجهتلاو:
- (TR) Tek sorumluslu biz olarak bu ürünün aşağıdaki standart ve yönetmelere uygun olduğunu beyan ederiz.

EN 55014-1, EN 55014-2, EN 62841-1, EN 62841-2-4,  
EN 61000-3-2, EN 61000-3-3

2014/30/EU, 2006/42/EC, 2012/19/EU, 2011/65/EU

Zwolle, 01-12-2021

H.G.F Rosberg  
CEO FERM

FERM - Lingenstraat 6 - 8028 PM - Zwolle - The Netherlands

