



20V CORDLESS JIG SAW JSM1039

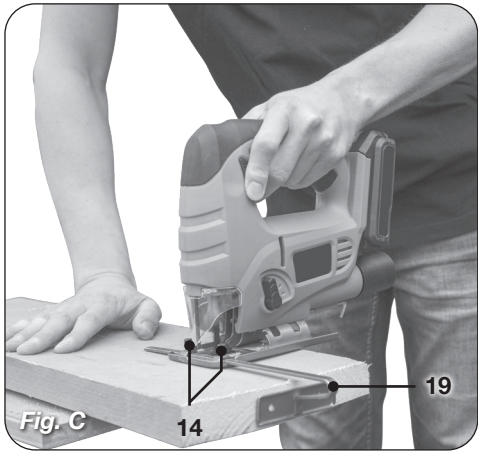
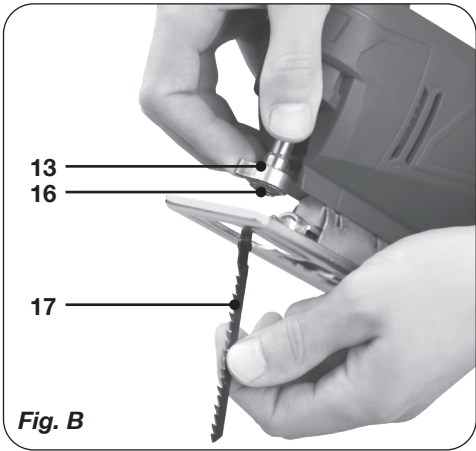
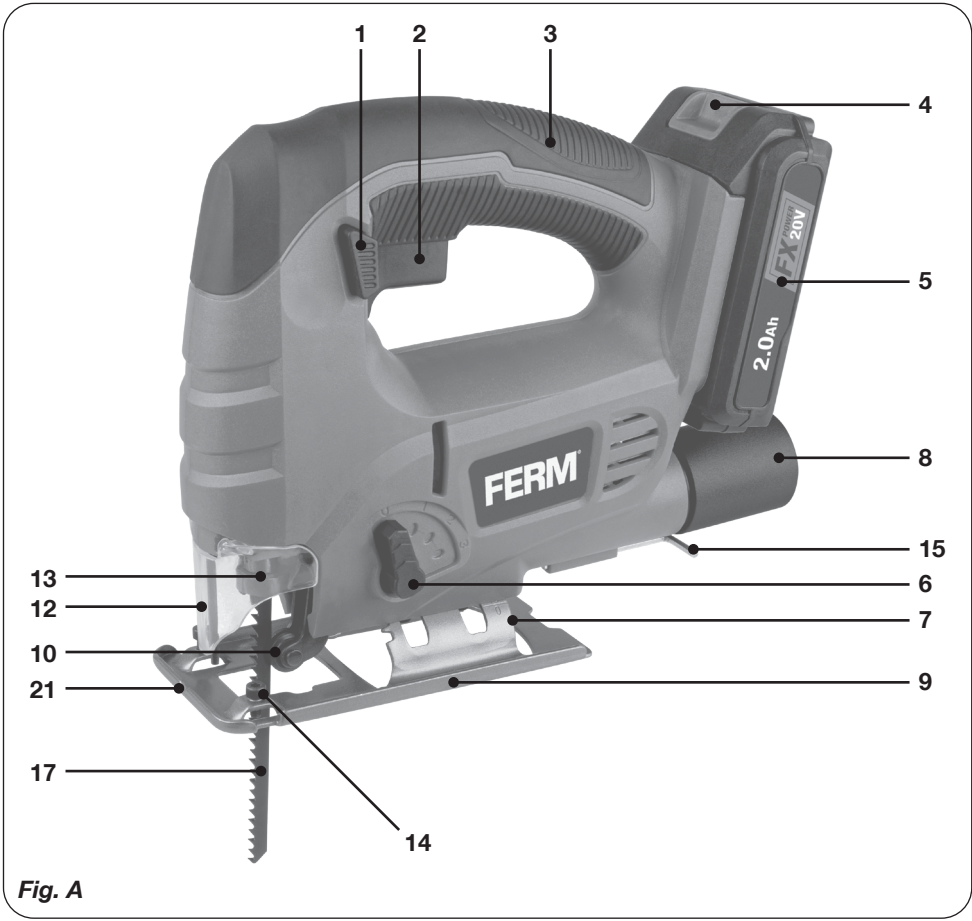
EN	Original instructions	04
PT	Tradução do manual original	10
HR	Prevedeno s izvornih uputa	17
RU	Перевод исходных инструкций	23
AR	ترجمة التعليمات الأصلية	31
TR	Orijinal talimatların çevirisi	36

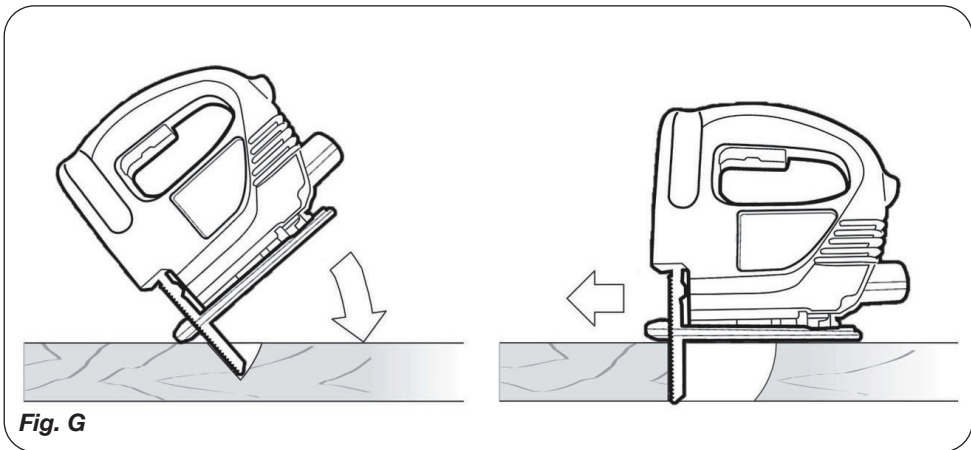
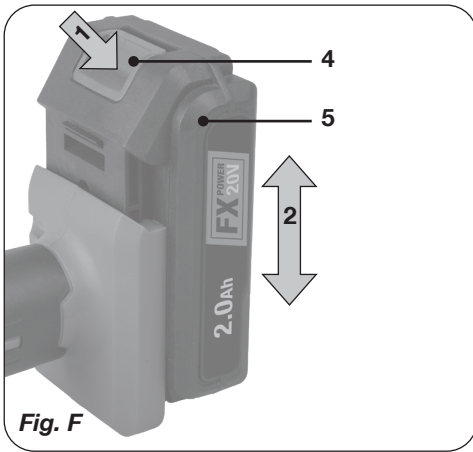
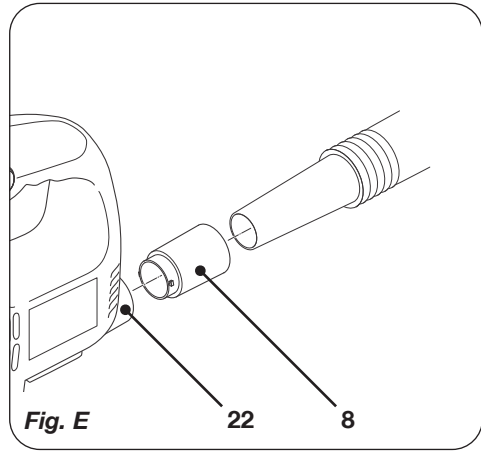
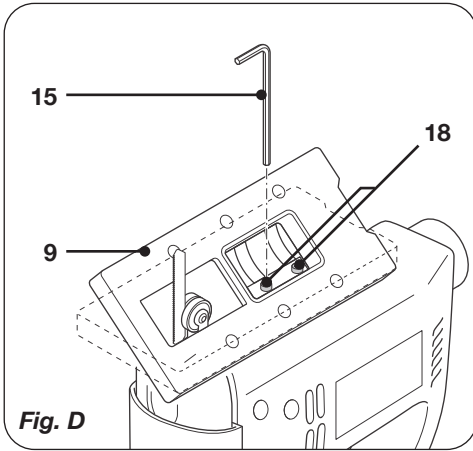


THE EXCHANGEABLE BATTERY PLATFORM



WWW.FERM.COM





JIG SAW JSM1039

Thank you for buying this FERM product. By doing so you now have an excellent product, delivered by one of Europe's leading suppliers. All products delivered to you by Ferm are manufactured according to the highest standards of performance and safety. As part of our philosophy we also provide an excellent customer service, backed by our comprehensive warranty. We hope you will enjoy using this product for many years to come.

1. SAFETY INSTRUCTIONS



Read the enclosed safety warnings, the additional safety warnings and the instructions. Failure to follow the safety warnings and the instructions may result in electric shock, fire and/or serious injury. **Save the safety warnings and the instructions for future reference.**

The following symbols are used in the user manual or on the product:



Read the user manual.



Denotes risk of personal injury, loss of life or damage to the tool in case of non-observance of the instructions in this manual.



Variable electronic speed.



Wear safety goggles.
Wear hearing protection.



Wear a dust mask.



Do not dispose of the product in unsuitable containers.



The product is in accordance with the applicable safety standards in the European directives.

GENERAL POWER TOOL SAFETY WARNINGS



WARNING!

Read all safety warnings and all instructions. Failure to follow the warnings and instructions may result in electric shock, fire and/or serious injury.

Save all warnings and instructions for future reference. The term "power tool" in the warnings refers to your mains-operated (corded) power tool or battery-operated (cordless) power tool.

1) Work area safety

- Keep work area clean and well lit.** Cluttered or dark areas invite accidents.
- Do not operate power tools in explosive atmospheres, such as in the presence of flammable liquids, gases or dust.** Power tools create sparks which may ignite the dust or fumes.
- Keep children and bystanders away while operating a power tool.** Distractions can cause you to lose control.

2) Electrical safety

- Power tool plugs must match the outlet. Never modify the plug in any way. Do not use any adapter plugs with earthed (grounded) power tools.** Unmodified plugs and matching outlets will reduce risk of electric shock.
- Avoid body contact with earthed or grounded surfaces, such as pipes, radiators, ranges and refrigerators.** There is an increased risk of electric shock if your body is earthed or grounded.
- Do not expose power tools to rain or wet conditions.** Water entering a power tool will increase the risk of electric shock.
- Do not abuse the cord. Never use the cord for carrying, pulling or unplugging the power tool. Keep cord away from heat, oil, sharp edges or moving parts.** Damaged or entangled cords increase the risk of electric shock.
- When operating a power tool outdoors, use an extension cord suitable for outdoor use.** Use of a cord suitable for outdoor use reduces the risk of electric shock.

- f) **If operating a power tool in a damp location is unavoidable, use a residual current device (RCD) protected supply.** *Use of an RCD reduces the risk of electric shock.*
- 3) Personal safety**
- a) **Stay alert, watch what you are doing and use common sense when operating a power tool. Do not use a power tool while you are tired or under the influence of drugs, alcohol or medication.** *A moment of inattention while operating power tools may result in serious personal injury.*
- b) **Use personal protective equipment. Always wear eye protection.** *Protective equipment such as dust mask, non-skid safety shoes, hard hat, or hearing protection used for appropriate conditions will reduce personal injuries.*
- c) **Prevent unintentional starting. Ensure the switch is in the off-position before connecting to power source and/or battery pack, picking up or carrying the tool.** *Carrying power tools with your finger on the switch or energising power tools that have the switch on invites accidents.*
- d) **Remove any adjusting key or wrench before turning the power tool on.** *A wrench or a key left attached to a rotating part of the power tool may result in personal injury.*
- e) **Do not overreach. Keep proper footing and balance at all times.** *This enables better control of the power tool in unexpected situations.*
- f) **Dress properly. Do not wear loose clothing or jewellery. Keep your hair, clothing and gloves away from moving parts.** *Loose clothes, jewellery or long hair can be caught in moving parts.*
- g) **If devices are provided for the connection of dust extraction and collection facilities, ensure these are connected and properly used.** *Use of dust collection can reduce dust related hazards.*
- h) **Do not let familiarity gained from frequent use of tools allow you to become complacent and ignore tool safety principles.** *A careless action can cause severe injury within a fraction of a second.*
- 4) Power tool use and care**
- a) **Do not force the power tool. Use the correct power tool for your application.** *The correct power tool will do the job better and safer at the rate for which it was designed.*
- b) **Do not use the power tool if the switch does not turn it on and off.** *Any power tool that cannot be controlled with the switch is dangerous and must be repaired.*
- c) **Disconnect the plug from the power source and/or the battery pack from the power tool before making any adjustments, changing accessories, or storing power tools.** *Such preventive safety measures reduce the risk of starting the power tool accidentally.*
- d) **Store idle power tools out of the reach of children and do not allow persons unfamiliar with the power tool or these instructions to operate the power tool.** *Power tools are dangerous in the hands of untrained users.*
- e) **Maintain power tools. Check for misalignment or binding of moving parts, breakage of parts and any other condition that may affect the power tool's operation. If damaged, have the power tool repaired before use.** *Many accidents are caused by poorly maintained power tools.*
- f) **Keep cutting tools sharp and clean.** *Properly maintained cutting tools with sharp cutting edges are less likely to bind and are easier to control.*
- g) **Use the power tool, accessories and tool bits etc. in accordance with these instructions, taking into account the working conditions and the work to be performed.** *Use of the power tool for operations different from those intended could result in a hazardous situation.*
- h) **Keep handles and grasping surfaces dry, clean and free from oil and grease.** *Slippery handles and grasping surfaces do not allow for safe handling and control of the tool in unexpected situations.*
- 5) Battery tool use and care**
- a) **Recharge only with the charger specified by the manufacturer.** *A charger that is suitable for one type of battery pack may create a risk of fire when used with another battery pack.*

- b) **Use power tools only with specifically designated battery packs.** *Use of any other battery packs may create a risk of injury and fire.*
 - c) **When battery pack is not in use, keep it away from other metal objects, like paper clips, coins, keys, nails, screws or other small metal objects that can make a connection from one terminal to another.** *Shorting the battery terminals together may cause burns or a fire.*
 - d) **Under abusive conditions, liquid may be ejected from the battery; avoid contact. If contact accidentally occurs, flush with water. If liquid contacts eyes, additionally seek medical help.** *Liquid ejected from the battery may cause irritation or burns.*
 - e) **Do not use a battery pack or tool that is damaged or modified.** *Damaged or modified batteries may exhibit unpredictable behaviour resulting in fire, explosion or risk of injury.*
 - f) **Do not expose a battery pack or tool to fire or excessive temperature.** *Exposure to fire or temperature above 130 °C may cause explosion. NOTE The temperature „130 °C“ can be replaced by the temperature „265 °F“.*
 - g) **Follow all charging instructions and do not charge the battery pack or tool outside the temperature range specified in the instructions.** *Charging improperly or at temperatures outside the specified range may damage the battery and increase the risk of fire.*
- 6) **Service**
- a) **Have your power tool serviced by a qualified repair person using only identical replacement parts.** *This will ensure that the safety of the power tool is maintained.*
 - b) **Never service damaged battery packs.** *Service of battery packs should only be performed by the manufacturer or authorized service providers.*

SAFETY WARNINGS FOR JIG SAWS

- **Hold the power tool by insulated gripping surfaces, when performing an operation where the cutting accessory may contact hidden wiring or its own cord.** Cutting accessory contacting a “live” wire may make exposed metal parts of the power tool “live” and could give the operator an electric shock.

- **Keep hands away from the sawing range. Do not reach under the workpiece.** Contact with the saw blade can lead to injuries.
- **Apply the machine to the workpiece only when switched on.** Otherwise there is danger of kickback when the cutting tool jams in the workpiece.
- **Pay attention that the base plate rests securely on the material while sawing.** A jammed saw blade can break or lead to kickback.
- **When the cut is completed, switch off the machine and then pull the saw blade out of the cut only after it has come to a standstill.** In this manner you can avoid kickback and can place down the machine securely.
- **Use only undamaged saw blades that are in perfect condition.** Bent or dull saw blades can break, negatively influence the cut, or lead to kickback.
- **Do not brake the saw blade to a stop by applying side pressure after switching off.** The saw blade can be damaged, break or cause kickback.
- **Use appropriate detectors to determine if utility lines are hidden in the work area or call the local utility company for assistance.** Contact with electric lines can lead to fire and electric shock. Damaging a gas line can lead to explosion. Penetrating a water line causes property damage.
- **Use clamps or another practical way to secure and support the workpiece to a stable platform.** Holding the workpiece by hand or against your body leaves it unstable and may lead to loss of control.
- **Always wait until the machine has come to a complete stop before placing it down.** The tool insert can jam and lead to loss of control over the power tool.

2. MACHINE INFORMATION

Intended use

The machine is intended for sawing wood, metal, plastics, ceramics, rubber, etc. to any required size and in any required shape, while keeping the baseplate resting firmly on the workpiece. A suitable saw blade must always be used.

Technical specifications

Model No.	JSM1039
Voltage	20V DC
No load speed	0-2300/min
Saw stroke	18mm
Max. saw capacity wood 0°	80mm
Max. saw capacity steel 0°	6mm
Weight	1.85 kg
Sound pressure level LPA	87.8 dB(A), K=3dB(A)
Sound power level LWA	98.8 dB(A), K=3dB(A)
Vibration 'sawing sheet metal'	4.372 m/s ² K=1.5 m/s ²
Vibration 'sawing plywood'	6.627 m/s ² K=1.5 m/s ²

Only use the following batteries of the FX-POWER 20V battery platform. Using any other batteries could cause serious injury or damage the tool.

CDA1167 20V, 2Ah Lithium-Ion
CDA1168 20V, 4Ah Lithium-Ion

The following charger of the can be used to charge these batteries.

CDA1169 Charger adapter
CDA1170 Quick charger
CDA1172 Quick charger

The batteries of the FX-POWER 20V battery platform are interchangeable with all the FERM FX-POWER battery platform tools.

Vibration level

The vibration emission level stated in this instruction manual has been measured in accordance with a standardised test given in EN 62841; it may be used to compare one tool with another and as a preliminary assessment of exposure to vibration when using the tool for the applications mentioned:

- using the tool for different applications, or with different or poorly maintained accessories, may significantly increase the exposure level
- the times when the tool is switched off or when it is running but not actually doing the job, may significantly reduce the exposure level.

Protect yourself against the effects of vibration by maintaining the tool and its accessories, keeping your hands warm, and organizing your work patterns.

Description

The numbers in the text refer to the diagrams on page 2 and 3.

1. Lock-off button
2. On/off switch
3. Handle
4. Battery (not included)
5. Battery unlock button
6. Pendulum action switch
7. Scale for bevel angle
8. Vacuum cleaner adapter
9. Baseplate
10. Guide roller
12. Guard
13. Clamping lever
14. Bolts for parallel guide
15. Hex key
16. Chuck
17. Saw blade
18. Bolt for baseplate
19. Parallel guide
21. Cutting mark
22. Dust extraction connection

3. ASSEMBLY



Before any work on the power tool, remove the battery.



The battery must be charged before first use.

Inserting the battery into the machine

Fig. F



Ensure that the exterior of the battery is clean and dry before connecting to the charger or machine.

1. Insert the battery (4) into the base of the machine as shown in Fig. F.
2. Push the battery further forward until it clicks into place.

Removing the battery from the machine

Fig. F

1. Push the battery unlock button (5).
2. Pull the battery out of the machine like shown in Fig. F.

Replacing the saw blade

Fig. A, B



When mounting the saw blade, wear protective gloves. Danger of injury when touching the saw blade.



Only use saw blades that correspond with the characteristic data given in the operating instructions.

Fold the Guard (12) upwards before replacing the saw blade. Always saw with the guard folded downwards.

Mounting the saw blade

Make sure the blade holder is free of material debris (such as splinters of wood or metal).

1. Turn the clamping lever (13) as far to the left as possible and hold it in this position.
2. Insert the saw blade in the chuck (16). Check that the saw blade is securely fixed and that the teeth are pointing in the cutting direction.
3. Let go of the clamping lever. Check whether the back of the saw blade is positioned in the centre of the guide roller (10). Make sure to use the right sawblade for the corresponding material. Included with the machine is a coarse sawblade for wood and a fine sawblade for metal and plastics.

Removing the saw blade

1. Turn the clamping lever (13) as far to the left as possible and hold it in this position.
2. Remove the saw blade from the chuck (16).
3. Let go of the clamping lever.

Attaching the parallel guide

Fig. C

1. Loosen the bolts (14).
2. Mount the parallel guide (19) onto the baseplate (9).
3. Set the desired cutting width using the scale on the parallel guide (19) and the cutting mark on the baseplate (9). The cutting mark (21) indicates the position of the saw blade.
4. Tighten the bolts (14).

4. OPERATION

Switching the machine on/off

Fig. A

The on/off switch (2) is used for activating the machine and adjusting speed.

- To start the machine, press and hold the lockoff button (1) and press the on/off switch (2).
- The further the on/off switch (2) is being pushed, the faster the blade will move. The required speeds depends on the material and can be determined by practical testing.
- To stop the machine, release the on/off switch (2).

Adjusting the bevel angle

Fig. A, D

1. Loosen the bolts (18), using the hex key (15).
2. Adjust the baseplate (9) to the desired position (0° - 45°). The sawing angle (bevel) can be read on the scale (7).
3. Tighten the bolts (18), using the hex key (15). It is possible to store the hex key onto the machine, as shown on Fig. A.

Adjusting the pendulum action

Fig. A

The pendulum action switch (6) is used to set the way in which the teeth of the saw blade grip the material. The pendulum action switch can be set to 4 positions:

- 0 - No pendulum action
- 1 - Small pendulum action
- 2 - Medium pendulum action
- 3 - Large pendulum action

The required pendulum action can be determined by practical testing, although the following instructions can be observed:

- Soft material (wood, plastics etc.): set the pendulum to level II or III. For a finer and cleaner saw cut, use pendulum level 0 or I.
- Thin material, use pendulum level 0.
- Hard material (hardwood, steel etc.): set the pendulum to level 0.
- Curves: set pendulum to level 0.

Dust extraction

Fig. E

- Insert the dust extraction adapter (8) into the dust extraction connection (22).
- Connect the hose of a vacuum cleaner to the dust extraction adapter (8).

Plunge cutting

Fig. G

Plunge cutting may only be used on soft materials such as wood, aerated concrete, gypsum plaster boards, etc. However, this requires a certain practice and is only possible with short saw blades.

1. Place the saw onto the workpiece and switch it on.
2. Ensure that the bottom edge of the footplate rests on the workpiece surface as shown on Fig. G.
3. Slowly saw into the workpiece at an angle, moving the saw to a vertical position and continue to saw along the cutting line.
4. Switch the saw off and lift off the workpiece when the work is complete.

Optimum use

- Clamp the workpiece. Use a clamping device for small workpieces.
- Draw a line to define the direction in which to guide the saw blade.
- Firmly hold the machine by the grip.
- Set the sawing speed.
- Set the mitre angle.
- Switch on the machine.
- Wait until the machine has reached full speed.
- Place the saw shoe on the workpiece.
- Slowly move the machine along the pre-drawn line, firmly pressing the saw shoe against the workpiece.
- Do not apply too much pressure on the machine. Let the machine do the work.
- Switch off the machine and wait for the machine to come to a complete standstill before putting the machine down.

5. MAINTENANCE



Before cleaning and maintenance, always switch off the machine and remove the battery pack from the machine.

Clean the machine casings regularly with a soft cloth, preferably after each use. Make sure that the ventilation openings are free of dust and dirt. Remove very persistent dirt using a soft cloth moistened with soapsuds. Do not use any solvents such as gasoline, alcohol, ammonia, etc. Chemicals such as these will damage the synthetic components.

ENVIRONMENT



Faulty and/or discarded electrical or electronic apparatus have to be collected at the appropriate recycling locations.

Only for EC countries

Do not dispose of power tools into domestic waste. According to the European Guideline 2012/19/EC for Waste Electrical and Electronic Equipment and its implementation into national right, power tools that are no longer usable must be collected separately and disposed of in an environmentally friendly way.

WARRANTY

FERM products are developed to the highest quality standards and are guaranteed free of defects in both materials and workmanship for the period lawfully stipulated starting from the date of original purchase. Should the product develop any failure during this period due to defective material and/or workmanship then contact your FERM dealer directly.

The following circumstances are excluded from this guarantee:

- Repairs and or alterations have been made or attempted to the machine by unauthorized service centers.
- Normal wear and tear.
- The tool has been abused, misused or improperly maintained.
- Non-original spare parts have been used

This constitutes the sole warranty made by company either expressed or implied. There are no other warranties expressed or implied which extend beyond the face hereof, herein, including the implied warranties of merchantability and fitness for a particular purpose. In no event shall FERM be liable for any incidental or consequential damages. The dealers remedies shall be limited to repair or replacement of nonconforming units or parts.

The product and the user manual are subject to change. Specifications can be changed without further notice.

SERRA DE VAIVÉM JSM1039

Obrigado por ter adquirido este produto da FERM. Ao fazê-lo, adquiriu um excelente produto, fornecido por um dos principais fornecedores da Europa. Todos os produtos fornecidos pela FERM são fabricados de acordo com os mais elevados padrões de desempenho e segurança. Como parte da nossa filosofia, fornecemos também um excelente serviço de assistência ao cliente, apoiado pela nossa garantia abrangida. Esperamos que aprecie utilizar este produto durante muitos anos.

1. INSTRUÇÕES DE SEGURANÇA



Leia os avisos de segurança fornecidos, os avisos de segurança adicionais e as instruções. O não

cumprimento dos avisos de segurança e das instruções pode resultar em choque eléctrico, incêndio e/ou ferimentos graves. **Guarde os avisos de segurança e as instruções para referência futura.**

Os seguintes símbolos são utilizados no manual do utilizador ou no produto:



Leia o manual do utilizador.



Indica o risco de ferimentos, morte ou danos na ferramenta se as instruções indicadas neste manual não forem seguidas.



Velocidade electrónica variável.



Use óculos de segurança.
Use protecção auricular.



Use uma máscara anti-poeira.



Não elimine o produto em recipientes não adequados.



O produto está em conformidade com as normas de segurança aplicáveis nas directivas europeias.

AVISOS GERAIS DE SEGURANÇA SOBRE A FERRAMENTA ELÉCTRICA



AVISO!

Leia todos os avisos de segurança e instruções. O não cumprimento dos avisos de segurança e as instruções podem resultar em choque eléctrico, incêndio e/ou ferimentos graves.

Guarde todos os avisos e instruções para referência futura. O termo “ferramenta eléctrica” indicado nos avisos diz respeito à ferramenta eléctrica com alimentação pela rede (com fio) ou por bateria (sem fio).

- 1) **Segurança na área de trabalho**
 - a) **Mantenha a área de trabalho limpa e devidamente iluminada.** As áreas obstruídas ou escuras são propícias para acidentes.
 - b) **Não utilize ferramentas eléctricas em atmosferas explosivas, por exemplo, na presença de líquidos inflamáveis, gases ou poeiras.** As ferramentas eléctricas produzem faíscas que podem causar ignição de poeiras ou vapores.
 - c) **Quando utilizar uma ferramenta eléctrica, mantenha as crianças e transeuntes afastados.** As distrações podem causar perda de controlo.
- 2) **Segurança eléctrica**
 - a) **As fichas da ferramenta eléctrica devem corresponder à tomada. Nunca modifique, de forma alguma, a ficha. Não utilize quaisquer fichas adaptadoras com ferramentas eléctricas ligadas à terra (massa).** As fichas e tomadas correspondentes não modificadas reduzem o risco de choque eléctrico.
 - b) **Evite o contacto do corpo com superfícies ligadas à terra ou massa, como tubos, radiadores, fogões ou frigoríficos.** Há um maior risco de choque eléctrico se o corpo estiver ligado à terra ou à massa.
 - c) **Não exponha as ferramentas eléctricas à chuva ou a ambientes húmidos.** A entrada de água numa ferramenta eléctrica aumenta o risco de choque eléctrico.

- d) **Não utilize o cabo de maneira abusiva. Nunca utilize o cabo para transportar, puxar ou desligar a ferramenta eléctrica. Mantenha o cabo afastado de fontes de calor, óleo, extremidades afiadas ou peças móveis. Cabos danificados ou enrolados aumenta o risco de choque eléctrico.**
- e) **Quando utilizar uma ferramenta eléctrica no exterior, opte por uma extensão adequada para utilização no exterior. A utilização de um cabo adequado para utilização no exterior reduz o risco de choque eléctrico.**
- f) **Se não for possível evitar trabalhar com uma ferramenta eléctrica num local húmido, utilize uma fonte de alimentação protegida por um dispositivo de corrente residual (DCR). A utilização de um DCR reduz o risco de choque eléctrico.**
- 3) Segurança eléctrica**
- a) **Esteja atento, preste atenção ao que está a fazer e tenha bom senso quando utilizar uma ferramenta eléctrica. Não utilize uma ferramenta eléctrica quando estiver cansado ou sob o efeito de drogas, álcool ou medicamentos. Um momento de distração durante a utilização de ferramentas eléctricas pode resultar em ferimentos graves.**
- b) **Use equipamento de protecção individual. Use sempre protecção ocular. O equipamento de protecção, como, por exemplo, máscara contra o pó, sapatos de segurança antiderrapantes, capacete de segurança ou protecção auditiva, utilizado nas condições adequadas, reduz o risco de ferimentos.**
- c) **Evite um arranque accidental. Assegure-se de que o gatilho está desligado antes de ligar a ferramenta à corrente eléctrica e/ou as baterias e antes de levantar ou transportar a ferramenta. O transporte de ferramentas eléctricas com o dedo colocado no interruptor ou a ligação à corrente das ferramentas eléctricas com o interruptor ligado pode dar origem a acidentes.**
- d) **Retire eventuais chaves de ajuste ou chaves de fendas antes de ligar a ferramenta eléctrica. Uma chave de fenda ou de ajuste montada numa peça rotativa da ferramenta eléctrica pode causar ferimentos.**
- e) **Não tente chegar a pontos fora do alcance. Mantenha-se sempre numa posição firme e bem equilibrada. Desta forma, será mais fácil controlar a ferramenta eléctrica em situações inesperadas.**
- f) **Use vestuário adequado. Não use roupa larga ou jóias. Mantenha o cabelo, a roupa e as jóias afastados das peças móveis. As roupas largas, as jóias ou o cabelo comprido podem ficar presos nestas peças.**
- g) **Se for prevista a montagem de dispositivos de extracção e recolha de poeiras, assegure-se de que estão ligados e que são utilizados de maneira correcta. A utilização de dispositivos de extracção de poeiras pode reduzir os riscos inerentes.**
- h) **Não permita que a familiaridade obtida através do uso frequente de ferramentas faça com que seja complacente e ignore os princípios de segurança da ferramenta. Uma acção irreflectida pode causar ferimentos graves numa fracção de segundos.**
- 4) Utilização e cuidados a ter com a ferramenta com baterias**
- a) **Não sobrecarregue a ferramenta eléctrica. Utilize a ferramenta eléctrica correcta para o seu trabalho. A ferramenta eléctrica adequada efectua o trabalho de maneira mais eficiente e segura se for utilizada de acordo com a capacidade para a qual foi concebida.**
- b) **Não utilize a ferramenta eléctrica se não conseguir ligar ou desligar o gatilho. Qualquer ferramenta eléctrica que não possa ser controlada através do gatilho é perigosa e tem de ser reparada.**
- c) **Retire a ficha da fonte de alimentação e/ou a bateria da ferramenta eléctrica, caso seja possível fazê-lo, antes de efectuar quaisquer ajustes, substituir acessórios ou guardar ferramentas eléctricas. Estas medidas de segurança preventivas reduzem o risco de ligar a ferramenta eléctrica acidentalmente.**
- d) **Mantenha as ferramentas eléctricas que não estiverem a ser utilizadas fora do alcance das crianças. Não permita que a ferramenta eléctrica seja utilizada por pessoas não familiarizadas com a mesma ou que não tenham lido estas instruções. As ferramentas eléctricas são perigosas**

nas mãos de pessoas que não possuam as qualificações necessárias para manuseá-las.

- e) **Faça a manutenção das ferramentas eléctricas.** Verifique se as peças móveis da ferramenta eléctrica estão alinhadas e não bloqueiam, bem como se existem peças partidas ou danificadas ou quaisquer outras condições que possam afectar o funcionamento da mesma. Se a ferramenta eléctrica estiver danificada, esta não deve ser utilizada até que seja reparada. Muitos acidentes têm como principal causa ferramentas eléctricas com uma manutenção insuficiente.
- f) **Mantenha as ferramentas de corte afiadas e limpas.** As ferramentas de corte sujeitas a uma manutenção adequada, com arestas de corte afiadas, bloqueiam com menos frequência e controlam-se com maior facilidade.
- g) **Utilize a ferramenta eléctrica, os acessórios e as peças de ferramenta, etc., de acordo com estas instruções, considerando as condições de trabalho e a tarefa a ser executada.** A utilização da ferramenta eléctrica para fins diferentes dos previstos pode resultar em situações perigosas.
- h) **Mantenha as pegas e as superfícies de fixação secas, limpas e sem óleo e gordura.** As pegas escorregadias e as superfícies de fixação não permitem o manuseamento seguro e o controlo da ferramenta em situações imprevistas.
- 5) Utilização e cuidados a ter com a ferramenta com baterias**
- a) **Recarregue apenas com o carregador especificado pelo fabricante.** Um carregador adequado para um tipo de bateria pode causar um incêndio se for utilizado com outra bateria.
- b) **Utilize apenas ferramentas eléctricas que tenham pilhas especificamente concebidas.** A utilização de outro tipo de baterias pode causar ferimentos e incêndio.
- c) **Quando não utilizar a bateria, mantenha-a afastada de outros objectos metálicos, tais como cliques para papel, moedas, chaves, pregos, parafusos ou outros pequenos objectos metálicos que permitam fazer a ligação de um terminal para outro.** O curto-circuito dos terminais da bateria pode causar queimaduras ou um incêndio.
- d) **Em condições abusivas, o líquido da pilha pode verter.** Evite o contacto. Se tocar acidentalmente no líquido, lave bem com água. Se o líquido entrar em contacto com os olhos, consulte um médico. O líquido derramado da bateria pode causar irritação ou queimaduras.
- e) **Não utilize baterias ou ferramentas danificadas ou modificadas.** As baterias danificadas ou modificadas podem ter um comportamento inesperado, resultando em incêndio, explosão ou risco de ferimentos.
- f) **Não exponha as baterias ou as ferramentas ao fogo ou a temperaturas excessivas.** A exposição a fogo ou a temperaturas superiores a 130 °C podem causar uma explosão. *NOTA: a temperatura "130 °C" pode ser substituída pela temperatura "265 °F".*
- g) **Siga todas as instruções de carregamento e não carregue a bateria ou a ferramenta fora do intervalo de temperaturas especificado nas instruções.** O carregamento inadequado ou de acordo com temperaturas fora do intervalo especificado pode danificar a bateria e aumentar o risco de incêndio.
- 6) Assistência**
- a) **A sua ferramenta eléctrica só deve ser reparada por pessoal qualificado e só devem ser utilizadas peças sobressalentes idênticas.** Desta forma, é garantida a segurança da ferramenta eléctrica.
- b) **Nunca repare baterias danificadas.** A reparação de baterias deve ser efectuada apenas pelo fabricante ou fornecedores de assistência autorizados.

AVISOS DE SEGURANÇA PARA SERRAS DE VAIVÉM

- **Segure a ferramenta eléctrica pelas superfícies de fixação isoladas quando efectuar uma operação em que o acessório de corte possa entrar em contacto com fios ocultos ou com o próprio cabo da ferramenta.** Um acessório de corte que entre em contacto com um fio sob tensão

eléctrica pode fazer com que as peças de metal expostas da ferramenta conduzam electricidade e electrocutem o utilizador.

- **Mantenha as mãos afastadas do alcance da serra. Nunca manuseie a parte inferior da peça de trabalho.** O contacto com a lâmina da serra pode causar ferimentos.
- **Só deve colocar a máquina em contacto com a peça de trabalho depois de ligá-la.** Caso contrário, há o risco do efeito de recuo se a ferramenta de corte ficar encravada na peça de trabalho.
- **Quando estiver a serrar, a placa de base deve assentar com firmeza no material.** Uma lâmina de serra encravada pode partir-se ou causar o efeito de recuo.
- **Quando o corte for concluído, desligue a máquina e depois puxe a lâmina da serra para fora da área de corte depois de parar por completo.** Assim, pode evitar o efeito de recuo e pode pousar a máquina em segurança.
- **Utilize apenas lâminas de serra não danificadas que estejam em condições perfeitas.** As lâminas de serra dobradas ou embotadas podem partir-se, o que pode afectar o corte ou causar o efeito de recuo.
- **Depois de desligar a ferramenta, não aplique uma pressão lateral para parar a rotação da lâmina da serra.** A lâmina da serra pode ficar danificada, partir-se ou causar o efeito de recuo.
- **Utilize detectores adequados para determinar se as linhas de abastecimento de energia estão ocultadas na área de trabalho ou contacte a empresa de serviços públicos para obter assistência.** O contacto com linhas eléctricas pode dar origem a um incêndio e choque eléctrico. Os danos numa conduta de gás podem dar origem a uma explosão. A perfuração de uma linha de água causa danos materiais.
- **Utilize grampos ou outra maneira de fixar e suportar a peça de trabalho numa plataforma estável.** Se segurar a peça de trabalho com a mão ou contra o corpo, a peça pode ficar instável e causar perda de controlo.
- **Antes de pousar a máquina, aguarde sempre até esta parar por completo.** O suporte de ferramentas pode encravar e

resultar em perda de controlo da ferramenta eléctrica.

2. INFORMAÇÕES SOBRE A MÁQUINA

Utilização pretendida

A máquina foi concebida para serrar madeira, metal, plásticos, cerâmica, borracha, etc., para qualquer tamanho necessário e qualquer forma pretendida, devendo manter a placa de base apoiada com firmeza sobre a peça de trabalho. Deve ser sempre utilizada uma lâmina de serra adequada.

Especificações técnicas

N.º do modelo	JSM1039
Tensão	20 V CC
Sem velocidade de carga	0-2300/min
Curso da serra	18 mm
Capacidade máx. de serragem de madeira 0°	80 mm
Capacidade máx. de serragem de aço 0°	6 mm
Peso	1,85 kg
Nível de pressão sonora LPA	87,8 dB(A), K = 3 dB(A)
Nível de potência sonora LWA	98,8 dB(A), K = 3 dB(A)
Vibração da "serragem de chapa metálica"	4,372 m/s ² K = 1,5 m/s ²
Vibração da "serragem de contraplacado"	6,627 m/s ² K = 1,5 m/s ²

Utilize apenas as seguintes baterias da plataforma de baterias FX-POWER, 20 V. A utilização de quaisquer outras baterias podem causar ferimentos graves ou danos na ferramenta.

CDA1167 lões de lítio, 20 V, 2 Ah
CDA1168 lões de lítio, 20 V, 4 Ah

O seguinte carregador pode ser utilizado para carregar estas baterias.

CDA1169 Carregador adaptador
CDA1170 Carregador rápido
CDA1172 Carregador rápido

As baterias da plataforma FX-POWER, 20 V são intercambiáveis com todas as ferramentas da plataforma de baterias FERM FX-POWER.

Nível de vibração

O nível de emissão de vibrações indicado neste manual de instruções foi medido em conformidade com um teste padrão especificado pela norma EN 62841; pode ser utilizado para comparar ferramentas e como avaliação preliminar da exposição a vibrações quando utilizar a ferramenta para as aplicações indicadas:

- A utilização da ferramenta para aplicações diferentes, ou com acessórios diferentes ou com uma manutenção deficiente, pode aumentar consideravelmente o nível de exposição
- O número de vezes que a ferramenta é desligada ou está ligada, mas não está a ser utilizada, pode reduzir significativamente o nível de exposição.

Proteja-se contra os efeitos da vibração, através de uma manutenção da ferramenta e dos respectivos acessórios, mantendo as mãos quentes e organizando os seus padrões de trabalho.

Descrição

Os números indicados no texto dizem respeito aos diagramas nas páginas 2 e 3.

1. Botão de desbloqueio
2. Interruptor para ligar/desligar
3. Pega
4. Bateria (não incluída)
5. Botão de desbloqueio da bateria
6. Interruptor de acção pendular
7. Régua para ângulo em bisel
8. Adaptador para aspirador
9. Placa da base
10. Rolo-guia
12. Protecção
13. Alavanca de fixação
14. Parafusos para guia paralela
15. Chave hexagonal
16. Mandril
17. Lâmina da serra
18. Parafuso para a placa de base
19. Guia paralela
21. Marca de corte
22. Ligação para extracção de poeiras

3. MONTAGEM



Retire a bateria antes de efectuar qualquer tarefa na ferramenta eléctrica.



A bateria deve ser carregada antes de utilizá-la pela primeira vez.

Inserir a bateria na máquina

Fig. F



Assegure-se que o exterior da bateria está limpo e seco antes de ligá-lo ao carregador ou máquina.

1. Insira a bateria (4) na base da máquina, como indicado na Fig. F.
2. Empurre a bateria ainda mais até encaixar no respectivo local.

Retirar a máquina da máquina

Fig. F

1. Prima o botão de desbloqueio da bateria (5).
2. Retire a bateria da máquina, como indicado na Fig. F.

Substituir a lâmina da serra

Fig. A, B



Quando montar a lâmina da serra, use luvas de protecção. Há o risco de ferimentos se tocar na lâmina da serra.



Utilize apenas lâminas da serra de acordo com os dados de características indicados nas instruções de funcionamento.

Dobre a protecção (12) para cima antes de substituir a lâmina da serra. Serre sempre com a protecção dobrada para baixo.

Montar a lâmina da serra

O suporte da lâmina não deve ter quaisquer resíduos de material (como, por exemplo, farpas de madeira ou metal).

1. Rode a alavanca de fixação (13) o máximo possível para a esquerda e segure-a nesta posição.
2. Insira a lâmina da serra no mandril (16). Verifique se a lâmina da serra está bem fixada e que os dentes estão a apontar para a direcção de corte.

3. Liberte a alavanca de fixação. Verifique se a parte de trás da lâmina da serra está posicionada no centro do rolo-guia (10). Deve utilizar a lâmina da serra do material correspondente. A máquina inclui uma lâmina de serra grossa para madeira e uma lâmina de serra fina para metal e plástico.

Retirar a lâmina da serra

1. Rode a alavanca de fixação (13) o máximo possível para a esquerda e segure-a nesta posição.
2. Retire a lâmina da serra do mandril (16).
3. Liberte a alavanca de fixação.

Fixação da guia paralela

Fig. C

1. Desaperte os parafusos (14).
2. Monte a guia paralela (19) na placa de base (9).
3. Regule a largura de corte pretendida com a régua na guia paralela (19) e a marca de corte na placa de base (9). A marca de corte (21) indica a posição da lâmina da serra.
4. Aperte os parafusos (14).

4. FUNCIONAMENTO

Ligar/desligar a máquina

Fig. A

O interruptor para ligar/desligar (2) é utilizado para activar a máquina e regular a velocidade.

- Para ligar a máquina, mantenha o botão de desbloqueio (1) premido e, em seguida, prima o botão para ligar/desligar (2).
- Quanto mais pressionar o interruptor para ligar/desligar (2), maior é a velocidade da lâmina. As velocidades necessárias dependem do material e podem ser determinadas por testes práticos.
- Para parar a máquina, liberte o interruptor de ligar/desligar (2).

Regular o ângulo do bisel

Fig. A, D

1. Desaperte os parafusos (18) com a chave hexagonal (15).
2. Regule a placa de base (9) para a posição pretendida (0° a 45°). O ângulo de serragem (bisel) pode ser verificado na régua (7).

3. Aperte os parafusos hexagonais (18) com a chave hexagonal (15). É possível armazenar a chave hexagonal na máquina, como indicado na Fig. A.

Regular a acção pendular

Fig. A

O interruptor de acção pendular (6) é utilizado para regular a maneira como os dentes da lâmina da serra fixam o material. O interruptor de acção pendular pode ser regulado para 4 posições:

- 0 - Sem acção pendular
- 1 - Acção pendular ligeira
- 2 - Acção pendular média
- 3 - Acção pendular elevada

A acção pendular necessária pode ser determinada através de um ensaio, mas é necessário respeitar as seguintes instruções:

- Material macio (madeira, plásticos, etc.): regule o pêndulo para o nível II ou III. Para um corte com a serra mais fino e preciso, utilize o nível de pêndulo 0 ou I.
- Para material fino, utilize o nível de pêndulo 0.
- Material duro (madeira, aço, etc.): regule o pêndulo para o nível 0.
- Curvas: regula o pêndulo para o nível 0.

Extracção de poeiras

Fig. E

- Insira o adaptador de extracção de poeiras (8) na ligação para extracção de poeiras (22).
- Ligue a mangueira de um aspirador ao adaptador de extracção de poeiras (8).

Corte longitudinal

Fig. G

O corte longitudinal só pode ser utilizado em materiais macios, como madeira, betão arejado, placas de gesso, etc. No entanto, isto requer alguma prática e é possível apenas com lâmina de serra curtas.

1. Coloque a serra sobre a peça de trabalho e ligue-a.
2. Verifique se a extremidade inferior da plataforma fica assente na superfície da peça de trabalho, como indicado na Fig. G.
3. Serre lentamente a serra na lâmina em ângulo, movendo a serra para uma posição vertical e continue a serrar ao longo da linha de corte.

4. Desligue a serra e levante a peça de trabalho quando a tarefa estiver concluída.

Utilização adequada

- Fixe a peça de trabalho. Utilize um dispositivo de fixação para peças de trabalho pequenas.
- Faça uma linha para definir a direcção de orientação da lâmina da serra.
- Segure a máquina com firmeza pela pega.
- Regule a velocidade de serragem.
- Regule o ângulo de esquadria.
- Ligue a máquina.
- Aguarde até a máquina atingir a velocidade máxima.
- Coloque a sapata da serra na peça de trabalho.
- Mova a máquina lentamente ao longo da linha desenhada previamente, premindo a sapata da serra com firmeza contra a peça de trabalho.
- Não aplique demasiada pressão na máquina. Deixe a máquina fazer o trabalho.
- Desligue a máquina e aguarde até esta parar por completo antes de colocar a máquina no chão.

5. MANUTENÇÃO



Antes de efectuar a limpeza e a manutenção, desligue sempre a máquina e retire a bateria da máquina.

Limpe a carcaça da máquina com regularidade com um pano macio, de preferência após cada utilização. Certifique-se de que as aberturas de ventilação não têm pó ou sujidade. Retire a sujidade muito persistente com um pano macio humedecido com água de sabão. Não utilize solventes, como gasolina, álcool, amoníaco, etc. Este tipo de produtos químicos danificam os componentes sintéticos.

AMBIENTE



Os equipamentos eléctricos ou electrónicos defeituosos e/ou eliminados devem ser recolhidos em locais de reciclagem adequados.

Apenas para os países da CE

Não elimine as ferramentas eléctricas em conjunto com os resíduos domésticos. De acordo com a directiva europeia 2012/19/CE sobre resíduos de equipamentos eléctricos e electrónicos e a respectiva implementação na legislação nacional, as ferramentas eléctricas que já não sejam utilizadas devem ser recolhidas em separado e eliminadas de maneira ecológica.

GARANTIA

Os produtos da FERM são desenvolvidos de acordo com os padrões de qualidade mais elevados e não apresentam quaisquer defeitos em termos de materiais e mão-de-obra em relação ao período estipulado por lei, cujo início é a partir da data de compra original. Se o produto apresentar qualquer falha durante este período devido a qualquer defeito no material e/ou de mão-de-obra, contacte o fornecedor da FERM directamente.

As seguintes circunstâncias estão excluídas desta garantia:

- Se forem efectuadas ou tentadas quaisquer reparações e/ou alterações na máquina por centros de assistência não autorizados.
- Desgaste normal.
- Se a ferramenta foi utilizada de maneira abusiva, indevida ou a manutenção foi efectuada de maneira incorrecta.
- Se forem utilizadas peças sobresselentes não originais

Isto constitui a única garantia feita pela empresa, de maneira expressa ou implícita. Não existem quaisquer outras garantias expressas ou implícitas que se prolonguem, incluindo as garantias implícitas de comercialização e adequação para fins específicos. A FERM não será, em nenhuma circunstância, responsável por danos incidentais ou indirectos. Os fornecedores devem estar limitados a reparar ou substituir as unidades ou peças que não estejam em conformidade.

O equipamento e o manual do utilizador estão sujeitos a alterações sem aviso prévio. As especificações podem ser alteradas sem aviso prévio.

UBODNA PILA JSM1039

Zahvaljujemo na kupnji ovog Ferm proizvoda. Njime ste si osigurali izvrstan proizvod koji vam pruža jedan od europskih vodećih dobavljača. Svi proizvodi koje Vam je isporučio Ferm proizvedeni su prema najvišim izvedbenim i sigurnosnim standardima. Kao dio naše filozofije također pružamo izvrsnu podršku klijentima, koji podržava naše opsežno jamstvo. Nadamo se da ćete uživati u korištenju ovog proizvoda još mnogo godina.

1. SIGURNOSNE UPUTE



Pročitajte priložena sigurnosna upozorenja, dodatna sigurnosna upozorenja i upute. Nepoštivanje

sigurnosnih upozorenja i uputa mogu uzrokovati strujni udar, požar i / ili ozbiljne ozljede. **Sačuvajte sigurnosna upozorenja i upute za buduću uporabu.**

Sljedeći simboli se koriste u korisničkom priručniku ili na proizvodu:



Pročitajte upute za uporabu.



Označava opasnost od tjelesne ozljede, gubitka života ili oštećenja alata u slučaju nepridržavanja uputa iz ovog priručnika.



Opasnost od električnog udara.



Varijabilna elektronička brzina.



Nosite zaštitne naočale.
Nosite zaštitu za sluh.



Nosite masku protiv prašine.



Nemojte odlagati proizvod u neprikladnim spremnicima.



Proizvod je u skladu s važećim sigurnosnim standardima u europskim direktivama.

OPĆA SIGURNOSNA UPOZORENJA ZA ELEKTRIČNE ALATE



UPOZORENJE!

Pročitajte sva sigurnosna upozorenja i upute. Nepoštivanje upozorenja i uputa

može rezultirati strujnim udarom, požarom i/ili ozbiljnim ozljedama.

Upozorenja i upute čuvajte za buduće potrebe.

Izraz "električni alat" u upozorenjima odnosi se na vaš električni alat napajan iz gradske mreže (sa žicom) ili električni alat napajan baterijom (bez žice).

1) Sigurnost radnog prostora

- Radni prostor održavajte čistim i dobro osvijetljenim.** Zakršeni ili mračni prostori prizivaju nezgode.
- Električne alate nemojte upotrebljavati u eksplozivnom okruženju, primjerice u prisutnosti zapaljivih tekućina, plinova ili prašine.** Električni aparati stvaraju iskre koje mogu zapaliti prašinu ili isparavanja.
- Djecu i druge osobe držite podalje tijekom upotrebe električnih alata.** Zbog odvratanja pozornosti mogli biste izgubiti nadzor nad uređajem.

2) Zaštita od električne struje

- Utikači električnih alata moraju odgovarati utičnicama.** Nikad ni na koji način ne prepravljajte utikač. Prilikom upotrebe električnih alata s uzemljenjem ne koristite prilagodne utikače. Neizmijenjeni utikači i odgovarajuće utičnice smanjit će rizik od električnog udara.
- Izbjegavajte fizički dodir s uzemljenim površinama poput cijevi, radijatora, metalnih okvira i hladnjaka.** Postoji povećani rizik od električnog udara ako je vaše tijelo uzemljeno.
- Električne alate ne izlažite kiši ni vlazi.** Prodiranje vode u električni alat povećat će rizik od električnog udara.
- Kabel ne upotrebljavajte za nepredviđene namjene.** Kabel nikad ne upotrebljavajte za nošenje, povlačenje ili odvajanje utikača električnog alata iz električne utičnice. Kabel držite podalje od izvora topline, ulja i oštih ili pokretnih dijelova. Oštećeni ili zapleteni kabel povećat će rizik od električnog udara.

- e) **Prilikom rada s električnim alatom na otvorenom prostoru upotrijebite produžni kabel koji je za to predviđen.** *Upotreba produžnog kabela koji je pogodan za upotrebu na otvorenom smanjuje rizik od strujnog udara.*
- f) **Ako nije moguće izbjeći upotrebu električnog alata u vlažnim uvjetima, upotrijebite napajanje s diferencijalnom sklopkom za zaštitu od neispravnosti uzemljenja (RCD).** *Upotreba RCD sklopke smanjuje rizik od električnog udara.*
- 3) Osobna sigurnost**
- a) **Budite na oprezu, pazite što radite i primjenjujte zdravorazumski pristup prilikom rada s električnim alatom. Ne koristite električni alat ako ste umorni ili pod utjecajem droga, alkohola ili lijekova.** *Trenutak nepažnje tijekom rada s električnim alatom može dovesti do ozbiljnih ozljeda.*
- b) **Koristite opremu za osobnu zaštitnu. Uvijek koristite zaštitu za oči.** *Upotreba zaštitne opreme poput maske protiv prašine, sigurnosnih cipela protiv klizanja, čvrste kape ili zaštite sluha u odgovarajućim uvjetima smanjit će rizik od osobnih ozljeda.*
- c) **Spriječite nepredviđena uključivanja. Prije priključivanja u električnu mrežu ili umetanja akumulatorske baterije, kao i prije uzimanja ili nošenja alata, provjerite je li prekidač u isključenom položaju.** *Nošenje električnog alata pri čemu je prst na prekidaču ili priključivanje električnog alata kojemu je prekidač uključen priziva nezgode.*
- d) **Prije nego uključite električni alat, uklonite s njega sve ključeve za prilagođavanje i sl.** *Ostavljanje ključa na rotirajućem dijelu električnog alata može dovesti do ozljede.*
- e) **Nemojte predaleko posezati. Stalno održavajte ravnotežu i stojte čvrsto na nogama.** *To omogućuje bolju kontrolu električnog alata u neočekivanim situacijama.*
- f) **Pravilno se obucite. Ne nosite široku odjeću ili nakit. Kosu, odjeću i rukavice uvijek držite podalje od pokretnih dijelova.** *Pokretni dijelovi mogu zahvatiti labavo obučenu odjeću, nakit ili dugu kosu.*
- g) **Ako upotrebljavate uređaje za usisavanje i prikupljanje prašine, osigurajte njihovo pravilno povezivanje i upotrebu.** *Upotreba uređaja za prikupljanje prašine može smanjiti opasnosti vezane uz prašinu.*
- h) **Ne dopustite da zbog samopouzdanja stečenog učestalom upotrebom alata zanemarite sigurnosna pravila.** *Nepažljivo postupanje može uzrokovati ozbiljne ozljede za djelić sekunde.*
- 4) Upotreba i čuvanje električnih alata**
- a) **Električni alat nemojte forsirati. Koristite ispravan električni alat za vašu primjenu.** *Prikladan električni alat bolje će i sigurnije obaviti posao brzinom za koju je predviđen.*
- b) **Ne upotrebljavajte električni alat ako se prekidač ne može prebaciti u isključeni ili uključeni položaj.** *Svaki električni alat kojim se ne može upravljati pomoću prekidača predstavlja opasnost i potrebno ga je popraviti.*
- c) **Prije prilagođavanja, zamjene nastavaka ili pohrane električnog alata isključite utikač iz utičnice ili odvojite akumulatorsku bateriju.** *Te sigurnosne preventivne mjere smanjuju rizik od nehoćičnog pokretanja električnog alata.*
- d) **Električne alate koji se ne upotrebljavaju pohranite izvan dohvata djece i ne dopustite osobama koje nisu upoznate s alatom ili ovim uputama da rade s njim.** *Električni alati opasni su u rukama neobučениh korisnika.*
- e) **Električne alate potrebno je održavati. Provjerite ima li kakvih otklona ili savinuća pokretnih dijelova, pucanja dijelova ili kakvih drugih stanja koja mogu utjecati na rad električnog alata.** *Ako je alat oštećen, popravite ga prije upotrebe. Velik broj nezgoda prouzrokovan je loše održanim električnim alatima.*
- f) **Rezne dijelove alata održavajte oštrima i čistima.** *Pravilno održavanje radnih alata s oštrim rubovima smanjuje vjerojatnost njegovog povijanja i lakše je za kontroliranje.*
- g) **Električni alat, pribor, nastavke itd. upotrebljavajte u skladu s ovim uputama te uzimajući u obzir radne uvjete i posao koji je potrebno obaviti.** *Upotreba električnih alata za poslove za koje nije namijenjen može dovesti do opasnih situacija.*
- h) **Ručke i rukohvate održavajte suhima, čistima te bez ulja i masti.** *Klizave ručke i rukohvati ne omogućuju sigurnu upotrebu i upravljanje alatom u neočekivanim okolnostima.*

- 5) **Upotreba i čuvanje baterije**
- Punite samo punjačem koji je preporučio proizvođač.** *Punjač koji je prikladan za jednu vrstu baterije može uzrokovati požar ako se upotrebljava s drugom baterijom.*
 - Električne alate upotrebljavajte isključivo s preporučenim baterijskim ulošcima.** *Uporaba bilo koje druge baterije može predstavljati rizik od ozljede i požara.*
 - Kada baterija nije u uporabi, držite je podalje od drugih metalnih predmeta kao što su spajalice, novčići, ključevi, čavli, vijci ili drugi maleni metalni predmeti koji mogu dovesti do spajanja polova.** *Kratko spajanje polova baterije može uzrokovati opekline i požar.*
 - Ako se baterija nepravilno koristi, iz nje može iscuriti tekućina. Izbjegavajte kontakt. Ako slučajno dođe do kontakta, isperite vodom. Ako tekućina dođe u kontakt s očima, zatražite medicinsku pomoć.** *Tekućina koja iscuri iz baterije može uzrokovati iritacije ili opekline.*
 - Ako su baterija ili alat oštećeni ili modificirani, nemojte ih upotrebljavati.** *Oštećene ili modificirane baterije mogu biti nepredvidljive i uzrokovati požar, eksploziju i ozljede.*
 - Bateriju i alat nemojte izlagati vatri ni visokim temperaturama.** *Izlaganje vatri ili temperaturama višima od 130°C može uzrokovati eksploziju. NAPOMENA Temperatura "130°C" može se zamijeniti temperaturom "265°F".*
 - Slijedite sve upute za punjenje i nemojte puniti bateriju ili alat izvan temperaturnog raspona navedenog u uputama.** *Nepravilno punjenje ili punjenje pri temperaturama izvan navedenog raspona može uzrokovati oštećenje baterije i požar.*
- 6) **Servisiranje**
- Električne alate servisirajte kod kvalificiranog servisera i upotrebom identičnih zamjenskih dijelova.** *Na taj ćete način osigurati sigurnost pri održavanju alata.*
 - Nemojte servisirati oštećene baterije.** *Servis baterije smije obavljati samo proizvođač ili ovlašteni servis.*

SIGURNOSNA UPOZORENJA ZA UBOodne PILE

- **Škare za živicu držite samo za izolirane površine jer oštrica može doći u kontakt sa skrivenim električnim instalacijama ili vlastitim kabelom.** Ako oštrice dođu u kontakt sa žicama pod naponom, svi izloženi metalni dijelovi uređaja bit će također pod naponom i može doći do strujnog udara.
- **Držite šake podalje od područja piljenja.** **Nemojte gurati ruke ispod radnog materijala.** Kontakt s oštricom pile može uzrokovati ozljede.
- **Uređaj prinesite radnom materijalu tek nakon što ga uključite.** U suprotnom može doći do zaglavljivanja reznog alata u radnom materijalu i povratnog udara.
- **Bazna ploča mora biti čvrsto priljubljena uz materijal tijekom piljenja.** Zaglavljena oštrica pile može puknuti i uzrokovati strujni udar.
- **Po dovršetku rezanja isključite uređaj, pričekajte da se uređaj potpuno zaustavi i tek tada izvucite oštricu iz reza.** Tako ćete izbjeći povratni udar i moći ćete odložiti uređaj na siguran način.
- **Upotrebljavajte samo neoštećene oštrice pile koje su u savršenom stanju.** Savijene ili tupe oštrice mogu puknuti, negativno utjecati na rez ili uzrokovati povratni udar.
- **Nakon što isključite uređaj, nemojte zaustavljati oštricu bočnim pritiskanjem.** Oštrica pile može se oštetiti, puknuti ili uzrokovati povratni udar.
- **Upotrijebite odgovarajuće detektore kako biste odredili ima li skrivenih instalacija na području rada ili se obratite komunalnom poduzeću.** Kontakt s električnim vodovima može uzrokovati požar i strujni udar. Oštećenje plinskih instalacija može uzrokovati eksploziju. Oštećenje vodovodnih instalacija uzrokuje materijalnu štetu.
- **Upotrijebite stezaljke ili na drugi praktičan način učvrstite radni materijal za stabilnu podlogu.** Radni materijal nije stabilan ako ga rukom držite u tijelo i može doći do gubitka nadzora.
- **Uvijek pričekajte da se alat potpuno zaustavi prije nego što ga odložite.** Alat se može zaglaviti u radnom materijalu i mogli biste izgubiti nadzor nad alatom.

2. PODACI O UREĐAJU

Predviđena upotreba

Uređaj je predviđen za piljenje drva, metala, plastike, keramike, gume itd. na bilo koju veličinu i u bilo kojem obliku, dok je bazna ploča čvrsto priljubljena uz radni materijal. Uvijek upotrijebite odgovarajuću oštricu pile.

TEHNIČKE SPECIFIKACIJE

Model	JSM1039
Napon	20 V DC
Brzina bez opterećenja	0-2300/min
Potez pile	18 mm
Maks. mogućnost piljenja drva 0°	80 mm
Maks. mogućnost piljenja čelika 0°	6 mm
Masa	1,85 kg

Koristite samo sljedeće baterije platforme FX-POWER 20 V. Upotreba bilo kojih drugih baterija može uzrokovati ozbiljne ozljede ili oštećenje alata.

CDA1167 20V, 2 Ah litij-ionska

CDA1168 20V, 4 Ah litij-ionska

Sljedeći punjač može se upotrijebiti za punjenje ovih baterija.

CDA1169 prilagodnik za punjenje

CDA1170 brzi punjač

CDA1172 brzi punjač

Baterije platforme FX-POWER 20 V mogu se upotrijebiti uz sve alate baterijske platforme FERM FX-POWER.

Razina vibracija

Razina emisije vibracija, naznačen na poledini ove upute za uporabu, izmjerena je sukladno standardiziranim testom danom u EN62841; može se koristiti za usporedbu jednog alata s drugim, kao i za preliminarnu procjenu izloženosti vibracijama, kada se ovaj alat koristi za navedene svrhe.

- Korištenje alata u drugačije svrhe ili s drugim ili slabo održavanim nastavcima može značajno povećati razinu izloženosti.
- Vrijeme kada je alat isključen ili je uključen, ali se njime ne radi, može značajno smanjiti razinu izloženosti.

Zaštitite se od djelovanja vibracija održavanjem alata i njegovih nastavaka, održavajući vaše ruke toplim i organiziranjem vaših uzoraka rada.

Opis

Brojevi u tekstu odnose se na dijagramove na stranicama 2 - 3.

1. Tipka za (de)blokiranje
2. Prekidač za uključivanje/isključivanje
3. Rukohvat
4. Baterija (nije isporučena)
5. Tipka za oslobađanje baterije
6. Prekidač njihala
7. Skala za kut nagiba
8. Prilagodnik usisavača
9. Bazna ploča
10. Valjak vodilice
12. Štitnik
13. Stezna ručica
14. Vijci za paralelnu vodilicu
15. Imbus ključ
16. Zatezna glava
17. Oštrica pile
18. Vijak za baznu ploču
19. Paralelna vodilica
21. Rezna oznaka
22. Priključak za odvođenje prašine

3. SASTAVLJANJE



Prije bilo kakvih radova na električnom alatu uklonite bateriju.



Akumulator se mora puniti prije prve uporabe.

Umetanje akumulatora u stroj (sl. F)



Osigurajte da je vanjska strana akumulatora čista i suha prije spajanja na punjač ili stroj.

1. Umetnite akumulator (4) u podnožje stroja, kao što je prikazano na sl. F.
2. Gurnite akumulator prema naprijed dok ne sjedne na svoje mjesto.

Uklanjanje akumulatora iz stroja (sl. F)

1. Gurnite gumbce za odbravljanje akumulatora (14).
2. Izvucite akumulator iz stroja, kao što je prikazano na sl. F.

Zamjena oštrice pile (sl. A, B)



Prilikom postavljanja oštrice pile nosite zaštitne rukavice. U kontaktu s oštricom pile može doći do ozljeda.



Koristite samo oštrice pile koje odgovaraju podacima navedenima u uputama za upotrebu.

Preklopite štitnik (12) prema gore prije zamjene oštrice pile. Uvijek pilite sa štitnikom preklopljenim prema dolje.

Postavljanje oštrice pile

Provjerite je li držač oštrice čist i bez naslaga materijala (kao što je drvena ili metalna piljevina).

1. Zakrenite steznu ručicu (13) do kraja ulijevo i zadržite je u tom položaju.
2. Umetnite oštricu pile u zateznu glavu (16).
Provjerite je li oštrica pile dobro pričvršćena i jesu li zupci okrenuti u smjeru rezanja.
3. Pustite steznu ručicu. Provjerite je li stražnji dio oštrice pile postavljen u središte valjka vodilice (10). Upotrijebite oštricu koja odgovara materijalu na kojem radite. Uz uređaj je isporučena gruba oštrica pile za drvo i fina oštrica pile za metal i plastiku.

Uklanjanje oštrice pile

1. Zakrenite steznu ručicu (13) do kraja ulijevo i zadržite je u tom položaju.
2. Izvadite oštricu pile iz zatezne glave (16).
3. Pustite steznu ručicu.

Pričvršćivanje paralelne vodilice (sl. C)

1. Otpustite vijke (14).
2. Postavite paralelnu vodilicu (19) na baznu ploču (9).
3. Podesite širinu rezanja pomoću skale na paralelnoj vodilici (19) i rezne oznake na baznoj ploči (9). Rezna oznaka (21) naznačuje položaj oštrice pile.
4. Pritegnite vijke (14).

4. UPOTREBA

Uključivanje/Isključivanje uređaja (sl. A)

Prekidač za uključivanje/isključivanje (2) služi za aktiviranje uređaja i podešavanje brzine.

- Da biste pokrenuli uređaj, držite pritisnut gumb za (de)blokiranje (1) i pritisnite prekidač za uključivanje/isključivanje (2).
- Što dalje pomaknete prekidač za uključivanje/isključivanje (2), oštrica se brže kreće. Potrebna brzina ovisi o materijalu i može se odrediti praktičnim testiranjem.
- Da biste zaustavili uređaj, pustite prekidač za uključivanje/isključivanje (2).

Podešavanje kuta nagiba (sl. A, D)

1. Otpustite vijke (18) pomoću imbus ključa (15).
2. Postavite baznu ploču (9) u odgovarajući položaj (0° - 45°). Kut piljenja (nagib) možete očitati na skali (7).
3. Pritegnite vijke (18) pomoću imbus ključa (15). Imbus ključ možete pohraniti na uređaju (sl. A).

Podešavanje njihala (sl. A)

Prekidač njihala (6) upotrebljava se za podešavanje načina na koji zupci pile zahvaćaju radni materijal. Prekidač njihala može se postaviti u 4 položaja:

- 0 - bez njihala
- 1 - malo njihanje
- 2 - srednje njihanje
- 3 - veliko njihanje

Potrebno njihanje može se odrediti praktičnim testiranjem, uz primjenu sljedećih smjernica:

- Meki materijal (drvo, plastika itd.): postavite njihalo na razinu II ili III. Za pravilniji i čišći rez upotrijebite razinu 0 ili I.
- Za tanki materijal upotrijebite razinu 0.
- Tvrdi materijal (tvrdo drvo, čelik itd.): postavite njihalo na razinu 0.
- Krivulje: postavite njihalo na razinu 0.

Odvođenje prašine (sl. E)

- Umetnite prilagodnik za odvođenje prašine (8) u priključak (22).
- Priključite crijevo usisavača na prilagodnik za odvođenje prašine (8).

Rezanje uranjanjem (sl. G)

Rezanje uranjanjem može se primjenjivati samo na mekim materijalima kao što je drvo, šupljikavi beton, gipsane ploče i sl. Međutim, za to je potrebna određena uvježbanost i moguće je samo s kratkim oštricama pile.

1. Postavite pilu na radni materijal i uključite je.
2. Provjerite je li donji rub papučice položen na površinu radnog materijala (sl. G).
3. Polako udite u radni materijal pod kutom, pomičući pilu u okomiti položaj i nastavite piliti uz reznu liniju.
4. Isključite pilu i podignite je s radnog materijala kad završite s poslom.

Savjeti za optimalnu upotrebu

- Pritegnite komad za piljenje. Za manje komade koristite stegu.
- Povucite liniju kako biste definirali smjer u kojem treba navoditi oštricu pile.
- Stroj čvrsto prihvatite za hvat.
- Odredite brzinu piljenja.
- Postavite nagib.
- Uključite stroj.
- Pričekajte dok stroj ne dosegne punu brzinu.
- Papučicu pile postavite na komad za piljenje.
- Polako pomaknite stroj uz unaprijed nacrtanu liniju, čvrsto pritišćući papučicu pile uz komad koji pilite.
- Nemojte koristiti prevelik pritisak na stroj. Dozvolite da stroj obavi svoj posao.
- Isključite stroj i pričekajte da se stroj u potpunosti zaustavi prije no što ćete ga položiti.

5. ODRŽAVANJE



Prije čišćenja i održavanja uvijek isključite stroj i odspojite akumulator iz stroja.

Redovito čistite kućište stroja mekom krpom, po mogućnosti nakon svake uporabe. Osigurajte se da otvori za ventilaciju ne sadrže prašinu i prljavštinu. Uklonite upornu prljavštinu mekom krpom, navlaženom sapunicom. Nemojte koristiti otapala poput benzina, alkohola, amonijaka itd. Takve kemikalije oštećuju sintetske komponente.

OKOLIŠ



Neispravan i/ili odbačen električni ili elektronički aparat potrebno je sakupljati na odgovarajućim mjestima za recikliranje.

Samo za zemlje Europske unije

Alate nemojte odlagati u kućanski otpad. Prema europskim smjernicama 2012/19/EU za otpadnu električnu i elektroničku opremu i njihovoj primjeni i državnom zakonodavstvu, radni alati koji se više ne koriste moraju se odvojeno sakupiti i odložiti na ekološki prihvatljiv način.

JAMSTVO

FERM proizvodi razvijeni su prema najvišim standardima te će zajamčeno biti bez kvarova u materijalima i izradi tijekom zakonski propisanog razdoblja od datuma kupnje. Ako se u tom razdoblju dogode bilo kakvi kvarovi proizvoda zbog pogrešaka u materijalu i/ili izradi, obratite se izravno svom FERM dobavljaču.

Sljedeće okolnosti isključene su iz ovog jamstva:

- neovlašteni servisi pokušali su izvoditi popravke ili izmjene na uređaju;
- uobičajeno habanje i trošenje;
- alat je bio zloupotrebļjavan ili nepravilno održavan;
- korišteni su neizvorni rezervni dijelovi.

Ovo predstavlja isključivo jamstvo koje pruža tvrtka, izričito ili implicirano. Ne pružaju se nikakva druga jamstva, izričita ili implicirana izvan ovdje navedenog obima, uključujući implicirana jamstva utrživosti ili prikladnosti za određene svrhe. FERM neće ni u kojem slučaju biti odgovoran ni za kakve slučajne ili posljedne štete. Pravni lijekovi dobavljača bit će ograničeni na popravak ili zamjenu neispravnih uređaja ili dijelova.

Proizvod i korisnični priručnik su podložni promjenama. Specifikacije se mogu promijeniti bez upozorenja.

ЭЛЕКТРИЧЕСКИЙ ЛОБЗИК JSM1039

Благодарим вас за приобретение данного изделия Ferm. Теперь есть великолепный инструмент от одного из ведущих европейских поставщиков. Все изделия, которые поставляет вам Ferm, изготовлены в соответствии с высочайшими стандартами в отношении производительности и безопасности. Кроме того, мы предлагаем превосходное обслуживание заказчиков, которое поддерживается нашей комплексной гарантией - это часть нашей философии. Мы надеемся, что вы будете получать удовольствие от работы с этим инструментом в течение многих лет.

1. ПРЕДУПРЕЖДЕНИЯ ПО БЕЗОПАСНОМУ ИСПОЛЬЗОВАНИЮ



Прочтите прилагаемые предупреждения по безопасному использованию, дополнительные предупреждения и инструкции.

Несоблюдение предупреждений по безопасному использованию и инструкций может привести к поражению электрическим током, возгоранию и/или серьезной травме.

Сохраните предупреждения по безопасному использованию и инструкции для обращения к ним в будущем.

В руководстве или на изделии присутствуют следующие значки:



Прочитайте руководство пользователя.



Указывает на риск повреждения инструмента, травм или смерти в случае несоблюдения инструкций, приведенных в данном руководстве пользователя.



Регулируемая скорость.



*Надевайте защитные очки.
Надевайте защитные наушники.*



Надевайте пылезащитную маску.



Выбрасывайте изделие только в предназначенные для этого контейнеры.



Данное изделие соответствует применимым стандартам безопасности европейских директив.

ОБЩИЕ УКАЗАНИЯ ПО ТЕХНИКЕ БЕЗОПАСНОСТИ



ВНИМАНИЕ!

Внимательно прочтите все руководства по технике безопасности и инструкции.

Несоблюдение указаний и инструкций по технике безопасности может стать причиной поражения электрическим током, пожара и/или тяжелых травм.

Сохраните эту инструкцию.

Термин «электроинструмент» во всех правилах, перечисленных ниже, относится к работающим от сети (со шнуром питания) электроинструментам или действующим от аккумулятора (без шнура питания) электроинструментам.

1) Рабочее место

- a) **Рабочее место должно быть чистым и хорошо освещённым.** Загромождённые и недостаточно освещённые рабочие места способствуют травматизму.
- b) **Не используйте электроинструменты во взрывоопасных условиях, например, вблизи легковоспламеняющихся жидкостей, газов или частиц.** Во время работы электроинструмента возникают искры, которые могут вызвать воспламенение взрывоопасных частиц.
- c) **Во время работы с электроинструментом дети и посторонние должны находиться на безопасном расстоянии.** Отвлекаясь, вы можете потерять контроль над управлением.

- 2) **Электротехническая безопасность**
- a) **Вилка электроинструмента должна точно соответствовать штепсельной розетке. Никогда не вносите изменения в конструкцию вилки. Не используйте переходные устройства для вилки, которые заземляют (замыкают на землю) электроинструменты.** *Не модифицированные вилки и точно соответствующие им штепсельные розетки уменьшают вероятность поражения электрическим током.*
- b) **Не допускайте контакта частей тела с заземлёнными или замкнутыми на землю поверхностями, например, с поверхностью труб, радиаторов, кухонных плит, холодильников.** *Существует повышенная опасность поражения электрическим током, если Ваше тело заземлено или замкнуто на землю.*
- c) **Не оставляйте электроинструменты под дождём или во влажных условиях.** *Вода, попавшая на электроинструмент, повышает вероятность поражения электрическим током.*
- d) **Не нарушайте режим эксплуатации сетевого шнура. Никогда не переносите электроинструмент, держа его за шнур, не дёргайте, и не тяните за шнур, чтобы отключить вилку от розетки. Защищайте шнур от источников тепла, масел, предметов с острыми краями или движущимися частями.** *Повреждённые или спутанные шнуры питания повышают вероятность поражения электрическим током.*
- e) **Если электроинструмент используется вне помещений, применяйте только предназначенные для наружных работ удлинители.** *Применение шнуров питания, предназначенных для наружных работ, уменьшает вероятность поражения электрическим током.*
- f) **Если использование электроинструмента в условиях влажной окружающей среды неизбежно, необходимо использовать источник тока, защищённый устройством защитного отключения (УЗО)** *Применение УЗО снижает риск поражения электрическим током.*
- 3) **Личная безопасность**
- a) **Будьте внимательны, контролируйте свои действия и руководствуйтесь здравым смыслом при работе с электроинструментом. Не работайте с электроинструментом, если вы устали или находитесь под влиянием наркотиков, алкоголя или медицинских препаратов.** *Потеря внимания при работе с электроинструментом может привести к тяжёлым телесным повреждениям.*
- b) **Используйте средства индивидуальной защиты. Всегда носите защитные очки.** *Использование средств индивидуальной защиты, таких как защитная маска, обувь на нескользящей подошве, защитный шлем или средство защиты органов слуха, - в зависимости от условий работы, снижает риск получения травм.*
- c) **Принимайте меры в целях избежания непреднамеренного запуска. Перед подключением электроинструмента к электропитанию и/или к аккумуляторной батарее, когда берете устройство или при его транспортировке убедитесь, что электроинструмент находится в выключенном состоянии.** *Ношение инструмента с пальцем на выключателе опасно, и может привести к несчастному случаю.*
- d) **Убирайте регулировочные инструменты и гаечные ключи перед включением электроинструмента.** *Гаечный ключ или регулировочный инструмент, оставленные в соединении с вращающимися деталями электроинструмента, могут привести к телесным повреждениям.*
- e) **Не наклоняйтесь чрезмерно. Работайте в безопасной позиции и всё время сохраняйте равновесие.** *Это обеспечит надлежащее управление электроинструментом при неожиданных ситуациях.*
- f) **Одевайтесь надлежащим образом. Не надевайте просторную одежду и ювелирные изделия. Сделайте так, чтобы ваши волосы, одежда и перчатки находились на достаточном расстоянии от движущихся частей.** *Просторная одежда, ювелирные изделия и длинные волосы могут быть захвачены движущимися частями.*

- g) В случае если предусмотрено подключение пылеулавливающего устройства убедитесь, что оно подсоединено и надёжно работает. *Использование такого рода устройств уменьшает вред от воздействия пыли.*
- h) **Всегда сохраняйте бдительность и соблюдайте правила техники безопасности при работе с электроинструментом.** *Момент невнимательности может привести к серьезным травмам.*
- 4) **Использование электроинструмента и уход за ним**
- a) **Не перегружайте электроинструмент.** *Используйте электроинструмент только по назначению. Применение электроинструмента по назначению делает работу более эффективной и безопасной.*
- b) **Не используйте электроинструмент, если переключатель не устанавливается в положение Вкл. и Выкл.** *Все электроинструменты с вышедшими из строя переключателями представляют потенциальную опасность и должны быть отремонтированы.*
- c) **Перед проведением любых работ по наладке, замене принадлежностей или перед уборкой электроинструментов на хранение следует отключать вилку от источника питания.** *Эти превентивные меры безопасности уменьшают риск непреднамеренного включения электроинструмента.*
- d) **Храните неиспользуемые электроинструменты в недоступном для детей месте, и не доверяйте использование электроинструмента лицам, которые не знакомы с данным электроинструментом и с инструкцией по его применению.** *В руках необученных лиц электроинструменты представляют опасность.*
- e) **Проводите обслуживание электроинструментов. Проверьте синхронность работы взаимодействующих деталей, наличие повреждённых деталей и прочие условия, которые могут повлиять на работу электроинструмента.**
- Отремонтируйте повреждённые электроинструменты перед использованием.** *Большое количество несчастных случаев вызвано плохим обслуживанием электроинструментов.*
- f) **Содержите режущий инструмент острым и чистым.** *Должным образом обслуживаемый режущий инструмент с острыми режущими частями в меньшей степени подвержен заклиниванию, им легче управлять.*
- g) **Используйте электроинструмент, принадлежности, вставные резцы и т.д., в соответствии с этой инструкцией и соответствующим образом для каждого вида электроинструментов, принимая во внимание условия работы и вид выполняемой работы.** *Использование электроинструмента не по назначению может привести к опасным ситуациям.*
- h) **Старайтесь, чтобы рукоятки и поверхности захватывания были чистыми, сухими и незагрязненными маслом или смазкой.** *Скользкие рукоятки и поверхности захватывания не позволяют обеспечить безопасность работы и управления инструментом в непредвиденных ситуациях.*
- 5) **Применение и уход за аккумуляторным инструментом**
- a) **Перезаряжайте только с помощью зарядного устройства, указанного изготовителем.** *Зарядное устройство, пригодное для одного типа аккумуляторных блоков, может быть пожароопасным при использовании с другим аккумуляторным блоком.*
- b) **Пользуйтесь механизированным инструментом только со специально указанными аккумуляторными блоками.** *Использование любых других аккумуляторных блоков может привести к травмам и пожару.*
- c) **Когда аккумуляторный блок не используется, держите его подальше от других металлических предметов, например канцелярских скрепок, монет, ключей, гвоздей, винтов и других маленьких металлических предметов,**

которые могут создать соединение между двумя клеммами. Короткое замыкание клемм аккумулятора может привести к ожогам или пожару.

- d) **В случае неправильного использования из аккумулятора может вылиться жидкость. Избегайте контакта с ней. Если контакт случайно произойдет, промойте это место водой. При попадании жидкости в глаза обратитесь за медицинской помощью. Жидкость, вылившаяся из аккумулятора, может вызвать раздражения и ожоги.**
- e) **Не используйте поврежденные или измененные аккумуляторные батареи или инструменты. Поврежденные или измененные аккумуляторные батареи могут работать непредсказуемо, что может привести к возгоранию, взрыву или риску получения травм.**
- f) **Не подвергайте аккумуляторные батареи или инструмент воздействию огня или повышенной температуры. Открытый огонь или воздействие высокой температуры выше 130 °C может привести к взрыву. ПРИМЕЧАНИЕ. Температура 130 °C может быть заменена на температуру 265 °F.**
- g) **Следуйте всем инструкциям по зарядке и не заряжайте аккумуляторную батарею или инструмент вне температурного диапазона, указанного в инструкции. Неправильная зарядка или зарядка вне указанного температурного диапазона может привести к повреждению аккумуляторной батареи и увеличить риск возгорания.**
- 6) **Обслуживание**
- a) **Обслуживание электроинструмента должно выполняться квалифицированным лицом с использованием только оригинальных запасных частей. Это обеспечит сохранение безопасного использования электроинструмента.**
- b) **Не выполняйте обслуживание поврежденных аккумуляторных батарей. Обслуживание аккумуляторных батарей должно выполняться только производителем или авторизованными поставщиками услуг.**

Правила техники безопасности для ножовочных пил

- Во время выполнения работ, удерживайте электроинструмент только за изолированные поверхности в тех случаях, когда режущая принадлежность может задеть скрытую электропроводку или собственный шнур питания. Если держаться за металлические детали инструмента, то, в случае перерезания находящегося под напряжением провода, возможно поражение оператора электрическим током.
- Держите руки подальше от области распила. Не держите руки под заготовкой. Касание пыльного полотна может привести к травмам.
- Инструмент должен быть включен до контакта с заготовкой. В противном случае создается опасность отдачи при заклинивании режущего инструмента в заготовке.
- Следите за тем, чтобы опорная плита надежно располагалась на материале во время распиловки. Заклинившее пыльное полотно может сломаться или вызвать отдачу.
- По завершении распила, выключите инструмент и затем извлеките пыльное полотно из распила только после его полной остановки. Это позволяет избежать отдачи и безопасно отставить инструмент.
- Используйте только неповрежденные пыльные полотна в идеальном состоянии. Погнутые или затупившиеся пыльные полотна могут сломаться, ухудшить качество распила или вызвать отдачу.
- Не пытайтесь остановить пыльное полотно, прилагая к нему боковое усилие после выключения. Это может сломать или повредить пыльное полотно или привести к отдаче.
- Используйте соответствующие детекторы для поиска спрятанных коммуникаций в месте выполнения работ или обратитесь за помощью в местное коммунальное предприятие. Контакт с линией электроснабжения может привести к пожару или поражению электрическим током. Повреждение линии газоснабжения может привести к взрыву. Прорыв водопроводной трубы может привести к материальному ущербу.

- Используйте зажимы или другие уместные средства фиксации заготовки на стабильной опоре. Если держать заготовку руками или с упором в собственное тело, то можно потерять контроль над инструментом или заготовкой.
- Прежде чем положить инструмент, дождитесь его полной остановки. Контакт пильного диска с поверхностью может привести к заклиниванию и потере контроля над инструментом.

2. СВЕДЕНИЯ ОБ ЭЛЕКТРОИНСТРУМЕНТЕ

Предполагаемое использование

Инструмент предназначен для распиловки дерева, металла, пластмасс, керамики, резины и т. п. любых размеров и форм при условии, что опорная плита надежно стоит на заготовке. Необходимо всегда использовать подходящее пильное полотно.

ТЕХНИЧЕСКИЕ СПЕЦИФИКАЦИИ

№ модели	JSM1039
Напряжение	20 В пост. тока
Скорость без нагрузки	0-2300/мин
Ход пилы	18 мм
Макс. рез по дереву при 0°	80 мм
Макс. рез по стали при 0°	6 мм
Вес	1,85 кг

Используйте только следующие батареи аккумуляторной платформы FX-POWER 20V. Использование любых других батарей может привести к серьезным травмам или повреждению инструмента.

CDA1167 20В, 2 Ач литий-ионный
CDA1168 20В, 4 Ач литий-ионный

Для зарядки этих аккумуляторов можно использовать следующее зарядное устройство.

CDA1169 Адаптер зарядного устройства
CDA1170 Быстрое зарядное устройство
CDA1172 Быстрое зарядное устройство

Батареи аккумуляторной платформы FX-POWER 20V взаимозаменяемы и подходят для всех инструментов аккумуляторной платформы FERM FX-POWER.

Уровень вибрации

Уровень вибрации, указанный в данном руководстве, был измерен в соответствии со стандартизированным испытанием, приведенным в EN62841; он может быть использован для сравнения одного инструмента с другим, а также для предварительной оценки воздействия вибрации при использовании данного инструмента для указанных целей.

- Применение инструмента для других целей, а также использование принадлежностей в плохом состоянии может значительно увеличить уровень вибрации.
- При выключении устройства, а также работе в холостом режиме уровень вибрации значительно уменьшается.

Для защиты от вибрации поддерживайте инструмент и принадлежности в хорошем состоянии, не давайте рукам мерзнуть и организуйте режим работы.

Описание

Цифры в тексте относятся к схемам на страницах 2 - 3.

1. Кнопка блокировки
2. Выключатель
3. Рукоятка
4. Батарея (не входит в комплект)
5. Кнопка разблокировки батареи
6. Маятниковый переключатель
7. Шкала угла наклона
8. Переходник для пылесоса
9. Опорная плита
10. Направляющий ролик
12. Защитный кожух
13. Рычаг зажима
14. Болты параллельной направляющей
15. Шестигранный ключ
16. Патрон
17. Пильное полотно
18. Болт опорной плиты
19. Параллельная направляющая
21. Отметка разреза
22. Соединение для удаления пыли

3. СБОРКА



Перед любыми работами с электроинструментом извлеките аккумулятор.



Перед использованием электроинструмента аккумуляторную батарею необходимо зарядить.

Установка аккумуляторной батареи на инструмент (рис. F)



Перед тем как установить аккумуляторную батарею на инструмент убедитесь в том, что она чистая и сухая.

1. Вставьте аккумулятор (4) в основание инструмента, как показано на изображении F.
2. Сдвиньте аккумулятор вперед до щелчка.

Снятие аккумуляторной батареи с инструмента (рис. F)

1. Нажмите кнопку фиксации аккумулятора (5).
2. Вытащите аккумулятор из электроинструмента, как показано на изображении F.

Замена пильного полотна (рис. A, B)



Надевайте защитные перчатки во время установки пильного диска. Опасность получения травм при прикосновении к пильному диску.



Используйте только пильные диски, соответствующие приведенным в данном руководстве техническим данным.

Складывайте ограждение (12) вверх перед заменой пильного полотна. При распиловке ограждение всегда должно быть сложено по направлению вниз.

Установка пильного полотна

Убедитесь, что в держателе полотна нет мусора (например, деревянных щепок или металлических осколков).

1. Поверните рычаг зажима (13) влево до упора и удерживайте его в этом положении.
2. Вставьте пильное полотно в патрон (16).

Убедитесь, что пильное полотно надежно закреплено и что его зубцы направлены в сторону распила.

3. Отпустите рычаг зажима. Убедитесь, что задняя часть пильного полотна находится в центре направляющего ролика (10). Убедитесь, что выбрали полотно, подходящее материалу. В комплекте с машиной поставляется полотно с крупными зубцами для распиловки дерева и полотно с мелкими зубцами для распиловки металла и пластмасс.

Снятие пильного полотна

1. Поверните рычаг зажима (13) влево до упора и удерживайте его в этом положении.
2. Извлеките пильное полотно из патрона (16).
3. Отпустите рычаг зажима.

Установка параллельной направляющей (рис. C)

1. Ослабьте болты (14).
2. Установите параллельную направляющую (19) на опорную плиту (9).
3. Установите нужную ширину реза с помощью шкалы на параллельной направляющей (19) и отметки разреза на опорной плите (9). Отметка разреза (21) обозначает положение пильного полотна.
4. Затяните болты (14).

4. ЭКСПЛУАТАЦИЯ

Включение и выключение инструмента (рис. A)

Выключатель (2) используется для включения инструмента, а также для выбора вращения.

- Чтобы включить инструмент, нажмите и удерживайте кнопку блокировки (1) и нажмите на выключатель (2).
- Чем дальше нажат выключатель (2), тем быстрее будет двигаться полотно. Требуемая скорость зависит от материала и может быть определена с помощью практического испытания.
- Чтобы выключить инструмент, отпустите выключатель (2).

Регулировка угла наклона (рис. А, D)

1. Ослабьте болты (18) с помощью шестигранного ключа (15).
2. Подвиньте опорную плиту (9) в нужное положение (0-45°). Угол распила (наклон) отображен на шкале (7).
3. Затяните болты (18) с помощью шестигранного ключа (15). Шестигранный ключ можно хранить на инструменте, как видно из рис. А.

Регулировка маятника (рис. А)

Маятниковый переключатель (6) используется для регулировки способа входа зубцов пильного полотна в материал. Маятниковый переключатель устанавливается в одно из 4 положений:

- 0 — маятник не действует
- 1 — легкое маятниковое движение
- 2 — среднее маятниковое движение
- 3 — сильное маятниковое движение

Требуемое маятниковое движение можно определить путем практических испытаний, хотя при этом рекомендуется соблюдать следующие инструкции:

- Мягкие материалы (дерево, пластмасса и т. п.): устанавливайте маятник на уровень II или III. Используйте уровень маятника I или 0 для более тонкой и аккуратной распиловки.
- Используйте уровень маятника 0 для тонких материалов.
- Жесткие материалы (твердое дерево, сталь и т. п.): устанавливайте маятник на уровень 0.
- Кривые: устанавливайте маятник на уровень 0.

Удаление пыли (рис. Е)

- Вставьте переходник для удаления пыли (8) в соединение для удаления пыли (22).
- Подсоедините шланг пылесоса к переходнику для удаления пыли (8).

Врезное пиление (рис. G)

Врезное пиление можно использовать только в мягких материалах наподобие дерева, пенобетона, гипсолитовых плит и т. п. Тем не менее, это требует наличия определенной сноровки и возможно только при использовании коротких пильных полотен.

1. Установите пилу на заготовку и включите ее.

2. Убедитесь, что нижний край опорной плиты располагается на поверхности заготовки, как показано на рис. G.
3. Медленно вводите пилу в заготовку под углом, после чего переведите пилу в вертикальное положения и продолжайте распиловку по линии реза.
4. Когда работа будет выполнена, выключите пилу и поднимите ее с заготовки.

Подсказки по оптимальному использованию

- Зажмите заготовку. Для небольших заготовок используйте зажимное приспособление.
- Проведите линию, чтобы определить направление перемещения полотна.
- Крепко держите машину за ручку.
- Установите скорость пиления.
- Установите угол скоса.
- Включите инструмент.
- Дождитесь пока инструмент достигнет полной скорости.
- Установите башмак на заготовку.
- Медленно перемещайте машину вдоль заранее проведенной линии, крепко прижимая башмак к заготовке.
- Не нажимайте на машину слишком сильно. Пусть машина работает сама.
- Выключите машину и перед тем, как опустить дождитесь ее полной остановки.

5. ОБСЛУЖИВАНИЕ



Перед очисткой и обслуживанием всегда отключайте электроинструмент и извлекайте аккумуляторную батарею.

Регулярно очищайте корпус

электроинструмента мягкой тряпкой, желательно, после каждого использования. Убедитесь, что вентиляционные отверстия чисты от пыли и грязи. Для удаления особо сильных загрязнений используйте мягкую тряпку с мыльной пеной. Не используйте растворители, такие как бензин, спирт, аммиак и т. д. Химические вещества повредят синтетические компоненты.

ОКРУЖАЮЩАЯ СРЕДА



Неисправные электрические и электронные изделия необходимо сдавать в соответствующие пункты утилизации.

Только для стран ЕС

Не выбрасывайте электроинструменты в обычные мусорные корзины. В соответствии с Европейской директивой 2012/19/ЕС об утилизации отработанного электрического и электронного оборудования и ее реализации в государственном законодательстве электроинструменты, которые больше не могут использоваться по назначению необходимо подвергать утилизации дружественным по отношению к окружающей среде способом.

ГАРАНТИЯ

Продукция FERM разработана в соответствии с высочайшими стандартами качества и гарантирует отсутствие дефектов как в материалах, так и в производстве на период, зафиксированный законом с даты первоначальной покупки. Если в рамках данного периода времени обнаружится неисправность, связанная с дефектным материалом и/или дефектом сборки, незамедлительно свяжитесь с дилером компании FERM.

Гарантийные обязательства аннулируются в следующих случаях:

- Были выполнены или были предприняты попытки ремонтных работ или модификаций несанкционированными сервисными центрами.
- Стандартный износ.
- С инструментом небрежно обращались, использовали не по назначению или не проводили корректное техобслуживание.
- Использовали неоригинальные запасные части.

Это единственная гарантия компании как в прямом, так и в косвенном выражении. Другие

гарантии отсутствуют как в прямом, так и в косвенном выражении за пределами лицевой стороны настоящего документа, в том числе косвенные гарантии коммерческой ценности и пригодности для определенной цели.

Компания FERM не несет ответственности за любые случайные или косвенные убытки. Действия дилера ограничены ремонтом или заменой несоответствующих единиц и частей.

В изделие и руководство пользователя могут быть внесены изменения. Спецификации могут быть изменены без предварительного оповещения.

منشأ المنحنيات JSM1039

شكراً لك على شراء منتج Ferm هذا، ويقام بعملية الشراء هذه، تمتلك الآن منتجاً ممتازاً مقدماً من إحدى شركات التوريد الرائدة في أوروبا. فقد تم تصنيع جميع المنتجات التي تقدمها إليك شركة Ferm، وفقاً لأعلى معايير الأداء والسلامة. وكجزء من فلسفتنا، نقدم أيضاً خدمة عملاء ممتازة مدعومة بضمان شامل. نأمل أن تستمتع باستخدام هذا المنتج لسنوات عديدة قادمة.

1. تعليمات السلامة

اقرأ تحذيرات السلامة المرفقة، وتحذيرات السلامة

الإضافية، والتعليمات. فإن التصغير في اتباع تحذيرات السلامة والتعليمات قد يؤدي إلى حدوث صدمة كهربائية و/أو نشوب حريق و/أو وقوع إصابة خطيرة. احتفظ بتحذيرات السلامة والتعليمات من أجل الرجوع إليها في المستقبل.

يتم استخدام الرموز التالية في دليل المستخدم أو على المنتج:



اقرأ دليل المستخدم.



يشير إلى خطر الإصابة الشخصية أو فقدان الحياة أو تلف الأداة، في حالة عدم مراعاة التعليمات الواردة في هذا الدليل.



السرعة الإلكترونية المتغيرة.



ارتد نظارات السلامة.

ارتد واقي السمع.



ارتد قناع الغبار.



لا تتخلص من المنتجات في حاويات غير مناسبة.



يتوافق المنتج مع معايير السلامة المعمول بها والواردة في التوجيهات الأوروبية.



تحذيرات السلامة العامة للأداة الكهربائية

تحذير اقرأ جميع تحذيرات السلامة وجميع التعليمات. قد يؤدي التصغير في اتباع التحذيرات والتعليمات إلى حدوث صدمة كهربائية و/أو حريق و/أو إصابة شخصية.



احتفظ بجميع التحذيرات والتعليمات من أجل الرجوع إليها في المستقبل.

يشير مصطلح «الأداة الكهربائية» في التحذيرات إلى الأداة الكهربائية التي تعمل بالتيار الرئيسي (ساكنية) أو الأداة الكهربائية التي تعمل بالبطارية (لاسلكية).

1 سلامة منطقة العمل

- (a) حافظ على نظافة منطقة العمل وإضاءتها جيداً. فإن المناطق التي تعمها الفوضى أو المظلمة تساعد في وقوع الحوادث.
- (b) لا تقم بتشغيل الأدوات الكهربائية في الأجواء القابلة للانفجار، كما هو الحال في وجود السوائل أو الغازات أو الغبار القابل للاشتعال. فالأدوات الكهربائية تثنى شرراً قد يشعل الغبار أو الأبخرة.
- (c) ابعد الأطفال والواقفين بجوارك أثناء تشغيل الأداة الكهربائية. فحالات الارتباك قد تؤدي إلى فقدان السيطرة.

2 السلامة الكهربائية

- (a) يجب أن تتوافق قوايس الأدوات الكهربائية مع مأخذ التيار. لا تقم أبداً بتعديل القابس بأي طريقة. لا تستخدم قوايس أي مهابى مع الأدوات الكهربائية المورضة (المتصلة بالأرضية). فستعمل القوايس غير الممثلة ومأخذ التيار المتوافقة على الحد من خطر الصدمة الكهربائية.
- (b) تجنب تلامس الجسم مع الأسطح المورضة أو المتصلة بالأرضية، مثل الأنابيب والرادياتيرات والنطاقات والتلاجيات. فهناك خطر متزايد لحدوث صدمة كهربائية في حالة تأريض جسمك أو اتصاله بالأرضية.
- (c) لا تعرّض الأدوات الكهربائية للمطر أو الظروف الرطبة. فإن المياه التي تدخل الأداة الكهربائية ستؤدي إلى زيادة خطر حدوث الصدمة الكهربائية.
- (d) لا تسمي استخدام السلك. لا تستخدم أبداً السلك لحمل الأداة الكهربائية أو سحبها أو فصلها عن مصدر الطاقة. احتفظ بالسلك بعيداً عن الحرارة أو الزيت أو الحواف الحادة أو الأجزاء المتحركة. فتؤدي الأسلاك التالفة أو المتشابكة إلى زيادة خطر حدوث الصدمة الكهربائية.
- (e) عند تشغيل الأداة الكهربائية في الهواء الطلق، استخدم سلك إطالة مناسباً للاستخدام في الهواء الطلق. فإن استخدام سلك مناسب للاستخدام في الهواء الطلق يحد من خطر حدوث الصدمة الكهربائية.
- (f) في حالة عدم تجنب تشغيل أداة كهربائية في موقع رطب، فاستخدم مصدر إمداد محمي بجهاز قاطع الدورة (RCD). فإن استخدام جهاز قاطع الدورة يقلل من خطر الصدمة الكهربائية.

3 السلامة الشخصية

- (a) ابق متيقظاً وشاهد ما تقوم به واستعن بالحس السليم عند تشغيل الأداة الكهربائية. لا تستخدم الأداة الكهربائية عندما تكون متعباً أو تحت تأثير المخدرات أو الكحول أو الأدوية. فإن لحظة الغفلة أثناء تشغيل الأدوات الكهربائية قد تؤدي إلى إصابة شخصية بالغة.
- (b) استخدم معدات الوقاية الشخصية. ارتد واقي العينين دائماً. فإن المعدات الوقائية، مثل قناع الغبار أو أحذية السلامة غير الزلقة أو القبة الصلبة أو واقي السمع، التي يتم استخدامها في الظروف الملائمة ستقلل من حدوث الإصابات الشخصية.
- (c) امنع بدء التشغيل غير المقصود. تأكد من وجود المفتاح في وضع إيقاف التشغيل قبل التوصيل بمصدر الطاقة و/أو حزمة البطارية

- أو والتقاط الأداة أو حملها. فإن حمل الأدوات الكهربائية مع وضع إصبعك على المفتاح أو الأدوات الكهربائية المزودة بالبطاقة التي بها المفتاح في وضع التشغيل يؤدي إلى وقوع الحوادث.
- (d) قم بإزالة أي مفتاح ربط أو مفتاح ضبط قبل تشغيل الأداة الكهربائية. فإن مفتاح الربط أو المفتاح الذي يُترك متصلًا بجزء دوار من الأداة الكهربائية قد يؤدي إلى إصابة شخصية.
- (e) لا تتجاوز الحدود. حافظ على موطن القدم والتوازن الصحيحين في جميع الأوقات. فإن هذا يتيح إمكانية التحكم بشكل أفضل في الأداة الكهربائية في المواقف غير المتوقعة.
- (f) ارتد الملابس بطريقة صحيحة. لا ترتدي مجوهرات أو ملابس فضفاضة. حافظ على شعرك وملابسك وقفازاتك بعيدًا عن الأجزاء المتحركة. فإن الملابس الفضفاضة أو المجوهرات أو الشعر الطويل قد يعلق بالأجزاء المتحركة.
- (g) إذا تم توفير أجهزة لتوصيل أدوات استخراج الغبار وتجميعه، فتأكد من توصيلها واستخدامها بشكل صحيح. فإن استخدام تجميع الغبار قد يقلل من المخاطر المرتبطة بالغبار.
- (h) لا تدع التعود على الاستخدام المتكرر للأدوات يجعلك تتساهل بحيث تتجاهل مبادئ السلامة الخاصة بالأداة. فأي إجراء بدون مبالاة يمكن أن يسبب إصابة خطيرة خلال جزء من الثانية.

4 استخدام الأداة الكهربائية والعناية بها

- (a) لا تضغط على الأداة الكهربائية. استخدم الأداة الكهربائية المناسبة لتطبيقك. فإن الأداة الكهربائية المناسبة ستؤدي المهمة بشكل أفضل وأكثر أمانًا والمعدل الذي صممت له.
- (b) لا تستخدم الأداة الكهربائية في حالة عدم قيام المفتاح بتشغيلها أو إيقاف تشغيلها. فإن أي أداة كهربائية لا يمكن التحكم فيها باستخدام المفتاح تمثل خطورة ويجب إصلاحها.
- (c) أفضل القابس عن مصدر الطاقة و/أو حزمة البطارية عن الأداة الكهربائية قبل إجراء أي عمليات ضبط أو تغيير الملحقات أو تخزين الأدوات الكهربائية. فإن إجراءات السلامة الوقائية تحدد من خطر بدء تشغيل الأداة الكهربائية بشكل مفاجئ.
- (d) قم بتخزين الأدوات الكهربائية الخاملة بعيدًا عن متناول الأطفال، ولا تسمح لأي أشخاص ليسوا على دراية بالأداة الكهربائية أو هذه التعليمات بتشغيل هذه الأداة الكهربائية. فإن الأدوات الكهربائية تشكل خطرًا في أيدي المستخدمين غير المدربين.
- (e) قم بصيانة الأدوات الكهربائية. قم بالفحص بحثًا عن اختلال محاذة أو التصاق الأجزاء المتحركة، وانكسار الأجزاء، وأي حالة أخرى قد تؤثر في تشغيل الأداة الكهربائية. في حالة تلف الأداة الكهربائية، فقم بإصلاحها قبل الاستخدام. فإن العديد من الحوادث تنتسب عن الأدوات الكهربائية المصانة بشكل ضعيف.
- (f) حافظ على حدة أدوات القطع ونظافتها. فإن أدوات القطع المصانة بطريقة صحيحة وذات حواف القطع الحادة يقل احتمال التصاقها ويسهل التحكم فيها بشكل أكبر.
- (g) استخدم الأداة الكهربائية، والملحقات، ولقمت الأدوات وغيرها وفقًا لهذه التعليمات، مع مراعاة ظروف العمل والعمل المراد تنفيذه. فإن استخدام الأداة الكهربائية لعمليات غير تلك المخصصة لها قد يؤدي إلى موقف خطير.
- (h) حافظ على جفاف ونظافة المقابض وأسطح المسك من الزيوت والشحوم. لا تسمح المقابض وأسطح المسك الزلقة بالتعامل والسيطرة الآمنين على الأداة في المواقف غير المتوقعة.

5 استخدام أداة البطارية والعناية بها

- (a) لا تقم بالشحن إلا باستخدام الشاحن المحدد من قبل الشركة المصنعة. فقد يؤدي شحن مناسب لأحد أنواع حزمة البطارية إلى حدوث خطر الحريق عند استخدامه مع حزمة بطارية أخرى.
- (b) لا تستخدم الأدوات الكهربائية إلا مع حزم البطاريات المصممة خصيصًا لها. فقد يؤدي استخدام أي حزم بطاريات أخرى إلى حدوث خطر الإصابة والحريق.
- (c) في حالة عدم استخدام حزمة البطارية، فاحفظها بعيدًا عن الأشياء المعدنية الأخرى، مثل مشابك الورق أو العملات المعدنية أو المفاتيح أو الأظفار أو البراعي أو الأشياء المعدنية الصغيرة الأخرى التي يمكنها إجراء اتصال من طرف لآخر. فقد يؤدي تقصير طرفي البطارية معًا إلى حدوث حروق أو اندلاع حريق. في ظل ظروف إساءة الاستخدام، قد يتم إخراج السائل من البطارية، فتجنب ملامسته، وإذا حدثت الملامسة بطريق الخطأ، فغسل بالغسل بالماء المتدفقة. في حالة ملامسة السائل للعينين، فاطلب المساعدة الطبية بالإضافة إلى الخطوة السابقة. فقد يؤدي السائل الخارج من البطارية إلى تهيج أو حروق بالعينين.
- (e) لا تستخدم بطارية أو أداة تالفة أو معذلة. يمكن أن تصدر على البطاريات التالفة أو المعذلة سلوكيات غير متوقعة، بما قد يؤدي إلى نشوب حريق أو انفجار أو التعرض لخطر الإصابة.
- (f) لا تعرض البطارية أو الأداة للتيران أو درجات الحرارة المفرطة. يمكن أن يؤدي التعرض للتيران أو لدرجات الحرارة التي تتجاوز ٠٣١ درجة مئوية إلى الانفجار.
- ملاحظة: يمكن استبدال درجة الحرارة "٠٣١ درجة مئوية" واستخدام درجة الحرارة "٥٦٢ درجة فهرنهايت" بدلاً منها.
- (g) التزام بكل تعليمات الشحن ولا تقم بشحن البطارية أو الأداة خارج نطاق درجات الحرارة المحددة في التعليمات. يمكن أن يؤدي الشحن بطريقة غير صحيحة أو في درجات حرارة خارج النطاق المحدد إلى إتلاف البطارية وزيادة خطر نشوب الحريق.

6 الخدمة

- (a) لا تقم بصيانة الأداة الكهربائية إلا لدى فني إصلاح مؤهل وباستخدام قطع الغيار المطابقة فقط. فسيضمن هذا الحفاظ على سلامة الأداة الكهربائية.
- (b) لا تقم على الإطلاق بصيانة البطاريات التالفة. يجب ألا تتم صيانة البطاريات إلا من خلال الشركة المصنعة أو موفر الخدمة المعتمدين فقط.

تحذيرات السلامة لمنشأ المتحيز

- امسك الأداة الكهربائية من الأسطح القابضة المعزولة فقط، عند أداء عملية قد يتلاصق فيها ملحق القطع مع أسلاك مفضية أو السلك الخاص بها. فإن ملحق القطع الملامس لسلك «مكهرب» يؤدي إلى «كهربة» الأجزاء المعدنية المشكوفة للأداة الكهربائية، وقد يصيب المشغل بصدمة كهربائية.
- احتفظ بيدك بعيدة عن نطاق النشر. لا تمد يدك أسفل قطعة العمل. قد تؤدي ملامسة شفرة المنشأ إلى حدوث إصابات.
- استخدم الآلة على قطعة العمل فقط عندما تكون قيد التشغيل. وإلا، فقد يحدث ارتداد عند انحسار أداة القطع في قطعة العمل.
- تحقق من استقرار لوحة القاعدة بإحكام على المادة أثناء النشر. يمكن أن تنكسر شفرة المنشأ المحسورة أو قد تؤدي إلى الارتداد.

- عند اكتمال عملية القطع، قم بإيقاف تشغيل الآلة، ثم اسحب شفرة المنشار خارج منطقة القطع وذلك عندما تتوقف تماماً. وبهذه الطريقة، يمكنك تجنب الارتداد ووضع الآلة بشكل آمن.
- لا تستخدم الإشارات المنشار السليمة والموجودة بحالة مثالية. الشفرات المثنية أو التلمة قد تتعرض للكسر، مما قد يؤثر سلباً على عملية القطع، أو قد يؤدي إلى حدوث ارتداد.
- لا تضغط على شفرة المنشار لإيقافها من خلال إجراء ضغط جانبي بعد إيقاف تشغيلها. قد تتعرض شفرة المنشار للتلف أو الكسر أو تتسبب في حدوث ارتداد.
- استخدم أجهزة اكتشاف مناسبة لتحديد ما إذا كانت كوابل الأداة مخفية في منطقة العمل، أو اتصل بالفرع المحلي لشركة الأداة للمساعدة. فالملامسة مع خطوط الكهرباء قد يؤدي إلى حدوث حريق أو صدمة كهربائية. كما أن إتلاف خط الغاز قد يؤدي إلى حدوث انفجار. وقد يؤدي اختراق خط مياه إلى حدوث ضرر للممتلكات.
- استخدم مشابك أو طريقة عملية أخرى لتأمين ودعم قطعة العمل بمنصة ثابتة، إن إمساك قطعة العمل باليد أو تثبيتها بجسمك يجعلها غير مستقرة وقد يؤدي إلى فقدان السيطرة عليها.
- انتظر دوماً حتى تتوقف الماكينة تماماً قبل وضعها على الأرض. فقد تتحسر أداة الإدخال وتؤدي إلى فقد السيطرة على أداة الطاقة.

تعد البطاريات الموجودة في منصة البطاريات FX-POWER بطاريات قابلة للتبديل مزودة بجميع أدوات منصة البطاريات FERM FX-POWER.

مستوى الاهتزاز

- لقد تم قياس مستوى انبعاث الاهتزاز المذكور في دليل التعليمات هذا وفقاً لاختبار معياري وورد في EN 62841، ويمكن استخدامه لمقارنة أداة واحدة مع أخرى وكنيجة لتقييم أولي للتعرض للاهتزاز عند استخدام الأداة في التطبيقات المذكورة.
- إن استخدام الأداة في تطبيقات مختلفة، أو مع ملحقات مختلفة أو تمت صيانتها بشكل ضعيف، قد يزيد بشكل كبير من مستوى التعرض.
- إن الأوقات التي يتم خلالها إيقاف تشغيل الأداة أو عند تشغيلها ولكن دون أداء المهمة بالفعل قد يقل بشكل كبير من مستوى التعرض.
- احم نفسك من آثار الاهتزاز من خلال صيانة الأداة وملحقاتها، والحفاظ على دفة يدك، وتنظيم أنماط العمل الخاص بك.

الوصف

تشير الأرقام الواردة في النص إلى الأشكال الموجودة في الصفحات 2-3.

2. معلومات الآلة

الاستخدام المقصود

الماكينة مخصصة لنشر الأخشاب والمعادن والبلاستيك والسيراميك والمطاط وما إلى ذلك بأي حجم مطلوب وبأي شكل مطلوب، مع الحفاظ على لوحة القاعدة مستقرة بإحكام على قطعة العمل. يتعين دوماً استخدام شفرة منشار مناسبة.

المواصفات الفنية

رقم الطراز	JSM1039
الجهد الكهربائي	20 فولت تيار مستمر
السرعة بدون حمل	0-2300 الدقيقة
شوط المنشار	18 مم
الحد الأقصى لفترة النشر في الخشب	80 مم
الحد الأقصى لفترة النشر في الصلب	6 مم
الوزن	1.85 كجم
مستوى ضغط الصوت LPA	87.8 ديسيبل (A)، 3=K ديسيبل (A)
مستوى قوة الصوت LWA	98.8 ديسيبل (A)، 3=K ديسيبل (A)
الاهتزاز عند «النشر في المعادن»	2 م/ث 1.5 = K 4.372 م/ث
الاهتزاز عند «النشر في الخشب الرقائقي»	2 م/ث 1.5 = K 6.627 م/ث

استخدم البطاريات التالية فقط من منصة بطاريات FX-POWER 20V. يمكن أن يؤدي استخدام أي بطاريات أخرى إلى إصابات خطيرة أو تلف للأداة.

CDA1167	ليثيوم أيون 20 فولت، 2 أمبير ساعة
CDA1168	ليثيوم أيون 20 فولت، 4 أمبير ساعة

يمكن استخدام الشاحن التالي لشحن هذه البطاريات.

CDA1169	مهايئ الشاحن
CDA1170	شاحن السريع
CDA1172	شاحن السريع

1. زر إيقاف الفقل
2. مفتاح التشغيل/إيقاف التشغيل
3. المقيض
4. البطارية (غير مضمنة)
5. زر إلغاء قفل البطارية
6. مفتاح حركة البندول
7. مقياس زاوية الميل
8. مهايئ التنظيف الفراغي
9. لوحة القاعدة
10. أسطوانة التوجيه
12. الواقي
13. رافعة التثبيت
14. مسامير للتوجيه المتوازي
15. المفتاح السداسي
16. الظرف
17. شفرة المنشار
18. مسمار لوحة القاعدة
19. الموجه المتوازي
21. علامة القطع
22. وصلة التلخص من الغبار

3. التجميع

قبل القيام بأي عمل في الأداة الكهربائية، أزل البطارية.



يجب شحن البطارية قبل أول استخدام.



4. التشغيل

تركيب البطارية في الآلة (الشكل و)

تأكد من نظافة وجفاف الجانب الخارجي للبطارية قبل توصيلها بالشاحن أو الآلة.



1. قم بتركيب البطارية (4) في قاعدة الآلة، كما هو مبين في الشكل هـ.
2. اضغط على البطارية بشكل أكبر إلى الأمام حتى تستقر في مكانها مع إصدار صوت طقطقة.

إزالة البطارية من الآلة (الشكل و)

1. اضغط على زر إلغاء قفل البطارية (5).
2. قم بإخراج البطارية من الآلة، كما هو مبين في الشكل هـ.

استبدال شفرة المنشار (الشكل أ، ب)

عند تركيب شفرة المنشار، يتعين ارتداء قفازات الحماية. خطر الإصابة عند لمس شفرة المنشار.



استخدم فقط شفرات المنشار المناظرة مع بيانات الخصائص الواردة في تعليمات التشغيل.



قم بطي الواقي (12) لأعلى قبل استبدال شفرة المنشار. يجب دائماً طي المنشار مع الواقي لأسفل.

تركيب شفرة المنشار

تأكد من أن حامل الشفرة خالٍ من ركام المعادن (مثل برادة الخشب أو المعدن).

1. أدر رافعة التثبيت (13) إلى أقصى اليسار تماماً وثبتها في هذا الموضع.
2. أدخل شفرة المنشار في الطرف (16). تحقق من أن شفرة المنشار مثبتة بأمان وأن سنونها تتجه ناحية القطع.
3. قم بتحريكها من رافعة التثبيت. تحقق من وضع الجزء الخلفي من شفرة المنشار في وسط أسطوانة التوجيه (10). تأكد من استخدام شفرة المنشار الصحيحة للمادة المناظرة. يأتي مع الآلة شفرة منشار خشنة للخشب وناعمة للمعادن وال بلاستيك.

إزالة شفرة المنشار

1. أدر رافعة التثبيت (13) إلى أقصى اليسار تماماً وثبتها في هذا الموضع.
2. أزل شفرة المنشار في الطرف (16).
3. قم بتحريكها من رافعة التثبيت.

توصيل الموجه المتوازي (الشكل ج)

1. قم بفك المسامير (14).
2. قم بتركيب الموجه المتوازي (٩١) على لوحة القاعدة (9).
3. اضبط عرض القطع المرغوب فيه باستخدام المقياس الموجود في الموجه المتوازي (٩١) وعلامة القطع الموجودة في لوحة القاعدة (9). تشير علامة القطع (١٢) إلى موضع شفرة المنشار.
4. أحكم ربط المسامير (14).

تشغيل الماكينة وإيقاف تشغيلها (الشكل أ)

يتم استخدام مفتاح التشغيل/إيقاف التشغيل (2) لتشغيل الآلة وضبط السرعة.

- لبدء تشغيل الآلة، اضغط مع الاستمرار على زر إيقاف القفل (1) ثم اضغط على مفتاح التشغيل/الإيقاف (2).
- كلما تم الضغط على مفتاح التشغيل/الإيقاف (2)، ستتحرك الشفرة بسرعة أكبر. تعتمد السرعات المطلوبة على المادة، ويمكن تحديدها من خلال الاختبار العملي.
- لإيقاف الآلة، حرر مفتاح التشغيل/الإيقاف (2).

ضبط زاوية الميل (الشكلان أ، د)

1. قم بفك المسامير (٨١) باستخدام المفتاح السداسي (15).
2. قم بضبط لوحة القاعدة (9) إلى الموضع المرغوب فيه (٠ - ٥٤ درجة). يمكن قراءة زاوية النشر (الميل) على المقياس (7).
3. قم بربط المسامير (٨١) باستخدام المفتاح السداسي (15). يمكن تخزين المفتاح السداسي في الآلة كما هو مبين في الشكل أ.

ضبط حركة البندول (الشكل أ)

يستخدم مفتاح حركة البندول (6) لضبط الطريقة التي تمسك بها شفرة المنشار بالمواد. يمكن ضبط مفتاح حركة البندول على أربعة مواضع:

- 0 - لا توجد حركة بندول
- 1 - حركة البندول بسيطة
- 2 - حركة البندول متوسطة
- 3 - حركة البندول كبيرة

يمكن تحديد حركة البندول المطلوبة من خلال الاختبار العملي، مع ضرورة الالتزام بالتعليمات التالية:

- المواد اللينة (الخشب والبلاستيك وما إلى ذلك): اضبط البندول على المستوى II أو III. للحصول على نشر أكثر دقة وأنظف، اضبط البندول على المستوى ٠ أو ١.
- المواد الرقيقة، اضبط البندول على المستوى ٠.
- المواد الصلبة (الأخشاب الصلبة، الصلب وما إلى ذلك): اضبط البندول على المستوى ٠.
- المنحنيات: اضبط البندول على المستوى ٠.

التخلص من الغبار (الشكل هـ)

- أدخل مهبل التخلص من الغبار (8) في وصلة التخلص من الغبار (22).
- قم بتوصيل خرطوم مكنتسة كهربائية بوصلة التخلص من الغبار (8).

القطع الدائري (الشكل ز)

يمكن استخدام القطع الدائري للمواد اللينة مثل الخشب والخرسانة الخلوية والأواح طينة الجص، وما إلى ذلك، ولكن يتطلب ذلك ممارسة محددة، ولا يمكن ذلك إلا من خلال شفرات المنشار القصيرة.

1. ضع المنشار على قطعة العمل وقم بتشغيله.
2. تأكد من أن الحافة السفلية للوحة السفلية مستقرة على سطح قطعة العمل كما هو مبين في الشكل ز.
3. قم بالنشر ببطء في قطعة العمل بزاوية، مع تحريك المنشار إلى الوضع الرأسي والاستمرار في النشر بطول خط القطع.
4. قم بإيقاف تشغيل المنشار وإزالة قطع العمل عند اكتمال العمل.

يتم استثناء الظروف التالية من هذا الضمان:

- إجراء عمليات إصلاح و/ أو استبدال أو محاولة إجرائها على الماكينة في مراكز خدمة غير معتمدة.
- عمليات البلى والتآكل الطبيعية.
- حالات إساءة استعمال الأداة أو سوء استخدامها أو إجراء صيانة غير مناسبة.
- استخدام قطع غيار غير أصلية.
- ويستلزم ذلك إصدار ضمان فردي من قبل الشركة سواءً كان صريحاً أم ضمنياً. لن تكون هناك أي ضمانات أخرى صريحة أو ضمنية والتي تتجاوز الفترة الموضحة هنا، بموجب هذه الوثيقة، بما في ذلك الضمانات الضمنية لقابلية الترويح والملاءمة لغرض معين. بأي حال من الأحوال، لن تكون FERM مسؤولة عن أي أضرار عرضية أو تبعية. ستكون سبل الانتصاف من قبل الوكلاء مقتصره على عمليات الإصلاح أو الاستبدال للأجزاء أو قطع الغيار غير المطابقة للمواصفات.

المنتج ودليل المستخدم عرضة للتغيير. ويمكن تغيير المواصفات دون إشعار آخر.

5. الصيانة

قبل التنظيف والصيانة، قم دائماً بإيقاف تشغيل الآلة وإزالة البطارية من الماكينة.



قم بتنظيف أغشية الماكينة باستخدام قطعة قماش ناعمة بصفة منتظمة، ويُفضل أن يتم ذلك بعد كل استخدام. وتأكد من خلو فتحات التهوية من الأتربة والأوساخ. وقم بإزالة الأوساخ العنيدة جداً باستخدام قطعة قماش ناعمة مغموسة في رغوة الصابون. لا تستخدم أي مذيبات، مثل البنزين والكحول والأمونيا وغيرها. فإن مثل هذه المواد الكيميائية ستؤدي إلى تلف المكونات الاصطناعية.

البيئة

يجب تجميع الأجهزة الكهربائية أو الإلكترونية المعيبة و/أو المهملة في مواقع إعادة التدوير المناسبة.



ليبلان الاتحاد الأوروبي فقط

لا تتخلص من الأدوات الكهربائية في النفايات المنزلية. ووفقاً للتوجيه الأوروبي EC/2012/19 بخصوص نفايات المعدات الكهربائية والإلكترونية وتنفيذها في حق وطني، يجب جمع الأدوات الكهربائية التي لم تعد صالحة للاستعمال بشكل منفصل والتخلص منها بطريقة صديقة للبيئة.

الضمان

تم تصنيع منتجات FERM وفق أعلى معايير الجودة، وتتمتع بضمان ضد عيوب المواد الخام وعيوب الصناعة للفترة المنصوص عليها قانونياً بدءاً من تاريخ الشراء الأصلي. في حالة ظهور أي عيب أثناء تلك الفترة بسبب عيب في المادة الخام و/ أو الصناعة، فانتصل بوكيل FERM على الفور.

DEKUPAJ JSM1039

Bu Ferm ürününü satın aldığınız için teşekkür ederiz. Bu sayede artık Avrupa'nın önde gelen sağlayıcılarından biri tarafından teslim edilen, mükemmel bir ürüne sahipsiniz. Ferm tarafından size teslim edilen bütün ürünler en yüksek performans ve güvenlik standartlarına göre üretilmiştir. Felsefemizin bir parçası olarak ayrıca kapsamlı garantimiz tarafından desteklenen mükemmel bir müşteri hizmeti sağlıyoruz. Umarız bu ürünü gelecek yıllar boyunca kullanmaktan zevk alırsınız.

1. GÜVENLİK TALIMATLARI



Ekteki güvenlik uyarılarını, ilave güvenlik uyarılarını ve talimatları okuyun. Güvenlik uyarılarını ve talimatları izlemek elektrik çarpması, yangın ve/veya cid di yaralanma ile sonuçlanabilir. **Güvenlik uyarılarını ve talimatları ilerde bakmak üzere muhafaza edin.**

Asağıdaki semboller kullanıcı kılavuzunda veya ürün üzerinde kullanılmaktadır:



Kullanıcı kılavuzunu okuyun.



Bu kılavuzdaki talimatlara uymama durumunda bedensel yaralanma, can kaybı veya alete hasat riskini belirtir.



Degisken elektronik hiz.



*Güvenlik eldivenleri giyin.
Duyma koruması takın.*



Bir toz maskesi takın.



Ürünü uygun olmayan kaplara atmayın.



Ürün, Avrupa yönergelerindeki geçerli güvenlik standartlarına uygundur.

GENEL ELEKTRIKLI ALET GÜVENLİK UYARILARI



UYARI Tüm güvenlik uyarılarını ve tüm talimatları okuyun. Uyarılara uyulmadı ve talimatlar elektrik çarpmasına, yangına ve/veya ciddi yaralanmalara neden olabilir.

Tüm uyarıları ve talimatları gelecekte başvurmak üzere saklayın.

Uyarılardaki "elektrikli alet" terimi, şebeke elektriği ile çalışan (kablolu) elektrikli alet veya pil ile çalışan (kablosuz) elektrikli alet anlamına gelir.

1) İş aşanı güvenliği

- İş alanını temiz ve aydınlık tutun.** Dağınık veya karanlık bölgeler, kazalara davetiye çıkarır.
- Elektrikli aletleri, yanıcı sıvıların, gazların veya tozun var olduğu patlayıcı atmosferlerde kullanmayın.** Elektrikli aletler, tozu veya dumanları ateşleyebilecek kıvılcımlar oluşturur.
- Bir elektrikli aleti kullanırken, çocukları ve çevredeki uzak tutun.** Dikkatiniz dağılırsa kontrolü kaybedebilirsiniz.

2) Elektrik güvenliği

- Elektrikli alet fişleri, prize uygun olmalıdır. Fişi, hiçbir şekilde modifiye etmeyin. Topraklı elektrikli aletlerle, herhangi bir fiş adaptörü kullanmayın.** Modifiye edilmemiş fişler ve buna uygun prizler, elektrik çarpması riskini azaltır.
- Borular, radyatörler, ocaklar ve buzdolapları gibi topraklı yüzeylerle temastan kaçının.** Eğer vücudunuz topraklanmışsa, elektrik çarpması riski daha fazla olur.
- Elektrikli aletleri yağmura veya ıslaklığa maruz bırakmayın.** Bir elektrikli alete su girmesi durumunda, elektrik çarpması riski artacaktır.
- Kabloya kötü davranmayın.** Kabloyu taşıma amacıyla, elektrikli aleti ya da elektrikli aletin fişini çekmek için kullanmayın. Kabloyu ısıdan, yağdan, keskin kenarlardan ya da hareketli parçalardan uzak tutun. Hasar görmüş ya da dolaşmış kablolar, elektrik çarpması riskini artırır.
- Bir elektrikli aleti dış mekanlarda kullanırken, dış mekan kullanımına uygun bir uzatma kablosu kullanın.** Dış mekan kullanımına uygun ir kablo kullanıldığında, elektrik çarpması riski azalır.

- f) **Elektrikli aleti nemli bir konumda çalıştırmak kaçınılmazsa, kaçak akım cihazı (RCD) korumalı bir kaynak kullanın. RCD kullanımını elektrik çarpması riskini azaltır.**
- 3) Kişisel güvenlik**
- a) **Elektrikli aleti kullanırken tetikte kalın, ne yaptığınıza dikkat edin ve sağduyulu davranın. Bir elektrikli aleti yorgun olduğunuzda ya da uyuşturucu, alkol veya ilaç etkisindeyken kullanmayın. Elektrikli aleti kullanırken bir anlık dikkatsizlik ciddi kişisel yaralanmalara neden olabilir.**
- b) **Kişisel koruyucu donanım kullanın. Her zaman göz koruması takın. Uygun durumlar için kullanılan toz maskesi, kaymaz güvenlik ayakkabıları, baret veya kulak tıkacı gibi koruyucu donanımlar, kişisel yaralanma riskini azaltacaktır.**
- c) **Kasıtsız çalışmayı önleyin. Bir elektrik kaynağını ve/veya pil takımını bağlamadan, aleti kaldırmadan ya da taşımadan önce elektrikli aletin anahtarının kapalı durumda olduğundan emin olun. Elektrikli aletleri parmağınız anahtar üzerindeyken taşımak veya anahtarları açık elektrikli aletleri harekete geçirmek kazalara davetiye çıkarır.**
- d) **Elektrikli aleti açık duruma getirmeden önce her türlü ayar anahtarını çıkarın. Elektrikli aletin dönen bir parçasında kalan bir anahtar, kişisel yaralanmalara neden olabilir.**
- e) **Fazla uzanmayın. Ayaklarınızı sağlam basın ve her zaman dengeli olun. Böylece beklenmeyen durumlarda elektrikli aleti daha iyi kontrol edebilirsiniz.**
- f) **Uygun kıyafetler giyin. Bol kıyafetler giymeyin, takılar takmayın. Saçınızı, kıyafetlerinizi ve eldivenlerinizi, hareketli parçalardan uzak tutun. Bol kıyafetler, takılar veya uzun saç, hareketli parçalara takılabilir.**
- g) **Eğer cihazlar toz giderme ve toplama tesislerinin bağlantısı için sağlanmışsa, bunların bağlandığından ve düzgün bir şekilde kullanıldığından emin olun. Toz toplama ile tozla ilgili tehlikeleri azaltılabilir.**
- h) **Aletlerin sık kullanılmasından edindiğiniz bilgi birikiminin sizi aşırı rehavete sürüklemesine izin vermeyin ve araç güvenliği ilkelerini göz ardı etmeyin. Dikkatsiz bir hareket, bir saniyeden bile kısa sürede ciddi yaralanmalara neden olabilir.**
- 4) Elektrikli alet kullanımı ve bakımı**
- a) **Elektrikli aleti zorlamayın. Uygulamanız için doğru elektrikli aleti kullanın. Doğru elektrikli alet, tasarım amacına uygun olarak işi daha iyi yapacaktır.**
- b) **Eğer anahtarlar açılıp kapatılmıyorsa, elektrikli aleti kullanmayın. Anahtarlar kumanda edilemeyen elektrikli aletler tehlikelidir ve tamir edilmelidir.**
- c) **Herhangi bir ayar, aksesuar değişimi ya da depolama işleminden önce elektrikli aletin fişini elektrik kaynağından çıkarın ve/veya pil takımını elektrikli aletten çıkarın. Bu tür önleyici güvenlik önlemleri, elektrikli aletin kazara çalışma riskini azaltır.**
- d) **Boş durumdaki elektrikli aletleri çocukların erişemeyeceği bir yerde muhafaza edin ve elektrikli aletin nasıl çalıştığını ya da bu talimatları bilmeyen kişilerin elektrikli aleti kullanmasına izin vermeyin. Elektrikli aletler, eğitimsiz kullanıcıların elinde tehlikeli olur.**
- e) **Elektrikli aletlerin bakımını yapın. Hatalı ayarlar veya hareketli parçaların bağlanması, parça kırılmaları ve elektrikli aletin çalışmasını etkileyebilecek diğer durumlar için kontrol gerçekleştirin. Eğer herhangi bir hasar varsa, elektrikli alet kullanılmadan önce tamir edilmelidir. Çoğu kazaya bakımı iyi yapılmayan elektrikli aletler neden olur.**
- f) **Kesme aletlerini keskin ve temiz tutun. Bakımı iyi yapılan ve keskin kenarlara sahip kesme aletlerinde donmalar daha az yaşanır ve kontrol edilmeleri daha kolay olur.**
- g) **Elektrikli aleti, aksesuarlarını ve torna kalemlerini bu talimatlara uygun olarak kullanın, çalışma koşullarını ve gerçekleştirilecek olan işi dikkate alın. Elektrikli aletin kullanım amacı dışında kullanılması, tehlikeli durumlara sonuçlanabilir.**
- h) **Tutamakları ve tutma yerlerini kuru, temiz ve yağdan arındırılmış şekilde muhafaza edin. Kaygan tutamaklar ve tutma yerleri, beklenmedik durumlarda aletin güvenli şekilde taşınmasına ve kontrol edilmesine izin vermez.**
- 5) Pili alet kullanımı ve bakımı**
- a) **Yalnızca üretici tarafından belirtilen şarj aletiyle şarj edin. Bir türde pil takımı için uygun bir şarj cihazı, başka bir pil takımı ile kullanıldığında yangın riski oluşturabilir.**

- b) **Elektrikli aletleri yalnızca özel olarak belirlenmiş pil takımlarıyla kullanın.** *Başka pil takımlarının kullanımı yaralanma ve yangın riski oluşturabilir.*
- c) **Pil takımı kullanılmadığı zamanda, ataşlar, bozuk paralar, anahtarlar, çiviler, vidalar veya diğer küçük metal nesnelere gibi bir uçtan diğerine bir bağlantı yapabilecek diğer metal nesnelere uzak tutun.** *Pil uçlarını birbirine kısa devre yaptırmak yanıklara veya yangına neden olabilir.*
- d) **Bozulma durumlarında pilden sıvı çıkabilir; temastan kaçının.** **Kazara temas gerçekleşirse, suyla yıkayın.** **Sıvı gözlerle temas ederse ayrıca tıbbi yardım isteyin.** *Pilden çıkan sıvı tahrişe veya yanıklara neden olabilir.*
- e) **Hasarlı veya üzerinde değişiklik yapılmış bir batarya veya aleti kullanmayın.** *Hasarlı veya üzerinde değişiklik yapılmış bataryalar, yangın, patlama ya da yaralanma riskiyle sonuçlanan beklenmedik davranışlar sergileyebilir.*
- f) **Batarya veya aleti ateşe veya aşırı sıcaklığa maruz bırakmayın.** *Ateşe veya 130 °C üzeri sıcaklıklara maruz kalması patlamaya yol açabilir.* **NOT** Sıcaklık birimi olarak kullanılan „130 °C“ yerine „265 °F“ kullanılabilir.
- g) **Tüm şarj talimatlarına uyun ve batarya veya aleti talimatlarda belirtilen sıcaklık aralığının dışındaki ortamlarda şarj etmeyin.** *Yanlış şekilde veya belirtilen aralığın dışındaki sıcaklıklarda şarj etmek bataryaya zarar verebilir ve yangın riskini artırabilir.*
- 6) **Servis**
- a) **Elektrikli aletinizin servis işlemlerini, yalnızca aynı yedek parçaları kullanan vasıflı bir tamircinin yapmasını sağlayın.** *Bu, elektrikli aletin güvenliğinin korunmasını sağlayacaktır.*
- b) **Hasarlı bataryalara asla kendiniz bakım yapmaya çalışmayın.** *Bataryadaki bakım işlemleri sadece üretici veya yetkili servisler tarafından yapılmalıdır.*

DEKUPAJ TESTERELER İÇİN GUVENLİK UYARILARI

- **Bir işlem sırasında kesme aleti gizli kablolarla temas edebileceği için kesim aksesuarını yalıtımlı tutma yüzeylerinden tutun.** Kesici aletin, “elektrik akımı” bulunan kablolarla teması halinde “akım”, elektrikli aletin iletken metal

parçaları üzerinden operatöre iletilerek elektrik carpmasına yol açabilir.

- **Ellerinizi kesim alanından uzak tutun. Üzerinde çalıştığımız parçaya altından ulaşmayı denemeyin.** Testere bacağı ile temas yaralanmalara neden olabilir.
- **Makineyi ancak çalıştırdıktan sonra iş parçasına doğru ilerletin.** Aksi halde, kesici alet iş parçasında sıkıştığında geri tepme tehlikesi vardır.
- **Kesim yapılırken taban plakasının malzemeye sağlam bir şekilde oturmasına dikkat edin.** Sıkışmış bir testere bacağı kırılabilir veya geri tepmeye neden olabilir.
- **Kesim tamamlandığında, makineyi kapatın ve ardından testere bacağına kesilen yerden ancak durduktan sonra çekin.** Bu şekilde geri tepmeyi önleyebilir ve makineyi güvenli bir şekilde yerleştirebilirsiniz.
- **Sadece hasar görmemiş, mükemmel durumda olan testere bacaklarını kullanın.** Kıvrılmış veya korelmüş testere bacakları kırılabilir, kesimi olumsuz etkileyebilir veya geri tepmeye neden olabilir.
- **Kapattıktan sonra yandan baskı uygulayarak testere bacağına durdurmayın.** Testere bacağı zarar görebilir, kırılabilir veya geri tepmeye neden olabilir.
- **Çalışma alanında gizli tesisat hattı olup olmadığını belirlemek için uygun detektorler kullanın veya yardım için yerel kamu hizmet şirketini arayın.** Elektrik hatları ile temas yangına ve elektrik carpmasına neden olabilir. Bir doğalgaz hattının hasar görmesi patlamaya neden olabilir. Su hattını delmek maddi hasara neden olur.
- **İş parçasını sabit bir platforma sıkıca tutturmak ve desteklemek için kelepçeler veya başka bir pratik yöntem kullanın.** İş parçasını elle tutmak veya vücudunuza dayamak dengesiz durmasını neden olur ve bu da kontrol kaybına yol açabilir.
- **Makineyi yere koymadan önce tamamen durmasını bekleyin.** Alet ek parçası sıkışabilir ve elektrikli alet üzerinde kontrol kaybına yol açabilir.

2. MAKİNE BİLGİSİ

Kullanım amacı

Makine, taban plakasını iş parçası üzerinde sıkıca tutarken istenen herhangi bir büyüklükte ve şekilde ahşap, metal, lastik, seramik, kauçuk vb. kesmek için tasarlanmıştır. Her zaman uygun bir testere bacağı kullanılmalıdır.

Teknik spesifikasyonlar

Model No.	JSM1039
Voltajı	20V DC
Yüksüz devir	0-2300/min
Testere vuruşu	18mm
Maks. testere kapasitesi ahşap 0°	80mm
Maks. testere kapasitesi çelik 0°	6mm
Ağırlık	1,85 kg
Ses basıncı seviyesi LPA	87,8 dB(A), K=3dB(A)
Ses şiddeti seviyesi LWA	98,8 dB(A), K=3dB(A)
Vibrasyon 'Sac levhanın testere'	4,372 m/s ² K=1,5 m/s ²
Vibrasyon 'Kontrplak gördüm'	6,627 m/s ² K=1,5 m/s ²

Sadece aşağıdaki FX-POWER 20V batarya platformuna ait bataryaları kullanın. Başka batarya kullanmak, ciddi yaralanmalara neden olabilir veya alete zarar verebilir.

CDA1167 20V, 2Ah Lityum-iyon
CDA1168 20V, 4Ah Lityum-iyon

Bu bataryaları şarj etmek için aşağıdaki şarj aleti kullanılabilir.

CDA1169 Şarj cihazı adaptörü
CDA1170 Hızlı şarj aleti
CDA1172 Hızlı şarj aleti

FX-POWER 20V batarya platformuna ait bataryalar, tüm FX-POWER 20V batarya platformu aletleriyle karşılıklı değiştirilebilir.

Vibrasyon seviyesi

Bu talimat kılavuzunda belirtilen vibrasyon emisyon seviyesi EN 62841 içinde verilen bir standart teste uygun olarak ölçülmüştür; bir aleti başka bir aletle karşılaştırmak için ve aleti adı geçen uygulamalar için kullanırken bir ilk maruz kalma değerlendirmesi olarak kullanılabilir.

- aleti farklı uygulamalar için veya farklı ya da kötü bakılan aksesuarlarla kullanmak maruz kalma seviyesini büyük ölçüde artırabilir
- aletin kapalı olduğu veya çalışıp da gerçekten işi yapmadığı zamanlar maruz kalma seviyesini büyük ölçüde azaltabilir.

Aletin ve aksesuarların bakımını yaparak, ellerinizi sıcak tutarak ve çalışma düzenlerinizi organize ederek vibrasyonun etkilerine karşı kendinizi koruyun.

Acıklama

Metindeki numaralar sayfa 2-3'deki çizimleri işaret etmektedir.

1. Kilitleme düğmesi
2. Acma / kapama düğmesi
3. Tutamak
4. Pili (urune dahil değildir)
5. Pili kilidini acma düğmesi
6. Sarkac hareketi düğmesi
7. Eğim acısı için olcek
8. Elektrikli süpürge adaptörü
9. Taban plakası
10. Kılavuz silindir
12. Siper
13. Kelepçeleme kolu
14. Paralel korkuluk civataları
15. Alyan anahtarı
16. Matkap kovani
17. Testere bacağı
18. Taban plakası civatası
19. Paralel korkuluk
21. Kesme işareti
22. Toz tahliye bağlantısı

3. MONTAJ



Elektrikli alet üzerinde herhangi bir çalışma yapmadan önce, bataryayı çıkarın.



İlk kullanımdan önce batarya sarj edilmelidir.

Pilin makineye takılması

Şekil F



Şarj aletine veya makineye bağlamadan önce pilin dış kısmının temiz ve kuru olmasını sağlayın.

1. Pili (4) Şekil E'de gösterildiği gibi makinenin alt kısmına takın.
2. Yerine oturana kadar pili daha ileriye itin.

Pilin makineden çıkartılması

Şekil F

1. Pil kilit açma düğmesine (5) basın
2. Pili Şekil E'de gösterildiği gibi makineden çıkarın.

Testere bacağına değiştirilmesi

Şekil A, B



Testere bacağına monte ederken koruyucu eldiven kullanın.



Testere bacağına dokunulduğunda yaralanma tehlikesi. Sadece kullanım talimatlarında verilen karakteristik verilere karşılık gelen testere bacaklarını kullanın.

Testere bacağına değiştirmeden önce Siperi (12) yukarı katlayın. Daima siper aşağı doğru katlanmış olarak kesim yapın.

Testere bacağına takılması

Bıçak tutucusunda malzeme artıkları (tahta kıymıkları veya metal gibi) bulunmadığından emin olun.

1. Kelepçeleme kolunu (13) mümkün olduğunca sola çevirin ve bu konumda tutun.
2. Testere bacağına kovana (16) yerleştirin. Testere bacağına sağlam bir şekilde sabitlendiğinden ve dişlerin aşağıya donuk olduğundan emin olun.
3. Kelepçeleme kolunu bırakın. Testere bacağına yerine kilitleyip kilitlemediğini kontrol edin. İlgili malzeme için doğru testere bacağına kullandığınızdan emin olun. Makine ile birlikte ahşap için kalın dişli bir testere bacağı ve metal ve plastic için ince dişli bir testere bacağı verilir.

Testere bacağına çıkartılması

1. Kelepçeleme kolunu (13) mümkün olduğunca sola çevirin ve bu konumda tutun.
2. Testere bacağına kovandan (16) çıkartın.
3. Kelepçeleme kolunu bırakın.

Paralel kılavuzun takılması

Şekil C

1. Kelebek civatalarını (14) gevşetin.
2. Paralel korkuluğu (19) taban plakasına (9) yerleştirin.
3. Paralel kılavuzdaki olceği (19) ve taban plakasındaki (9) kesme işaretini kullanarak istenen kesme genişliğini ayarlayın. Kesme işareti (21) testere bacağına konumunu gösterir.
4. Kelebek civatalarını (14) sıkın.

4. ÇALIŞTIRMA

Makinenin açılması/kapatılması

Şekil A

Acma/kapama düğmesi (2) makineyi çalıştırmak ve hızı ayarlamak için kullanılır.

- Makineyi çalıştırmak için, kilitleme düğmesine (1) basılı tutun ve acma/kapama düğmesine (2) basın.
- Acma/kapama düğmesine (2) ne kadar çok basılırsa, bıçak o kadar hızlı hareket eder. Gerekli hız, malzemeye bağlıdır ve pratik testlerle belirlenebilir.
- Makineyi durdurmak için acma/kapama düğmesini (2) bırakın.

Eğim acısının ayarlanması

Şekil A,D

1. Allen anahtarını (18) kullanarak civatayı (15) gevşetin.
2. Taban plakasını (9) istenen pozisyona (0° - 45°) ayarlayın. Kesme acısı (eğim) acı göstergesinde (7) okunabilir.
3. Allen anahtarını (18) kullanarak civatayı (15) sıkın. Allen anahtarını, Şekil B'de gösterildiği gibi makinede saklamak mümkündür.

Sarkac hareketinin ayarlanması

Şekil A

Sarkac hareketi düğmesi testere bacağı dişlerinin malzemeyi kavrama şeklini ayarlamak için kullanılır. Sarkac hareketi düğmesi 4 farklı konuma ayarlanabilir:

- 0 - Sarkac hareketi yok
- 1 - Küçük sarkac hareketi
- 2 - Orta sarkac hareketi
- 3 - Büyük sarkac hareketi

Gerekli sarkac eylemi, aşağıdaki talimatlara uyulmasına rağmen, pratik testlerle belirlenebilir:

- Yumuşak malzeme (ahşap, plastik vb.): Sarkac seviyesini II veya III konumuna getirin. Testere ile daha pürüzsüz ve temiz bir kesimi için, sarkac seviye 0 veya I kullanın.
- İnce malzeme, sarkac seviye 0 kullanın.
- Sert malzeme (çelik vb.): sarkacı seviye 0 konumuna ayarlayın.
- Kıvrımlar: sarkacı seviye 0 konumuna ayarlayın.

Toz emme**Şekil E**

- Toz tahliye adaptörünü (8) toz tahliye bağlantısına (22) takın.
- Elektrikli süpürge hortumunu toz tahliye adaptörüne (8) bağlayın.

Daldırma kesimi**Şekil G**

Daldırma kesimi sadece ahşap, gozenekli beton, alçı levha ürünleri gibi yumuşak materyallerle kullanılabilir. Bununla birlikte bu kesim için belirli bir pratik gerekir ve sadece kısa testere bacaklarıyla mümkündür.

1. Testere tabanını iş parçası üzerine koyun ve aleti çalıştırın.
2. Ayaklığın alt kenarının şekilde gösterildiği gibi iş parçasına yaslandığından emin olun.
3. Testereyi dikey bir konuma hareket ettirerek iş parçasını yavaşça kesin ve kesim çizgisi boyunca kesme işlemine devam edin.
4. İş tamamlandığında testereyi kapatın ve iş parçasını kaldırın.

İdeal kullanım için ipuçları

- İş parçasını kelepçe ile sabitleyin. Küçük iş parçaları için bir sıkma aleti kullanın.
- Testere bacağına ilerleyeceği yonu tanımlamak için bir çizgi çizin.
- Makineyi sapından sıkıca tutun.
- Kesim hızını ayarlayın.
- Gonye acısını ayarlayın.
- Sarkac konumunu ayarlayın.
- Makineyi acın.
- Makine tam hıza ulaşana dek bekleyin.
- Testere pabucunu iş parçasının üzerine getirin.
- Makineyi, testere pabucunu iş parçasına sıkıca bastırarak önceden çizilmiş çizgi boyunca yavaşça hareket ettirin .
- Makine üzerinde çok fazla basınc uygulamayın. İşi makinenin yapmasına izin verin.
- Makineyi kapatın ve makineyi bir kenara koymadan önce makinenin tamamen durmasını bekleyin.

5. BAKIM

Arızalı ve/veya atılmış elektrikli veya elektronik ekipmanların uygun geri dönüşüm konularında toplanması gerekir.

Makine kaplamalarını yumuşak bir bezle, tercihen her kullanımdan sonra düzenli olarak temizleyin. Havalandırma deliklerinin toz ve kirden arınmış olduğundan emin olun. Çok inatçı kirleri sabun köpüğüyle ıslatılmış yumuşak bir bezle çıkarın. Benzin, alkol, amonyak vs. gibi çözücü maddeleri kullanmayın. Bunlar gibi kimyasallar sentetik bileşenlere zarar verecektir.

ÇEVRE

Arızalı ve/veya atılmış elektrikli veya elektronik ekipmanların uygun geri dönüşüm konularında toplanması gerekir.

Yalnızca AT ülkeleri için

Elektrikli aletleri evsel atık olarak atmayın. Atık Elektrikli ve Elektronik Donanım için Avrupa İlkeleri 2012/19/EU'ya ve bunun yerel hukuk çerçevesinde uygulamasına göre, artık kullanılamaz olan elektrikli aletler ayrı olarak toplanmalı ve çevre dostu bir yolla imha edilmelidir.

GARANTİ

FERM ürünleri yüksek kalite standartları doğrultusunda geliştirilmiştir ve ilk satın alımdan itibaren kanunen belirlenen süre boyunca materyal ve işçilik açısından kusursuz olacağı garanti edilmektedir. Bu süre zarfında, kusurlu materyal ve/veya işçilikten dolayı üründe herhangi bir arıza meydana gelmesi durumunda, doğrudan FERM satıcınıza iletişim kurun.

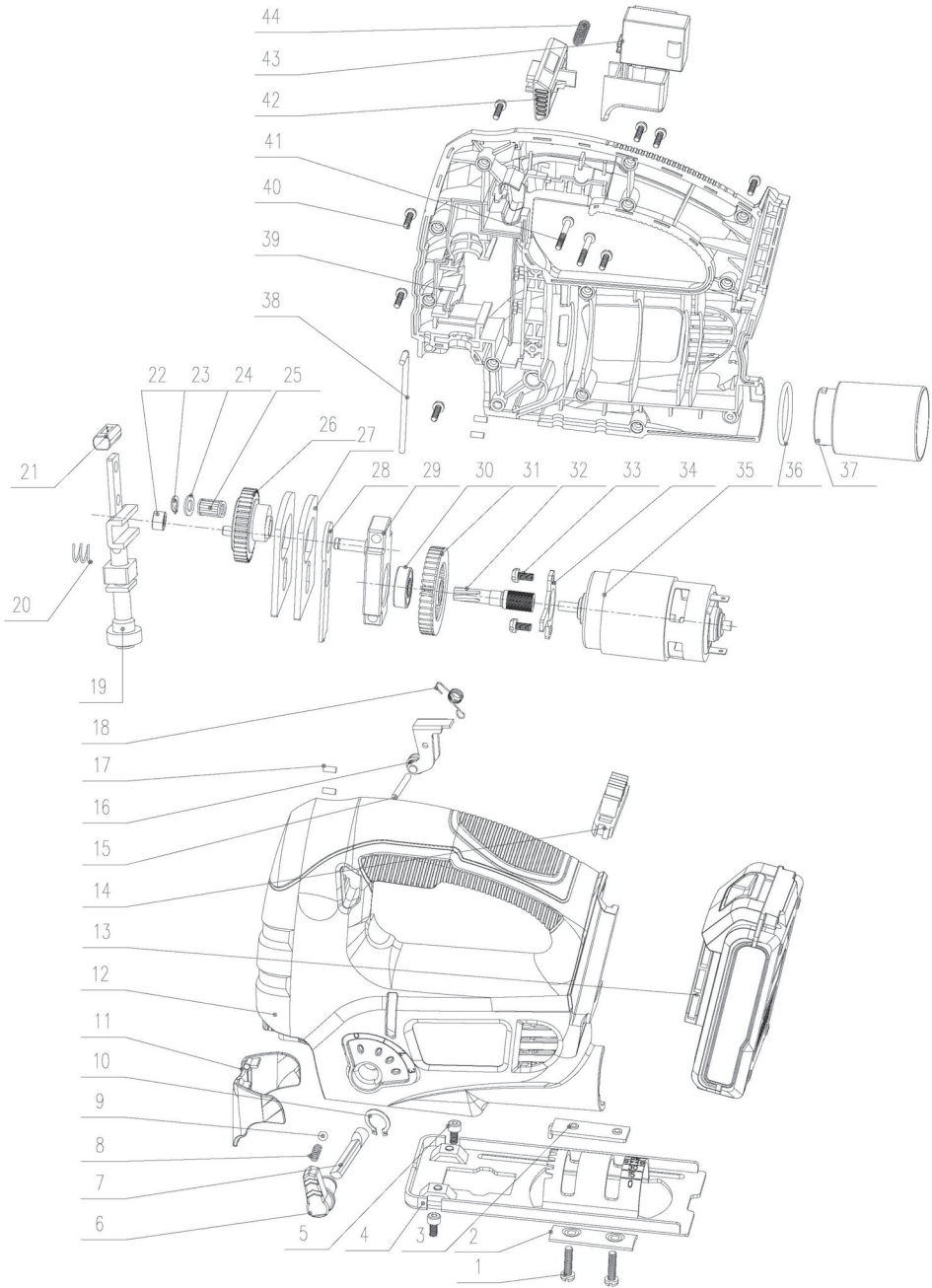
Takip eden durumlar bu garanti kapsamı dışındadır:

- Yetkisiz servis merkezleri tarafından yapılan veya yapılmaya teşebbüs edilen onarım ve/veya değişiklikler.
- Normal aşınma ve eskime.
- Cihazın kötü ve yanlış kullanılması veya cihaza yanlış bakım yapılması.
- Orijinal olmayan yedek parçaların kullanılması.

Bu, şirket tarafından açık ya da zımni verilmiş tek garantiyi oluşturur. Belirli bir amaç için ticarete elverişlilik ve uygunluğun zımni garantileri dahil dış görünüşünün ötesine uzanan açık veya zımni başka hiçbir garanti yoktur. FERM herhangi bir arızı veya dolaylı zarardan hiçbir halükarda sorumlu olmayacaktır. Bayilerin getireceği çözümler uygunsuz birimlerin veya parçaların onarımı veya değiştirilmesiyle sınırlı olacaktır.

**Ürün ve kullanıcı kılavuzu değişikliğe tabidir.
Spesifikasyonlar başka bir uyarı olmaksızın değiştirilebilir.**

Exploded view





DECLARATION OF CONFORMITY JSM1039 - JIG SAW

- (EN) We declare under our sole responsibility that this product is in conformity with directive 2011/65/EU of the European parliament and of the council of 8 June on the restriction of the use of certain hazardous substances in electrical and electronic equipment is in conformity and accordance with the following standards and regulations:
- (PT) Declaramos, sob nosa exclusiva responsabilidade, que este produto está em conformidade com a directiva 2011/65/UE do Parlamento Europeu e com a do conselho de 8 de Junho sobre a restrição da utilização de determinadas substâncias perigosas em equipamento eléctrico e electrónico está em conformidade e de acordo com as seguintes normas e regulamentações:
- (HR) Izjavljujemo pod vlastitom odgovornošću da je strojem ukladan sa slijedešim standardima ili standardiziranim dokumentima i u skladu sa odredbama: uskladenost s Direktivom 2011/65/EU europskog parlamenta i vijeća izdanom 8. lipnja 2011. o ograničenju korištenja određenih opasnih tvari u električnoj i elektroničkoj opremi.
- (RU) Под свою ответственность заявляем, что данное изделие соответствует следующим стандартам и нормам: соответствует требованиям Директивы 2011/65/EU Европейского парламента и совета от 8 июня 2011 г. по ограничению использования определенных опасных веществ в электрическом и электронном оборудовании.
- (AR) نعلن على مسئوليتنا وحننا أن هذا المنتج يتوافق مع المعايير والتوجيهات التالية
- (TR) Tek sorumlusu biz olmak üzere bu ürünün Avrupa Parlamentosunun 2011/65/EU ve 8 Haziran 2011 tarihli konseyin elektrikli ve elektronik ekipmanlarda belirlenmiş tehlikeli malzeme kullanımının kısıtlanması hakkındaki talimatları ile birlikte aşağıda belirtilen standart ve yönergelere uygun ve uyumlu olduğunu beyan ederiz.

**EN 55014-1, EN 55014-2, EN 62841-1, EN 62841-2-11,
2006/42/EC, 2014/30/EU, 2012/19/EU, 2011/65/EU**

Zwolle, 01-09-2021

H.G.F Rosberg
CEO FERM

FERM - Lingenstraat 6 - 8028 PM - Zwolle - The Netherlands

