



X
SERIES

User's Manual

PROFESSIONAL SPEAKER SYSTEM

X 8A/10A/12A/15A



TOPP PRO MUSIC GEAR

www.topppro.com

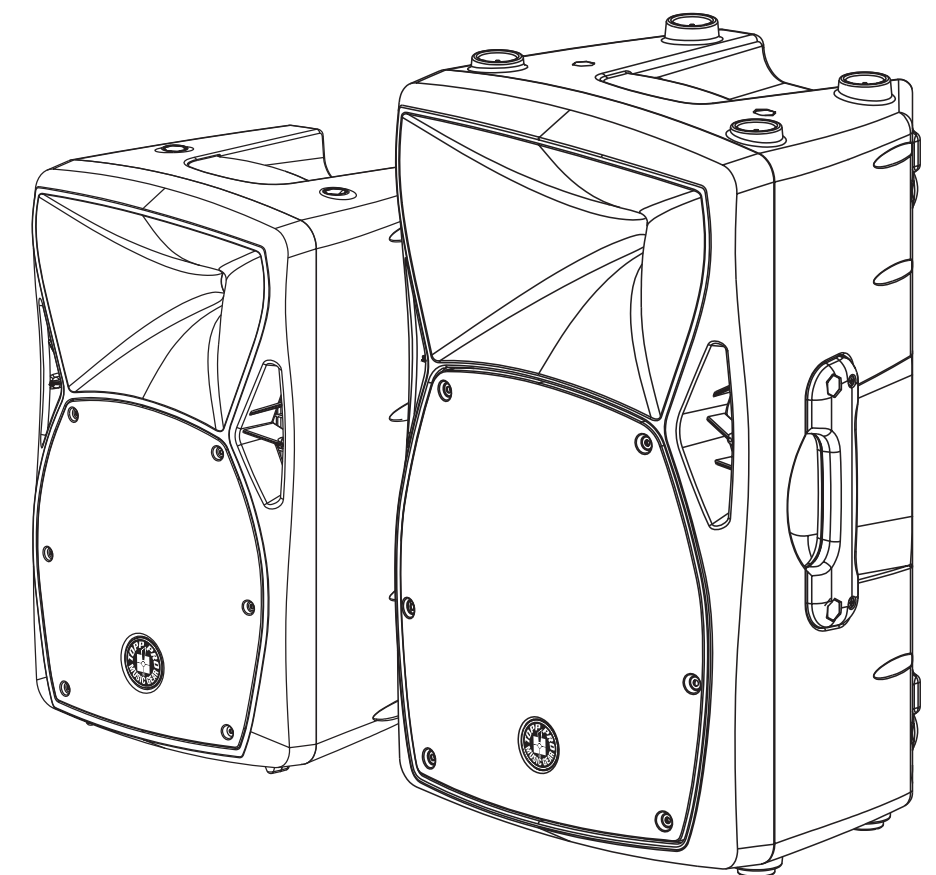
8"

10"

12"

15"

Speaker Cabinet



X SERIES

Topp Pro guarantees the normal operation of the product against any defect of manufacture and / or vice of material, by the term of (12) months, counted as of the date of purchase on the part of the user, committing itself to repair or to change, to its election, without position some, any piece or component that will fail in normal conditions of use within the mentioned period.

This guarantee is valid if the original buyer will have to present/display this certificate properly sealed and signed by the selling house, accompanied by the corresponding invoice of purchase where it consisted the model and serial number of the acquired equipment.

The guarantee does not cover:

- Damages caused by the illegal use of the product, repair and/or non authorized modification conducted by people by **Topp Pro**.
- Damages caused by the connection of the equipment to other equipment different from the specified ones in the manual of use, or by bad connection to these last ones.
- Damages caused by electrical storms, blows and/or incorrect transport.
- Damages caused by excesses or falls of tension in the network or by connection to networks with a tension different from the required one by the unit.
- Damages caused by the presence of sand, acid of batteries, water, or any strange element inside the equipment.
- Deteriorations produced by the course of the time, use and/or normal wear of the unit.
- Alteration or absence of the serial number of factory of the equipment.

The repairs could only be carried out the authorized technical service by **Topp Pro**, that will inform about the term and other details into the repairs to take place according to this guarantee.

Topp Pro, will repair this unit in counted a term non greater to 30 days as of the date of entrance of the unit to the Technical Service. In those cases in that due to the particularity of the spare part, outside necessary their import, the repair time and the viability of the same one will be subject to the effective norms for the import of parts, in which case one will inquire to the user about the term and possibility into repair.

With the object of its correct operation, and of the validity of this one guarantee, this product will have to be installed and to be used according to the instructions that are detailed in the manual associate or the package of the product.

This unit will be able to appear for its repair, next to the invoice of purchase (or any other proof where the date of purchase consists), to its authorized distributor **Topp Pro** or an authorized technical center on watch by **Topp Pro**.

Exclusion of damages:

THE RESPONSABILITY OF TOPP PRO BY ANY DEFECTIVE PRODUCT IS LIMITED THE REPAIR OR THE REPLACEMENT OF HE HIMSELF, TO TOPP OPTION PRO. IF WE CHOSE TO REPLACE THE PRODUCT, THE REPLACEMENT CAN BE A RECONDITIONATED UNIT. TOPP PRO WILL NOT BE RESPONSIBLE BY THE DAMAGES BASED ON THE LOST, INCONVENIENCE, LOSS OF USE, BENEFITS, LOST SAVINGS, BY THE DAMAGE TO OTHER EQUIPMENT OR OTHER ARTICLES IN THE USE SITE, OR BY ANY OTHER DAMAGE IF HE IS FORTUITOUS, CONSEQUENT OR OF ANOTHER TYPE, ALTHOUGH TOPP PRO HAS BEEN NOTICED OF THE POSSIBILITY OF SUCH DAMAGES.

Some states do not allow to the exclusion or the limitation to the fortuitous or consequent damages, so the aforesaid limitation can not be applied to you.

This guarantee gives specific legal rights, you can also have other right that varies of state to state.

- INTRODUCTION** 4
- HOOKUP DIAGRAMS** 5
- QUICK START** 6
- RIGGING** 7
- PANEL DESCRIPTION** 8
- FREQUENCY RESPONSE DIAGRAM** 10
- WIRE CONNECTIONS** 12
- TECHNICAL SPECIFICATIONS** 13
- WARRANTY** 15

* X 12A, X 15A are Active Speakers for professional use , they can be used in following electromagnetic environment: residential, commercial and light industrial, urban outdoors. They are the apparatusNot intended for rack mounting.

* For X 12A, X 15A,the peak inrush current is 0.9A
 *This device complies with part 15 of the FCC Rules. Operation is subject to the following two conditions: (1)this device may not cause harmful interference , and (2)this device must accept any interference received , including interference that may cause undesired operation . Changes or modifications not expressly approved by the party responsible for compliance could void the user's authority to operate the equipment.

NOTE: This equipment has been tested and found to comply with the limits for a Class B digital device, pursuant to Part 15 of the FCC Rules.

These limits are designed to provide reasonable protection against harmful interference in a residential installation. This equipment generates, uses and can radiate radio frequency energy and, if not installed and used in accordance with the instructions, may cause harmful interference to radio communications. However, there is no guarantee that interference will not occur in a particular installation. If this equipment does cause harmful interference to radio or television reception, which can be determined by turning the equipment off and on, the user is encouraged to try to correct the interference by one or more of the following measures:

- Reorient or relocate the receiving antenna.
- Increase the separation between the equipment and receiver.
- Connect the equipment into an outlet on a circuit different from that to which the receiver is connected.
- Consult the dealer or an experienced radio/TV technician for help.

Don't forget to visit our website at www.toppopro.com for more information about this and other **Topp Pro** products.

Introduction

Thank you for choosing **TOPP PRO**. The new **TOPP PRO MUSIC GEAR X Series** cabinets have been designed to provide a cost effective high grade solution while maintaining high quality cabinet construction and optimum components.

The **X Series**, can be used for all types of applications including, but not limited to, churches, conference centers and discos. The woofer and neodymium driver combination provides excellent performance rivaling those cabinets costing much more.

Our Professional Audio Products are designed and tested by a highly qualified engineering team with more than 20 years of experience. Great care is placed in delivering products with excellent performance, specifications and dependable reliability. Also great emphasis is placed in creating and bringing to market products that can fill multiple applications and also offer customers exceptional value.

2 Installation Tips

- Speakers should be placed in a position that allows for unobstructed sound projection. In many instances it is beneficial for speakers to elevate on tripod stands to achieve maximum dispersion and reach. Consider TOPP PRO speaker stand or equivalent to raise speakers.
- Using quality cables ensure best possible sound. Consider using TOPPPRO 16 or 14 gauge cables or equivalent.
- For best results match the speakers to a good amplifier that matches the wattage and impedance of your speakers. Proper amplification power results in good quality audio and longer component life. Check out.
- Avoid pointing microphone directly at an amplified speaker otherwise could cause feedback possible damaging speaker components and your hearing.

Enjoy the sound!

3 Useful data

Please write your serial number here for future reference.

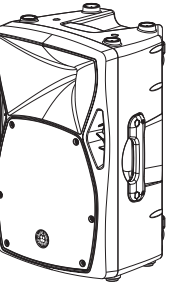
Serial Number:

Date of purchase:

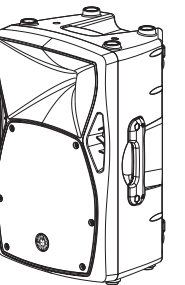
Purchased at:

Technical Specifications

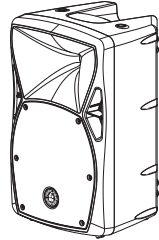
Model Active	X 12A
System Type	2-Way Active Vented Speaker
Transducer Low	12" Woofer, 2" Voice Coil
Transducer High	1" Neodymium Driver, 1" Voice Coil
Horn Coverage H°XV°	90°H x 60°V
Frequency Response	60Hz-20KHz (-6dB)
Crossover Frequency	2100Hz
Max SPL(1M)	118dB Max.
Power system	200W Continuous Bi-Amp Analog Processor(Low: 150W / High:50W), PEAK 800W
Connector	Line/Mic Input with Combo &Link with XLR
External Controls	Volume Control/Line&Mic Switch/Contour on/Power on with Green LED/ Clip Limiter with Red LED/Ground Lift.
Electronic Protections	Thermal/Overload/Analog Limiter/Compressor
Power Supply	110-120V~50/60Hz or 220-240V~50/60Hz Switchable
Enclosure Construction	Plastic Cabinet, Trapezoidal & Monitor Shape, Metal Grille, Rubber feet,3* Handles (Top and both sides)
Mounting	36mm standard pole-mount
Dimensions (HxWxD)	607*380*337mm
Net Weight	13.75kg/30.31 lbs



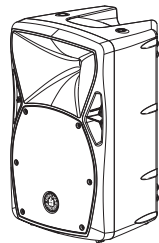
Model Active	X 15A
System Type	2-Way Active Vented Speaker
Transducer Low	15" Woofer, 2" Voice Coil
Transducer High	1" Neodymium Driver, 1" Voice Coil
Horn Coverage H°XV°	90°H x 60°V
Frequency Response	55Hz-20KHz(-6dB)
Crossover Frequency	2100Hz
Max SPL(1M)	119dB Max.
Power system	200W Continuous,Bi-Amp Analog Processor(Low: 150W / High:50W), PEAK 800W
Connector	Line/Mic Input With Combo &Link With XLR
Enclosure Controls	Volume Control/Line&Mic Switch/Contour on/Power on with Green LED/ Clip Limiter with Red LED/Ground Lift.
Electronic Protections	Thermal/Overload/Analog Limiter/Compressor
Power Supply	110-120V~50/60Hz or 220-240V~50/60Hz Switchable
Enclosure Construction	Plastic Cabinet, Trapezoidal & Monitor Shape, Metal Grille, Rubber feet,3* Handles (Top and both sides)
Mounting	36mm standard pole-mount
Dimensions (HxWxD)	625*386*366mm
Net Weight	14.86kg/32.80 lbs



Technical Specifications



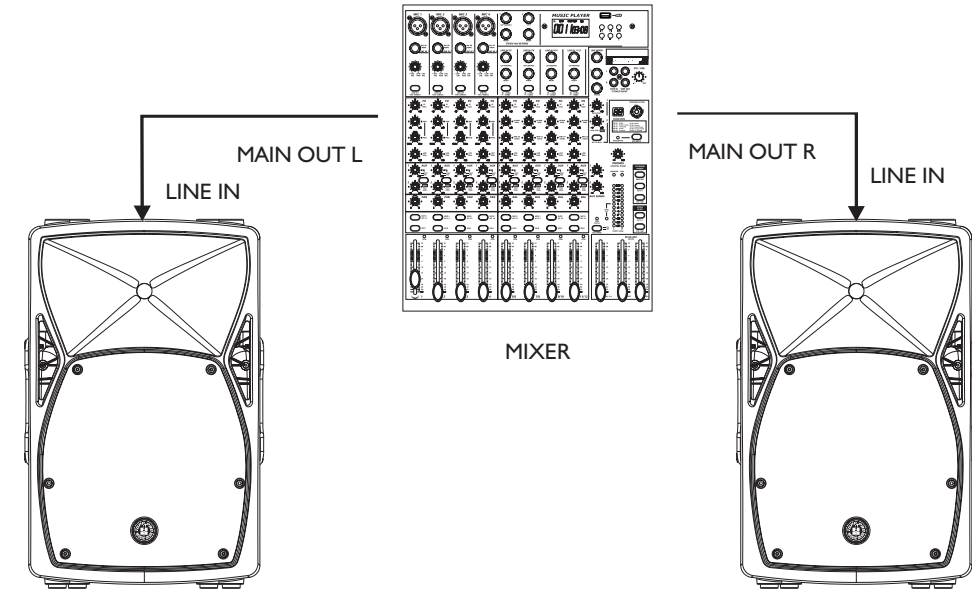
Model Active	X 8A
System Type	2-Way Active Vented Speaker
Transducer Low	8" Woofer, 1.5"voice coil
Transducer Driver	1" Ferrite Twitter, 1" Voice Coil
Horn Coverage H°XV°	90°H x 60°V
Frequency Response	68Hz-20KHz (-6dB)
Crossover Frequency	2000Hz
Max SPL(1M)	113dB Max.
Power system	Class D SMPS (Bi-AMP , LF 90W/RMS + HF 30W/RMS), 480W Peak
Connector	Line In&Link With XLR
External Controls	Volume Control/Power ON with Green LED//Clip Limiter with Red LED
Electronic Protections	Thermal/Overload/Analog limiter/Compressor
Power Supply	100V-240V ~50/60Hz
Enclosure Construction	Plastic cabinet,Trapezoidal & Monitor shape,Metal grille, 1*Handle-On Top
Mounting	36mm standard pole-mount
Dimensions (HxWxD)	420*270*240 mm
Net Weight	5.53 kg/12.2lbs



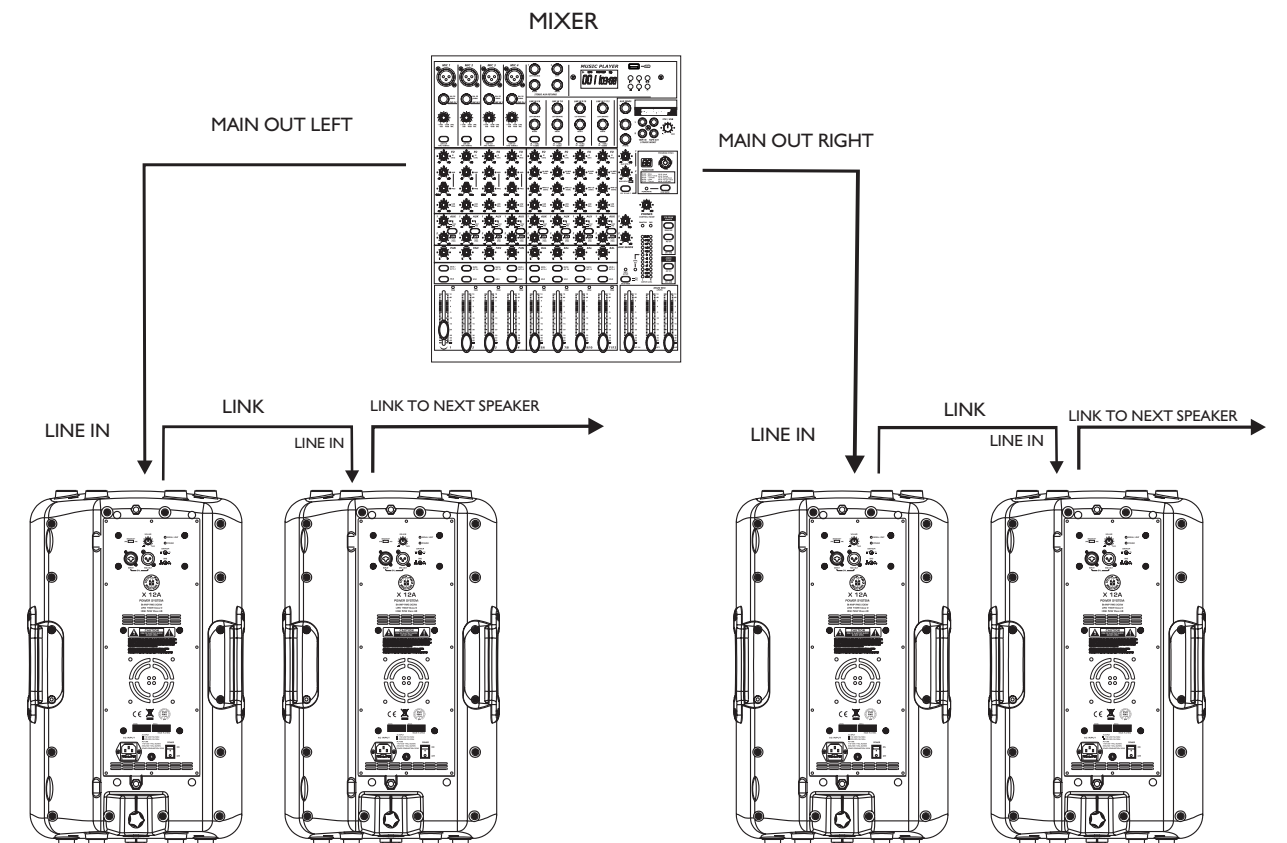
Model Active	X 10A
System Type	2-Way Active Vented Speaker
Transducer Low	10" Woofer, 1.5"voice coil
Transducer Driver	1" Ferrite Twitter, 1" Voice Coil
Horn Coverage H°XV°	90°H x 60°V
Frequency Response	65Hz-20KHz (-6dB)
Crossover Frequency	1900Hz
Max SPL(1M)	116dB Max.
Power system	Class D SMPS (Bi-AMP , LF 90W/RMS + HF 30W/RMS), 480W Peak
Connector	Line In&Link With XLR
External Controls	Volume Control/Power ON with Green LED//Clip Limiter with Red LED
Electronic Protections	Thermal/Overload/Analog limiter/Compressor
Power Supply	100V-240V ~50/60Hz
Enclosure Construction	Plastic cabinet,Trapezoidal & Monitor shape,Metal grille, 1*Handle-On Top
Mounting	36mm standard pole-mount
Dimensions (HxWxD)	460*285*265mm
Net Weight	6.92 (kg)/15.26lbs

Hookup Diagrams

Two speaker in stereo operation



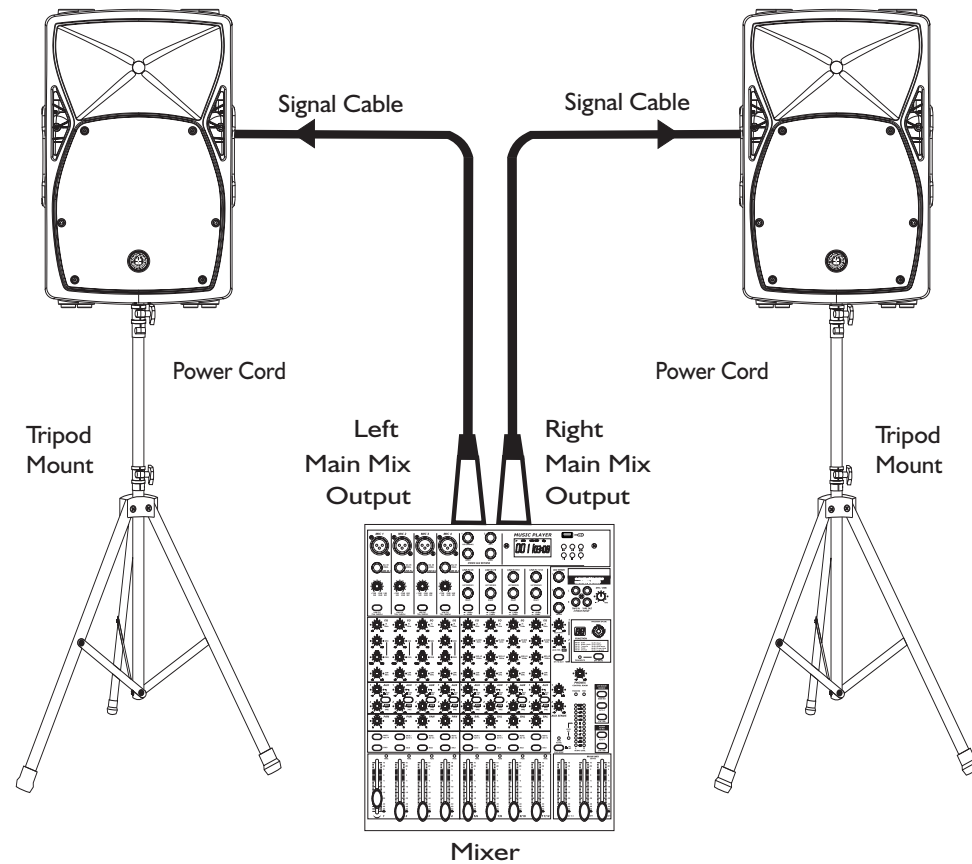
Multiple speakers with the same stereo source



Quick Start

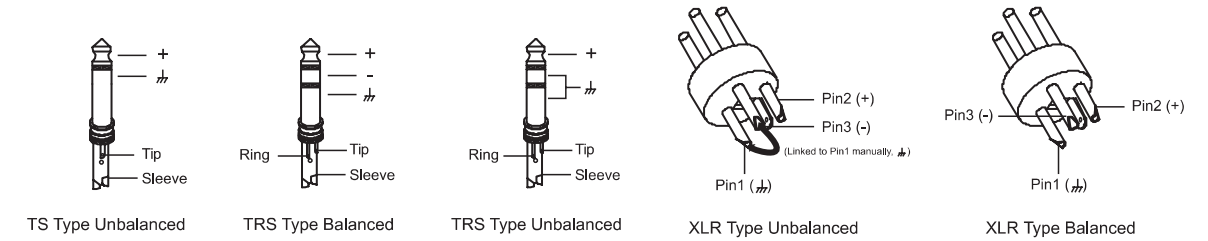
Make all initial connections with all the equipments powered off, and ensure that all the main volume controls are turned completely down.

- 1). Connect one side of the signal cable at your audio mixer into output left / right (with Stereo- Jack or XLR) and the other side of the cable into the line input Stereo-Jack) of your active speaker cabinet.
- 2). Connect the power cord to mains.
- 3). Turn on your mixer first, then the active speaker cabinets.
- 4). Turn up the volume control of the active speaker cabinets.
- 5). Use PFL function to get the proper input level for the mixer, and adjust the main mix level control to manipulate the output level.
- 6). After using, turn off your active speaker cabinets first, then the mixer.



Wire Connections

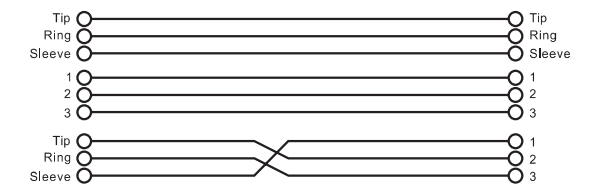
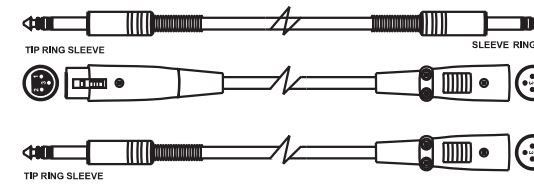
Both connectors, 1/4" XLR or TRS, can be wired in balanced or unbalanced way, depending on the work necessity. The following ones are examples of how these connectors can be wired:



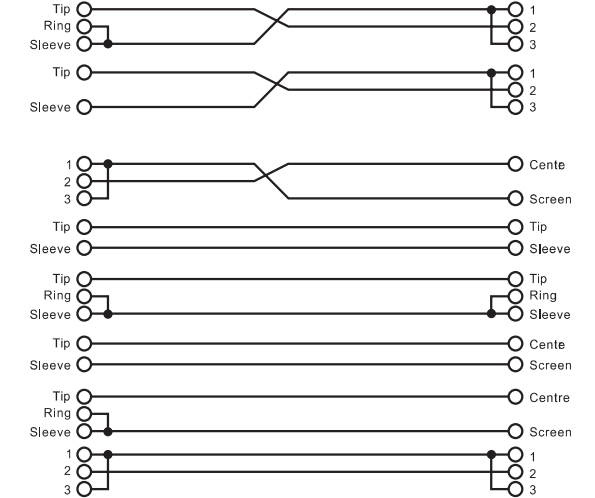
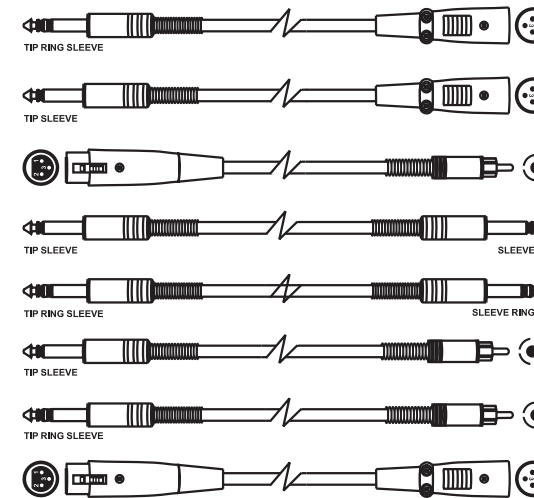
For Active Speaker Cabinets

As to these circumstances, audio connections is mostly intended for the signal flow, so, determine the wire configuration according to your real application system and its connecting facility. Normally, you have the following choices:

• Balanced

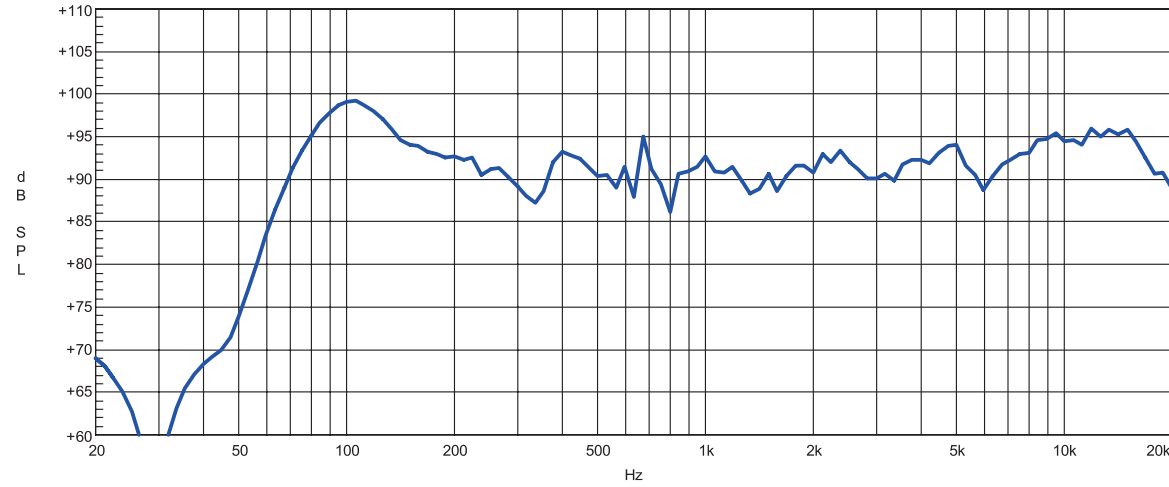


• Unbalanced

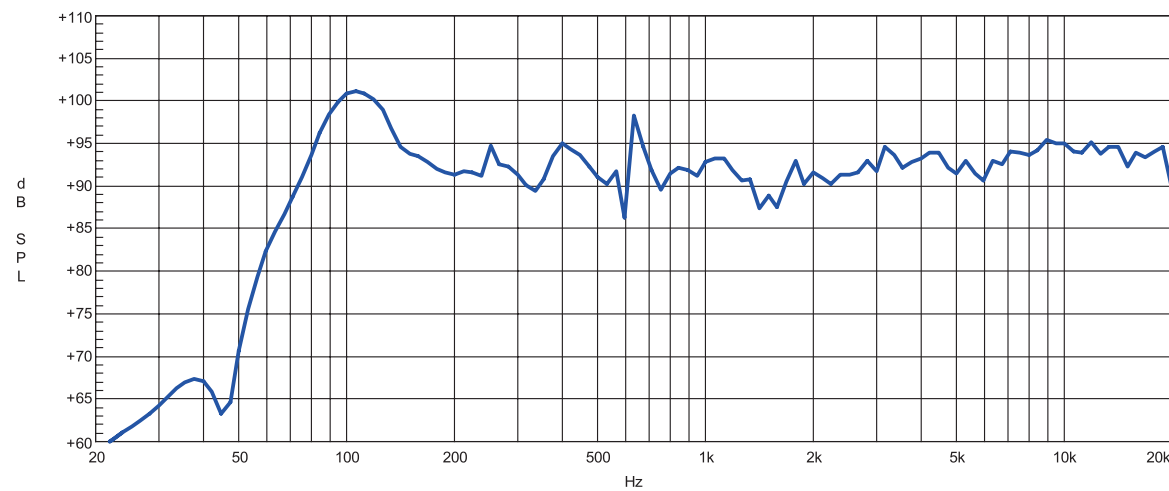


Frequency Response Diagram

X 12A



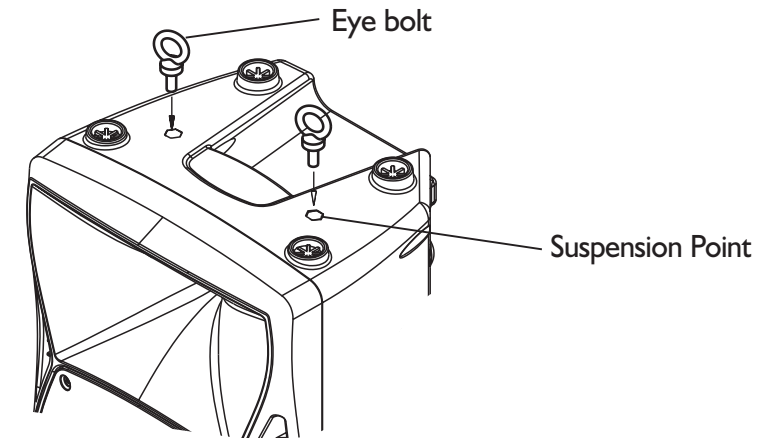
X 15A



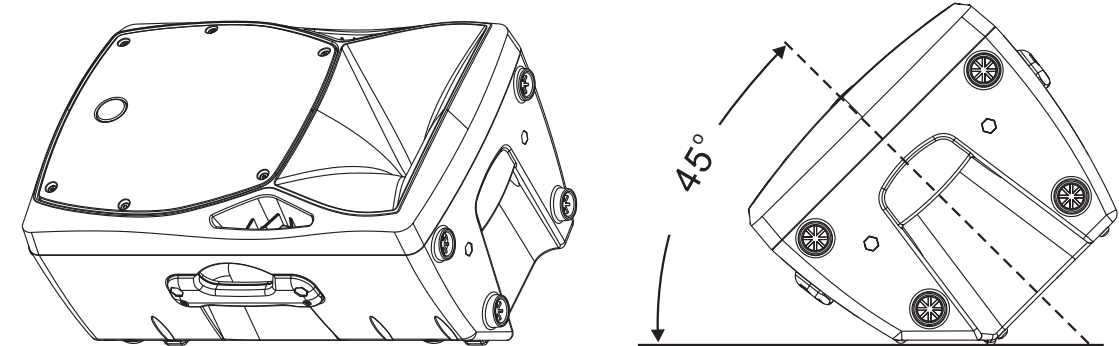
Rigging

The X series speaker cabinet also provides the suspension points for installation. (M10x1.5PH LENGTH: 30mm).

For further details, please refer to the right illustration(OPTIONAL FUNCTIONAL)



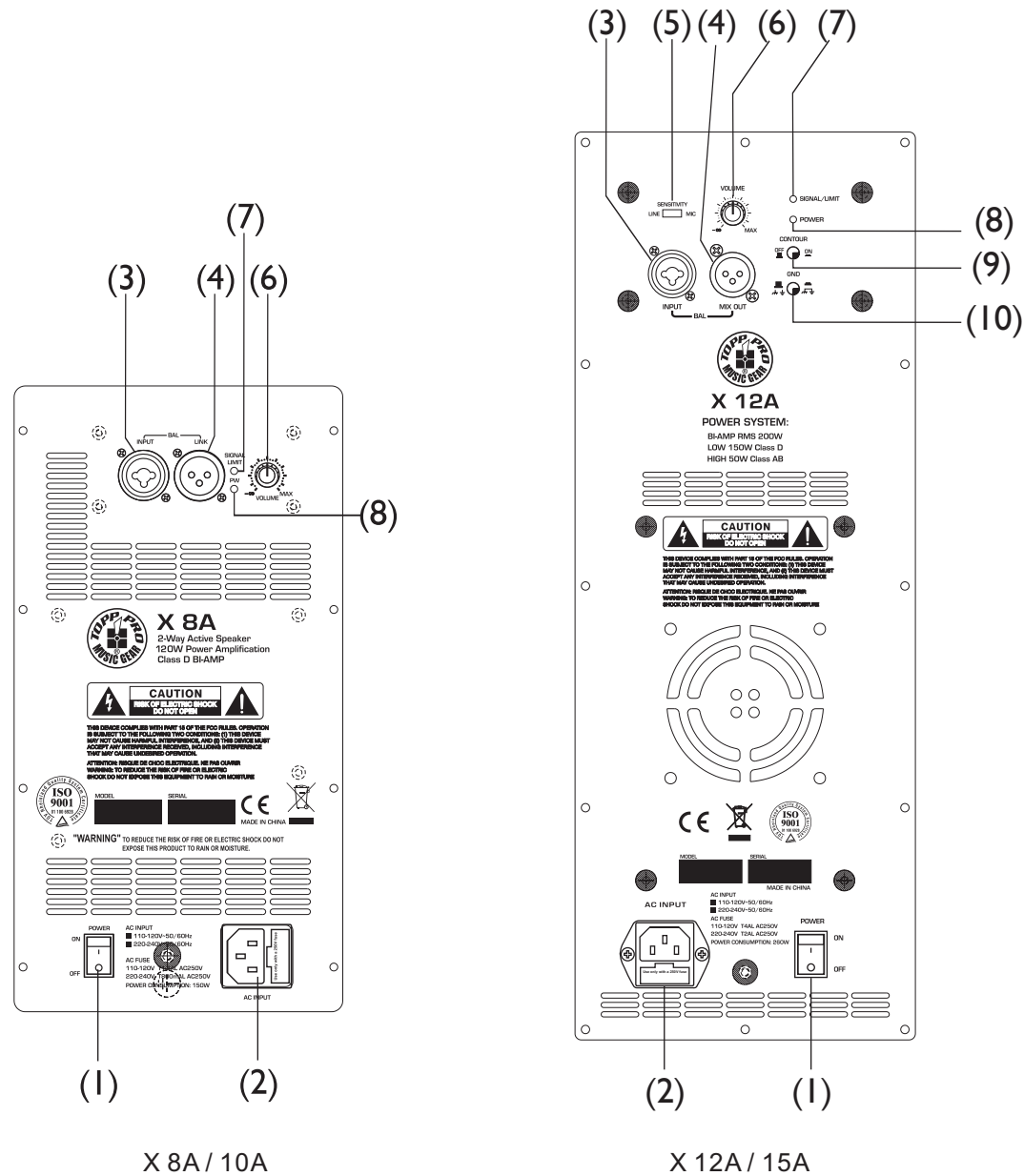
The floor use is as a function of a monitor when the angle is 45°



Panel Description

AMP INTERFACE

- (1) BI-POLAR MAIN POWER SWITCH
 - (2) AC POWER SOCKET WITH MAIN FUSE
 - (3) LINE/MIC INPUT ON COMBO CONNECTOR (X 8A /10A ONLY LNE IN)
 - (4) MIX OUT ON XLR CONNECTOR (X 8A /10A ONLY LINK)
 - (5) "INPUT SENSITIVITY" SWITCH FOR LINE & MIC
 - (6) MAIN VOLUME CONTROL
 - (7) CLIP INDICATOR RED LED
 - (8) POWER INDICATOR GREEN LED
 - (9) CONTOUR ON/OFF
 - (10) GROUND SWITCH
- CONTOUR ON preset is to equalize the mix for optimal music play back



Frequency Response Diagram

