

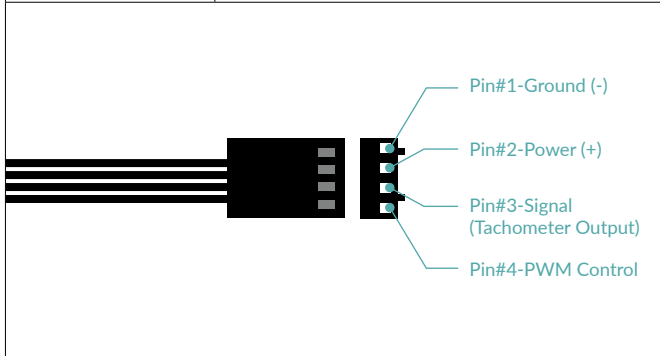
Liquid Freezer II 280

Multi Compatible All-in-One CPU Water Cooler



General Specifications

Compatibility	Intel® 1700, 1200, 115X, 2011-3*, 2066* *Square ILM AMD® AM5, AM4, AM3(+)
TIM	MX-4 (0.8 g)
Pump & Fan Connector	4-Pin Connector
Weight	1572 g (2 Fans, Radiator, Pump, Tubes)



Pump/Cold Plate Specifications

VRM Fan	40 mm, 1000–3000 rpm (Controlled by PWM)
Pump	800–2000 rpm (Controlled by PWM)
Power Consumption	0.5 W–2.7 W Pump and VRM Fan
Tube Length	450 mm
Tube Diameter	Outer: 12.4 mm Inner: 6.0 mm
Dimensions	78 (L) x 53 (W) x 98 (H) mm

Fan Specifications

Speed	200–1700 rpm
Airflow	72.8 cfm 123.76 m ³ /h
Static Pressure	2.4 mmH ₂ O
Noise Level	0.3 Sone
Fan Dimensions	140 (L) x 140 (W) x 27 (H) mm
Speed Control	Pulse Width Modulation
Bearing	Fluid Dynamic Bearing
Strom/Spannung	0.12 A/12 V

Radiator Specifications

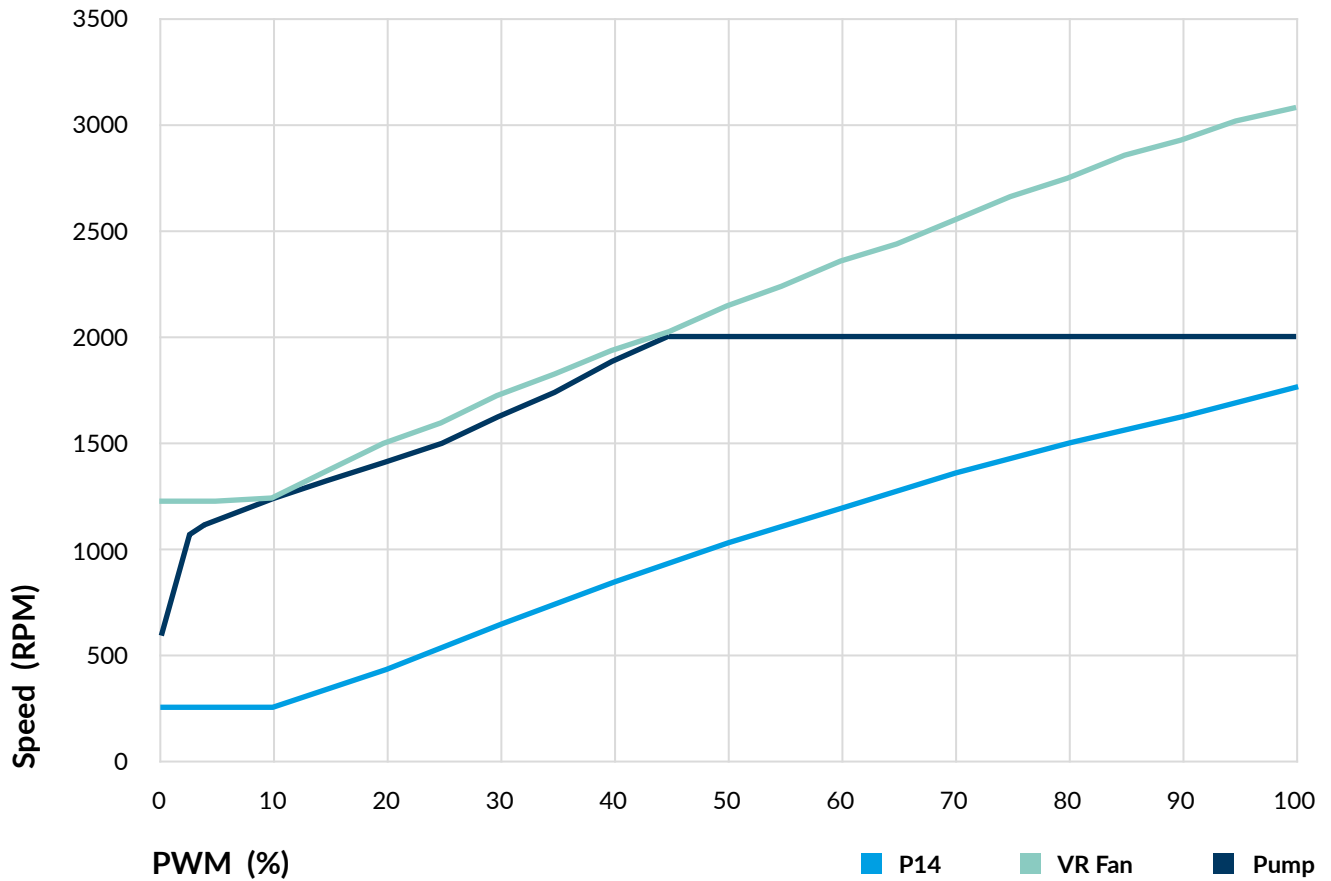
Material	Aluminum
Dimensions	317 (L) x 38 (W) x 138 (H) mm

Shipping Information

Warranty	6 years
Box Dimension	473 mm (L) x 155 mm (W) x 170 mm (H)
Gross Weight	2728 g
SKU	ACFRE00066B
EAN	4895213702812
UPC	840033400619

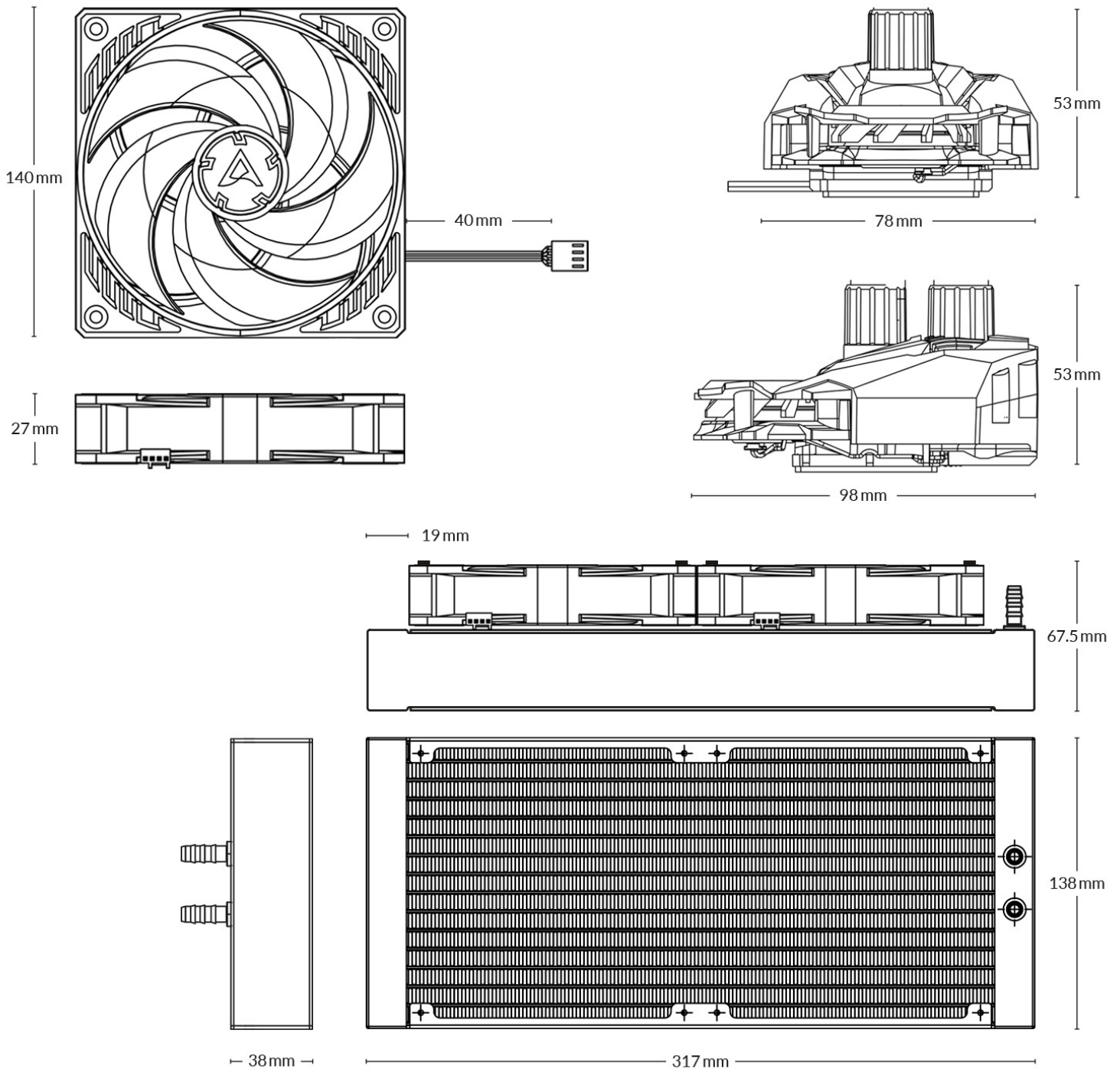
Liquid Freezer II 280

Multi Compatible All-in-One CPU Water Cooler



Liquid Freezer II 280

Multi Compatible All-in-One CPU Water Cooler



Alle Materialien sind mit den RoHS-Anforderungen kompatibel



Produktinformation



Manual