

# SENCOR®

## SPR 3900SS



## EN ■ Pressure cooker

*Translation of the original manual*

### READ CAREFULLY AND STORE FOR FUTURE USE.

#### GENERAL WARNINGS

- This appliance may be used by children 8 years of age and older and by persons with physical or mental impairments or by inexperienced persons, if they are properly supervised or have been informed about how to use the product in a safe manner and understand the potential dangers.
- Children must not play with the appliance. Cleaning and maintenance performed by the user must not be performed by unsupervised children.
- In the event that the power cord is damaged, have it repaired at a professional service centre to prevent causing a dangerous situation. It is forbidden to use the appliance if it has a damaged power cord.
- This appliance may not be used by children. Keep the appliance and its power cord away from children. Children must not play with the appliance.
- This appliance is intended for home use exclusively. It is forbidden to use it in store kitchenettes, offices, in agriculture, in hotels or motels, or in bed and breakfast establishments.
- To prevent the risk of injury by electrical shock, never submerge the pressure cooker unit, the power cord or the power plug in water or any other liquid.
- Always open the lid according to the instructions in chapter CORRECTLY HANDLING THE LID.
- Never open the pressure cooker by force. Never open the pressure cooker until you have ascertained that its internal pressure has fallen completely. See "User's manual".
- Make sure that no water or any other liquid splashes on the power plug or the power socket, and that the hot steam emitted from the appliance is also kept away. If this, nevertheless, occurs, disengage the circuit breaker of the power socket and then carefully dry the power socket and the power plug before further use.
- Only clean surfaces that are intended for coming into contact with food according to the instructions in this user's manual.



#### **Warning:**

Incorrect use may lead to injuries.

- The temperature of accessible surfaces on the pressure cooker is high when the pressure cooker is in operation and for a certain time afterwards. Likewise, also the surface of the heating element retains residual heat after use.
- This pressure cooker must be used only in accordance with the instructions contained in this user's manual. Please read and follow these instructions.

- Do not use pressure cookers for any other purposes than those for which they have been designed.
- Do not tamper with any of the pressure cooker's safety systems beyond the instructions specified in this user's manual.
- The pressure cooker must not be left without supervision while in operation. In particular, do not leave children in the vicinity of the pressure cooker while it is in operation.
- Do not place the pressure cooker into a hot oven.
- Do not overfill the removable inner pot above the maximum ingredients mark. When cooking foods that expand during the cooking process such as rice or dehydrated vegetables, do not fill the inner pot past half its volume.
- Never use the pressure cooker for frying food under pressure. Never use a pressure cooker without water. This could seriously damage it.
- After every use, check that the pressure release valve and the safety float valve are not clogged or dirty.
- Do not use the pressure cooker with an empty removable inner pot. This could seriously damage it.
- Only use spare parts from the manufacturer for the corresponding model. Always use the inner pot and lid from the same manufacturer, which is designated as compatible.
- This cooker cooks under pressure. The incorrect use of this pressure cooker may cause scalding. Check that the pressure cooker is properly closed before heating. See chapter CORRECTLY HANDLING THE LID.
- When the pressure cooker is under pressure, handle it extremely carefully.
- When cooking pasta, gently shake the pressure cooker before opening it to prevent ejecting food out of it.
- After cooking meat with skin, e.g. beef tongue, which may increase in volume, do not puncture the meat if the skin is swollen as this could result in scalding.
- Do not touch the hot surfaces of the pressure cooker. After turning it off and disconnecting the pressure cooker from the power socket, use the two side handles to carry the appliance. For reasons of increased safety, we recommend using kitchen gloves.

#### **ELECTRICAL SAFETY**

- Before connecting this appliance to a power socket, make sure that the voltage stated on its rating label corresponds to the voltage in your power socket.
- Connect the appliance only to a properly grounded socket. Do not use an extension cord.
- Never connect the appliance to a power socket until it is properly assembled.
- Fully unwind the power cord before using it.
- Do not connect and disconnect the power cord to and from the power socket with wet hands.
- Ensure that the power plug contacts do not come into contact with water or moisture.
- Do not disconnect the appliance from the power socket by pulling on the power cord. This could damage the power cord or the power socket. Disconnect the cord from the power socket by gently pulling on the plug of the power cord.
- Do not place heavy items on the power cord. Make sure the power cord does not hang over the edge of a table or that it is not touching a hot surface or sharp objects.
- To avoid the danger of injury by electrical shock, do not repair the appliance yourself or make any adjustments to it. Have all repairs or adjustments of the appliance performed at an authorised service centre. Tampering with the appliance during the warranty period may void the warranty.
- Always turn off the appliance and disconnect it from the power socket when you have finished using it.

## SAFETY DURING USE

- This pressure cooker is intended for cooking meals such as soups, rice, stewed meals, goulash and all other meals that can be cooked in standard pressure cookers or in stew pots. Do not use it for purposes other than those for which it was designed.
- This pressure cooker is designed for use in indoor areas only. Never use it in an outdoor or industrial environment.
- Only use the pressure cooker on an even, dry, clean, stable and heat-resistant surface. Do not use the pressure cooker on the drainboard of a kitchen sink.
- Do not place the pressure cooker on the edge of a table, on unstable, inclining or uneven surfaces, on an electric or gas stove and other sources of heat, or in their vicinity.
- When cooking, do not place the pressure cooker directly on surfaces that are sensitive to heat, for example stone countertops. This type of countertop is sensitive to uneven heat, and when heated in a single point it may crack. In the event that you wish to use this pressure cooker on a heat sensitive countertop, place a cutting board or a similar heat resistant material underneath it.
- Never carry the pressure cooker by the lid handle, always carry it using the two side handles on the pressure cooker unit.
- Only use the removable inner pot that is supplied with this pressure cooker. Never use any other pot.
- Do not use a cracked, dented or otherwise damaged removable inner pot. A damaged inner pot must be replaced with new pot of the original type.
- Before inserting the removable inner pot into the built-in outer pot, check that the outer surface and the inside of the built-in outer pot is completely clean and dry. To prevent damaging the built-in outer pot, there must be no dried on food remains, etc. on the outer surface of the pot and the surface of the heating element.
- Do not use the pressure cooker when it is not functioning correctly or after it has fallen on the floor, been submerged in water or is damaged in any other way. Hand it over to an authorised service centre for inspection or repair.
- Before connecting the pressure cooker to a power socket, make sure that the removable inner pot is properly seated in the built-in outer pot and that it is filled with water and ingredients and that the lid is correctly positioned in place.
- Do not connect the pressure cooker to a power socket or turn it on without the removable inner pot located inside the built-in outer pot.



### Warning:

Do not pour water or place any food into the built-in outer pot. Food and water are to be put only into the removable inner pot.

- Only use the pressure cooker with the original accessories that came with it.

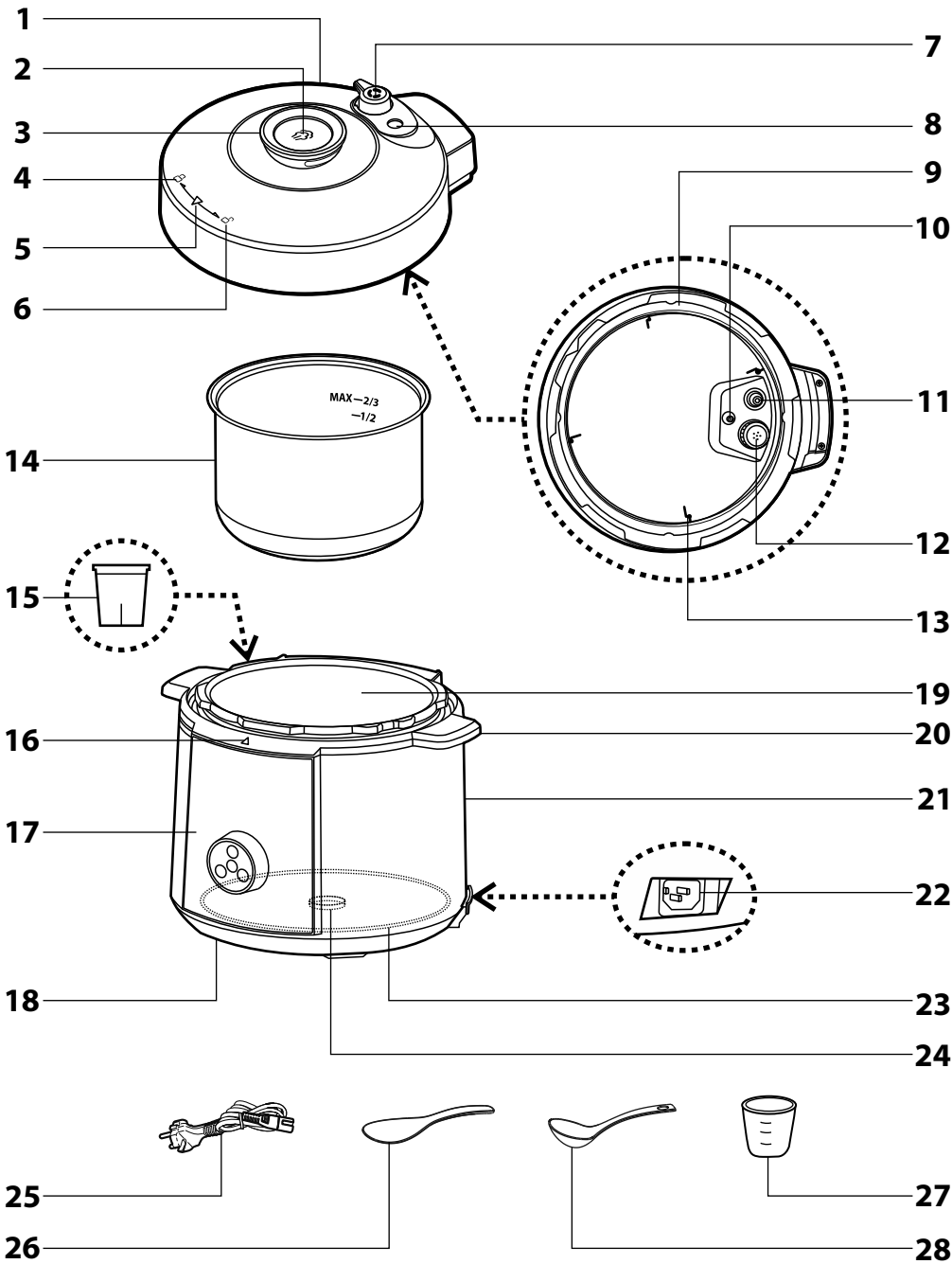


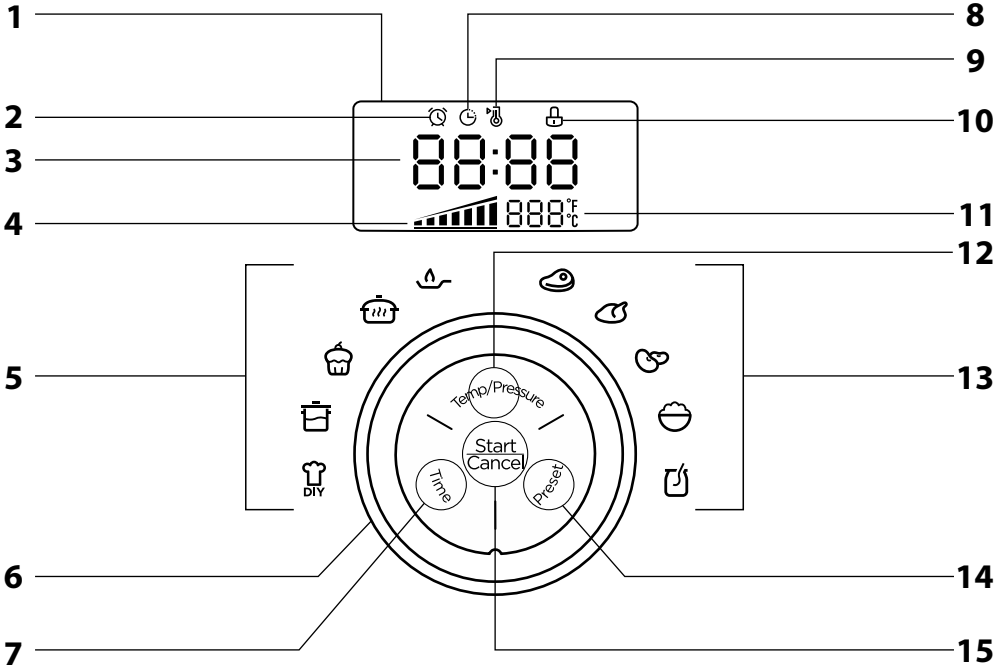
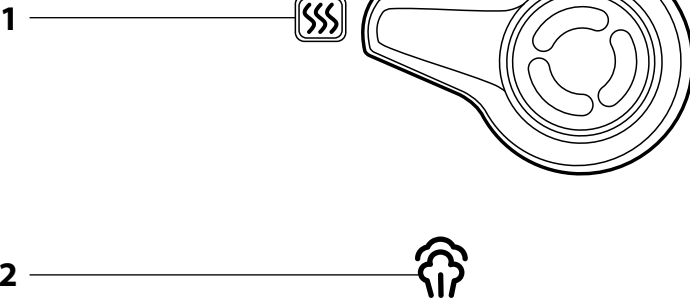
### Attention:

Using non-original accessories may result in a dangerous situation arising.

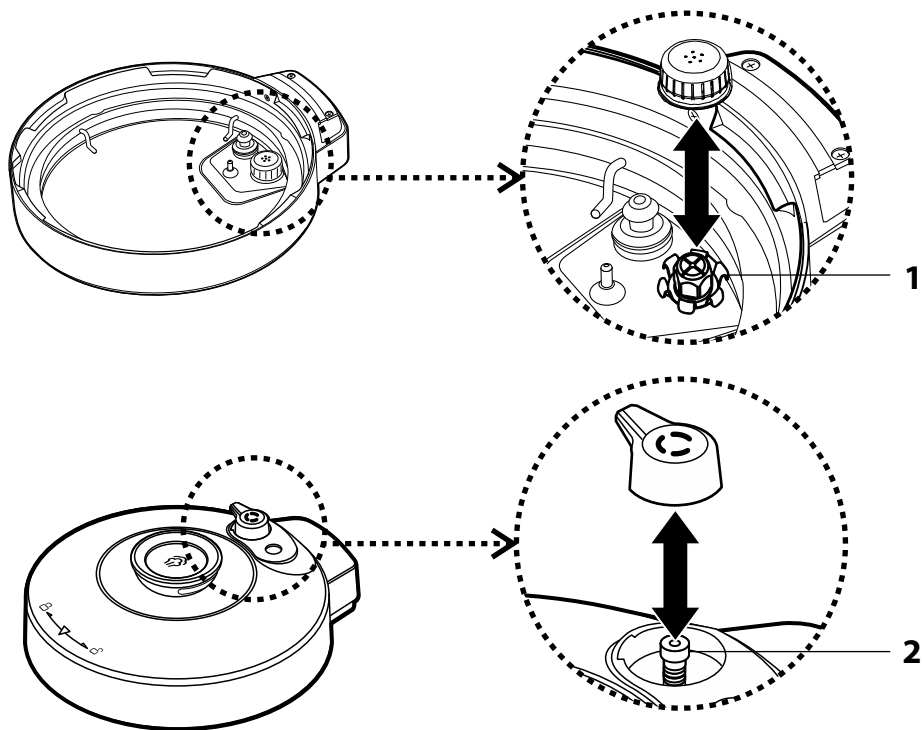
- When operating the pressure cooker, the lid must be tilted down and properly closed. Do not place any items on to the lid.
- During operation, there needs to be sufficient area for air circulation above the pressure cooker and around it.
- Do not use the pressure cooker in the vicinity of heat sensitive materials. Do not cover the pressure cooker or block its vents.
- Ensure that the current of steam escaping through the pressure control valve and the safety float valve are not directed at heat sensitive materials or at you or other people. Hot steam may cause serious scalding.
- When using the keep warm function, do not leave any spoons or ladles or any other kitchen utensils inside the removable inner pot.
- When handling the pressure cooker after finishing cooking, it is necessary to be very careful not to touch the outer case of the pressure cooker or any other parts of the pressure cooker because they may still be hot as a result of residual heat.
- Do not touch the hot surfaces of the pressure cooker. After turning off and disconnecting the pressure cooker from the power socket, use the side handles to carry the appliance. For reasons of increased safety, we recommend using kitchen gloves.
- Use kitchen gloves when removing the inner pot after you have finished cooking.
- Water from the lid may only drip into the removable inner pot, it must not drip into the built-in outer pot.
- Do not place the hot lid on heat sensitive surfaces.
- Always turn off and disconnect the pressure cooker from the mains power socket when not using it, when leaving it without supervision, before removing the inner pot, steamer insert or metal insert, before cleaning, before performing maintenance or moving it. Never move the pressure cooker during operation.
- It is necessary to pay exceptional care when moving the pressure cooker filled with hot food or liquids.
- Always allow the pressure cooker to fully cool down before removing the inner pot and before cleaning.
- Regularly clean the pressure cooker after each use according to the instructions in chapter Maintenance and cleaning. Do not perform any maintenance on the pressure cooker apart from the maintenance procedure described in chapter Maintenance and cleaning.
- To prevent scratching the non-stick surface inside the removable inner pot when cleaning it, always use wooden, silicone or plastic utensils.
- Apart from the removable inner pot, no part of this pressure cooker is intended for washing in a dishwasher.

**A**

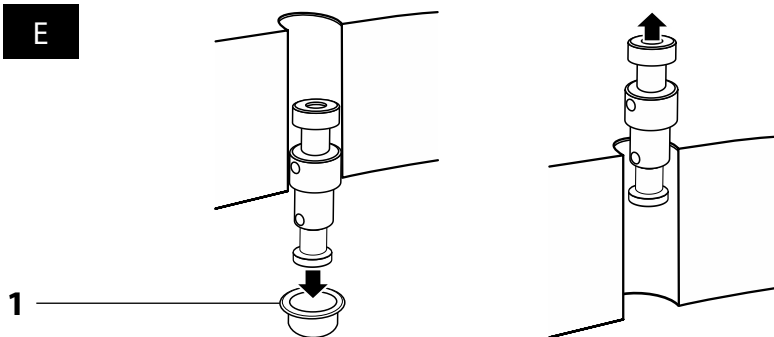


**B****C**

D



E



- Prior to using this appliance, please read the user's manual thoroughly, even in cases, when one has already familiarised themselves with previous use of similar types of appliances. Only use the appliance in the manner described in this user's manual. Keep this user's manual in a safe place where it can be easily retrieved for future use. In the event that you hand this appliance over to somebody else, make sure to also include this user's manual.
- Carefully unpack the appliance and take care not to throw away any part of the packaging before you find all its parts. We recommend saving the original cardboard box, packaging material, purchase receipt and responsibility statement of the vendor or warranty card for at least the duration of the legal liability for unsatisfactory performance or quality. In the event of transportation, we recommend that you pack the appliance in the original box from the manufacturer.

## DESCRIPTION OF THE PRESSURE COOKER

- A1** Lid
- A2** Manual steam release button
- A3** Lid holder
- A4** Locked lid symbol
- A5** Lid aligned with pressure cooker symbol
- A6** Unlocked lid symbol
- A7** Steam release valve
- A8** Safety float valve hole
- A9** Lid gasket
- A10** Temperature sensor
- A11** Safety float valve  
When the temperature and pressure inside the pressure cooker reaches a certain level, the steam will push the valve into a hole in the lid. This activates a mechanism that locks the lid in place and prevents it from being opened.
- A12** Pressure valve cover  
Protects the valve against being soiled by food.
- A13** Gasket holder
- A14** Removable inner pot
- A15** Water condensate tank
- A16** Pressure cooker aligned with lid symbol
- A17** Control panel with display
- A18** Base unit with legs
- A19** Built-in outer pot
- A20** Handle
- A21** Pressure cooker unit
- A22** Pressure cooker socket
- A23** Hotplate (inside the built-in outer pot)
- A24** Temperature sensor (inside the built-in outer pot)  
It monitors the internal temperature and based on it automatically regulates heating intensity.
- A25** Power cord
- A26** Spoon
- A27** Measuring cup
- A28** Ladle

- B1** Display
- B2** Delayed cooking indicator
- B3** Time indicator
- B4** Pressure indicator
- B5** Cooking programs menu, left part
- B6** Program selection / parameter settings knob
- B7** Time  
Enables the desired cooking time to be set.
- B8** Manual cooking time countdown indicator
- B9** Temperature indicator
- B10** Locked lid indicator
- B11** Temperature indicator
- B12** Temp/Pressure  
Enables the required cooking temperature or cooking pressure to be set.
- B13** Cooking programs menu, right part
- B14** Preset  
Serves to activate the delayed cooking function.
- B15** Start/Cancel  
Serves to start the cooking process / cancels the last performed action

- C1** Valve position for cooking  
In this position, the pressure cooker releases steam as required
- C2** Valve position for releasing steam  
In this position, steam is continuously released

- D1** Pressure valve, inner part
- D2** Pressure valve, outer part

- E1** Float valve sealing cover

## PURPOSE OF USE

- The electric pressure cooker is intended for cooking meals at high pressure, which enables the cooking time to be reduced by more than half, whilst retaining flavours and aromas of the cooked meal.
- The pressure cooker can be used for cooking meals such as soups, rice, stewed meals, goulash and all other meals that can be cooked in standard pressure cookers or in stew pots. Furthermore, it enables the cooking of legumes (beans, chickpeas, etc.) without pre-soaking and it is also suitable for cooking healthier meals.
- The pressure cooker can be used either in automatic mode by selecting one of the preset programs without having to perform any other settings or in manual mode where the cooking parameters can be set based on your needs and experience.
- A further function of the pressure cooker is delayed cooking; an automatic function for keeping a meal warm after it has finished cooking; or cooking without the lid.



### Attention:

This appliance is not intended to be operated using an external timer switch or a remote control system.



## BEFORE FIRST USE


- Open the lid **A1** as described in chapter OPENING THE LID OF A COLD PRESSURE COOKER. Take out the inner pot **A14** and, together with accessories **A26** to **A28**, thoroughly wash it in warm water using neutral kitchen detergent. Then rinse all these parts with clean water and dry them thoroughly with a fine wiping cloth. The inner pot and accessories can also be washed in a dishwasher.
- Wipe the inside of the built-in outer pot **A19** with a lightly dampened, soft wiping cloth and then wipe dry using a dry, clean wiping cloth.

## CORRECTLY HANDLING THE LID

### OPENING THE LID OF A COLD PRESSURE COOKER

- Grasp the lid **A1** by the handle **A3** and turn it anticlockwise all the way to release it. If the pressure cooker is connected to the mains power supply, the display will show "OPEN".
- Lift the lid upwards and put it aside in a suitable location. If the pressure cooker is connected to the mains power supply, the display will show four dashes.

### OPENING THE LID DURING AND AFTER COOKING

- When cooking and after finishing cooking, it is only possible to open the lid once the steam is released from inside the pressure cooker. When it is not possible to turn the lid, it means that there is still steam inside the pressure cooker, the temperature of which still presents a danger to you. If this happens, either hold down button **A2** or turn the steam release valve to position . Steam will flow out continuously from the valve. As soon as it stops flowing out, the lid can be open.



#### Warning:

When releasing steam, keep away from the escaping steam to avoid being scalded. Never place your hands, arms or face in the vicinity of the valve **A7** when it is releasing steam.



#### Attention:

When cooking food such as porridge or edible seaweed, never release the steam by pressing button **A2**, but rather allow the pressure cooker to automatically release the pressure itself.

- When all the steam has been released, first visually check the position of the safety float valve **A11**, see chapter FUNCTION OF THE SAFETY FLOAT VALVE. If the valve is extended out closer to the lid, then there is still pressure inside the pressure cooker. Wait until the valve retracts on its own deeper into the hole and only thereafter open and remove the lid.



#### Warning:

When the valve **A11** is extended out closer to the lid, never handle the pressure cooker or move it around, rather always wait until the valve retracts on its own. Never open the lid using excessive force!

## CLOSING THE LID

- Prior to putting on the lid **A1**, always first check:
  - that the gasket **A8** is correctly seated in its place in the holder **A13** on the underside of the lid.
  - that the cover **A12** of the pressure valve is in its place and is clean. If the cover is soiled, clean it before continuing.
- Grasp the lid by the handle **A3**, put it down horizontally on the top side of the pressure cooker unit while at the same time turning it clockwise all the way so that the points of the alignment symbols **A5** and **A16** are facing each other. A properly secured lid is indicated by an audible click sound. If the pressure cooker is connected to the mains power supply, the display will show four dashes.



#### Attention:

Never close the lid using excessive force!

## FUNCTION OF THE SAFETY FLOAT VALVE

- When the temperature and pressure inside the pressure cooker reaches a certain level during the cooking process, the steam will push the safety float valve **A11** out the hole in the lid **A8**. This activates a mechanism that locks the lid in place and prevents it from being opened. Thereby, the valve serves as a safety mechanism that prevents the lid from being opened during the cooking process as well as a visual indication that there is pressure inside the closed pressure cooker.
- Before opening and removing the lid, always first visually check the position of the valve **A11**. If the valve is extended out closer to the lid, then there is still pressure inside the pressure cooker. Wait until the valve retracts on its own deeper into the hole and only thereafter open and remove the lid.



#### Note:

In the event that the safety float valve **A11** does not retract into the hole in the lid even after a very long time. (e.g. an hour or more) from the time that the pressure cooker is turned off and steam has been released and the outer casing is already cold, then it is possible that the valve may have jammed, e.g. by the effect of jammed food or due to the valve sticking to the lid with food. If this occurs, then carefully remove the lid in the same way as with a cold pressure cooker. When opening the lid, as a precaution, stand in such a way that no part of your body may be scalded.

## OTHER SAFETY ELEMENTS OF THE PRESSURE COOKER

- As soon as the pressure inside exceeds a certain value, the pressure cooker will automatically release steam through the valve. At the same time, the valve is protected against being soiled by food by means of the cover.
- If the pressure inside the pressure cooker is high and is unsafe for the user, it will not be possible to open the lid.

- If the lid is not properly closed, the pressure cooker will not permit the cooking process to start.
- If the removable inner pot is not inserted, it will not be possible to start the cooking process.
- The temperature sensor **A24** monitors the temperature inside the pressure cooker and automatically adjusts the temperature of the cooking process. If for any reason the temperature inside the pressure cooker were to exceed a certain limit, the pressure cooker will automatically disconnect the power supply and will not permit cooking to continue.
- In the event of overvoltage from the mains power supply, a fuse will disengage the circuit and thereby protect the electrical system of the pressure cooker against damage.

### PREPARING FOR COOKING

- Place the pressure cooker on an even, rigid surface. Do not place the pressure cooker on metal underlays.
- Open the lid as described in chapter CORRECT HANDLING OF THE LID.
- Make sure that the inside of the built-in outer pot **A19** including the hotplate **A23** is clean and free of any food remains.
- Place the removable pot **A14** into the built-in outer pot and gently turn it to both sides to ensure that it is seated on the hotplate.
- Place the ingredients and water if necessary into the removable pot so that the entire contents do not go over the **MAX** mark shown on the inside of the pot. To ensure its proper operation and prevent its damage, the pot must be filled up to at least the bottom mark on the scale. In the event that the edges or the outer parts of the built-in outer pot **A19** or the inner pot **A14** are soiled, clean them thoroughly.
- Close the lid as described in chapter CLOSING THE LID.

### TURNING ON THE PRESSURE COOKER

- Insert the plug of the power cord **A25** all the way into the connection socket **A22** on the side of the pressure cooker. Connect the power cord plug to a power socket. The pressure cooker will beep and switch to stand-by mode.

### STAND-BY MODE

- The stand-by mode means that the pressure cooker is ready for use. If the lid is locked, the display will show four dashes. If the lid is unlocked, the display will show the text "OPEN".
- Set the pressure cooker to stand-by mode after connecting it to the power supply or by pressing button **B15** (Start/Cancel) at any time while the pressure cooker is running.



### COOKING



#### Attention:

Before and during cooking, always check that the steam release valve **A7** is not covered, e.g. by a wiping cloth.

### QUICK OVERVIEW OF THE PRESSURE COOKER'S CONTROLS

- Use the control knob **B6** to select a cooking program.
- Adjust the cooking parameters according to your own discretion using the respective buttons and the control knob or leave the default preset parameters.
- Start the cooking process by pressing button **B15** (Start/Cancel).
- You can cancel the cooking process or the manually set cooking values by holding down button **B15** (Start/Cancel) for longer than 2 seconds.
- When the pressure cooker completes the cooking process it will automatically switch to the keep warm mode. The only exception are the programs  (fry) and , after the completion of which the pressure cooker will switch to the stand-by mode.

### POSITION OF THE STEAM RELEASE VALVE DURING THE COOKING PROCESS

- Prior to starting the cooking process, turn the steam release valve **A7** to the cooking position **C1**. The pressure cooker will automatically control the release of steam.
- If you wish to release all the steam from the pressure cooker, e.g. for the purpose of opening the lid, turn the valve to the steam release position **C2**. The pressure cooker will start to continuously release steam.




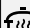
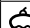





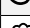

#### Warning:

When releasing steam, keep away from the escaping steam to avoid being scalded. Never place your hands, arms or face in the vicinity of the pressure control valve when it is releasing steam.

### AUTOMATIC COOKING USING PRESET PROGRAMS

- The electric pressure cooker has 10 smart cooking programs. Each of them has its predefined cooking time, temperature and pressure level to enable you to easily achieve the best possible results.

## Overview of the programs:

PROGRAM	TIME		TEMPERATURE		PRESSURE		DELAYED COOKING		Keep warm
	Default value	Manual adjustment	Default value	Manual adjustment	Default value	Manual adjustment	Default value	Manual adjustment	
 Fry	00:30	00:10-0:30	160 °C	100-180 °C	---	Not possible	---	Not possible	No
 Steam cooking	00:20	00:01-2:00	---	Not possible	3 segments	1-7 segments	02:00	00:10-24:00	Yes
 Cake	00:40	00:01-2:00	140 °C	100-140 °C	---	Not possible	---	Not possible	Yes
 Slow cooking	04:00	00:30-20:00	95 °C	45-95 °C	---	Not possible	02:00	00:10-24:00	Yes
 Manual mode	00:30	00:01-2:00	140 °C	30-140 °C	4 segments	1-7 segments	02:00	00:10-24:00	Yes
 Meat	00:30	00:01-2:00	---	Not possible	5 segments	1-7 segments	02:00	00:10-24:00	Yes
 Poultry	00:20	00:01-2:00	---	Not possible	7 segments	1-7 segments	02:00	00:10-24:00	Yes
 Beans	00:35	00:01-2:00	---	Not possible	7 segments	1-7 segments	02:00	00:10-24:00	Yes
 Rice	---	Not possible	---	Not possible	7 segments	1-7 segments	02:00	00:10-24:00	Yes
 Yoghurt	06:00	02:00-10:00	---	Not possible	---	Not possible	---	Not possible	No



### Note:



The cooking time does not include the automatic preheating time, which always differs depending on the type and amount of ingredients in the pressure cooker.

- Turn the program control knob **B6** to activate the individual programs. Turning it anticlockwise will select from the left programs menu **B5**, turning it clockwise will select from the right menu **B13**. Turning to the individual programs is accompanied by a beep, the flashing of the respective program symbol and the preset cooking values being shown on the display.
- Once you have selected a program, press button **B15** (Start/Cancel). The pressure cooker will beep 3x and the cooking process will start.
- First, the pressure cooker is automatically preheated to the required temperature and pressure, which is signalled by a dashed rectangle running on the display. Once the correct temperature is reached, the countdown indicator **B8** will be lit on the display and the actual cooking program will start, during which the time will start counting down on the display.



### Note:

You can cancel the automatic cooking process at any time by holding down button **B15** (Start/Cancel) for longer than 2 seconds.

- The timer will reach zero, the cooking process will end. The pressure cooker will beep 10x and switch to the keep warm mode. Only in the  (fry) and  (yoghurt) modes will the pressure cooker switch to the stand-by mode. This is the end of the program.

## ADJUSTING THE COOKING PROGRAMS

- On all programs, it is possible to adjust some or all of the preset cooking parameters based on your needs and experience. The parameters are listed in the program overview table.
- You adjust the parameters at any time by holding down button **B15** (Start/Cancel) for longer than 2 seconds.
- After adjusting the parameters, start the cooking process by pressing button **B15** (Start). The cooking process will run in the same way as with automatic cooking.

### Adjusting time

- Select a program that enables the adjustment of time and press button **B7** (Time). Turn the control knob **B6** to adjust the time as necessary.

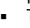
### Adjusting temperature

- Select a program that enables the adjustment of temperature and press button **B12** (Temp/Pressure). Turn the control knob **B6** to adjust the temperature as necessary.

### Adjusting pressure

- Select a program that enables the adjustment of temperature and press button **B12** (Temp/Pressure). If this is a program that enables the adjustment of both temperature and pressure, it is necessary to press the button 2x to activate the setting of pressure. Turn the control knob **B6**, then adjust the pressure as necessary.

## MANUAL COOKING

- The electric pressure cooker also enables all cooking parameters to be custom set based on recipes, amounts of ingredients and your personal preferences. You can set the time, temperature and pressure, see the program overview table.
- Turn control knob **B6** to program . The default time of 0:30 and temperature of 140 °C will be shown.
- Adjust the cooking parameters according to the procedure in the previous chapter ADJUSTING THE COOKING PROGRAMS.
- After setting the parameters, start the cooking process by pressing button **B15** (Start). The cooking process will run in the same way as with automatic cooking.

**Attention:**

When using custom settings and cooking without the lid, do not fill the inner pot **A14** up to the **MAX** mark and under no condition leave the pressure cooker without supervision.  
Never use a lid from a different pot, always use only the supplied lid and accessories.

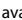
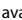
**COOKING WITHOUT THE LID**

- Unlock and remove the lid according to the procedure in chapter OPENING THE LID OF A COLD PRESSURE COOKER.
- Use the control knob **B6** to select a cooking program.
- If necessary, adjust the program parameters as describe in ADJUSTING THE COOKING PROGRAMS.
- Press button **B15** (Start). The cooking process will start even with the lid open.

**DELAYED COOKING FUNCTION**

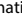
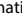
- The delayed cooking function enables you to start cooking at a time of your choosing. The minimum delay time is 10 minutes and the maximum delay time is 24 hours.

**Note:**

This function is not available for programs  (Fry) and  (Yoghurt).

- Select a cooking program and press button **B14** (Preset). The minutes indicator will start flashing. Turn the control knob **B6** to set the delayed cooking start time.
- Press button **B15** (Start) to start the countdown. Indicator **B2** will be lit. As soon as the time you set elapses, the pressure cooker will start the cooking process.

**KEEP WARM FUNCTION**

- The keep warm function will keep food warm at a preset temperature for up to 24 hours.
- The function will start automatically after every program with the exception of  (Fry) and  (Yoghurt). The display will show the time 0H and the timer will start counting up. The display will show only full hours.
- The function can be cancelled at any time by holding down button **B15** (Start/Cancel) for longer than 2 seconds.

**TURNING OFF THE PRESSURE COOKER**

- To completely turn off the pressure cooker, disconnect the power cord **A25** from the power socket.

**CLEANING AND MAINTENANCE****Attention:**

Apart from the removable pot **A14** and accessories **A26** to **A28**, no part of the pressure cooker is intended to be washed in a dishwasher.  
The pressure cooker unit **A21** is not intended to be washed under a water tap. Do not spray the pressure cooker unit or the power cord with water or any another liquid, or submerge it in water or another liquid.

**Attention:**

Never use chemicals, cookware scrubbers, steel wool, or abrasive cleaning agents to clean the outside of the pressure cooker unit **A21** or the inside of the inner pot **A19** as this could damage the surface of the pressure cooker unit or the inner pot.

- Before cleaning and maintenance, always disconnect the power cord **A25** of the pressure cooker from the mains power supply and pull it out of the socket of the pressure cooker. Before removing the lid **A1** and taking out the inner pot **A14**, always leave the pressure cooker to cool down completely.

**REMOVABLE INNER POT AND ACCESSORIES**

- Wash the removable inner pot in hot water with detergent, rinse it and dry it thoroughly. If there are baked on food remains inside the inner pot, then first allow it to soak for 20-30 minutes in hot water with detergent. The food remains can then be easily removed using a soft kitchen brush. The pot can also be washed in a dishwasher.

**Note:**

The colour of the inside surface of the removable inner pot may change during use. This is normal and in no way changes the properties of the surface.

- Wash the accessories **A26** to **A28** in hot water with detergent, rinse them and dry them thoroughly. You can also wash these parts in a dishwasher.

**PRESSURE COOKER UNIT AND THE BUILT-IN OUTER POT**

- Whenever you finish cooking, wipe away any condensate water or dirty material from the edges of the pressure cooker unit and the built-in outer pot.
- Clean the outer surface of the pressure cooker unit using a soft, damp cloth and wipe it dry using a dry wiping cloth.
- Wipe the inside of the built-in outer pot with a lightly dampened, soft wiping cloth and then wipe it dry using a dry, clean wiping cloth.
- Wipe the display using a soft sponge lightly dampened in warm water. A dry sponge or cleaning agents could scratch the surface.
- Pull the condensate tank **A15** downwards to remove it and then pour out its contents. Wash the condensate tank in warm water, wipe it dry and put it back in its place.

**LID**

- Clean the lid from both sides using a soft wiping cloth dipped in water. You can remove any food remains using a fine brush. Wipe the lid dry. When cleaning it, take care not to damage the valves **A11** and **A12** and the gasket **A9**.

## LID GASKET

- Gently pull the gasket **A9** around the entire perimeter to remove it from the holder **A13**. Carefully wash the gasket in warm water with a small amount of kitchen detergent. Rinse with clean water and wipe thoroughly until dry. In reverse sequence, carefully insert the gasket back behind the holder.
- If the gasket is worn out or damaged, replace it with a new gasket of the same type.

## PRESSURE CONTROL VALVE

- Carefully pull the pressure valve cover **A12** from the underside of the lid, see fig. **D**. In the event that the cover cannot be removed by hand, use a suitable flat screwdriver and carefully release the cover. Wash the cover in hot water with detergent, rinse it and dry it thoroughly.
- Using a damp cloth or soft brush, clean the inner part of the pressure valve **D1** and dry it with a dry wiping cloth. Push the cover back on to the valve.
- Carefully pull out the steam release valve **A7** from the outer side of the lid. Wash the valve, rinse and dry thoroughly.
- Using a damp cloth or soft brush, clean the outer part of the pressure valve **D2** and dry it with a dry wiping cloth. Push the cover back on to the valve.

## SAFETY FLOAT VALVE

- Carefully remove the cover **E1** of the safety float valve **A11** from the inner side of the lid. Remove the valve from the hole in the lid. Wash the cover and the valve in hot water with detergent, rinse them and dry them thoroughly.
- Insert the valve into the hole in the lid and from the underside of the lid, slide the cover on to the valve.



### Attention:

Never use the pressure cooker without the safety float valve cover or with a damaged cover.



### Attention:

Before connecting the power cord into a power socket and into the pressure cooker and before turning the pressure cooker on again, allow all surfaces to cool down completely.

## TROUBLESHOOTING

PROBLEM	POSSIBLE CAUSE	REMEDY
The pressure cooker cannot be turned on.	The power is not connected	Check the connection of the power cord, plug and the power socket.
The lid cannot be closed.	The lid gasket is not seated correctly.	Check the position of the gasket.
The lid cannot be opened.	There is still pressure inside the pressure cooker.	Release the pressure from the pressure cooker by turning the steam release valve to the release position or release the steam manually using button <b>A2</b> .
The lid cannot be opened after the steam has been fully released.	The safety float valve is still in the hole in the lid.	Using a suitable tool (e.g. skewer) push the valve into the down position.
A large amount of steam is escaping around the edge of the pressure cooker.	The lid is not properly closed.	Check the correct installation of the gasket in the lid.
	The lid gasket is not in its place or is soiled by food remains.	Position the gasket correctly on the lid or clean it.
	The lid gasket is worn out or damaged.	Replace the damaged gasket with a new one of the same type.
	The lid is damaged or deformed (e.g. by falling on the floor).	Contact the service department.
Large amount of steam is escaping from the safety float valve.	There are food remains on the lid gasket.	Remove the gasket from the lid and clean it.
	The lid gasket is worn out or damaged.	Replace the damaged gasket with a new one of the same type.
Steam is continuously escaping through the steam release valve even when it is in the cooking position.	Valve fault.	Contact the service department.
The hotplate is not heating.	The lid is not properly closed.	Close the lid in the proper manner.
	The hotplate is faulty or the power circuit is defective.	Contact the service department.
Code <b>E1</b> is flashing on the display.	Faulty bottom sensor.	Contact the service department.
Code <b>E5</b> is flashing on the display.	Open lid circuit sensor fault.	
Code <b>E6</b> is flashing on the display.	Open lid circuit sensor short circuit.	
Code <b>E8</b> is flashing on the display.	Faulty pressure sensor.	
Code <b>E11</b> is flashing on the display.	Communication fault between the control and starting printed circuit boards.	
Code <b>E12</b> is flashing on the display.	Communication fault between the receiving and starting printed circuit boards.	
Code <b>E13</b> is flashing on the display.	Float sensor short circuit	
Code <b>E14</b> is flashing on the display.	Float sensor fault	
Code <b>E15</b> is flashing on the display.	Thermal sensor fault on the receiving printed circuit board.	
Code <b>E17</b> is flashing on the display.	Receiving printed circuit board error.	
Code <b>E18</b> is flashing on the display.	Starting printed circuit board error.	
The text Pot is flashing on the display.	The removable pot is not inserted.	Insert the removable pot into the built-in pot.

The text "Lid" is flashing on the display.	The lid is in an incorrect position or must be removed (for program $\Delta$ )	Close the lid correctly. If you wish to use program $\Delta$ (Fry), it is necessary to remove the lid.
Rice or food is half cooked or too hard.	Not enough water.	Add water.
	The pressure cooker lid was opened prematurely.	When the cooking cycle has finished, leave the lid closed for 5 minutes or more.
Rice is too soft.	Frozen food was placed into the inner pot.	Allow frozen food to defrost before cooking it.
	Too much water.	Reduce the amount of water.
There is water behind the pressure cooker.	The condensate tank is full or condensated water is dripping down the surface of the pressure cooker unit.	Empty out the condensate tank or select a different location for the pressure cooker so that steam has more space above itself. Wipe away the water.
The pressure cooker is emitting an unpleasant odour.	There are food remains or other materials on the outer surface of the inner pot or on the hotplate.	Check and if necessary clean the contact surfaces of the inner pot and the hotplate.

## STORAGE

- Before storing it, the pressure cooker must be completely cool, clean and dry.
- Disconnect the plug of the power cord from the socket of the pressure cooker.
- Insert the removable inner pot into the built-in outer pot. You can place the accessories into the inner pot.
- If your storage space permits, it is recommended to store the lid separately to enable the inside of the pressure cooker to ventilate.
- Place the pressure cooker in a clean, dry place out of reach of children.



### Attention:

Keep the stored pressure cooker away from extreme temperatures, direct sunlight and excessive humidity and do not store it in an overly dusty environment. Do not place anything on to the pressure cooker.

## TECHNICAL SPECIFICATIONS

Rated voltage range .....	220-240 V AC
Rated frequency .....	50/60 Hz
Power output .....	1,100 W
Capacity of the pressure cooker .....	5.5 l
Pot dimensions.....	351 × 351 × 360 mm
Operating pressure.....	20–80 kPa
Temperature range.....	30–160 °C
Weight .....	6 kg
Protection class .....	IPX0

## EXPLANATION OF TECHNICAL TERMINOLOGY

### Safety class for electrical shock protection:

**IPX0** – The appliance is not protected against dangerous contact or against the damaging effects of water, which could enter inside the appliance.

Changes to text and technical parameters are reserved.

## INSTRUCTIONS AND INFORMATION REGARDING THE DISPOSAL OF USED PACKAGING MATERIALS

Dispose of used packaging material at a site designated for waste in your municipality.

## DISPOSAL OF USED ELECTRICAL AND ELECTRONIC EQUIPMENT



This symbol on products or original documents means that used electric or electronic products must not be added to ordinary municipal waste. For proper disposal, renewal and recycling hand over these appliances to determined collection points. Alternatively, in some European Union states or other European countries you may return your appliances to the local retailer when buying an equivalent new appliance.

Correct disposal of this product helps save valuable natural resources and prevents potential negative effects on the environment and human health, which could result from improper waste disposal. Ask your local authorities or collection facility for more details. In accordance with national regulations penalties may be imposed for the incorrect disposal of this type of waste.

### For business entities in European Union states

If you want to dispose of electric or electronic appliances, ask your retailer or supplier for the necessary information.

### Disposal in other countries outside the European Union.

This symbol is valid in the European Union. If you wish to dispose of this product, request the necessary information about the correct disposal method from the local council or from your retailer.



This product meets all the basic requirements of EU directives related to it.