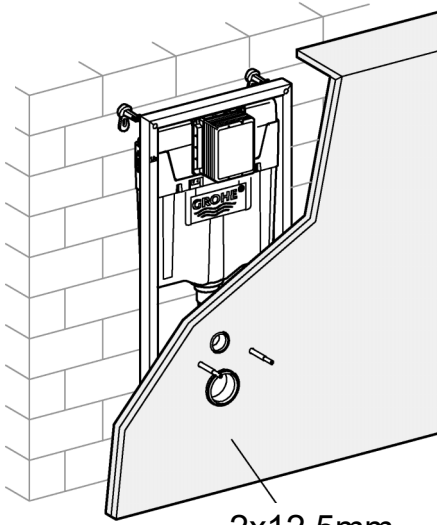
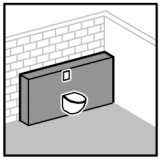
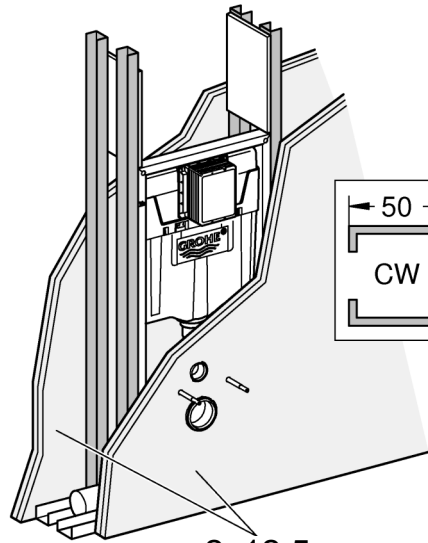
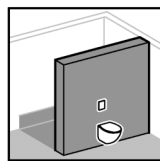


DIN  
1988

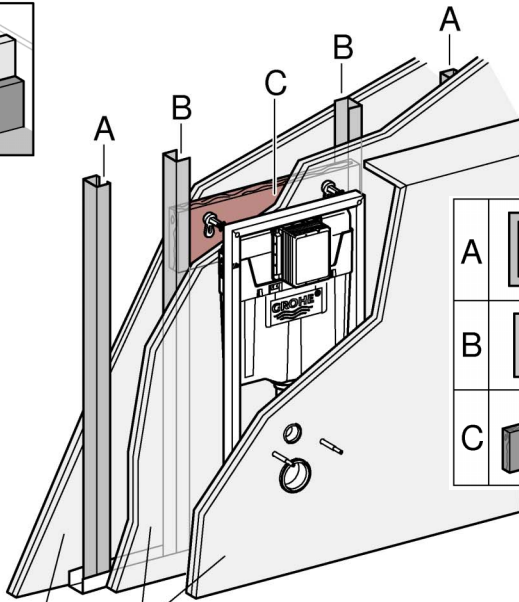
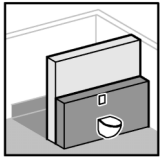
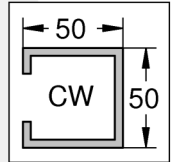
DIN EN  
806



2x12,5mm

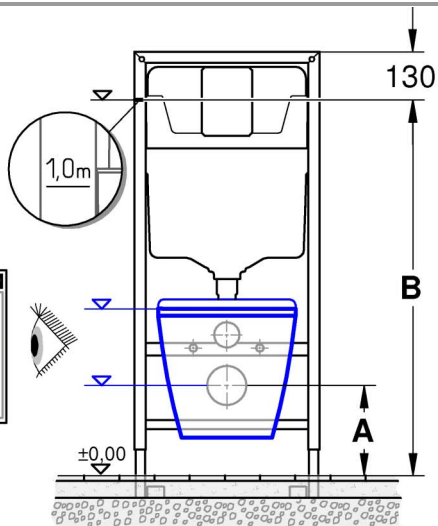
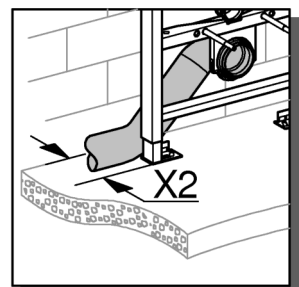
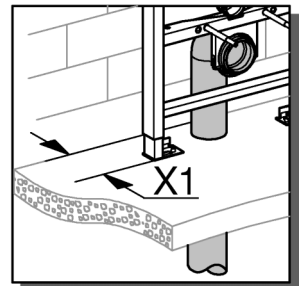
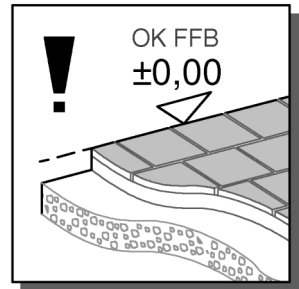


2x12,5mm



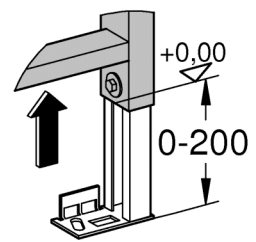
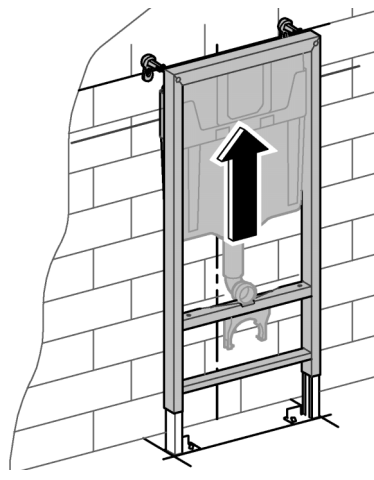
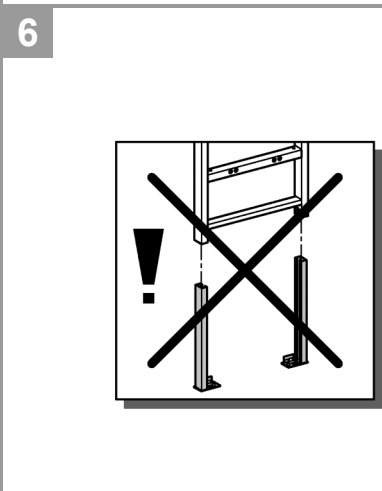
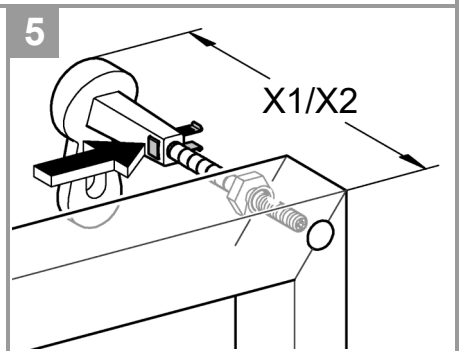
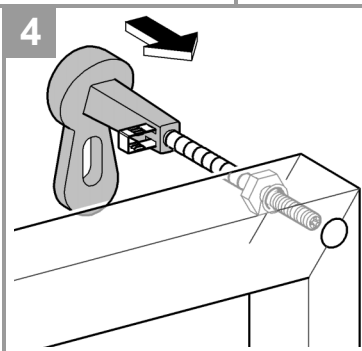
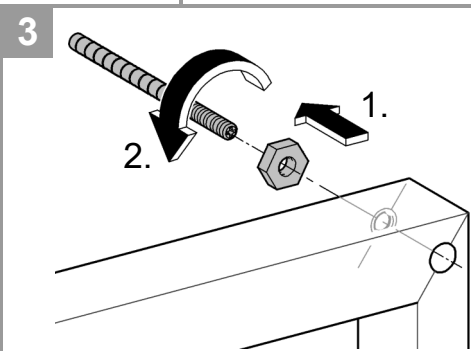
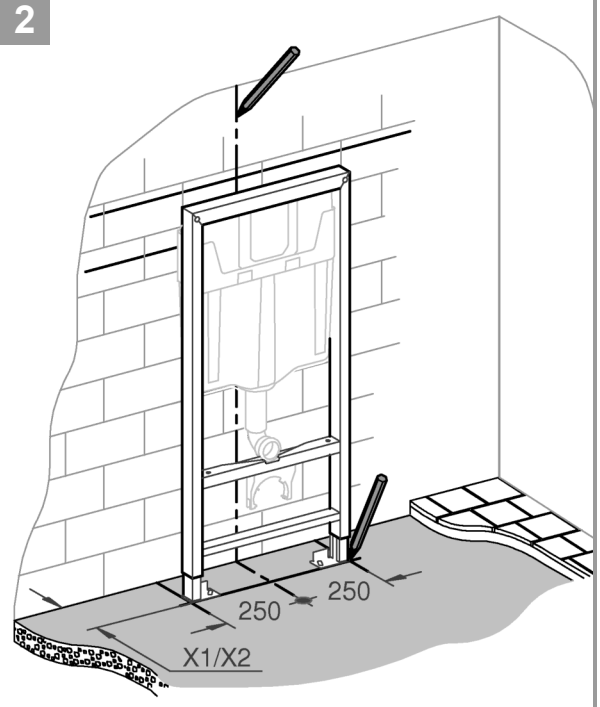
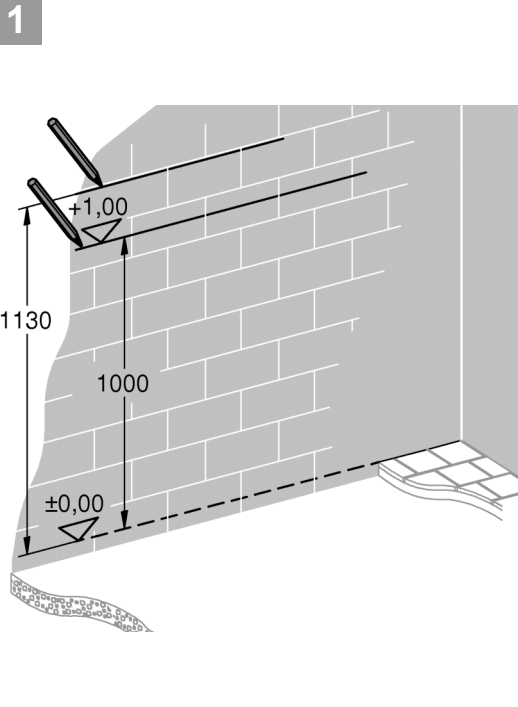
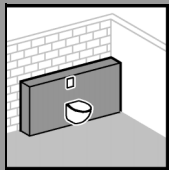
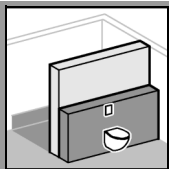
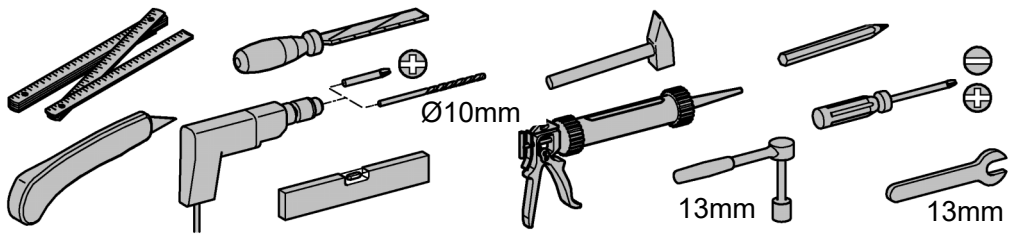
2x12,5mm

|   |  |            |
|---|--|------------|
| A |  | 50x50x0,6  |
|   |  | 75x50x0,6  |
| B |  | 50x40x2    |
|   |  | 75x40x2    |
| C |  | 300x620x24 |



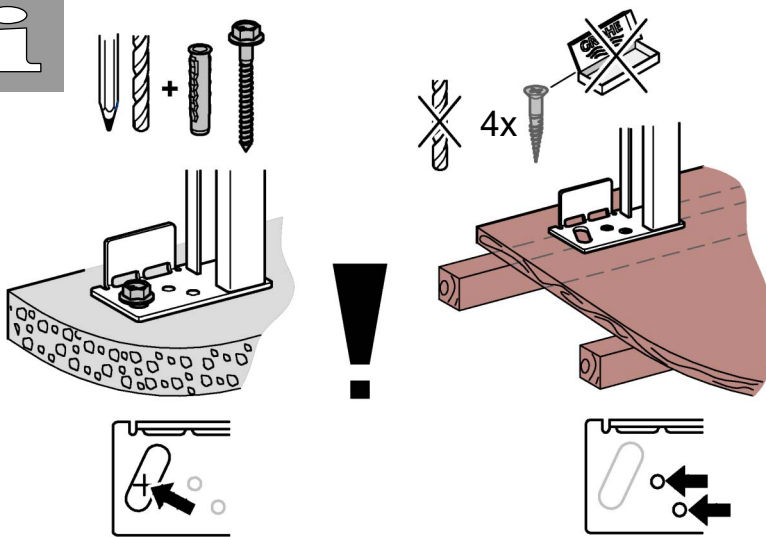
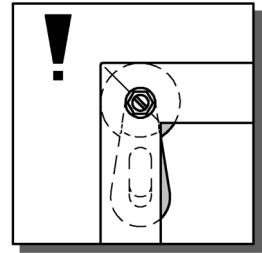
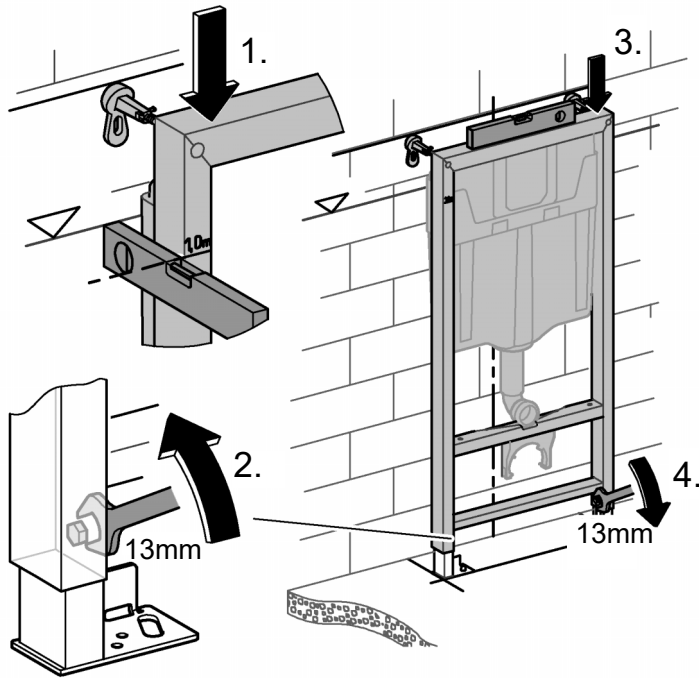
|  | A   | B    |
|--|-----|------|
|  | 240 | 1010 |
|  | 230 | 1000 |
|  | 220 | 990  |
|  | ... | ...  |

|    | Ø90      | Ø110     |
|----|----------|----------|
|    |          |          |
| X1 | min. 135 | min. 145 |
| X2 | min. 155 | min. 165 |

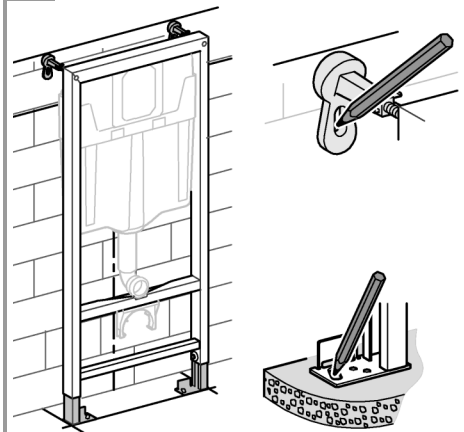




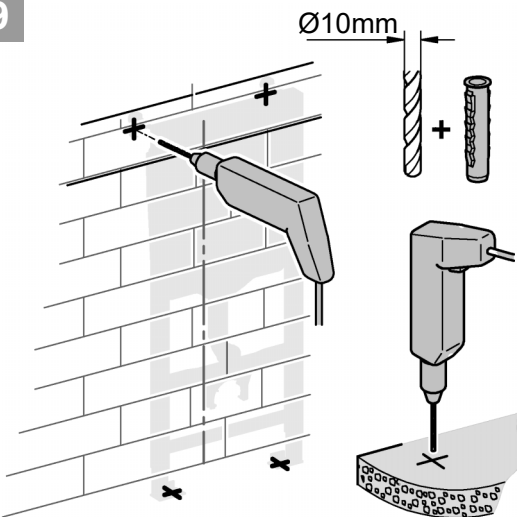
7



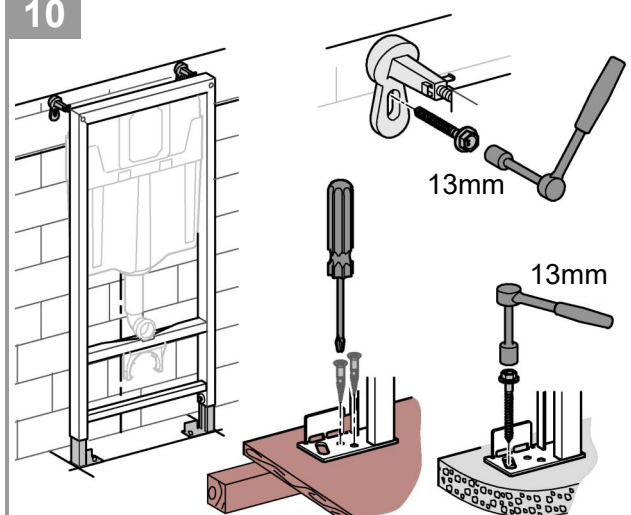
8



9

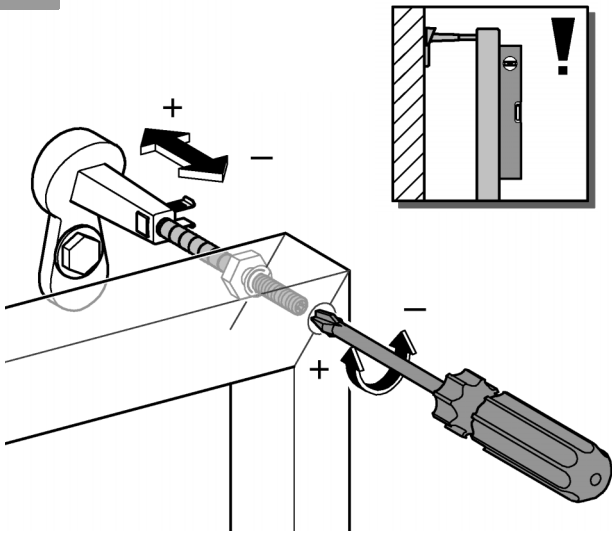


10

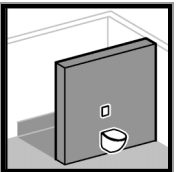
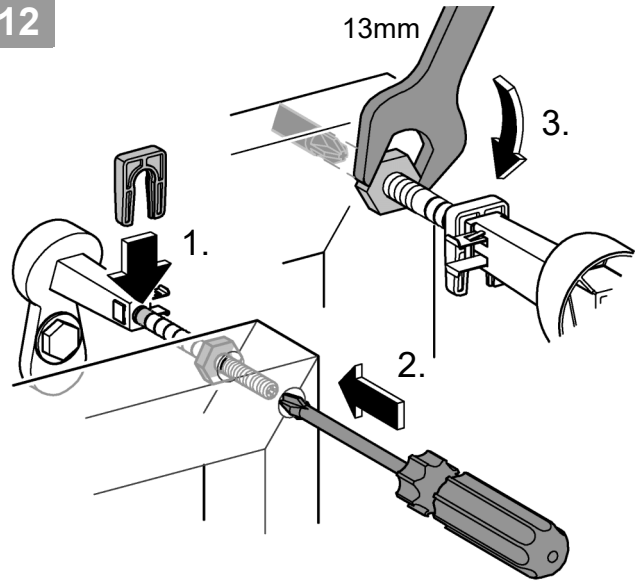




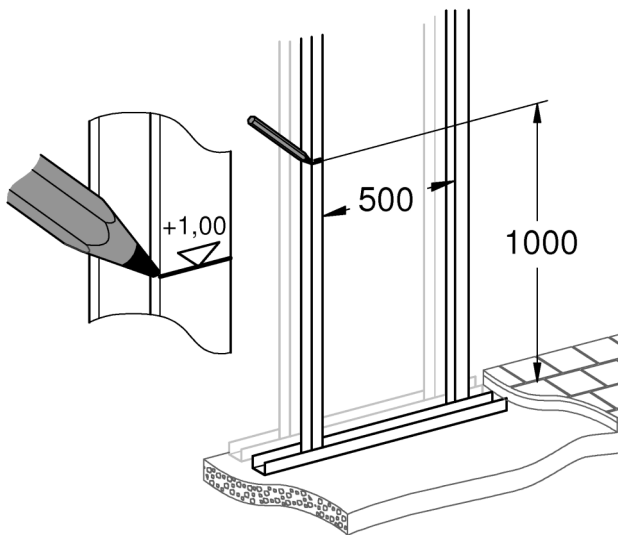
11



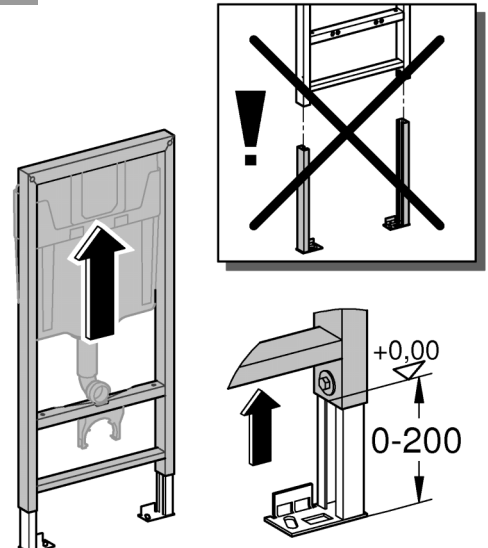
12



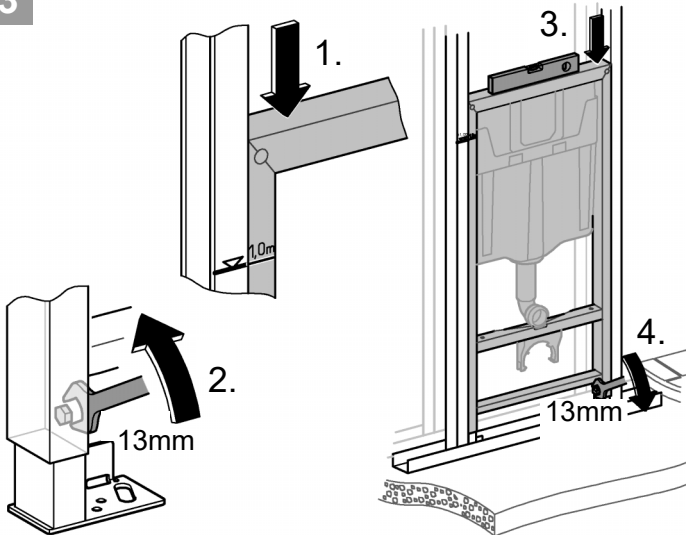
1



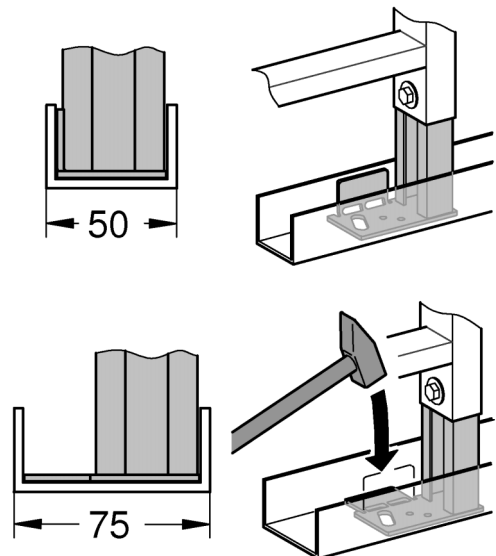
2

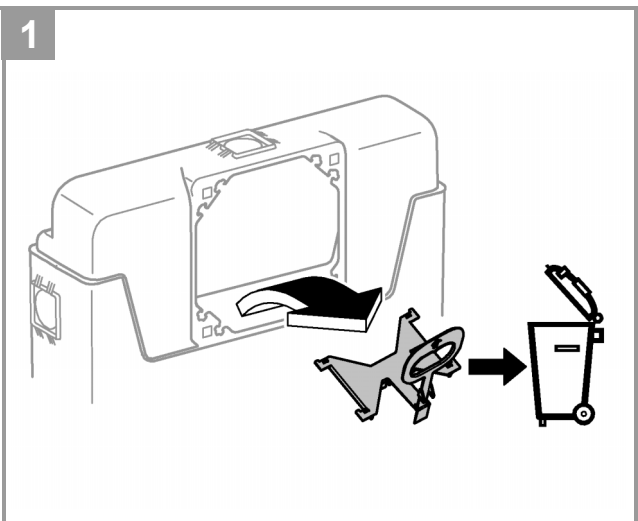
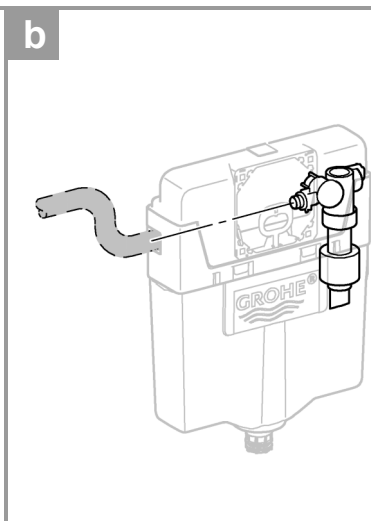
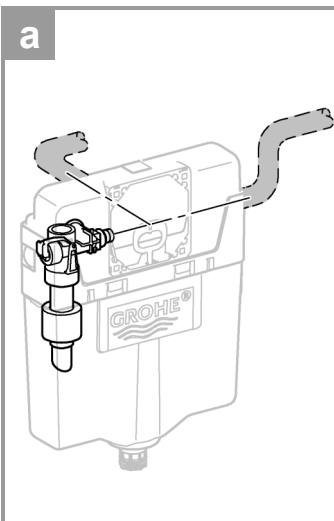
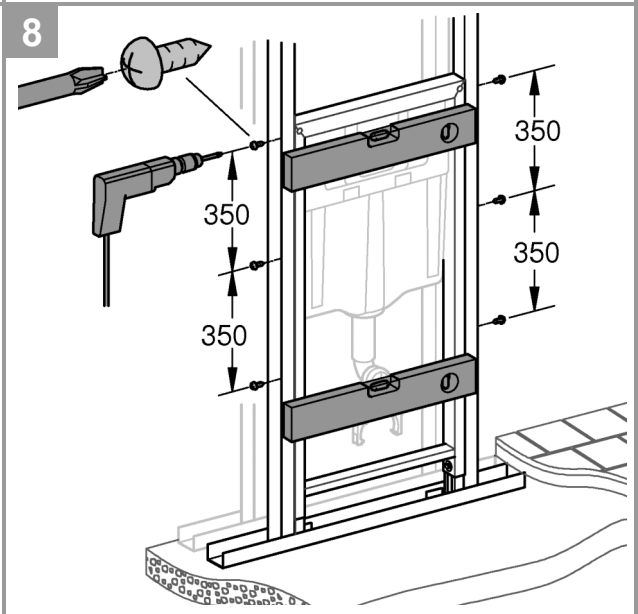
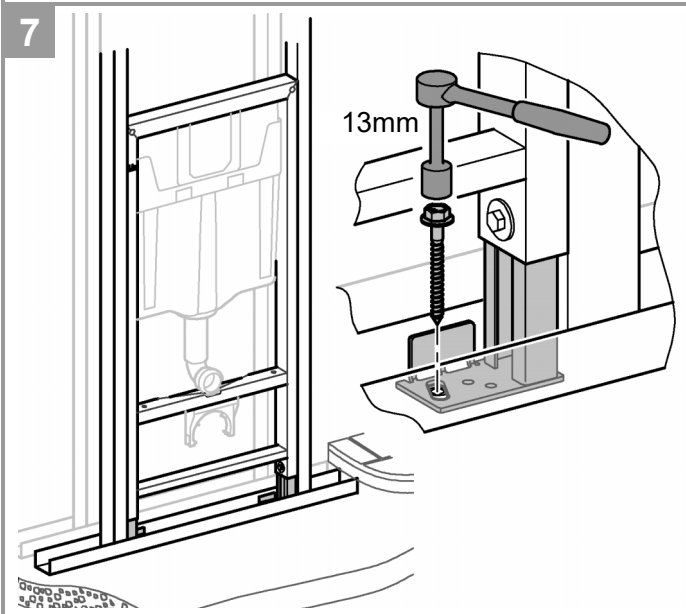
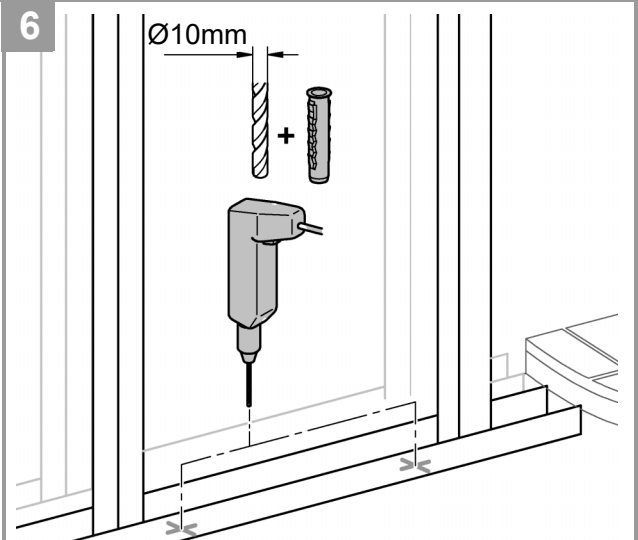
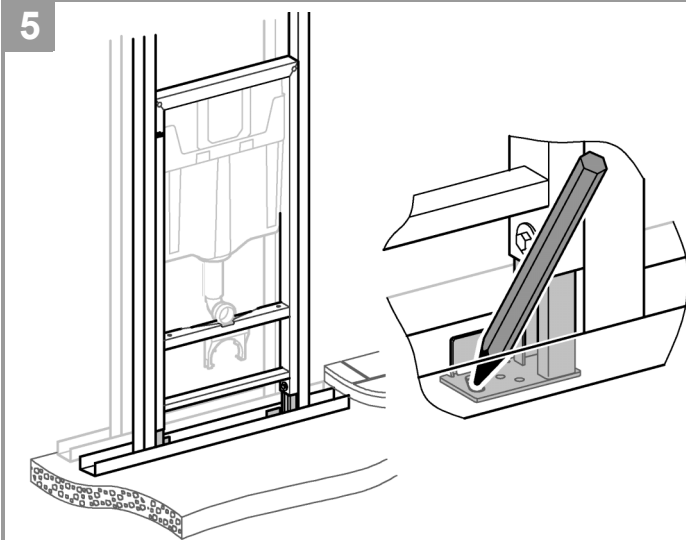


3



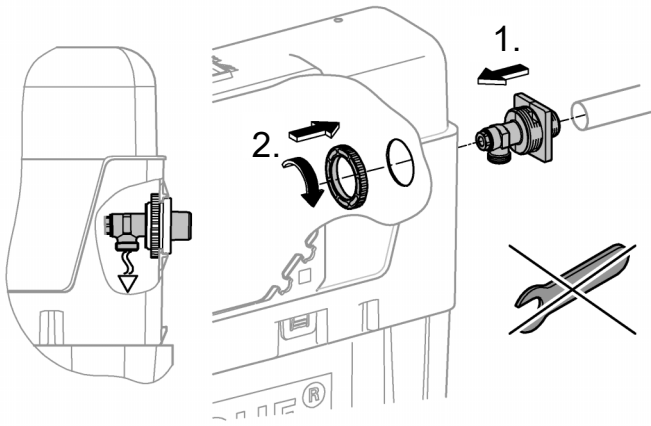
4



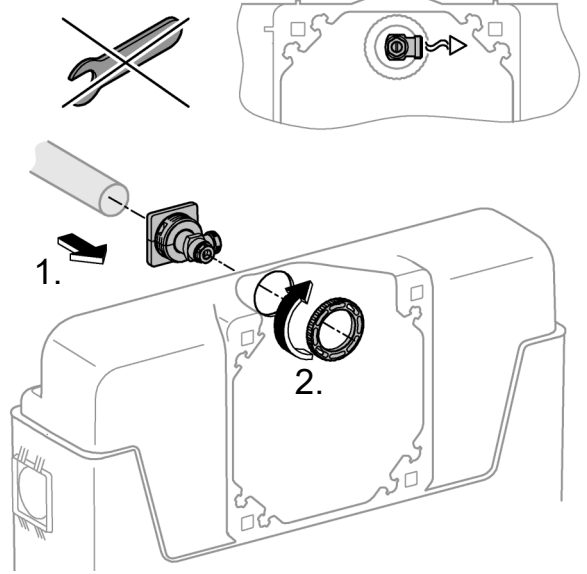




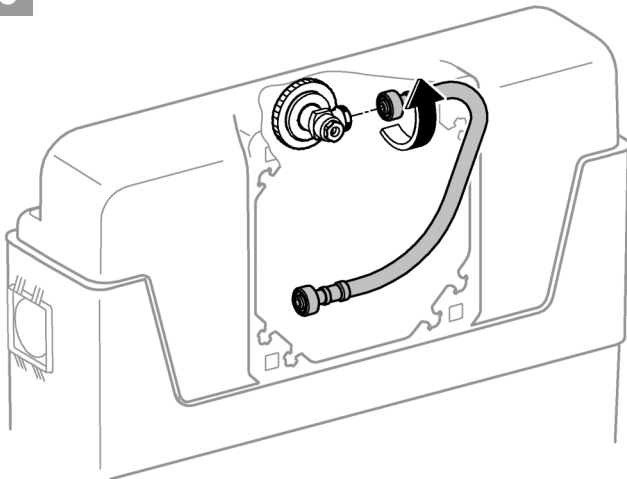
2a



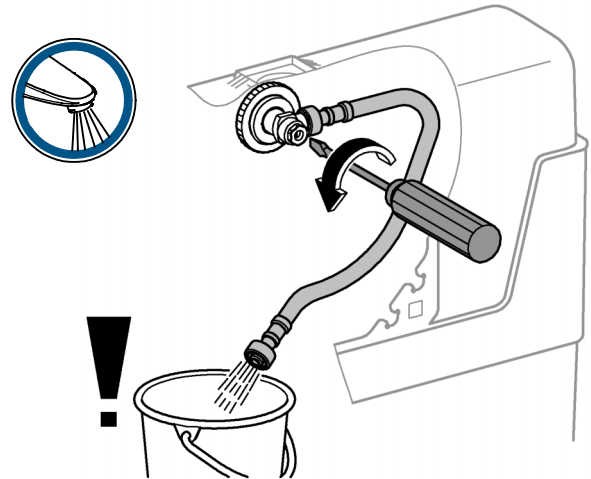
2b



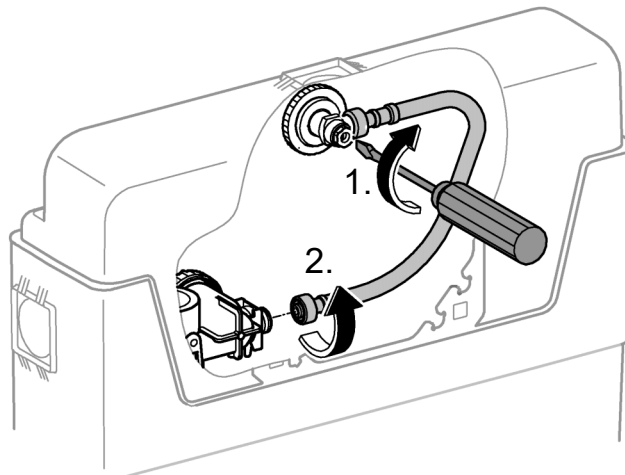
3



4

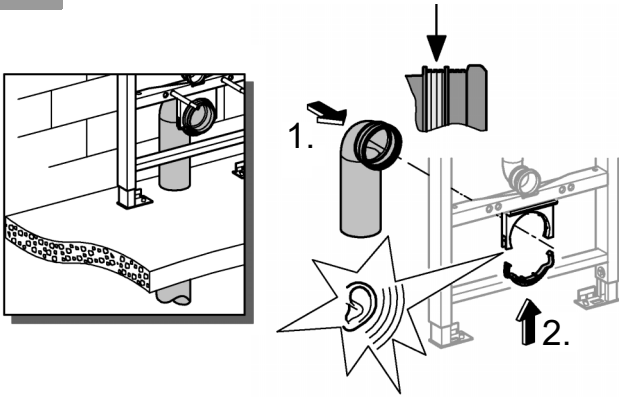


5

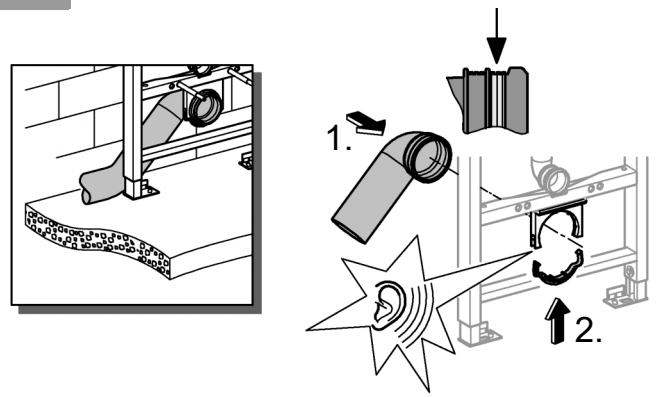




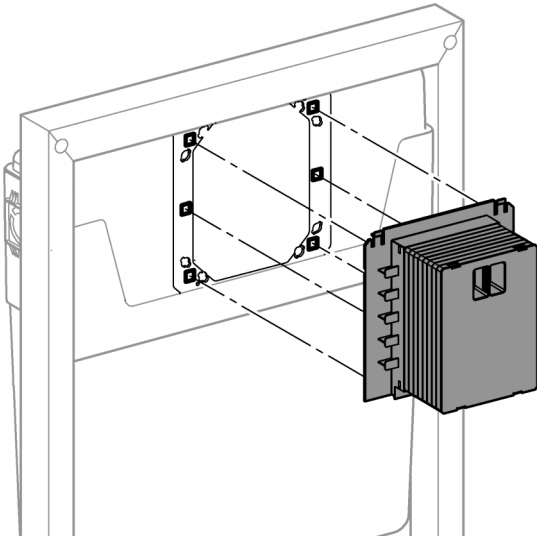
1a



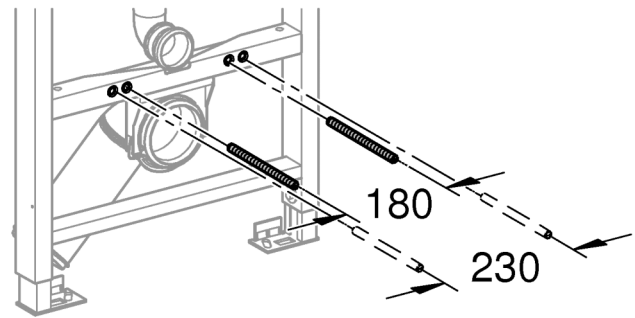
1b



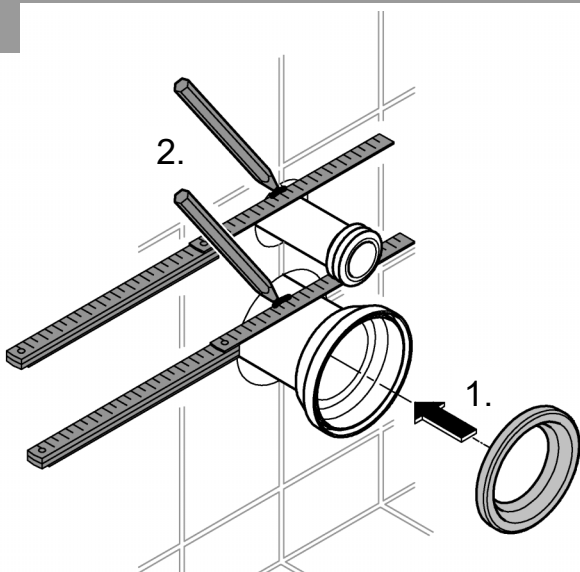
2



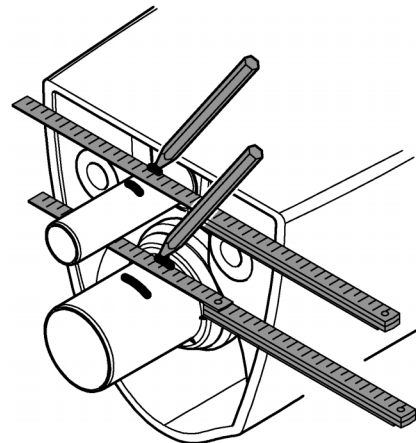
3



1



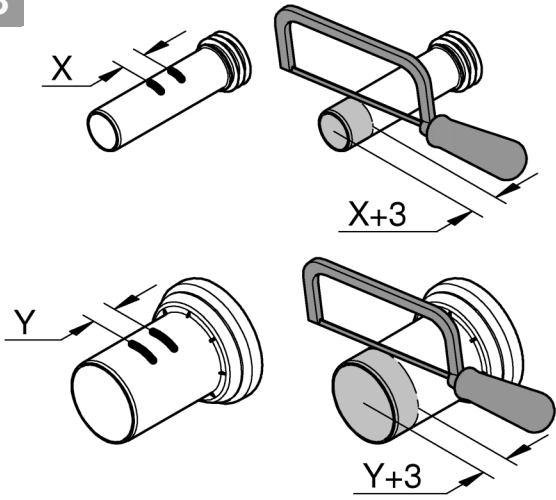
2



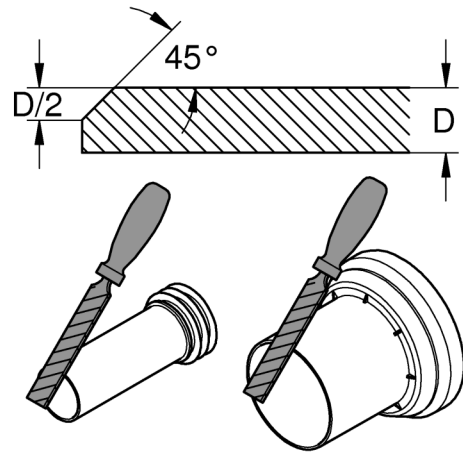




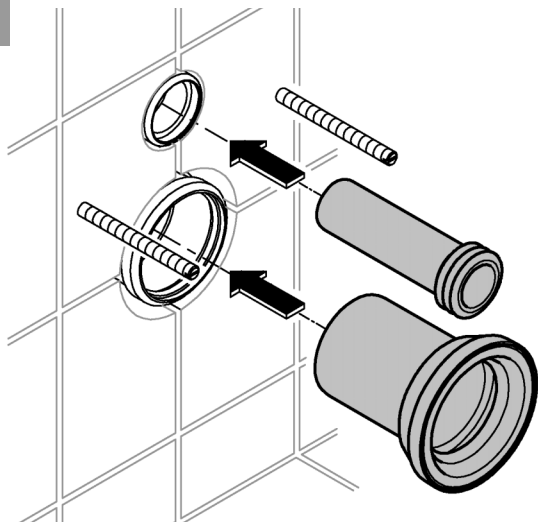
3



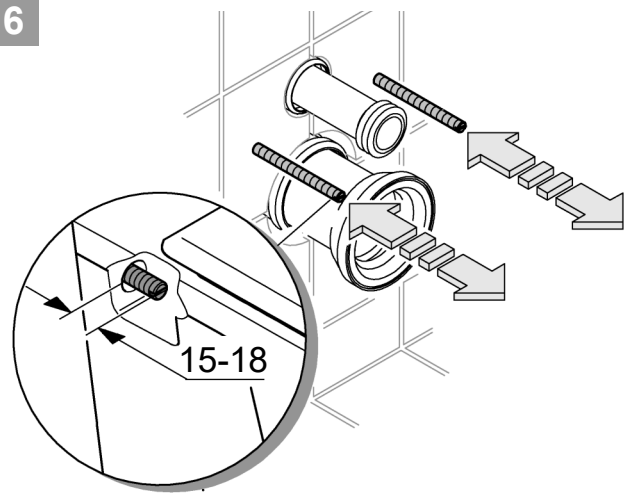
4



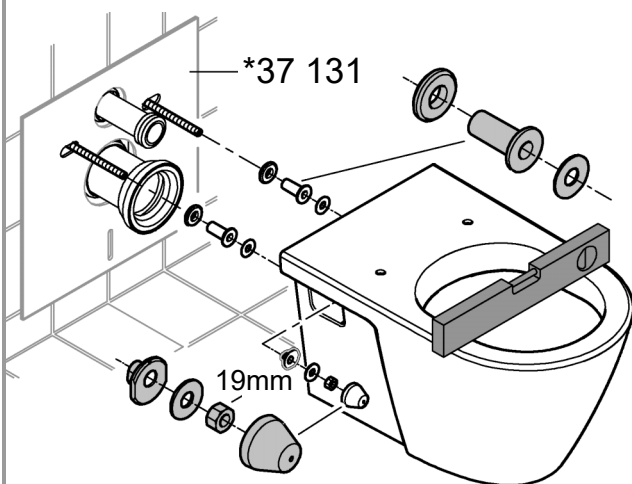
5



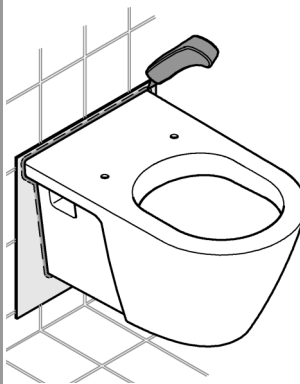
6



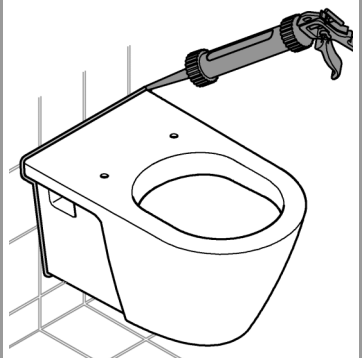
7

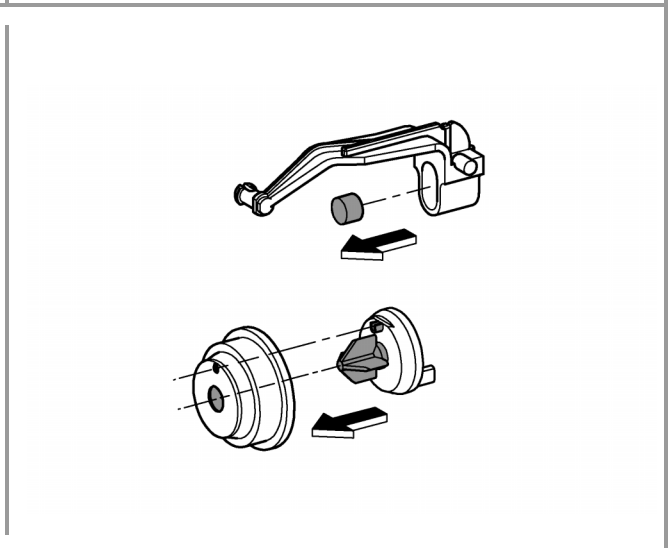
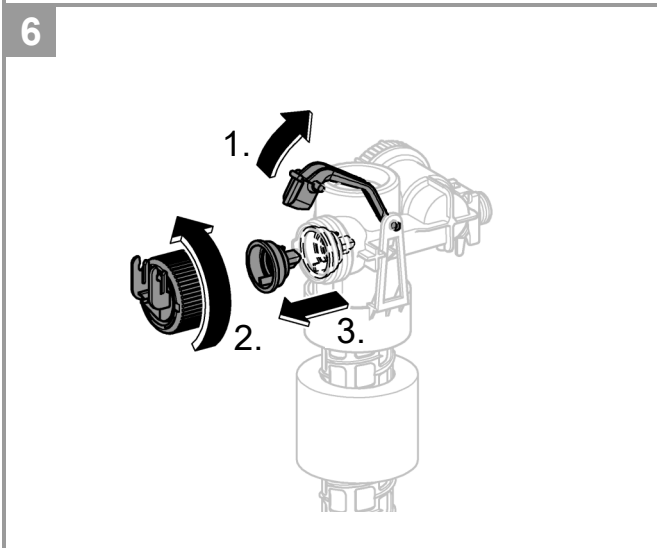
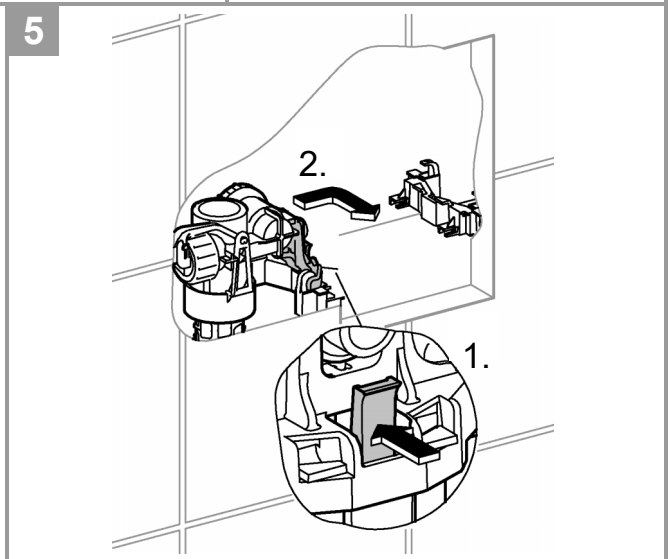
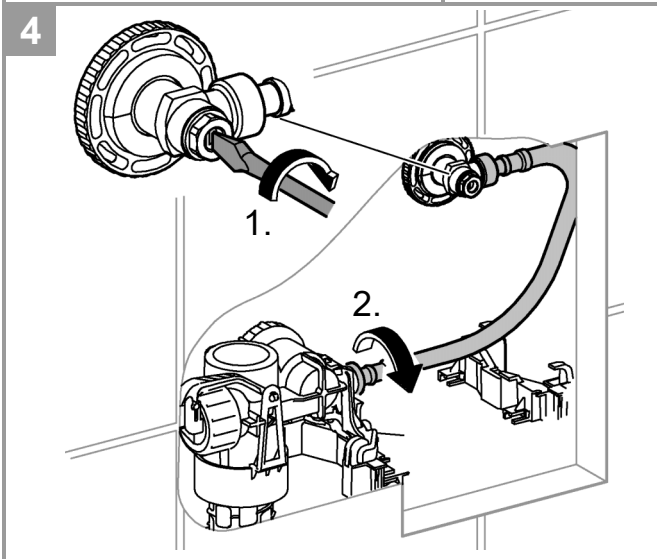
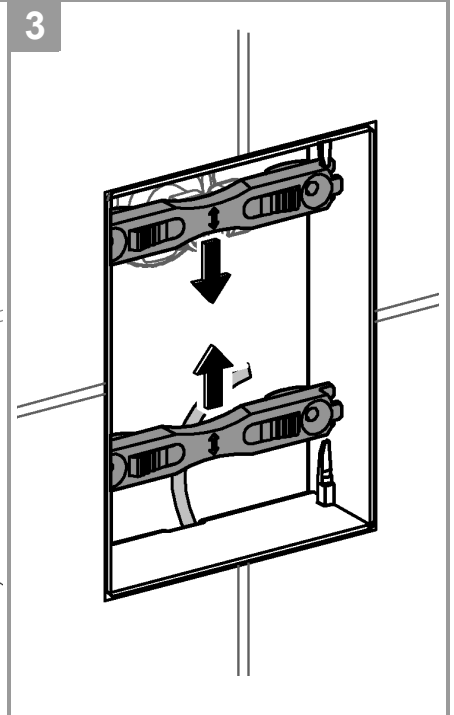
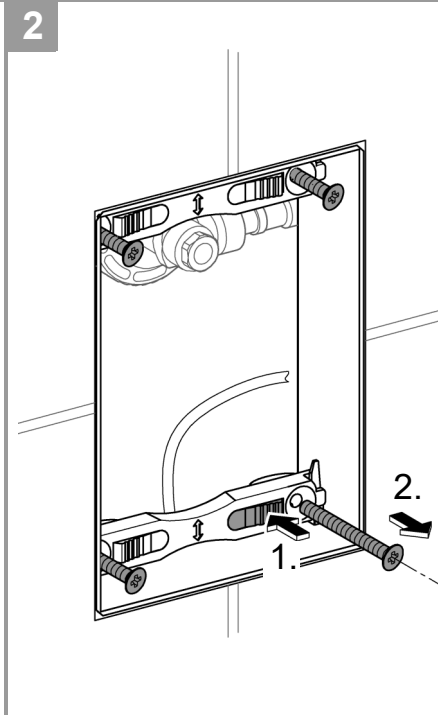
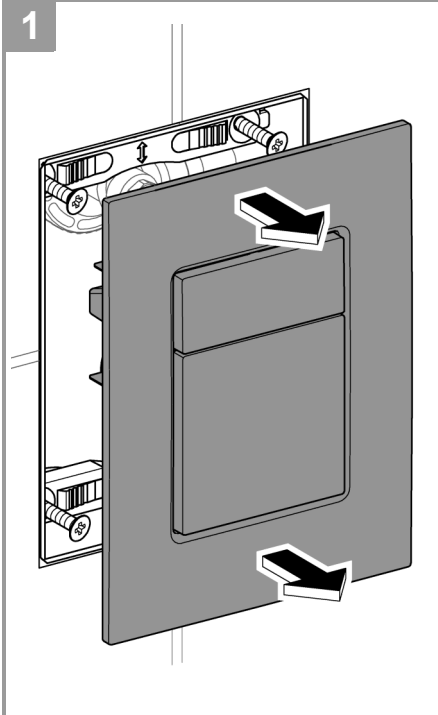


8

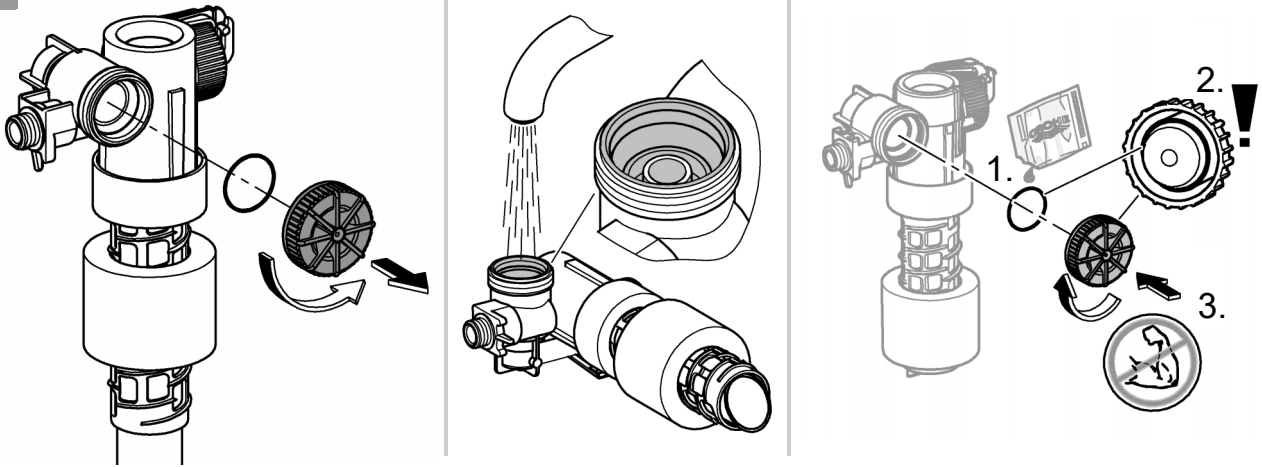


9

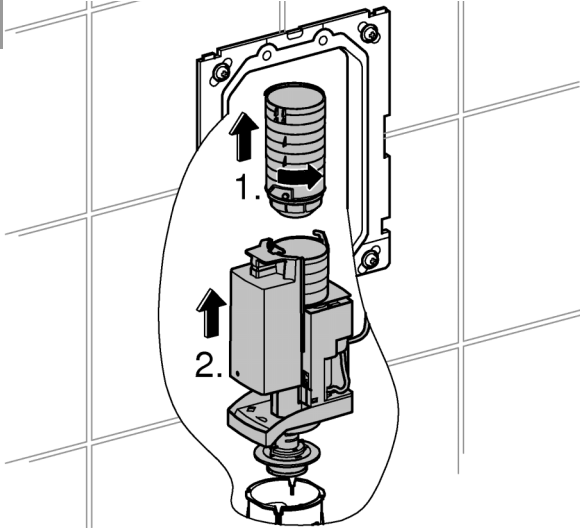




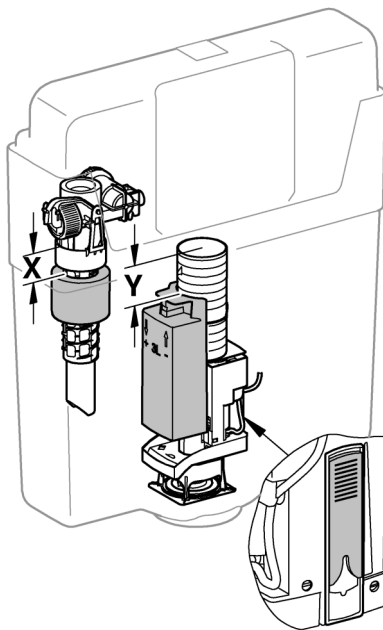
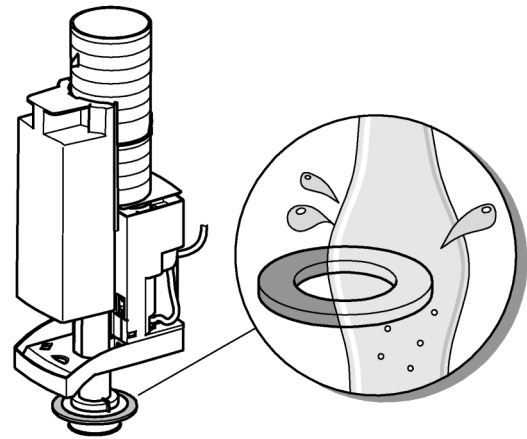
7



8



9



|           | X    | Y    |       |
|-----------|------|------|-------|
| <br>6 l   |      |      | <br>↑ |
| <br>3 l   | 81mm | 75mm |       |
| <br>9 l   | 74mm | 75mm | <br>↓ |
| <br>4,5 l |      |      |       |

