

bluextreme

700/1100/1500

- User's manual
- Manuale d'uso
- Manuel d'utilisation
- Handbuch
- Gebruiksaanwijzing
- Manual de uso
- Manual do usuário
- Příručka uživatele
- Příručka uživatele
- Felhasználói kézikönyv
- Användarmanual
- Brugsanvisning
- Руководство по применению
- Instrukcja obsługi



ferplast
aquarium generation

BLUEXTREME 700/1100/1500

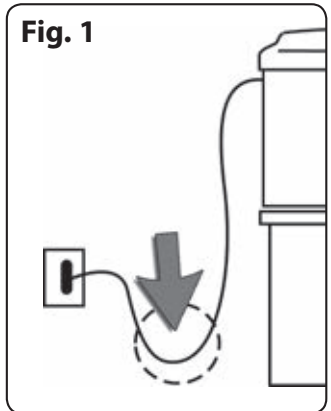
PREFACE

Congratulations for having chosen a BLUEXTREME external filter by Ferplast, designed for your complete satisfaction and to ensure the total health of your fish and plants, without neglecting your safety, seeing as the powerful pump integrated in the filter is completely submersible and each component conforms to the relevant international safety regulations (CEI EN 60335-2-41).

Installation and management of the filter will be easy and fun. And, thanks to BLUEXTREME, only a few minutes of maintenance every month are enough to have an aquarium that is always in perfect efficient condition.

PRELIMINARY WARNINGS

- Make sure that the indicated voltage on the equipment label corresponds to the electric network.
- The filter is designed for interior use.
- Make sure that your home is protected upstream by a differential cutout switch with intervention current that does not exceed 30mA.
- Unplug the equipment from the power supply before performing any maintenance operations.
- The power cord must not be repaired or replaced: in case of damage, replace the entire equipment.
- The temperature of the liquid must not exceed 35° C.
- When the filter is connected to the power supply, make sure that the lowest point of the electric cord is lower than the electric socket; to avoid that eventual drops of water present on the cord can accidentally come into contact with the socket (**fig. 1**).
- This product is not suitable for use by children or disabled persons without supervision.
- Make sure that the suction tube is always submerged, in a way that keeps the filter from ever becoming dry.



OPENING THE PACKAGE

Inside the BLUEXTREME package you will find:

- 1 BLUEXTREME external filter, complete with pump and filtering material (sponges and ceramic cylinders);
- 2 flexible tubes in non-toxic PVC length 1,5 or 2 meters (Ø 15/21 mm);
- 2 (BLUEXTREME 700) or 4 (BLUEXTREME 1100 - 1500) BLUSTART capsules (special capsules that speed up the filter maturation process);
- **ACCESSORIES KIT**, including:
 - 1 extensible suction tube complete with grill, holding cap for filter connection and fixing ferrule for the flexible tube;
 - 1 discharge tube complete with extension, fittings for spray-bar or nozzle and fixing ferrule for the flexible tube;
 - 1 spray-bar;
 - 1 rotary nozzle;
 - 6 long clips with ratchet;
 - 4 short clips with ratchet;
 - 10 suction cups;
 - 4 filter support legs;
 - 2 clips holders.



BLUEXTREME FILTER TECHNICAL DATA

BLUEXTREME	CAPACITY	PREVALENCE	INTERNAL TANK VOLUME	BIOLOGICAL FILTRATION VOLUME	POWER	AQUARIUM TANK VOLUME	DIMENSIONS	FILTRATION BASKETS
model	L/h	m	L	L	W	L	cm	n°
700	700	1,3	5,5	1	12	< 150	22 x 22 - h 34	3
1100	1100	1,5	7	1	16	150 < l < 300	22 x 22 - h 40	4
1500	1500	2,2	11	2,5	32	< 500	26 x 26 - h 46	4



BLUEXTREME: discover all of its impressive qualities

Filter handle

An easy to use handle for transporting the filter, designed to support it even when full of water (Fig. A/1).

Valve release lever

An easy to use lever that facilitates the extraction of the valves group from the filter cover during maintenance operations (Fig. A/2).

PLEASE NOTE: The Valves Group can be extracted from the cover only if the lever is in a vertical position.

Valve opening lever (safety system)

A lever that permits the opening/closing of the valves and the regulation of flow (Fig. A/4).

Tube fittings with ferrule

Easy to use 360° rotary fittings (Fig. A/7) with a ferrule that permits a secure fitting onto the flexible tube (Fig. A/3).

Valves group

An element easily extracted from the cover thanks to the release lever, which contains the valves for the interception of the water flow (Fig. A/10).

PLEASE NOTE: When extracted from the cover, a special system blocks the valve opening lever, so that it cannot move accidentally and cause bothersome water leakage.

Hooks

4 strong hooks for a tight hold between the cover and the filter tank (Fig. A/5). A special button permits blocking of the hook, when closed, in order to avoid bothersome accidental opening (Fig. A/6).

PLEASE NOTE: Red: blocked hook; Green: unblocked hook.

Tank seal

Special seal in EPDM rubber, to guarantee the maximum hold between the cover and tank (Fig. A/8).

Pre-chamber seal

Special seal in EPDM expanded with closed cells that guarantees water flow from the filter input to the bottom of the tank, without any preferential passage (Fig. A/9).

Ceramic cylinders basket

Easy to use basket containing ceramic cylinders for biological filtration.

This position optimizes filter efficiency (Fig. B/1).

Water passage tube

An integrated tube that ensures a direct flow of water from the aquarium to the bottom of the tank (Fig. B/2).

Filtration material basket

Easy to use baskets containing sponges of varied porosity, easily adaptable to other types of materials (Fig. B/3). The special adjustable handles ensure that their position is always well adhered to the tank wall, in a way that avoids the preferential passages of water around the sponges (Fig. B/4). The filtration materials can be replaced with others including perlon wool BLUFIBRE (mechanical filtration), activated charcoal in grains BLUCARBON and the zeolite BLUZEOLITE (absorbent filtration) or other materials, being careful not to clog the filter.

Suction tube

Special tube for suctioning the water in the aquarium, length adjustable (Fig. C/6). The tube includes a grill to avoid the entrance of leaves or fish into the filter (Fig. C/7) and a hole with a cap for the connection (Fig. C/8). In addition, the ferrule ensures a tight on the flexible tube.

Flexible tube

Special flexible tube in PVC with a diameter of 15/21 mm available pre-cut in 2 pieces.

Fig. A

- 1 Filter handle
- 2 Valve release lever
- 3 Ferrules
- 4 Valve opening and flow regulation lever
- 5 Hook
- 6 Hook closure safety button
- 7 Tube fittings for water intake and discharge
- 8 Tank seal
- 9 Pre-chamber seal
- 10 Valves group

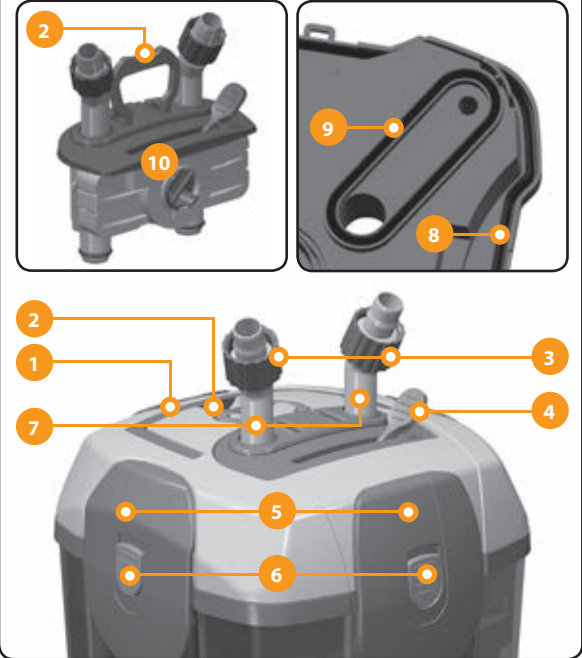
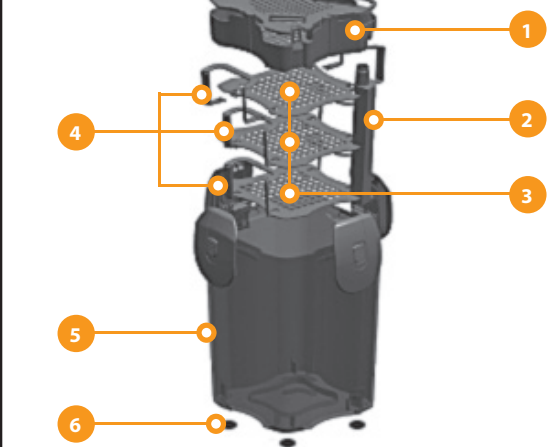


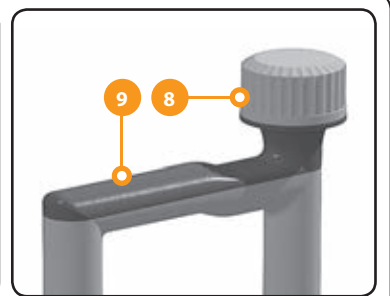
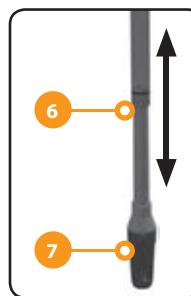
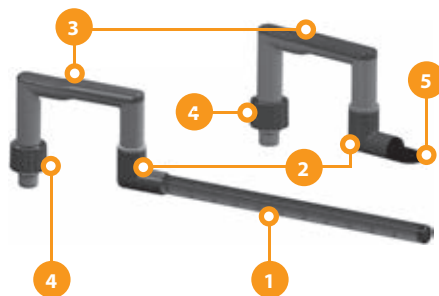
Fig. B



- 1 Ceramic cylinders basket with cover
- 2 Water passage tube towards tank bottom
- 3 Filtration materials basket with sponges
- 4 Adjustable basket handles
- 5 Tank
- 6 Support legs

Fig. C

- 1 Spray-bar
- 2 "L" fittings
- 3 Fittings without cap
- 4 Ferrule for attachment to the flexible tube
- 5 Rotary nozzle
- 6 Adjustable suction tube
- 7 Grill
- 8 Holding cap for filter connection
- 9 Fittings with cap



Setting up the aquarium

- Decorate the aquarium as recommended by your trusted shop owner or as indicated in the instructions manual.
- In any case, if you are setting up an aquarium with tropical fresh water fish, we recommend a uniform shallow layer of fertilizer.
- Fill the tank with water (we recommend using 50% tap water and **50% demineralized water** for aquariums, even though this percentage can vary depending on the characteristics of your tap water).
- Set the temperature of the heater based on the chosen species of fish and plants (for example, for tropical fresh water aquariums, the average temperature is approximately 25-26°C).

Install the external filter as described below (Including the insertion of BLUSTART tablets)

- Place the plants in the aquarium after the water has been in the tank for 24 hours, to be sure the temperature and the chemical values of the water are stable.
- Before inserting the fish, you must wait 10-12 days, so the filter will be active. We recommend that you verify the parameters of the water of your aquarium with the measuring device MULTISTICK TESTER. Your trusted shop owner can also recommend the ideal values for temperature, hardness, etc., according to the species of fish and plants that you have chosen for your aquarium. It is a good idea to repeat the control frequently. When the fish are inserted, add the BLUSTART tablets included with the filter (1 in 700 and 2 in 1100 and 1500) in the bottom of the filter tank (you can introduce them easily through the tube, **Fig. D**).
- During the period of time necessary for filter maintenance, add a daily small dose of dry food: it will facilitate the formation of bacterial flora.

Preparation and installation of the filter

- Stick the four support legs of the filter to the bottom of the tank (**Fig. B/6**).
- Position the BLUEXTREME filter under the level of your aquarium (if you want, position it on the side of the aquarium, which can be done after start-up). All the Ferplast stands are designed to accommodate the filter and facilitate the passage of the tubes.
- PLEASE NOTE:** From the base of the filter support to the intake point of the tubes into the aquarium there must not be more than **160 cm**.
- Insert the valves group into the seat; lower the release lever and verify that the regulation lever is in the **UNBLOCKED** position.
- Extract the filter tank cover using the hooks (remember that the 4 safety buttons must first be raised, going from red to green, **Fig. E**) and verify the correct position of the filtration materials; release 1 (700) or 2 (1100-1500) BLUSTART capsules into the bottom of the filter tank (you can easily introduce them through the tube).
- Re-close the filter, positioning the cover over the tank, blocking it with the four hooks and closing the safety buttons.
- PLEASE NOTE:** do not lock one hook at a time, but pairs of hooks (one opposite the other).
- Be careful of the correct assembly and correct direction of the cover onto the tank**, positioning it in a way to guarantee the continuity of the water's passage from the intake to the discharge (**Fig. F**). Make sure that there is not dirt or foreign matter on the seals under the cover.
- Position the flow and suction pipes in your aquarium, making sure to fix them properly with the suitable accessories (**Fig. G**).
- PLEASE NOTE:** the FERPLAST aquariums are opportunely designed for the passage of tubes (**Fig. H**).
 - In the CAYMAN, DUBAI & CAPRI models there are easily removable rupture blocks present on the back of the cover.
 - In the STAR models, the rear grill vents can be easily removed to permit the passage of tubes.
- We recommend that you position the flow and suction unit in the rear angles, in opposite positions, to avoid the formation of direct passages between the two. In fact, these passages could compromise the efficient functioning of your aquarium.
- PLEASE NOTE:** In the aquarium CAYMAN 60, because of the reduced amount of available space, it is not possible to utilize the "C" fittings in the left angle of the aquarium; therefore we recommend to position the suction on the right side and the flow on the left, entering directly into the flow with the flexible tube.

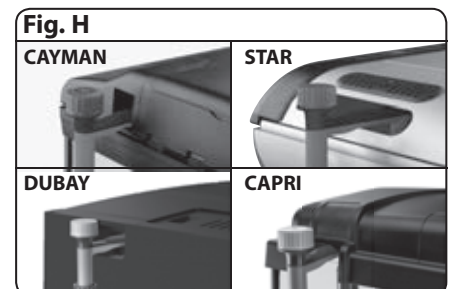
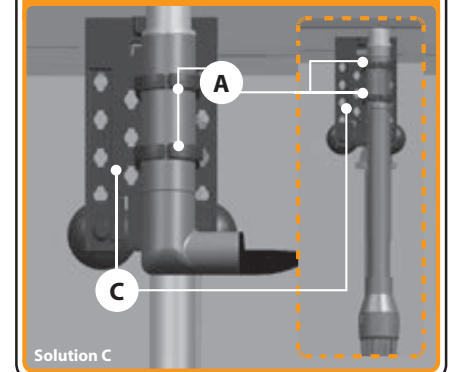
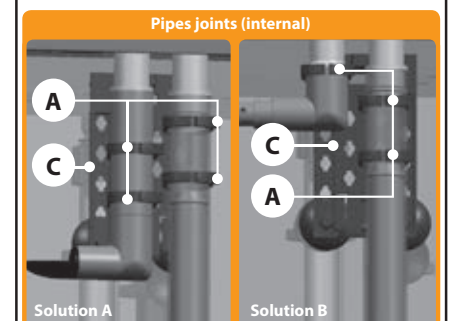
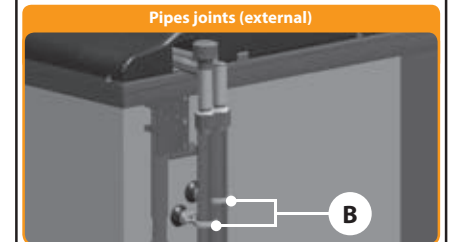
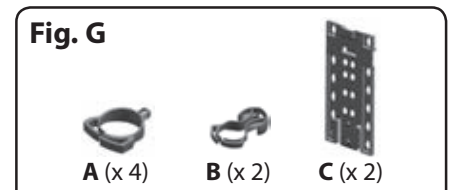
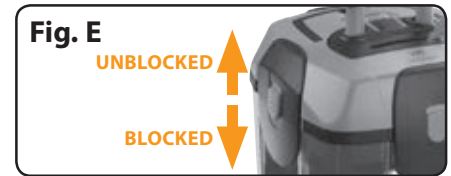
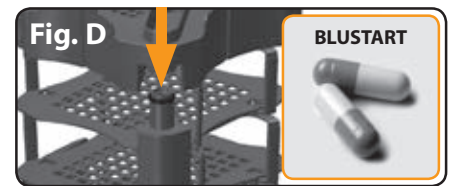
SUCTION TUBE

Position the "C" fittings with cap (**Fig. C/9**) on the aquarium and connect the semi-transparent tube towards the inside side of the aquarium; insert the height regulation tube (**Fig. C/6**), having already connected the grill on the bottom. Then regulate the position of the aquarium grill, keeping it approximately 3-4 cm from the bottom of the tank.

FLOW TUBES

Position the "C" fitting without cap (**Fig. C/3**) on the aquarium and connect the "L" fitting with or without extension (**Fig. C/2**), according to your needs. Then connect the spray-bar (**Fig. C/1**) or 360° rotary nozzle (**Fig. C/5**). Connect the flexible tubes to the filter tube fitting and the flow and suction unit, being careful not to invert the direction (**IN** from the filter towards the suction unit, **OUT** from the external filter towards the flow tube, **Fig. F**). After having inserted them into the seat, use the ferrules to fix them securely.

PLEASE NOTE: The flexible tubes are to be cut cleanly and at the correct length; they are then to be connected in a way that does not create horns (this also facilitates filter connection) or bending (which could compromise the water capacity).





Starting the filter (self-priming system)

- 1 Make sure that the valve-opening lever is in the closed position.
- 2 Open the cap located above the suction unit and pour a water cup (approximately 150 cc).
- 3 Re-close the cap carefully.
- 4 Open the filter valve using the appropriate lever. In this way, the system auto-starts.
- 5 Turn on the filter by connecting it to the electrical socket. Using the lever it is possible to regulate the flow and discharge of the water.

PLEASE NOTE:

Once the filter is started, make certain that there are no leaks. After a couple of hours of functioning, verify that the filter functions correctly and re-control that there are not any leaks. If the water does not flow in a satisfactory manner in the discharge tube, verify the connections of the tube and make certain that they are not obstructed or bent. By lightly shaking the filter it is possible to let out any air present inside.

Maintenance

Important: always unplug the filter from the electrical current before performing any maintenance.

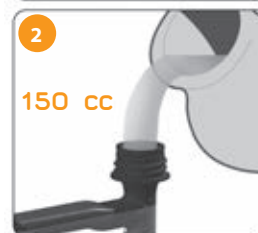
Filter maintenance must be performed regularly, at least every 3-4 weeks, and always when there is an evident reduction in the flow level.

To perform maintenance:

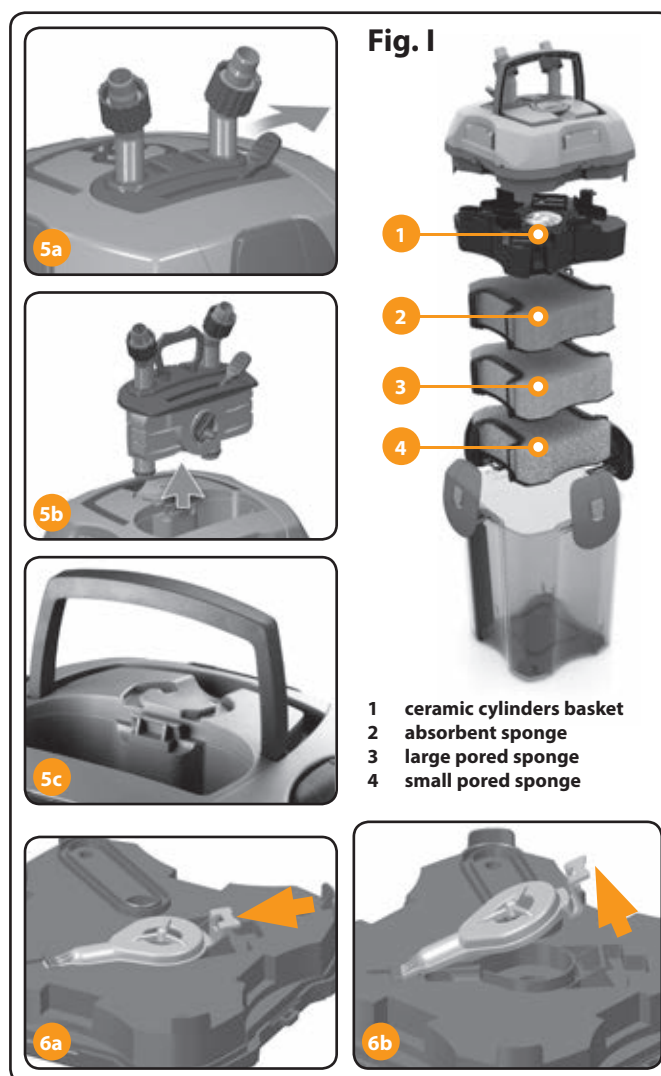
- close the valve using the lever (**Fig. I/5a**);
- disconnect the filter from electricity;
- after a few seconds, extract the valves group, using the release lever that facilitates the extraction (**Fig. I/5b**);
- transport the filter towards the area where you will clean it, using the solid handle (**Fig. I/5c**);
- open the filter by moving the hooks (remember to raise the safety buttons);
- extract the ceramic cylinders basket. (**PLEASE NOTE: it's not necessary to wash the biological filtration material, so they can retain their bacterial associations that keep them active**);
- Rinse the mechanical and absorption filtration sponges, extracting them through the apposite basket handles:
 - the mechanical filtration sponges must be replaced at least every 6 months; use only original BLUMEC replacements;
 - The effect of the absorbent sponge runs out in the arc of 2-3 weeks; therefore, we recommend to replace it with original BLUCLEAR replacement or leave it in the filter with mechanical functioning; in any case, it must be replaced every 6 months;
 - the absorbent sponge can also be replaced by other materials including activated carbon in grains BLUCARBON or zeolite BLUZEOLITE (it is advisable to position them with the provided bag);
 - during periods of special therapeutic treatments, the absorbent sponge must be removed from the filter (to avoid a reduction in their beneficiary effects). Once this period is over, we recommend that you insert a new one.
- Clean the rotor and the shaft of the filter pump at least every 3-4 months:
 - remove the pump cover, pushing the tab towards the fan and pulling it off completely (**Fig. I/6a-b**);
 - extract the rotor and shaft and clean them with a soft brush and tepid water (do not use detergent or abrasives);
 - reassemble the pump by inverting the process, making certain that the ceramic shaft is tightly in its seat in the socket (be careful when handling it, as it is very fragile).
- Reassemble the filter; be careful to re-insert the filtration materials in the correct order: blue large pored sponge on the bottom, blue small pored sponge in the middle (only for 1100 and 1500), sponge with activated carbon on next, basket with ceramic cylinders on top.
- Position the filter near the tank and re-insert the valves group into its seat. **Attention:** if there is some water on the internal cover, before setting it into the filter, let the water go out by simply tilting the cover.
- If you have proceeded correctly, simply opening the valves and connecting the electricity will start the filter. In case, for any reason, the filter does not start-up, perform the procedure indicated in paragraph "Starting the filter".

Other maintenance activities:

- **Seal:** to guarantee an always-perfect filter hold, we recommend replacing the seals at least once a year, with the appropriate Ferplast Kit.
- Periodically clean the suction grill, verifying that it is never blocked.
- Regularly re-clean the flexible tubes, so that algae or dirt do not reduce or impede the passage of water



SELF-PRIMING SYSTEM



Replacement parts and accessories

Every part of the BLUEXTREME filter is easily replaced. The replacement parts are available in the store where you purchased the filter. There are also numerous Ferplast accessories available, continuously updated, and useful for accommodating the aquarium for diverse needs. For the replacement of any component and to guarantee the maximum functioning and safety of your product, it is necessary to use only original Ferplast Parts. The assembly of unoriginal replacement parts renders the warranty null and void.

Warranty

Ferplast guarantees the BLUEXTREME filter and all of its components and accessories within the limits illustrated in the present clause and by the provisions of applicable law. The warranty is valid only for manufacturing defects and includes the repairs or replacement at no cost. The warranty is not valid for damage and/or defects caused by neglect, wear, use not conforming to the indications and warnings reported in this manual, accidents, mishandling, misuse, inappropriate repairs, and sales not accompanied by a sales receipt. The sponges, seals and filtration materials are excluded from the warranty.

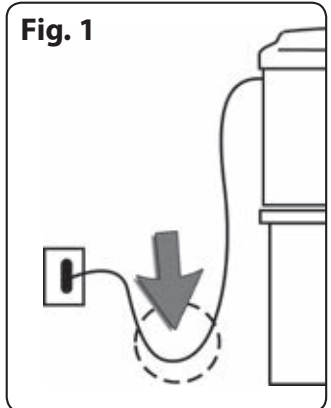
PREMESSA

Complimenti per aver scelto il filtro esterno BLUEXTREME di Ferplast, progettato per darvi grandi soddisfazioni e assicurare il pieno rispetto per la salute di pesci e piante, senza trascurare la vostra sicurezza, visto che la potente pompa integrata nel filtro è completamente sommersibile e ogni componente è omologato e conforme alle relative norme internazionali di sicurezza (CEI EN 60335-2-41).

Installarlo e gestirlo sarà facile e divertente. Grazie a BLUEXTREME bastano pochi minuti di manutenzione ogni mese per avere un acquario sempre in perfetta efficienza.

AVVERTENZE PRELIMINARI

- Assicuratevi che il voltaggio indicato sull'etichetta dell'apparecchio corrisponda a quello della rete di alimentazione.
- Il filtro è destinato all'uso interno.
- Assicuratevi che la vostra abitazione sia protetta a monte da un interruttore differenziale salvavita con corrente di intervento non superiore a 30mA.
- Scollegate l'apparecchio dalla rete di alimentazione prima di operare qualsiasi attività di manutenzione.
- Il cavo di alimentazione non può essere né riparato né sostituito: in caso di danneggiamento sostituite l'intero apparecchio.
- La temperatura del liquido non deve superare i 35° C.
- Quando collegate il filtro alla rete, assicuratevi che il punto più basso del cavo elettrico sia più basso della presa elettrica, in modo da evitare che eventuali gocce d'acqua presenti sul cavo possano accidentalmente entrare nella presa stessa (**Fig. 1**).
- Questo prodotto non è adatto ad essere utilizzato da bambini o persone inabili lasciate senza sorveglianza.
- Assicuratevi che il tubo di aspirazione sia sempre sommerso, in modo che il filtro non lavori mai a secco.



APERTURA DELLA CONFEZIONE

All'interno della confezione di un filtro BLUEXTREME troverete:

- n°1 filtro esterno BLUEXTREME, completo di pompa e materiali filtranti (spugne e canalicchi);
- n°2 tubi flessibili in PVC atossico da 1,5 o 2 metri (Ø 15/21 mm)
- n°2 (BLUEXTREME 700) o 4 (BLUEXTREME 1100-1500) capsule BLUSTART (speciali capsule che velocizzano il processo di maturazione del filtro);
- **KIT ACCESSORI** comprensivo di:
 - n°1 tubo di aspirazione allungabile comprensivo di griglia, tappo a tenuta per l'innesco del filtro e ghiera di fissaggio al tubo flessibile;
 - n°1 tubo di mandata comprensivo di prolunga, raccordo per spray-bar o ugello e ghiera di fissaggio al tubo flessibile;
 - n°1 spray-bar;
 - n°1 ugello orientabile;
 - n°6 clips lunghe con cricchetto;
 - n°4 clips corte con cricchetto;
 - n°10 ventose;
 - n°4 piedini di appoggio filtro;
 - n°2 supporti clip.



CARATTERISTICHE TECNICHE

BLUEXTREME	PORTATA	PREVALENZA	VOLUME INTERNO VASCA	VOLUME FILTRANTE BIOLOGICO	POTENZA	VOLUME VASCA ACQUARIO	DIMENSIONI	CESTELLI FILTRANTI
modello	L/h	m	L	L	W	L	cm	n°
700	700	1,3	5,5	1	12	< 150	22 x 22 - h 34	3
1100	1100	1,5	7	1	16	150 < l < 300	22 x 22 - h 40	4
1500	1500	2,2	11	2,5	32	< 500	26 x 26 - h 46	4



BLUEXTREME: scoprite tutte le sue grandi qualità

Maniglia filtro

Pratica maniglia per trasportare il filtro, dimensionata per sorreggerlo anche quando è pieno d'acqua (Fig. A/1).

Leva sgancio gruppo valvole

Pratica leva che facilita l'estrazione del gruppo valvole dal coperchio del filtro durante le operazioni di manutenzione (Fig. A/2).

N.B. Il gruppo valvole può essere estratto dal coperchio solo se tale leva si trova in posizione verticale

Leva apertura valvole (safety system)

Leva che consente l'apertura/chiusura delle valvole e la regolazione di portata (Fig. A/4).

Raccordi tubo con ghiera

Pratici raccordi orientabili a 360° (Fig. A/7) che consentono, tramite la ghiera, il fissaggio sicuro al tubo flessibile (Fig. A/3).

Gruppo valvole

Elemento facilmente estraibile dal coperchio grazie alla leva di sgancio, che contiene le valvole per l'intercettazione del flusso dell'acqua (Fig. A/10).

N.B. Quando estratto dal coperchio, uno speciale sistema blocca la leva di apertura valvole, in modo che non possa essere mossa accidentalmente e quindi comportare spiacevoli perdite d'acqua.

Ganci

4 robusti ganci per una sicura tenuta fra coperchio e vasca del filtro (Fig. A/5). Uno speciale tasto consente di bloccare il gancio, quando chiuso, in modo da evitare spiacevoli aperture accidentali (Fig. A/6).

N.B. Rosso: gancio bloccato; Verde: gancio sbloccato.

Guarnizione vasca

Speciale guarnizione in gomma EPDM, per garantire la massima tenuta fra coperchio e vasca (Fig. A/8).

Guarnizione pre-camera

Speciale guarnizione in EPDM espanso a celle chiuse che garantisce un flusso d'acqua dall'ingresso del filtro fino al fondo della vasca, senza alcun passaggio preferenziale (Fig. A/9).

Cestello cannolicchi

Pratico cestello contenente i cannolicchi per la filtrazione biologica.

Questa posizione ne ottimizza l'efficienza filtrante (Fig. B/1).

Tubo di passaggio acqua

Tubo integrato alla vasca che assicura un flusso diretto dell'acqua dall'acquario al fondo della vasca (Fig. B/2).

Cestelli materiali filtranti

Pratici cestelli contenenti spugne di varia porosità, facilmente adattabili ad altri tipi di materiali (Fig. B/3). Gli speciali manici regolabili assicurano che la loro posizione sia sempre ben aderente alla parete della vasca, in modo da evitare i passaggi preferenziali d'acqua attorno alle spugne (Fig. B/4). I materiali filtranti possono essere sostituiti con altri quali la lana di perlon BLUFIBRE (filtrazione meccanica), i carboni attivi in granuli BLUCARBON e la zeolite BLUZEOLITE (filtrazione adsorbente) o altri materiali, prestando attenzione a non intasare il filtro.

Tubo di aspirazione

Speciale tubo per l'aspirazione dell'acqua in acquario, regolabile in lunghezza (Fig. C/6). Il tubo comprende una griglia per evitare l'ingresso di foglie o pesci nel filtro (Fig. C/7) e un foro con tappo per l'innesco (Fig. C/8). La ghiera, inoltre, assicura un fissaggio sicuro al tubo flessibile.

Tubo flessibile

Speciale tubo flessibile in PVC di diametro 15/21 mm disponibile già pre-tagliato in 2 pezzi.

Fig. A

- 1 Maniglia filtro
- 2 Leva di sgancio valvole
- 3 Ghiera
- 4 Leva di apertura valvole e regolazione di portata
- 5 Gancio
- 6 Tastino di sicurezza chiusura gancio
- 7 Raccordi tubo per ingresso e uscita acqua
- 8 Guarnizione vasca
- 9 Guarnizione precamera
- 10 Gruppo valvole

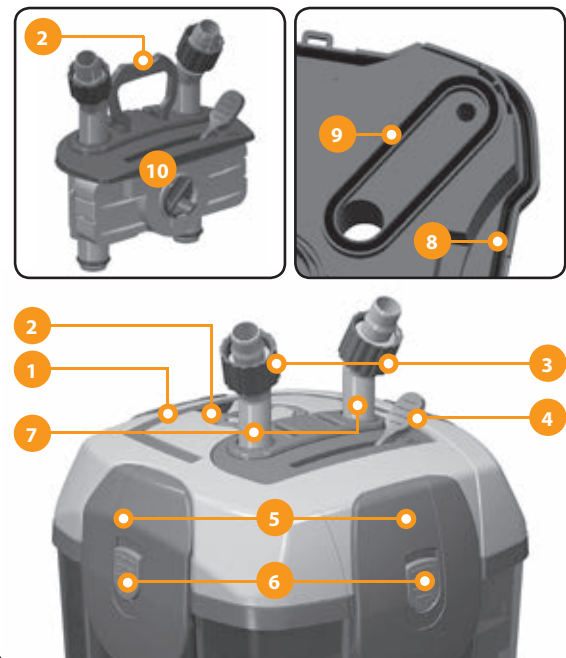
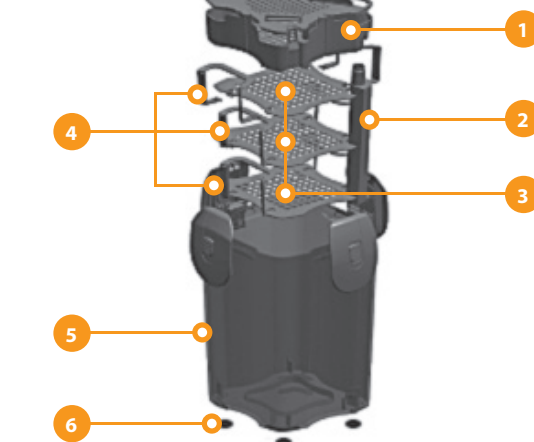


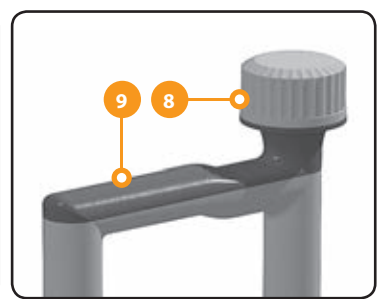
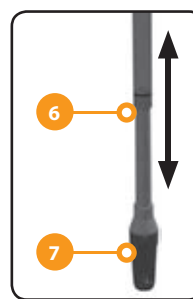
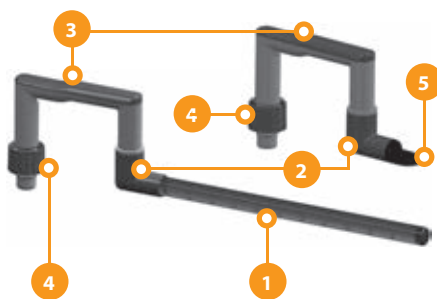
Fig. B



- 1 Cestello per cannolicchi con relativo coperchio
- 2 Tubo di passaggio acqua verso il fondo vasca
- 3 Cestelli materiali filtranti con spugne
- 4 Manici cestelli regolabili
- 5 Vasca
- 6 Piedini di appoggio

Fig. C

- 1 Spray-bar
- 2 Raccordo a L
- 3 Raccordo senza tappo
- 4 Ghiera per fissaggio a tubo flessibile
- 5 Ugello orientabile
- 6 Tubo di aspirazione regolabile
- 7 Griglia
- 8 Tappo a tenuta per innesco filtro
- 9 Raccordo con tappo



Allestimento dell'acquario

- Allestite l'acquario come consigliato dal vostro negoziante di fiducia o come indicato nel relativo manuale d'istruzione.
- In ogni caso, se state allestendo un acquario con pesci tropicali d'acqua dolce, vi consigliamo di stendere uniformemente sul fondo un sottile strato di fertilizzante.
- Riempite d'acqua la vasca (consigliamo di utilizzare il 50% d'acqua di rubinetto e il **50% di acqua demineralizzata** ad uso acquario, anche se questa percentuale può variare in funzione delle caratteristiche della vostra acqua di rubinetto).
- Impostate poi la temperatura del riscaldatore in base alle specie di pesci e piante scelte (ad esempio, per acquari tropicali di acqua dolce, la temperatura media è di circa 25-26°C).

Installate il filtro esterno come sotto indicato

(compreso l'inserimento delle pastiglie BLUSTART)

- Predisponete le piante nell'acquario dopo 24h dall'inserimento dell'acqua nella vasca, in modo che la temperatura ed i valori chimici dell'acqua si siano stabilizzati.
- Prima di inserire i pesci dovete aspettare 10-12 giorni, in modo che il filtro sia attivo. Vi consigliamo di verificare i parametri dell'acqua del vostro acquario con il misuratore MULTISTICK TESTER. Il vostro negoziante di fiducia potrà inoltre consigliarvi sui valori ideali di temperatura, durezza, ecc, in funzione delle specie di pesci e vegetali che avete deciso di allevare nel vostro acquario. E' opportuno ripetere il controllo con una certa frequenza. Nel momento in cui si inseriscono i pesci, aggiungete le pastiglie BLUSTART in dotazione al filtro (1 nel 700 e 2 nel 1100 e 1500) nel fondo della vasca del filtro (potrete introdurre facilmente attraverso il tubo, **Fig. D**).
- Durante il periodo necessario alla maturazione del filtro, somministrategli giornalmente una piccola dose di cibo secco: faciliterà la formazione della flora batterica.

Preparazione e installazione del filtro

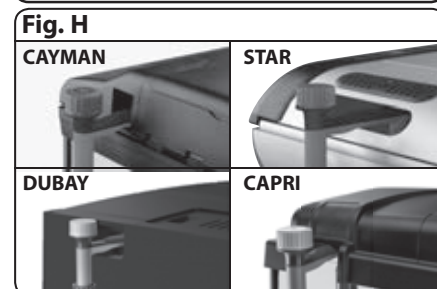
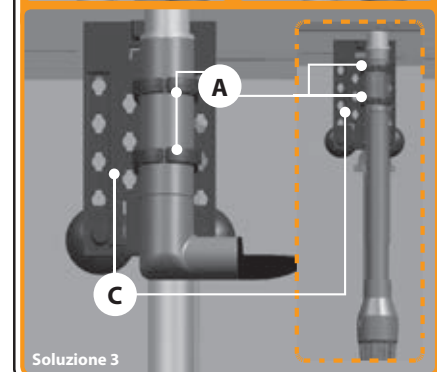
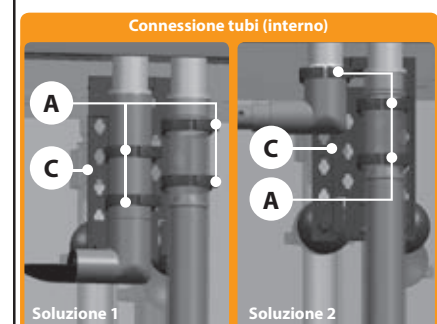
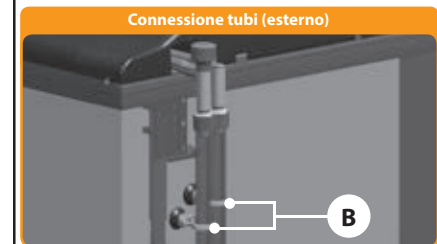
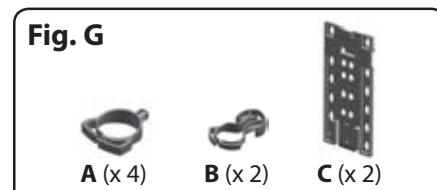
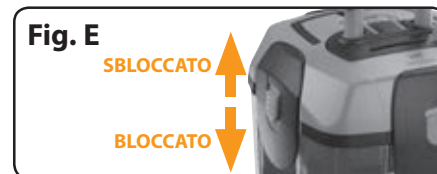
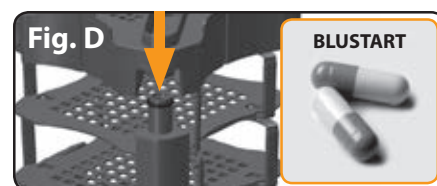
- Incollate al fondo della vasca del filtro i 4 piedini di appoggio (**Fig. B/6**).
- Posizionate il filtro BLUEXTREME al di sotto del livello del vostro acquario (se volete posizionarlo di fianco all'acquario, lo potrete fare dopo averlo già avviato). Tutti gli stand Ferplast sono predisposti per accogliere al meglio il filtro e facilitarne il passaggio dei tubi.
N.B. Dalla base di appoggio del filtro al punto di ingresso dei tubi nell'acquario non ci devono essere più di **160 cm**.
- Inserite nell'apposita sede il gruppo valvole; abbassate poi la leva di sgancio e verificate che la leva di regolazione sia in posizione **SBLOCCATO**.
- Estraiete il coperchio dalla vasca del filtro agendo sui ganci (ricordate che vanno prima alzati i 4 tasti di sicurezza, passando dal colore rosso al verde, **Fig. E**) e verificate il corretto posizionamento dei materiali filtranti; rilasciate 1 (700) o 2 (1100-1500) capsule BLUSTART sul fondo della vasca del filtro (potrete introdurre facilmente attraverso il tubo). Richiudete poi il filtro, posizionando il coperchio sopra la vasca, bloccandolo con i quattro ganci e chiudendo i tasti di sicurezza.
N.B. Non serrate un singolo gancio alla volta, ma a coppie di 2 (opposti uno all'altro).
Prestate attenzione al corretto montaggio e alla corretta orientazione del coperchio sulla vasca, in modo da garantire la continuità del passaggio d'acqua dall'ingresso all'uscita (**Fig. F**). Accertarsi, inoltre, che non vi siano tracce di sporco o corpi estranei sulle guarnizioni poste sotto il coperchio.
- Posizionate i tubi di mandata e di aspirazione nel vostro acquario, avendo cura di fissarli con gli opportuni accessori (**Fig. G**).
N.B. Gli acquari FERPLAST sono opportunamente predisposti per il passaggio dei tubi (**Fig. H**).
- nei modelli CAYMAN, DUBAI e CAPRI sono presenti sul retro del coperchio dei tasselli a rottura facilmente staccabili.
- nei modelli STAR le griglie di aerazione posteriori possono essere facilmente staccate per consentire il passaggio dei tubi.
- Vi consigliamo di posizionare i tubi di mandata e di aspirazione presso i due angoli posteriori, in posizioni contrapposte, in modo che non si creino passaggi diretti fra di esse. Detti passaggi comprometterebbero infatti il buon funzionamento del vostro acquario.
N.B. Nell'acquario CAYMAN 60, a causa del ridotto spazio a disposizione, non è possibile utilizzare i raccordi nell'angolo sinistro dell'acquario; consigliamo quindi di posizionare l'aspirazione nel lato destro e la mandata nel sinistro, entrando in quest'ultimo direttamente con il tubo flessibile.

TUBI DI ASPIRAZIONE

Posizionate il raccordo con tappo (**Fig. C/9**) sull'acquario e collegatevi il tubo semitrasparente verso il lato interno dell'acquario; infilate poi il tubo di regolazione altezza (**Fig. C/6**), avendone preventivamente collegato la griglia sul fondo. Regolate poi la posizione della griglia dell'acquario, in modo da tenerla a circa 3-4 cm dal fondo della vasca.

TUBI DI MANDATA

Posizionate il raccordo senza tappo (**Fig. C/3**) sull'acquario e collegate, a seconda delle vostre esigenze, il raccordo a 'L' con o senza la relativa prolunga (**Fig. C/2**). Potete poi collegare la spray-bar (**Fig. C/1**) o l'ugello orientabile a 360° (**Fig. C/5**). Collegate i tubi flessibili ai raccordi tubo del filtro e ai tubi di mandata e aspirazione, prestando attenzione a non invertirne il senso (**IN** del filtro verso i tubi di aspirazione, **OUT** del filtro esterno verso i tubi di mandata, **Fig. F**). Dopo averli inseriti nell'apposita sede, usate le ghiera per fissarli in sicurezza.
N.B. I tubi flessibili vanno tagliati in modo netto e della lunghezza corretta; vanno poi collegati in modo da non creare delle anse (questo accorgimento facilita anche l'innesco del filtro) o delle pieghe (comprometterebbero la portata d'acqua).





Avvio del filtro (sistema self-priming)

- 1 Assicuratevi che la leva di apertura valvole sia posta nella posizione di chiusura.
- 2 Aprite il tappo posto sopra l'unità di aspirazione e inseritevi un bicchiere d'acqua (circa 150 cc).
- 3 Richiudete per bene il tappo.
- 4 Aprite le valvole del filtro tramite l'apposita leva. In questo modo, il sistema si autoinnesca.
- 5 Accendete ora il filtro collegandolo alla presa elettrica. Agendo sulla leva è possibile regolare la portata di uscita dell'acqua.

N.B. Appena avviato il filtro, accertatevi che non vi siano perdite. Dopo un paio d'ore di funzionamento, verificate che il filtro funzioni correttamente e ricontrollate che non vi siano perdite. Se l'acqua non scorre in modo soddisfacente nel tubo di uscita, verificate i collegamenti del tubo ed accertatevi che non sia ostruito o piegato. Scuotendo leggermente il filtro è possibile far uscire eventuale aria presente all'interno.

Manutenzione

Importante: scollegate sempre il filtro dalla tensione elettrica prima di effettuare una qualsiasi manutenzione.

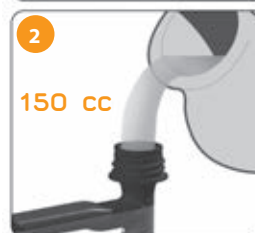
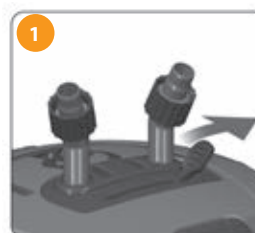
La manutenzione del filtro deve essere fatta con frequenza regolare, almeno ogni 3-4 settimane, e comunque in caso di evidente abbassamento del livello di portata.

Per effettuarla:

- chiudete le valvole agendo sulla leva (**Fig. I/5a**);
 - scollegate il filtro dalla tensione;
 - dopo qualche secondo, estraete il gruppo valvole agendo sulla leva di sgancio che ne faciliterà l'estrazione (**Fig. I/5b**);
 - trasportate il filtro verso la zona dove volete svolgere la pulizia, utilizzando la solida maniglia (**Fig. I/5c**);
 - aprite il filtro agendo sui ganci (vi ricordiamo di alzare i tasti di sicurezza);
 - estraete il cestello dei canalicchi (**N.B. Non bisogna lavare i materiali filtranti biologici in modo che si conservino le associazioni batteriche che li rendono attivi**);
 - risciacquate le spugne per la filtrazione meccanica e adsorbente, estraendole tramite gli opportuni manici:
 - le spugne per la filtrazione meccanica vanno sostituite almeno ogni 6 mesi; usate solamente i ricambi originali BLUMEC;
 - l'effetto della spugna adsorbente si esaurisce nell'arco di 2-3 settimane; vi consigliamo, perciò, di sostituirla con il ricambio originale BLUCLEAR o di lasciarla nel filtro con funzione meccanica; in ogni caso va cambiata ogni 6 mesi;
 - la spugna adsorbente può essere sostituita anche da altri materiali quali i carboni attivi in granuli BLUCARBON o la zeolite BLUZEOLITE (è consigliabile posizionarli con l'apposito sacchetto);
 - durante periodi di cura con terapeutici specifici, la spugna adsorbente va estratta dal filtro (in modo da non ridurre il loro effetto benefico). Trascorso questo periodo vi consigliamo di inserirne una di nuova.
 - Pulite almeno ogni 3-4 mesi il rotore e l'alberino della pompa del filtro:
 - togliete il coperchietto della pompa, spingendo la linguetta verso la girante e sfilandolo contemporaneamente (**Fig I 6a/b**);
 - estraete il rotore e l'alberino e pulite con uno spazzolino morbido e acqua tiepida (non utilizzate detersivi o abrasivi);
 - riassemblete la pompa agendo in modo inverso, assicurandovi che l'alberino in ceramica sia ben in sede nella rispettiva boccia (nel maneggiarlo prestate attenzione, in quanto è particolarmente fragile).
 - Riassemblete il filtro; prestate attenzione a reinserire nell'ordine corretto i materiali filtranti: spugna blu a maglia larga in basso, spugna blu a maglia stretta in mezzo (solo 1100 e 1500), spugna addizionata con carbone attivo in alto, cestello con canalicchi sopra.
 - Posizionate il filtro vicino alla vasca e reinserite il gruppo valvole nella rispettiva sede.
- Attenzione:** nel caso si fosse depositata dell'acqua all'interno del coperchio, prima di riposizionarlo sul filtro, fatela uscire inclinandolo semplicemente.
- Se avete agito correttamente, la semplice apertura delle valvole e la connessione alla rete elettrica, farà partire il filtro nuovamente. Nel caso, per qualche motivo, il filtro non dovesse reinnescarsi, rifate la procedura indicata nel paragrafo 'Avvio del filtro'.

Altre attività di manutenzione:

- **Guarnizioni:** al fine di garantire sempre una perfetta tenuta del filtro, vi consigliamo di sostituire le guarnizioni almeno annualmente, tramite l'apposito kit Ferplast.
- Pulite periodicamente la griglia di aspirazione, verificando che non sia mai occlusa.
- Ripulite regolarmente i tubi flessibili, in modo che alghe o sporcizia non possano in qualche modo ridurre od impedire il passaggio d'acqua.



SELF-PRIMING SYSTEM

Auto innesco

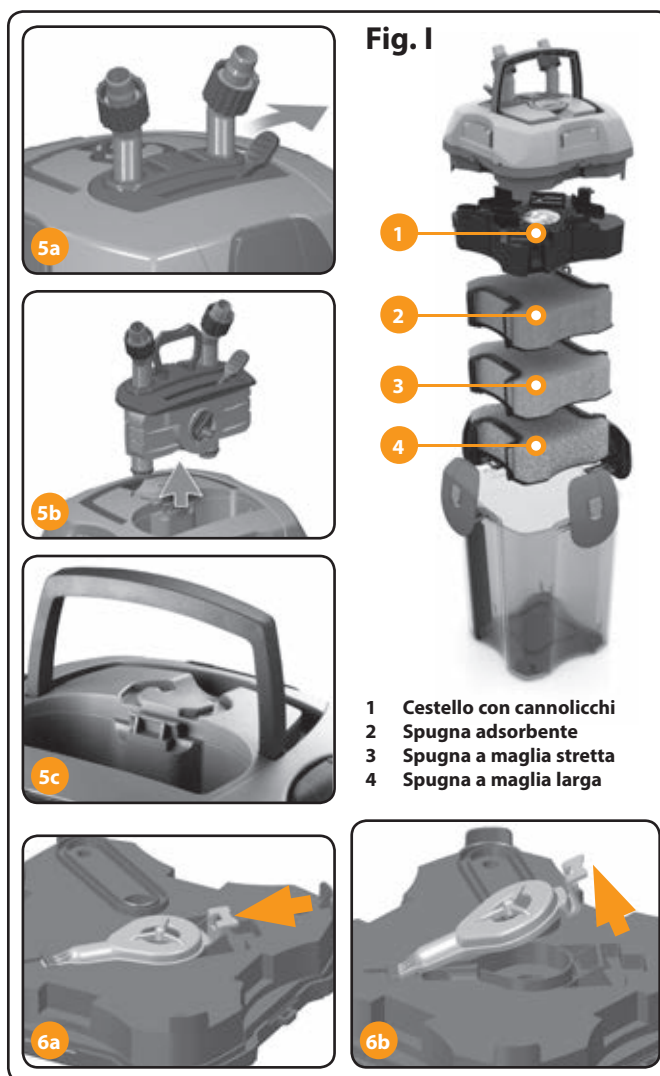
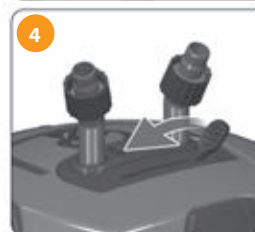


Fig. I

- 1 Cestello con canalicchi
- 2 Spugna adsorbente
- 3 Spugna a maglia stretta
- 4 Spugna a maglia larga

Ricambi ed accessori

Ogni parte del filtro BLUEXTREME è facilmente sostituibile. I ricambi sono disponibili presso il negozio dove l'avete acquistato. Sono inoltre disponibili numerosi accessori Ferplast, continuamente aggiornati, utili per adeguare l'acquario alle più svariate esigenze. Per la sostituzione di qualsiasi componente e garantire sempre la massima funzionalità e sicurezza del vostro prodotto, è necessario utilizzare solo ricambi originali Ferplast. Il montaggio di ricambi non originali rende nulla la garanzia.

Garanzia

Ferplast garantisce il filtro BLUEXTREME e tutti i suoi componenti ed accessori entro i limiti previsti dalla presente clausola e dalle disposizioni di legge vigenti. La garanzia è valida unicamente per difetti di fabbricazione e comprende la riparazione o la sostituzione gratuita. La garanzia decade per danni e/o difetti provocati da incuria, usura, uso non conforme alle indicazioni ed avvertenze riportate nel presente libretto, incidenti, manomissioni, uso improprio, riparazioni errate, acquisto non comprovato dallo scontrino fiscale. Sono esclusi dalla garanzie le spugne, le guarnizioni ed i materiali filtranti in genere.

BLUEXTREME 700/1100/1500

PREMISE

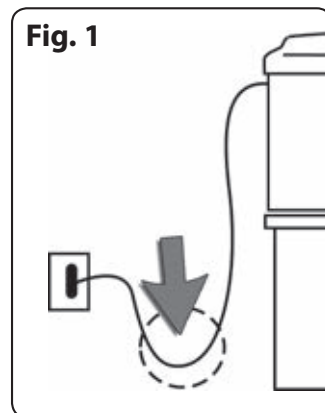
Tous nos compliments pour avoir choisi le filtre extérieur BLUEXTREME de Ferplast. Il a été conçu pour vous donner la plus grande satisfaction dans le respect total de la santé des poissons et des plantes, sans négliger votre sécurité, la puissante pompe intégrée dans le filtre étant entièrement submersible et chaque composant étant homologué et conforme aux normes internationales de sécurité correspondantes (CEI EN 60335-2-41).

L'installation et la gestion sont simples et amusantes. Grâce à BLUEXTREME, il suffit de dédier chaque mois quelques minutes à son entretien pour que votre aquarium soit toujours parfaitement efficace.

AVERTISSEMENTS PRELIMINAIRES

- Assurez-vous que le voltage indiqué sur l'étiquette de l'appareil correspond à celui du réseau d'alimentation.
- Le filtre est prévu pour être utilisé à l'intérieur.
- Assurez-vous que votre installation électrique est protégée en amont par un disjoncteur différentiel ayant une sensibilité non supérieure à 30 mA.
- Avant de procéder à toute intervention d'entretien, débranchez l'appareil du réseau d'alimentation.
- Le cordon d'alimentation ne peut être ni réparé ni remplacé : s'il est endommagé, remplacez tout l'appareil.
- La température de l'eau ne doit pas dépasser 35° C.
- Quand vous branchez le filtre au réseau électrique, assurez-vous que le point le plus bas du câble électrique est plus bas que la prise de courant, de façon à éviter que d'éventuelles gouttes d'eau présentes sur le câble puissent entrer accidentellement dans la prise (**Fig. 1**).
- Ce produit n'est pas prévu pour être utilisé par des enfants ou des personnes incapables sans qu'ils soient surveillés.
- Assurez-vous que le tuyau d'aspiration est toujours immergé, de façon à ce que le filtre ne fonctionne jamais à sec.

Fig. 1



OUVERTURE DE L'EMBALLAGE

Vous trouverez à l'intérieur de l'emballage du filtre BLUEXTREME:

- 1 filtre extérieur BLUEXTREME, avec pompe et matières filtrantes (mousses et cylindres) ;
- 2 tuyaux flexibles en PVC atoxique de 1,5 ou 2 mètres (Ø 15/21 mm) ;
- 2 (BLUEXTREME 700) ou 4 (BLUEXTREME 1100-1500) capsules BLUSTART (capsules spéciales qui rendent plus rapide le processus de maturation du filtre) ;
- **KIT D'ACCESSOIRES** avec :
 - 1 tuyau d'aspiration extensible muni de grille, bouchon étanche pour l'amorçage du filtre et bague de fixation au tuyau flexible ;
 - 1 tuyau de refoulement muni de rallonge, raccord pour tube diffuseur ou buse orientable et bague de fixation au tuyau flexible ;
 - 1 tube diffuseur ;
 - 1 buse orientable ;
 - 6 clips longs avec serrage automatique ;
 - 4 clips courts avec serrage automatique ;
 - 10 ventouses ;
 - 4 pieds d'appui filtre ;
 - 2 support de clips.



BLUEXTREME 700

BLUEXTREME 1100

DONNEES TECHNIQUES FILTRES BLUEXTREME

BLUEXTREME	DEBIT	HAUTEUR D'ELEVATION	VOLUME INTERNE BAC	VOLUME FILTRANT BIOLOGIQUE	PUISSANCE	VOLUME BAC AQUARIUM	DIMENSIONS	PANIER FILTRANTS
modèle	L/h	m	L	L	W	L	cm	n°
700	700	1,3	5,5	1	12	< 150	22 x 22 - h 34	3
1100	1100	1,5	7	1	16	150 < l < 300	22 x 22 - h 40	4
1500	1500	2,2	11	2,5	32	< 500	26 x 26 - h 46	4



BLUEXTREME: découvrez ses atouts

Poignée filtre

Poignée pour transporter le filtre, dimensionnée pour le soutenir même quand il est plein d'eau (Fig. A/1).

Levier débloqué vanes

Levier qui facilite l'extraction du groupe vanes du couvercle du filtre pendant les opérations d'entretien (Fig. A/2).

N.B. : le groupe vanes peut être extrait du couvercle uniquement quand ce levier est en position verticale.

Levier ouverture vanes (système de sécurité)

Levier qui permet l'ouverture/fermeture des vanes et le réglage du débit (Fig. A/4).

Raccords tuyau avec bague

Raccords orientables à 360° (Fig. A/7), qui assurent, grâce à la bague, une fixation sûre au tuyau flexible (Fig. A/3).

Groupe vanes

Élément facile à extraire depuis le couvercle grâce au levier de déblocage ; il contient les vanes pour l'arrêt du flux de l'eau (Fig. A/10).

N.B. : quand il est extrait du couvercle, un système spécial bloque le levier d'ouverture vanes de façon à ce qu'il ne puisse pas être déplacé accidentellement, en provoquant des fuites d'eau.

Crochets

4 solides crochets pour une étanchéité sûre entre le couvercle et le bac du filtre (Fig. A/5). Un curseur spécial permet de bloquer le crochet, quand il est fermé, de façon à éviter l'ouverture accidentelle (Fig. A/6).

N.B. : Rouge : crochet verrouillé ; Vert : crochet débloqué

Joint bac

Joint spécial en caoutchouc EPDM, pour garantir une étanchéité optimale entre le couvercle et le bac (Figure A/8)

Joint pré-chambre

joint spécial en EPDM expansé à cellules fermées qui garantit un flux d'eau de l'entrée du filtre jusqu'au fond du bac, sans aucun passage préférentiel (Fig. A/9).

Panier cylindres

Panier qui contient les cylindres pour la filtration biologique.

Sa position optimise l'efficacité de filtration (Fig. B/1).

Tuyau de passage de l'eau

Tuyau incorporé dans le bac qui assure un flux direct de l'eau de l'aquarium vers le fond du bac (Fig. B/2).

Paniers matières filtrantes

Paniers qui contiennent des mousses de différentes porosités, facilement adaptables à d'autres types de matières (Fig. B/3). Les poignées réglables spéciales assurent que leur position soit toujours adhérente à la paroi du bac, de façon à éviter les passages préférentiels d'eau autour des mousses (Fig. B/4). Les matières filtrantes peuvent être remplacées par d'autres matières comme la laine de perlon BLUFIBRE (filtration mécanique), le charbon actif en granules BLUCARBON et la zéolithe BLUZEOLITE (filtration adsorbante) ou d'autres matières, en veillant toujours à ne pas obstruer le filtre.

Tuyau d'aspiration

Tuyau spécial pour l'aspiration de l'eau dans l'aquarium, réglable en longueur (Fig. C/6). Le tuyau est muni d'une grille pour éviter l'entrée de feuilles ou poissons dans le filtre (Fig. C/7) et d'un bouchon pour l'amorçage (Fig. C/8). De plus, la bague assure une fixation sûre au tuyau flexible.

Tuyau flexible

Tuyau flexible spécial en PVC de diamètre 15/21 mm, disponible déjà prédécoupé en 2 parties de 2 mètres.

Fig. A

- Poignée filtre
- Levier débloqué vanes
- Bagues
- Levier ouverture vanes et réglage du débit
- Crochet
- Curseur de sécurité fermeture crochet
- Raccord tuyau d'entrée et sortie eau
- Joint bac
- Joint pré-chambre
- Groupe vanes

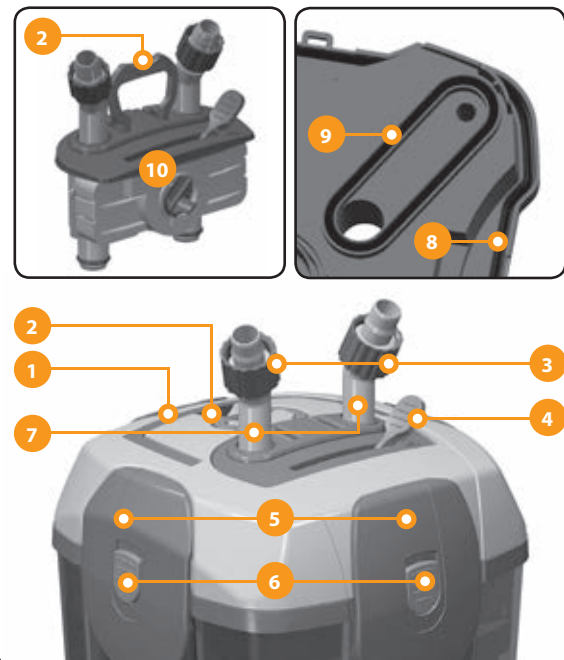


Fig. B

- Panier pour cylindres avec couvercle
- Tuyau de passage eau vers le fond du bac
- Paniers matériel filtrant avec mousses
- Poignées paniers réglables
- Bac
- Pieds d'appui

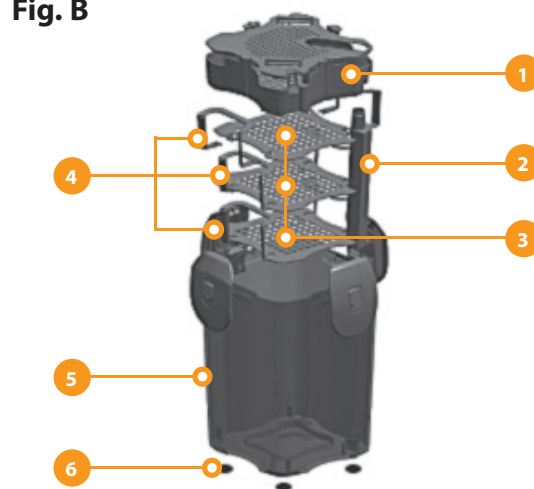
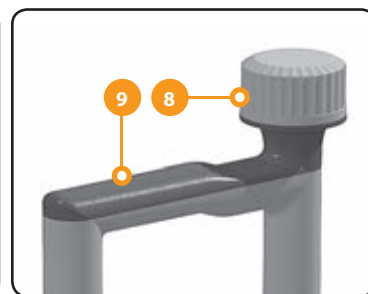
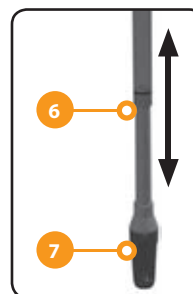
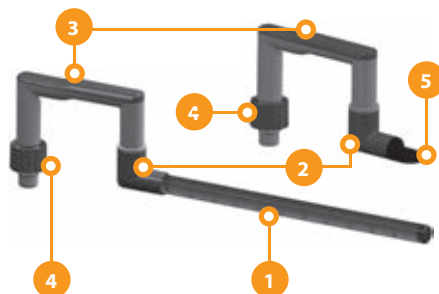


Fig. C

- Spray-bar
- Raccord en L
- Raccord sans bouchon
- Bague de fixation au tuyau flexible
- Buse orientable
- Tuyau d'aspiration réglable
- Grille
- Bouchon étanche d'amorçage filtre
- Raccord avec bouchon



Agencement de l'aquarium

- Agencez l'aquarium en suivant les conseils de votre revendeur ou comme cela est indiqué dans le manuel d'instructions correspondant.
- Dans tous les cas, si vous agencez un aquarium avec des poissons tropicaux d'eau douce, nous vous conseillons d'appliquer sur le fond une couche mince et uniforme de fertilisant.
- Remplissez le bac avec de l'eau (nous vous conseillons d'utiliser 50% d'eau de robinet et **50% d'eau déminéralisée** pour aquariums, ce pourcentage pouvant varier en fonction des caractéristiques de l'eau du robinet).
- Réglez ensuite la température du réchauffeur en fonction des espèces de poissons et plantes choisies (par exemple, pour les aquariums tropicaux d'eau douce, la température moyenne est d'environ 25-26 °C).

Installez le filtre extérieur de la façon indiquée ci-après:
(y compris l'introduction des capsules BLUSTART)

- Disposez les plantes dans l'aquarium 24 heures après avoir versé l'eau dans le bac, de façon à ce que la température soit stabilisée.
- Avant d'introduire les poissons, il faut attendre 10-12 jours, de façon à ce que le filtre soit actif. Nous vous conseillons de vérifier les paramètres de l'eau de votre aquarium avec les tests de mesure MULTISTICK TESTER. Vous pouvez également vous renseigner auprès de votre revendeur sur les valeurs idéales de température, dureté, etc., en fonction des espèces de poissons et végétaux que vous avez décidé d'élever dans votre aquarium. Il est conseillé d'effectuer ce contrôle plutôt fréquemment. Quand vous mettez les poissons dans l'aquarium, ajoutez les capsules BLUSTART fournies avec le filtre (1 dans le 700 et 2 dans le 1100 et le 1500) dans le fond du bac du filtre (vous pouvez les introduire aisément à travers le tuyau, **Fig. D**).
- Pendant la période nécessaire à la maturation du filtre, administrez tous les jours une petite dose d'aliments secs : cela facilitera la formation de la flore bactérienne.

Préparation et installation du filtre

- Collez les 4 pieds d'appui au fond du bac du filtre (**Fig. B/6**).
- Positionnez le filtre BLUEXTREME au-dessous du niveau de votre aquarium (si vous désirez le positionner à côté de l'aquarium, vous pouvez le faire après l'avoir activé). Tous les supports Ferplast sont prévus pour accueillir le filtre et faciliter le passage des tuyaux.
N.B. : il ne doit pas y avoir plus de **160 cm** entre la base d'appui du filtre et le point d'entrée des tuyaux dans l'aquarium.
- Insérez le groupe vannes dans le logement prévu à cet effet ; ensuite, baissez le levier de déblocage et vérifiez que le levier de réglage est sur la position **DEBLOQUE**.
- Extrayez le couvercle du bac du filtre en agissant sur les crochets (rappelez-vous qu'il faut d'abord soulever les 4 curseurs de sécurité, en passant de rouge à vert, **Fig. E**). Vérifiez que les matières filtrantes sont positionnées correctement ; mettez 1 (700) ou 2 (1100-1500) capsules BLUSTART sur le fond du bac du filtre (vous pouvez les introduire aisément à travers le tuyau). Refermez le filtre, en positionnant le couvercle sur le bac, en le bloquant avec les quatre crochets et en fermant les curseurs de sécurité.
N.B. : ne serrez pas les crochets un par un, mais par deux (opposés l'un par rapport à l'autre).
Veillez à monter et orienter correctement le couvercle sur le bac en l'orientant de façon à garantir la continuité du passage d'eau de l'entrée vers la sortie (**Fig. F**). Assurez-vous également qu'il n'y a pas de traces de saleté ou des corps étrangers sur les joints situés sous le couvercle.
- Positionner les tubes d'aspiration et refolement dans votre aquarium en vous assurant qu'ils soient bien fixés avec les accessoires adéquats (**Fig. G**)
N.B. : les aquariums FERPLAST sont expressément prévus pour le passage des tuyaux (**Fig. H**).
- Dans les modèles CAYMAN, DUBAI et CAPRI des opercules défonçables sont prévus à l'arrière du couvercle.
- Dans les modèles STAR, les grilles d'aération postérieures peuvent être facilement détachées pour permettre le passage des tuyaux.
- Nous vous conseillons de positionner les unités de refolement et d'aspiration près des angles postérieurs, en position opposée, de façon à ce qu'il n'y ait pas de passages directs entre les modules. Ces passages compromettent en effet le fonctionnement correct de votre aquarium.
N.B. : dans l'aquarium CAYMAN 60, à cause de l'espace à disposition limité, il n'est pas possible d'utiliser les raccords en 'C' dans l'angle gauche de l'aquarium ; nous vous conseillons donc de positionner l'aspiration du côté droit et le refolement du côté gauche, en entrant directement avec le tuyau flexible dans ce dernier module.

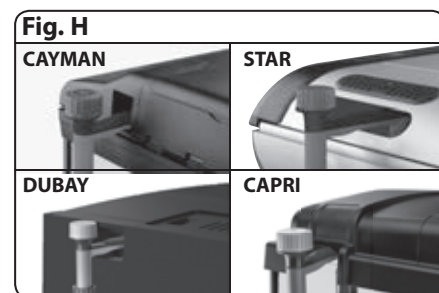
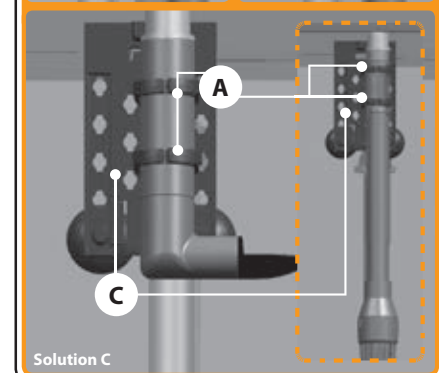
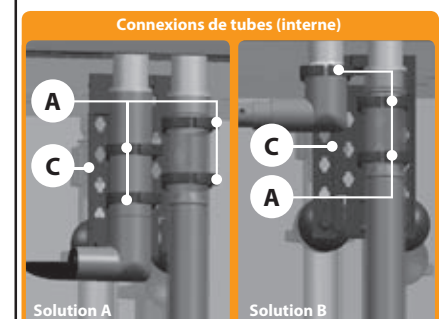
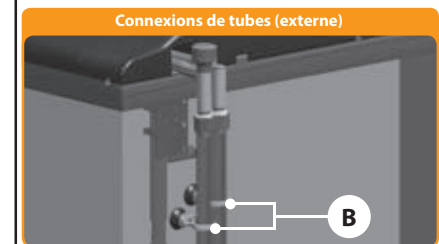
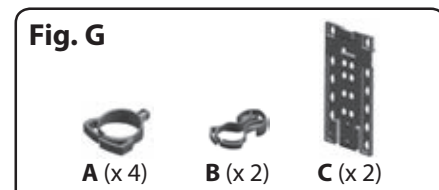
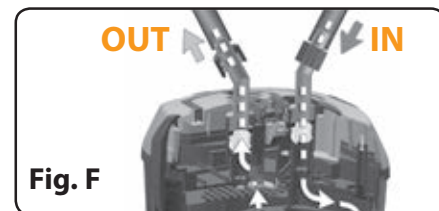
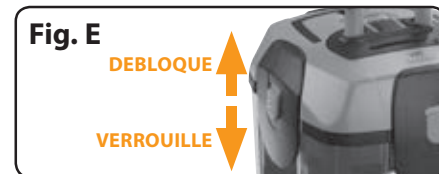
TUYAU D'ASPIRATION

Positionnez le raccord en 'C' avec bouchon (**Fig. C/9**) sur l'aquarium et raccordez à celui-ci le tuyau semi-transparent vers le côté interne de l'aquarium ; insérez ensuite le tuyau de réglage hauteur (**Fig. C/6**), après avoir appliqué sa grille sur le fond. Réglez enfin la position de la grille de l'aquarium, de façon à ce qu'elle se trouve à environ 3-4 cm du fond du bac.

TUYAU DE REFOULEMENT

Positionnez le raccord en 'C' sans bouchon (**Fig. C/3**), sur l'aquarium et raccordez, selon vos exigences, le raccord en 'L' avec ou sans la rallonge correspondante (**Fig. C/2**). Ensuite, vous pouvez raccorder soit le tuyau diffuseur (**Fig. C/1**) soit la buse orientable à 360° (**Fig. C/5**). Raccordez les tuyaux flexibles aux raccords tuyau du filtre et aux unités de refolement et aspiration, en veillant à ne pas inverser la direction (**IN** du filtre vers l'unité d'aspiration, **OUT** du filtre extérieur vers l'unité de refolement, **Fig. F**). Après avoir inséré les tuyaux dans le siège prévu à cet effet, utilisez les bagues pour les serrer en sécurité.

N.B. : les tuyaux flexibles doivent être coupés de façon nette et à la bonne longueur ; ils doivent ensuite être raccordés de façon à ne pas créer des anses (cette précaution facilite l'amorçage du filtre) ou des plis (qui réduiraient le débit d'eau).





Mise en service du filtre (système self-priming)

- 1 Assurez-vous que le levier d'ouverture vannes est placé sur la position de fermeture.
- 2 Ouvrez le bouchon situé sur l'unité d'aspiration et versez-y un verre d'eau (environ 150 cc).
- 3 Refermez correctement le bouchon et ouvrez les vannes du filtre au moyen du levier prévu à cet effet : on obtient ainsi l'autoamorçage du système.
- 4 À ce point, mettez en marche le filtre en le branchant à la prise de courant.
- 5 Il est possible de régler le débit de sortie de l'eau en agissant sur le levier.

N.B. : après avoir mis en marche le filtre, assurez-vous qu'il n'y a pas de fuites. Après environ deux heures de fonctionnement, vérifiez que le filtre fonctionne correctement et contrôlez de nouveau qu'il n'y a pas de fuites. Si l'eau ne circule pas correctement dans le tuyau de sortie, vérifiez les raccordements du tuyau et contrôlez qu'il n'est pas obstrué ou plié. Vous pouvez faire sortir l'air éventuellement présent à l'intérieur du filtre en secouant légèrement celui-ci.

Entretien

Important: débranchez toujours le filtre du réseau électrique avant de procéder à toute opération d'entretien.

L'entretien du filtre doit être exécuté régulièrement, au moins toutes les 3-4 semaines et, dans tous les cas, quand vous constatez une diminution évidente du débit.

Pour ce faire :

- fermez les vannes en agissant sur le levier (**Fig. I/5a**) ;
- débranchez le filtre du réseau électrique ;
- après quelques secondes, extrayez le groupe vannes en agissant sur le levier de déblocage pour faciliter l'extraction (**Fig. I/5b**) ;
- transportez le filtre vers l'endroit où vous effectuerez le nettoyage en le saisissant par sa poignée (**Fig. I/5c**) ;
- ouvrez le filtre en agissant sur les crochets (n'oubliez pas de soulever les curseurs de sécurité) ;
- extrayez le panier des cylindres (**N.B. : ne lavez pas les matières filtrantes biologiques, de façon à préserver les associations bactériennes qui les rendent actives**) ;
- rincez les mousses pour la filtration mécanique et adsorbante, en utilisant les poignées des paniers pour les extraire :
 - les mousses pour la filtration mécanique doivent être remplacées au moins tous les 6 mois ; utilisez uniquement les pièces de rechange BLUMEC ;
 - l'effet de la mousse adsorbante dure 2-3 semaines; nous vous conseillons donc de la remplacer par la pièce de rechange d'origine BLUCLEAR, sinon laissez-la dans le filtre où elle exerce une fonction mécanique ; dans tous les cas, remplacez-la tous les 6 mois ;
 - la mousse adsorbante peut également être remplacée par d'autres matières comme le charbon actif en granulés BLUCARBON ou la zéolithe BLUZEOLITE (il est conseillé de les mettre en place avec le sachet prévu à cet effet) ;
 - en cas de périodes de soin des poissons avec des produits thérapeutiques spécifiques, il faut retirer la mousse adsorbante du filtre (afin de ne pas réduire l'effet du produit). Une fois cette période terminée, nous vous conseillons d'insérer une mousse neuve.
- nettoyez le rotor et l'arbre de la pompe du filtre au moins tous les 3-4 mois :
 - ôtez le couvercle de la pompe, en poussant la languette vers la roue et en extrayant en même temps le couvercle (**Fig. I/6a-b**) ;
 - extrayez le rotor et l'arbre et nettoyez-les avec une brosse souple et de l'eau tiède (n'utilisez pas de détergents ou de produits abrasifs) ;
 - remontez la pompe en procédant dans l'ordre contraire, en veillant à ce que l'arbre en céramique soit positionné correctement dans la bague correspondante (faites attention quand vous le manipulez, car il est très fragile).
- Remontez le filtre ; veillez à insérer les matières filtrantes dans l'ordre correct : mousse bleue à pores larges en bas, mousse bleue à pores fins au milieu (uniq. 1100 et 1500), mousse avec charbon actif en haut, panier avec cylindres au-dessus.
- Positionnez le filtre près du bac et insérez le groupe vannes dans son siège. **Attention :** s'il y a de l'eau à l'intérieur du couvercle, enlevez-la en l'inclinant avant de le repositionner sur le filtre.
- Si vous avez procédé correctement, il suffit d'ouvrir les vannes et de brancher le filtre au réseau électrique pour que celui-ci redémarre. Si, pour une raison quelconque, le filtre ne s'amorce pas, répétez la procédure indiquée dans le paragraphe « Mise en service du filtre ».

Autres opérations d'entretien :

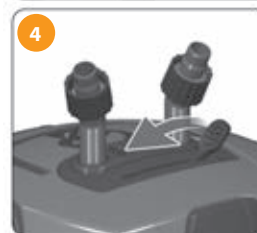
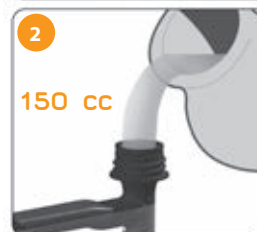
- **Joints:** afin de toujours garantir la parfaite étanchéité du filtre, nous vous conseillons de remplacer les joints au moins une fois par an, en utilisant le kit Ferplast prévu à cet effet.
- Nettoyez périodiquement la grille d'aspiration, en contrôlant qu'elle n'est pas obstruée.
- Nettoyez régulièrement les tuyaux flexibles, de façon à éviter que des algues ou de la saleté puissent réduire ou empêcher le passage de l'eau.

Pièces de rechange et accessoires

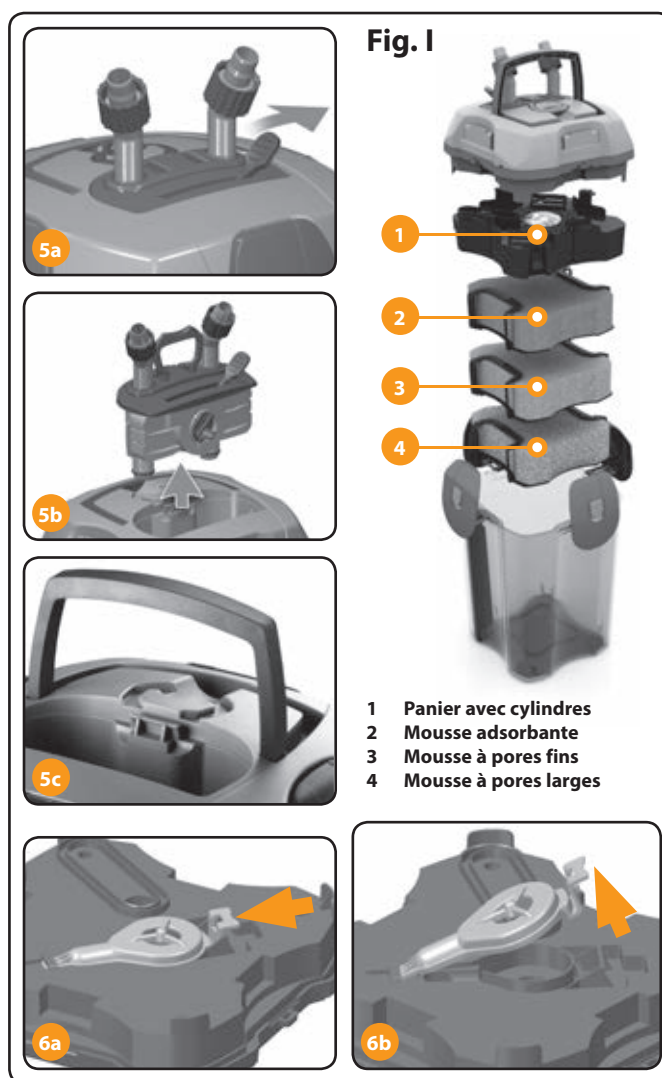
Chaque pièce du filtre BLUEXTREME peut être facilement remplacée. Les pièces de rechange sont disponibles dans le magasin où vous avez acheté le filtre. De nombreux accessoires Ferplast, continuellement améliorés et utiles pour adapter l'aquarium aux besoins les plus divers, sont également disponibles. Pour le remplacement des composants et pour toujours garantir un fonctionnement et une sécurité optimaux de votre produit, il faut utiliser uniquement des pièces de rechange d'origine Ferplast. Le montage de pièces de rechange non d'origine entraîne la perte de la garantie.

Garantie

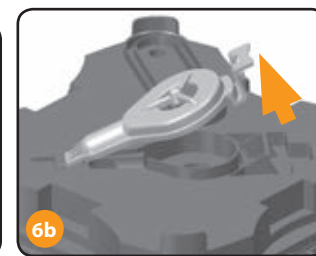
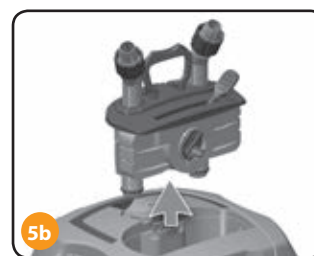
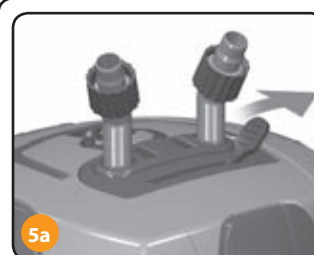
Ferplast garantit le filtre BLUEXTREME et tous ses composants et accessoires dans les limites prévues dans la clause ci-après et par les dispositions de loi en vigueur. La garantie couvre uniquement les défauts de fabrication et comprend la réparation ou le remplacement gratuit. La garantie déchoit en cas de dommages et/ou de défauts provoqués par négligence, usure, utilisation non-conforme aux indications et avertissements reportés dans ce manuel, accidents, altérations, utilisation incorrecte, réparations erronées, achat non prouvé par document fiscal. Les mousses, les joints et les matières filtrantes en général sont exclus de la garantie.



SELF-PRIMING SYSTEM Amorçage automatique



- 1 Panier avec cylindres
- 2 Mousse adsorbante
- 3 Mousse à pores fins
- 4 Mousse à pores larges



BLUEXTREME 700/1100/1500

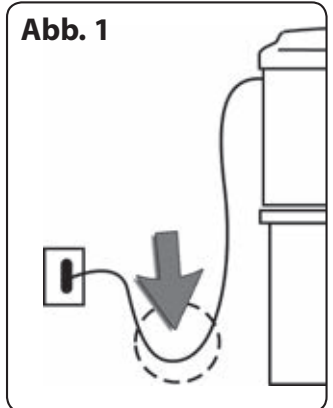
VORBEMERKUNG

Wir gratulieren Ihnen zur Auswahl des Außenfilters BLUEXTREME von Ferplast, dessen Ausführung Ihnen große Zufriedenheit, bei voller Aufmerksamkeit auf die Gesundheit der Fische und Pflanzen garantieren wird, ohne dabei Ihre Sicherheit zu vernachlässigen. Die leistungsstarke, im Filter integrierte, Pumpe ist vollkommen tauchfähig. Alle Bestandteile sind genehmigt und entsprechen den einschlägigen internationalen Sicherheitsnormen (ICE EN 60335-2-41).

Die Installation und der Umgang sind einfach und Sie werden Ihren Spaß dabei haben. Dank des Filters BLUEXTREME genügen wenige Minuten zur monatlichen Wartung, um Ihr Aquarium immer funktionstüchtig zu erhalten.

VORBEREITENDE HINWEISE

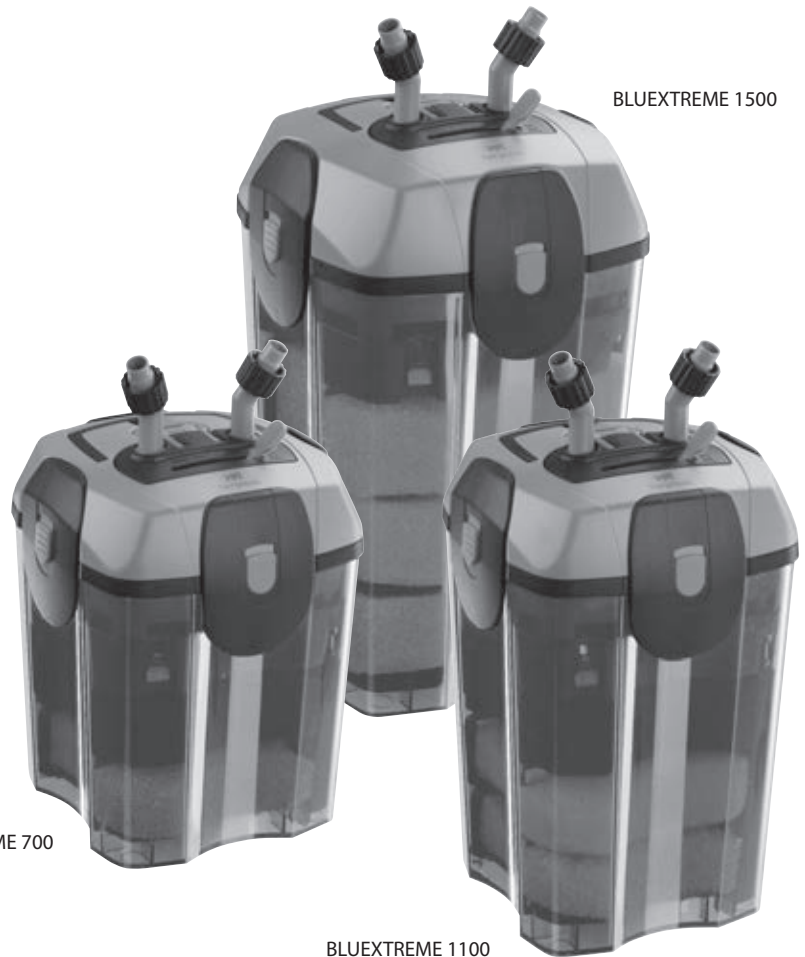
- Versichern Sie sich, dass die auf dem Etikett des Geräts angezeigte Spannung mit der Netzspannung übereinstimmt.
- Der Filter ist zur Innenanwendung bestimmt.
- Versichern Sie sich, dass Ihre Wohnung mit einem Fehlerstromschutzschalter mit Ansprechspannung von nicht höher als 30mA ausgestattet ist.
- Vor jedem Wartungseingriff muss der Netzstecker des Geräts aus der Steckdose gezogen werden.
- Das Netzkabel darf weder repariert noch ausgewechselt werden. Bei Kabelschäden muss das ganze Gerät ausgewechselt werden.
- Die Flüssigkeitstemperatur darf 35° C nicht überschreiten.
- Beim Netzanschluss des Filters, versichern Sie sich, dass das Netzkabel tiefer als die Steckdose liegt, um den zufälligen Eintritt von Wassertropfen in die Steckdose zu vermeiden, die sich eventuell auf dem Netzkabel angesammelt haben könnten (**Abb. 1**)
- Das Gerät darf nicht von Kindern oder unfähigen Personen ohne Beaufsichtigung benutzt werden.
- Versichern Sie sich, dass das biegsame Ansaugrohr immer unter Wasser liegt, damit der Filter nie trocken ohne Wasser arbeitet.



ÖFFNUNG DER VERPACKUNG

Die Verpackung des Filters BLUEXTREME beinhaltet:

- 1 Außenfilter BLUEXTREME, komplett mit Pumpe und Filtermaterialien (Schwämme und Keramikringe);
- 2 biegsame, atoxische PVC-Rohre, 1,5 oder 2 m lang (Ø 15/21 mm),
- 2 (BLUEXTREME 700) oder 4 (BLUEXTREME 1100-1500) BLUSTART Kapseln (spezielle Kapseln die den Reifungsprozess des Filters beschleunigen);
- **ZUBEHÖR-KIT** mit folgendem Inhalt:
 - 1 biegsames, verlängerbares Ansaugrohr mit Sauggitter, dichter Stöpsel zur Filterauslösung und zur Rohrbefestigung;
 - 1 biegsames Auslassrohr mit Verlängerung, Fitting für Spray-Bar oder Düse und Gewindingring zur Rohrbefestigung;
 - 1 Spray-Bar;
 - 1 verstellbare Düse;
 - 6 lange Klammern mit Schelle;
 - 4 kurze Klammern mit Schelle;
 - 10 Saugnäpfe;
 - 4 Filter Stützfüße;
 - 2 Halterung für Klammer.



TECHNISCHE DATEN DER FILTER BLUEXTREME

BLUEXTREME	WASSERDURCHFLUSSMENGE	FÖRDERHÖHE	INNENVOLUMEN DES FILTERBEÄLTERS	BIOLOGISCHES FILTERVOLUMEN	LEISTUNG	VOLUMEN DES AQUARIUM-BECKENS	ABMESSUNGEN	FILTERKÖRBE
modell	L/h	m	L	L	W	L	cm	n°
700	700	1,3	5,5	1	12	< 150	22 x 22 - h 34	3
1100	1100	1,5	7	1	16	150 < I < 300	22 x 22 - h 40	4
1500	1500	2,2	11	2,5	32	< 500	26 x 26 - h 46	4



BLUEXTREME: entdecken Sie seine große Qualität

Filtergriff

Praktischer Griff zum Filtertransport, der Filtergröße entsprechend, um diesen auch zu tragen, wenn er voll Wasser ist (Abb. A/1).

Entriegelungshebel der Ventilgruppe

Praktischer Hebel zur leichten Herausnahme der Ventilgruppe aus dem Filterdeckel während der Wartungsarbeiten (Abb. A/2).

ANMERKUNG: die Ventilgruppe kann nur aus dem Filterdeckel genommen werden, wenn sich der Entriegelungshebel in senkrechter Stellung befindet.

Hebel zur Ventilöffnung (safety system)

Der Hebel erlaubt die Öffnung / den Verschluss der Ventile und die Regulierung der Wasserdurchflussmenge (Abb. A/4).

Fitting mit Gewinding

Praktische bis 360° verstellbare Fittings (Abb. A/7), die durch das Gewinde, eine sichere Befestigung am Rohr ermöglichen (Abb. A/3).

Ventilgruppe

Mittels des Entriegelungshebels leicht aus dem Deckel herausnehmbares Teil, das die Ventile zum Auffangen des Wasserdurchflusses enthält (Abb. A/10).

ANMERKUNG: nach der Entnahme der Ventilgruppe, sperrt ein spezielles System den Hebel der Ventilöffnung, damit dieser nicht zufällig bewegt wird und unangenehme Wasserverluste verursacht werden.

Haken

4 robuste Haken für einen sicheren Halt zwischen Deckel und Filterbehälter (Abb. A/5). Mit einer speziellen Sicherheitstaste kann der geschlossene Haken gesperrt werden, um zufällige Öffnungen zu verhindern (Abb. A/4).

ANMERKUNG: Rot – Haken gesperrt; Grün – Haken entriegelt.

Dichtung des Filterbehälters

Spezielle EPDM Gummidichtung, zur maximalen Dichtung zwischen Filterdeckel und Filterbehälter (Abb. A/8).

Vorkammer Dichtung

Spezielle EPDM Schaumgummidichtung, die den Wasserdurchfluss vom Filtereingang bis auf den Boden des Filterbehälters ohne Sonderdurchfluss garantiert (Abb. A/9).

Korb für Keramikringe

Praktischer Korb, der die Keramikringe zur biologischen Filtration enthält.
Diese Position optimiert die Leistungsfähigkeit des Filters (Abb. B/1).

Wasserdurchflussrohr

Im Filterbehälter integriertes Wasserrohr, das den direkten Wasserdurchfluss vom Aquarium zum Boden des Filterbehälters sichert (Abb. B/2).

Korb für Filtermaterial

Praktische Körbe, die Schwämme von unterschiedlicher Porengröße enthalten und sich gut anderen Filtermaterialien anpassen (Abb. B/3). Die speziell regulierbaren Griffe sichern die gute Haftung der Körbe an der Wand des Filterbehälters, um einen ungewollten Wasserdurchfluss um die Schwämme herum zu verhindern (Abb. B/4). Die Filtermaterialien können durch andere Filtermaterialien ausgewechselt werden, wie z.B. Filterwatte aus Perlou BLUFIBRE (mechanische Filtration), Aktivkohlekörner BLUCARBON und Zeolith BLUZEOILITE (adsorbierende Filtration) oder andere Filtermaterialien. Achten Sie darauf, den Filter nicht zu verstopfen.

Biegsames Ansaugrohr

Verlängerbares Ansaugrohr (Abb. C/6), zum Ansaugen des Wassers im Aquarium. Das biegsame Ansaugrohr ist mit einem Sauggitter, gegen das unerwünschte Mitansaugen in den Filter von Fischen oder Pflanzenteilen (Abb. C/7) und einem Auslösestöpsel (Abb. C/8) ausgestattet. Der Gewinding sichert eine gute Befestigung am biegsamen Rohr.

Biegsames Rohr

Biegsames schon in 2 mal 2 m geschnittenes PVC-Rohr Durchmesser 15/21 mm.

Abb. A

- 1 Filtergriffe
- 2 Entriegelungshebel der Ventilgruppe
- 3 Gewindinge
- 4 Hebel zur Öffnung und Regulierung der Wasserdurchflussmenge
- 5 Haken
- 6 Sicherheitstaste zur Haken Sperrung
- 7 Fittings zum Wassereingang und Wasserausgang
- 8 Dichtung des Filterbehälters
- 9 Dichtung der Vorkammer
- 10 Ventilgruppe

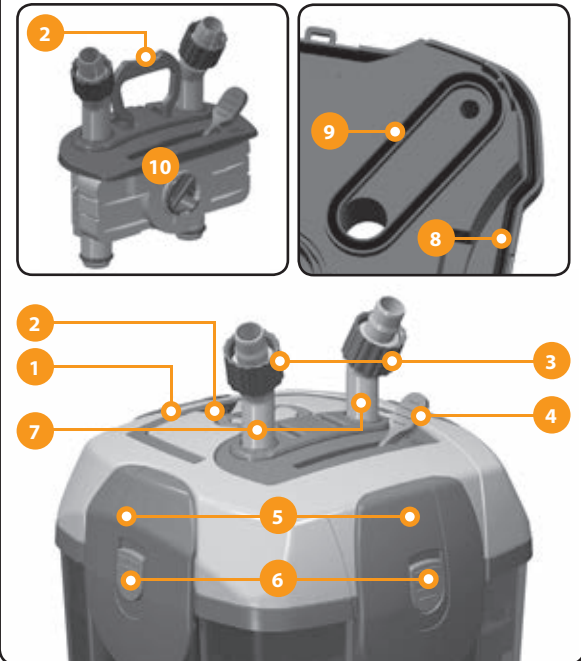
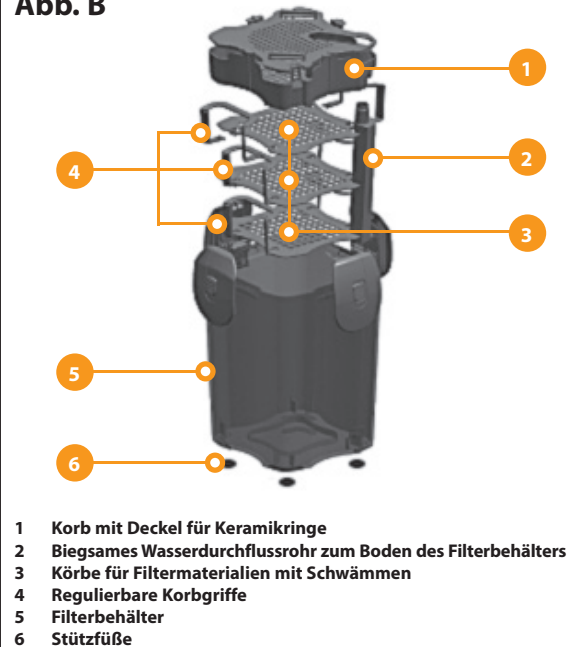


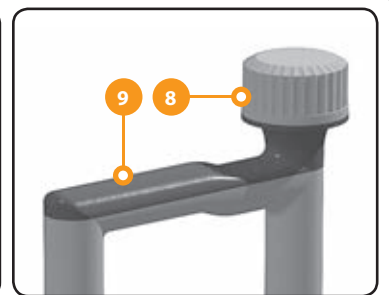
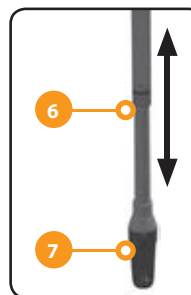
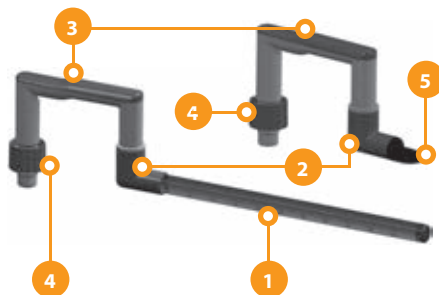
Abb. B



- 1 Korb mit Deckel für Keramikringe
- 2 Biegsames Wasserdurchflussrohr zum Boden des Filterbehälters
- 3 Körbe für Filtermaterialien mit Schwämmen
- 4 Regulierbare Korbgriffe
- 5 Filterbehälter
- 6 Stützfüße

Abb. C

- 1 Spray Bar
- 2 L - Stück
- 3 Fitting ohne Stöpsel
- 4 Gewinding zur Befestigung am Rohr
- 5 Verstellbare Düse
- 6 Regulierbares, biegsames Ansaugrohr
- 7 Sauggitter
- 8 Dichter Stöpsel
- 9 Fitting mit Stöpsel



Ausrüstung des Aquariums

- Für die Ausrüstung Ihres Aquariums lassen Sie sich von Ihrem Fachhändler beraten oder befolgen Sie die Hinweise des Benutzerhandbuchs.
- Wir empfehlen Ihnen, zur Ausrüstung eines Aquariums mit tropischen Süßwasserfischen, auf den Boden des Aquariums eine, nicht höher als 5 mm, gleichförmige, dünne Schicht aus Dünger zu geben.
- Füllen Sie das Becken mit Wasser auf (wir empfehlen 50 % Trinkwasser und **50% demineralisiertes Wasser** für Aquarien. Der Prozentsatz kann sich je nach den Eigenschaften Ihres Trinkwassers ändern).
- Stellen Sie die Temperatur des Erhitzers ein, gemäß der ausgewählten Fisch- und Pflanzenarten (z.B. die mittlere Temperatur für tropische Süßwasseraquarien beträgt ungefähr 25-26°C).

Installation des Außenfilters wie hier folgend angezeigt:

(einschließlich der Zugabe von BLUSTART Kapseln)

- Füllen Sie das Aquarium mit Wasser auf und warten Sie 24 Std. bevor Sie die Pflanzen ins Becken hinzufügen, damit sich die Temperatur und die chemischen Werte stabilisieren.
- Warten Sie 10-12 Tage, bevor Sie die Fische ins Aquarium geben, damit der Filter aktiv wird. Wir empfehlen Ihnen die Parameter des Wassers Ihres Aquariums mit dem Messinstrument MULTISTICK TESTER zu kontrollieren. Lassen Sie sich von Ihrem Fachhändler beraten, hinsichtlich der idealen Temperaturwerte, der Wasserhärte usw., abhängig von den Fisch- und Pflanzenarten, die Sie in Ihrem Aquarium züchten möchten. Wir empfehlen die Kontrolle öfters auszuführen. Nachdem Sie die Fische ins Aquarium gegeben haben, fügen Sie die, dem Filter beigefügten, BLUSTART Kapseln (1 Kapsel Filter 700 und 2 Kapseln Filter 1100 und 1500) auf den Boden des Filterbehälters hinzu (einfache Hinzufügung durch das Rohr auf **Abb. D**).
- Während des Zeitraums, die der Filter zur Reifung benötigt, fügen Sie täglich eine kleine Menge Trockenfutter dazu: das erleichtert die Bildung der Bakterienflora.

Vorbereitung und Installation des Filters

- Kleben Sie die 4 Stützfüße auf den äußeren Boden des Filterbehälters (**Abb. B/6**).
- Positionieren Sie den Filter BLUEXTREME unter dem Stand Ihres Aquariums (der Filter kann nach der Inbetriebnahme auch neben dem Aquarium aufgestellt werden). Alle Ferplast Ständer passen sich dem Filter bestens an und erleichtern die Rohrdurchführung.
ANMERKUNG: der Abstand zwischen der Filterstandfläche und dem Rohreingang ins Aquarium darf nicht größer als **160 cm** sein.
- Setzen Sie die Ventilgruppe in den entsprechenden Ventil Sitz ein. Stellen Sie dann den Entriegelungshebel nach unten und überprüfen Sie, dass der Einstellhebel auf Position **ENTRIEGELT** steht.
- Ziehen Sie den Deckel vom Filterbehälter ab, indem Sie auf die Haken einwirken (zuerst werden die 4 Sicherheitstasten nach oben geschoben, zuerst die Roten, danach die Grünen, **Abb. E**) und die korrekte Positionierung der Filtermaterialien überprüfen. Fügen Sie 1 (700) oder 2 (1100-1500) BLUSTART Kapseln auf den Boden des Filterbehälters hinzu (einfache Hinzufügung durch das Rohr). Verschließen Sie den Filter, indem Sie den Deckel wieder auf den Filterbehälter aufsetzen, die vier Haken verriegeln und die Sicherheitstasten schließen.
ANMERKUNG: Verriegeln Sie die Haken nicht einzeln, sondern immer zwei gegenüberliegende Haken auf einmal. **Beachten Sie, dass der Deckel korrekt auf den Filterbehälter gesetzt und orientiert wird**, um den gleichmäßigen Wasserdurchfluss vom Eingang bis zum Ausgang zu garantieren (**Abb. F**). Versichern Sie sich, dass die Dichtungen unter dem Deckel keine Spuren von Schmutzpartikeln oder Fremdkörpern aufweisen.
- Positionieren Sie den Vorlauf- und Ansaugschlauch in Ihr Aquarium. Vergewissern Sie sich, dass die Schläuche mit dem geeigneten Zubehör befestigt ist (**Abb. G**).
ANMERKUNG: Die Aquarien FERPLAST sind schon zur Rohrdurchführung vorbereitet (**Abb. H**).
 - Die Modelle CAYMAN, DUBAI, CAPRI sind auf dem Rückteil des Deckels mit abnehmbaren Dübeln ausgestattet.
 - Die hinteren Lüftungsgitter der Modelle STAR sind zur Rohrdurchführung leicht abnehmbar.
- Wir empfehlen Ihnen die biegsamen Auslass- und Ansaugrohre gegenüberliegend in den hinteren Ecken zu positionieren, damit zwischen den Rohren kein direkter Durchfluss entsteht. Zufällige, direkte Durchflüsse könnten die gute Funktionstüchtigkeit Ihres Aquariums beeinträchtigen.
ANMERKUNG: In den Aquarien CAYMAN 60 können in der linken Aquariumecke, auf Grund des Platzmangels, keine C-Stücke benutzt werden. Wir empfehlen den Ansauger auf die rechte Seite und den Ausströmer Spray Bar auf die linke Seite zu positionieren und dies direkt am biegsamen Rohr anzuschließen.

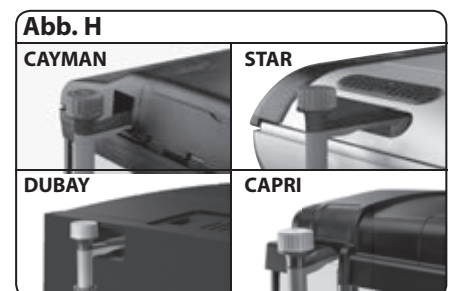
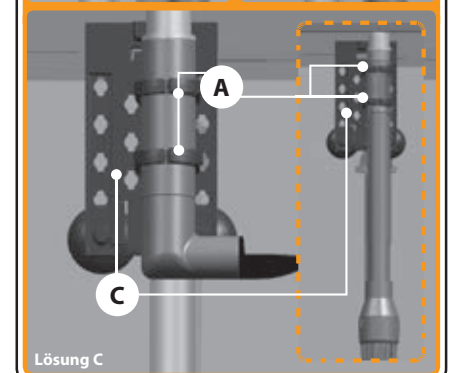
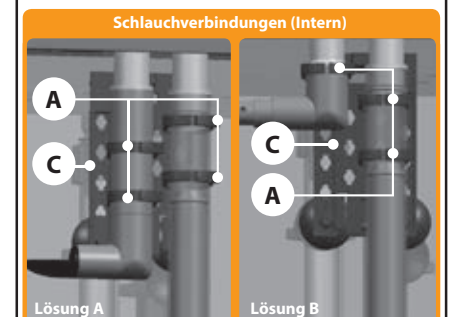
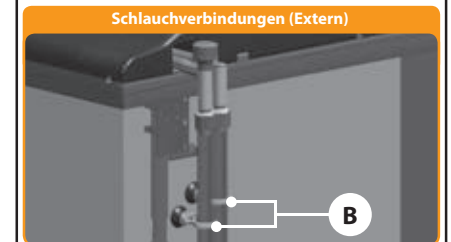
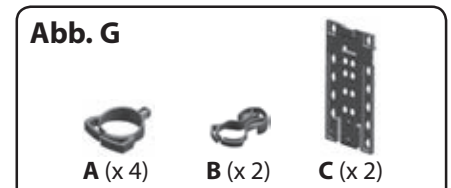
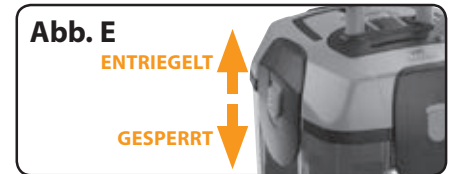
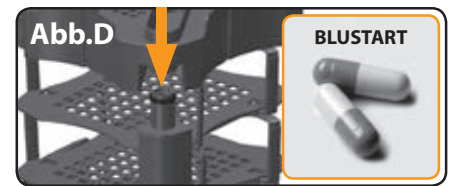
BIEGSAME ANSAUGROHRE

Positionieren Sie das C-Stück mit Stöpsel (**Abb. C/9**) auf dem Aquarium und schließen Sie das halbtransparente Rohr zur Innenseite des Aquariums an. Nachdem Sie das Gitter mit dem unteren Rohrende verbunden haben, schließen Sie das Rohr zur Höhenregulierung an (**Abb. C/6**). Regulieren Sie das Sauggitter im Aquarium, mit einem Abstand von ungefähr 3-4 cm vom Boden.

BIEGSAME AUSLASSROHRE

Positionieren Sie das C-Stück ohne Stöpsel (**Abb. C/3**) auf dem Aquarium und schließen Sie je nach Bedarf das L-Stück mit oder ohne Verlängerungsstück (**Abb. C/2**) an. Nun können Sie den Ausströmer Spray-Bar (**Abb. C/1**) oder die bis 360° orientierbare Düse (**Abb. C/5**) anschließen. Verbinden Sie die biegsamen Rohre mit den Fittings des Außenfilters und mit den Auslass- und Ansaugseinheiten. Achten Sie dabei auf die Richtung (**IN** des Filters Richtung Ansaugseinheit, **OUT** des Filters Richtung Auslass, **Abb. F**). Nach dem Anschluss werden die biegsamen Rohre sicher mit den Gewinderingen befestigt.

ANMERKUNG: Die biegsamen Rohre müssen genau und von richtiger Länge geschnitten werden. Achten Sie beim Anschluss darauf, dass sich keine Krümmungen (diese Beachtung erleichtert auch die Filterauslösung) oder Falten (was die Durchflussmenge des Wassers beeinträchtigen könnte) bilden.





Inbetriebnahme des Filters (Self-Priming System)

- 1 Versichern Sie sich, dass der Hebel zur Öffnung der Ventilgruppe auf „gesperrt“ positioniert ist.
- 2 Öffnen Sie den Stöpsel über dem Ansauger und gießen Sie ein Glas Wasser (ungefähr 150 cc) hinein.
- 3 Verschließen Sie den Stöpsel.
- 4 Öffnen Sie mit dem entsprechenden Hebel die Filterventile. Das System wird automatisch ausgelöst.
- 5 Nehmen Sie den Filter in Betrieb, in dem Sie den Filter an das Stromnetz anschließen. Sie können die Wasserdurchflussmenge regulieren, in dem Sie auf den Hebel einwirken.

ANMERKUNG: Nach Inbetriebnahme des Filters versichern Sie sich, dass der Filter nicht leckt. Nach ein paar Stunden Filterbetrieb überprüfen Sie, dass der Filter korrekt funktioniert und überprüfen Sie noch einmal, dass er nicht leckt und Wasserverluste aufweist. Sollte das Wasser nicht gut durch das Auslassrohr fließen, überprüfen Sie die Rohranschlüsse und kontrollieren Sie das Rohr auf Krümmungen oder Verstopfungen. Durch leichte Schüttelung des Filters wird eventuell vorhandene Innenluft entsorgt.

Wartung

Wichtig: vor jedem Wartungseingriff muss immer der Netzstecker des Filters aus der Steckdose gezogen werden.

Die Filterwartung muss regelmäßig, wenigstens alle 3 - 4 Wochen ausgeführt werden, auf jeden Fall bei sichtlicher Verringerung der Wasserdurchflussmenge.

Ausführung der Wartung:

- Schließen Sie mit dem Hebel die Ventile (Abb. I/5a);
- Trennen Sie den Filter vom Stromnetz;
- Nach einigen Sekunden können Sie die Ventilgruppe leicht herausnehmen, in dem Sie auf den Entriegelungshebel einwirken (Abb. I/5b);
- Mit dem robusten Griff transportieren Sie den Filter an den Ort, wo die Reinigung ausgeführt werden soll (Abb. I/5c);
- Öffnen Sie den Filter mittels den Haken (schieben Sie die Sicherheitstasten vorher hoch);
- Nehmen Sie den Korb mit den Keramikringen heraus (**ANMERKUNG: die biologischen Filtermaterialien werden nicht gereinigt, damit sich ihre Bakterienassoziation, die sie aktiviert, erhalten**);
- Nehmen Sie die Schwämme der mechanischen und adsorbierenden Filtration mittels den Korbgriffen heraus und spülen Sie diese aus:
 - Die Schwämme der mechanischen Filtration müssen wenigstens alle 6 Monate ausgewechselt werden. Verwenden Sie ausschließlich Originalersatzteile BLUMEC.
 - Die Wirkung der adsorbierenden Schwämme versiegt innerhalb von 2-3 Wochen. Wir empfehlen die Auswechslung mit dem Originalersatzteil BLUCLEAR. Sie können den adsorbierenden Schwamm auch im Filter belassen und ihn weiter für eine mechanische Filtration verwenden. In diesem Fall muss er alle 6 Monate ausgewechselt werden.
 - Der adsorbierende Schwamm kann auch durch andere Materialien ersetzt werden, wie z.B. durch Aktivkohlekörner BLUCARBON oder durch Zeolith BLUZEOLITE (fügen Sie diese mit dem dazugehörigen Säckchen hinzu).
 - Während der Pflege mit spezifischen, therapeutischen Mitteln, wird der adsorbierende Schwamm aus dem Filter genommen (um die heilsamen Effekte nicht zu beeinträchtigen). Wir empfehlen Ihnen nach der Pflegezeit einen neuen adsorbierenden Schwamm zu verwenden.
- Reinigen Sie den Filter wenigstens alle 3 - 4 Monate den Läufer und die Welle der Filterpumpe:
 - Nehmen Sie den Deckel der Pumpe ab, in dem Sie die Feder in Richtung Laufrad schieben und ihn gleichzeitig herausziehen (Abb. I 6a/b);
 - Nehmen Sie den Läufer und die Welle heraus und reinigen Sie diese mit einer weichen Bürste und lauwarmen Wasser (verwenden Sie keine Spül- oder Scheuermittel).
 - Montieren Sie die Pumpe wieder, in dem Sie dieselben Handgriffe entgegengesetzt ausführen. Achten Sie darauf, dass Sie die Keramikwelle wieder richtig in die entsprechende Buchse einsetzen (beachten Sie beim Eingriff, dass die Welle sehr zerbrechlich ist).
- Montieren Sie den Filter wieder. Achten Sie darauf, die Filtermaterialien nach richtiger Ordnungsfolge einzugeben: blauer, weitmaschiger Schwamm nach unten, blauer, feinmaschiger Schwamm in der Mitte (nur bei Modell 1100 und 1500), A-Kohle Schwamm nach oben und darüber den Korb mit den Keramikringen.
- Positionieren Sie den Filter auf dem Filterbehälter und setzen Sie die Ventilgruppe in den Ventil Sitz ein.

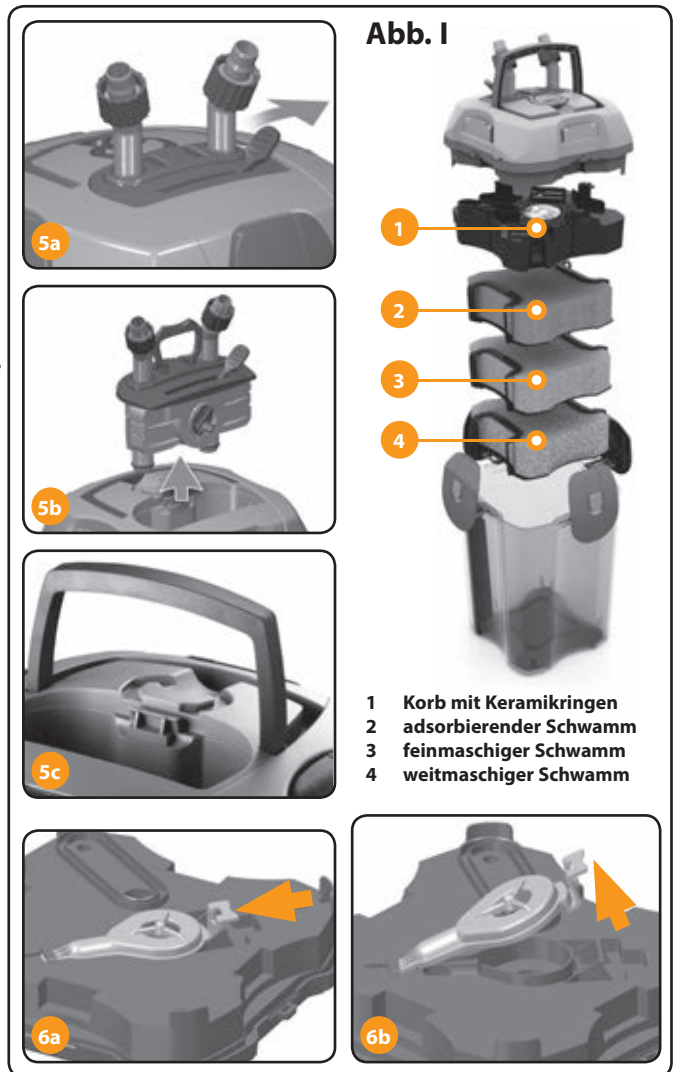
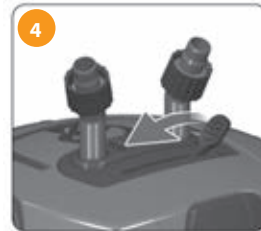
Achtung: falls sich Wasser auf der Innenabdeckung befindet, kippen Sie einfach vor dem Einsetzen des Filters den Deckel, um das Wasser zu entfernen.
- Bei korrekter Montage kann der Filter durch die einfache Ventilöffnung und den Anschluss an das Stromnetz wieder in Betrieb genommen werden. Sollte sich der Filter aus irgendeinem Grund nicht wieder in Betrieb setzen, wiederholen Sie den beschriebenen Vorgang im Kapitel "Inbetriebnahme des Filters".

Andere Wartungseingriffe:

- **Dichtungen:** wir empfehlen Ihnen, für eine gute Filterdichtung, die Dichtungen wenigstens einmal jährlich auszuwechseln, mit dem entsprechenden Ferplast Kit.
- Reinigen Sie das Ansauggitter regelmäßig und überprüfen Sie, dass es nie verstopft ist.
- Reinigen Sie die biegsamen Rohre regelmäßig, damit keine Algen oder Schmutzpartikel



SELF-PRIMING SYSTEM Selbstansaugend



Ersatzteile und Zubehör

Jedes Filterteil des Filters BLUXTREME ist einfach auswechselbar. Die Ersatzteile finden Sie in Ihrem Fachgeschäft, wo Sie den Filter gekauft haben. Weiterhin bietet Ferplast ein großes Angebot an Zubehörteilen an, das ständig erneuert wird, um die Aquarien den unterschiedlichsten Ansprüchen anzupassen. Verwenden Sie ausschließlich Originalersatzteile Ferplast zur Auswechslung jeglichen Filterteils, um die maximale Funktionstüchtigkeit und Sicherheit Ihres Filters zu garantieren. Die Verwendung von Ersatzteilen die keine Originalersatzteile Ferplast sind, hebt die Garantie auf.

Garantie

Ferplast garantiert den Außenfilter BLUXTREME und alle seine Filterteile und sein Zubehör im vorgesehenen Rahmen der vorliegenden Klausel und den geltenden Gesetzesvorschriften. Die Garantie gilt ausschließlich für Fabrikationsfehler und umfasst die Reparatur oder die kostenlose Auswechslung. Die Garantie verfällt bei Schäden u/o Fehlern, verursacht durch Nachlässigkeit, Verschleiß, mit den Anzeigen und Hinweisen des Benutzerhandbuchs nicht übereinstimmende Verwendung, Unfällen, Beschädigungen, unzureichendem Gebrauch, fehlerhaften Reparaturen, nicht nachweisbarer Kauf durch fehlenden Kassensbon. Ausgeschlossen aus der Garantie sind: die Schwämme, die Dichtungen und die allgemeinen Filtermaterialien.

BLUEXTREME 700/1100/1500

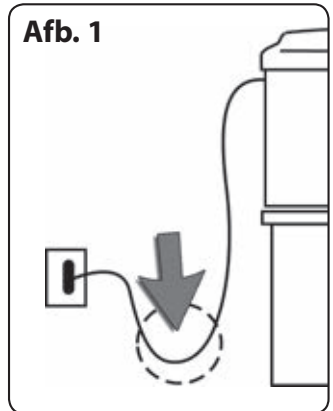
VOORWORD

U hebt een prima keuze gemaakt met de aankoop van de externe filter BLUEXTREME van Ferplast waarvan u veel plezier zult hebben. Deze filter houdt uw vissen en planten perfect gezond zonder dat u bang hoeft te zijn voor uw eigen veiligheid: de krachtige, in de filter ingebouwde, pomp is volledig waterdicht, elk component is goedgekeurd en voldoet aan de internationale veiligheidsvoorschriften (CEI EN 60335-2-41).

De filter installeren is makkelijk en prettig. Bovendien hoeft u elke maand maar enkele minuten aandacht te besteden aan het onderhoud van de pomp om altijd van een perfect werkend aquarium te kunnen genieten.

WAARSCHUWINGEN

- Controleer of de voorgeschreven spanning op het etiket op het apparaat dezelfde is als die van uw stroomnet.
- De filter is bedoeld voor gebruik binnenshuis.
- Controleer of uw net beveiligd is met een lekstroomschakelaar met een schakelvermogen dat niet hoger is dan 30 mA.
- Voordat u de magneetklep onderhoudt, dient u de elektriciteit uit te schakelen (stekker uit stopcontact).
- Het stroomsnoer van de pomp mag niet worden gerepareerd of vervangen: als het beschadigd is, vervangt u het hele apparaat.
- De temperatuur van het water mag niet hoger zijn dan 35° C.
- Als u de filter aansluit op de stroom, controleert u of het laagste punt van het stroomsnoer lager ligt dan het stopcontact zodat eventuele waterdruppels op het snoer niet toevallig in het stopcontact kunnen komen (Afb. 1).
- Dit product is niet bedoeld om onbewaakt te worden gebruikt door kinderen of personen die hiertoe niet bevoegd zijn.
- Het afzuigbuisje moet altijd ondergedompeld zijn in het water zodat de filter nooit droog draait.



DE VERPAKKING OPENMAKEN

In de verpakking van de BLUEXTREME-filter vindt u:

- 1 externe BLUEXTREME-filter, compleet met pomp en filtermaterialen (sponzen en staafjes);
- 2 buizen in onschadelijk PVC van 1,5 of 2 meter (Ø 15/21 mm),
- 2 (BLUEXTREME 700) of 4 (BLUEXTREME 1100-1500) capsules BLUSTART (speciale startcapsules om de filter sneller te laten rijpen);
- **KIT MET ACCESSOIRES** inclusief:
 - 1 afzuigbuis die kan worden verlengd, met rooster, afgedichte dop voor bevestiging op de filter en schroefring voor bevestiging op de PVC-buis;
 - 1 toevoerbuis met verlengstuk, bevestiging voor spray-bar of spuit en schroefring voor bevestiging op de PVC-buis;
 - 2 (BLUEXTREME 700) of 4 (BLUEXTREME 1100-1500) capsules BLUSTART (speciale startcapsules om de filter sneller te laten rijpen);
 - 1 spray-bar;
 - 1 richtbare spuit;
 - 6 lange klemmen met pal;
 - 4 korte klemmen met pal;
 - 10 zuignappen;
 - 4 steunpootjes voor filte,
 - 2 klemhouders.



TECHNISCHE GEGEVENS VAN DE BLUEXTREME-FILTERS

BLUEXTREME	VERMOGEN	OPVOER-VERMOGEN	INWENDIGE KUIPINHOUD	INHOUD BIOLOGISCHE FILTER	VERMOGEN	AQUARIUM-KUIPINHOUD	AFMETINGEN	MANDJES VOOR FILTERMATERIALEN
modell	L/h	m	L	L	W	L	cm	n°
700	700	1,3	5,5	1	12	< 150	22 x 22 - h 34	3
1100	1100	1,5	7	1	16	150 < l < 300	22 x 22 - h 40	4
1500	1500	2,2	11	2,5	32	< 500	26 x 26 - h 46	4



BLUEXTREME: alle kwaliteiten op een rijtje

Filterhandgreep

Praktische handgreep om de filter te kunnen verplaatsen, ook als deze helemaal is gevuld met water (Afb. A/1).

Hendel om de kleppen los te maken

Praktische hendel om de kleppen uit het deksel van de filter te kunnen halen voor het onderhoud (Afb. A/2).

Opm.: de kleppen kunnen alleen uit het deksel worden gehaald als de hendel rechtop staat.

Hendel om de kleppen te openen (safety system)

Hendel om de kleppen te openen, te sluiten en de doorstroming te regelen (Afb. A/4).

Buiskoppelingen met schroefring

Het koppelingen die 360° (Afb. A/7) kunnen worden gericht en met de schroefring stevig op de buis worden vastgemaakt (Afb. A/3).

Kleppen

Het kleppenelement kan gemakkelijk uit het deksel worden gehaald met een hendel en bevat alle waterkleppen (Afb. A/10).

Opm.: als de kleppen uit het deksel worden gehaald, blokkeert een speciaal systeem de hendel om de kleppen te openen zodat deze niet toevallig kunnen worden geopend en er geen water uit kan wegvloeien.

Sluitingen

4 sterke sluitingen op het deksel en de filterkuip (Afb. A/5). Met een speciale knop blokkeert u het systeem als het gesloten is zodat het niet toevallig kan worden geopend (Afb. A/6).

Opm. Rood: sluiting geblokkeerd; Groen : sluiting gedeblokkeerd.

Dichting op de kuip

Een speciale dichting in EPDM-rubber garandeert een lekvrij deksel op de kuip (Afb. A/8).

Dichting op de voorkamer

Een speciale dichting in expansie-EPDM met gesloten cellen garandeert doorstroming van het water vanaf de filterinlaat tot op de bodem van de kuip zonder andere omwegen (Afb. A/9).

Mandje voor staafjes

Handig mandje voor de biologische-filterstaafjes.

In deze positie werken de staafjes optimaal (Afb. B/1).

Waterbuis

In de kuip ingebouwde buis voor een directe doorstroming van het water naar de bodem van het aquarium (Afb. B/2).

Mandjes voor filtermaterialen

Handige mandjes voor verschillende sponzen die ook aan andere materialen kunnen worden aangepast (Afb. B/3). Met de speciale verstelbare handgrepen zitten deze mandjes altijd vast tegen de wand van het aquarium, zodat er geen water rondom de sponzen kan (Afb. B/4). Alle filtermaterialen kunnen worden vervangen door andere zoals BLUFIBRE (perlon voor mechanische filter), actieve koolkorrels BLUCARBON en zeoliet BLUZEOLITE (adsorberend materiaal) of andere materialen; verstopt de filter echter niet met te veel materiaal.

Afzuigbuis

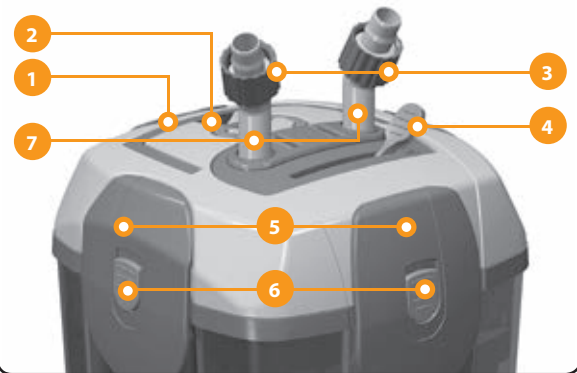
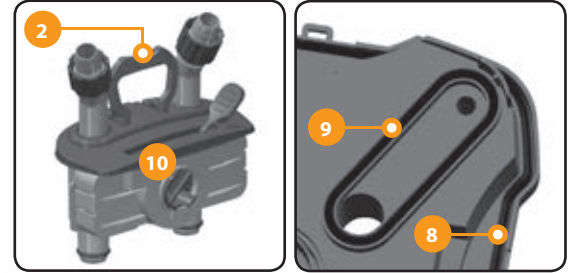
Speciale buis die het water in het aquarium opzuigt en in de lengte kan worden versteld (Afb. C/6). Bij de buis hoort een rooster zodat er geen blaadjes of vissen in de filter (Afb. C/7) kunnen komen en een opening met bevestigingsdop (Afb. C/8). De schroefring garandeert bovendien een veilige bevestiging op de PVC-buis.

PVC-buis

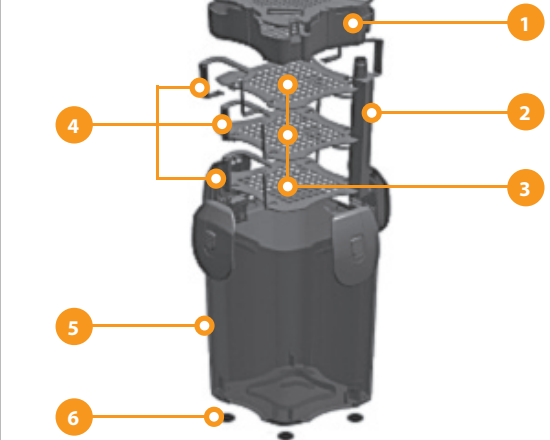
Speciale buis in PVC met een diameter van 15/21 mm, voorgesneden in 2 stukken van 2 meter.

Afb. A

- 1 Filterhandgreep
- 2 Hendel om de kleppen los te maken
- 3 Schroefringen
- 4 Hendel om de kranen te openen, te sluiten en de doorstroming te regelen.
- 5 Sluiting
- 6 Veiligheidsknop op sluiting
- 7 Buiskoppeling waterinlaat en -uitlaat
- 8 Dichting op de kuip
- 9 Dichting op voorkamer
- 10 Kleppen



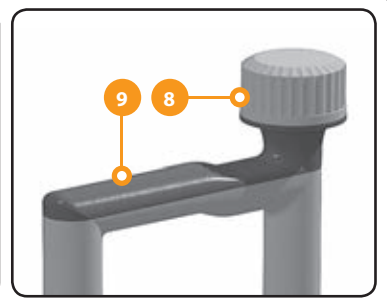
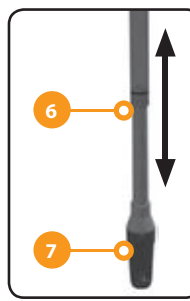
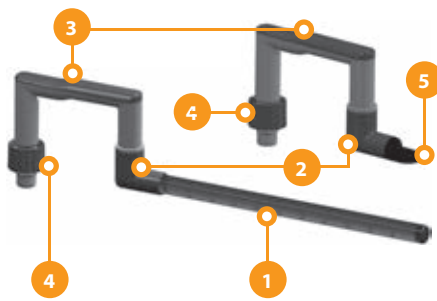
Afb. B



- 1 Mandje voor staafjes met deksel
- 2 Waterbuis naar kuipbodem
- 3 Mandjes voor filtersponzen
- 4 Afstelbare handvaten voor mandjes
- 5 inhouder
- 6 Steunpootjes

Afb. C

- 1 Spraybar
- 2 L-koppeling
- 3 Koppeling zonder dop
- 4 Schroefring voor bevestiging op PVC-buis
- 5 Richtbare spuit
- 6 Stelbuis voor afzuiging
- 7 Rooster
- 8 Lekvrije dop voor bevestiging op filter
- 9 Koppeling met dop



Het aquarium inrichten

- Richt het aquarium in volgens de aanwijzingen van de verkoper of in de bijbehorende handleiding.
- Als u een aquarium met tropische zoetwatervissen inricht, raden wij u in elk geval aan de bodem te bedekken met een dun laagje bemeste kiezelsteentjes zoals (vruchtbare onderlaag).
- Vul de kuip met water (wij raden aan dit te doen met 50% kraanwater en **50% gedemineraliseerd water** voor aquariums, ook al kunnen deze hoeveelheden variëren afhankelijk van de kenmerken van uw kraanwater).
- Stel vervolgens de verwarmingstemperatuur in voor de vissen en planten die u hebt gekozen.

Installeer de externe filter zoals hieronder uiteengezet:

(inclusief het plaatsen van de BLUSTART tabletten)

- Doe de planten pas na 24 uur in het water in de kuip zodat het water reeds op temperatuur is gekomen (voor tropische aquariums met zoetwater is de gemiddelde temperatuur bijv. Ongeveer 25-26°C).
- Voordat u de vissen in het aquarium zet, wacht u 10-12 dagen en in elk geval totdat de filter gerijpt is. Wij raden bovendien aan de waterkenmerken van uw aquarium te controleren met de MULTISTICK TESTER. Uw aquariumverkoper zal u bovendien ook informatie verstrekken over de temperatuur, de waterhardheid, enzovoort die geschikt zijn voor de vissen en planten die u in uw aquarium hebt gezet. Controleer deze waarden regelmatig. Zodra u de vissen in het water hebt gezet, doet u de capsules BLUSTART die bij de filter horen in de filter (1 in 700 en 2 in 1100 en 1500) op de bodem van de filterkuip (dit gaat makkelijk via de buis, **Afb. D**).
- Tijdens de rijpingsperiode van de filter doet u dagelijks een kleine dosis droog voer in het water: dit bevordert de bacterievorming.

De filter klaarmaken en installeren

- Plak de vier steunpootjes op de bodem van de filterkuip (**Afb. B/6**).
- Zet de BLUEXTREME-filter lager dan het aquarium (als u de filter ernaast wenst te zetten, kunt u dit doen nadat u de filter hebt opgestart). Alle onderstellen van Ferplast zijn uitgerust voor de filters en de nodige buizen.
- **Opm.:** de afstand vanaf het steunvlak van de filter tot aan het punt waarop de buizen in het aquarium gaan, mag niet meer bedragen dan **160 cm**.
- Steek de kleppen in hun zitting, zet de hendel naar onder en controleer of de regelhendel op **GEDEBLOKKEERD** staat.
- Haal het deksel van de filterkuip met behulp van de sluitingen (zet eerst de vier veiligheidsknoppen naar boven, van rood op groen, **Afb. E**) en controleer of de filtermaterialen goed zitten; leg 1 (700) of 2 (1100-1500) capsules BLUSTART op de bodem van de filterkuip (dit gaat makkelijk via de buis. Sluit de filter dan, zet het deksel erop, sluit het met de vier sluitingen en blokkeer het met de veiligheidsknoppen.
- **Opm.:** maak de sluitingen niet afzonderlijk vast, maar maak telkens twee sluitingen tegelijkertijd vast (eerst het ene koppel en dan het andere aan de andere kant). **Monteer het deksel goed op de filterkuip zodat de waterstroom tussen de ingang en de uitgang nergens wordt onderbroken (Afb. F)**. Controleer ook of er nergens sporen van vuil of vreemde voorwerpen op de rubber dichtingen onder het deksel zitten.
- Plaats de aan- en afvoerbuisen in het aquarium door ze stevig vast te zetten met de geschikte accessoires (**Afb. G**).
- **Opm.:** de FERPLAST aquariums zijn uitgerust met zittingen voor de buizen (**Afb. H**).
 - Op de CAYMAN, DUBAI en CAPRI modellen, zitten op de achterkant van het deksel breekpluggen die gemakkelijk los kunnen worden gemaakt.
 - Op de STAR modellen kunnen de achterste luchtrooster gemakkelijk los worden gemaakt om de buizen erdoor te steken.
- Wij raden u aan om de toevoer- en afzuigeenheden in de twee achterste hoeken te plaatsen, tegenover elkaar zodat er geen directe stroming tussen de twee leidingen kan zijn. Een directe stroming tussen de toevoer en afzuiging is niet goed voor de werking van het aquarium.
- **Opm.:** in het CAYMAN 60 aquarium is niet genoeg ruimte en kunt u de 'C'-koppelingen niet in de linkerhoek van het aquarium aanbrengen; wij raden aan in dit geval de afzuiging rechts en de toevoer links te leggen waarbij u deze laatste rechtstreeks bedient met de PVC-buis.

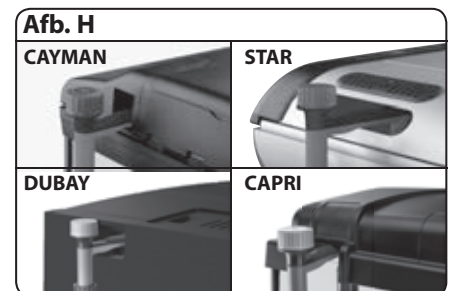
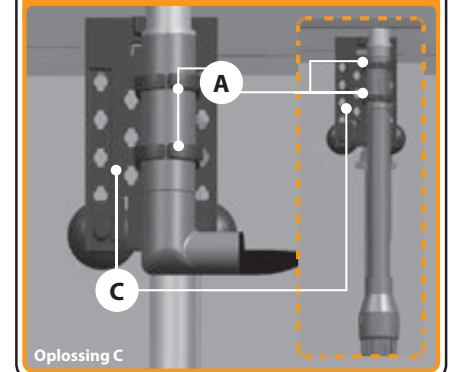
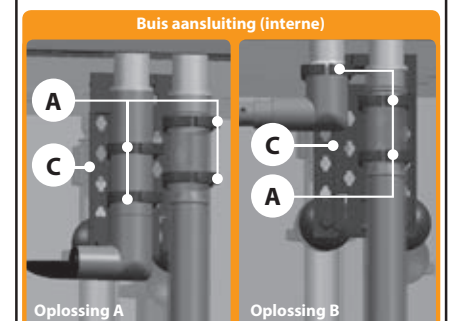
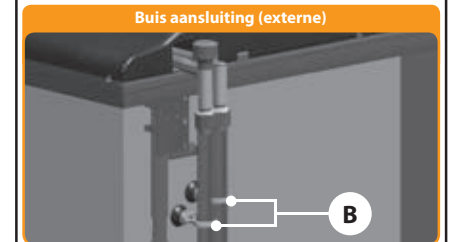
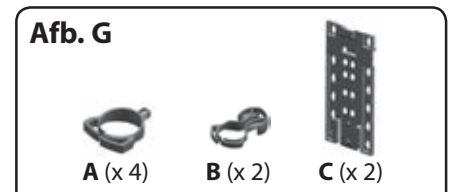
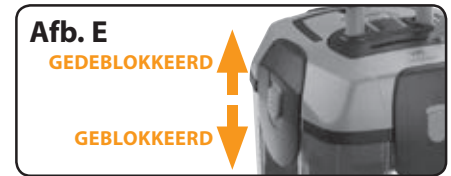
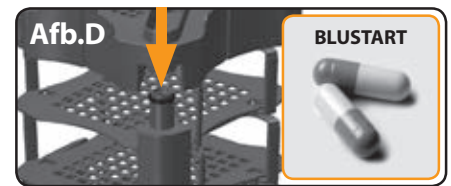
AFZUIGBUIZEN

Plaats de 'C'-koppeling met de dop (**Afb. C/9**) op het aquarium en maak er de halftransparante buis op vast naar de binnenkant van het aquarium toe; steek er nu de buis in waarmee u de lengte ervan verstelt (**Afb. C/6**), maar plaats eerst het rooster op de bodem vast. Regel vervolgens de stand van het rooster in het aquarium zodat het ongeveer 3-4 cm van de bodem van de kuip zit.

TOEVOERBUIZEN

Plaats de koppeling zonder dop op het aquarium (**Afb. C/3**) en maak er volgens uw eigen vereisten de L-koppeling aan vast met of zonder het verlengstuk (**Afb. C/2**). Vervolgens kunt u er een spray-bar (**Afb. C/1**) of 360° richtbare spuit (**Afb. C/5**) op aankoppelen. Steek de flexibele buizen op de buiskoppelingen van de filter en de toevoer en afzuiging, maar draai de richtingen niet om (**IN** van de filter naar de afzuiging, **OUT** van de filter naar de toevoer, **Afb. F**). Steek de schroefringen op hun plaats en zet de buizen ermee vast.

Opm.: snijd de flexibele buizen recht af op de goede lengte; maak ze vast zonder er bochten of lussen in te leggen (op deze manier bevestigt u ook de filter beter en stroomt het water er beter door).





De filter opstarten (self-priming systeem)

- 1 Controleer of de hendel om de kranen te openen, in de gesloten stand staat.
- 2 Open de dop op het afzuigingsgedeelte en giet er een glas water in (ongeveer 150 cc).
- 3 Sluit de dop goed en open de kleppen op de filter met de hendel. Op deze manier start het systeem automatisch op.
- 4 Steek de stekker nu in het stopcontact om de filter aan te zetten.
- 5 Regel met de hendel de hoeveelheid doorstromend water.

Opm.: controleer nu onmiddellijk of de filter nergens lekt. Controleer na enkele draaiuren of de filter goed werkt en controleer opnieuw of er nergens lekken zijn. Als het water niet vlot in de buis stroomt, controleert u de aansluitingen op de buis en of deze nergens verstopt of gebogen is. U laat eventuele lucht uit de filter door er zachtjes mee te schudden.

Onderhoud

Belangrijk: voordat u de filter onderhoudt, schakelt u de elektriciteit uit (stekker uit stopcontact).

Onderhoud de filter regelmatig, minstens om de 3-4 weken en in elk geval als u merkt dat er minder water door stroomt.

Voor het onderhoud:

- sluit de kleppen met de hendel (Afb. I/5a);
- haal de stekker uit het stopcontact.
- na enkele seconden haalt u de kleppen eruit met de hendel om de kleppen los te maken (Afb. I/5b);
- draag de filter naar de plaats waar u deze wil reinigen met behulp van het handvat dat hiervoor bestemd is (Afb. I/5c);
- open de filter met de sluitingen (vergeet niet de veiligheidsknoppen naar boven te zetten);
- haal het mandje met de staafjes eruit (Opm.: was het biologische filtermateriaal niet zodat ze hun actieve bacteriën niet verliezen);
- spoel de sponzen voor de mechanische en adsorberende filtering; haal ze eruit met de handvaten op de mandjes :
 - de mechanische filtersponzen moeten minstens om de zes maanden worden vervangen. Gebruik hiervoor uitsluitend originele BLUMEC sponzen;
 - een adsorberende filterspons is na 2 of 3 weken uitgewerkt. Wij raden u dus aan om deze te vervangen door een nieuwe BLUCLEAR spons of dezelfde spons in de filter te laten zitten voor een mechanische werking; in elk geval moet de sponzen om de zes maanden worden vervangen.
 - de adsorberende spons kan ook worden vervangen door andere materialen actieve koolkorrels BLUCARBON of zeoliet BLUZEOLITE (bij voorkeur in het speciale zakje).
- tijdens behandelingen met geneesmiddelen dient u de spons uit de filter te halen (zodat de behandelmiddelen optimaal kunnen werken). Na een behandelingsperiode is het beter een nieuwe spons in de filter te doen.
- reinig minstens om de 3 - 4 maanden de rotor en de as van de filterpomp:
 - haal het dekseltje van de pomp (duw het lipje in de richting van de rotor en haal tegelijkertijd de rotor eruit (Afb. I/6a-b);
 - haal de rotor en de as eruit en reinig deze met een zacht borsteltje en lauw water (zonder reinigingsproducten of schurende middelen te gebruiken);
 - monteer de pomp opnieuw met de handelingen in de omgekeerde richting en zorg ervoor dat het keramieken asje goed in de bijbehorende bus zit (handel voorzichtig want het materiaal van de as is bijzonder breekbaar).
- Monteer de filter opnieuw; steek de filtermaterialen er in de goede volgorde weer in: de blauwe grove spons onderaan, de blauwe fijne spons in het midden (alleen voor 1100 en 1500), spons met actief kool bovenaan, mandje met staafjes boven.
- Breng de filter in de buurt van het aquarium en steek de kleppen op hun plaats. **Let op:** als er water in de interne kap zit, laat u dan voordat u het in het filter doet, het water eruit lopen door de kap over te hellen.
- Als u alles goed hebt gedaan, zal de filter gewoon opnieuw starten als u de kleppen opent en de stroom weer aan zet. Als om de ene of de andere reden de filter niet start, herhaalt u de procedure van de paragraaf 'De filter opstarten'.

Andere onderhoudswerkzaamheden :

- **Dichtingen:** om de filter perfect lekvrij te houden, raden wij aan de pakkingen minstens 1 keer per jaar te vervangen met de speciale pakkingenkit van Ferplast.
- Reinig regelmatig het afzuigrooster en controleer altijd of het niet verstopt is.
- Reinig regelmatig de flexibele buizen zodat algen of ander vuil de doorlaatopeningen niet kunnen verstopen.

Onderdelen en accessoires

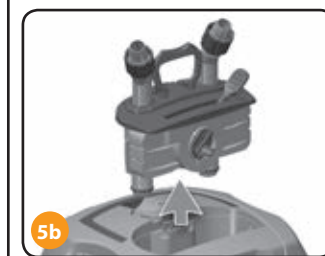
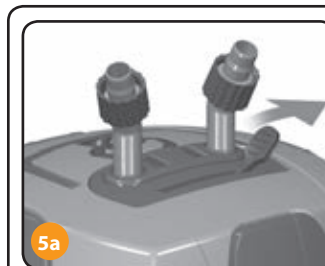
Elk deel van de BLUEXTREME-filter kan makkelijk worden vervangen. De onderdelen vindt u in de winkel waar u de filter gekocht hebt. Deze winkels bieden bovendien ontelbare accessoires van Ferplast aan die voortdurend vernieuwd worden en nuttig zijn om uw aquarium aan te passen aan uw gewijzigde behoeftes. Gebruik alleen originele onderdelen van Ferplast zodat u altijd zeker kunt zijn van een goed werkend en veilig product. De garantie vervalt als u andere onderdelen gebruikt.

Garantie

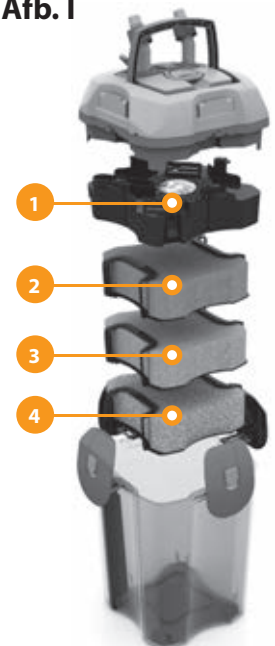
Ferplast verleent een garantie voor de BLUEXTREME-filter en alle componenten en accessoires ervan met de beperkingen die voorzien zijn in de onderhavige garantievoorwaarden en in de geldende wettelijke garantiebepalingen. De garantie geldt alleen voor fabricagefouten en omvat kosteloze reparatie of vervanging. De garantie geldt niet voor schade en/of defecten die veroorzaakt zijn door onoplettendheid, slijtage, overtreding van de gebruiks- en veiligheidsvoorschriften die in de onderhavige handleiding staan, ongevallen, ombouwen, oneigenlijk gebruik, verkeerde reparatie, aankoop zonder aankoopbon. Filtermaterialen in het algemeen, de sponzen en de dichtingen zijn niet in de garantie inbegrepen.



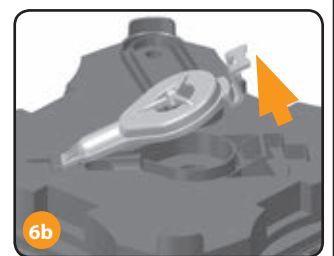
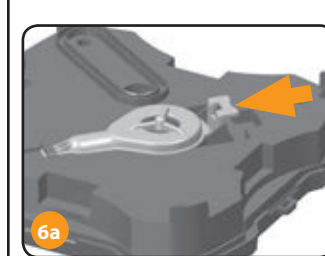
SELF-PRIMING SYSTEM Automatisch in werking stellend



Afb. I



- 1 Mandje voor staafjes
- 2 Adsorberende spons
- 3 Fijne spons
- 4 Grove spons



BLUEXTREME 700/1100/1500

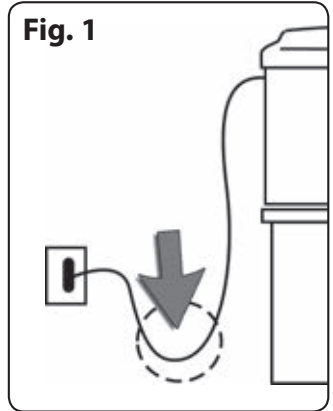
INTRODUCCIÓN

Le felicitamos por haber elegido el filtro externo BLUEXTREME de Ferplast. El filtro ha sido proyectado para dar grandes satisfacciones y asegurar el absoluto respeto para la salud de los peces y de las plantas, sin descuidar su seguridad ya que la potente bomba integrada en el filtro se puede sumergir completamente y cada componente está homologado y es conforme a las relativas normas internacionales de seguridad (CEI EN 60335-2-41).

Instalarlo y utilizarlo será sencillo y divertido. Gracias a BLUEXTREME serán suficientes pocos minutos de mantenimiento cada mes para que su acuario funcione siempre eficientemente.

ADVERTENCIAS PRELIMINARES

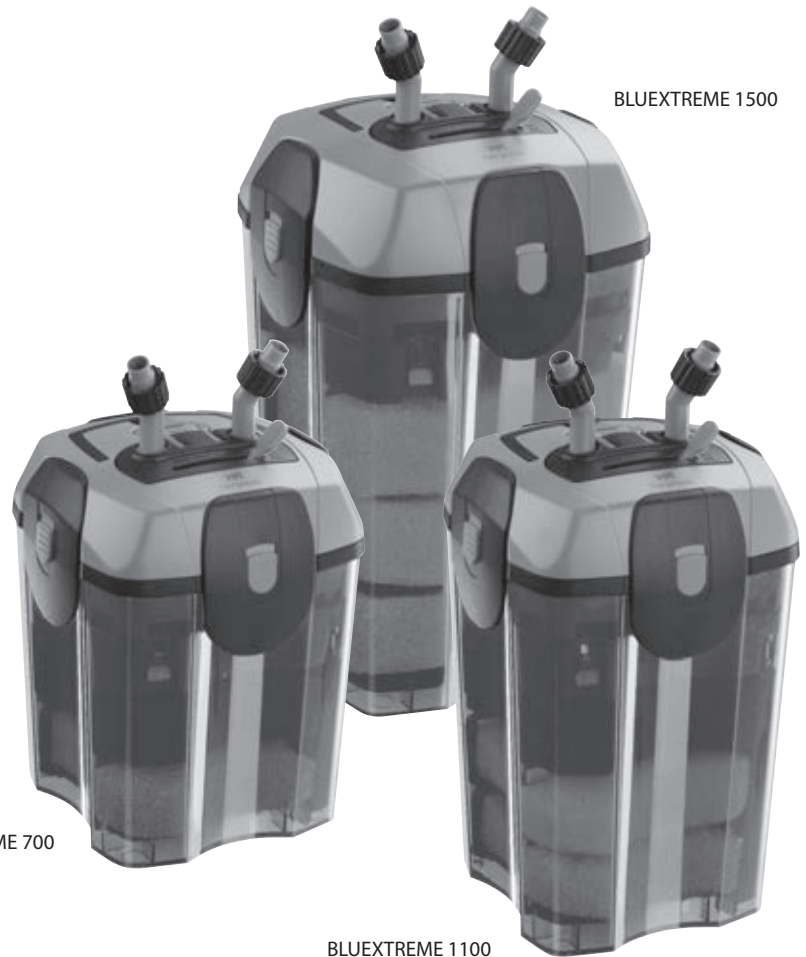
- Asegúrese de que el voltaje indicado en la etiqueta del aparato corresponda al de la red de alimentación.
- El filtro está destinado para un uso interno.
- Asegúrese de que su casa esté protegida por un interruptor diferencial salvavidas con corriente de intervención no superior a 30 mA.
- Antes de realizar cualquier operación de mantenimiento desconecte el aparato de la red de alimentación.
- El cable de alimentación no se puede reparar ni sustituir. En caso de daño se debe sustituir todo el aparato.
- La temperatura del líquido no debe superar los 35° C.
- Cuando conecte el filtro con la red, asegúrese de que el punto más bajo del cable eléctrico esté más abajo de la toma eléctrica para evitar que eventuales gotas de agua presentes en el cable puedan entrar accidentalmente en la misma toma (**Fig. 1**).
- Este producto no es apto para los niños o las personas inhábiles dejadas sin vigilancia.
- Asegúrese de que el tubo de aspiración siempre esté sumergido para que el filtro nunca trabaje en seco.



APERTURA DEL PAQUETE

En el paquete de un filtro BLUEXTREME se encuentran:

- 1 filtro externo BLUEXTREME con bomba y materiales filtrantes (esponjas y navajas).
- 2 tubos flexibles de PVC atóxico de 1,5 ó 2 metros (Ø 15/21 mm).
- n°2 (BLUEXTREME 700) ó 4 (BLUEXTREME 1100-1500) cápsulas BLUSTARTS (cápsulas especiales que hacen más veloz el proceso de maduración del filtro).
- **KIT DE ACCESORIOS** con:
 - 1 tubo de aspiración extensible con rejillas, tapón hermético para la aplicación del filtro y abrazadera para la fijación con el tubo flexible;
 - 1 tubo de envío con extensión, racor para spray-bar o tobera y abrazadera para la fijación con el tubo flexible;
 - 1 spray-bar;
 - 1 tobera dirigible;
 - 6 clips largos con gancho/freno;
 - 4 clips cortos con gancho/freno;
 - 10 ventosas;
 - 4 patitas de apoyo del filtro;
 - n°2 soportes para clips.



DATOS TÉCNICOS DE LOS FILTROS BLUEXTREME

BLUEXTREME	CAUDAL	MAYORÍA	VOLUMEN INTERNO DE LA TINA	VOLUMEN FILTRANTE BIOLÓGICO	POTENCIA	VOLUMEN DE LA TINA DEL ACUARIO	DIMENSIONES	CESTAS FILTRANTES
modelo	L/h	m	L	L	W	L	cm	n°
700	700	1,3	5,5	1	12	< 150	22 x 22 - h 34	3
1100	1100	1,5	7	1	16	150 < l < 300	22 x 22 - h 40	4
1500	1500	2,2	11	2,5	32	< 500	26 x 26 - h 46	4



BLUEXTREME: descubra todas sus grandes cualidades

Manija del filtro

Práctica manija para transportar el filtro incluso cuando está lleno de agua (Fig. A/1).

Palanca de desenganche de las válvulas

Práctica palanca que simplifica la extracción del grupo válvulas de la tapa del filtro durante las operaciones de mantenimiento (Fig. A/2).

NOTA: el grupo válvulas se puede extraer de la tapa sólo si la palanca se encuentra en posición vertical.

Palanca de apertura de las válvulas (safety system)

Palanca que permite la apertura y el cierre de las válvulas y la regulación del caudal (Fig. A/4).

Racores tubo con abrazadera

Prácticos racores dirigibles a 360° (Fig. A/7) que permiten, por medio de la abrazadera, la fijación segura con el tubo flexible (Fig. A/3).

Grupo válvulas

Elemento que se puede extraer fácilmente de la tapa gracias a la palanca de desenganche que contiene las válvulas para la interceptación del flujo del agua (Fig. A/10).

NOTA: cuando se extrae de la tapa, un sistema especial bloquea la palanca de apertura de las válvulas para evitar que se pueda mover accidentalmente y, por lo tanto, causar desagradables pérdidas de agua.

Ganchos

Cuatro robustos ganchos para una estanquidad segura entre la tapa y la tina del filtro (Fig. A/5). Un botón especial permite bloquear el gancho cuando está cerrado, para evitar desagradables aperturas accidentales (Fig. A/6).

NOTA: rojo: Gancho bloqueado, verde: gancho desbloqueado.

Empaquetadura de la tina

Especial empaquetadura de goma EPDM para garantizar la máxima estanquidad entre la tapa y la tina (Fig. A/8).

Empaquetadura de la precámara

Especial empaquetadura de EPDM expandido con celdas cerradas que garantiza el flujo de agua desde la entrada del filtro hasta el fondo de la tina, sin ningún pasaje preferencial (Fig. A/9).

Cesta de las navajas

Práctica cesta que contiene a las navajas para la filtración biológica.

Esta posición optimiza la eficiencia de su filtración (Fig. B/1).

Tubo de pasaje del agua

Tubo integrado a la tina que asegura el flujo directo del agua desde el acuario hasta el fondo de la tina (Fig. B/2).

Cestas de materiales filtrantes

Prácticas cestas que contienen esponjas de diferentes porosidades, que se pueden adaptar fácilmente con otros tipos de materiales (Fig. B/3). Los especiales mangos regulables aseguran una posición siempre bien adherente a la pared de la tina, para evitar los pasajes preferenciales del agua alrededor de las esponjas (Fig. B/4). Los materiales filtrantes se pueden sustituir con otros como la lana de perlón BLUFIBRE (filtración mecánica), los carbones activos en gránulos BLUCARBON y la zeolita BLUZEOLITE (filtración absorbente) u otros materiales, poniendo atención para no obstruir el filtro.

Tubo de aspiración

Tubo especial para la aspiración del agua en el acuario, su longitud se puede regular (Fig. C/6). El tubo incluye una rejilla para evitar la entrada de hojas o peces en el filtro (Fig. C/7) y un agujero con tapón para la aplicación del filtro (Fig. C/8). Además, la abrazadera asegura una fijación segura con el tubo flexible.

Tubo flexible

Tubo flexible especial de PVC de 15/21 mm de diámetro disponible ya precortado en dos trozos.

Fig. A

- 1 Manija del filtro
- 2 Palanca de desenganche
- 3 Abrazaderas
- 4 Palanca de apertura de las válvulas y regulación del caudal
- 5 Gancho
- 6 Botón de seguridad cierre gancho
- 7 Racores para el tubo de entrada y salida del agua
- 8 Empaquetadura de la tina
- 9 Empaquetadura de la precámara
- 10 Grupo válvulas

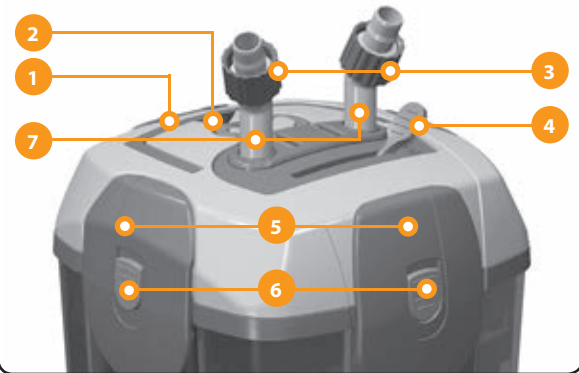
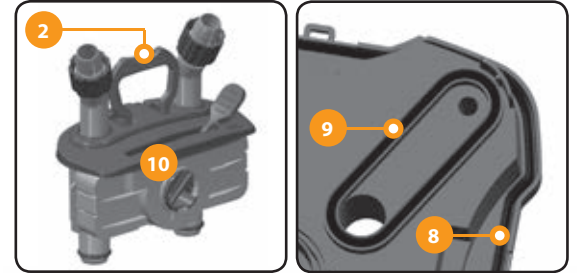
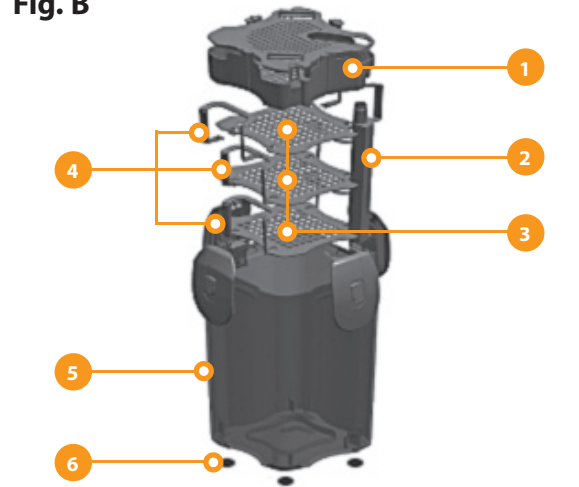


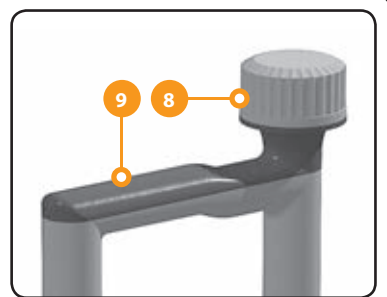
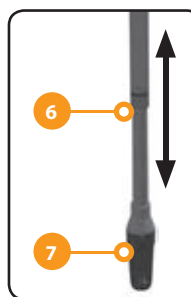
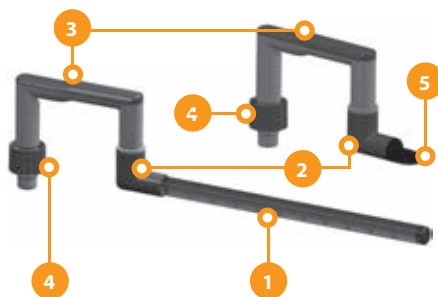
Fig. B



- 1 Cesta para navajas con relativa tapa
- 2 Tubo para el pasaje del agua hacia el fondo de la tina
- 3 Cestas de materiales filtrantes con esponjas
- 4 Mangos de las cestas regulables
- 5 Tina
- 6 Patitas de apoyo

Fig. C

- 1 Spray-bar
- 2 Racor en forma de L
- 3 Racor sin tapón
- 4 Abrazadera para la fijación con el tubo flexible
- 5 Tobera dirigida
- 6 Tubo de aspiración regulable
- 7 Rejilla
- 8 Tapón hermético para la aplicación del filtro
- 9 Racor con tapón



Preparación del acuario

- Prepare el acuario como le ha aconsejado su revendedor de confianza o como se indica en el relativo manual de instrucciones.
- De cualquier manera, si está preparando un acuario con peces tropicales de agua dulce, le aconsejamos colocar uniformemente en el fondo una capa sutil de fertilizante.
- Llene la tina de agua (le aconsejamos utilizar el 50% de agua del grifo y el **50% de agua desmineralizada** para acuarios, aunque este porcentaje pueda variar según las características del agua de su grifo).
- Después programe la temperatura del calefactor según las especies de peces y plantas que ha escogido (por ejemplo, para acuarios tropicales de agua dulce la temperatura media es de aproximadamente 25-26° C).

Instale el filtro externo como se indica a continuación:

(Incluso la introducción de las pastillas BLUSTART)

- Disponga las plantas en el acuario después de 24 horas de la introducción del agua en la tina de manera que la temperatura y los valores químicos del agua se hayan estabilizado.
- Antes de introducir los peces deberá esperar 10-12 días, de manera que el filtro esté activo. Le aconsejamos verificar los parámetros del agua de su acuario con el medidor MULTISTICK TESTER. Además, su revendedor de confianza podrá aconsejarle los valores ideales de temperatura, dureza, etc., en función de las especies de peces y vegetales que ha decidido criar en su acuario. Es oportuno repetir el control con una cierta frecuencia. Cuando introduzca sus peces agregue las pastillas BLUSTART abastecidas en dotación con el filtro (1 en el 700 y 2 en el 1100 y 1500) en el fondo de la tina del filtro (podrá introducir las fácilmente a través del tubo **Fig. D**).
- Durante el periodo necesario para la maduración del filtro, suministre todos los días una pequeña dosis de comida seca: hará más sencilla la formación de la flora bacteriana.

Preparación e instalación del filtro

- Pegue en el fondo de la tina del filtro las 4 patitas de apoyo (**Fig. B/6**).
- Coloque el filtro BLUEXTREME debajo del nivel de su acuario (si quiere colocarlo al lado de su acuario puede hacerlo después de haberlo puesto en marcha).
- Todos los modelos Ferplast están predispuestos para acoger de la mejor manera el filtro y facilitar el pasaje de los tubos.

NOTA: desde la base de apoyo del filtro al punto de entrada de los tubos en el acuario no debe haber más de **160 cm**.

- Introduzca el grupo válvulas en su alojamiento; después baje la palanca de desenganche y verifique que la palanca de regulación se encuentre en posición **DESBLOQUEADO**.
- Extraiga la tapa de la tina del filtro actuando sobre los ganchos (recuerde que antes se deben levantar los 4 botones de seguridad, pasando del color rojo al color verde, **Fig. E**) y verifique que los materiales filtrantes estén colocados correctamente; suelte 1 (700) ó 2 (1100-1500) cápsulas BLUSTART en el fondo de la tina del filtro (podrá introducir las fácilmente a través del tubo). Después cierre el filtro colocando la tapa arriba de la tina, bloqueándola con los cuatro ganchos y cerrando los botones de seguridad.

NOTA: no cierre un gancho a la vez sino un par a la vez (opuestos uno al otro).

Ponga atención al correcto montaje y la correcta orientación de la tapa en la tina, dirigiéndola de manera de garantizar la continuidad del pasaje del agua de la entrada a la salida (**Fig. F**). Además, asegúrese de que no haya huellas de suciedad o cuerpos extraños en las empaquetaduras que se encuentran debajo de la tapa.

- Posicionar los tubos de flujo y succión dentro del acuario, asegurando que se ajustan con los accesorios apropiados (**Fig. G**).

NOTA: los acuarios FERPLAST están oportunamente predispuestos para el pasaje de los tubos (**Fig. H**).

- En los modelos CAYMAN, DUBAI y CAPRI en la parte posterior de la tapa se encuentran unos tacos que se pueden despegar fácilmente.

- En los modelos STAR las rejillas de aireación posteriores se pueden despegar fácilmente para permitir el pasaje de los tubos.

- Le aconsejamos colocar las unidades de envío y de aspiración cerca de los dos ángulos posteriores en posiciones contrapuestas de manera que no se creen pasajes directos entre las mismas. De hecho, dichos pasajes comprometerían el buen funcionamiento de su acuario.

NOTA: en el acuario CAYMAN 60, a causa del espacio a disposición reducido, no es posible utilizar los racores en forma de "C" en el ángulo izquierdo del acuario; por lo tanto, le aconsejamos colocar la aspiración en el lado derecho y el envío en el lado izquierdo, entrando en este último directamente con el tubo flexible.

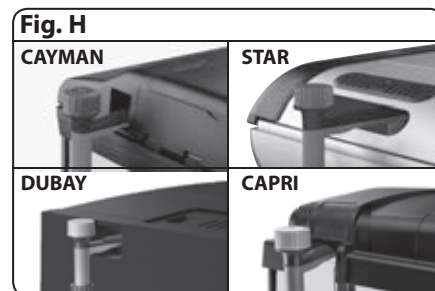
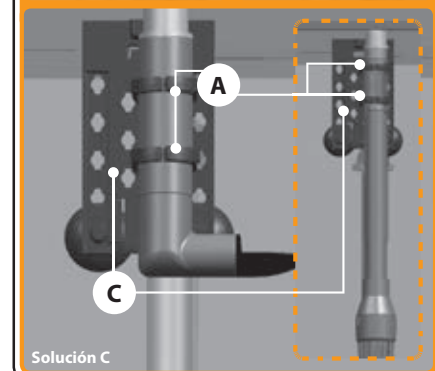
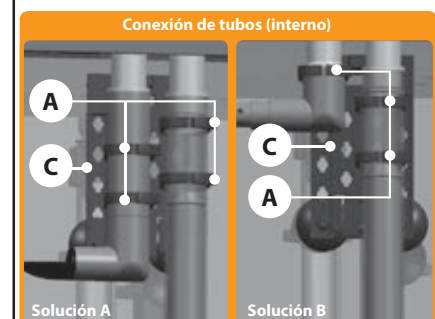
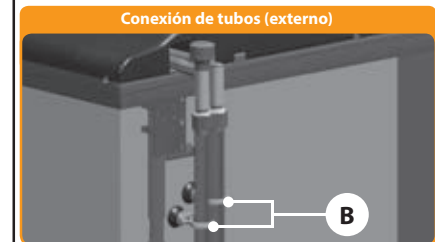
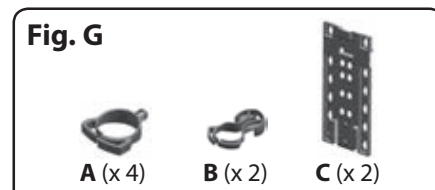
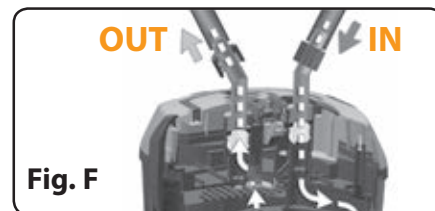
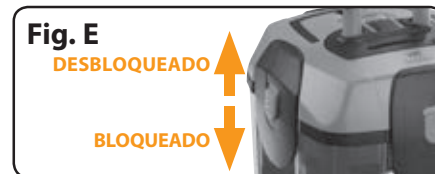
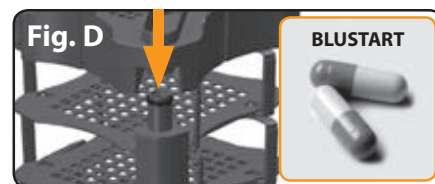
TUBOS DE ASPIRACIÓN

Coloque el racor con tapón (**Fig. C/9**) en el acuario y conecte el tubo semitransparente hacia el lado interno del acuario; después, introduzca el tubo de regulación de la altura (**Fig. C/6**), del que preventivamente ha conectado la rejilla en el fondo. Después regule la posición de la rejilla en el acuario de manera que se mantenga aproximadamente a 3-4 cm del fondo de la tina.

TUBOS DE ENVÍO

Coloque el racor sin tapón (**Fig. C/3**) en el acuario y conecte, según sus exigencias, el racor en forma de "L" con o sin su relativa extensión (**Fig. C/2**). Después puede conectar la spray-bar (**Fig. C/1**) o la tobera dirijible a 360° (**Fig. C/5**). Conecte los tubos flexibles con los racores del tubo del filtro y con las unidades de envío y de aspiración, poniendo atención para no invertir su sentido (**IN** del filtro hacia la unidad de aspiración, **OUT** del filtro externo hacia la unidad de envío **Fig. F**). Después de haberlos introducido en su alojamiento, utilice las abrazaderas para fijarlos de manera segura.

NOTA: los cortes de los tubos flexibles deben ser exactos y de la correcta longitud; después se deben conectar en modo que no creen curvas (esto facilita también la aplicación del filtro) o pliegues (ya que comprometerían el caudal del agua).





Puesta en marcha del filtro (sistema self-priming)

- 1 Asegúrese de que la palanca de apertura de las válvulas se encuentre en posición de cierre.
- 2 Abra el tapón que se encuentra arriba de la unidad de aspiración e introduzca un vaso de agua (aproximadamente 150 cc).
- 3 Cierre bien el tapón.
- 4 Abra las válvulas del filtro utilizando la palanca apropiada. De esta manera el sistema se autoactiva.
- 5 Ahora encienda el filtro conectándolo con la toma eléctrica. Con la palanca es posible regular el caudal de salida del agua.

NOTA: en cuanto lo ponga en marcha, asegúrese de que en el filtro no haya pérdidas. Después de dos horas de funcionamiento, verifique que el filtro funcione correctamente y vuelva a controlar que no haya pérdidas. Si el agua no corre de manera satisfactoria en el tubo de salida, verifique las conexiones del tubo y asegúrese de que no esté obstruido o doblado. Sacudiendo ligeramente el filtro es posible hacer salir el eventual aire presente en su interior.

Mantenimiento

Importante: desconecte siempre el filtro de la tensión eléctrica antes de realizar cualquier operación de mantenimiento.

El mantenimiento del filtro se debe realizar con frecuencia regular, por lo menos cada 3-4 semanas, y, de cualquier manera, en caso de evidente reducción del nivel del caudal.

Para realizar el mantenimiento:

- Cierre las válvulas utilizando la palanca (Fig. I/5a).
- Desconecte el filtro de la tensión.
- Espere unos segundos y después extraiga el grupo válvulas utilizando la palanca de desenganche que facilitará su extracción (Fig. I/5/b).
- Transporte el filtro hacia la zona donde quiere realizar la limpieza, utilizando la manija (Fig. I/5/c).
- Abra el filtro utilizando los ganchos (le recordamos levantar los botones de seguridad).
- Extraiga la cesta de las navajas (**NOTA: no se deben lavar los materiales filtrantes biológicos de manera que conserven las asociaciones bacterianas que los hacen activos**).
- Enjuague las esponjas para la filtración mecánica y absorbente, extrayéndolas por medio de los oportunos mangos de las cestas:
 - Las esponjas para la filtración mecánica se deben sustituir por lo menos cada 6 meses; utilice sólo recambios originales BLUMEC.
 - El efecto de la esponja absorbente termina en 2-3 semanas; por lo tanto, le aconsejamos sustituirla con un recambio original BLUCLEAR o dejarla en el filtro con función mecánica; de cualquier manera, se debe sustituir cada 6 meses.
 - La esponja absorbente se puede sustituir también con otros materiales como los carbones activos en gránulos BLUCARBON o la zeolita BLUZEOLITE (se aconseja colocarlos con la bolsa adecuada).
 - Durante los periodos de curación con fármacos terapéuticos específicos, la esponja absorbente se debe extraer del filtro (para no reducir su efecto benéfico). Terminado este periodo le aconsejamos introducir una esponja nueva.
- Limpie por lo menos cada 3-4 meses el rotor y el eje de la bomba del filtro:
 - Retire la pequeña tapa de la bomba empujando la lengüeta hacia el rotor y extrayéndolo simultáneamente (Fig. I/6a-b).
 - Extraiga el rotor y el eje y limpie con un cepillo suave y con agua tibia (no utilice detergentes o abrasivos).
 - Vuelva a ensamblar la bomba actuando de manera inversa, asegurándose de que el eje de cerámica esté en su alojamiento en el casquillo (al manejarlo tenga cuidado ya que es especialmente frágil).
- Vuelva a ensamblar el filtro; ponga atención a reintroducir en el orden correcto los materiales filtrantes: Esponja azul de malla ancha en la parte inferior, esponja azul de malla estrecha en medio (sólo 1100 y 1500), esponja de carbones activos en la parte superior, y, finalmente, la cesta con las navajas.
- Coloque el filtro cerca de la tina y vuelva a introducir el grupo válvulas en su alojamiento.

Atención: en el caso de que un poco de agua quede depositada en la tapa interna, antes de colocarlo en el filtro deje salir el agua simplemente inclinando la tapa.

• Si habrá actuado correctamente, la simple apertura de las válvulas y la conexión con la red eléctrica volverá a poner en marcha el filtro. En caso de que, por cualquier razón, el filtro no se pusiera en marcha, vuelva a realizar el procedimiento descrito en el punto "Puesta en marcha del filtro".

Otras actividades de mantenimiento:

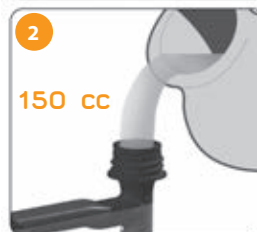
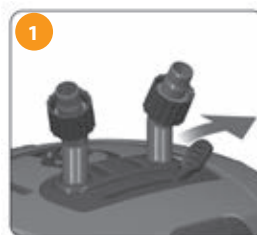
- **Empaquetadura:** para garantizar siempre una perfecta estanquidad del filtro, le aconsejamos sustituir las empaquetaduras por lo menos cada año, por medio del kit Ferplast adecuado.
- Limpie periódicamente la rejilla de aspiración, verificando que nunca esté obstruida.
- Limpie regularmente los tubos flexibles de manera que las algas y la suciedad no puedan de ninguna manera reducir o impedir el pasaje del agua.

Recambios y accesorios

Cualquier parte del filtro BLUEXTREME se puede sustituir fácilmente. Los recambios están disponibles en la tienda donde ha comprado el filtro. Además, están disponibles numerosos accesorios Ferplast continuamente actualizados, útiles para adecuar el acuario a las más diferentes exigencias. Para la sustitución de cualquier componente y garantizar siempre la máxima funcionalidad y seguridad de su producto, es necesario utilizar sólo recambios originales Ferplast. El utilizar de recambios no originales hace decaer la garantía.

Garantía

La empresa Ferplast garantiza el filtro BLUEXTREME y todos sus componentes y accesorios en los límites previstos por la presente cláusula y por las disposiciones de la ley vigentes. La garantía es válida sólo por defectos de fabricación e incluye la reparación o la sustitución gratuita. La garantía decae por daños o defectos causados por incuria, desgaste, uso no conforme a las indicaciones y advertencias descritas en el presente manual, accidentes, alteraciones, uso impropio, reparaciones erradas, adquisición sin comprobante de pago. Quedan excluidos de la garantía las esponjas, las empaquetaduras y los materiales filtrantes en general.



SELF-PRIMING SYSTEM

Auto encendido

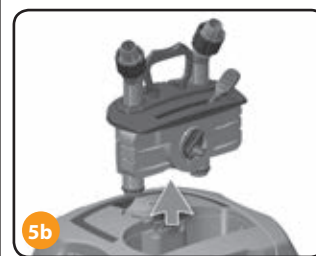
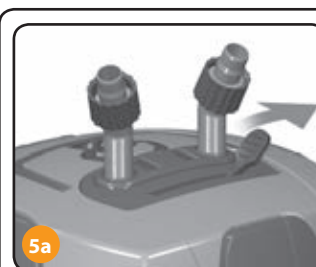
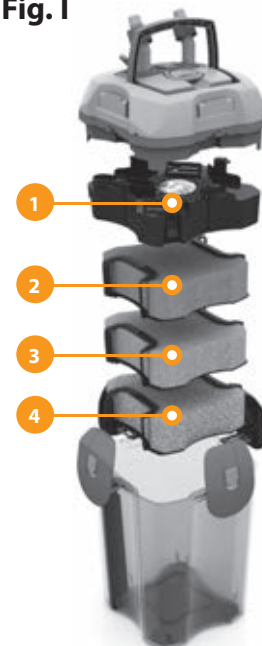
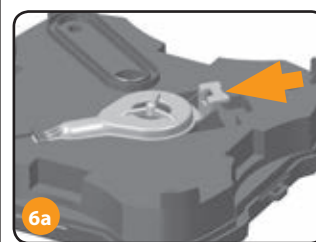


Fig. I



- 1 Cesta con las navajas
- 2 Esponja absorbente
- 3 Esponja de malla estrecha
- 4 Esponja de malla ancha



Recambios y accesorios

Cualquier parte del filtro BLUEXTREME se puede sustituir fácilmente. Los recambios están disponibles en la tienda donde ha comprado el filtro. Además, están disponibles numerosos accesorios Ferplast continuamente actualizados, útiles para adecuar el acuario a las más diferentes exigencias. Para la sustitución de cualquier componente y garantizar siempre la máxima funcionalidad y seguridad de su producto, es necesario utilizar sólo recambios originales Ferplast. El utilizar de recambios no originales hace decaer la garantía.

Garantía

La empresa Ferplast garantiza el filtro BLUEXTREME y todos sus componentes y accesorios en los límites previstos por la presente cláusula y por las disposiciones de la ley vigentes. La garantía es válida sólo por defectos de fabricación e incluye la reparación o la sustitución gratuita. La garantía decae por daños o defectos causados por incuria, desgaste, uso no conforme a las indicaciones y advertencias descritas en el presente manual, accidentes, alteraciones, uso impropio, reparaciones erradas, adquisición sin comprobante de pago. Quedan excluidos de la garantía las esponjas, las empaquetaduras y los materiales filtrantes en general.

BLUEXTREME 700/1100/1500

PREFÁCIO

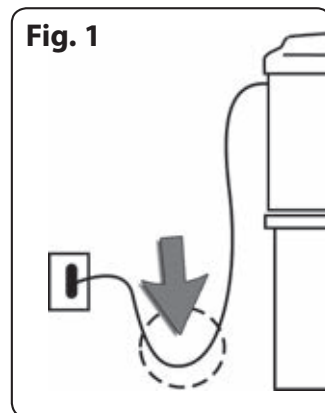
Parabéns por ter escolhido um filtro externo BLUEXTREME por Ferplast, desenvolvido para sua completa satisfação e para assegurar a saúde de seus peixes e plantas, sem negligenciar sua segurança, uma vez que a potente bomba que é integrada no filtro é completamente submersível e cada componente está em conformidade com normas internacionais de segurança (CEI EN 60335-2-41).

Instalação e manutenção do filtro vão ser fáceis e divertidas. E, graças ao BLUEXTREME, apenas alguns minutos de manutenção todo mês são suficientes para ter um aquário que está sempre em condições perfeitas e eficientes.

AVISOS PRELIMINARES

- Certifique-se que a voltagem indicada na embalagem do equipamento corresponde à rede de energia elétrica.
- O filtro foi desenvolvido para uso interno.
- Assegure-se que sua casa está protegida contra sobrecargas por um interruptor disjuntor com corrente de intervenção que não seja superior a 30 mA.
- Desconecte o aparelho da energia elétrica antes de executar qualquer operação de manutenção.
- O conector de energia não deve ser reparado ou substituído: em caso de danos, substitua todo o equipamento.
- A temperatura do líquido não deve ultrapassar 35°C.
- Quando o filtro está conectado na tomada assegure-se de que a ponta mais baixa do conector de energia fique ainda mais baixa do que a tomada elétrica; para evitar que eventuais pingos de água presentes no conector possam acidentalmente entrar em contato com a tomada (**fig 1**).
- Este produto não é adequado para o uso de crianças ou pessoas portadoras de deficiências sem supervisão.
- Certifique-se que o tubo de sucção esteja sempre submerso, de modo que evite que o filtro fique seco.

Fig. 1



ABRINDO A EMBALAGEM

Dentro da embalagem de BLUEXTREME você vai encontrar:

- 1 filtro BLUEXTREME externo, completo com bomba e material de filtragem (esponjas e cilindros de cerâmica);
- 2 tubos flexíveis de PVC não-tóxico de comprimento 1,5 ou 2 metros (Ø 15/21 mm);
- 2 (BLUEXTREME modelo 700) ou 4 (BLUEXTREME modelos 1100 - 1500) cápsulas BLUSTART (cápsulas especiais que aceleram o processo de amadurecimento do filtro);
- Kit de acessórios, inclui:
 - Um tubo de sucção extensível completo com grade, tampa de fixação para conexão do filtro e ferrolho fixador para o tubo flexível;
 - 1 tubo de descarga completo com extensão, encaixes para barra de pulverização ou bocal e ferrolho fixador para o tubo flexível;
 - 1 barra de pulverização;
 - 1 bocal rotatório;
 - 6 grampos longos com roquete;
 - 4 grampos curtos com roquete;
 - 10 ventosas;
 - 4 pernas de suporte para o filtro;
 - 2 cliques de suporte.



BLUEXTREME 700

BLUEXTREME 1100

INFORMAÇÕES TÉCNICAS DO FILTRO BLUEXTREME

BLUEXTREME	CAPACIDADE	PREVALÊNCIA	VOLUME INTERNO DO TANQUE	VOLUME DE FILTRAGEM BIOLÓGICA	POTÊNCIA	VOLUME DO TANQUE DO AQUÁRIO	DIMENSÕES	CESTO DE FILTRAGEM
model	L/h	m	L	L	W	L	cm	n°
700	700	1,3	5,5	1	12	< 150	22 x 22 - h 34	3
1100	1100	1,5	7	1	16	150 < l < 300	22 x 22 - h 40	4
1500	1500	2,2	11	2,5	32	< 500	26 x 26 - h 46	4



EN

IT

FR

D

NL

ES

PT

SK

CS

HU

SV

DA

RU

PL

BLUEXTREME:

descubra todas as suas qualidades impressionantes

Alça do filtro

Uma alça muito fácil para transportar o filtro, desenvolvido para suportar até mesmo quando cheio de água (Fig. A/1).

Alavanca de liberação da válvula

Uma alavanca fácil de usar que facilita a extração do grupo de válvulas da tampa do filtro durante operações de manutenção (Fig. A/2).

OBSERVAÇÃO: O grupo de válvulas pode ser extraído da tampa apenas se a alavanca estiver na posição vertical.

Alavanca de abertura da válvula (sistema de segurança)

Uma alavanca que permite a abertura/fechamento das válvulas e regulação do fluxo (Fig. A/4).

Encaixes para tubo com ferrolho

Fáceis de usar, os encaixes rotatórios em 360° (Fig. A/7) com ferrolho permite um encaixe seguro no tubo flexível (Fig. A/3).

Grupo de válvulas

Um elemento facilmente extraído da tampa do tanque graças à alavanca de liberação, que contém as válvulas para a intercepção do fluxo de água (Fig. A/10).

OBSERVAÇÃO: Quando extraída da tampa, um sistema especial bloqueia a alavanca de abertura da válvula, para que ela não possa se mover acidentalmente e causar um incômodo vazamento de água.

Grampos

4 grampos resistentes para uma retenção resistente entre a tampa o filtro do tanque (Fig. A/5). Um botão especial permite o bloqueio do grampo, quando fechado, para evitar uma incômoda abertura acidental (Fig. A/6).

OBSERVAÇÃO: Vermelho: grampo bloqueado; verde: grampo desbloqueado.

Vedação do tanque

Vedação especial em borracha EPDM, para garantir a máxima retenção entre a tampa e o tanque (Fig. A/8).

Vedação antecâmara

Vedação especial em EPDM expandida com alvéolos fechados que garante o fluxo de água a partir da entrada do filtro para o fundo do tanque, sem qualquer preferência de passagem (Fig. A/9).

Cesta de cilindros de cerâmica

Uma cesta fácil de usar contendo cilindros de cerâmica para filtragem biológica.

A posição otimiza a eficiência do filtro. (Fig. B/1).

Tubo de passagem da água

Um tubo integrado que garante um fluxo de água direto do aquário para o fundo do tanque (Fig. B/2).

Cesta de material de filtragem

Cestas fáceis de usar contendo esponjas de porosidade variada, facilmente adaptáveis para outros tipos de materiais (Fig. B/3). As alças especiais ajustáveis asseguram que sua posição esteja sempre bem aderida à parede do tanque, de maneira que evite passagens preferenciais da água ao redor das esponjas (Fig. B/4). Os materiais de filtragem podem ser substituídos por outros incluindo lã acrílica BLUFIBRE (filtragem mecânica), carvão ativo em grãos BLUCARBON e o zeólito BLUZEOLITE (filtragem absorvente) ou outros materiais, tomando cuidado para não entupir o filtro.

Tubo de sucção

Tubo especial para aspiração da água do aquário, comprimento ajustável (Fig. C/6). O tubo inclui uma grade para evitar a entrada de folhas ou peixes dentro do filtro (Fig. C/7) e um orifício com tampa para conexão (Fig. C/8). Além disso, o ferrolho segura o tubo flexível firmemente.

Tubo flexível

Tubo especial flexível em PVC com um diâmetro de 15/21 mm disponível pré-cortado em 2 pedaços.

Fig. A

- 1 Alça do filtro
- 2 Alavanca de liberação da válvula
- 3 Ferrolhos
- 4 Alavanca de abertura e regulação de fluxo da válvula
- 5 Grampo
- 6 Botão de fechamento de segurança do grampo
- 7 Encaixes do tubo para abastecimento de água e descarga
- 8 Vedação do tanque
- 9 Vedação pré-câmara
- 10 Grupo de válvulas

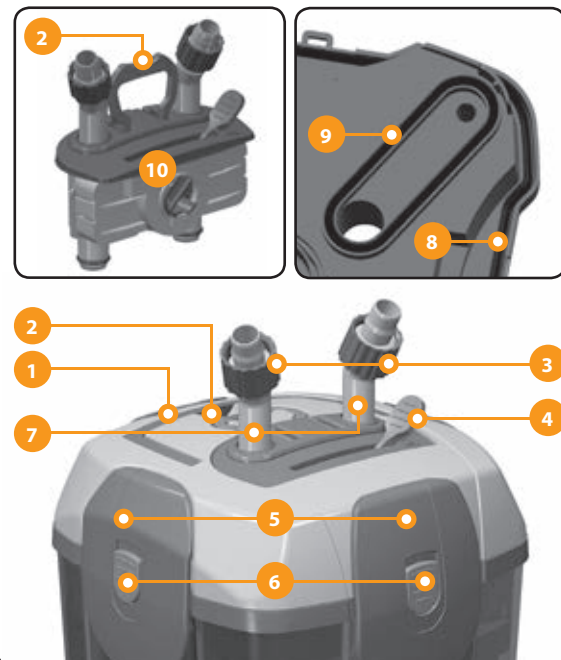


Fig. B

- 1 Cesto de cilindros de cerâmica com tampa
- 2 Tubo de passagem de água para o fundo do tanque
- 3 Cesta de materiais de filtragem com esponjas
- 4 Alças ajustáveis do cesto
- 5 Tanque
- 6 Pernas de suporte

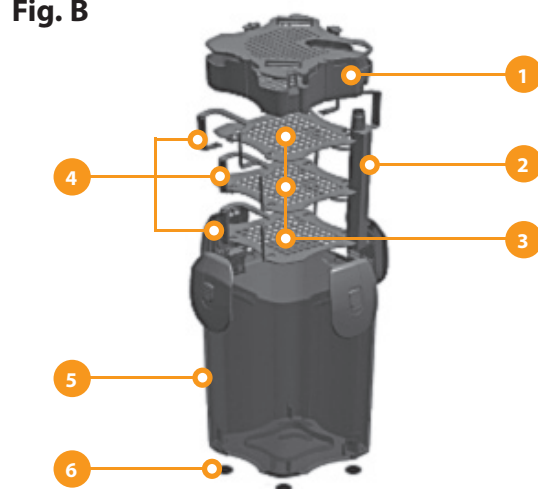
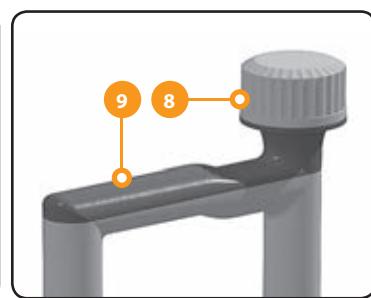
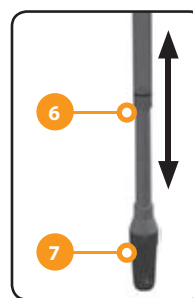
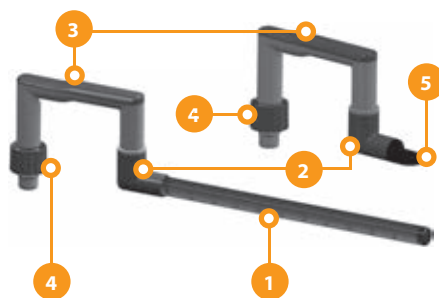


Fig. C

- 1 Barra de pulverização
- 2 Encaixes em formato "L"
- 3 Encaixes sem tampa
- 4 Ferrolhos para anexar ao tubo flexível
- 5 Bocal rotatório
- 6 Tubo de sucção ajustável
- 7 Grade
- 8 Tampa para fechamento da conexão do filtro
- 9 Encaixes com tampa



Montando em um aquário

- Decore o aquário como recomendado pelo seu vendedor de confiança ou indicado no manual de instruções.
- De qualquer maneira, se você está instalando o aquário com peixes tropicais de água doce, recomendamos camada superficial uniforme de fertilizantes.
- Encha o tanque com água (recomendamos o uso de 50% de água da torneira e 50% de água desmineralizada para aquários, ainda assim essa porcentagem pode variar dependendo das características de sua água de torneira).
- Ajuste a temperatura do aquecedor baseando-se nas espécies de peixes e plantas escolhidas (por exemplo, para aquários de água doce tropical, a temperatura média é de aproximadamente 25-26°C).

Instale o filtro externo como descrito abaixo

(Incluindo a inserção das pastilhas BLUSTART)

- Coloque as plantas no aquário após a água ter ficado no tanque por 24 horas, para assegurar-se que a temperatura e os valores químicos da água estão estáveis.
- Antes de colocar os peixes, você deve aguardar 10-12 dias, assim o filtro estará ativo. Recomendamos que você verifique os parâmetros da água de seu aquário com o dispositivo de medição MULTISTICK TESTER. Seu vendedor de confiança também pode recomendar os valores ideais para temperatura, rigidez, etc., de acordo com as espécies de peixes e plantas que você escolheu para seu aquário. É uma boa ideia repetir o controle frequentemente. Quando os peixes forem colocados, acrescente as pastilhas BLUSTART, inclusas com o filtro (1 na versão 700 e 2 nas versões 1100 e 1500) no fundo do tanque do filtro (você pode colocar facilmente pelo tubo, **Fig. D**).
- Durante o período de tempo necessário para manutenção, acrescente uma pequena dose diária de comida seca: vai facilitar a formação da flora bacteriana.

Preparação e instalação do filtro

- Firme os quatro pernas de suporte do filtro no fundo do tanque (**Fig. B/6**).
- Posicione o filtro BLUEXTREME abaixo no nível de seu aquário (se você quiser, posicione na lateral do aquário, que pode ser feito após o início do processo). Todas as estantes da Ferplast foram desenvolvidas para acomodar o filtro e facilitar a passagem dos tubos.

OBSERVAÇÃO: Da base do suporte do filtro até o ponto de entrada dos tubos no aquário não deve ultrapassar mais de 160 cm.

- Insira o grupo de válvulas no lugar; abaixe a alavanca de liberação e certifique-se de que a alavanca de regulação está na posição DESBLOQUEADA.

- Extraia a tampa do tanque do filtro usando os grampos (lembre-se de que os 4 botões de segurança devem ser primeiramente levantados, indo do vermelho para verde, **Fig. E**) e verifique a posição correta dos materiais de filtragem; Coloque 1 (modelo 700) ou 2 (1100-1500) cápsulas BLUSTART no fundo do tanque do filtro (você pode facilmente colocá-los no tubo). Feche o filtro novamente, posicionando a tampa do tanque, bloqueando-a com os quatro grampos e fechando os botões de segurança.

OBSERVAÇÃO: não bloqueie um grampo de cada vez, mas pares de grampos (um oposto ao outro).

Seja cuidadoso com a montagem correta e direção correta da tampa no tanque, posicionando de modo que garanta a continuidade da passagem de água da entrada até a saída (**Fig. F**).

Assegure-se que não há terra ou matérias estranhas nas vedações abaixo da tampa.

- Posicione os canos de fluxo e sucção no seu aquário, certificando-se de fixar eles apropriadamente com os acessórios adequados (**Fig. G**).

OBSERVAÇÃO: os aquários FERPLAST são oportunamente desenvolvidos para a passagem de tubos (**Fig. H**).

- Nos modelos de aquários CAYMAN, DUBAI e CAPRI há blocos de ruptura facilmente removíveis presentes na parte traseira da tampa.

- Nos modelos STAR, as grades traseiras de ventilação podem ser facilmente removidas para permitir a passagem de tubos.

- Recomendamos que você posicione as unidades de fluxo e sucção nos ângulos traseiros, em posições opostas para evitar a formação de passagens diretas entre as duas. De fato, essas passagens podem comprometer o funcionamento eficiente de seu aquário.

OBSERVAÇÃO: nos aquários CAYMAN 60, devido ao tamanho reduzido de espaço disponível, não é possível utilizar os encaixes em "C" no ângulo esquerdo do aquário; portanto recomendamos o posicionamento da sucção no lado direito e o fluxo no lado esquerdo, entrando diretamente no fluxo com o tubo flexível.

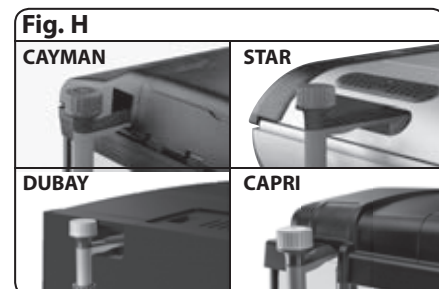
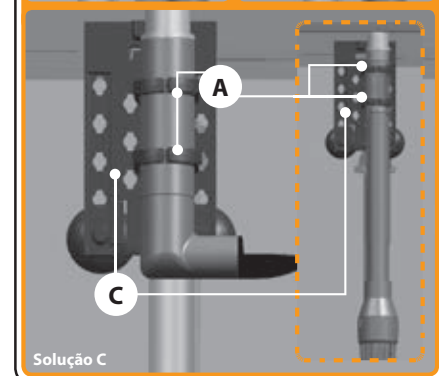
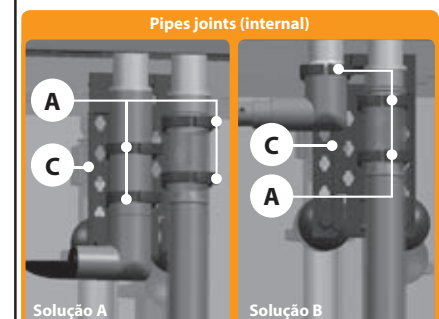
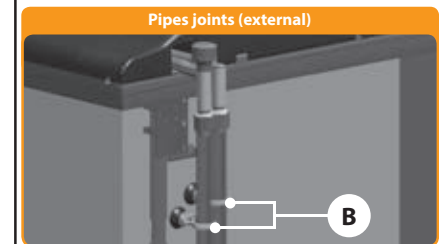
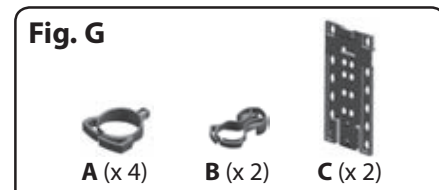
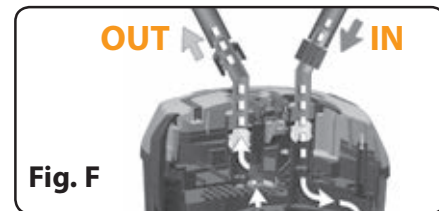
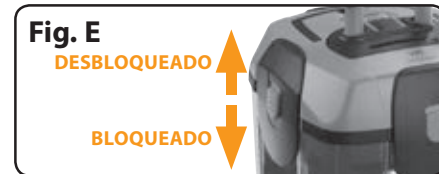
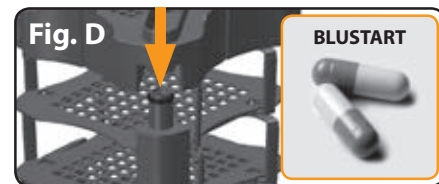
TUBO DE SUCCÃO

Posicione os encaixes "C" com tampa (**Fig. C/9**) no aquário e conecte o tubo semitransparente direcionando o interior do aquário; insira o tubo de regulação da altura (**Fig. C/6**), tendo já conectado a grade no fundo. Então regule a posição da grade no aquário, mantendo longe do fundo do tanque em aproximadamente 3-4 cm.

TUBOS DE FLUXO

Posicione os encaixes "C" sem tampa (**Fig. C/3**) no aquário e conecte o encaixe "L" com ou sem extensão (**Fig. C/2**), dependendo de suas necessidades. Então conecte a barra de pulverização (**Fig. C/1**) ou bocal rotatório (**Fig. C/5**). Conecte os tubos flexíveis no encaixe do tubo do filtro e nas unidades de sucção e fluxo, sendo cuidadoso para não inverter a direção (IN para o filtro em direção a unidade de sucção, OUT para o filtro externo em direção ao tubo de fluxo, (**Fig. F**). Após colocá-los no lugar, use os ferrolhos para encaixá-los com segurança.

OBSERVAÇÃO: Os tubos flexíveis não são cortados com exatidão e no comprimento correto; portanto, eles são destinados a serem conectados de forma que não crie pontas (isso também facilita a conexão do filtro) ou dobras (que pode comprometer a capacidade de água).





EN

IT

FR

D

NL

ES

PT

SK

CS

HU

SV

DA

RU

PL

Ligando o filtro (sistema auto-funcionamento)

- 1 Certifique-se que a válvula de abertura está na posição fechada.
- 2 Abra a tampa localizada acima da unidade de sucção e despeje um copo de água (aproximadamente 150 ml)
- 3 Feche a tampa novamente com cuidado.
- 4 Abra a válvula do filtro usando a alavanca apropriada. Desta maneira, o sistema irá auto-iniciar.
- 5 Ligue o filtro conectando-o na tomada. Usando essa alavanca é possível regular o fluxo e esvaziar a água.

OBSERVAÇÃO:

Uma vez que o filtro foi ligado, certifique-se que não há vazamentos. Após algumas horas de funcionamento, verifique se o filtro funciona corretamente e reveja se não há vazamentos. Se a água não flui de forma satisfatória no tubo de saída, verifique as conexões do tubo e assegure-se de que não estão obstruídas ou torcidas. Ao balançar o filtro levemente é possível deixar sair o ar presente dentro.

Manutenção

Importante: sempre desconecte o filtro da corrente elétrica antes de realizar qualquer manutenção. Manutenção do filtro deve ser realizada regularmente, no mínimo a cada 3-4 semanas e sempre que há uma redução evidente no nível de fluxo.

Para realizar manutenção:

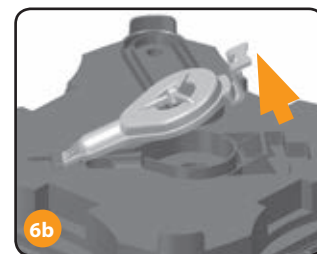
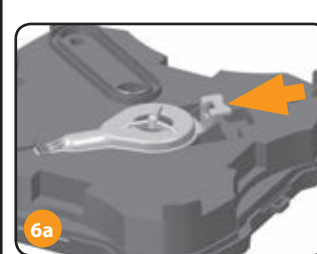
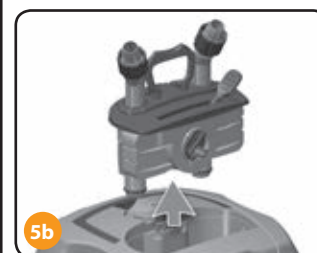
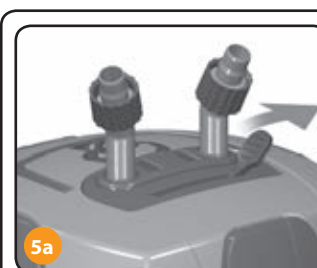
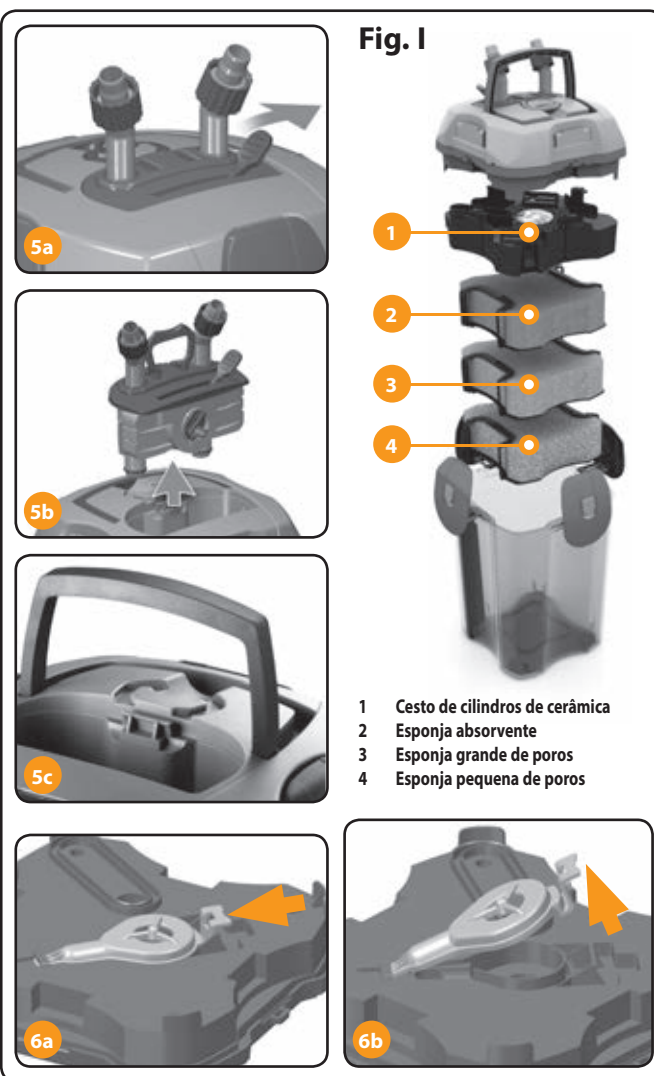
- Feche a válvula usando a alavanca (**Fig. I/5a**);
- Desconecte o filtro da eletricidade;
- Após alguns segundos, retire o grupo de válvulas, usando a alavanca de liberação que facilita a retirada (**Fig. I/5b**);
- Transporte o filtro na direção da área onde você vai limpá-lo, usando sua alça resistente (**Fig. I/5c**);
- Abra o filtro movendo os grampos (lembre-se de levantar os botões de segurança);
- Retire o cesto de cilindros de cerâmica. (**OBSERVAÇÃO:** não é necessário lavar o material de filtragem biológico, para que ele possa manter suas associações bacterianas que mantêm-os ativos);
- Lave as esponjas de filtragem mecânica e absorção, retirando-as através das alças do cesto:
 - As esponjas de filtragem mecânica devem ser substituídas a cada 6 meses;
 - O efeito das esponjas absorventes termina no período de 2-3 semanas; portanto, recomendamos substituí-las com a substituta original BLUCLEAR ou deixá-la no filtro com funcionamento mecânico; neste caso, deve ser substituída a cada 6 meses;
 - A esponja absorvente também pode ser substituída por outros materiais incluindo carbono ativo em grãos BLUCARBON ou zeólito BLUZEOLITE (é recomendado posicioná-los com a embalagem provida);
 - Durante períodos de tratamentos terapêuticos especiais, a esponja absorvente deve ser removida do filtro (para evitar a redução nos seus efeitos benéficos). Uma vez que período termina, recomendamos que você coloque uma nova.
- Limpe o rotor e o eixo da bomba do filtro, pelo menos, a cada 3-4 meses;
 - Remova a tampa da bomba, empurrando a lingueta em direção à ventoinha e puxando-a completamente (**Fig I / 6a-b**);
 - Retire o rotor e eixo e limpe-os com uma escova macia e água morna (não utilize detergentes ou abrasivos);
 - Remonte a bomba revertendo o processo, certificando-se de que o eixo de cerâmica fique firme no seu lugar na tomada (tenha cuidado ao manuseá-lo, devido à sua fragilidade).
- Remonte o filtro; tome cuidado para reinserir os materiais de filtragem na ordem correta: esponja azul de poros no fundo, esponja azul pequena de poros no meio (apenas para os modelos 1100 and 1500), esponja com carbono ativo em seguida e cesto com cilindros cerâmicos no topo.
- Posicione o filtro próximo ao tanque e reinsira o grupo de válvulas no seu lugar. Atenção: se há água na tampa interna, antes de colocar no filtro, deixe a água sair simplesmente inclinando a tampa.
- Se você procedeu corretamente, ao simplesmente abrindo as válvulas e conectando na eletricidade irá ligar o filtro. Se por acaso, por qualquer razão, o filtro não ligue, efetue o procedimento indicado no parágrafo "Ligando o Filtro".

Outras atividades de manutenção:

- Vedação: para garantir uma vedação do filtro sempre perfeita, recomendamos substituir as vedações pelo menos uma vez por ano, com o Kit Ferplast apropriado.
- Periodicamente limpe a grade de sucção, certificando-se de que nunca está bloqueada.
- Regularmente limpe os tubos flexíveis, para que algas ou sujeira não reduzam ou impeçam a passagem de água



Sistema Auto-funcionamento



Peças de reposição e acessórios

Todas as peças do filtro BLUEXTREME são facilmente substituíveis. As peças de reposição estão disponíveis na loja onde você adquiriu o filtro. Há também inúmeros acessórios disponíveis, continuamente atualizados e úteis para suprir as diversas necessidades do aquário. Para a reposição de qualquer componente e para garantir o funcionamento máximo e segurança de seu produto, é necessário usar apenas produtos originais Ferplast. O uso de peças de reposição não originais torna a garantia nula e sem efeito.

Garantia

Ferplast oferece garantia ao filtro BLUEXTREME e todos os seus componentes e acessórios dentro dos limites ilustrados na presente cláusula e pelas disposições da lei aplicável. A garantia é válida somente para defeitos de fabricação e inclui reparos ou substituições sem custo. A garantia não é válida para qualquer dano e/ou defeito causado por negligência, uso que não esteja de acordo com as indicações e avisos relatados neste manual, acidentes, manuseio incorreto, mau uso, reparos inadequados e vendas não acompanhadas de uma nota fiscal. As esponjas, vedações e materiais de filtragem são excluídos da garantia.

Príručka pre užívateľov

Úvod

Gratulujeme Vám k tomu, že ste si vybrali externý filter BLUEXTREME od firmy Ferplast, ktorý bol vytvorený tak, aby úplne vyhovoval Vaším potrebám a zaistil zdravie Vaším rybám a rastlinám bez toho, aby sem zanedbali vašu bezpečnosť. Výkonná pumpa, ktorá je zabudovaná vo filtri je ponorná a každý komponent je v úplnej zhode so vzťahujúcim sa medzinárodným bezpečnostným predpisom ICEI EN 60335-2-412.

Inštalácia a používanie filtra sú veľmi jednoduché a bude to pre Vás zábava. A vďaka BLUEXTREME postačí iba zopár minút údržby raz za mesiac na to, aby ste mali Vaše akvárium vždy v perfektnom stave.

Upozornění

- Uistite sa, že vyznačené napätie na štítku, ktorý je umiestnený na výrobku sa zhoduje s napätím v elektrickej sieti.
- Filter je určený na používanie v interiéri.
- Uistite sa, že Vaša domácnosť je chránená proti prepätiu ističom, ktorý nepresahuje 30mA.
- Pred uskutočnením akejkoľvek údržby odpojte zariadenie od prívodu prúdu.
- Napájacia šnúra nesmie byť opravovaná alebo nahradená inou. V prípade poškodenia vymeňte celé zariadenie.
- Teplota tekutiny nesmie presiahnuť 35°C.
- Keď je filter pripojený k prívodu prúdu, ubezpečte sa, že najnižší bod napájacej šnúry je položený nižšie než elektrická zásuvka, aby ste sa vyhli tomu, že náhodné kvapky vody, ktoré by sa mohli objaviť na šnure prúdu do kontaktu so zásuvkou (**obrázok 1**).
- Tento produkt nie je vhodný na to, aby ho používali deti alebo postihnutí ľudia bez dozoru.
- Uistite sa, že nasávací hadička je vždy ponorená takým spôsobom, aby sa zabránilo vyschnutiu filtra.

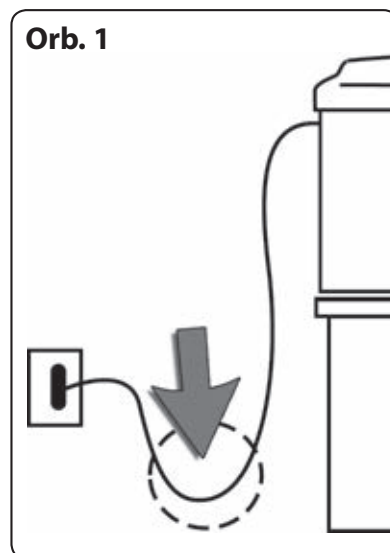


Otvorenie balíka

Vo vnútri balenia BLUEXTREME nájdete:

- 1 Externý filter BLUEXTREME spolu s pumpou a filtračným materiálom (špongie a keramické valčeky)
 - 2 pružné hadičky z netoxického PVC s dĺžkou 1,5 alebo 2 m (Ø 15/21mm)
 - 2 (BLUEXTREME 700) alebo (BLUEXTREME 1100-1500) kapsule BLUESTART (špeciálne kapsule, ktoré urýchľujú proces dozrievania filtra)
- 1 sadu doplnkov vrátane
- 1 predĺžiteľnej nasávacej hadičky spolu s roštom, uzáverom pre pripojenie filtra a upevňovací ochranný krúžok pre pružnú hadičku
 - 1 odvádzajúcu hadičku spolu s predĺžením, úchytkami pre rozprašovač alebo trysku a upevňovací krúžok pre pružnú hadičku
 - 1 rozprašovač
 - 1 rotačnú trysku
 - 4 dlhé úchytky
 - 4 krátke úchytky
 - 8 nasávacích vrchnáčikov
- podporné nožičky, ktoré sa namontujú na spodnú časť filtra.

Orb. 1



BLUEXTREME technické údaje

Model filtra	Kapacita	Prepravná výška	Objem vnútornej nádržky	Objem biologickej filtrácie	Výkon	Objem nádrže akvária	Rozmery	Počet filtračných košíkov
	l/h	m	l	l	W	l	cm	
BluExtreme 700	700	1,3	4	1	12	< 150	22 x 22 - h 34	3
BluExtreme 1100	1100	1,5	5,5	1	16	150 < l < 300	22 x 22 - h 40	4
BluExtreme 1500	1500	2,2	11	2,5	32	< 500	26 x 26 - h 46	4



BLUEXTREME

Objavte všetky jeho neuveriteľné kvality!

Držadlo filtra

Pohodlná rúčka na prepravu filtra, ktorá je vytvorená tak, aby poskytla filtru stabilitu aj vtedy, keď je plný vody (**Obrázok A/1**)

Páčka na uvoľnení ventilu

Páčka na uvoľnenie ventilu, s ktorou sa ľahko manipuluje a ktorá uľahčuje vytiahnutie skupiny ventilov z krytu filtra počas údržby (**obrázok A/2**).

Upozornenie: Skupina ventilov môže byť vytiahnutá z krytu iba vtedy, keď je páčka vo vertikálnej polohe.

Páčka na otvorenie ventilu (bezpečnostný systém)

Páčka, ktorá umožňuje otvorenie/zatvorenie ventilov a reguláciu prietoku (**obrázok A/4**).

Tvarovky s upevňovacím ochranným krúžkom

Jednoduché tvarovky, ktoré je možné otáčať o 360° (**obrázok A/7**) a ktoré majú ochranný upevňovací krúžok zaisťujúci spojenie tvarovky a pružnej hadičky (**obrázok A/3**).

Skupina ventilov

Táto časť sa dá ľahko odobrať z krytu vďaka uvoľňovacej páčke, a ktorá obsahuje ventily slúžiace na zachytávanie prietoku vody (**obrázok A/10**).

Upozornenie: Pri vybratí z krytu špeciálny systém zablokuje páčku otvárania ventilu, takže sa nemôže náhodne pohnúť zapríčiniť pretekание vody.

Háčiky

4 silné háčiky, ktoré slúžia na pevné spojenie krytu a filtračnej nádržky (**obrázok A/5**). Zvláštne tlačidlo umožňuje zablokovanie háčikov pri uzatvorení, aby sa tak zabránilo náhodnému otvoreniu. (**obrázok A/6**).

Upozornenie: červená – háčiky sú zablokované, zelená – háčiky sú odblokované.

Tesnenie nádržky

Špeciálne tesnenie z gumeného EPDM, ktoré zaručuje maximálne pevné spojenie krytu a nádržky (**obrázok A/8**).

Predkomorové tesnenie

Špeciálne tesnenie z expandovaného EPDM s uzavretými bunkami, ktoré zaručujú prechod vody z filtra do nádržky bez akéhokoľvek obtekania (**obrázok A/9**).

Košík s keramickými valčekmi

Košík, ktorý sa ľahko puživa a ktorý obsahuje valčeky pre biologickú filtráciu. Táto poloha optimalizuje účinnosť filtrovania (**obrázok B/1**).

Trubica prechodu vody

Integrovaná hadica, ktorá zaisťuje priame pretekание vody z akvária do spodnej časti nádržky (**obrázok B/2**).

Košík s filtračným materiálom

Košík, ktorý sa ľahko používa, obsahuje špongie s rôznou pórovitosťou, ktoré sa ľahko prispôbujú rôznym typom materiálov (**obrázok B/3**). Špeciálne nastaviteľné držadlá zaisťujú to, že ich poloha je vždy vhodne nastavená podľa stien nádržky a to tak, že zabraňujú obtekanie vody okolo špongií (**obrázok B/4**). Filtračné materiály môžu byť nahradené inými vrátane perlonovej vlny BLUEFIBRE (mechanická filtrácia), aktívnym uhlíkom v zrnách BLUCARBON, zeolitom BLUZEOLITE (absorbčná filtrácia) alebo inými materiálmi, dávajte však pozor, aby ste neupchali filter.

Nasávací hadička

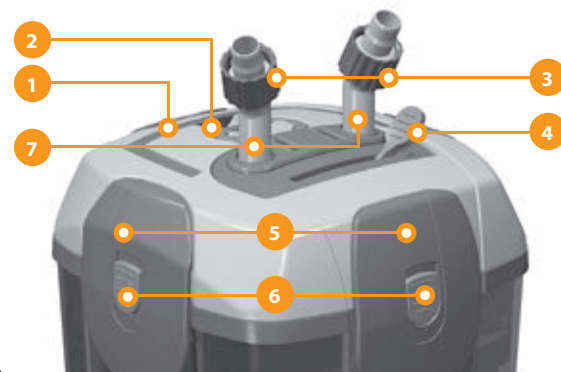
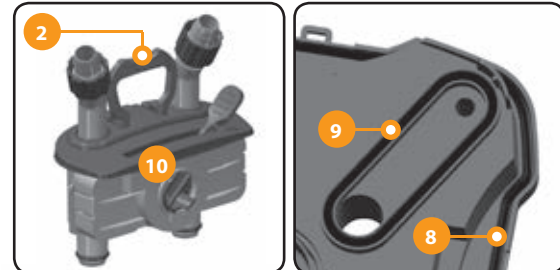
Špeciálna hadička určená na nasávanie vody v akváriu s nastaviteľnou dĺžkou (**obrázok C/6**). Hadička obsahuje mriežku, ktorá zabraňuje nasatiu listov alebo rybičiek do filtra (**obrázok C/7**) a má otvor v vrchnáku pre pripojenie (**obrázok C/8**). Navyše, ochranný upevňovací krúžok zaisťuje pevné uchytenie pružnej hadičky.

Pružná trubica

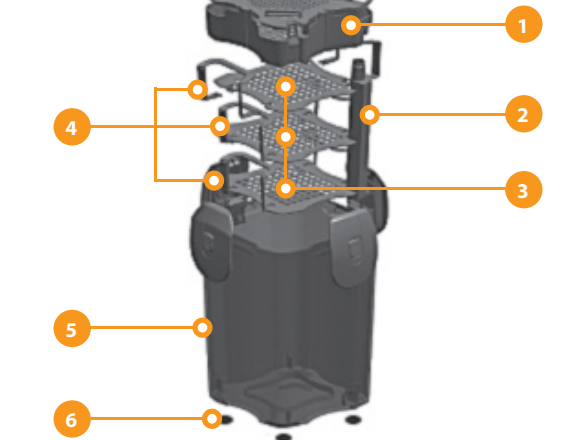
Špeciálna pružná hadica z PVC s priemerom 15/21mm, ktorá sa dodáva už narezaná - 2 kusy.

Orb. A

- 1 držadlo filtra
- 2 páčka na uvoľnenie ventilu
- 3 upevňovacie ochranné krúžky
- 4 páčka na uvoľnenie ventilu a reguláciu prúdenia
- 5 háčik
- 6 bezpečnostné tlačidlo zaistenia háčikov
- 7 upevnenie hadičiek pre prívod a odvádzanie vody
- 8 tesnenie nádržky
- 9 predkomorové tesnenie
- 10 skupina ventilov



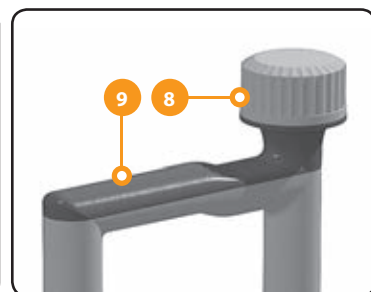
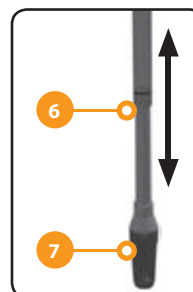
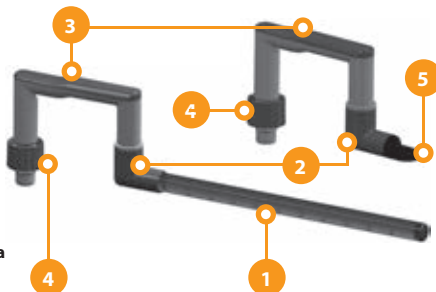
Orb. B



- 1 košík s keramickými valčekmi s krytom
- 2 hadica, ktorou prechádza voda smerujúca k spodnej časti nádržky
- 3 košík s filtračnými materiálmi a špongiami
- 4 nastaviteľné držadlá košíka
- 5 nádržka
- 6 podporné nožičky

Orb. C

- 1 trubica rozprašovača
- 2 L - tvarovky (drobný montážny materiál)
- 3 tvarovky (drobný montážny materiál) bez uzáverov
- 4 upevňovací ochranný krúžok pre pripojenie pružnej hadičky
- 5 rotačná tryska
- 6 nastaviteľná nasávací trubica
- 7 mriežka
- 8 uchytávací vrchnák pre pripojenie filtra
- 9 tvarovky (drobný montážny materiál) s uzávermi



Príprava akvária

- Zložte akvárium tak, ako Vám to odporúča majiteľ obchodu, ktorému dôverujete alebo tak, ako je to uvedené v pokynoch pre užívateľov.
- V každom prípade, ak zakladáte akvárium s tropickými sladkovodnými rybičkami odporúčame, aby ste použili jednotnú vrstvu hnojiva.
- Naplňte nádrž vodou (odporúčame použiť 50% vody z vodovodu a 50% odmineralizovanej vody určenej pre akvária, aj keď percentuálny podiel sa môže meniť v závislosti od vlastností Vašej vody z vodovodu).
- Nastavte teplotu na ohrievači na základe toho, aké druhy rybičiek a rastlín ste si vybrali (napríklad pre akvária s tropickými sladkovodnými rybičkami je priemerná teplota 25-26°C).

Nainštalujte externý filter tak, ako je to popísané nižšie:

(vrátane vloženia tabliet BLUESTART)

- Umiestnite rastliny do akvária až po uplynutí 24 hodín od naplnenia vodou, aby ste sa ubezpečili, že teplota a chemické hodnoty vody sú stabilné.
- Pred vložением rybičiek musíte počkať 10-12 dní, kým sa aktivuje filter. Odporúčame, aby ste si overili parametre vody vo Vašom akváriu pomocou meracieho zariadenia MULTISTICK TESTER of firmy Ferplast. Majiteľ obchodu, ktorý má Vašu dôveru Vám môže tiež odporúčať ideálne hodnoty teploty vody, tvrdosti a pod. podľa druhu rybičiek a rastlín, ktoré ste si vybrali do svojho akvária. Je veľmi rozumné, ak budete túto kontrolu opakovať častejšie. Po vložení rybičiek pridajte tablety BLUESTART, ktoré sú priložené k filteru (1 v 700 a 2 v 1100 a 1500) na spodok nádrčky filtra (môžete ich tam ľahko vložiť pomocou trubičky **Obrázok D**).
- Počas času potrebného na vykonanie údržby filtra pridajte každý deň malé množstvo suchého krmiva, pomôže to vytvárať bakteriálnu flóru.

Príprava a inštalácia filtra.

Zasuňte štyri podporné nožičky filtra do spodnej časti nádrčky (**obrázok B/6**). Umiestnite filter BLUEXTREME pod úroveň Vášho akvária (ak chcete, môžete ho umiestniť na bok akvária, čo sa môže urobiť hneď po spustení). Všetky stojany firmy Ferplast sú vytvorené tak, aby sa prispôbili filteru a uľahčili prechod hadičiek.

Upozornenie: Výška medzi spodnou časťou nožičiek filtra a bodom, v ktorom sa hadičky pripájajú do akvária nesmie presiahnuť 160cm. Vložte skupinu ventilov na svoje miesto, stlačte nadol uvoľňovaciu páčku a overte si, či je regulačná páčka v polohe UVOLNI.

Odoberte kryt nádrčky filtra tak, že uvoľníte háčiky (pamätajte, že 4 bezpečnostné tlačidlá musia byť nastavené tak, aby z červenej prešli na zelenú **Obrázok E**). Overte si, že filtračné materiály sú v správnej polohe. Vložte 1 (700) alebo 2 (1100 a 1500) BLUSTART kapsúl na spodok nádrčky filtra (veľmi ľahko ich tam môžete vložiť pomocou hadičky). Uzavrite filter tak, že kryt položíte na nádržku, zablokujete štyri háčiky a uzavriete štyri bezpečnostné tlačidlá.

Upozornenie: Neuzatvárajte háčiky po jednom, ale vždy dva a dva háčiky (umiestnené oproti). Buďte opatrní a dbajte na to, aby ste kryt nasadili na nádržku správne. Umiestnite ho tak, aby ste zaistili nepretržitý prechod vody od vstupu až k výstupu. (**obrázok F**). Uistite sa, že pod krytom sa na teseniach nenachádza žiadna špina alebo cudzí materiál.

Umiestnite prietokové hadičky a nasávacie hadičky do vnútra Vášho akvária a dbajte na to, aby ste ich upevnili spolu s nasávacími vrchnáčikmi s úchytkami (dlhé alebo krátke, podľa toho, aké potrebujete).

Umiestnite sacie trubky podľa toku v akváriu tak, aby správne držali spolu s vhodným príslušenstvom. (**obr. G**).

Upozornenie: Akvária FERPLAST sú navrhnuté tak, aby hadičky mohli cez ne prechádzať bez problémov (**obrázok H**).

V modeloch CAYMAN, DUBAI, CAPRI sa nachádzajú ľahko odstrániteľné bloky na zadnej strane krytu. V modeloch Star sa zadné otvory mriežok dajú ľahko dostráň a týmito otvormi je možné vložiť hadičky. Odporúčame Vám, aby ste umiestnili prietokovú a nasávaciu jednotku v opačných polohách a zadnom uhle, aby ste zabránili vytvoreniu priameho prechodu medzi nimi. Takýto priamy prechod môže brániť účinnému fungovaniu filtra.

Upozornenie: V akváriu Cayman 60 nie je možné použiť spojovací materiál „C“ v ľavom rohu akvária kvôli tomu, že miesto v tomto akváriu je limitované. Preto odporúčame umiestniť nasávaciu hadičku na pravej strane a prietokovú trubicu na ľavej tak, aby sa dostala priamo do kontaktu s pružnou hadičkou.

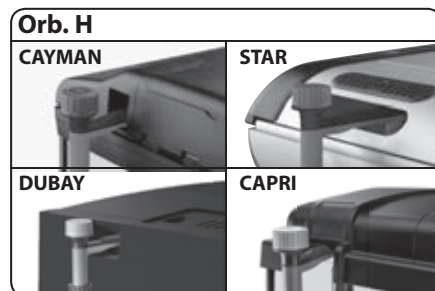
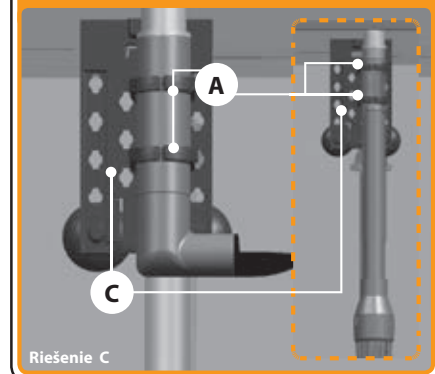
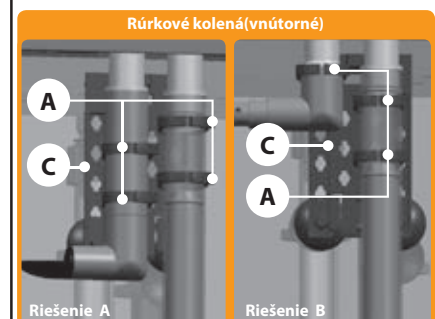
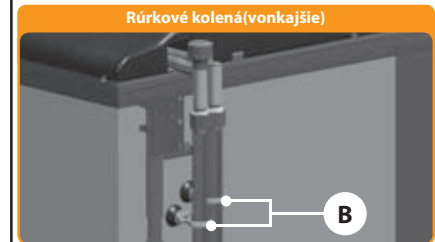
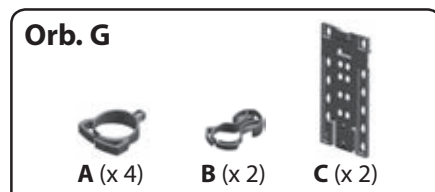
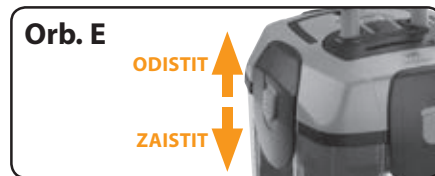
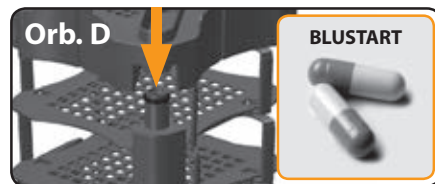
Nasávací hadička

Umiestnite spojovací materiál „C“ s vrchnáčikom (**obrázok C/9**) na akváriu a zapojte polopriehľadnú hadičku na vnútornú stranu akvária, vložte hadičku, ktorá reguluje výšku (**obrázok C/6**) po inštalácii mriežky na spodnú časť. Potom nastavte polohu mriežky akvária tak, aby bola približne 4-5 cm vzdialená od spodnej časti nádrčky.

Prietokové hadičky

Umiestnite spojovací materiál „C“ bez vrchnáčika (**obrázok C/3**) na akváriu a pripojte „L“ tvarovku s alebo bez predĺžovacej časti (**obrázok C/2**) podľa toho, ako Vám to vyhovuje. Potom pripojte rozprašovaciu hadičku (**obrázok C/1**) alebo 360° rotačnú trysku (**obrázok C/5**). Pripojte pružné hadice k upevneniu hadičky filtra a prietokovej a nasávacej jednotke (**obrázok F**). Dbajte na to, aby sme ste nezamenili smer (IN smerom od filtra k nasávacej jednotke, OUT od externého filtra smerom k prietokovej hadičke. Po ich vložení na správne miesto použite ochranné uchytačacie krúžky na ich dôkladné upevnenie.

Upozornenie: Pružné hadičky musia byť odrezané čistým rezom a na správnu dĺžku. potom musia byť pripojené tak, aby sa na nich nevytvárali rohy (čo je tiež potrebné pri pripojení filtra) alebo ohyby (čo by mohlo znížiť kvalitu vody).





EN

IT

FR

D

NL

ES

PT

SK

CS

HU

SV

DA

RU

PL

Začiatok fungovania filtra (samospúšťací systém)

- 1 Ubezpečte sa, že páčka ventilu je polohe Zatvorené.
- 2 Otvorte vrchnák umiestnený nad nasávacou jednotkou a vlejte pohár vody (približne 150 cm³).
- 3 Opatrne uzavrite vrchnák.
- 4 Otvorte ventil filtra použitím príslušnej páčky. Takýmto spôsobom sa systém naštartuje sám.
- 5 Zapnite filter tým, že ho pripojíte do elektrickej zásuvky. Páčkou je možné regulovať prúdenie a vypúšťanie vody.

Upozornenie: Po zapnutí filtra sa ubezpečte, že na ňom nie sú žiadne priesaky vody. Po niekoľkých hodinách prevádzky si overte, či filter funguje správne a znovu skontrolujte, či sa nevyskytli nejaké priesaky. Ak voda nepreteká vypúšťacou hadičkou uspokojivým spôsobom, skontrolujte pripojenia hadičky a uistite sa, že nie sú poškodené alebo ohnuté. Ak filtrom zľahka potrasiete, zbavíte ho akéhokoľvek vzduchu, ktorý ešte mohol ostať vo vnútri.

Údržba

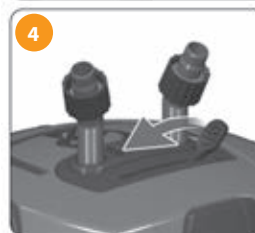
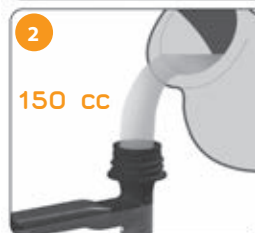
Dôležité: pred vykonaním akejkoľvek údržby vždy odpojte filter od prívodu elektriny. Údržba filtra sa musí robiť pravidelne aspoň každé 3-4 týždne a vždy vtedy, keď nastane zjavné zníženie hladiny prítoku.

Aby ste mohli vykonať údržbu:

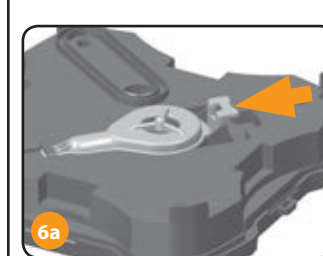
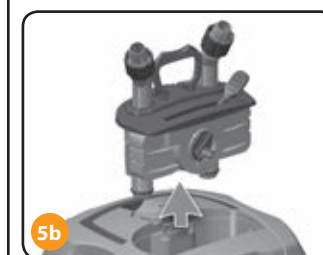
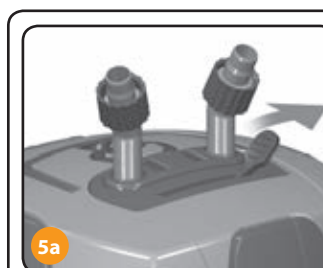
- Uzavrite ventily pomocou páčky (obrázok I/5a).
 - Odpojte filter od elektrického prúdu.
 - Po niekoľkých sekundách vytiahnite skupinu ventilov pomocou páčky na to určenej (obrázok I/5b).
 - Preneste filter na miesto, na ktorom ho budete čistiť tak, že použijete pevné drážadlo (obrázok I/5c).
 - Otvorte filter odistením háčikov (pamätajte, že musíte zdvihnúť bezpečnostné tlačidlá).
 - Odstráňte košík s keramickými valčekmi (Upozornenie: nie je nutné umývať biologický filtračný materiál. Je potrebné aby si tento materiál uchoval svoj bakteriálne zhluky, ktoré ho robia aktívnym).
 - Vytiahnite mechanické a absorpčné filtračné špongie cez protihľadé drážadlá košíka a opláchnite ich.
 - Mechanické filtračné špongie sa musia vymieňať najmenej raz za 6 mesiacov, použite originálne náhradné špongie BLUMEC od firmy Ferplast.
 - Účinky absorpčnej špongie končia v priebehu 2-3 týždňov, preto ich odporúčame nahradiť originálnymi BLUCLEAR náhradami alebo ponechať ich vo filtri, ktorý bude fungovať na mechanickej báze, avšak tieto musia byť vymieňané každých 6 mesiacov.
 - Absorpčná špongia môže byť tiež nahradená inými materiálmi vrátane aktívneho uhlíka v zrnách BLUCARBON alebo zeolitom BLUZEOLITE od firmy Ferplast (odporúča sa umiestniť ich spolu s poskytnutým vrecúškom).
 - Počas obdobia špeciálneho terapeutického liečenia musia byť absorpčné špongie odstránené z filtra (aby sme sa vyhli zníženiu ich pozitívnych účinkov). Po skončení takéhoto obdobia odporúčame, aby ste vložili novú špongiu.
 - Vyčistite rotor a hriadeľ pumpy najmenej každé 3-4 mesiace.
 - Odoberte kryt pumpy, zatlačte príchytku smerom k ventilátoru a úplne ho vytiahnite (obrázok I/6 a-b).
 - Vytiahnite rotor a hriadeľ a vyčistite ich mäkkou kefkou a vlažnou vodou (nepoužívajte čistiace prostriedky alebo abrazíva).
 - Poskladajte pumpu tak, že zopakujete tieto kroky v opačnom poradí a ubezpečte sa, že keramický hriadeľ je dôkladne upevnený na svojom mieste (pri manipulácii s ním buďte veľmi opatrní, je veľmi krehký).
 - Znovu poskladajte filter, dbajte na to, aby ste filtračný materiál vkladali v správnom poradí: modrá špongia s veľkými pórnymi na spodok, modrá špongia s malými pórnymi do stredu (len u 1100 a 1500), nasleduje špongia s aktívnym uhlíkom, a navrch uložíme košík s keramickými valčekmi.
 - Umiestnite filter do blízkosti nádržky a vložte skupinu s ventilmi na svoje miesto.
- Upozornenie:** ak je vo vnútornom kryte nejaká voda, ešte pred jeho uložením na filter ho jednoducho zbavte tejto vody tak, že ho nakloníte.
- Ak ste postupovali správne, jednoduché otvorenie ventilov a zapojenie prístroja do elektrickej siete spustí filter. V prípade, že filter z akéhokoľvek dôvodu nezačne fungovať, realizujte postup opísaný časti nazvanej „Spustenie filtra“.

Iné údržbové činnosti:

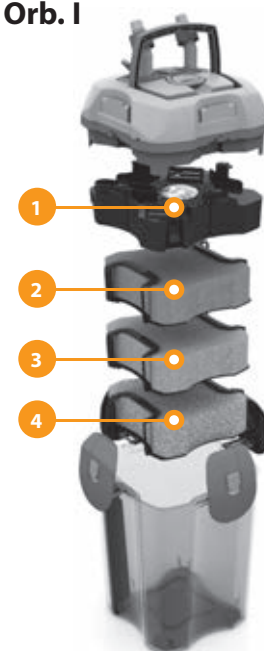
- Tesnenie: zaručuje vždy dokonalé uchytenie filtra, tesnenia odporúčame vymieňať aspoň raz ročne pomocou sady od firmy Ferplast.
- Pravidelne čistite nasávaciu mriežku a kontrolujte, či nie je zablokovaná.
- Pravidelne prečisťujte pružné hadičky tak, aby akékoľvek riasy alebo špina neznižovali alebo nebránili prítoku vody.



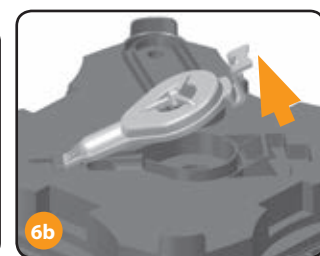
SAMOSPÚŠŤACÍ SYSTÉM



Orb. I



- 1 keramický hranolový kôš
- 2 savá špongia
- 3 špongia s veľkými pórnymi
- 4 špongia s malými pórnymi



Náhradné náplne a príslušenstvo:

Každá časť filtra BLUEXTREME sa dá ľahko vymeniť. Náhradné diely sú k dispozícii v obchode, kde ste kúpili filter. K dispozícii tiež množstvo príslušenstva od firmy Ferplast, ktoré neustále inovujeme a ktoré slúži na prispôsobenie filtra tak, aby vyhovoval rôznym potrebám. Aby ste zaistili úplnú funkčnosť výrobku a jeho bezpečnosť, používajte iba originálne náhradné diely od firmy Ferplast. Nainštalovanie neznačkových náhradných dielov má za následok neplatnosť záruky.

Záruka:

Ferplast poskytuje záruku na BLUEXTREME filter a všetky jeho komponenty a príslušenstvo s odmedzeniami uvedenými v predchádzajúcom odseku a v zmysle ustanovení príslušného zákona. Záruka sa vzťahuje len na výrobné vady a zahŕňa opravy alebo výmenu bez nákladov. Záruka sa nevzťahuje na škody a poruchy zapríčinené zanedbaním, opotrebením, používaním v rozpore s návodom a upozorneniami uvedenými v tomto návode, nehodami, nesprávnou manipuláciou, zneužitím, nenáležitými opravami a ani na predaj, pri ktorom nedošlo k vydaniu príjmového dokladu. Záruka sa nevzťahuje na špongie, tesnenia a filtračný materiál.

Příručka pro uživatele

Úvod

Blahopřejeme Vám k tomu, že jste si vybrali externí filtr BLUEXTREME od firmy Ferplast, který byl vytvořený tak, aby úplně vyhovoval Vaším potřebám a zajistil zdraví Vašim rybám a rostlinám aniž bychom zanedbali vaši bezpečnost. Výkonná pumpa, která je zabudovaná ve filtru je ponorná a každý komponent je v úplné shodě se vztahujícím se mezinárodním bezpečnostním předpisem ICEI EN 60335-2-412.

Instalace a používání filtru jsou velmi jednoduché a bude to pro Vás zábava. A díky BLUEXTREME postačí pouze několik minut údržby jednou za měsíc na to, aby jste měli Vaše akvárium vždy v perfektním stavu.

Upozornění

- Ujistěte se, že vyznačené napětí na štítku, který je umístěn na výrobku se shoduje s napětím v elektrické síti.
- Filtr je určen k používání v interiéru.
- Ujistěte se, že Vaše domácnost je chráněna proti přepětí jističem, který nepřesahuje 30mA.
- Před uskutečněním jakékoliv údržby odpojte zařízení od přívodu proudu.
- Napájecí šňůra nesmí být opravována nebo nahrazena jinou. V případě poškození vyměňte celé zařízení.
- Teplota tekutiny nesmí přesáhnout 35°C.
- Když je filtr připojený k přívodu proudu, ubezpečte se, zda nejnižší bod napájecí šňůry je položen níže než elektrická zásuvka, aby jste se vyhnuli tomu, že náhodné kapky vody, které by se mohli objevit na šňůře, by mohli přijít do kontaktu se zásuvkou (**obrázek 1**).
- Není vhodné, aby tento produkt používali děti nebo zdravotně postižení lidé bez dozoru.
- Ujistěte se, jestli nasávací hadička je vždy ponořena takovým způsobem, aby se zabránilo vyschnutí filtru.

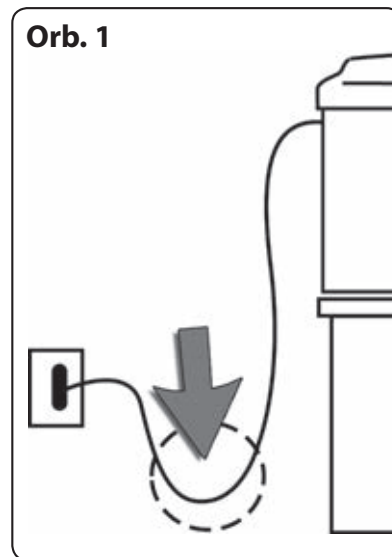


Otevření balíku

Uvnitř balení BLUEXTREME najdete:

- 1 Externí filtr BLUEXTREME spolu s pumpou a filtračním materiálem (houby a keramické valečky);
- 2 pružné hadičky z netoxického PVC s délkou 1,5 nebo 2 m (Ø 15/21mm)
- 2 (BLUEXTREME 700) anebo 4 (BLUEXTREME 1100-1500) kapsle BLUESTART (speciální kapsle, které urychlují proces dozrávání filtru);
- 1 sadu doplňků včetně:
 - 1 prodloužitelná nasávací hadička spolu s roštem, uzávěrem pro připojení filtru a upevňovací ochranný kroužek pro pružnou hadičku;
 - 1 odváděcí hadička spolu s prodloužením, úchytkami pro rozprašovač anebo trysku a upevňovací kroužek pro pružnou hadičku;
 - 1 rozprašovač;
 - 1 rotační tryska;
 - 4 dlouhé úchytky;
 - 4 krátké úchytky;
 - 8 nasávacích víček;
 - podpěrné nožičky, které se namontují na spodní část filtru.

Orb. 1



BLUEXTREME technické údaje

Model filtru	Kapacita	Přepravná výška	Objem vnitřní nádržky	Objem biologické filtrace	Výkon	Objem nádrže akvária	Rozměry	Počet filtračních košíků
	l/h	m	l	l	W	l	cm	
BluExtreme 700	700	1,3	4	1	12	< 150	22 x 22 - h 34	3
BluExtreme 1100	1100	1,5	5,5	1	16	150 < l < 300	22 x 22 - h 40	4
BluExtreme 1500	1500	2,2	11	2,5	32	< 500	26 x 26 - h 46	4



BLUEXTREME: Objevte všechny jeho neuvěřitelné kvality

Držadlo filtru

Pohodlná ručka na přepravu filtru, která je vytvořena tak, aby poskytla filtru stabilitu i když je plný vody (**Obrázek A/1**).

Páčka na uvolnění ventilu

Páčka na uvolnění ventilu, s kterou se lehce manipuluje a která ulehčuje vytáhnutí skupiny ventilů z krytu filtru během údržby (**obrázek A/2**).

Upozornění: Skupina ventilů může být vytáhnutá z krytu jenom když je páčka ve vertikální poloze.

Páčka na otevření ventilu (bezpečnostní systém)

Páčka, která umožňuje otevření/uzavření ventilů a regulaci přítoku (**obrázek A/4**).

Tvarovky s upevňovacím ochranným kroužkem

Jednoduché tvarovky, které je možné otáčet o 360° (**obrázek A/7**) a které mají ochranný upevňovací kroužek zajišťující spojení tvarovky a pružné hadičky (**obrázek A/3**).

Skupina ventilů

Tato část se dá lehce odebrat z krytu díky uvolňovací páčce, a která obsahuje ventily sloužící na zachytávání přítoku vody (**obrázek A/10**).

Upozornění: Při vybrání z krytu speciální systém zablokuje páčku otevření ventilu, takže se nemůže náhodně pohnout a zapříčiní protékání vody.

Háčky

4 silné háčky, které slouží na pevné spojení krytu a filtrační nádrčky (**obrázek A/5**). Zvláštní tlačítko umožňuje zablokování háčků při uzavření, aby se tak zabránilo náhodnému otevření (**obrázek A/6**).

Upozornění červená - háčky jsou zablokované, zelená - háčky jsou odblokované.

Těsnění nádrčky

Speciální těsnění z gumy EPDM, které zaručuje maximální pevné spojení krytu a nádrčky (**obrázek A/8**).

Předkomorové těsnění

Speciální těsnění z expandovaného EPDM s uzavřenými buňkami, které zaručují přechod vody z filtru do nádrčky bez jakéhokoliv obtékání (**obrázek A/9**).

Košík s keramickými válečky

Košík, který se lehce používá a který obsahuje válečky pro biologickou filtraci. **Tato poloha optimalizuje účinnost filtrování** (**obrázek B/1**).

Trubice přechodu vody

Integrovaná hadice, která zajišťuje přímé protékání vody z akvária do spodní části nádrčky (**obrázek B/2**).

Košík s filtračním materiálem

Košík, který se lehce používá, obsahuje houby různé pórovitosti, které se lehce přizpůsobí různým typům materiálů (**obrázek B/3**). Speciálně nastavitelná držadla zajišťují to, že jejich poloha je vždy vhodně nastavená podle stěn nádrčky a to tak, že zabraňují obtékání vody kolem houby (**obrázek B/4**). Filtrační materiály mohou být nahrazené jinými včetně perlonové vlny BLUEFIBRE (mechanická filtrace), aktivním uhlíkem v zrnech BLUCARBON, zeolitem BLUZEOLITE (adsorpční filtrace) anebo jinými materiály, dáváte však pozor, aby jste neucpali filtr.

Nasávací hadička

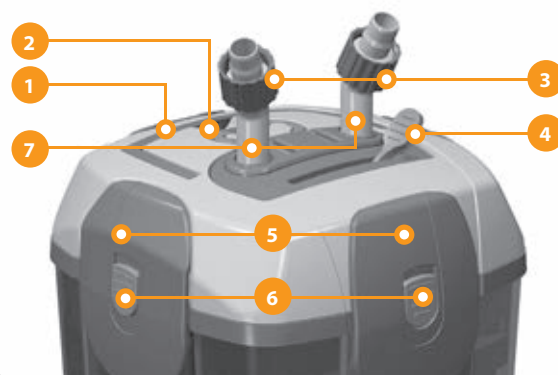
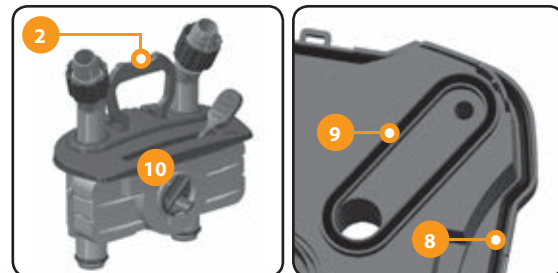
Speciální hadička určená na nasávání vody v akváriu s nastavitelnou délkou (**obrázek C/6**). Hadička obsahuje mřížku, která zabraňuje nasání listů anebo rybiček do filtru (**obrázek C/7**) a má otvor s víčkem pro připojení (**obrázek C/8**). Navíc, ochranný upevňovací kroužek zajišťuje pevné uchycení pružné hadičky.

Pružná trubice

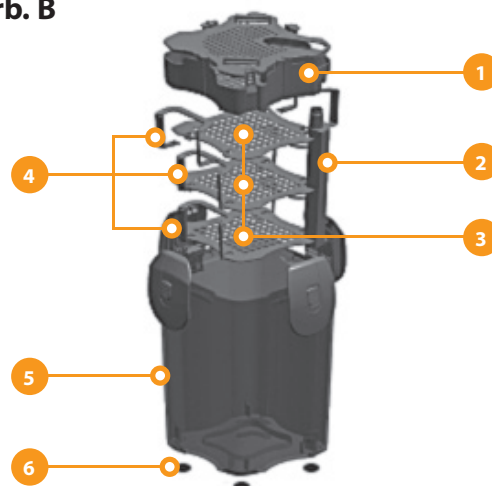
Speciální pružná hadice z PVC s průměrem 15/21mm, která se dodává už nařezaná - 2 kusy.

Orb. A

- 1 držadlo filtru
- 2 páčka na uvolnění ventilu
- 3 upevňovací ochranné kroužky
- 4 páčka na uvolnění ventilu a regulace proudění
- 5 háček
- 6 bezpečnostní tlačítko zajištění háčků
- 7 upevnění hadiček pro přívod a odvádění vody
- 8 těsnění nádrčky
- 9 předkomorové těsnění
- 10 skupina ventilů



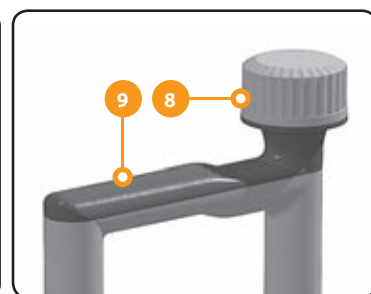
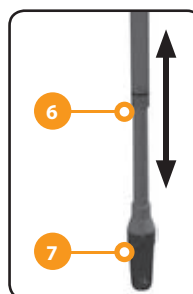
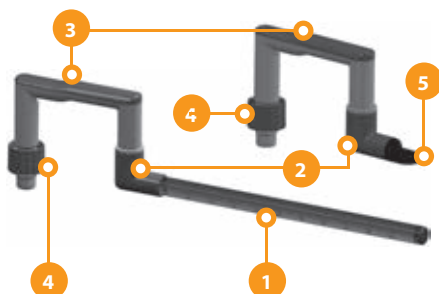
Orb. B



- 1 košík s keramickými válečky s krytem
- 2 hadice, kterou přechází voda směřující ke spodní části nádrčky
- 3 košík s filtračními materiály a houbami
- 4 nastavitelná držadla košíku
- 5 nádrčka
- 6 podporné nožičky

Orb. C

- 1 trubice rozprašovače
- 2 L - tvarovky (drobný montážní materiál)
- 3 tvarovky (drobný montážní materiál) bez uzávěrů
- 4 upevňovací ochranný kroužek pro připojení pružné hadičky
- 5 rotační tryska
- 6 nastavitelná nasávací trubice
- 7 mřížka
- 8 úchytné víčko pro připojení filtru
- 9 tvarovky (drobný montážní materiál) s uzávěry



Příprava akvária

- Založte akvárium tak, jak Vám to doporučil majitel obchodu, kterému důvěřujete anebo tak, jak je to uvedené v pokynech pro uživatele.
- V každém případě, pokud zakládáte akvárium s tropickými sladkovodními rybičkami doporučujeme, aby jste použili jednotnou plytkou vrstvu hnojiva.
- Naplňte nádrž vodou (doporučujeme použít 50% vody z vodovodu a 50% odmineralizované vody určené pro akvária, i když procentuální podíl se může měnit v závislosti od vlastností Vaší vody z vodovodu).
- Nastavte teplotu na ohřívači na základě toho, jaké druhy rybiček a rostlin jste si vybrali (například pro akvária s tropickými sladkovodními rybičkami je průměrná teplota 25-26°C).

Nainstalujte externí filtr tak, jako je to popsáno níže:

(včetně vložení tablet BLUESTART)

- Umístěte rostliny do akvária až po uplynutí 24 hodin od naplnění vody, aby jste se ubezpečili, jestli jsou teplota a chemické hodnoty vody stabilní.
- Před vložením rybiček musíte počkat 10-12 dní, než se aktivuje filtr. Doporučujeme, aby jste si ověřili parametry vody ve Vašem akváriu pomocí měřicího zařízení MULTISTICK TESTER od firmy Ferplast. Majitel obchodu, který má Vaší důvěru Vám může také doporučit ideální hodnoty teploty vody, tvrdosti a pod. podle druhu rybiček a rostlin, které jste si vybrali do svého akvária. Je velmi rozumné, aby jste tuto kontrolu opakovali častěji. Po vložení rybiček přidejte tablety BLUESTART, které jsou přiloženy k filtru (1 v 700 a 2 v 1100 a 1500) na spodek nádrčky filtru (můžete jich tam lehce vložit pomocí trubičky **Obrázek D**).
- Během času potřebného na vykonání údržby filtru přidávejte každý den malé množství suchého krmiva, pomůže to vytvářet bakteriální flóru.

Příprava a instalace filtru

Zasuňte čtyři podporné nožičky filtru do spodní části nádrčky (**obrázek B/6**). Umístěte filtr BLUEXTREME pod úroveň Vašeho akvária (pokud chcete, můžete ho umístit na bok akvária, co se může udělat hned po spuštění). Všechny stojany firmy Ferplast jsou vytvořené tak, aby se přizpůsobily filtru a ulehčili přechod hadiček.

Upozornění: Výška mezi spodní částí nožiček filtru a bodem, ve kterém se hadičky připojují do akvária, nesmí přesáhnout 160cm. Vložte skupinu ventilů na své místo, stlačte dolů uvolňovací páčku a ověřte, či je regulační páčka v poloze UVOLNI.

Odeberte kryt nádrčky filtru tak, že uvolníte háčky (pamatujte, že 4 bezpečnostní tlačítka musí být nastavené tak, aby z červené přešli na zelenou **Obrázek E**). Ověřte si, zda filtrační materiály jsou ve správné poloze. Vložte 1 (700) nebo 2 (1100 a 1500) BLUSTART kapsle na spodek nádrčky filtru (velmi lehce jich tam můžete vložit pomocí hadičky). Uzavřete filtr tak, že kryt položíte na nádrčku, zablokujete čtyři háčky a uzavřete čtyři bezpečnostní tlačítka.

Upozornění: Neuzavírejte háčky po jednom, ale vždy dva a dva háčky (umístěné naproti). Budte opatrní a dbejte na to, aby jste kryt nasadili na nádrčku správně. Umístěte ho tak, aby jste zajistili nepřetržitý přechod vody od vstupu až k výstupu. (**obrázek F**). Ujistěte se, že pod krytem se na těsněních nenachází žádná špína nebo cizí materiál.

Umístěte přítokové hadičky a nasávací hadičky dovnitř Vašeho akvária a dbejte na to, aby jste jich upevnili spolu s nasávacími víčky s úchytkami (dlouhé nebo krátké, podle toho, jaké potřebujete).

Umístěte sací trubice dle toku do akvária tak, aby správně drželi spolu s vhodným příslušenstvím. (**Orb. G**).

Upozornění: Akvária FERPLAST jsou navrhnuté tak, aby hadičky mohly přes ně přecházet bez problémů (**obrázek H**).

V modelech CAYMAN, DUBAI, CAPRI se nacházejí lehce odstranitelné bloky na zadní straně krytu. V modelech Star se zadní otvory mřížek dají lehce odstranit a těmito otvory je možné vložit hadičky. Doporučujeme Vám, aby jste umístili přítokovou a nasávací jednotku v opačných polohách a zadním úhlu, aby jste zabránili vytvoření přímého přechodu mezi nimi. Takovýto přímý přechod může bránit účinnému fungování filtru.

Upozornění: V akváriu Cayman 60 není možné použít spojovací materiál „C“ v levém rohu akvária kvůli tomu, že místo v tomto akváriu je limitované. Proto doporučujeme umístit nasávací hadičku na pravou stranu a přítokovou trubici na levou tak, aby se dostala přímo do kontaktu s pružnou hadičkou.

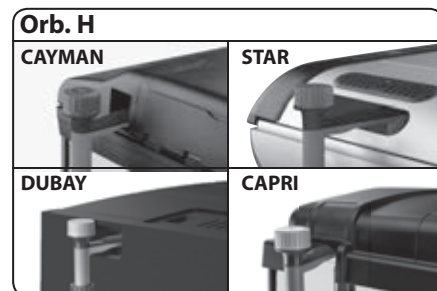
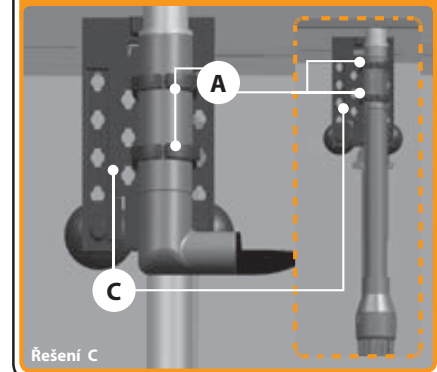
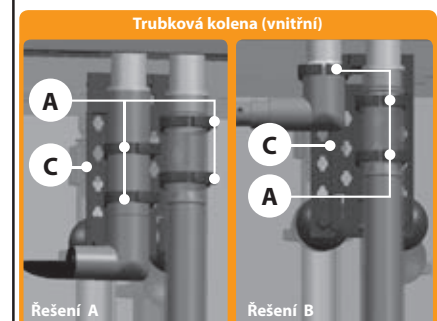
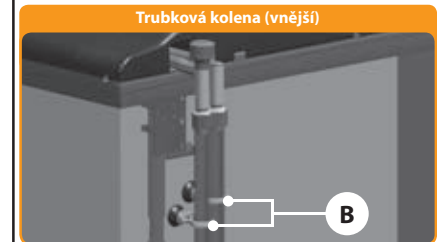
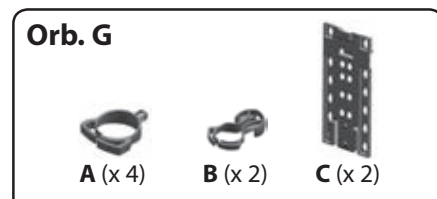
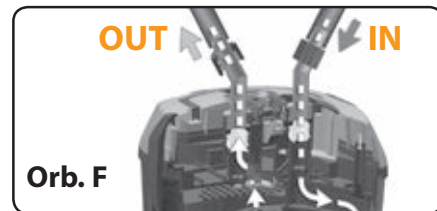
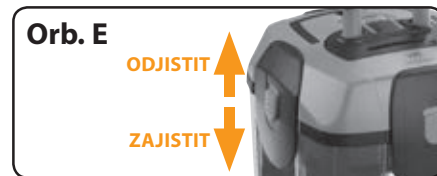
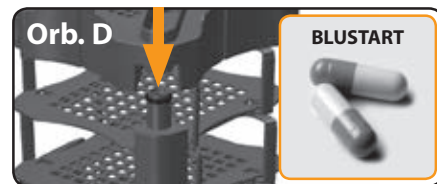
Nasávací hadička

Umístěte spojovací materiál „C“ s víčkem (**obrázek C/9**) na akvárium a zapojte poloprůhlednou hadičku na vnitřní stranu akvária, vložte hadičku, která reguluje výšku (**obrázek C/6**) po instalaci mřížky na spodní část. Potom nastavte polohu mřížky akvária tak, aby byla přibližně 4-5 cm vzdálená od spodní části nádrčky.

Přítokové hadičky

Umístěte spojovací materiál „C“ bez víčka (**obrázek C/3**) na akvárium a připojte „L“ tvarovku s nebo bez prodlužovací částí (**obrázek C/2**) podle toho, jak Vám to vyhovuje. Potom připojte rozprašovací hadičku (**obrázek C/1**) anebo 360° rotační trysku (**obrázek C/5**). Připojte pružné hadice k upevnění hadičky filtru a přítokové a nasávací jednotky (**obrázek F**). Dbejte na to, aby jste nezaměnili směr (IN směrem od filtru k nasávací jednotce, OUT od externího filtru směrem k přítokové hadičce. Po jejich vložení na správné místo použijte ochranné kroužky na uchycování pro jejich důkladné upevnění.

Upozornění: Pružné hadičky musí být odřezané čistým řezem a na správnou délku. Potom musí být připojené tak, aby se na nich nevytvářeli rohy (což je také potřebné pro připojení filtru) anebo ohyby (což by mohlo snížit kvalitu vody).





EN

IT

FR

D

NL

ES

PT

SK

CS

HU

SV

DA

RU

PL

Začátek fungování filtrů (samospouštěcí systém)

- 1 Ubezpečte se, že páčka ventilu je v poloze Uzavřené.
- 2 Otevřete víčko umístěné nad nasávací jednotkou a nalijte pohár vody (přibližně 150 cm³).
- 3 Opatrně uzavřete víčko.
- 4 Otevřete ventil filtru použitím příslušné páčky. Takovým způsobem se systém nastartuje sám.
- 5 Zapněte filtr tím, že ho připojíte do elektrické zásuvky. Páčkou je možné regulovat proudění a vypouštění vody.

Upozornění: Po zapnutí filtru se ubezpečte, jestli na něm nejsou žádné průsaky vody. Po několika hodinách provozu ověřte, zda filtr funguje správně a znovu zkontrolujte, zda se nevyskytnuli nějaké průsaky. Pokud voda nepřetéká vypouštěcí hadičkou uspokojivým způsobem, zkontrolujte připojení hadičky a ujistěte se, zda nejsou poškozené nebo ohnuté. Když filtrem zlehka potřesete, zbavíte ho jakéhokoliv vzduchu, který ještě mohl zůstat uvnitř.

Údržba

Důležité: před vykonáním jakékoliv údržby vždy odpojte filtr od přívodu elektriny. Údržba filtru se musí dělat pravidelně aspoň každé 3-4 týdny a to vždy, když nastane zjevné snížení hladiny průtoku.

Aby jste mohli vykonat údržbu:

- Uzavřete ventily pomocí páčky (obrázek I/5a).
- Odpojte filtr od elektrického proudu.
- Po několika sekundách vytáhněte skupinu ventilů pomocí páčky k tomu určené (obrázek I/5b).
- Přeneste filtr na místo, na kterém ho budete čistit tak, že použijete pevné drždalo (obrázek I/5c).
- Otevřete filtr odjistěním háčků (pamatujte, že musíte zvednout bezpečnostní tlačítka).
- Odstraňte košik s keramickými válečky (Upozornění: není nutné umývat biologický filtrační materiál. Je potřeba, aby si tento materiál uchoval své bakteriální shluky, které ho dělají aktivním).
- Vytáhněte mechanické a absorpční filtrační houby přes protilehlé drždala košíku a opláchněte je.
- Mechanické filtrační houby se musí vyměňovat nejméně jednou za 6 měsíců, použijte originální náhradní houby BLUMEC od firmy Ferplast.
- Účinky absorpční houby končí v průběhu 2-3 týdnů, proto je doporučujeme nahradit originálními BLUCLEAR náhradami nebo ponechat je ve filtru, který bude fungovat na mechanické bázi, avšak tyto musí být vyměňované každých 6 měsíců.
- Absorpční houba může být také nahrazena jinými materiály včetně aktivního uhlíku v zrnech BLUCARBON anebo zeolitem BLUZEOLITE od firmy Ferplast (doporučuje se umístit je spolu s poskytnutým pytlíkem).
- Během období speciálního terapeutického léčení musí být absorpční houby odstraněné z filtru (aby jsme se vyhnuli snížení jejich pozitivních účinků). Po skončení takového období doporučujeme, aby jste vložili novou houbu.
- Vyčistěte rotor a hřídel pumpy nejméně každé 3-4 měsíce.
- Odeberte kryt pumpy, zatlačte příchytiku směrem k ventilátoru a úplně ho vytáhněte (obrázek I/6 a-b).
- Vytáhněte rotor a hřídel a vyčistěte je měkkým kartáčkem a vlažnou vodou (nepoužívejte čisticí prostředky nebo abraze).
- Poskládejte pumpu tak, že zopakujete tyto kroky v opačném pořadí a přesvědčte se, jestli je keramický hřídel důkladně upevněný na svém místě (při manipulaci s ním buďte velmi opatrní, je velmi křehký).
- Znovu poskládejte filtr, dbejte na to, aby jste filtrační materiál vkládali ve správném pořadí: modrá houba s velkými póry na spodek, modrá houba s malými póry do středu (jenom u 1100 a 1500), následuje houba s aktivním uhlíkem, a navrch uložíme košik s keramickými válečky.
- Umístěte filtr do blízkosti nádržky a vložte skupinu s ventily na své místo. Upozornění: Pokud je ve vnitřním krytě nějaká voda, ještě před jeho uložení na filtr ho jednoduše zbavte této vody tak, že ho nakloníte.
- Jestliže jste postupovali správně, jednoduché otevření ventilů a zapojení přístroje do elektrické sítě spustí filtr. V případě, že filtr z jakéhokoliv důvodu nezačne fungovat, realizujte postup popsany částí s názvem „Spuštění filtru“.

Jiné údržbové činnosti:

- Těsnění: zaručuje vždy dokonalé uchycení filtru, těsnění doporučujeme vyměňovat aspoň jednou ročně pomocí sady od firmy Ferplast.
- Pravidelně čistěte nasávací mřížku a kontrolujte, zda není zablokována.
- Pravidelně přechistujte pružné hadičky tak, aby jakéhokoliv řasy nebo špína nesnížovali nebo nebránili přítoku vody.

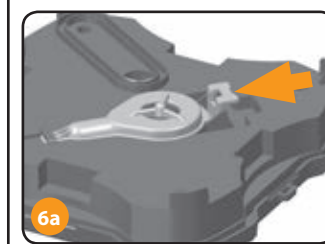
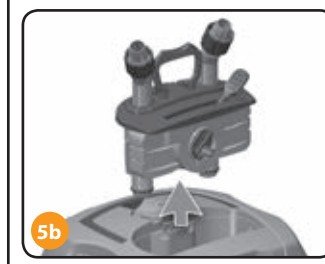
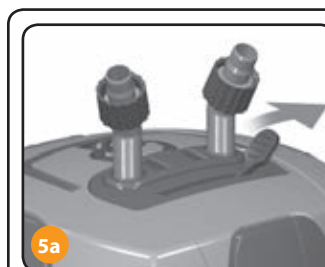
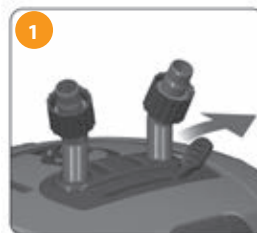
Náhradní náplně a příslušenství

Každá část filtru BLUEXTREME se dá lehce vyměnit. Náhradní díly jsou k dispozici v obchodě, kde jste zakoupili filtr. K dispozici je také množství příslušenství od firmy Ferplast, které neustále inovujeme a které slouží k přizpůsobení filtru tak, aby vyhovoval různým potřebám. Aby jste zajistili kompletní funkčnost výrobku a jeho bezpečnost, používejte pouze originální náhradní díly od firmy Ferplast. Nainstalování neznackových náhradních dílu má za následek neplatnost záruky.

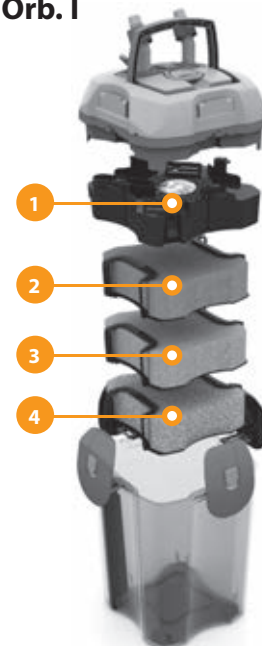
Záruka:

Ferplast poskytuje záruku na BLUEXTREME filtr a všechny jeho komponenty a příslušenství s omezením uvedeným v předcházejícím oddílu a ve smyslu ustanovení příslušného zákona. Záruka se vztahuje jen na výrobní vady a zahrnuje opravy nebo výměnu bez nákladů. Záruka se nevztahuje na škody a poruchy zapříčiněné zanedbáním, opotřebením, používáním v rozporu s návodem a upozorněními uvedenými v tomto návodu, nehodami, nesprávnou manipulací, zneužitím, nenáležitými opravami a ani na prodej, při kterém nedošlo k vydání příjmového dokladu. Záruka se nevztahuje na houby, těsnění a filtrační materiál.

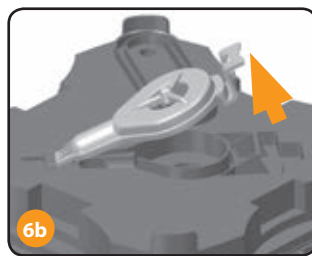
SAMOSPOUŠTĚCÍ SYSTÉM



Orb. I



- 1 keramickéj hranolovej koš
- 2 savá houba
- 3 houba s veľkými póry
- 4 houba s malými póry



Használati utasítás

Bevezetés

Gratulálunk Önnek, hogy a Freplast cég BLUEXTREME külső filterét választotta, amit úgy alakítottunk ki, hogy teljes mértékben megfeleljen az Ön szükségleteinek, és biztosítsa halai és növényei egészségét anélkül, hogy elhanyagolnánk az Ön biztonságát. A filterbe beépített nagy teljesítményű pumpa elmerül, és valamennyi összetevője összhangban van az ide vonatkozó ICEI EN 60335-2-412 nemzetközi biztonsági előírásokkal.

A filter üzembe helyezése és használata rendkívül egyszerű, és szórakozás lesz az Ön számára. És a BLUEXTREME-nek köszönhetően elegendő havonta egyszer pár perces karbantartás ahhoz, hogy akváriuma mindig kifogástalan állapotban legyen.

Figyelmeztetés:

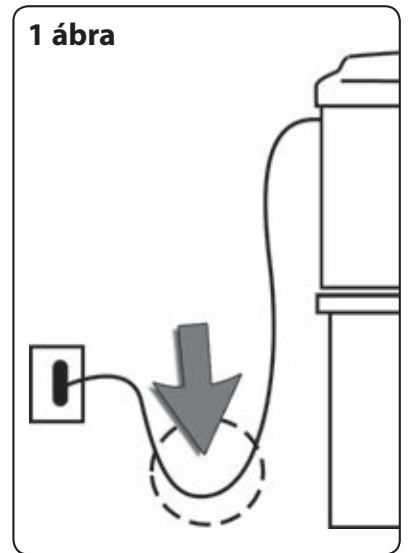
- Győződjön meg róla, hogy a terméken elhelyezett címkén található feszültség megegyezik a villamos hálózatban találhatóval.
- A filter enteriőrben való használatra szolgál.
- Győződjön meg róla, hogy háztartása védve van a biztosíték túlfeszültsége ellen, amely nem haladja meg a 30mA-t.
- Bármiféle karbantartás előtt kösse le a berendezést az áram csatlakozójáról.
- Az áramot szolgáltató zsinórt nem lehet javítani vagy mással helyettesíteni. Meghibásodás esetén cserélje ki az egész berendezést.
- A folyadék hőmérséklete nem haladhatja meg a 35°C-t.
- Ha a filter áram alatt van, győződjön meg róla, hogy az áramot szolgáltató zsinór legalacsonyabb pontja magasabban van, mint a konnektor, hogy elkerülje, hogy a zsinóron esetlegesen megjelenő vízsepek érintkezésbe kerüljenek a konnektorral (**1. ábra**).
- Ez a termék nem alkalmas arra, hogy gyerekek vagy fogyatékos emberek felügyelet nélkül használják.
- Győződjön meg róla, hogy a szívócső mindig oly módon merüljön alá, hogy a filter védve legyen a kiszáradástól.



A csomag kibontása

A BLUEXTREME csomag belsejében a következőket találja:

- 1 BLUEXTREME külső filtert pumpával és filtrációs anyaggal együtt (szivacsok és kerámia hengerek)
 - 2 1,5-2 m hosszú nem toxikus PVC-ből készült rugalmas csövet (Ø 15/21mm)
- 2 BLUESTART (BLUEXTREME 700) vagy (BLUEXTREME 1100-1500) kapszulát (speciális kapszulák, amelyek meggyorsítják a filter érési folyamatát)**
- 1 kiegészítő készletet, beleértve:**
- 1 rosttal, a filter csatlakoztatására szolgáló lezárással és a rugalmas csőhöz tartozó rögzítő védőgyűrűvel ellátott meghosszabbított szívócsövet
 - 1 meghosszabbított elvezető csövet, fogórészsel a porlasztóhoz vagy fúvókához és a rugalmas csőhöz tartozó rögzítő gyűrűt
 - 1 porlasztót
 - 1 rotációs fúvókát
 - 4 hosszú fogórészt
 - 4 rövid fogórészt
 - 8 szívó fedelet
 - tartóoszlopokat, amelyeket a filter alsó részére kell szerelni.



A BLUEXTREME technikai adatai

A filter modellje	Kapacitás	Szállítási magasság	A belső tartály térfogata	A biológiai filtráció térfogata	Teljesítmény	Az akvárium térfogata	Méretek	Filtrációs kosarak száma
	l/h	m	l	l	W	l	cm	
BluExtreme 700	700	1,3	4	1	12	< 150	22 x 22 - h 34	3
BluExtreme 1100	1100	1,5	5,5	1	16	150 < l < 300	22 x 22 - h 40	4
BluExtreme 1500	1500	2,2	11	2,5	32	< 500	26 x 26 - h 46	4



BLUEXTREME

Fedezze fel a hihetetlen lehetőségeit!

Filtertartó

A filter szállítására szolgáló kényelmes karocska, amelyet úgy alakítottunk ki, hogy stabilitást biztosítson a filternek akkor is, mikor tele van vízzel (A/1 ábra)

Emelőkar a szelepek szabaddá tételére

Emelőkar a szelepek szabaddá tételére, amellyel könnyű manipulálni, és amely megkönnyíti a szelepek kiemelését a filter borításából a karbantartás idején (A/2 ábra)

Figyelmeztetés: A szelepeket csak akkor lehet kiemelni a burkolatból, mikor az emelőkar függőleges helyzetben van.

A szelepek kinyitására szolgáló emelőkar (biztonsági rendszer)

Emelőkar, amely a szelepek bezárására/kinyitására és az áramlás szabályozására szolgál. (A/4 ábra)

Rögzítő védőgyűrűkkel ellátott idomcsövek

Egyszerű idomcsövek, amelyek 360°-kal elfordíthatók (A/7 ábra) és amelyek védő rögzítőgyűrűvel rendelkeznek, amelyek biztosítják az idomcső és a rugalmas cső összeköttetését (A/3 ábra).

Szelepek

Ez a rész az emelőkarnak köszönhetően könnyen kiemelhető a borításból, és amely a víz áramlását felfogó szelepeket tartalmaz (A/10 ábra).

Figyelmeztetés: A burkolatból való kivétel során a speciális rendszer leblokkolja a szelepek kinyitására szolgáló emelőkart, vagyis nem mozdulhat el véletlenül, és nem idézheti elő a víz átfolyását.

Kampók

4 erős kampó, amely a borítás és a filtrációs tartály stabil összeköttetésére szolgál (A/5 ábra).

A különleges nyomógomb lehetővé teszi a kampó leblokkolását a zárásnál, ezáltal megelőzve az esetleges kinyílást (A/6 ábra).

Figyelmeztetés: piros - a kampók le vannak blokkolva, zöld - a kampók ki vannak biztosítva.

A tartály tömítése

EPDM gumból készült speciális tömítés, amely a tartály és a borítás maximálisan erős összeköttetését biztosítja (A/8 ábra).

Kamra előtti tömítés

Expanzív EPDM-ből készült speciális tömítés zárt sejtekkel, amelyek biztosítják a víz átfolyását a filterből a tartályba mindenféle szivárgás nélkül (A/9 ábra).

Kerámia hengereket tartalmazó kosár

Könnyen használható kosár, amely a biológiai filtrációhoz szükséges hengereket tartalmaz. Optimalizálja a filtráció hatékonyságát (B/1 ábra).

Vízáteresztő cső

Integrált cső, amely biztosítja a víz közvetlen átfolyását az akváriumból a tartály alsó részébe (B/2 ábra).

Filtrációs anyagot tartalmazó kosár

Könnyen használható kosár, különböző porúsú szivacsokat tartalmaz, amelyek könnyen alkalmazkodnak a különböző típusú anyagokhoz (B/3 ábra). A speciálisan állítható tartók biztosítják, hogy fekvésük mindig a tartály falának megfelelően van beállítva, mégpedig úgy, hogy megakadályozzák a víz elszívását a szivacsok körül (B/4 ábra). A filtrációs anyagok mással is helyettesíthetők, beleértve a BLUEFIBRE gyapjút (mechanikus filtráció), a BLUCARBON magokban található aktív szenet, a BLUZEOLITE zeolitot (abszorpciós filtráció) vagy egyéb anyagokat, de figyeljen oda, hogy ne tömítse el a filtert.

Szívócső

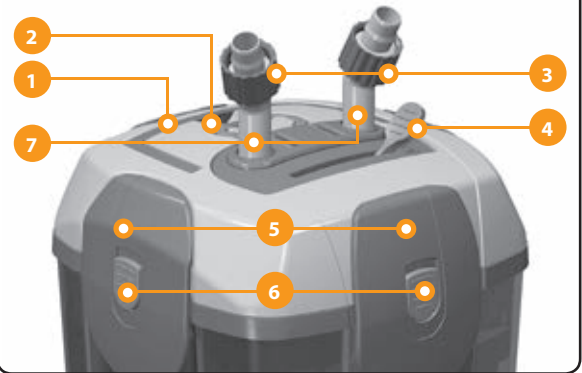
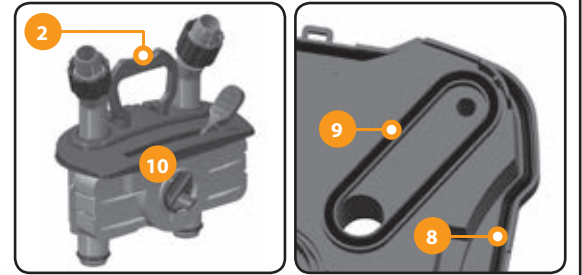
Állítható hosszúságú speciális cső, amely a víz kiszívására szolgál az akváriumból (C/6 ábra). A cső rácsot tartalmaz, amely megakadályozza a levelek vagy halak beszívódását a filterbe (C/7 ábra), és hozzákapcsolódásra szolgáló, fedéllel ellátott nyílás található rajta (C/8 ábra). Ezen felül a védő rögzítőgyűrű biztosítja a rugalmas cső stabilitását.

Rugalmas cső

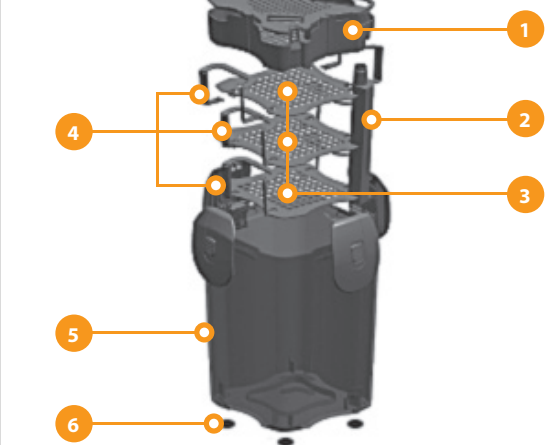
15/21mm-es átmérőjű PVC-ből készült speciális rugalmas cső, amely már elvágott formában van - 2 darab.

A ábra

- 1 filtertartó
- 2 emelőkar a szelepek szabaddá tételére
- 3 rögzítő védőgyűrűk
- 4 emelőkar a szelepek szabaddá tételére és az áramlás szabályozására
- 5 cső
- 6 a csövek biztosítására szolgáló biztonsági gomb
- 7 a csövek megerősítése a víz be- és elvezetésére
- 8 a tartály tömítése
- 9 kamra előtti tömítés
- 10 szelepek



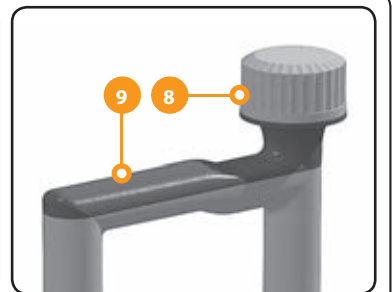
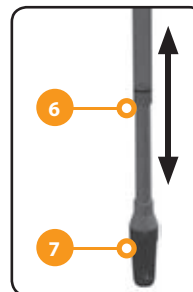
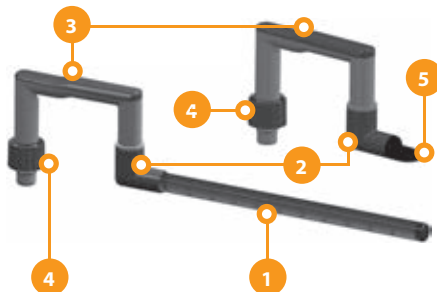
B ábra



- 1 borítással ellátott kerámia hengereket tartalmazó kosár
- 2 cső, amelyen áthalad a tartály alsó részébe irányuló víz
- 3 filtrációs anyagokat és szivacsokat tartalmazó kosár
- 4 a kosár állítható tartói
- 5 tartály
- 6 tartóoszlopok

C ábra

- 1 porlasztócső
- 2 alakú idomcsövek (apró szerkezeti elemek)
- 3 lezárások nélküli idomcsövek (apró szerkezeti elemek)
- 4 rögzítő védőgyűrű a rugalmas cső csatlakoztatására
- 5 rotációs fűvóka
- 6 állítható szívócső
- 7 rács
- 8 a filter csatlakozásához szükséges rögzítő fedő
- 9 lezárókkal ellátott idomcsövek (apró szerkezeti elemek)



Az akvárium elkészítése

- Úgy alakítsa ki az akváriumot, ahogy azt az üzlet tulajdonosa javasolta Önnek, akiben megbízik, vagy úgy, ahogy az a használati utasításban fel van tüntetve.
- Minden esetben, ha trópusi édesvízi halak számára alakít ki akváriumot, javasoljuk, hogy a trágyájából egységes, sekély réteget alakítson ki, amelynek vastagsága nem lesz több mint 5 mm.
- Töltse meg az edényt vízzel (javasoljuk, hogy 50%-ban a vízvezeték vizét, 50%-ban pedig az akváriumok számára megfelelő ásványmentesített vizet használjon, még ha a százalékos összetétel az Ön vezetékes vízének tulajdonságaitól függően változhat is).
- A melegítő hőmérsékletét attól függően állítsa be, hogy milyen típusú halakat és növényeket választott (például a trópusi édesvízi halak számára a 25-26°C-os átlaghőmérsékelt felel meg).

A külső filtert az alább feltüntetettek alapján szerelje fel:

(beleértve a BLUESTART tabletták belerakását is)

- A növényeket csak az akvárium vízzel való feltöltése után 24 órával helyezze el a tartályban, hogy biztosítsa, hogy a víz hőmérséklete és kémiai értékei stabilak legyenek.
- A halak behelyezése után 10-12 napot várjon, míg a filter aktiválódik. Javasoljuk, hogy a Ferplast cég MULTISTICK TESTER mérőberendezésével győződjön meg az akvárium vízének paramétereiről. Az üzlet tulajdonosa, amely bírja az Ön bizalmát, szintén tanácsot adhat Önnek a víz ideális hőmérsékletét, keménységét stb. illetően, az akváriumba kiválasztott halaknak és növényeknek megfelelően. Célszerű, ha ezt az ellenőrzést gyakrabban végezi el. A halak behelyezését követően tegye a filter tartályának aljára a BLUESTART tablettát, amely a filterhez tartozik (1 a 700-hoz és 2 az 1100-hoz és 1500-hoz) (könnyen oda helyezheti a D ábrán található cső segítségével).
- A filter karbantartásához szükséges idő alatt minden nap adagoljon kis mennyiségű száraz eledelt, ez elősegíti a baktériumos flóra kialakulását.

A filter előkészítése és üzembe helyezése.

Szúrja be a filter négy tartóoszlopcskáját a tartály alsó részébe (**B/6 ábra**). Helyezze el a BLUEXTREME filtert az akvárium szintje alá (ha akarja, az akvárium oldalára is elhelyezheti, amit rögtön a beindítást követően megtehet). A Ferplast cég valamennyi állványa úgy van kialakítva, hogy alkalmazkodjanak a filterhez, és megkönnyítik a csövek átjárhatóságát.

Figyelmeztetés: A filter oszlopcskáinak alsó része és a csövek akváriumhoz való kapcsolódási pontja közötti távolság nem haladhatja meg a 160 cm-t. Helyezze a szelepeket a helyükre, nyomja lefelé az emelőkart, és győződjön meg róla, hogy a szabályozó kar SZABAD helyzetben van-e. A filter tartályának borítását úgy vegye le, hogy közben a kampót tegye szabaddá (ne fejtse el, hogy a négy biztonsági gombot úgy kell beállítani, hogy a pirosról zöldre váltsanak **E ábra**.) Győződjön meg róla, hogy a filtrációs anyagok a megfelelő helyzetben vannak-e. Helyezzen 1 (700) vagy 2 (1100 a 1500) BLUESTART kapszulát a filter tartályának aljára (nagyon könnyen elhelyezheti ott a cső segítségével). Zárja be a filtert úgy, hogy a burkolatot a tartályra helyezi, leblokkolja a négy kampót és bezárja a négy biztonsági gombot.

Figyelmeztetés: Ne egyesével zárja be a kampókat, hanem mindig két-két kampót (egymással szemben lévőket). Legyen elővigyázatos, és ügyeljen arra, hogy a borítást megfelelően helyezze el a tartályon. Úgy helyezze el, hogy biztosítsa a víz folyamatos áramlását a bemenettől a kimenetig (**F ábra**). Győződjön meg róla, hogy a burkolat alatt a tömítések nincsenek semmilyen piszok vagy idegen anyag.

Az áteresztő és szívócsöveket helyezze el az akvárium belsejében, és ügyeljen arra, hogy a szívó fedelelkel és fogórészekkel együtt erősítse meg (rövid vagy hosszú, attól függően, milyenre van szüksége).

Helyezze el a szívócsöveket a folyásirány szerint az akváriumban, úgy hogy jól illeszkedjen a megfelelő tartozékokhoz. (**G ábra**).

Figyelmeztetés: A FERPLAST típusú akváriumokat úgy tervezték, hogy a csövek probléma nélkül keresztülmehessenek rajta (**H ábra**). A CAYMAN, DUBAI, CAPRI modellekben a borítás hátsó részén könnyen eltávolítható blokkok találhatók. A STAR modellekben a rácsok hátsó nyílásai könnyen eltávolíthatók, és ezeken a nyílásokon be lehet szűrni a csöveket. Javasoljuk, hogy az áteresztő és szívó egységeket ellenkező helyzetben és hátsó szögben helyezze el, hogy megakadályozza a közvetlen átjárását köztük. Az ilyen közvetlen átjárás akadályozhatja a filter hatékony működését.

Figyelmeztetés: A Cayman 60 akváriumban nem használható a „C” összekötő anyag az akvárium bal oldalán, mivel ebben az akváriumban a hely limitált. Ezért azt javasoljuk, hogy a szívócsövet a jobb oldalán, az áteresztő csövet pedig a bal oldalán helyezze el, úgy, hogy közvetlen érintkezésbe kerüljön az áteresztő csővel.

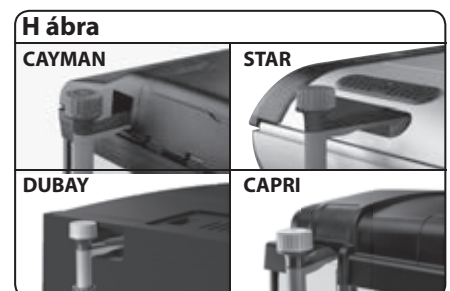
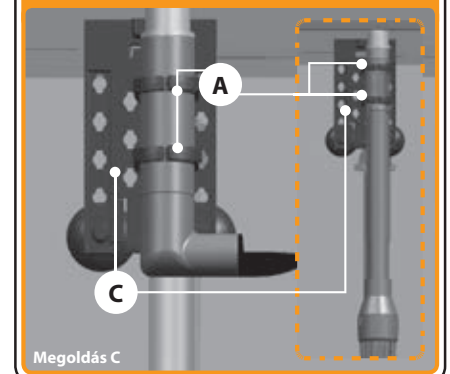
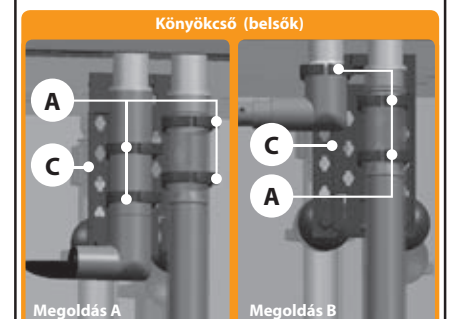
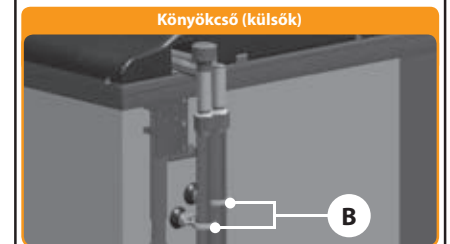
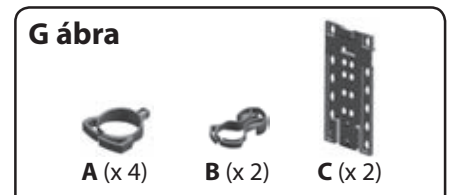
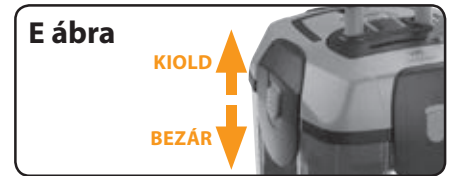
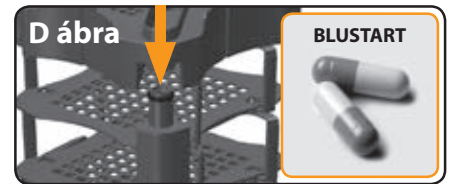
Szívócső

Helyezze a fedéllel ellátott „C” összekötő elemet (**C/9 ábra**) az akváriumra és kösse a félig átlátszó csövet az akvárium belső felére, helyezze be az alsó részre a csövet, amely szabályozza a magasságot (**C/6 ábra**) a rács felszerelése után. Ezután állítsa be az akvárium rácsának helyzetét úgy, hogy kb. 4-5 cm-es távolságban legyen a tartály alsó részétől.

Áteresztő csövek

Helyezze a fedél nélküli „C” összekötő elemet (**C/3 ábra**) az akváriumra és csatlakoztassa az „L” idomcsövet a meghosszabbító csővel (**C/2 ábra**) vagy anélkül, attól függően, hogy Önnek hogy felel meg. Ezután csatlakoztassa a porlasztó csövet (**C/1 ábra**) vagy a 360°-os rotációs fúvókát (**C/5 ábra**). Csatlakoztassa a rugalmas csöveket a filter csövének rögzítéséhez és az áteresztő és szívó egységhez (**F ábra**). Ügyeljen arra, hogy ne változtassa meg az irányt (IN a filtertől a szívó egység felé, OUT a külső filtertől az áteresztő cső felé). A megfelelő helyre történő elhelyezésüket követően az alapos rögzítéshez használja a védő fogógyűrűket.

Figyelmeztetés: A rugalmas csöveket tiszta szeletelőlével és megfelelő hosszúságúra kell elvágni. Ezután úgy kell csatlakoztatni őket, hogy ne alakuljanak ki rajtuk türedések (ami szintén szükséges a filter csatlakoztatásához) vagy hajlatok (ami csökkentheti a víz minőségét).





A filter működésének kezdete (önindító rendszer):

- 1 Győződjön meg róla, hogy a szelep emelőkarja Zárva helyzetre van állítva.
- 2 Nyissa ki a szívó egység fölött elhelyezett fedőt és öntsön bele egy pohár vizet (kb. 150 cm³).
- 3 Óvatosan zárja le a fedőt.
- 4 A hozzávaló emelőkar segítségével nyissa ki a filter szelepét. Ezáltal a rendszer magától működésbe lép.
- 5 Kapcsolja be a filtert azzal, hogy csatlakoztatja a konnektorhoz. Az emelőkarral szabályozható az áramlás és a víz kiengedése.

Figyelmeztetés: A filter bekapcsolása után győződjön meg róla, hogy nincsenek rajta semmiféle vízfelszivódások. Néhány óras működés után győződjön meg róla, hogy a filter megfelelően működik-e, és ismét ellenőrizze, hogy nem történt-e felszivódás. Ha a víz nem megfelelően folyik ki a kivezető csövön keresztül, ellenőrizze a cső csatlakoztatását, és győződjön meg róla, hogy nem rongálódott-e meg vagy nem hajlott-e meg. Ha a filtert könnyedén megrázza, eltávolítja a belsejében maradt levegőt.

Karbantartás

Fontos: bármiféle karbantartás elvégzése előtt mindig kapcsolja le a filtert az áramról. A filter karbantartását rendszeresen, legalább 3-4 hetente kell végezni, mindig akkor, mikor a vízszint láthatóan csökken.

Hogy elvégezhesse a karbantartást:

- Az emelőkar segítségével zárja el a szelepeket (l/5a ábra).
 - Kapcsolja le a filtert az elektromos áramról.
 - Néhány másodperc múlva húzza ki a szelepeket az erre szolgáló emelőkar segítségével (l/5b ábra).
 - Helyezze a filtert arra a helyre, ahol tisztítani fogja, úgy, hogy közben szilárd fogót használ (l/5c ábra).
 - A kampók kibiztosításával nyissa ki a filtert (emlékezzen rá, hogy fel kell emelnie a biztonsági gombot).
 - Távolítsa el a kerámia hengereket tartalmazó kosarat (Figyelmeztetés: A biológiai filtrációs anyagot nem kell elmosni. Szükséges, hogy ez az anyag megőrizze saját baktericidális összetételét, amely aktívá teszi).
 - Húzza ki a mechanikus és abszorpciós szivacsokat a kosár átellenes tartóin keresztül és öblítse le.
 - A mechanikus filtrációs szivacsokat legalább 6 havonta egyszer ki kell cserélni, használja a Ferplast cég eredeti BLUMEC pótszivacsait.
 - Az abszorpciós szivacsok hatása 2-3 hét alatt véget ér, ezért az eredeti BLUCLEAR pótszivacsokkal való helyettesítésüket javasoljuk, vagy hogy hagyja őket a filterben, amely mechanikus alapon fog működni, de azokat 6 havonta cserélni kell.
 - Az abszorpciós szivacs szintén helyettesíthető egyéb anyagokkal, beleértve a BLUCARBON magokban található aktív szenet vagy a BLUZEOLITE zeolitot a Ferplast cégtől (elhelyezésük a hozzá tartozó zacskóval együtt javasolt).
 - A speciális terápiás kezelés alatt az abszorpciós szivacsokat el kell távolítani a filterből (hogy elkerüljük pozitív hatásuk csökkenését). Ilyen időszak végeztével javasoljuk, hogy új szivacsot helyezzen el.
 - Legalább 3-4 havonta tisztítsa ki a rotort és a pumpa tengelyét.
 - Vegye le a pumpa borítását, nyomja meg a kapcsolót a ventilátor felé, és teljesen húzza ki (l/6 a-b ábra).
 - Vegye ki a rotort és a tengelyt, és puha kefével és langyos vízzel tisztítsa meg (ne használjon tisztítóeszközöket és dörzsölő anyagokat).
 - A pumpát úgy rakja össze, hogy ugyanezeket a lépéseket fordított sorrendben végezze el, és győződjön meg róla, hogy a kerámia henger alaposan rögzítve van a helyére (tisztítása során legyen rendkívül óvatos, mert nagyon törékeny).
 - Újra rakja össze a filtert, ügyeljen arra, hogy a filtrációs anyagot a megfelelő sorrendben helyezze el: a nagy pórusú kék szivacsot alúlrá, középre a kis pórusú kék szivacsot (csak 1100 és 1500-nál), ezt az aktív szénrel ellátott szivacs követi, és legfölülre tesszük a kerámia hengereket tartalmazó kosarat.
 - Helyezze a filtert a tartály közelébe és tegye a szelepeket a helyükre.
- Figyelmeztetés:** Amennyiben a belső borításban víz található, még a filterre helyezése előtt távolítsa el róla úgy, hogy egyszerűen meghajlítja.
- Ha helyesen járt el, a szelepek egyszerű megnyitása és a készülék elektromos hálózathoz csatlakoztatása beindítja a filtert. Abban az esetben, ha a filter bármilyen okból nem kezd el működni, végezze el az ún. „Filter elindítása” részben leírt folyamatot.

Egyéb karbantartási feladatok:

- Tömítés: biztosítja a filter alapos rákapcsolódását, a tömítéseket évente legalább egyszer ajánlatos kicserélni a Ferplast cég készlete segítségével.
- Rendszeresen tisztítsa a szívó rácsot, és ellenőrizze, hogy nincs-e leblokkolva.
- Rendszeresen tisztítsa át az áteresztő csöveket úgy, hogy semmiféle alga, moszat vagy egyéb piszok ne akadályozza a víz áramlását.

Cserélhető elemek és tartozékok:

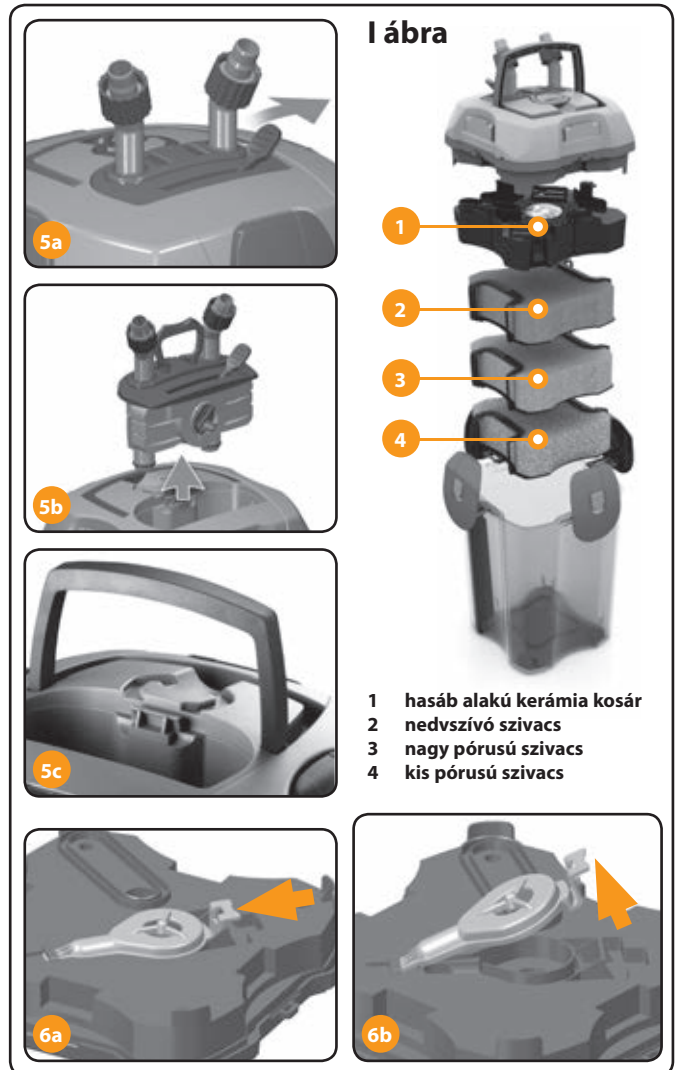
A BLUEXTREME szűrő minden része könnyen cserélhető. Pótalkatrészek a vásárlás helyén elérhetőek. A Ferplast cég kínálatában egyéb kiegészítők is rendelkezésre állnak, melyeket a különféle igények kielégítése érdekében folyamatosan fejleszt. A megbízható, biztonságos működés biztosításához használjon eredeti alkatrészeket a Ferplast kínálatából. Nem eredeti pótalkatrészek alkalmazása esetén garanciát nem vállalunk.

Garancia:

A Ferplast garanciát vállal a BLUEXTREME filterért, valamennyi összetevőjéért és tartozékáért, az előző bekezdésben feltüntetett megszorításokkal és az ide vonatkozó törvény rendelkezései értelmében. A garancia csak a gyártási hibákra vonatkozik, és a javítást vagy a szállítás nélküli cserét foglalja magába. A garancia nem vonatkozik az elhanyagolásból, elhasználódásból, az utasítással vagy az utasításban található figyelmeztetésekkel ellentétes használatból, balesetekből, helytelen használatból, a nem megfelelő javításokból adódó hibákra, ill. az olyan vásárlásokra, amiről nincs számla. A garancia nem vonatkozik a szivacsokra, a tömítésekre és a filtrációs anyagokra.



ÖNINDÍTÓ RENDSZER



BLUEXTREME 700/1100/1500

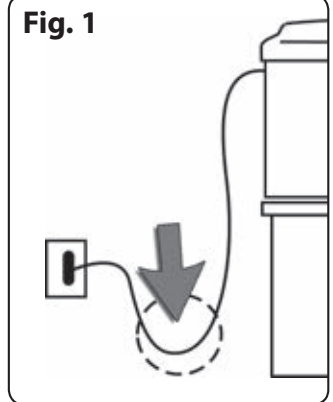
FÖRORD

Grattis för att du har valt ett externt BLUEXTREME-filter från Ferplast, som har utformats för att du ska bli helt nöjd och försäkra dina fiskars och växters perfekta hälsa, utan att försumma din säkerhet, då den kraftfulla pumpen integrerad i filtret är helt nersänkbar och varje komponent överensstämmer med relevanta internationella säkerhetsföreskrifter (CEI EN 60335-2-41).

Installation och drift av filtret kommer att vara enkel och rolig. Och tack vare BLUEXTREME räcker det med några få minuters underhåll per månad för att ha ett akvarium som alltid fungerar perfekt och är i perfekt skick.

PRELIMINÄRA VARNINGAR

- Se till att den angivna spänningen på utrustningens etikett motsvarar elnätet.
- Filtret är avsett för inomhusbruk.
- Se till att ditt hem är skyddat av en differentiell jordfelsbrytare vars gränsvärde inte överstiger 30mA.
- Koppla ur utrustningen från elnätet innan några underhållsåtgärder görs.
- Nätkabeln får inte repareras eller bytas ut: vid skada ska hela utrustningen bytas ut.
- Vätskans temperatur får inte överstiga 35° C.
- När filtret är anslutet till elnätet, se till att den elektriska sladdens lägsta punkt är lägre än eluttaget för att förhindra att eventuella vattendroppar som finns på sladden oavsiktligt kan komma i kontakt med uttaget. (**bild.1**).
- Denna produkt är inte lämplig att användas av barn eller funktionshindrade personer utan övervakning.
- Se till att sugröret alltid är under vatten på ett sådant sätt att filtret aldrig blir torrt.



ÖPPNING AV PAKETET

Inuti BLUEXTREME-paketet kommer du att hitta:

- 1 externt BLUEXTREME-filter, komplett med pump och filtreringsmaterial (svampar och keramiska cylindrar);
- 2 böjbara rörslangar av giftfri PVC längd 1,5 eller 2 meter (Ø 15/21 mm);
- 2 (BLUEXTREME 700) eller 4 (BLUEXTREME 1100 - 1500) BLUSTART-kapslar (speciella kapslar som påskyndar filtermognadsprocessen);
- tillbehör, inklusive:
 - 1 utdragbart sugrör komplett med galler, lock för filteranslutning och gängad fästring för slangen;
 - 1 urladdningsrör komplett med förlängning, anslutningar för spraystång eller munstycke och gängad fästring för slangen;
 - 1 spraystång;
 - 1 roterande munstycke;
 - 6 långa klämmor med spärr;
 - 4 korta klämmor med spärr;
 - 10 sugkoppar;
 - 4 stödfötter för filter;
 - 2 klämhållare



BLUEXTREME-FILTER, TEKNISKA DATA

BLUEXTREME	KAPACITET	TRYCKHÖJD	INVÄNDIG TANKVOLYM	BIOLOGISK FILTRERINGSVOLYM	EFFEKT	AKVARIETS TANKVOLYM	MÅTT	FILTRERINGSKORGAR
model	L/h	m	L	L	W	L	cm	n°
700	700	1,3	5,5	1	12	< 150	22 x 22 - h 34	3
1100	1100	1,5	7	1	16	150 < l < 300	22 x 22 - h 40	4
1500	1500	2,2	11	2,5	32	< 500	26 x 26 - h 46	4



BLUEXTREME:

upptäck alla dess imponerande egenskaper

Filterhandtag

Ett lättanvänt handtag för att transportera filtret som håller även när filtret är fullt med vatten (**Bild A/1**).

Utlösningsarm för ventil

En lättanvänd spak som underlättar tömning av ventilenheten från filterluckan vid underhållsarbete (**Bild A/2**).

OBS: Ventilenheten kan tas bort från locket enbart om spaken är i vertikalt läge.

Ventilöppningsspaken (säkerhetssystem)

En hävarm som medger öppning/stängning av ventilenheten och reglering av flödet (**Bild A/4**).

Rörkopplingar med fästring

Lättanvända 360° roterande kopplingar (**Bild A/7**) med en fästring som tillåter en säker montering på slangen (**Bild A/3**).

Ventilenheten

Ett element som lätt kan tas bort från locket tack vare utlösningssarmen som innehåller ventiler för att avbryta vattenflödet (**Bild A/10**).

OBS: Vid tömning från locket blockerar ett särskilt system ventilenhetens utlösningssarm så den inte kan röra sig av misstag och orsaka vattenläckage.

Krokar

4 starka krokar som ger ett fast grepp mellan locket och filtertanken (**Bild A/5**). En särskild knapp tillåter blockering av kroken när den är stängd i syfte att undvika oavsiktlig öppning (**Bild A/6**).

OBS: Röd: blockerad krok; Grön: oblockerad krok.

Tanktätning

Särskild tätning av EPDM-gummi för att garantera maximalt grepp mellan lock och behållare (**Bild A/8**).

Förkammartätning

Särskild tätning av EPDM-gummi expanderad med slutna celler som garanterar vattenflödet från filteringången till botten av tanken, utan någon läckageväg (**Bild A/9**).

Korg med keramiska cylindrar

En lättanvänd korg som innehåller keramiska cylindrar för biologisk filtrering.

Denna position optimerar filtereffektivitet (**Bild B/1**).

Vattenpassagerör

Ett integrerat rör som säkerställer ett direkt flöde av vatten från akvariet till botten av tanken (**Bild B/2**).

Korg med filtermaterial

Lättanvända korgar som innehåller svampar av varierande porositet, lätta att anpassa till andra typer av material (**Bild B/3**). De särskilda justerbara handtagen säkerställer att deras läge fixeras väl mot tankväggen på ett sätt som undviker läckagevägar av vatten runt svamparna (**Bild B/4**). Filtermaterialen kan ersättas av andra, inklusive perlonull BLUFIBRE (mekanisk filtrering), aktivt kol i kornform BLUCARBON och zeoliten BLUZEOLITE (absorberande filtrering) eller andra material, var försiktig så att filtret inte täpps igen.

Sugrör

Särskilt rör för att suga vattnet i akvariet, med justerbar längd (**Bild C/6**). Röret innehåller ett galler för att undvika att blad eller fiskar kommer in i filtret (**Bild C/7**) och ett hål med en hylsa för anslutningen (**Bild C/8**). Dessutom försäkras fästingen en säker anslutning på slangen.

Slang

Slang av PVC med en diameter om 15/21 mm som finns färdigskurna i två delar.

Bild A

- 1 Filterhandtag
- 2 Utlösningsarm för ventil
- 3 Fästringar
- 4 Spak för filteröppning och flödesreglering
- 5 Krok
- 6 Säkerhetsknapp för stängning av krok
- 7 Rörkopplingar för vattenintag och -tömning
- 8 Tanktätning
- 9 Förkammartätning
- 10 Ventilenhet

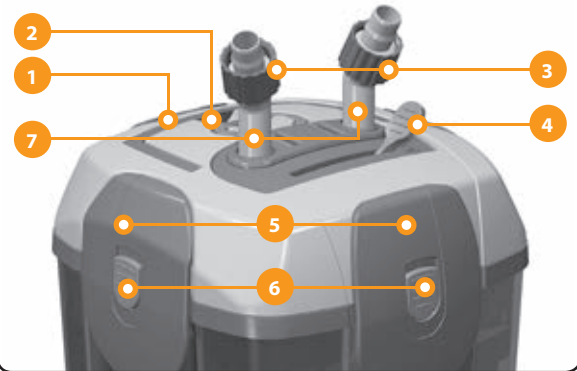
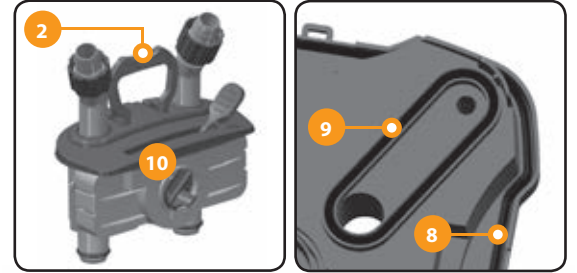


Bild B

- 1 Keramiska cylinderkorgar med lock
- 2 Rör för vattenpassage mot tankens botten
- 3 Filtreringsmaterialkorg med svampar
- 4 Justerbara korghandtag
- 5 Tank
- 6 Stödben

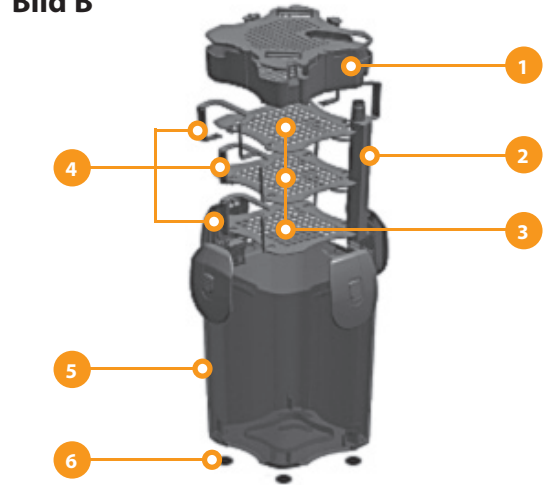
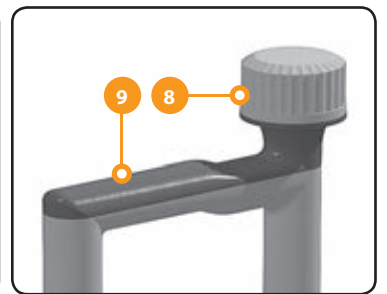
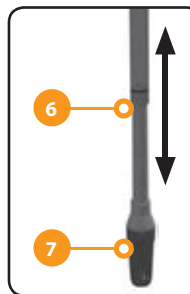
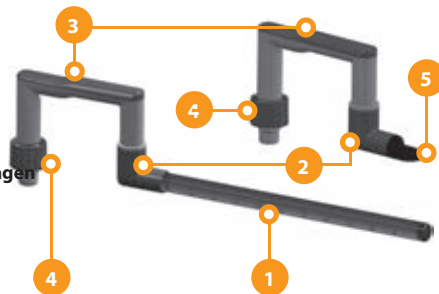


Bild C

- 1 Spraystäng
- 2 Rörkoppling 90 grader
- 3 Rörkoppling utan lock
- 4 Fästring för anslutning till slangen
- 5 Roterande munstycke
- 6 Justerbart sugrör
- 7 Galler
- 8 Kapsyl för filteranslutning
- 9 Slangkoppling med lock



Ordningställande av akvariet

- Dekorera akvariet enligt rekommendationerna från din återförsäljare eller som anges i instruktionsmanualen.
- Om du ställer i ordning ett akvarium med tropiska sötvattensfiskar rekommenderar vi ett enhetligt grunt lager av gödsel.
- Fyll tanken med vatten (vi rekommenderar att du använder 50 % kranvatten och 50 % avjoniserat vatten för akvarier, men denna procentsats kan variera beroende på ditt kranvattens egenskaper).
- Ställ in temperaturen på värmaren utifrån de valda fisk- och växtarterna (till exempel, för tropiska sötvattensakvarier är den genomsnittliga temperaturen ungefär 25-26°C).

Installera det externa filtret enligt beskrivningen nedan

(Inklusive införandet av BLUSTART-tabletterna)

- Placera växterna i akvariet efter att vattnet varit i tanken i 24 h för att försäkra dig om att temperaturen och vattnets kemiska värden är stabila.
- Innan du sätter i fisk måste du vänta 10-12 dagar så att filtret är aktivt. Vi rekommenderar att du kontrollerar parametrarna för vattnet i ditt akvarium med mätutrustningen MULTISTICK TESTER. Din återförsäljare kan också rekommendera de idealiska värdena för temperatur, hårdhet etc, enligt fisk- och växtarterna som du har valt för ditt akvarium. Det är en bra idé att upprepa kontrollen ofta. När fisken är isatt, tillsätt BLUSTART-tabletterna som medföljer filtret (1 av 700 och 2 av 1100 och 1500) på botten av filtertanken (du kan föra in dem enkelt genom röret, **Bild D**).
- Under perioden som behövs för filterunderhåll, lägg till en daglig mindre dos av torr mat: det kommer underlätta bildandet av bakteriefloran.

Förberedelse och installation av filtret

- Sätt fast de fyra stödbenen på botten av tanken (**Bild B/6**).
- Placera BLUEXTREME-filtret under ditt akvariums nivå (om du vill, placera det på sidan av akvariet, vilket kan göras efter start). Alla Ferplast-stativ är utformade för att underlätta rörens passage.
OBS: Från botten av filterstödet till rörens intagsport till akvariet får det inte vara mer än 160 cm.
- Sätt i ventilenheten i hållaren; sänk utlösningssarmen och verifiera att reglerarmen är i OBLOCKERAT läge.
- Ta ur filtertanklocket med hjälp av krokarna (kom ihåg att de 4 säkerhetsknapparna först måste höjas, och ändras från röd till grön, **Bild E**) och verifiera att filteringsmaterialen är korrekt placerade; släpp 1 (700) eller 2 (1100-1500) BLUSTART-kapsyler i botten av filtertanken (du kan enkelt föra in dem genom röret). Stäng filtret igen, placera locket över tanken, fixera det med de fyra krokarna och stäng säkerhetsknapparna.
OBS: lås inte en krok i taget, utan gör det parvis (mittemot varandra).
Var försiktig med korrekt montering och riktning av locket på tanken, placera det på ett sätt som garanterar kontinuiteten i vattnets passage från intaget till utloppet (**Bild F**).
Se till att det inte finns någon smuts eller främmande föremål på tätningarna under locket.
- Placera flödes- och sugrören i ditt akvarium, och se till att sätta fast dem ordentligt med de lämpliga tillbehören (**Bild G**).
OBS: CAYMAN-, DUBAI- och CAPRI-akvarierna och STAR-akvarierna är lämpligt utformade för rörens passage (**Bild H**).
- På CAYMAN-, DUBAI- och CAPRI-modellerna finns lätt borttagbara avbrytbara styrcinnsar på baksidan av höljet.
- På STAR-modellerna kan de bakre gallerventilerna enkelt tas bort för att tillåta passage av rör.
- Vi rekommenderar att du placerar flödes- och sugenheten i de bakre delarna, i motsatta positioner, för att undvika bildandet av direkta passager mellan de två. I själva verket kan dessa passager riskera att ditt akvarium fungerar effektivt.
OBS: I akvariet CAYMAN 60, på grund av den minskade mängden tillgängligt utrymme, är det inte möjligt att använda C-formade anslutningar i vänstra delen av akvariet; därför rekommenderar vi att sugröret placeras på höger sida och flödesenheten på vänster sida, så den går direkt in i flödet med slangen.

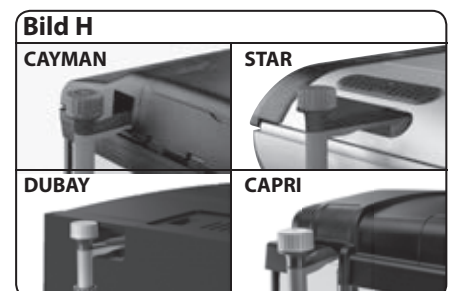
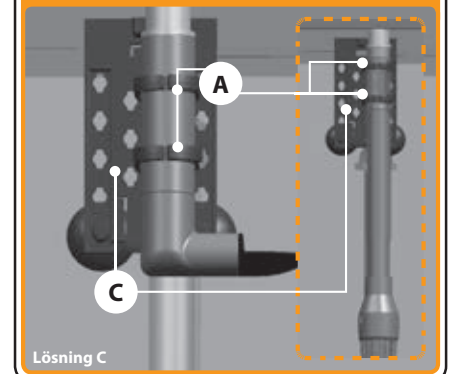
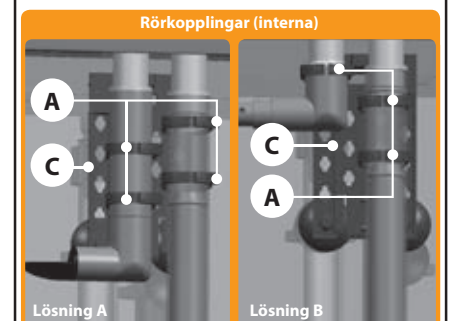
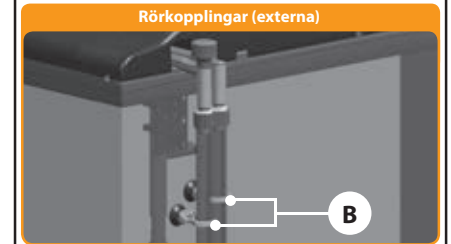
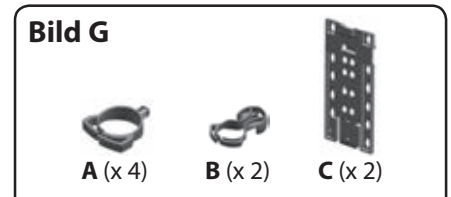
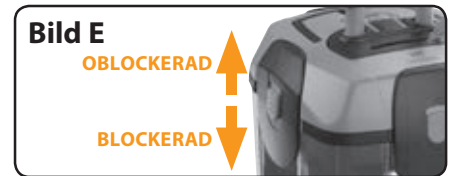
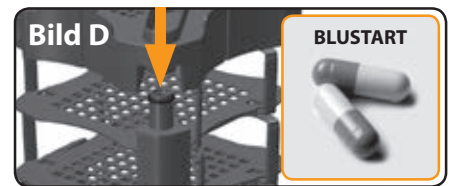
SUGRÖR

Placera C-formade anslutningar med lock (**Bild C/9**) på akvariet och anslut den halvgenomskinliga röret mot insidan av akvariet; sätt i höjdregeringsröret (**Bild C/6**), då gallret redan anslutits på botten. Reglera sedan placeringen av akvariegallret och håll det ungefär 3-4 cm från botten av tanken.

TILLFLÖDESRÖR

Placera "C"-formade anslutningar utan lock (**Bild C/3**) på akvariet och anslut 90-gradiga rörkopplingar med eller utan förlängning (**Bild C/2**). Anslut sedan spraystången (**Bild C/1**) eller munstycket som roterar i 360° (**Bild C/5**). Anslut de böjbara rörslangarna till filterrörkopplingen och flödes- och sugenheten, var försiktig så du inte vänder på riktningen (IN från filtret mot sugenheten, UT från det externa filtret mot tillflödesröret, **Bild F**). Efter att de satts i hållaren, använd fästingar för att sätta fast dem ordentligt.

OBS: De böjbara rörslangarna ska skäras rakt av och vid rätt längd; sedan ska de anslutas på ett sätt som inte skapar veck (detta underlättar även filteranslutning) eller böjning (vilket skulle kunna försämra vattenkapaciteten).





Start av filtret (självslugande system)

- 1 Se till att ventilöppningsspaken är i stängt läge.
- 2 Öppna locket som är placerat ovanför sugenheten och häll i en kopp med vatten (ungefär 150 ml).
- 3 Stäng locket ordentligt igen.
- 4 Öppna filterventilen genom att använda den lämpliga spaken. På detta sätt startar systemet automatiskt.
- 5 Sätt på filtret genom att ansluta det till eluttaget. Med spaken går det att reglera flödet och utsläppet av vattnet.

OBS:

Se till att det inte finns några läckor när filtret startas. Efter ett par timmars drift, kontrollera att filtret fungerar korrekt och att det inte finns några läckor. Om vattnet inte rinner på ett tillfredsställande sätt i utloppsroret, kontrollera rörets anslutningar och se till att de inte är blockerade eller böjda. Genom att lätt skaka på filtret går det att släppa ut eventuell luft som finns inuti.

Underhåll

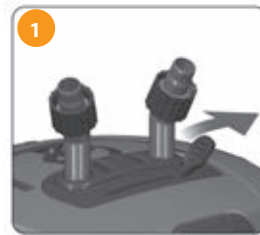
Viktigt: koppla alltid bort filtret från elströmmen innan något underhållsarbete utförs. Filterunderhåll måste göras regelbundet, åtminstone var tredje eller fjärde vecka, och alltid när det är en uppenbar minskning av flödesnivån.

För att utföra underhåll:

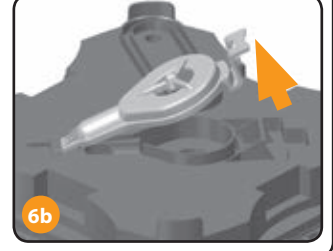
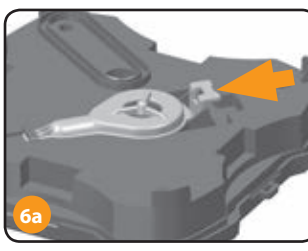
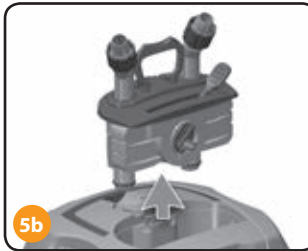
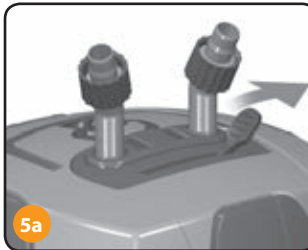
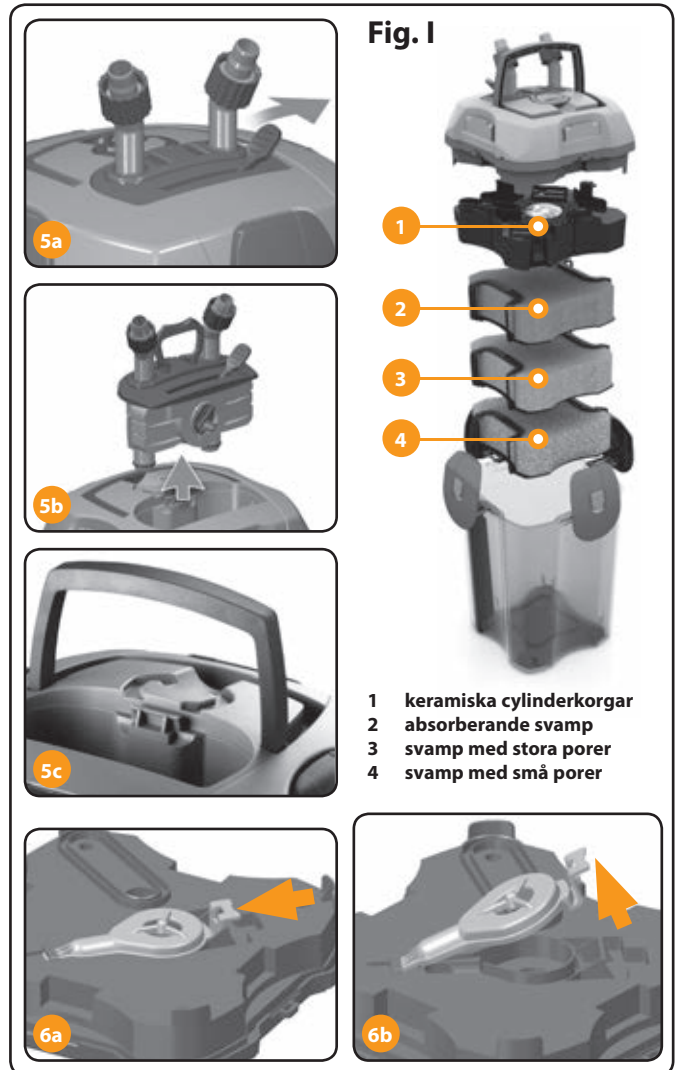
- stäng ventilen med spaken (**Bild I/5a**);
- koppla bort filtret från elektriciteten;
- efter några sekunder, ta ur ventilensheten med utlösningsarmen (**Bild I/5b**);
- flytta filtret till det område där du kommer att rengöra det, med hjälp av det fasta handtaget (**Bild I/5c**);
- öppna filtret genom att flytta krokarna (kom ihåg att höja säkerhetsknapparna);
- ta ur den keramiska cylinderkorgen. (OBS: det är inte nödvändigt att rengöra det biologiska filteringsmaterialet så att de kan behålla sina bakteriella föreningar som håller dem aktiva);
- Skölj de mekaniska och absorberande filteringsvamparna, ta ur dem genom de motsatta korghandtagen:
 - de mekaniska filteringsvamparna måste ersättas åtminstone var sjätte månad; använd endast BLUMEC-original;
 - Effekten av den absorberande svampen upphör efter ca 2-3 veckor; därför rekommenderar vi att den ersätts av ett BLUCLEAR-original eller att den lämnas i filtret med mekanisk funktion; hur som helst måste den bytas ut var sjätte månad;
 - den absorberande svampen kan också ersättas av andra material, inklusive aktivt kol i kornform BLUCARBON eller zeolit BLUZEALITE (det rekommenderas att placera dem med den medföljande påsen);
 - under perioder av särskild terapeutisk behandling måste den absorberande svampen tas bort från filtret (för att undvika en minskning av dess effekt). När denna period är över rekommenderar vi att du sätter dit en ny.
- Rengör rotorn och filterpumpens axel minst var tredje till fjärde månad:
 - ta bort pumplocket, skjut fliken mot fläkten och dra ur den helt (**Bild I/6a-b**);
 - ta ut rotorn och axeln och rengör dem med en mjuk borste och ljummet vatten (använd inte rengöringsmedel eller slipmedel);
 - återmontera pumpen på samma sätt genom att vända på processen, se till att den keramiska axeln stitter ordentligt i dess hållare i sockeln (var försiktig när du hanterar den, då den är mycket ömtålig).
- Sätt ihop filtret på nytt; var noga med att sätta in filteringsmaterialen i rätt ordning igen: blå svamp med stora porer på botten, blå svamp med små porer i mitten (bara för 1100 och 1500), svamp med aktivt kol på nästa, korg med keramiska cylindrar längst upp.
- Placera filtret nära tanken och sätt på nytt i ventilerna i hållaren. OBS: om det finns vatten på den inre luckan, släpp ut vattnet, innan du sätter in den i filtret, genom att luta på locket.
- Om du har gjort rätt kommer filtret att starta när du öppnar ventilerna och ansluter elen. Om filtret inte skulle starta av någon anledning, utför proceduren som anges i punkten "Start av filtret".

Andra underhållsaktiviteter:

- Tätning: för att försäkra att filtret förblir läckagefritt rekommenderar vi att tätningarna byts ut minst en gång per år, med rätta Ferplast-tillbehör.
- Rengör suggallret regelbundet, kontrollera att det aldrig är blockerat.
- Rengör de böjbara rörslangarna regelbundet så att alger eller smuts inte minskar eller hindrar vattnets passage.



SJÄLVSLUGANDE SYSTEM



Reservdelar och tillbehör

Varje del av BLUEXTREME-filtret kan enkelt bytas ut. Reservdelarna finns tillgängliga i butiken där du köpte filtret. Det finns också flera Ferplast-tillbehör tillgängliga, som uppdateras kontinuerligt, och som är användbara för att möta akvariets olika behov. För ersättning av någon komponent och för att garantera att din produkt fungerar och är så säker som möjligt är det nödvändigt att endast använda Ferplast originaldelar. Montering av reservdelar som inte är original gör garantin ogiltig.

Garanti

Ferplast garanterar att BLUEXTREME-filtret och alla dess beståndsdelar och tillbehör inom de gränser som visas i den nuvarande klausulen och genom bestämmelserna i gällande lag. Garantin gäller endast för tillverkningsfel och inkluderar gratis reparation och ersättning. Garantin gäller inte för skador och/eller defekter orsakade av försummelse, slitage, användning som inte följer rekommendationerna och varningarna som anges i denna manual, olyckor, misskötsel, felaktig användning, olämpliga reparationer och försäljning utan kvitto. Svamparna, tätningarna och filteringsmaterialen är undantagna från garantin.

BLUEXTREME 700/1100/1500

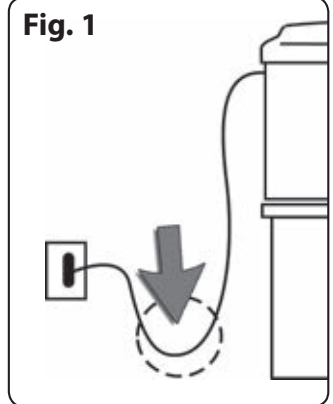
FORORD

Tillykke med at have valgt et eksternt BLUEXTREME-filter fra Ferplast. Det er konstrueret, så du kan få masser af glæde af det, og dine fisk og planter kan trives, uden at du behøver gå på kompromis med sikkerheden. Sørg for, at den kraftige pumpe inde i filtret er helt nedsænket i vandet. Hver komponent er i overensstemmelse med de relevante internationale sikkerhedsregler (CEI EN 60335-2-41).

Installation og håndtering af filtret er let og sjov. Og med BLUEXTREME er det nok med nogle få minutters vedligeholdelse hver måned, for at dit akvarium altid er i perfekt, effektiv stand.

INDLEDENDE ADVARSLER

- Kontrollér, at den anviste spænding på udstyrets etiket svarer til el-nettet.
- Filtret er beregnet til indendørs brug.
- Sørg for, at dit hjem er beskyttet opstrøms af et relæ med en strømstyrke, der ikke overstiger 30 mA.
- Frakobl udstyret fra strømforsyningen, inden der foretages nogen vedligeholdelsesaktiviteter.
- Ledningen må ikke repareres eller udskiftes. I tilfælde af beskadigelse skal hele udstyret udskiftes.
- Væskens temperatur må ikke overstige 35 °C.
- Når filtret er tilsluttet strømforsyningen, skal man sørge for, at el-ledningens laveste punkt er under stikkontakten. Så undgår man, at eventuelle vanddråber på ledningen tilfældigt løber ned i stikkontakten (**fig. 1**).
- Dette produkt er kun egnet til at blive anvendt af børn eller handicappede person under opsyn.
- Sørg for, at indsugningsrøret altid er dækket af vand, således at filtret aldrig bliver tørt.



ÅBNING AF EMBALLAGEN

Inde i BLUEXTREME-emballagen finder du:

- 1 eksternt BLUEXTREME-filter, komplet med pumpe og filtreringsmaterialer (svampe og keramiske cylindere);
- 2 bøjelige rørslinger i ikke-giftigt PVC, længde 1,5 eller 2 meters (Ø 15/21 mm);
- 2 (BLUEXTREME 700) eller 4 (BLUEXTREME 1100 - 1500) BLUSTART-kapsler (specielle kapsler, der fremskynder filtermodningsprocessen);
- tilbehørskit, der består af:
 - 1 udtrækkeligt indsugningsrør forsynet med gitter, prop til at holde filtertilslutningen og strammende røring til den bøjelige rørslange.
 - 1 udløbsrør forsynet med forlænger, tilslutninger til spraybar eller dyse og strammende røring til den bøjelige rørslange.
 - 1 spraybar.
 - 1 drejelig dyse.
 - 6 lange clips med skralde.
 - 4 korte clips med skralde.
 - 10 sugekopper.
 - 4 filterstøtten.
 - 2 clipsholdere.



TEKNISKE DATA OM BLUEXTREME-FILTER

BLUEXTREME	KAPACITET	LØFTEHØJDE	INDVENDIG TANKVOLUMEN	BIOLOGISK FILTRERINGSVOLUMEN	EFFEKT	AKVARIETS TANKVOLUMEN	DIMENSIONER	FILTRERINGSKURVE
model	L/h	m	L	L	W	L	cm	n°
700	700	1,3	5,5	1	12	< 150	22 x 22 - h 34	3
1100	1100	1,5	7	1	16	150 < l < 300	22 x 22 - h 40	4
1500	1500	2,2	11	2,5	32	< 500	26 x 26 - h 46	4



BLUEXTREME:

opdag alle dets fantastiske kvaliteter

Filterets håndtag

Et let anvendeligt håndtag til transport af filtret, designet til at kunne holde, selv når det er fyldt med vand (Fig. A/1).

Udløsningshåndtag til ventil

Et let anvendeligt håndtag, der gør det let at trække ventilgruppen ud af filtrets låg under vedligeholdelse (Fig. A/2).

BEMÆRK: Ventilgruppen kan kun trækkes ud af låget, hvis håndtaget står i den lodrette position.

Håndtag til åbning af ventil (sikkerhedssystem)

Et håndtag, der tillader åbning/lukning af ventilerne og regulerer gennemstrømningen (Fig. A/4).

Rørtilslutninger med røring

Let anvendelige 360° drejelige tilslutninger (Fig. A/7) med en røring, der muliggør sikker tilslutning af den bøjelige rørslange (Fig. A/3).

Ventilgruppe

Et element, der er let at trække ud af låget takket være frigørelseshåndtaget, og som indeholder ventiler til indfangning af vandgennemstrømningen (Fig. A/10).

BEMÆRK: Når det trækkes ud af låget, blokerer et specielt system ventilens åbningshåndtag, så det ikke kan komme til at bevæge sig og forårsage generende vandudslip.

Kroge

4 kraftige kroge til at holde låget og filtertanken godt fast mod hinanden (Fig. A/5). En speciel knap giver mulighed for at blokere krogen, når den er lukket, så man undgår generende tilfældig åbning (Fig. A/6).

BEMÆRK: Rød: blokeret krog; Grøn: oplukket krog.

Tankpakning

Special pakning i EPDM-gummi for at garantere maksimalt greb mellem låget og tanken (Fig. A/8).

Forkammerpakning

Special pakning i EPDM udvidet med lukkede celler, der garanterer, at der er vandgennemstrømning fra filtertilførslen til bunden af tanken uden nogen præferencepassage (Fig. A/9).

Kurv med keramiske cylindere

Let anvendeligt kurv indeholdende de keramiske cylindere til biologisk filtrering. Denne position optimerer filtrets effektivitet (Fig. B/1).

Rør til passage af vand

Et integreret rør, der sikrer direkte gennemstrømning af vand fra akvariet til bunden af tanken (Fig. B/2).

Kurv til filtreringsmateriale

De let anvendelige kurve indeholder svampe af varierende porøsitet; de kan let tilpasse til andre type materialer (Fig. B/3). De specielle justerbare håndtag sikrer, at deres position altid klæber til tankens væg, således at præferencepassage af vand rundt om svampen undgås (Fig. B/4). Filtreringsmaterialer kan udskiftes med andre, heriblandt BLUFIBRE af perlonuld (mekanisk filtrering), aktiveret trækul i BLUCARBON-granulater og BLUZOLITE-zeolit (absorberende filtration) eller andre materialer, idet man sørger for, at filtret ikke tilstopper.

Indsugningsrør

Specielt rør til ind sugning af vand i akvariet, justerbar længde (Fig. C/6). Røret indeholder et gitter, der forebygger, at blade eller fisk kommer ind i filtret, (Fig. C/7) og et hul med en prop til tilslutningen (Fig. C/8). Derudover sikrer rørringen, at slangen spændes fast.

Bøjelig rørslange

Special bøjelig rørslange i PVC med en diameter på 15/21 mm, allerede skåret i 2 stykker.

Fig. A

- 1 Filterhåndtag
- 2 Frigørelseshåndtag til ventil
- 3 Røring
- 4 Håndtag til åbning af ventil og regulering af gennemstrømning
- 5 Krog
- 6 Sikkerhedsknap til lukning af krog
- 7 Rørtilslutning til tilførsel og afløb af vand
- 8 Tankpakning
- 9 Forkammerpakning
- 10 Ventilgruppe

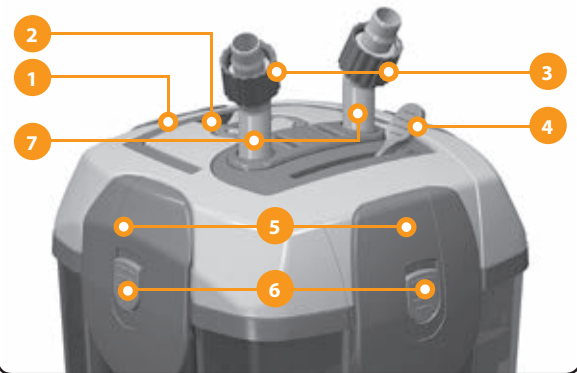
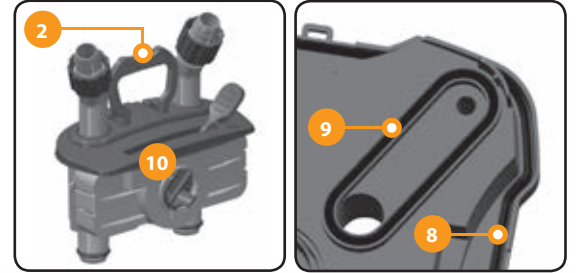
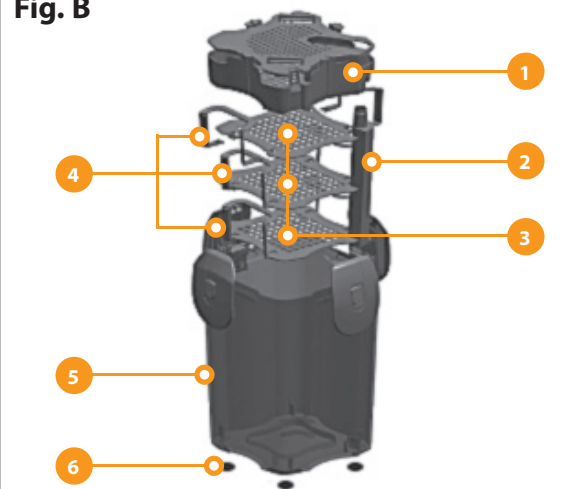


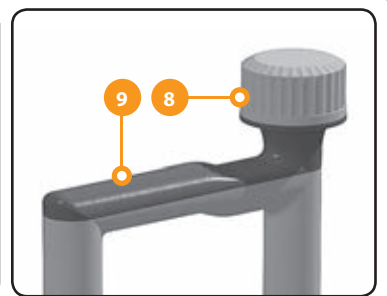
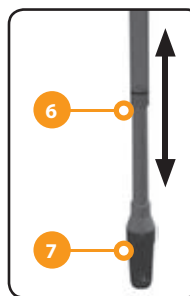
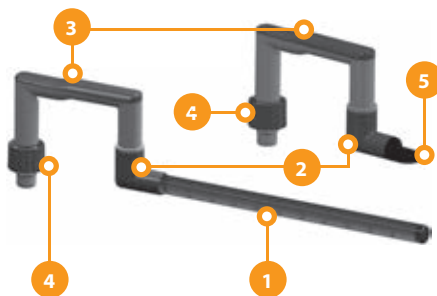
Fig. B



- 1 Kurv med keramiske cylindere med låg
- 2 Vandpassagerør ned mod tankens bund
- 3 Kurv med filtreringsmaterialer og svampe
- 4 Justerbart håndtag på kurven
- 5 Tank
- 6 Støtteben

Fig. C

- 1 Spraybar;
- 2 "L"-tilslutninger
- 3 Tilslutninger uden prop
- 4 Røring til fastgøring til den bøjelige rørslange
- 5 Drejelig dyse
- 6 Justerbart indsugningsrør
- 7 Gitter
- 8 Prop til filtertilslutningen
- 9 Tilslutninger med prop



Opsætning af akvariet

- Indret akvariet, som din foretrukne forhandler anbefaler det, eller som det indikeres i instruktionsmanualen.
- Hvis du opstiller et akvarium med tropiske ferskvandsfisk, så anbefaler vi under alle omstændigheder et lægge et tyndt lag gødning i bunden.
- Fyld tanken med vand. (Vi anbefaler at bruge 50% postevand og 50% demineraliseret vand til akvarier, skønt dette forhold kan variere afhængig af dit postevands karakteristika).
- Sæt temperaturen på varmelegemet efter de valgte fiskearter og planter (fx i tropiske ferskvandsakvarier er den gennemsnitlige temperatur cirka 25-26°C).

Installér det eksterne filter som beskrevet nedenfor

(Herunder indsætning af BLUSTART-tabletter)

- Anbring planterne i akvariet, efter at vandet har været i tanken i 24 timer, for at være sikker på, at vandets temperatur og de kemiske værdier har stabiliseret sig.
- Inden fiskene sættes ned, skal du vente 10-12 dage, så filter kan blive aktivt. Vi tilråder, at du kontrollerer akvarievandets parametre med måleapparatet MULTISTICK TESTER. Din foretrukne forhandler kan også anbefale de ideelle værdier for temperatur, hårdhed osv. efter de fiskearter og planter, som du har valgt til dit akvarium. Det er en god ide at gentage denne kontrol ofte. Når fiskene er kommet i, skal man tilsætte de BLUSTART-tabletter, der er vedlagt filtret, (1 i 700 og 2 i 1100 og 1500) i bunden af filtertanken. (Du kan nemt indføre dem igennem røret, **Fig. D**).
- I den nødvendige periode, hvor filtret modnes, skal der dagligt tilføjes en lille dosis tørfoder: Det fremmer dannelsen af bakterieflora.

Klargøring og installation af filtret

- Klæb filtrets fire støtteben til bunden af tanken (**Fig. B/6**).
- Stil BLUEXTREME-filtret under dit akvariums niveau. (Hvis du ønsker det, kan du sætte det ved siden af akvariet, hvilket kan gøres efter opstart). Alle Ferplasts stativer er designet, så der er plads til filtret, og de letter rørens passage.

BEMÆRK: Fra bunden af filterstøtten til rørens indsugningspunkt i akvariet må der ikke være mere end 160 cm.

- Sæt ventilgruppen ind i pakningen. Sænk frigivelseshåndtaget, og kontroller, at reguleringshåndtaget står i den OPLUKKEDE position.
- Træk filtertanken ud af låget ved hjælp af krogene (husk, at de 4 sikkerhedsknapper først skal være oppe, så de går fra rød til grøn, **Fig. E**) og kontroller den korrekte position af filtreringsmaterialerne. Tilsæt 1 (700) eller 2 (1100-1500) BLUSTART-kapsler i bunden af filtertanken. (Du kan let indføre dem igennem røret). Luk filtret igen. Sæt låget på tanken, og bloker den med de fire kroge. Luk sikkerhedsknapperne.

BEMÆRK! Lås ikke en enkelt krog ad gangen, men lås krogene parvis (dem over for hinanden).

- Sørg for, at låget er korrekt samlet og korrekt placeret på tanken, således at den garanterer kontinuerlig vandgennemstrømning fra tilførsel til udløb (**Fig. F**).
- Sørg for, at der ikke er snavs eller fremmedlegemer på pakningerne under låget.

- Anbring gennemstrømnings- og indsugningsrørene i dit akvarium. Sørg for at fastgøre dem ordentligt med det egnede tilbehør (**Fig. G**).

BEMÆRK: Akvarierne CAYMAN, DUBAI OG CAPRI og akvariet STAR er designet til at fremme passagen af rørene (**Fig. H**).

- I modellerne CAYMAN, DUBAI og CAPRI er der let aftagelige brudblokeringer på bagsiden af låget.
- I STAR-modellerne kan luftgitrene let tages af for at muliggøre passage af rørene.
- Vi anbefaler, at du anbringer gennemstrømnings- og indsugningsenheden i de to bagerste hjørner for at undgå dannelsen af direkte passage mellem dem. Disse passager kan faktisk gå ud over effektiviteten af dit akvariums funktioner.

BEMÆRK: Da der af mindre plads til rådighed i akvariet CAYMAN 60, er det ikke muligt at bruge "C"-forbindelser i det venstre hjørne af akvariet. Derfor anbefaler vi at anbringe indsugningen i højre side og gennemstrømningen til venstre, således at den går direkte ind i gennemstrømningen med den bøjelige rørslange.

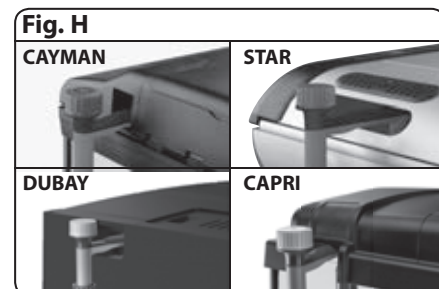
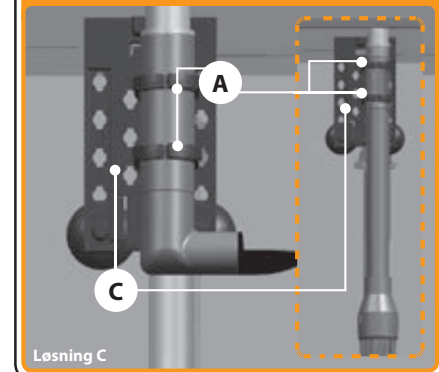
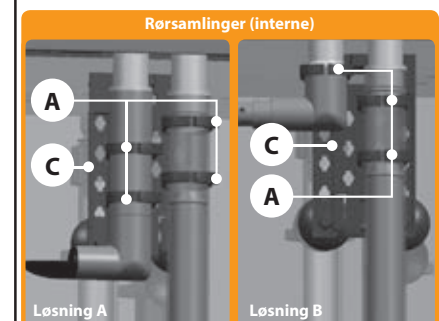
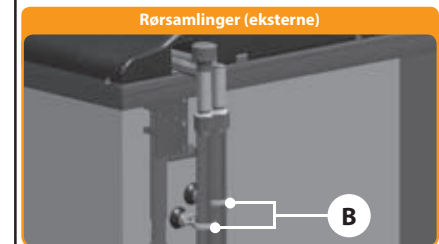
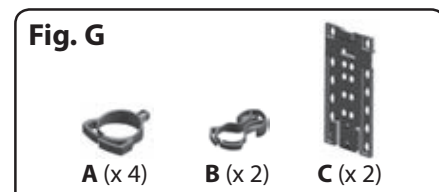
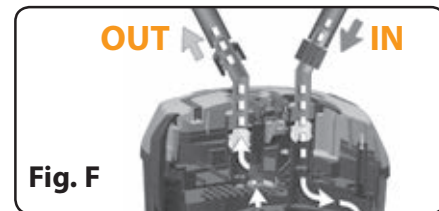
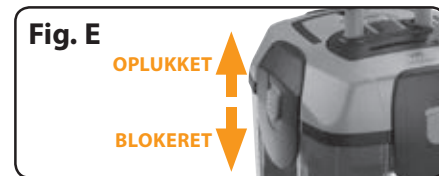
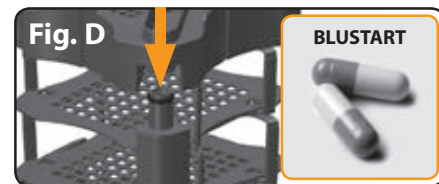
INDSUGNINGSRØR

Anbring "C"-tilslutning med prop (**Fig. C/9**) på akvariet, og tilslut det halvtransparente rør mod akvariets inderside. Indsæt røret med højderegulering (**Fig. C/6**) efter at have tilsluttet gitret i bunden. Regulér dernæst højden af akvariets gitter, således at den placeres cirka 3-4 cm over tankens bund.

TILFØRSELSRØR

Anbring "C"-tilslutningen med prop (**Fig. C/3**) på akvariet, og tilslut "L"-forbindelsen med eller uden forlænger (**Fig. C/2**) efter behov. Tilslut dernæst spraybaren (**Fig. C/1**) eller den 360° drejelig dyse (**Fig. C/5**). Tilslut de bøjelige rørslanger til filterets rørforbindelsen og tilførsels- og indsugningsenheden, idet du passer på med ikke at vende retningen om (IND fra filtret mod indsugningsenheden, UD fra det udvendige filter mod tilførselsrøret, **Fig. F**). Efter at have sat de bøjelige rørslanger ind i pakningen skal man bruge rørringene til at fastgøre dem forsvarligt.

BEMÆRK: De bøjelige rørslanger skal være skåret præcist og i den korrekte længde. De skal så tilsluttes, således at de ikke danner løkker (dette også for at lette filtertilslutningen) eller bøjes (hvilket kan gå ud over vandets kapacitet).





Start af filtret (selvspændende system)

- 1 Sørg for, at håndtaget til åbning af ventilen er i den lukkede position.
- 2 Åbn for proppen, der sidder over ind sugningsenheden, og indsæt et glas vand (cirka 150 cc).
- 3 Luk igen proppen forsvarligt.
- 4 Åbn filterventilen med det dertil egnede håndtag. På den måde starter systemet af sig selv.
- 5 Tænd for filtret ved at tilslutte det til en elektrisk stikkontakt. Ved brug af håndtaget er det muligt at regulere tilførslen og udløbet af vand.

BEMÆRK:

Når filtret er startet, så tjek, at der ikke er nogen lækager. Tjek efter et par timers funktion, om filtret fungerer korrekt, og kontroller igen, at der ikke er nogen lækager. Hvis vandet ikke strømmer på en tilfredsstillende måde i udløbsrøret, så kontroller rørets tilslutninger, og sørg for, at de ikke er tilstoppede eller bøje. Ved at ryste filtret let er det muligt at komme af med al luften inde i det.

Vedligeholdelse

Vigtigt: Frakobl altid filtret fra den elektriske strøm, inden der udføres nogen vedligeholdelse.

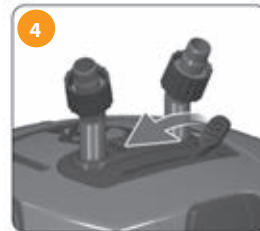
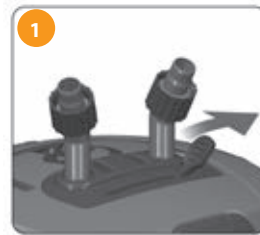
Vedligeholdelse af filtret skal ske jævnligt, mindst hver 3-4. uge og altid, når der er et tydeligt fald i niveauet af gennemstrømning.

Sådan udføres vedligeholdelsen:

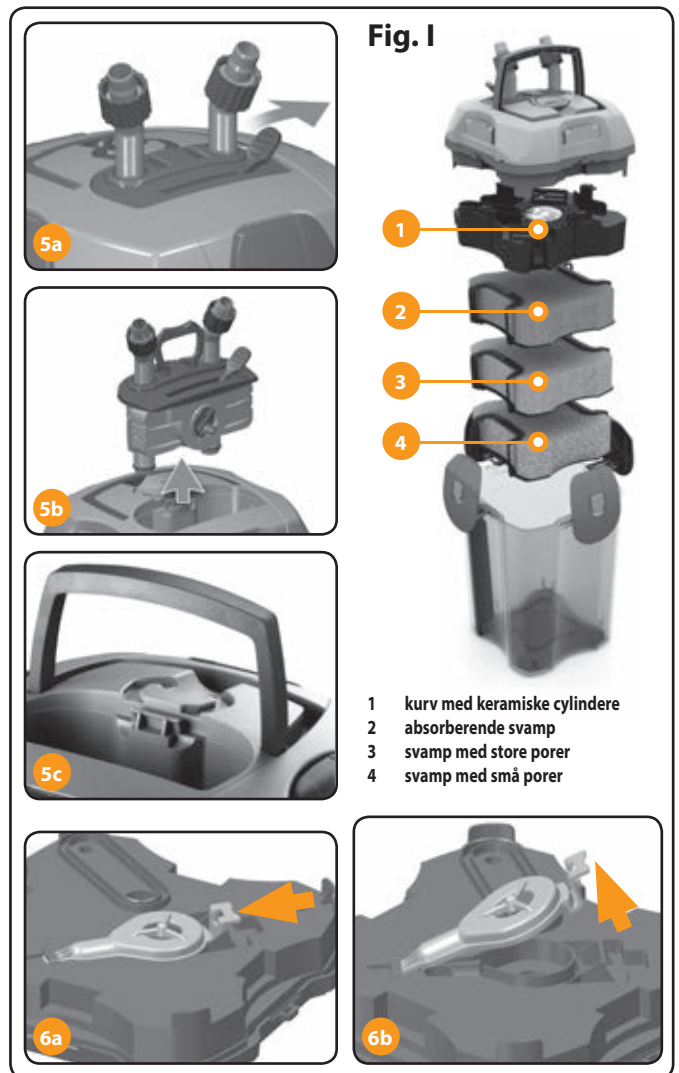
- Luk for ventilen med håndtaget (Fig. I/5a).
- Frakobl filtret fra elektricitet.
- Tag efter nogle sekunder ventilgrupperne ud, og brug samtidigt frigørelseshåndtaget til at gøre udtrækningen lettere (Fig. I/5b).
- Flyt filtret hen til det sted, hvor du vil gøre det rent, idet du bruger det robuste håndtag (Fig. I/5c).
- Åbn filtret ved at flytte krogene. (Husk at løfte sikkerhedsknapperne).
- Træk kurven med de keramiske cylindere ud. (BEMÆRK: Det er ikke nødvendigt at vaske det biologiske filtreringsmateriale, fordi på den måde kan de bevare deres bakterier, der holder dem aktive).
- Skyl svampene til den mekaniske og absorberende filtrering ved at trække dem igennem kurvens dertil beregnede håndtag:
- De mekaniske filtreringssvampe skal udskiftes mindst hver 6. måned. Brug kun originale BLUMEC-udskiftninger.
- Effekten af den absorberende svamp kan aftage i løbet af 2-3 uger. Derfor anbefaler vi at udskifte den med en originale BLUCLEAR-udskiftning og lade filtret med den mekaniske funktion sidde i; under alle omstændigheder skal den udskiftes hver 6. måned.
- Den absorberende svamp kan også udskiftes med andre materialer, heriblandt aktiveret kulstof i BLUCARBON-granulater eller BLUZEOILITE-zeolit. (Det tilrådes at anbringe dem i den vedlagte pose).
- I perioder med specielle terapeutiske behandlinger skal den absorberende svamp fjernes fra filtret. (For at undgå en reduktion af dens gavnlige effekt). Når denne periode er forbi, anbefaler vi, at du indsætter en ny.
- Rengør filterpumpens rotor og aksel mindst hver 3-4. måned:
 - Fjern pumpens låg, idet man skubber stropen, og træk den fuldstændigt af (Fig. I/6a-b).
 - Træk rotoren og akslen ud, og rengør dem med en blød børste og lunkent vand (brug ikke rengøringsmidler eller slibemidler).
 - Saml pumpen igen ved at gøre processen i omvendt rækkefølge, og kontroller, at den keramiske aksel sidder stramt i soklen. (Vær forsigtig, når den håndteres, da den er meget skrøbelig).
- Saml filtret igen. Vær omhyggelig med at sætte filtreringsmaterialer ind igen i den rigtige rækkefølge: Den blå svamp med store porer i bunden, den blå svamp med små porer i midten (kun ved 1100 og 1500), dernæst svampen med aktiveret kulstof, og kurven med de keramiske cylindere øverst.
- Anbring filtret i nærheden af tanken, og sæt igen ventilgruppen på plads. Pas på: Hvis der er noget vand på det indvendige låg, så lad vandet løbe ud ved at vippe det, inden det sættes ind i filtret.
- Hvis du har gjort det hele rigtigt, skal du bare åbne for ventilerne og tilslutte strømmen, så starter filtret. Hvis filtret af en eller anden grund ikke starter op, så udfør proceduren, der er anvist i kapitel "Start af filtret".

Andre vedligeholdelsesaktiviteter:

- Pakning: For at garantere en altid perfekt filtertæthed anbefaler vi, at pakningerne udskiftes mindst en gang om året med et dertil beregnede Ferplast Kit.
- Rengør jævnligt ind sugningsgitret, og tjek, at det ikke er tilstoppet.
- Rengør regelmæssigt de bøjelige rørslinger, så alger og snavs ikke mindsker eller forhindrer passagen af vand



DET SELVSPÆNDE SYSTEM



Reserve dele og tilbehør

Hver del af BLUEXTREME-filtret er let at udskifte. Reservedelene kan fås i den butik, hvor du købte filtret. Der findes en masse Ferplast-tilbehør, der hele tiden opdateres, og som kan tilpasse akvariet til de forskellige behov. For at garantere dit produkts bedst mulige funktion og sikkerhed er det nødvendigt kun at bruge originale Ferplast-dele ved udskiftning af enhver komponent. Anvendelse af ikke-originale reservedele ugyldiggør garantien.

Garanti

Ferplast garanterer, at BLUEXTREME-filteret og alle dets komponenter og tilbehør er inden for de grænser, der er fastsat i denne bestemmelse, og de gældende love. Garantien er kun gyldig ved fabriksfejl og omfatter gratis reparationer eller udskiftning. Garantien er ikke gyldig ved skader og/eller defekter forårsaget af forsømmelse, slid; brug, der ikke er i overensstemmelse med de anvisninger og advarsler, der er rapporteret i denne manual; ulykker; mishandling; misbrug; forkerte reparationer og salg, der ikke er ledsaget af en kvittering. Svampe, pakninger og filteringsmaterialer er ikke omfattet af garantien.

Предисловие

Мы поздравляем Вас с тем, что Вы выбрали внешний фильтр BLUEXTREME компании Ferplast, разработанный, чтобы полностью удовлетворить Ваши потребности и обеспечить здоровье Ваших рыб и растений, с учетом Вашей безопасности, поскольку встроенный мощный насос находится полностью под водой, каждая деталь отвечает соответствующим международным правилам контроля безопасности (CEI EN 60335-2-41).

Фильтр очень прост и удобен в эксплуатации. Благодаря BLUEXTREME, чтобы поддерживать аквариум в совершенных рабочих условиях, Вам понадобится всего лишь несколько минут в месяц.



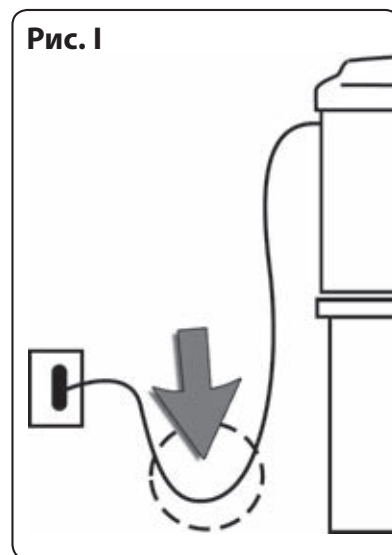
Предварительные предупреждения

- Проверьте, чтобы напряжение, указанное на оборудовании, отвечало напряжению сети.
- Фильтр разработан только для использования в помещениях.
- Проверьте, чтобы ваш дом был защищен дифференциальным предохранителем-выключателем с силой тока, не превышающей 30 мА.
- Выключите оборудование из розетки перед выполнением любых работ.
- Не ремонтируйте и не заменяйте сетевой шнур: в случае его повреждения, замените весь прибор.
- Температура воды не должна превышать 35°C.
- При подключении фильтра к сети проверьте, чтобы сетевой шнур образовывал свисающую петлю, находящуюся ниже розетки; чтобы исключить возможность попадания воды в розетку (Рис. 1).
- Прибор не предназначен для использования детьми или людьми с ограниченными способностями без присмотра.
- Проверьте, чтобы всасывающая трубка была полностью погружена в воду, во избежание пересыхания фильтра.

Открытие упаковки

В упаковке BLUEXTREME вы найдете:

- 1 внешний фильтр BLUEXTREME, с насосом и фильтрующими веществами (губками и керамическими кольцами);
- 2 гибких шланга из нетоксичного полихлорвинила длиной 1,5 и 2 метра;
- 2 (BLUEXTREME 700) и 4 (BLUEXTREME 1100 – 1500) капсулы BLUSTART (специальные капсулы, ускоряющие процесс созревания фильтра).
- 1 **дополнительный комплект:**
- 1 всасывающая трубка с решеткой, фиксирующим хомутом для гибкого шланга;
- 1 выходная трубка с наконечником, патрубками для распылителя или насадки и фиксирующим хомутом для гибкого шланга;
- 1 распылитель;
- 1 вращающаяся насадка;
- 4 длинных зажима;
- 4 коротких зажима;
- 8 присосок;
- ножки фильтра.



Технические характеристики фильтра BLUEXTREME

Модель фильтра	Мощность	Высота напора	Объем внутренней канистры	Объем биологической фильтрации	Мощность	Объем аквариума	Размеры	Число фильтрационных корзин
	л/час	м	л	л	кВт	л	см	
BluExtreme 700	700	1,3	4	1	12	< 150	22 x 22 – высота 34	3
BluExtreme 1100	1100	1,5	5,5	1	16	150 < l < 300	22 x 22 – высота 40	4
BluExtreme 1500	1500	2,2	11	2,5	32	< 500	26 x 26 – высота 46	4



Откройте для себя все замечательные качества фильтров

Ручка фильтра

Для перемещения фильтра предусмотрена легкая в использовании ручка, которая разработана так, чтобы удерживать даже наполненный водой фильтр (Рис. А/1).

Рычаг снятия клапана

Удобный в использовании рычаг, который облегчает снятие клапанов с крышки фильтра во время выполнения работ по уходу за фильтром (Рис. А/2).

ВНИМАНИЕ: клапаны можно снять с крышки фильтра, только если рычаг находится в вертикальном положении.

Рычаг открытия клапана (система безопасности)

Рычаг, позволяющий открывать/закрывать клапаны и регулировать поток (Рис. А/4).

Патрубок с хомутом

Удобные в использовании вращающиеся на 360° патрубки (Рис. А/7) с хомутами, которые позволяют присоединить патрубок к гибкому шлангу (Рис. А/3).

Клапаны

Деталь, которая легко снимается с крышки с помощью рычага снятия, имеющего клапаны для перехвата водного потока (Рис. А/10).

ВНИМАНИЕ: при снятии с крышки специальная система блокирует рычаг открытия клапана, чтобы он не сдвинулся случайно и не привел к вытеканию воды.

Замки

4 мощные замка для надежной фиксации крышки и канистры фильтра (Рис. А/5). Специальная кнопка позволяет заблокировать замок в закрытом положении, чтобы он случайно не открылся (Рис. А/6).

ВНИМАНИЕ: Красный: замок заблокирован; Зеленый: замок не заблокирован.

Уплотнительный блок канистры

Специальная изоляция из эпоксидных полимеров обеспечивает максимальную фиксацию крышки и канистры (Рис. А/8).

Уплотнительный блок прикамеры

Специальная изоляция из эпоксидных полимеров с герметичными элементами обеспечивает прохождение воды от входа в фильтр к дну канистры, напрямую (Рис. А/9).

Сетка керамических колец

Удобная в использовании сетка содержит керамические кольца для биологической фильтрации, что **значительно повышает эффективность фильтра** (Рис. В/1).

Трубка прохождения воды

Встроенная трубка, которая обеспечивает прямое протекание воды из аквариума на дно канистры (Рис. В/2).

Сетка для фильтрационных материалов

Удобные в использовании сетки с губками различной пористости, которые можно использовать и для других видов веществ (Рис. В/3). Специальные регулируемые ручки обеспечивают надежную фиксацию к стенке канистры, во избежание прохождения воды мимо губок (Рис. В/4). Фильтрационные вещества можно заменять другими, в состав которых входят перлоновые волокна BLUFIBRE (механическая фильтрация), активированный уголь в гранулах BLUCARBON и неолит BLUZEOLITE (абсорбирующая фильтрация) и другие, соблюдая осторожность, чтобы не засорять фильтр.

Трубка всасывания

Специальная трубка для всасывания воды в аквариуме, длина которой регулируется (Рис. С/6). Трубка имеет решетку, чтобы в фильтр не попадали листочки или рыбки (Рис. С/7) и отверстие с крышкой для соединения (Рис. С/8). Кроме того, втулка обеспечивает герметичность присоединения гибкого шланга.

Гибкий шланг

Специальный гибкий шланг из полихлорвинила диаметром 15/21 мм, который можно разрезать на две части.

Рис. А

- 1 Ручка фильтра
- 2 Рычаг снятия клапана
- 3 Хомуты
- 4 Рычаг открытия клапана и регулирования потока
- 5 Замок
- 6 Предохранительная кнопка фиксации замка
- 7 Патрубки для входа и выхода воды
- 8 Изоляция канистры
- 9 Изоляция предкамеры
- 10 Клапаны

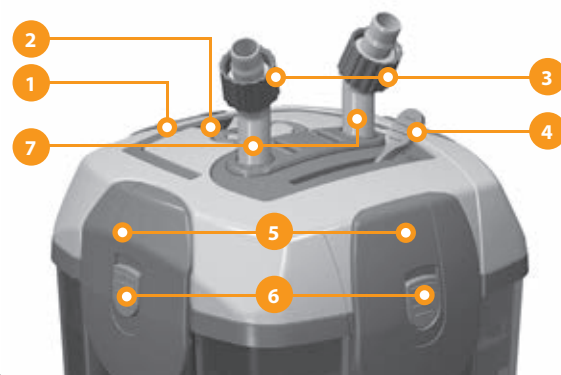
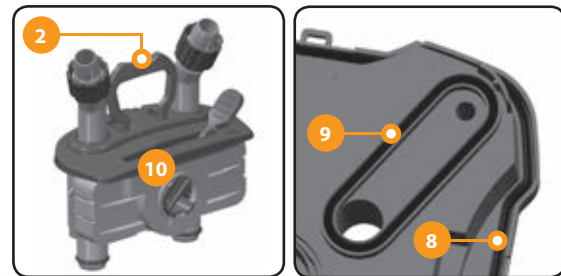


Рис. В

- 1 Сетка с керамическими кольцами и крышкой
- 2 Трубка прохождения воды ко дну канистры
- 3 Сетка с губками
- 4 Регулируемые ручки сетки
- 5 Канистра
- 6 Ножки

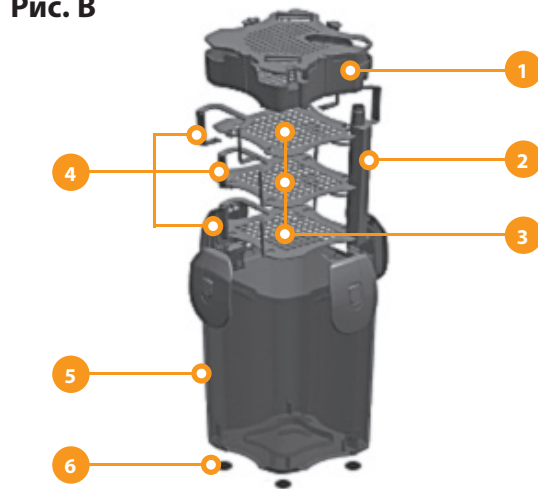
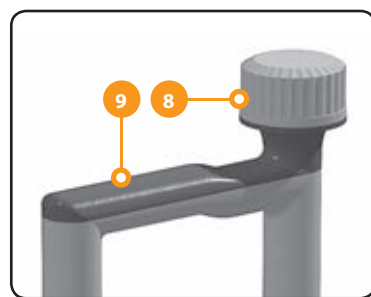
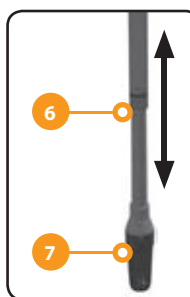
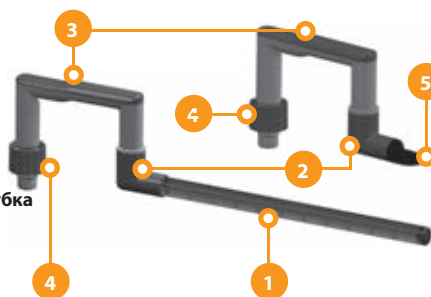


Рис. С

- 1 Распылитель
- 2 Патрубки "L"
- 3 Патрубки без заглушки
- 4 Хомут для присоединения гибкого шланга
- 5 Вращающаяся насадка
- 6 Регулируемая всасывающая трубка
- 7 Решетка
- 8 Фиксирующая ручка для подсоединения фильтра
- 9 Патрубки с заглушкой



Установка аквариума

- Декорируйте аквариум согласно рекомендациям магазина или согласно указаниям в инструкции.
- В любом случае, если вы декорируете свой аквариум пресноводными тропическими рыбами, советуем вам насыпать на дно аквариума тонкий ровный слой удобрения.
- Наполните аквариум водой (советуем использовать 50% воды из-под крана и **50% опресненной** воды для аквариумов, хотя это соотношение может меняться, в зависимости от характеристик используемой воды из-под крана).
- Установите температуру нагревателя в зависимости от выбранных видов растений и рыб (например, средняя температура для пресноводных тропических аквариумов составляет 25-26°C).

Установите внешний фильтр, как указано ниже

(Не забудьте положить капсулы BLUSTART)

- Растения помещайте в аквариум через сутки после наполнения водой, чтобы за это время температура и химические показатели воды стабилизировались.
- Запускайте рыб через 10-12 дней, чтобы активировать работу фильтра. Рекомендуем проверить показатели воды аквариума измерителем MULTISTICK TESTER компании Ferplast. Местный магазин аквариумистики порекомендует вам идеальные значения температуры и жесткости воды, в зависимости от выбранных видов рыб и растений. Советуем периодически повторять измерение этих параметров. Когда вы запустите рыб, положите на дно канистры капсулы BLUSTART, которые продаются вместе с фильтром (1 в BLUEXTREME 700 и 2 в BLUEXTREME 1100 и 1500) (вы можете опустить их в трубку, **Рис. D**).
- Во время работы фильтра каждый день добавляйте небольшую порцию сухого корма: это поможет образованию микрофлоры аквариума.

Подготовка и установка фильтра

- Прикрутите четыре ножки фильтра к дну канистры (**Рис. B/6**).
 - Расположите фильтр BLUEXTREME ниже уровня вашего аквариума (при желании расположите его на стенке аквариума после запуска аквариума). Все тумбы, изготавливаемые компанией Ferplast, разработаны для размещения фильтра и свободного прохождения трубок.
- ВНИМАНИЕ:** Расстояние от основы фильтра до места вхождения труб в аквариум не должно превышать **160 см**.
- Вставьте клапаны в уплотнительный блок; опустите рычаг снятия и проконтролируйте, чтобы регулирующий рычаг находился в **незаблокированном** положении.
 - Снимите крышку канистры фильтра при помощи замков (не забудьте, что сначала должны быть подняты 4 предохранительных кнопки, от красного к зеленому, **Рисунок E**) и проверьте правильное положение фильтрационных веществ; поместите 1 (700) или 2 (1100-1500) капсулы BLUSTART на дно канистры фильтра (вы можете легко сделать это через трубку). Закройте фильтр, заблокировав крышку четырьмя замками и закрыв предохранительные кнопки.
- ВНИМАНИЕ:** за один раз фиксируйте не один замок, а пару замков (один напротив другого). **Убедитесь в правильности сборки и правильном направлении размещения крышки на канистре**, разместив ее таким образом, чтобы обеспечить непрерывность прохождения воды от входа к выходу (**Рисунок F**). Проверьте, чтобы на изоляции крышки не было грязи или посторонних веществ.
- Разместите трубки всасывания и трубки прохождения воды внутри вашего аквариума, убедитесь, что вы прикрепили их присосками с фиксаторами (длинными или короткими, в зависимости от того, какие вам нужны).
 - Разместите трубку водозабора и трубку выхода воды в вашем аквариуме, убедившись в их правильном подсоединении (**Рисунок G**).
- ВНИМАНИЕ:** Аквариумы FERPLAST разработаны с учетом крепления трубок (**Рисунок H**).
- Аквариумы CAYMAN, DUBAI и CAPRI имеют легко съемное крепление на задней стороне крышки.
 - В аквариумах STAR клапаны решеток с тыльной стороны легко снимаются, чтобы закрепить трубки.
 - Рекомендуем поместить блок потока и блок всасывания в противоположных углах с тыльной стороны, во избежание образования прямых водотоков. В действительности, такие водотоки могут снизить эффективность функционирования вашего аквариума.
- ВНИМАНИЕ:** В аквариуме CAYMAN 60 из-за небольшого количества свободной площади, нет возможности использовать патрубки «С» в левом углу аквариума; поэтому мы рекомендуем поместить блок всасывания с правой стороны, а блок потока с левой стороны, напрямую в поток с помощью гибкой трубки.

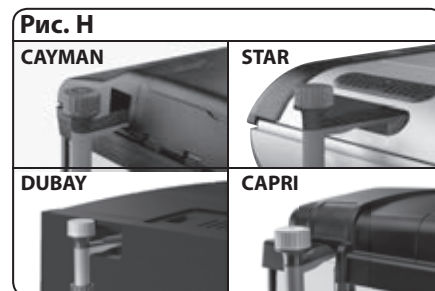
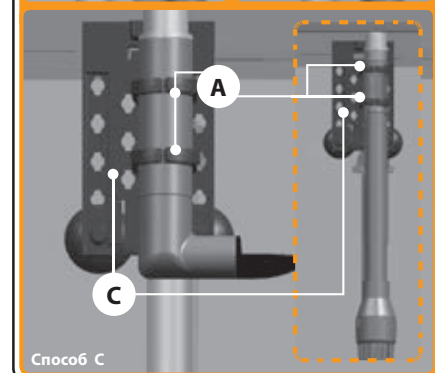
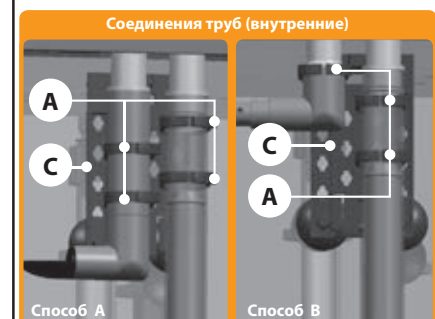
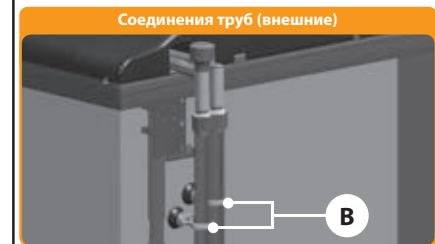
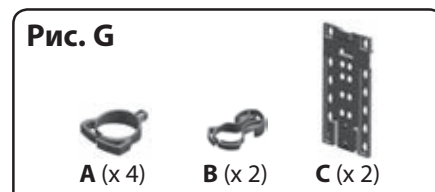
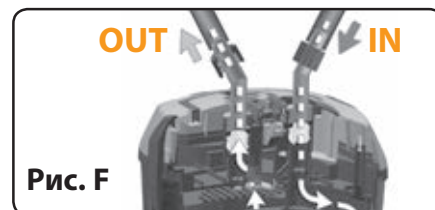
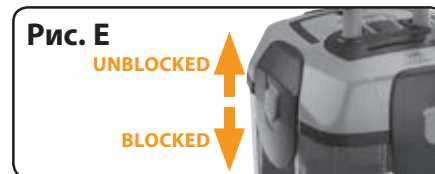
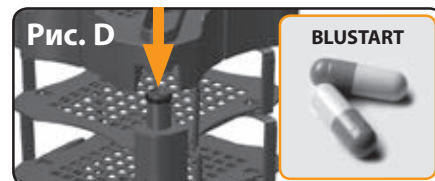
ТРУБКА ВСАСЫВАНИЯ

Прикрепите патрубки «С» с заглушкой (**Рис. C/9**) на аквариум и присоедините полупрозрачный шланг к внутренней стороне аквариума; вставьте регулируемую по высоте трубку (**Рис. C/6**), предварительно прикрепив решетку на дне. Затем отрегулируйте положение решетки аквариума, установив ее на расстоянии 3-4 см от дна.

ТРУБКИ ПОТОКА

Прикрепите патрубки «С» без заглушки (**Рис. C/3**) на аквариум и присоедините патрубков «L» с наконечником или без него (**Рис. C/2**), как вам необходимо. Затем присоедините распылитель (**Рис. C/1**) или вращающуюся на 360° насадку (**Рис. C/5**). Подсоедините гибкие шланги к патрубку фильтра и блоки потока и всасывания (**Рис. F**), следите, чтобы не изменить направление (**IN** из фильтра к блоку всасывания, **OUT** из внешнего фильтра к трубке водотока). После того как вы вставите их в уплотнительный блок, надежно зафиксируйте их при помощи хомутов.

ВНИМАНИЕ: Гибкие шланги должны быть отрезаны чисто и нужной длины; затем подсоедините их, следите, чтобы не было выступов (для улучшения соединения) или перегибов (что может снизить объем прохождения воды).





EN

IT

FR

D

NL

ES

PT

SK

CS

HU

SV

DA

RU

PL

Запуск фильтра (пуск насоса)

- 1 Проверьте, чтобы рычаг открытия клапана находился в закрытом положении
- 2 Откройте заглушку над блоком всасывания и налейте стакан воды (около 150 см³).
- 3 Плотнo закройте заглушку.
- 4 Откройте клапан фильтра при помощи рычага. В таком положении происходит авто запуск системы.
- 5 Включите фильтр, подсоединив его к электрической розетке. Используя рычаг, можно регулировать вход и выход воды.

ВНИМАНИЕ:

После запуска фильтра убедитесь, что он нигде не протекает. После нескольких часов работы снова проверьте правильность работы фильтра и убедитесь еще раз, что он нигде не протекает. Если вода не течет к выпускной трубе, проверьте соединение шлангов и убедитесь, что они не перегнуты и не засорены. Немного встряхнув фильтр, можно выпустить воздух, имеющийся внутри.

Уход и обслуживание

Внимание: всегда выключайте фильтр из розетки перед выполнением любых работ по уходу и обслуживанию.

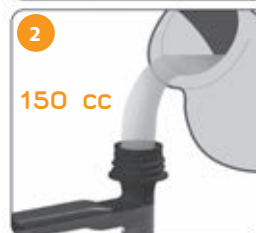
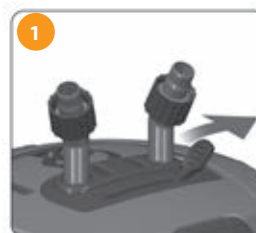
Регулярно ухаживайте за фильтром, по крайней мере, каждые 3-4 недели, а также всякий раз при заметном снижении уровня водотока.

Для ухода:

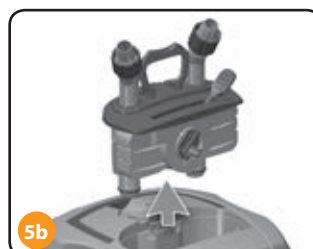
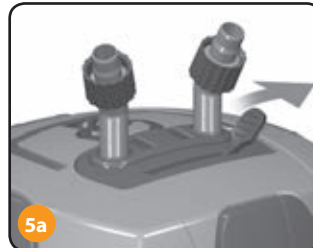
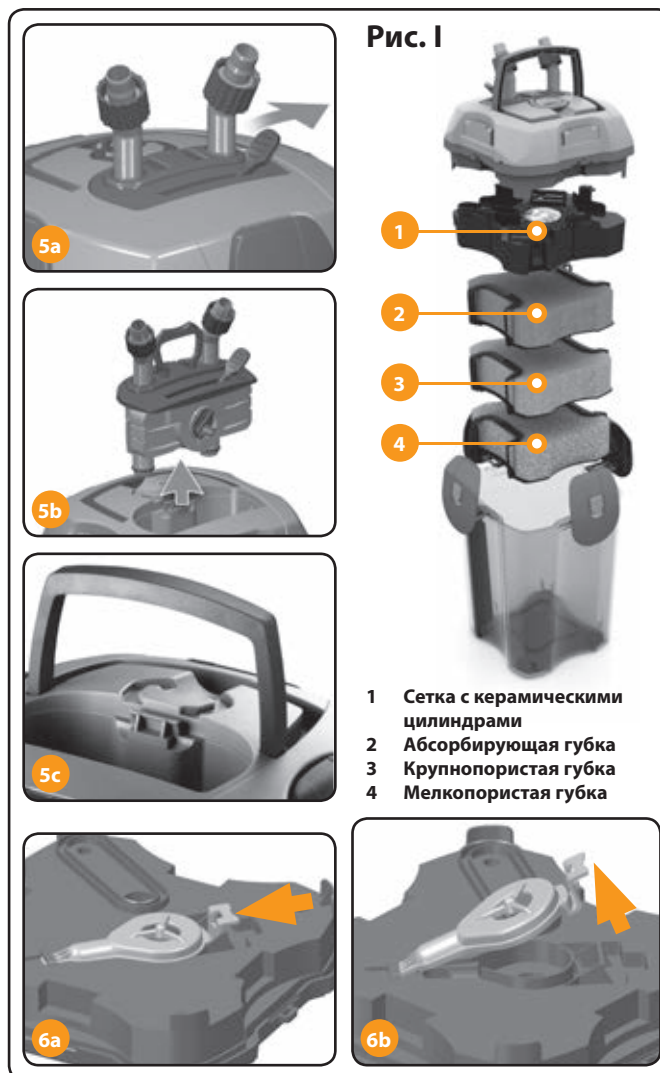
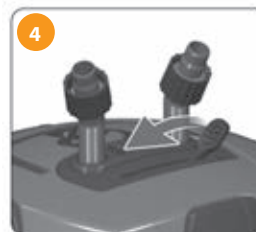
- Закройте клапан при помощи рычага (Рис. 1/5a);
- Отсоедините фильтр от электричества;
- Через несколько секунд выньте блок клапанов при помощи рычага снятия (Рис. 1/5b);
- Перенесите фильтр туда, где вы будете его чистить, держа его за ручку (рис. 1/5c);
- Откройте фильтр, передвинув замки (не забудьте поднять предохранительные кнопки);
- Снимите сетку с керамическими кольцами (**ВНИМАНИЕ: Не мойте биологические фильтрационные вещества, поскольку они могут утратить биологические соединения, поддерживающие жизнеспособность популяций бактерий**);
- Сполосните губки механической и абсорбирующей фильтрации, вынув их из сеток:
 - губки механической фильтрации необходимо менять каждые 6 месяцев; используйте только оригинальные материалы BLUMEC компании Ferplast;
- Эффективность абсорбирующей губки заканчивается через 2-3 недели; поэтому мы рекомендуем заменять ее оригинальной BLUCLEAR или оставить ее в фильтре механической фильтрации; в любом случае менять ее необходимо каждые 6 месяцев;
 - абсорбирующую губку можно также заменять другими веществами, которые включают активированный уголь в гранулах BLUCARBON или неолит BLUZEOLITE компании Ferplast (желательно помещать их в специальном пакете);
 - во время проведения специальной обработки (терапии) необходимо вынимать абсорбирующую губку из фильтра (во избежание снижения ее эффективности). По окончании данного периода, рекомендуем вставить новую губку.
- Очищайте ротор и вал насоса фильтра, по крайней мере, каждые 3-4 месяца;
 - снимите крышку насоса, нажав выступ по направлению к вентилятору и полностью вытащите ее (Рис. 1/6 a-b);
 - снимите ротор и вал и очистите их мягкой щеткой и прохладной водой (ни в коем случае не используйте моющие средства или абразивы);
 - соберите насос в обратном порядке, проверьте, чтобы керамический вал находился на своем месте в гнезде (будьте очень осторожны, обращаясь с ним, поскольку он очень хрупкий);
- Соберите фильтр; будьте внимательны, чтобы вставить фильтрационные вещества в правильном порядке: на дне голубая крупнопористая губка, голубая мелкопористая губка в середине (только для 1100 и 1500), следующая губка с активированным углем, сверху сетка с керамическими кольцами.
- Расположите фильтр возле аквариума и установите клапаны на свое место. Внимание: если на внутренней крышке есть вода, перед установкой крышки в фильтр наклоните ее, стряхнув воду.
- Если вы все сделали правильно, то фильтр запустится после открытия клапанов и подсоединения электричества. В случае если по какой-либо причине, фильтр не запускается, выполните действия, описанные в пункте «Запуск фильтра».

Уход за другими деталями:

- **Уплотнительный блок:** чтобы гарантировать постоянное отличное состояние фильтра, рекомендуем заменять уплотнительный блок, по крайней мере, один раз в год соответствующим комплектом компании Ferplast.
- Периодически очищайте решетку всасывания, проверяя, чтобы она никогда не была заблокирована.
- Регулярно очищайте гибкие шланги, чтобы водоросли или грязь не уменьшали ток воды и не препятствовали ее прохождению.



ПУСК НАСОСА



Запасные детали

Все детали фильтра BLUEXTREME легко заменяются. Запасные детали можно приобрести в магазине, где вы покупали фильтр. Также можно приобрести огромное количество комплектующих компании Ferplast: они постоянно совершенствуются и способны видоизменить ваш аквариум в соответствии с вашими желаниями. При замене любой детали для сохранения максимальной эффективности и надежности, необходимо использовать только оригинальные детали компании Ferplast. Установка не оригинальных деталей делает недействительной гарантию.

Гарантия

Компания Ferplast дает гарантию на фильтр BLUEXTREME, его детали и комплектующие в рамках, предусмотренных этим пунктом и положениями действующего законодательства. Гарантия распространяется только на производственный брак и предполагает их бесплатный ремонт или замену. Гарантия не распространяется на поломки или повреждения, вызванные халатностью, использованием, не предусмотренным инструкциями, изложенными в данном руководстве, несчастными случаями, изменениями, неправильным использованием, неправильным ремонтом и при отсутствии квитанции. Гарантия не распространяется на губки, уплотнительный блок и фильтрационные вещества.

BLUEXTREME 700/1100/1500

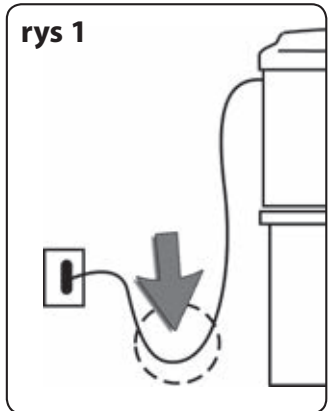
INSTRUKCJA OBSŁUGI

Gratulujemy zakupu filtra kubelkowego BLUEXTREME, który został zaprojektowany tak, aby zapewnić Ci pełną satysfakcję, a rybom prawidłowe warunki bytowe. Filtr BluExtreme jest wyposażony we wszystkie elementy niezbędne do jego prawidłowego funkcjonowania. Urządzenie posiada wszystkie konieczne certyfikaty bezpieczeństwa.

WSTĘP

Przed przystąpieniem do jakichkolwiek czynności związanych z instalacją filtra prosimy uważnie zapoznać się z poniższą instrukcją.

- Upewnij się, że napięcie oznaczone na filtrze jest takie jak w sieci energetycznej
- Upewnij się, że w domu zainstalowane są bezpieczniki nie większe niż 30 mA
- Nie podłączaj filtra do sieci przed zakończeniem instalacji filtra w akwarium (z wodą)
- Filtr przeznaczony jest do stosowania w domu
- Pompa filtra musi być zawsze przynajmniej częściowo zanurzona w wodzie
- Kabel zasilający podłącz tak, aby jego najniższy punkt znajdował się poniżej gniazdka, co zapobiegnie przypadkowemu ściekaniu wody po przewodzie do gniazdka (**rys 1**)
- Uszkodzony przewód elektryczny nie nadaje się do naprawy – należy wymienić całą pompę
- Co jakiś czas sprawdzaj, czy wloty filtra nie uległy zatkanium
- Temperatura wody nie powinna przekraczać 35°C.



OPAKOWANIE

W opakowaniu znajdziesz:
kompletny filtr BluExtreme wraz z pompą i wkładami filtracyjnymi,
2 wężyki z nietoksycznego PCV,
2 (w BluExtreme 700) lub
4 (w BluExtreme 1100 i 1500) kapsułki aktywatora biologicznego BLUSTART,
1 zestaw akcesoriów oraz instrukcję obsługi. Upewnij się, czy filtr jest kompletny i czy żadna z części nie jest uszkodzona (czasami zdarza się to podczas transportu).



PARAMETRY TECHNICZNE FILTRÓW BLUEXTREME

BLUEXTREME	PRZEPŁYW	WYSOKOŚĆ SŁUPA WODY	OBJĘTOŚĆ	OBJĘTOŚĆ FILTRACJI BIOLOGICZNEJ	MOC	OBJĘTOŚĆ AKWARIUM	WYMIARY	ILOŚĆ KOSZYKÓW
model	L/h	m	L	L	W	L	cm	n°
700	700	1,3	5,5	1	12	< 150	22 x 22 - h 34	3
1100	1100	1,5	7	1	16	150 < l < 300	22 x 22 - h 40	4
1500	1500	2,2	11	2,5	32	< 500	26 x 26 - h 46	4

EN

IT

FR

D

NL

ES

PT

SK

CS

HU

SV

DA

RU

PL



EN

IT

FR

D

NL

ES

PT

SK

CS

HU

SV

DA

RU

PL

BLUEXTREME:

Poznaj wszystkie jego zalety

Rączka

Praktyczna rączka do przenoszenia filtra, nawet gdy jest napełniony wodą (**rys. A/1**)

Dźwignia zwalniania grupę zaworów

Łatwa w użyciu dźwignia pozwalająca odłączyć grupę zaworów od pokrywy filtra w trakcie czynności obsługowych (**rys. A/2**)

UWAGA: Grupę zaworów można wyjąć tylko gdy dźwignia jest w pozycji pionowej.

Dźwignia regulacji przepływu (system bezpieczeństwa)

Dźwignia otwierająca/zamykająca zawory oraz regulująca przepływ wody (**rys. A/4**)

Rurki dolotowe z zaciskami

Rurki dolotowe obracające się o 3600 (**rys. A/7**) z zaciskami umożliwiającymi podłączenie do wężyków (**rys. A/3**)

Grupa zaworów

Moduł zawierający zawory, pozwalający odłączyć wężyki od pokrywy filtra w niekłopotliwy sposób (**rys. A/10**).

Klipsy

4 solidne klipsy pozwalające szczelnie połączyć pokrywę filtra z jego komorą (**rys. A/5**). Blokady na klipsach (**rys. A/6**) zapobiegają przypadkowemu otwarciu.

UWAGA: Oznaczenie na blokadzie klipsów: kolor czerwony: klipsy zablokowane, zielony: klipsy odblokowane

Uszczelka główna

Specjalna gumowa (EPDM) uszczelka gwarantująca szczelność filtra (**rys. A/8**)

Uszczelka dolotowa

Specjalna gumowa (EPDM) uszczelka na elemencie doprowadzającym wodę, gwarantująca doprowadzenie wody do dna filtra, zapobiegająca niekontrolowanemu przepływowi wody (**rys. A/9**)

Koszyk na ceramiczny materiał filtracyjny

Łatwy w obsłudze koszyk zawierający materiał ceramiczny. Górne położenie koszyka zapewnia optymalną efektywność filtracji. (**rys. B/1**)

Rurka przelotowa

Rurka doprowadzająca wodę akwarium bezpośrednio do dna filtra. (**rys. B/2**)

Półkoszyki na materiał filtracyjny

Koszyki zawierające gąbki różnej porowatości, łatwo dające się zaadoptować do innych typów materiałów filtracyjnych (**rys. B/3**). Regulowane rączki koszyków zapewniają dokładne przyleganie gąbek do ścianek filtra, zapobiegając tym samym przepływowi wody z pominięciem gąbek (**rys. B/4**). Wkłady gąbkowe mogą być zastąpione wełną syntetyczną BLUFIBRE (filtracja mechaniczna), granulowanym węglem aktywowanym BLUCARBON, żwirkiem amonowym BLUZEOLITE (filtracja absorpcyjna) lub innym wybranym materiałem (nie blokującym przepływu wody!).

Syfon

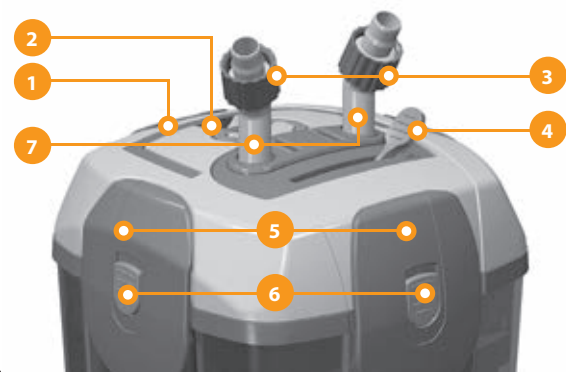
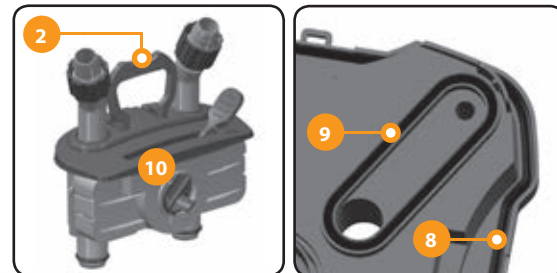
Specjalna rurka zasysająca wodę z akwarium z regulacją długości (**rys. C/6**). Syfon posiada osłonę uniemożliwiającą wessanie ryb do filtra (**rys. C/7**) oraz nakrętkę służącą do uruchomienia filtra (**rys. C/8**). Zaciski umożliwiają szczelne podłączenie wężyków.

Wężyki

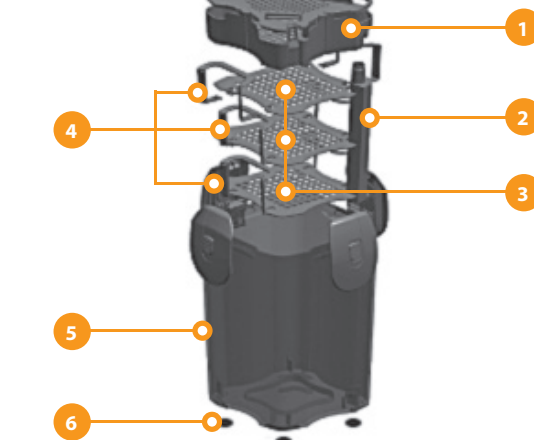
Wężyki wykonane z elastycznego PCV o średnicy 15/21 mm wstępnie docięte na długość 1,5 lub 2 m.

rys A

- 1 Rączka filtra
- 2 Dźwignia zwalniania grupę zaworów
- 3 Zaciski
- 4 Dźwignia regulacji przepływu
- 5 Klipsy
- 6 blokada klipsów
- 7 Rurki dolotowe z zaciskami
- 8 Uszczelka główna
- 9 Uszczelka komory
- 10 Grupa zaworów



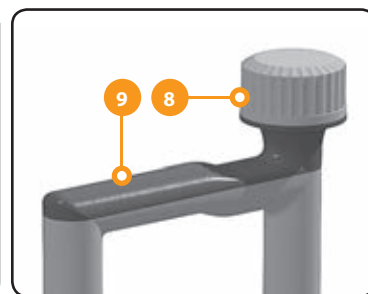
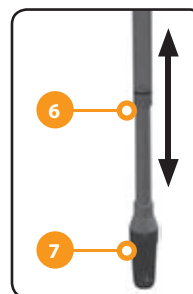
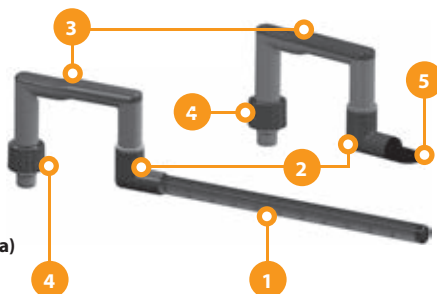
rys B



- 1 koszyk na materiał ceramiczny z pokrywą
- 2 Rurka przelotowa do dna zbiornika
- 3 Koszyki na gąbki
- 4 regulowane rączki koszyków
- 5 Kubełek
- 6 Nóżki

rys C

- 1 Deszczownica
- 2 Złączki L
- 3 Rurka podłączeniowa bez nakrętki
- 4 Zaciski
- 5 Dysza obrotowa
- 6 Przedłużenie syfonu
- 7 Syfon
- 8 nakrętka (do uruchamiania filtra)
- 9 Złączka z nakrętką



ZAKŁADANIE AKWARIUM

- Urządź akwarium zgodnie z zaleceniami zaufanego sprzedawcy lub zgodnie z instrukcją obsługi akwarium.
- W każdym przypadku zalecamy zastosowanie.
- Napełnij zbiornik wodą (zalecamy użycie 50% wody z kranu i 50% wody zdeminiaralizowanej, choć proporcje te mogą zależeć od typu wody kranowej w Twoim regionie).
- Ustaw na grzałce temperaturę stosownie do typu ryb, które chcesz hodować (dla ryb tropikalnych jest to przeważnie 25-26°C).

Zainstaluj filtr kubełkowy BLUEXTREME zgodnie z poniższymi instrukcjami (włącznie z zastosowaniem kapsułek BLUSTART)

- Odczekaj 24 godziny (aby temperatura wody i parametry chemiczne wody się ustabilizowały) i zasadź rośliny
- Przed wpuszczeniem ryb powinieneś odczekać 10-12 dni, aż filtr będzie aktywny. Sugerujemy dokonywanie pomiarów parametrów wody przy użyciu testera paskowego MULTISTICK TESTER. Twój zaufany sprzedawca pomoże Ci dobrać wartość parametrów do typu wybranych przez Ciebie ryb. Zalecamy systematyczne dokonywanie pomiarów. Po wpuszczeniu ryb zastosuj kapsułki BLUSTART (1 w filtrze BluExtreme 700, lub 2 w filtrach Bluextreme 1100 i 1500) umieszczając ją na dnie filtra (możesz ją po prostu wrzucić do rurki przelotowej **(rys. D)**).
- Wsyj do filtra niewielką ilość suchego pokarmu, który przyspieszy rozwój flory bakteryjnej

Przygotowanie i instalacja filtra

- Przyklej gumowane nóżki do spodu filtra **(rys. B/6)**
- Umieść filtr pod akwarium (jeśli chcesz, po uruchomieniu filtra będziesz mógł postawić go obok akwarium). Wszystkie stoliki Ferplast są przystosowane do umieszczenia w ich wnętrzu filtra i przeprowadzenia przyłączy.
- **UWAGA:** różnica poziomów od dna filtra do miejsca zasysania wody w akwarium nie powinna przekraczać 160 cm.
- Włóż grupę zaworów do gniazda' opuść dźwignię zwalniającą i upewnij się, że dźwignia regulacji przepływu jest w pozycji zamkniętej (RELEASE).
- Zdejmij pokrywę filtra odpinając 4 klipsy (pamiętaj, że zabezpieczenia muszą być odblokowane (położenie górne), o czym informuje zielone pole na klipsie **(rys. E)** i sprawdź prawidłowość ułożenia materiałów filtracyjnych. Wrzuć kapsułki BLUSTART (1 w filtrze BluExtreme 700, lub 2 w filtrach Bluextreme 1100 i 1500) do rurki przelotowej **(rys. D)**. Załóż pokrywę filtra, zatrzasknij klipsy i zamknij zabezpieczenia.
- **UWAGA:** Zatrzasnij równocześnie dwa przeciwległe klipsy (nie rób tego pojedynczo). Przed zamknięciem filtra upewnij się, że pokrywa filtra została nałożona w prawidłowej pozycji (uszczelka dolotowa nad rurką przelotową). Upewnij się, że na uszczelkach nie ma żadnych zanieczyszczeń i ciał obcych.
- Zamocuj na akwarium syfon oraz odpływ, stosując do tego klipsy z przysawkami (pługie lub krótkie wg. konieczności).
- Zamontuj rurki wylotowe i dolotowe w akwarium. Upewnij się, że są solidnie połączone przy użyciu odpowiednich elementów. **(rys. G)**.
- **UWAGA:** Akwaria FERPLAST są przystosowane do ich instalacji **(rys. H)**.
 - w akwariach CAYMAN, DUBAI i CAPRI tylna część pokrywy posiada oznaczone miejsca w których należy wyciąć otwór
 - w akwariach STAR tylne kratki wentylacyjne można łatwo wyjąć
- Zalecamy umieszczenie syfonu i odpływu w tylnych przeciwległych rogach akwarium, co umożliwi prawidłową filtrację wody w całym akwarium
- **UWAGA:** W akwariach Cayman 60, ze względu na brak miejsca zalecamy umieszczenie syfonu po prawej stronie a odpływu po lewej bez użycia rurki „ kształtka C”

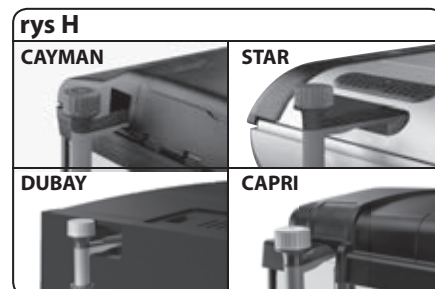
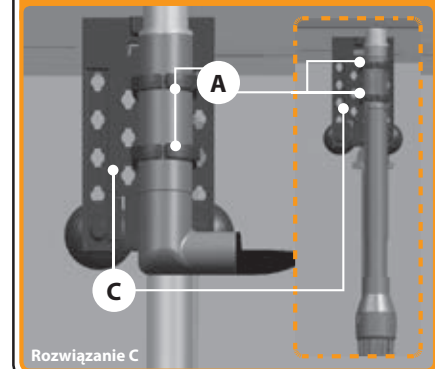
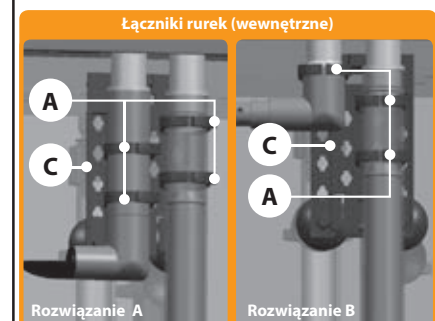
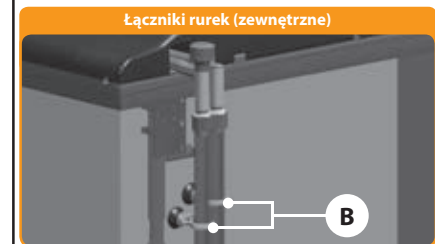
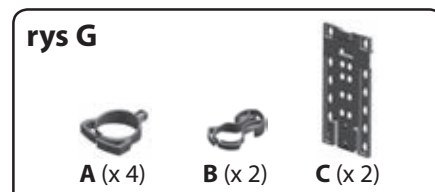
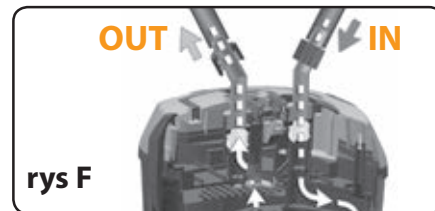
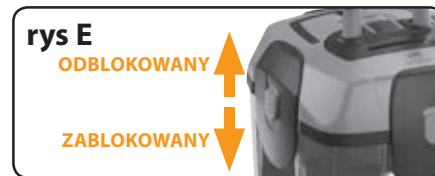
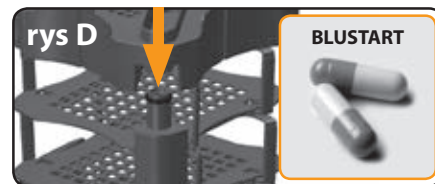
SYFON

Umieść rurkę /kształtkę C/ z nakrętką na akwarium **(rys C/9)** i podłącz do niej półprzezroczystą rurkę od wewnętrznej strony akwarium a następnie przyczep do niej rurkę regulującą długość syfonu **(rys C/6)** z zainstalowaną osłoną. Wyreguluj długość syfonu tak, aby znajdował się 3-4 cm nad powierzchnią dna akwarium.

ODPŁYW

Umieść rurkę /kształtkę C/ bez nakrętki na akwarium **(rys C/3)** i podłącz do niej kolanko z lub bez przedłużki **(rys C/2)**. Następnie podłącz deszczownicę **(rys C/1)** lub obrotową dyszę kierunkową **(rys C/5)**. Podłącz wężyki do rurek dolotowych w filtrze **(rys. F)**, zwracając uwagę na oznaczenia kierunku przepływu (IN podłączyć do syfonu zasysającego wodę z akwarium; OUT podłączyć do odpływu). Po nałożeniu wężyków na rurki zamocuj je odkręcając nakrętki zaciskowe.

UWAGA: Wężyki powinny zostać docięte do odpowiedniej długości tak, aby wężyki nie skręcały się, aby nie powstawały na nich załamania ani niepotrzebne zagięcia.





EN

IT

FR

D

NL

ES

PT

SK

CS

HU

SV

DA

RU

PL

URUCHOMIENIE FILTRA (Autostart)

1. Upewnij się, że dźwignia regulacji przepływu jest w pozycji zamkniętej
2. Odkręć nakrętkę znajdującą się na syfonie i wlej szklankę wody (ok. 150 ml)
3. Zakręć dokładnie nakrętkę
4. Otwórz zawory filtra (przesuń dźwignię regulacji przepływu). Nastąpi auto-start filtra.
5. Podłącz filtr do prądu. Przesuwając dźwignię regulacji możesz zwiększać lub zmniejszać szybkość przepływu wody.

UWAGA:

Po uruchomieniu filtra upewnij się, że w całym obiegu nie ma przecieków. Po kilku godzinach pracy upewnij się, że filtr pracuje prawidłowo i powtórz kontrolę całego obiegu na wypadek przecieków. Jeśli ilość wody wypływającej z wylotu jest niedostateczna, upewnij się, że żaden z wężyków nie jest zagięty ani zatkany. Lekko wstrząsając filtrem można usunąć z niego resztki powietrza.

KONSERWACJA

Przed przystąpieniem do czynności konserwacyjnych wyłącz filtr z gniazdka. Filtr powinien być regularnie czyszczony co 3-4 tygodnie i każdorazowo gdy spada przepływ wody.

Przystępując do czynności konserwacyjnych, należy:

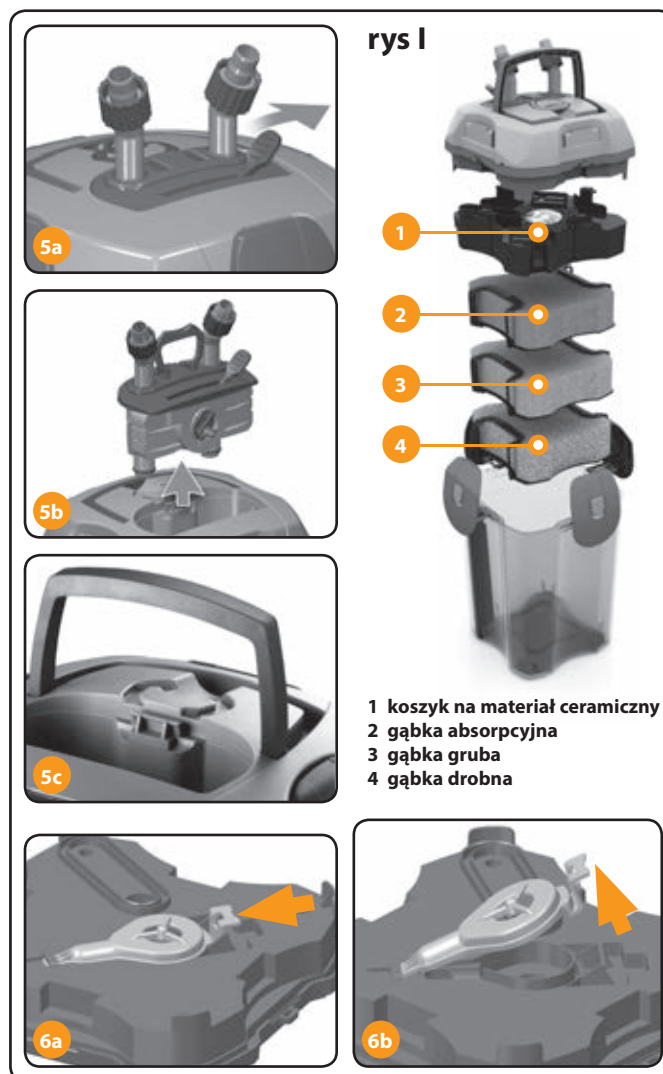
- zamknąć zawory
 - odłączyć filtr od zasilania
 - po odczekaniu chwili odłączyć grupę zaworów od filtra
 - przenieść filtr do miejsca, gdzie odbywać się będzie czyszczenie
 - otworzyć filtr odpinając klipsy (pamiętaj o odblokowaniu zabezpieczeń)
 - wyjąć koszyk z wkładem ceramicznym (UWAGA: nie ma potrzeby mycia wkładu biologicznego, gdyż mogłoby to zagrazić florze bakteryjnej)
 - wyplukać gąbki po uprzednim wyjęciu ich z półkoszków
 - gąbki filtracji mechanicznej powinny być wymieniane co 6 miesięcy – stosuj zawsze oryginalne gąbki Ferplast BLUMEC
 - Działanie absorpcyjne gąbki węglowej zanika po ok. 2-3 tygodniach. Po tym czasie zalecamy jej wymianę na gąbkę BLUCLEAR lub pozostawienie jej jako zwykłej gąbki filtrującej mechanicznie. W każdym wypadku zalecamy wymianę gąbki co 6 miesięcy
 - Gąbka węglowa BLUCLEAR może też zostać zastąpiona innym typem materiału filtracyjnego, np.: węglem aktywnym BLUCARBON lub żwirkiem BLUZEOLITE (zalecamy stosowanie oryginalnych wkładów Ferplast w specjalnych torebkach)
 - Podczas stosowania preparatów leczniczych konieczne jest wyjęcie z filtra gąbki węglowej. Jej pozostawienie mogłoby zniwelować działanie preparatu. Po zakończeniu leczenia zalecamy zastosowanie nowej gąbki BLUCLEAR
 - Wyjąć wirnik i trzpień wirnika pompy – powinny być czyszczone co 3-4 miesiące
 - Zdejmij pokrywę wirnika (**rys. 6a-b**)
 - Wyjmij i wyczyść wirnik i trzpień stosując miękką szczoteczkę (bez użycia detergentów)
 - Złóż pompę, zwracając uwagę na prawidłowe umiejscowienie wirnika i trzpienia – sprawdź czy elementy weszły prawidłowo do gniazda. Postępuj ostrożnie, gdyż elementy te są bardzo delikatne
 - Złóż filtr zwracając uwagę na prawidłowe ułożenie wkładów filtracyjnych, kolejno od dołu: niebieska gąbka z dużymi porami, niebieska gąbka z drobnymi porami (tylko BluExtreme 1100 i 1500), czarna gąbka węglowa, koszyk z wkładem ceramicznym
- Postaw filtr obok akwarium i podłącz grupę zaworów. Jeśli na gnieździe grupy zaworów są resztki wody usuń ją, potrząsając lekko filtrem, aż spłynie do wnętrza filtra. Jeśli wykonałeś całą procedurę prawidłowo, otwarcie zaworów i włączenie wtyczki do gniazdka uruchomi filtr. Jeśli z jakichś względów filtr nie wystartował, postępuj zgodnie z procedurą „URUCHOMIENIE FILTRA (Autostart)”.

Inne czynności obsługowe:

- Uszczelka: dla zachowania doskonałej szczelności filtra zalecamy wymianę uszczelki raz do roku (przy użyciu zestawu naprawczego Ferplast Kit)
- Co jakiś czas zalecamy sprawdzanie, czy syfon zasysający wodę nie jest zablokowany zanieczyszczeniami
- Regularne czyszczenie wężyków, aby ewentualny wzrost alg w ich wnętrzu nie zablokował przepływu wody



SELF-PRIMING SYSTEM

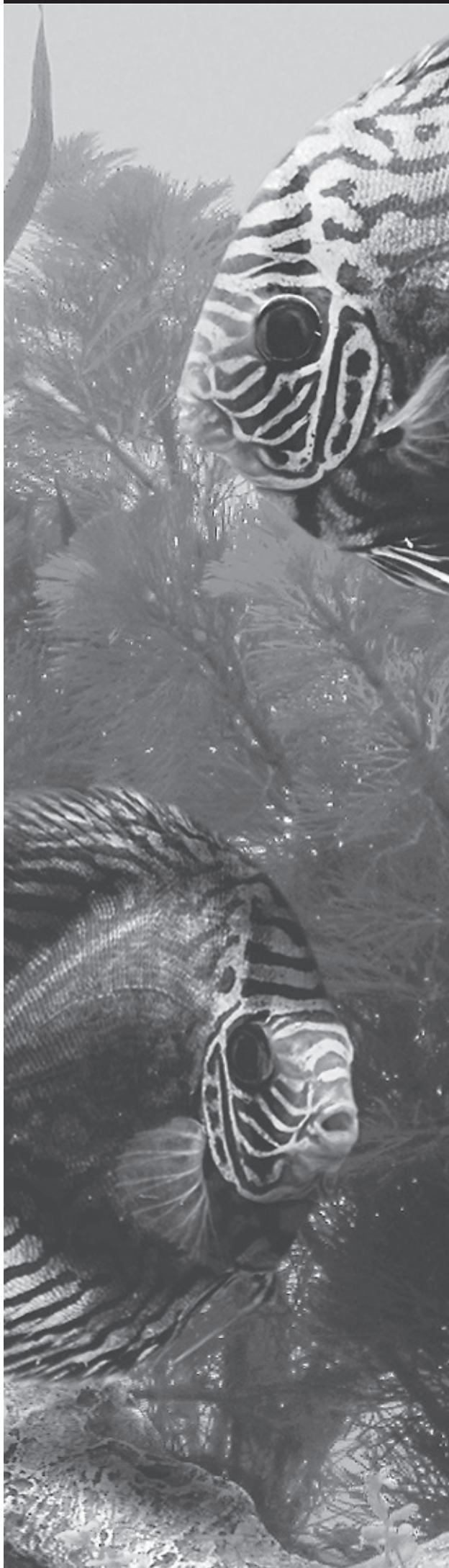


CZĘŚCI ZAMIENNE I AKCESORIA

Części zamienne do filtra BluExtreme możesz zamówić w sklepie, gdzie nabyłeś urządzenie. Tam możesz również nabyć wiele przydatnych akcesoriów akwarystycznych Ferplast. Asortyment akcesoriów jest nieustannie rozszerzany. Stosowanie tylko oryginalnych części zamiennych i akcesoriów zapewni prawidłowe i bezpieczne funkcjonowanie produktów Ferplast. Stosowanie nieoryginalnych części zamiennych powoduje utratę gwarancji.

GWARANCJA

Ferplast udziela gwarancji na filtr BluExtreme z ograniczeniami podanymi w niniejszej klauzuli i zgodnie z aktualnie obowiązującym prawem. Gwarancja obejmuje wyłącznie wady powstałe w procesie produkcji i obejmuje bezpłatną naprawę lub wymianę. Gwarancja nie obejmuje uszkodzeń powstałych w wyniku: niedbałości bądź nieuwagi użytkownika, użytkownika niezgodnie z przeznaczeniem lub niezgodnie z uwagami zamieszczonymi w niniejszej instrukcji, wypadku, manipulowania przy urządzeniu oraz nieprawidłowej naprawy. Gwarancja nie obejmuje gąbek, uszczelki, wkładów filtracyjnych. Gwarancja jest ważna wyłącznie z dołączonym rachunkiem sprzedaży.



IMPORTANT

Within the European Union, a crossed-out wheelie bin symbol on the product, documentation or packaging indicates that the product cannot be disposed of in the regular household waste stream, in compliance with EU Directive 2012/19/EC and with current local regulations. The product must be disposed of at recycling centres or authorised waste disposal centres for electrical and electronic equipment, in accordance with current legislation in the country where the product is found. Incorrect disposal of this type of waste can have a negative impact on the environment and human health, caused by the potentially hazardous substances produced by electrical and electronic equipment. Correct disposal of these products will also contribute to the efficient use of natural resources. Further information is available from the product retailer, the competent local authorities and national manufacturer's organisations.

IMPORTANTE

All'interno dell'Unione Europea la presenza di un contenitore su ruote barrato sul prodotto, sulla documentazione o sulla confezione, indica che il prodotto non può essere eliminato come rifiuto urbano misto in conformità alla Direttiva UE(2012/19/EC) e alla normativa locale vigente. Il prodotto deve essere smaltito presso i centri di raccolta differenziata, o un deposito autorizzato allo smaltimento dei rifiuti derivanti dal disuso delle apparecchiature elettriche ed elettroniche in conformità alle leggi vigenti nel Paese in cui il prodotto si trova. La gestione impropria di questo tipo di rifiuti può avere un impatto negativo sull'ambiente e sulla salute umana causato dalle sostanze potenzialmente pericolose prodotte dalle apparecchiature elettriche ed elettroniche. Un corretto smaltimento di tali prodotti contribuirà inoltre ad un uso efficace delle risorse naturali. Ulteriori informazioni sono disponibili presso il rivenditore del prodotto, le locali autorità competenti, le organizzazioni nazionali dei produttori.

IMPORTANT

Dans l'Union européenne la présence d'un conteneur sur roues barré sur le produit, sur la documentation ou sur l'emballage, indique que le produit ne peut pas être éliminé comme un déchet urbain mixte en conformité avec la Directive UE (2012/19/EC) et la norme locale en vigueur. Le produit doit être éliminé dans les centres de collecte différenciée, ou un dépôt autorisé à éliminer les déchets dérivant de la désuétude des appareils électriques et électroniques en conformité avec les lois en vigueur dans le Pays dans lequel se trouve le produit. La mauvaise gestion de ce type de déchets peut avoir un impact négatif sur l'environnement et sur la santé humaine, causé par les substances potentiellement dangereuses produites par les appareils électriques et électroniques. De plus, une élimination correcte de ces produits contribuera à une utilisation efficace des ressources naturelles. Des informations supplémentaires sont disponibles auprès du revendeur du produit, des autorités locales compétentes et des organisations nationales des producteurs.

WICHTIG!

Innerhalb der Europäischen Gemeinschaft bedeutet die durchgestrichene Abfalltonne auf Rädern auf dem Produkt, den Hinweisen oder der Verpackung, dass dieses Produkt nicht wie allgemeiner Haushaltsmüll behandelt werden darf, entsprechend der in der Europäischen Gemeinschaft gültigen Richtlinie (2012/19/EC) und den am Verwendungsort geltenden Vorschriften. Das Produkt muss in Mülltrennungsunternehmen entsorgt werden oder an einer autorisierten Sammelstelle für die Wiederaufbereitung von Elektro- und Elektronik-Altgeräten, in Erfüllung der gesetzlichen Vorschriften des Landes in dem das Produkt verwendet wird. Der unsachgemäße Umgang mit derartigen Abfallprodukten kann aufgrund potentiell gefährlicher Stoffe, die häufig in Elektro- und Elektronik-Altgeräte enthalten sind, negative Auswirkungen auf die Umwelt und die menschliche Gesundheit haben. Durch die sachgemäße Entsorgung dieser Produkte tragen Sie außerdem zu einer effektiven Nutzung natürlicher Ressourcen bei. Weitere Informationen erhalten Sie bei dem Händler des Produktes, den betreffenden öffentlichen Ämtern, den nationalen Organisationen der Hersteller.



BELANGRIJK

Binnen de Europese Unie betekent het symbool van de doorgekruiste vuilniston dat, conform de Europese richtlijn EU (2012/19/EG) en de toepasselijke nationale wetgeving, het product aan het einde van de nuttige cyclus niet bij het huisvuil mag worden gestopt. Het product dient conform de wetgeving van het land van gebruik te worden ingeleverd bij erkende afvalverwerkingsbedrijven of bij bedrijven die elektrisch en elektronisch afval inzamelen en verwerken. De illegale verwijdering van dit type afval is schadelijk voor de gezondheid en het milieu wegens de mogelijk gevaarlijke stoffen die door elektrisch en elektronisch apparaat wordt gevormd. Een correcte verwijdering van deze producten draagt tevens bij aan een efficiënt gebruik van de natuurlijke bronnen. Overige informatie is verkrijgbaar bij de verkoper van het product, de competente plaatselijke autoriteiten en de nationale producentorganisaties.

IMPORTANTE

En la Unión Europea la presencia de un contenedor sobre ruedas barrado en el producto, en la documentación o en la confección, indica que el producto no puede ser eliminado como residuo urbano mixto conforme a la Directiva UE (2012/19/EC) y a la normativa local vigente. El producto debe ser eliminado en los centros de recogida selectiva, o en un depósito autorizado para la eliminación de los residuos que derivan del desuso de los equipos eléctricos y electrónicos conforme a las leyes vigentes en el País en el que se encuentra el producto. La gestión inadecuada de este tipo de residuos puede tener impacto negativo en el ambiente y en la salud humana causado por las sustancias potencialmente peligrosas producidas por los equipos eléctricos y electrónicos. Una eliminación correcta de dichos productos contribuirá a un uso eficaz de los recursos naturales. Para mayores informaciones contacte con el vendedor del producto, con las autoridades locales competentes o con las organizaciones nacionales de los fabricantes.

IMPORTANTE.

Dentro da União Europeia, a presença de um contentor de rodas barrado: no produto, na documentação ou embalagem, indica que o produto não pode ser eliminado como residuo urbano misto em conformidade com a Directiva UE (2012/19/EC) e com a normativa local vigente. O produto deve ser eliminado nos centros de recolha selectiva ou num depósito autorizado para a eliminação dos resíduos derivantes do fim de utilização dos equipamentos eléctricos e electrónicos em conformidade com as leis vigentes no país em que o produto se encontra. A gestão imprópria deste tipo de resíduos pode ter um impacto negativo no ambiente e na saúde humana provocado pelas substâncias potencialmente perigosas produzidas pelos equipamentos eléctricos e electrónicos. Uma eliminação correcta destes produtos contribuirá ainda para um uso eficaz dos recursos naturais. Poderá obter mais informações junto do revendedor do produto, das autoridades locais competentes e das organizações nacionais dos produtores.

DŮLEŽITÉ

V rámci Európskej únie, symbol vyznačený preškrtnutého smetného koša s kolesami na výrobku, v dokumentácii alebo na obale označuje, že výrobok nesmie byť likvidovaný s bežným komunálnym odpadom v domácnosti, v súlade so smernicou EÚ 2012/19/EC a s platnými miestnymi nariadeniami. Výrobok musí byť zlikvidovaný v recyklačných strediskách alebo oprávnených strediskách pre likvidáciu odpadu elektrických a elektronických zariadení, v súlade s právnymi predpismi platnými v krajine, kde výrobok sa nachádza. Nesprávna likvidácia tohto druhu výrobku môže mať negatívny vplyv na životné prostredie a ľudské zdravie, zapríčinené možnými nebezpečnými látkami, vyvolenými elektrickým zariadením. Správna likvidácia takýchto výrobkov taktiež prispieje k účinnému použitiu prírodných zdrojov. Ďalšie informácie sú k dispozícii u predajcu výrobku, príslušných miestnych orgánov a národných výrobných organizáciách.

DŮLEŽITÉ

V rámci Evropské unie, přeškrtnutý symbol smetného koše na výrobku, v dokumentaci nebo na obalu znamená, že produkt nesmí být likvidován s běžným komunálním odpadem, v souladu se směrnicí EU 2012/19/EC a platných místních předpisů. Výrobek musí být zlikvidován v recyklačních centrech nebo autorizovaných středisek pro likvidaci odpadu elektrických a elektronických zařízení, v souladu s právními předpisy platnými v zemi, kde se nachází produkt. Nesprávná likvidaci tohoto druhu odpadu může mít negativní dopad na životní prostředí a lidské zdraví, způsobené potenciálně nebezpečných látek, které produkují elektrický a elektronické zařízení. Správná likvidace těchto výrobků bude rovněž přispívat k efektivnímu využívání přírodních zdrojů. Další informace jsou k dispozici u prodejce výrobku, příslušných místních orgánů a organizací národní výrobce.

FONTOS

Az Európai Unió belül, egy áthúzott kerek személtáda szimbóluma a termékén, a dokumentáción vagy a csomagoláson azt jelzi, hogy a terméket nem szabad a szokásos háztartási hulladék közé dobni az uniós irányelv 2012/19/EC és az aktuális helyi előírások szerint. A terméket az elektromos és elektronikus berendezések újrahasznosító központjaiban, illetve a meghatalmazott hulladéklerakó központokban kell megsemmisíteni, a hatályos jogszabályok szerint, azokban az országokban, ahol a termék megtalálható. Az ilyen típusú termékek helytelen megsemmisítése negatív hatással bír a környezetre és az emberi egészségre, amelyet az elektromos és elektronikus berendezések lehetséges mérgező anyagai okozhatnak. Ezen termékek megfelelő megsemmisítésével hozzájárulhat a természeti erőforrások hatékony felhasználásához. További információt a termékről a kiskereskedőknél, az illetékes helyi hatóságoknál, illetve a nemzeti gyártó szervezeteknél kaphat.

VIKTIGT

I Europeiska union anger en överkryssad soptunnesymbol på produkten, dokumentation eller förpackning att produkten ej kan slängas i det vanliga hushållsavfallet, i enlighet med EU-direktiv 2012/19/EC och gällande lokala regleringar. Produkten måste slängas på återvinningsstationer eller godkända sopstationer för elektrisk och elektronisk utrustning, i enlighet med gällande lagstiftning i landet där produkten finns. Felaktig hantering av denna typ av avfall kan ha negativ inverkan på miljön och mänsklig hälsa, försorsakade av potentiellt farliga substanser från elektrisk och elektronisk utrustning. Korrekt hantering av dessa produkter kommer att bidra till effektiv användning av naturresurser. Vidare information finns tillgänglig från produktåterförsäljaren, behöriga lokala myndigheter och nationella tillverkarorganisationer.

VIGTIGT

I Den Europæiske Union betyder symbolet med en overstreget skraldespand med hjul på et produkt, en dokumentation eller en emballage, at produktet ikke må smides væk sammen med det almindelige husholdningsaffald for at overholde EU direktivet 2012/19/EF og de nuværende lokale regler. Produktet skal bortskaffes på genbrugscentre eller godkendte genbrugspladser for elektrisk og elektronisk udstyr i overensstemmelse med den aktuelle lovgivning i det land, hvor produktet befinder sig. Ukorrekt bortskaffelse af denne type affald kan have en negativ indvirkning på miljøet og menneskers sundhed på grund af de potentielt farlige stoffer i elektriske og elektronisk udstyr. Korrekt bortskaffelse af disse produkter bidrager også til en effektiv udnyttelse af naturens ressourcer. Yderligere oplysninger kan fås hos produktets forhandler, de lokale myndigheder og hos nationale producentorganisationer.

ВАЖНО!

В пределах Европейского Союза наличие перечеркнутого мусорного контейнера на колесах на продукции, документации или на упаковке, указывает на запрет утилизации вышеуказанного вместе со смешанными бытовыми отходами, в соответствии с Директивой ЕС (2012/19/EC) и действующего национального законодательства. Продукция должна утилизироваться в сборных пунктах дифференцированных отходов или в авторизованных местах складирования и утилизации отходов электрического и электронного оборудования, в соответствии с действующим законодательством Страны нахождения продукции. Неправильное обращение с отходами подобного типа может вызвать негативное влияние на окружающую среду и здоровье человека из-за потенциально опасных материалов, вырабатываемых электрическим и электронным оборудованием. Кроме того, правильная утилизация подобных материалов способствует эффективному использованию природных ресурсов. Дополнительную информацию можно получить у поставщика продукции, в местных компетентных органах и национальных организациях производителей.

WAŻNE

To urządzenie jest oznaczone zgodnie z Dyrektywą Europejską 2012/19/EC oraz polską Ustawą o zużyciu sprzęcie elektrycznym i elektronicznym symbolem przekreślonego kontenera na odpady. Takie oznakowanie informuje, że sprzętem, po okresie jego użytkowania nie może być umieszczony łącznie z innymi odpadami pochodzącymi z gospodarstwa domowego. Użytkownik jest zobowiązany do oddania go prowadzącym zbieranie zużytego sprzętu elektrycznego i elektronicznego. Prowadzący zbieranie, w tym lokalne punkty zbiórki, sklepy oraz gminne jednostki, tworzą odpowiedni system umożliwiający oddanie tego sprzętu. Właściwe postępowanie ze zużytym sprzętem elektrycznym i elektronicznym przyczynia się do uniknięcia szkodliwych dla zdrowia ludzi i środowiska naturalnego konsekwencji, wynikających z obecności składników niebezpiecznych oraz niewłaściwego składowania i przetwarzania takiego sprzętu. Więcej informacji można uzyskać u sprzedawcy, właściwych władz lokalnych lub organizacji odzysku sprzętu elektrycznego i elektronicznego.



ferplast
www.ferplast.com