



MX430 Air RGB

Compact ARGB Mid Tower Case with Modern Patterned Air Vents

We've made COUGAR PC cases even better. The new patterned air vents and the LED strips create a special outlook for your amazing build. Three gorgeous ARGB fans, mighty support for up to a 280mm radiator, a 320mm graphic card, and a 175mm CPU cooler deliver superior value for you.



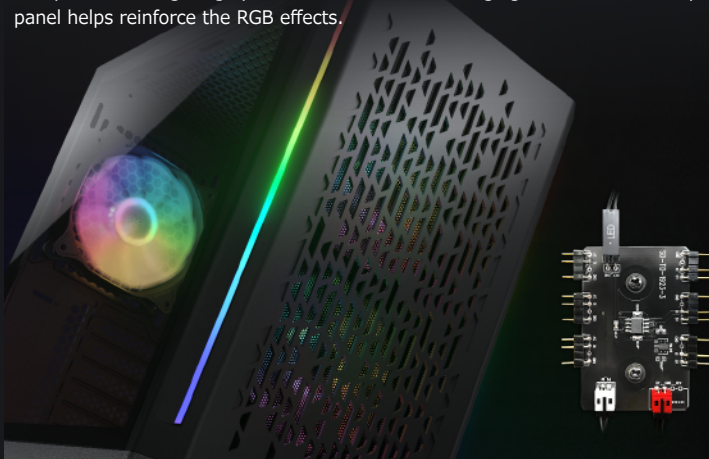
Patterned Air Vents Design

MX430 Air RGB's front panel features patterned air vents design. It is the chassis that integrates the new concept of minimalist aesthetic and cooling performance. The hollow areas also allow internal lighting to create mesmerizing light effects.



Incredible RGB Lighting

MX430 Air RGB comes with 3 ARGB fans and 2 LED strips. You are freely to control several amazing lighting effects with the dedicated RGB button. The built-in LED controller also adaptable with any compatible motherboards' 5V ARGB connection for system-wide lighting synchronization. The stunning light come out of a stylish panel helps reinforce the RGB effects.



Great Support for Components

Its advanced support for up to 320mm-long graphics cards, which allows you to enjoy the latest games with smooth framerates.



Clean and Tidy Looks

The PSU cover extends the color from the front panel. Unlike most massive tempered glass panels, it presents a distinctive view of divided design. The full-length PSU cover also allows you to hide the cables, improve the internal airflow, and showcase a clean build!



Abundant for Multiple USB Devices

The top panel is equipped with two USB 3.0 ports and a USB 2.0 port, let you easily connect multiple peripheral devices and accessory charging. Not only optimize your processing experiences, but also keep all USB devices without limitations.





MX430 Air RGB

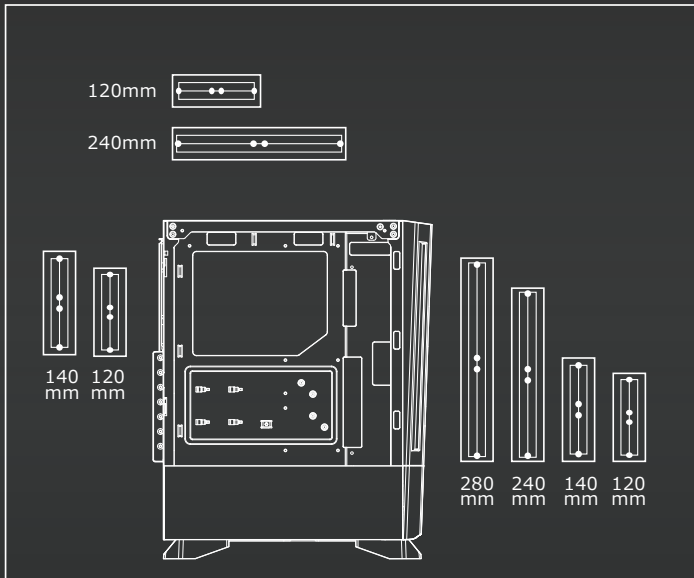
Compact ARGB Mid Tower Case with Modern Patterned Air Vents



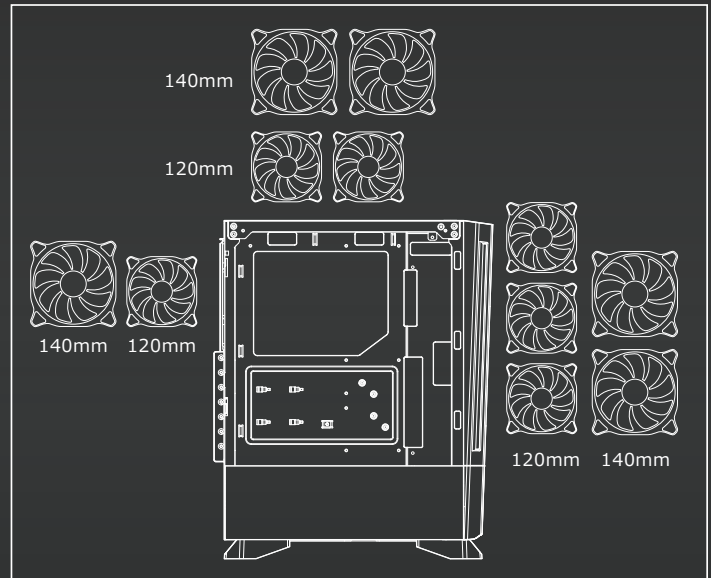
Top-notch Cooling

MX430 Air RGB's compact layout allows you to install six fans, a 280mm water cooling radiator, and a 175mm CPU cooler. This immense cooling potential will enable you to choose components freely.

Water cooling radiator support



Air cooling support



SPECIFICATIONS

Model No.(Black / White)	CGR-51C6B-AIR-RGB /CGR-51C6W-AIR-RGB	Water Cooling Support	Front : 280mm / 240mm / 140mm / 120mm Top : 240mm / 120mm Rear : 120mm / 140mm
Case Type	Mid Tower	Cooling Fan Support	Front : 120mm x 3 / 140mm x 2 (120mm ARGB fan x 2 pre-installed) Top : 120mm x 2 / 140mm x 2 Rear : 120mm x 1 / 140mm x1 (120mm ARGB fan x 1 pre-installed)
Motherboard Type	Mini ITX / Micro ATX / ATX	Maximum Number of Fans	6Max.
Dimension (WxHxD)	217 x 467 x 371 (mm) / 8.5 x 18.4 x 14.6 (in)	RGB Sync with M/B	Yes
Case Drive Bays	3.5" : 2 2.5" : 3+1 (converted from 3.5" drive bays) / (1 SSD tray included)	Onboard Lighting System	Yes
I/O Panel	USB 3.0 x 2, USB 2.0 x 1, Mic x 1 / Audio x 1, Reset Button, RGB Button	Max. CPU Cooler Height	175 (mm) / 6.9 (in)
Expansion Slots	7	Max. Graphics Card Length	320 (mm) / 12.6 (in)
Transparent Left Panel	4mm Tempered Glass	Max. PSU Length	160 (mm) / 6.3 (in)

PACKING DATA

Product Name	MX430 Air RGB (Black)	MX430 Air RGB (White)	Individual Size W/O Packaging Weight (N.Weight)	5.0 (kg)
Product Number (P/N)	3851C60.0001	3851C60.0002	Individual Packaging Weight (G.Weight)	6.0 (kg)
EAN CODE	4710483772979	4710483772986	Individual Size W/O Packaging (WxHxD)	217 x 467 x 371 (mm) / 8.54 x 18.4 x 14.6 (in)
UPC CODE	192554003856	192554003863	Individual Packaging Size (WxHxD)	277 x 436 x 538 (mm) / 10.9 x 17.2 x 21.2 (in)
JAN CODE	4541995036330	4541995036347		



MX430

COMPARISON



MX430 Air RGB (Black / White)

MX430 Mesh RGB (Black / Iron-gray)

		MX430 Air RGB (Black / White)	MX430 Mesh RGB (Black / Iron-gray)
Model No.		CGR-51C6B-AIR-RGB / CGR-51C6W-AIR-RGB	CGR-51C6B-MESH-RGB / CGR-51C6G-MESH-RGB
Front Panel		Patterned Air Vents	Mesh
ARGB Strips		Two ARGB light strips at the front panel	No
I/O Panel		USB 3.0 x 2, USB 2.0 x 1, Mic x 1 / Audio x 1, Reset Button, RGB Button	
Pre-installed Fans	Front	120mm ARGB fan x 2 pre-installed	
	Rear	120mm ARGB fan x 1 pre-installed	
Onboard Lighting System		Yes	
RGB Sync. with M/B		Yes	
Transparent Left Panel		4mm Tempered Glass	