



P.I.T.[®]

Progressive Innovational Technology

EN

PRODUCT PASSPORT
USER'S MANUAL

RU

ПАСПОРТ ИЗДЕЛИЯ ИНСТРУКЦИЯ
ПОЛЬЗОВАТЕЛЯ

MITER SAW **ТОРЦОВОЧНАЯ ПИЛА**



EAC

PCM255-C
PCM255-C2

PROGRESSIVE INNOVATIONAL TECHNOLOGY

ПРОГРЕССИВНЫЕ ИННОВАЦИОННЫЕ ТЕХНОЛОГИИ



GENERAL SAFETY PRECAUTIONS

Before operation:

- at transportation or storage of the saw in the conditions of negative temperatures influence it is necessary to sustain the saw before operation indoors at room temperature not less than 30 minutes;
- take into account the environment influence, do not use the tool at high (more than 80%) ambient humidity below -10 and above +35°C;
- conduct an external inspection of the tool for visible damage or deformation of the tool case;
- install the saw blades only in the dimensions and parameters specified in this manual; before starting operation, check the saw blade for damage and cracks;
- check operability of the on/off control of the tool electromotor. Without connecting the saw to the mains, press and release the on/off control – it is without the delay should return to its original position;
- before starting operation, make sure the saw blade is securely fixed;
- check the condition and reliability of the movable and fixed protective covers, the accuracy of the movable cover. It is forbidden to work the saw, the mobile protective cover which is faulty or damaged;
- before sawing the used material, make sure there are no nails and other metal objects in the workpiece;
- after the necessary adjustments, securely lock the handles to set the cutting depth, tilt angle and turning angle. If not reliable enough fixation during sawing it is possible to change these settings and, as a result, the occurrence of the saw blade jamming and the backblow;
- operation of the tool by untrained, unskilled persons or children is prohibited.

Personal safety:

- when operating with the tool, always use suitable clothing, as well as eyesight (glasses) and hearing protection (headphones);
- be careful and watch what you do – do not work with the tool if you are tired, are under the influence of medications that reducing the reaction, as well as in a state of alcoholic or narcotic intoxication;
- do not operate the power tool in an explosive environment or in the immediate vicinity of flammable liquids and gases, as the power tool is a source of sparks;
- when operating, always choose a reliable support surface for the saw. Unreliable, wobbly or slippery support surface can cause loss of control during operation with the saw – it is dangerous for the life and health of the operator;
- unauthorized persons, as well as children and animals are prohibited to be in the area of the saw;
- secure the workpiece during operation. To do this, use clamping fixtures;
- do not touch during operation the saw rotating parts;
- never operate the saw, the protective cover of which is forcibly fixed in the open position;
- when performing angular, inclined or combined sawing, wait until the disc has stopped rotating completely before lifting the cutting unit up. Otherwise, when the cutting unit is lifted, the workpieces can be captured by the rotating disc and forcefully thrown towards the operator.

Electric safety:

- do not expose the tool directly to moisture or any other aggressive environment;
- in case of unusual sounds, vibration, over-heating the saw surface, the appearance of smoke or smell, typical for burning insulation, should immediately cease further use of the saw and contact the technical service center;
- be careful in handling the saw - do not drop it, and do not shake, do not operate and do not leave the saw in places where the temperature can reach above 40°C;
- do not leave the saw connected to the mains without supervision;
- keep an eye on the condition of the power cord and plug, do not damage them or make independent changes to the design;
- do not make various efforts to the power cord: never carry the tool by the cord, do not pull the cord to disconnect the power tool from the socket. Keep the cord away from heat, moisture, oil. Avoid pulling, twisting, and breaking loads on the power cord;
- make sure that the voltage of your power supply corresponds to the data indicated on the saw case nameplate. Then plug the power cord into a socket;
- try not to block the rotation of the saw blade. Caused by blocking the rotation of the disc excess current leads to increased load on the motor and its possible further failure;
- avoid long-term (more than 15 minutes) continuous operation of the saw – this can lead to saw motor overheating and, as a result, its failure.

EXPLANATION OF P.I.T. TRADEMARK

P.I.T. Progressive Innovational Technology

Currently, 10 kinds of mechanical and electrical equipment are produced under the P.I.T. trademark.

In terms of sales, **PCM255-C** occupies one of the leading positions.

The designation of this electric miter saw model has the following meaning.

For example, **PCM255-C**:

P – Trademark of P.I.T.

CM – electric miter saw

255 – saw blade diameter 255 mm.

C – modification series



Model PCM255-C



Model PCM255-C2

INTENDED USE

Miter saw **PCM255-C** is designed to perform direct, side and oblique cuts and slices in wood, chipboard, fiberboard, plastics; designed for use in domestic household conditions at ambient temperatures from -5 to +35°C and relative humidity of not more than 80% in the absence of exposure to atmospheric precipitation.

PRODUCT SPECIFICATIONS

	PCM255-C	PCM255-C2
Rated voltage	220 V	220 V
Disk diameter	255 mm	255 mm
No-load speed	4,600rpm	4,600rpm
Rated output capacity	2,000 W	1,600W
Cutting depth	70 mm	70 mm
Weight	14kg	17.5kg

FUNCTIONAL CAPABILITIES AND FEATURES

Functional Capabilities

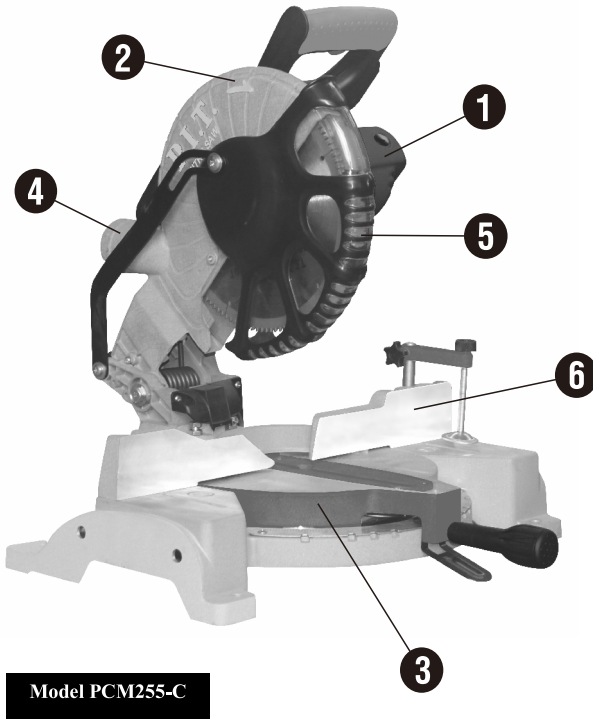
It is intended for direct, side and oblique cuts of various wood types.

Features

Dust bag included

Low noise during operation and high cutting efficiency.

MITER SAW ASSEMBLY



Model PCM255-C

1. Electromotor



Rotor

Made of high quality material, which increases strength and durability. The rotor is one of the key parts of the electric miter saw. The rotor design is simple, which ensures reliability in operation, ease of operation and maintenance.



Stator

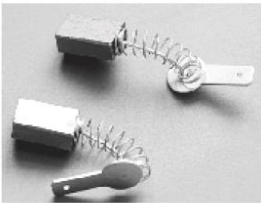
It is one of the high-quality parts of the electric miter saw. This part is a fixed part of the saw, creating a rotating magnetic field. The stator consists of a stator metal core, a stator winding, a slot.

Bearings:

Luxury, resistant to high temperatures.

Note:

The AC motor consists of a stator and a rotor. After connecting to the mains, a magnetic field (magnetic pole) is formed on the rotor, a concluded angle is formed between the magnetic poles of the stator and the rotor, and the electromotor starts to rotate under the action of mutual attraction of the magnetic fields of the stator and the rotor.



Carbon brushes.

To ensure the normal operation of the electric miter saw requires excellent performance characteristics of carbon brushes, which manifest themselves:

- a. in a fairly rapid formation on the surface of the switch and the slip ring of a uniform, commensurate, stable layer of oxide film.
- b. with a long service life of carbon brushes, as well as the absence of switch wear.
- c. good flow concentration and switching properties, which allows you to keep sparks in the allowable range with low power consumption.
- d. in the absence of overheating, low noise, in the reliability of the assembly, in the absence of damage with carbon brushes operating.

2. Cutting block

Made on a pendulum basis and consists of a gearbox, a protective cover, a main handle with an on/off control and an additional handle for transportation. A saw blade is installed to the cutting unit.

3. Rotary base

Made of aluminum alloy. It has a sliding surface, thereby the workpiece is held securely

4. Outlet for dust collector connection

The package includes a bag for dust and chips collection, which is installed on the saw through the outlet

5. Protective cover

Prevents the operator from getting injured

6. Saw table limit stop

Serves to fix the workpiece

RULES OF OPERATION

Saw on / off

- The saw is powered on/off by pressing the on/off control (1)
- The design of the on/off control does not provide for fixing in the on position. It is forbidden to fix the on/off control in the powered on position by means of additional means



Saw blade replacement

- Make sure the correct installation of the disc rotation direction - during installation it is necessary that the direction arrow of the disc rotation corresponded to the direction indicated on the saw case;
- Move the movable protective cover up and lock the spindle by pressing the button;
- With special key unscrew the saw blade fixing bolt, remove the outer hold-down flange and disc together with the inner flange from the spindle;
- To install the saw blade, install the inner flange on the spindle and mount the saw blade in reverse order;
- After disc installation, check that the disc does not touch the rotary base in the lower position of the cutting unit;
- After disc installation, connect the saw to the mains and perform a short test run. If there is a strong vibration, the disc must be replaced;

Cutting depth adjustment

- If necessary, the cutting depth adjustment is carried out by a special adjustment bolt;

Setting the turning angle of the saw table

- The saw table has the ability to set a predetermined turning angle in both directions relative to the workpiece back part in a fixed position;
- Fixing the position of the turning angle of the saw table is possible at values: 0, 15, 22, 5, 30, 45 degrees in both directions;
- To set the turning angle, loosen the fixing bolt, set the desired cutting angle and tighten the fixing bolt securely.

Setting the tilt angle of the cutting unit

- The cutting unit has the ability to set the specified tilt angle relative to the vertical axis to the left side in the position from 0 to 45 degrees;
- To set the tilt angle, loosen the locking handle, set the desired cutting angle and tighten the locking handle securely.

MAINTENANCE

- Before the beginning of operation the saw shall be stored in the manufacturer packing at ambient temperature from -10 to + 35° C and air relative humidity no more than 80%;
- Use compressed air and a soft cloth dampened with soapy water to clean the contaminated surface of the tool. It is forbidden to use solvent or any other chemical means!
- the best place to store unused tools is a dry room with a temperature range from +5 to +25° C, out of reach of children, away from direct sunlight and sources of enhanced emission of heat and cold;
- To facilitate transportation, the saw should be folded. To do this, completely lower the saw cutting unit and lock it in the lower position with a locking pin. Secure the rotary base with the fixing bolt;
- This tool cannot be disposed of with normal household waste. Dispose of your end-of-life saw in an environmentally friendly way – you can pass your end-of-life tool to a regional collection point.

Maintenance of the tool must be performed only by qualified personnel of authorized technical service centers.

TERMS OF WARRANTY SERVICE

1. This Warranty Certificate is the only document that confirms your right to free warranty service. Without presenting this certificate, no claims are accepted. In case of loss or damage, the warranty certificate is not restored.

2. The warranty period for the electric machine is 12 months from the date of sale, during the warranty period the service department eliminates manufacturing defects and replaces parts that have failed due to the fault of the manufacturer free of charge. In the warranty repair, an equivalent operable product is not provided. Replaceable parts become property of service providers.

P.I.T is not liable for any damage that may be caused by operation of the electric machine.

3. Only clean tool accompanied with the following duly executed documents: this Warranty Certificate, Warranty Card, with all fields filled out, bearing the stamp of the trade organization and the signature of the buyer, shall be accepted for warranty repair.

4. Warranty repair is not performed in the following cases:

- in the absence of a Warranty Certificate and a Warranty Card or their incorrect execution;
- with failure of both a rotor and a stator of the electric engine, charring or melting of primary winding of the welding machine transformer, charging or starting-charging device, with internal parts melting, burn down of electronic circuit boards;
- if a Warranty Certificate or a Warranty Card does not correspond to this electric machine or to the form established by the supplier;
- upon expiration of the warranty period;
- at attempts of opening or repair of the electric machine outside the warranty workshop; making constructive changes and lubrication of the tool during the warranty period, as evidenced, for example, by the creases on the spline parts of the fasteners of non-rotational parts.
- when using electric tools for production or other purposes connected with making a profit, as well as in case of malfunctions related to instability of the power network parameters exceeding the norms established by GOST;
- in the events of improper operation (use the electric machine for other than intended purposes, attachments to the electric machine of attachments, accessories, etc. not provided by the manufacturer);
- with mechanical damage to the case, power cord and in case of damages caused by aggressive agents and high and low temperatures, ingress of foreign objects in the ventilation grids of the electric machine, as well as in case of damage resulting from improper storage (corrosion of metal parts);
- natural wear and tear on the parts of the electric machine, as a result of long-term operation (determined on the basis of the signs of full or partial depletion of the specified mean life, great contamination, presence of rust outside and inside the electric machine, waste lubricant in the gearbox);
- use of the tool the purposes for other than specified in the operating instructions.
- mechanical damages to the tool;
- in the event of damages due to non-observance of the operating conditions specified in the instruction (see chapter "Safety Precautions" of the Manual).
- damage to the product due to non-observance of the rules of storage and transportation.

Preventive maintenance of electric machines (cleaning, washing, lubrication, replacement of anthers, piston and sealing rings) during the warranty period is a paid service.

The service life of the product is determined by the current legislation and is 5 years from the date of manufacture.

The owner is notified of any possible violations of the above terms of warranty service upon completion of diagnostics in the service center.

The owner of the tool entrusts the diagnostic procedure to be conducted in the service center in his absence.

Do not operate the electric machine when there are signs of excessive heat, sparking, or noise in the gearbox. To determine the cause of the malfunction, the buyer should contact the warranty service center.

Malfunctions caused by late replacement of carbon brushes of the engine are eliminated at the expense of the buyer.

5. The warranty does not cover:

- replacement accessories (accessories and components), for example: batteries, discs, blades, drill bits, borers, chucks, chains, sprockets, collet clamps, guide rails, tension and fastening elements, trimming device heads, base of grinding and belt sander machines, filters, etc.,
- fast wearing parts, for example: carbon brushes, drive belts, seals, protective covers, guiding rollers, guides, rubber seals, bearings, toothed belts and wheels, shanks, brake belts, starter ratchets and ropes, piston rings, etc. Their replacement during the warranty period is a paid service;
- power cords, in case of damage to the insulation, power cords are subject to mandatory replacement without the consent of the owner (paid service);
- tool case.

P.I.T. WARRANTY CERTIFICATE

Product Name _____ Place of seal _____
Product Number □□□□□□□□□□
Serial Number □□□□□□□□□□
Sale Date _____
Trade Organization Name _____

Dear customer!

Thank you for purchasing the P.I.T tool, and we hope that you will be satisfied with your choice. In the process of manufacturing the P.I.T tools pass multilevel quality control, if nevertheless your product will need maintenance, please contact the authorized P.I.T service centers.

Attention!

When buying, ask a seller to check the completeness and operability of the tool, to fill out the Warranty Certificate, the Warranty Card (the boxes shall be filled out by a seller) and to affix the seal of the trade organization in the Guarantee Certificate and the Warranty Card.

Warranty

By this Warranty Certificate, P.I.T. company guarantees the absence of defects of the production nature, both in the product itself and in its constituent components.

In the event any of the above defects are detected during the warranty period, the specialized P.I.T. service centers shall repair the product and replace the defective spare parts free of charge.

The warranty period for P.I.T. electric machines is 12 months from the date of sale.

“The warranty maintenance terms acknowledged and accepted. The operability and completeness of the product are checked in my presence. No claims on quality and appearance.”

Buyer's Signature _____ **Surname (legibly)** _____

Phone _____

ОБЩИЕ МЕРЫ БЕЗОПАСНОСТИ

Перед началом работы:

- при транспортировке или хранении пилы в условиях воздействия отрицательных температур необходимо перед началом эксплуатации выдержать пилу в помещении при комнатной температуре не менее 30 минут;
- учитывайте влияние окружающей среды, не используйте инструмент при высокой (более 80%) влажности окружающей среды ниже –10 и выше +35°С;
- проведите внешний осмотр инструмента на наличие видимых повреждений или деформации корпуса инструмента;
- устанавливайте пильные диски только указанных в настоящем руководстве размеров и параметров, перед началом работы проверяйте пильный диск на отсутствие повреждений и трещин;
- проверяйте работоспособность выключателя электродвигателя инструмента. Не подключая пилу к электросети, нажмите и отпустите выключатель – он без задержек должен возвратиться в исходное положение;
- перед началом работы убедитесь в надежности фиксации пильного диска;
- проверьте состояние и надежность крепления подвижного и неподвижного защитных кожухов, четкость срабатывания подвижного кожуха. Запрещается работать пилой, подвижный защитный кожух который неисправен или поврежден;
- перед распиловкой материала, бывшего в употреблении, убедитесь в отсутствии гвоздей и других металлических предметов в заготовке;
- после необходимых регулировок надежно зафиксируйте рукоятки установки глубины пропила, угла наклона и угла поворота. При недостаточной надежной фиксации во время пиления возможно изменение этих установок и, как следствие, возникновение заклинивания пильного диска и обратной отдачи;
- запрещается эксплуатация инструмента неподготовленными, необученными лицами или детьми.

Личная безопасность:

- при работе с инструментом всегда используйте подходящую спецодежду, а так же средства защиты зрения (очки) и слуха (наушники);
- будьте внимательны и следите за тем, что вы делаете – не работайте с инструментом, если вы устали, находитесь под влиянием лекарственных средств, снижающих реакцию, а так же в состоянии алкогольного или наркотического опьянения;
- не работайте электроинструментом во взрывоопасной среде или в непосредственной близости легковоспламеняющихся жидкостей и газов, т.к. электроинструмент является источником искр;
- при работе всегда выбирайте надежную опорную поверхность для пилы. Ненадежная, шатающаяся или скользкая опорная поверхность может послужить причиной потери контроля при работе пилой – это опасно для жизни и здоровья оператора;
- посторонним лицам, а так же детям и животным запрещается находиться в зоне работы пилы;
- во время работы надежно закрепляйте обрабатываемую деталь. Для этого используйте зажимные фиксирующие приспособления;
- не соприкасайтесь во время работы в вращающимися частями пилы;
- никогда не работайте пилой, защитный кожух которой принудительно зафиксирован в открытом положении;
- при выполнении углового, наклонного или комбинированного пиления дождитесь полной остановки вращения диска прежде, чем поднять вверх режущий блок. В противном случае, при поднятии режущего блока обрезки заготовки могут быть захвачены вращающимся диском и с силой отброшены в сторону оператора.

Электробезопасность:

- не подвергайте инструмент непосредственному воздействию влаги или любой другой агрессивной среды;
- при появлении посторонних звуков, вибрации, повышенного нагрева поверхности пилы, появления дыма или постороннего запаха, характерного для горелой изоляции, следует немедленно прекратить дальнейшую эксплуатацию пилы и обратиться в сервисный центр;
- будьте осторожны в обращении с пилой – не роняйте ее, и не подвергайте тряске, не работайте и не оставляйте пилу в местах, где температура может достигать отметки выше 40°С;
- не оставляйте без надзора пилу, подключенную к электросети;
- следите за состоянием шнура электропитания и штепсельной вилки, не допускайте их повреждения или внесения самостоятельных изменений в конструкцию;
- не прилагайте различного рода усилия к шнуру электропитания: никогда не переносите инструмент за шнур, не дергайте за шнур для отключения электроинструмента от электрической розетки. Держите шнур подальше от источников тепла, влаги, масла. Не допускайте натягивания, перекручивания и нагрузки на разрыв шнура электропитания;
- убедитесь в том, что напряжение вашей электросети соответствует данным, указанным на заводской табличке корпуса пилы. После этого подключите штепсельную вилку шнура электропитания к розетке электросети;
- старайтесь не допускать блокировки вращения диска пилы. Вызванное блокировкой вращение диска избыточное поступление тока приводит к повышенной нагрузке на электродвигатель и возможной дальнейшей его поломке;
- избегайте длительной (более 15 минут) непрерывной работы пилы – это может привести к перегреву электродвигателя пилы и, как следствие, его поломке.

РАСШИФРОВКА ТОРГОВОЙ МАРКИ P.I.T.

P.I.T.[®] Progressive Innovational Technology (Прогрессивные Инновационные Технологии)

В настоящее время под маркой P.I.T. выпускается механическое и электрическое оборудование 10 видов.

По объему продаж **PCM255-C** занимает одно из лидирующих мест. Обозначение данной модели электрической торцовочной пилы имеет следующее значение.

Например, **PCM255-C**

P – торговая марка P.I.T.

CM – электрическая торцовочная пила

255 – диаметр пильного диска 255 мм

C – серия модификации

НАЗНАЧЕНИЕ

Торцовочная пила **PCM255-C** предназначена для выполнения прямых, боковых и косых распилов и резов в древесине, ДСП, ДВП, пластмассах; предназначена для эксплуатации в бытовых условиях при температуре окружающей среды от -5 до $+35^{\circ}\text{C}$ и относительной влажности воздуха не более 80% при отсутствии воздействия атмосферных осадков.



модель PCM255-C



модель PCM255-C2

ТЕХНИЧЕСКИЕ ХАРАКТЕРИСТИКИ

	PCM255-C	PCM255-C2
Номинальное напряжение	220 В	220 В
Диаметр диска	255 мм	255 мм
Число оборотов на холостом ходу	4600 об/мин	4600 об/мин
Номинальная выходная мощность	2000 Вт	1600 Вт
Глубина пропила	70 мм	70 мм
Вес	14 кг	17,5 кг

ФУНКЦИОНАЛЬНЫЕ ВОЗМОЖНОСТИ И ОСОБЕННОСТИ

Функциональные возможности:

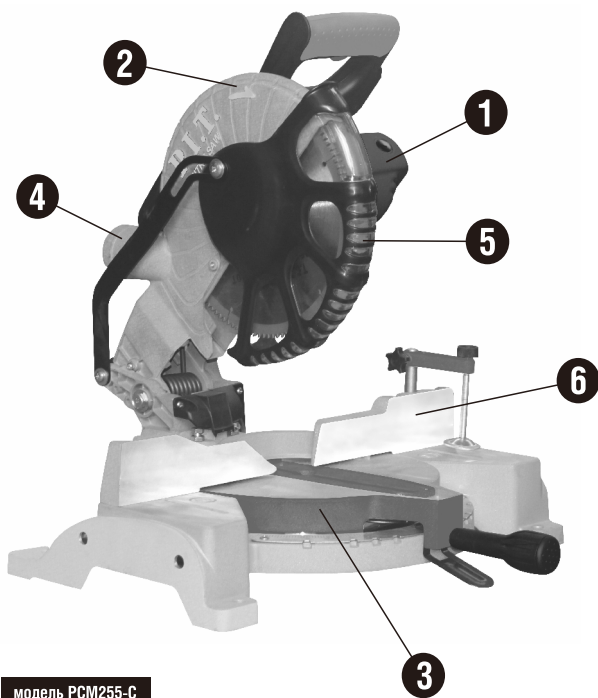
Предназначена для для прямых, косых и боковых распилов различных пород древесины.

Особенности:

В комплектацию входит мешок для пыли

Низкий уровень шума во время эксплуатации и высокая эффективность резки.

УСТРОЙСТВО ТОРЦОВОЧНОЙ ПИЛЫ



1 Электродвигатель



Ротор.

Выполнен из высококачественного материала, что повышает прочность и износостойкость. Ротор является одной из ключевых деталей электрической торцовочной пилы. Конструкция ротора простая, что обеспечивает надежность в работе, удобство при эксплуатации и обслуживании.



Статор.

Является одной из высококачественных деталей электрической торцовочной пилы. Данная деталь является зафиксированной деталью пилы, создавая вращающееся магнитное поле. Статор состоит из металлического сердечника статора, обмотки

статора, гнездо.

Подшипники:

класса люкс, устойчивые к высоким температурам.

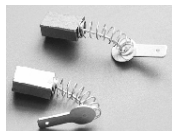
Примечание:

Электродвигатель переменного тока состоит из статора и ротора. После подключения к сети на роторе формируется магнитное поле (магнитный полюс), между магнитными полюсами статора и ротора образуется заключенный угол, под действием взаимного притягивания магнитных полей статора и ротора начинает вращаться электродвигатель.

Угольные щетки.

Для обеспечения нормальной работы электрической торцовочной пилы требуются отличные рабочие характеристики угольных щеток, которые проявляются:

- a. в достаточно быстром формировании на поверхности коммутатора и коллекторного кольца равномерного, соразмерного, стабильного слоя оксидной пленки.
- b. при длительном сроке эксплуатации угольных щеток, а также отсутствии износа коммутатора.
- c. хорошими свойствами концентрации потока и коммутации, что позволяет удерживать искры в допустимом диапазоне при низком расходе энергии.
- d. в отсутствии перегрева, низком уровне шума, в надежности сборки, в отсутствии повреждений при работе угольных щеток.



2 Режущий блок

Выполнен на маятниковой основе и состоит из редуктора, защитного кожуха, основной рукоятки с кнопкой включения и дополнительной транспортировочной рукоятки. В режущий блок устанавливается пильный диск.

3 Поворотное основание

выполнено из алюминиевого сплава. Не скользящая поверхность, благодаря чему заготовка надежно удерживается

4 Выходное отверстие для подключения пылесборника

в комплект поставки входит мешок для сбора пыли и стружки, который устанавливается на пилу через выходное отверстие

5 Защитный кожух

предотвращает оператора от получения травм

6 Упор пильного стола

служит для фиксации заготовки

ПРАВИЛА ЭКСПЛУАТАЦИИ

Включение/выключение пилы

- включение/выключение пилы осуществляется нажатием на выключатель (1)
- конструкцией выключателя не предусмотрена фиксация во включенном положении. Запрещается фиксировать выключатель во включенном положении с помощью дополнительных средств



Замена пильного диска

- следите за правильной установкой направления вращения диска – при установке необходимо, чтобы стрелка направления вращения на диске соответствовала направлению, указанному на корпусе пилы;
- отведите подвижный защитный кожух вверх и заблокируйте вращение шпинделя нажатием кнопки;
- с помощью спец. ключа открутите фиксирующий болт пильного диска, снимите внешний прижимной фланец и диск вместе с внутренним фланцем со шпинделя;
- для установки пильного диска, установите внутренний фланец на шпиндель и произведите дальнейший монтаж пильного диска в обратном порядке;
- после установки диска проверьте, что бы в нижнем положении режущего блока диск не касался поворотного основания;
- после установки диска подключите пилу к электросети и осуществите пробный кратковременный запуск. При наличии сильной вибрации диск необходимо заменить;

Регулировка глубины пропила

- при необходимости, регулировка глубины пропила осуществляется специальным регулировочным болтом;

Установка угла поворота пильного стола

- пильный стол имеет возможность установки заданного угла поворота в обе стороны относительно задней кромки заготовки в фиксированном положении;
- фиксация положения угла поворота пильного стола возможна на значениях: 0, 15, 22,5, 30, 45 градусов в обе стороны;
- для установки угла поворота ослабьте фиксирующий болт, установите необходимый угол распила и надежно затяните фиксирующий болт.

Установка угла наклона режущего блока

- режущий блок имеет возможность установки заданного угла наклона относительно вертикальной оси в левую сторону в положении от 0 до 45 градусов;
- для установки угла наклона ослабьте фиксирующую рукоятку, установите необходимый угол распила и надежно затяните фиксирующую рукоятку.

ТЕХНИЧЕСКОЕ ОБСЛУЖИВАНИЕ

- до начала эксплуатации пила должна храниться в упаковке завода-изготовителя при температуре окружающей среды от -10 до +35° С и относительной влажности воздуха не более 80%;
- для очистки загрязненной поверхности инструмента следует использовать сжатый воздух и мягкую салфетку, смоченную водой с мыльным раствором. Запрещено использовать растворитель или любые другие химические средства!
- оптимальным местом для хранения неиспользуемого инструмента является сухое помещение с температурным режимом от +5 до +25° С, в недоступном для детей месте, вдали от воздействия прямых солнечных лучей и источников повышенного излучения тепла и холода;
- для облегчения транспортировки пилу следует сложить. Для этого следует полностью опустить режущий блок пилы и зафиксировать его в нижнем положении с помощью с помощью стопорной шпильки. Закрепите поворотное основание с помощью фиксирующего болта;
- данный инструмент нельзя утилизировать вместе с обычными бытовыми отходами. Утилизируйте отработавшую свой срок пилу безопасным для окружающей среды способом – вы можете сдать отработавший свой ресурс инструмент в региональный приемный пункт переработки.

Обслуживание инструмента должно быть выполнено только квалифицированным персоналом уполномоченных сервисных центров.

УСЛОВИЯ ГАРАНТИЙНОГО ОБСЛУЖИВАНИЯ

1. Настоящее гарантийное свидетельство является единственным документом, подтверждающим Ваше право на бесплатное гарантийное обслуживание. Без предъявления данного свидетельства претензии не принимаются. В случае утери или порчи гарантийное свидетельство не восстанавливается.
 2. Гарантийный срок на электроинструмент составляет 12 месяцев со дня продажи, в течение гарантийного срока сервисная служба бесплатно устраняет производственные дефекты и производит замену деталей, вышедших из строя по вине изготовителя. На период гарантийного ремонта эквивалентный исправный инструмент не предоставляется. Заменяемые детали переходят в собственность служб сервиса. Компания P.I.T. не несет ответственности за вред, который может быть причинен при работе с электроинструментом.
 3. В гарантийный ремонт инструмент принимается в чистом виде, при обязательном наличии надлежащим образом оформленных документов: настоящего гарантийного свидетельства, гарантийного талона, с полностью заполненными полями, штампом торговой организации и подписью покупателя.
 4. Гарантийный ремонт не производится в следующих случаях:
 - при отсутствии гарантийного свидетельства и гарантийного талона или неправильном их оформлении;
 - при совместном выходе из строя якоря и статора электродвигателя, при обугливание или оплавлении первичной обмотки трансформатора сварочного аппарата, зарядного или пуско-зарядного устройства, при оплавлении внутренних деталей, прожиге электронных плат;
 - если гарантийное свидетельство или талон не принадлежат данному электроинструменту или не соответствует установленному поставщиком образцу;
 - по истечении срока гарантии;
 - при попытках самостоятельного вскрытия или ремонта электроинструмента вне гарантийной мастерской; внесения конструктивных изменений и смазки инструмента в гарантийный период, о чем свидетельствуют, например, заломы на шлицевых частях крепежа корпусных деталей.
 - при использовании электроинструмента в производственных или иных целях, связанных с получением прибыли, а также – при возникновении неисправностей связанных с нестабильностью параметров электросети, превышающих нормы, установленные ГОСТ;
 - при неправильной эксплуатации (использование электроинструмента не по назначению, установки на электроинструмент не предназначенных заводом-изготовителем насадок, дополнительных приспособлений и т.п.;
 - при механических повреждениях корпуса, сетевого шнура и при повреждениях, вызванных воздействиями агрессивных средств и высоких и низких температур, попадании инородных предметов в вентиляционные решетки электроинструмента, а также при повреждениях, наступивших в результате неправильного хранения(коррозия металлических частей);
 - при естественном износе деталей электроинструмента, в результате длительной эксплуатации(определяется по признакам полной или частичной выработки ресурса, сильного загрязнения, ржавчины снаружи и внутри электроинструмента, отработанной смазки в редукторе);
 - использование инструмента не по назначению, указанному в инструкции по эксплуатации.
 - при механических повреждениях инструмента;
 - при возникновении повреждений в связи с несоблюдением предусмотренных инструкцией условий эксплуатации(см. главу Указание по технике безопасности в инструкции).
 - повреждение изделия вследствие несоблюдения правил хранения и транспортировки.
- Профилактическое обслуживание электроинструмента (чистка, промывка, смазка, замена пыльников, поршневых и уплотнительных колец) в гарантийный период является платной услугой.
- Срок службы изделия установлен в соответствии с действующим законодательством и составляет 5 лет со дня изготовления.
- О возможных нарушениях, изложенных выше условий гарантийного обслуживания, владельцу сообщается после проведения диагностики в сервисном центре.
- Владелец инструмента доверяет проведение диагностики в сервисном центре в свое отсутствие.
- Запрещается эксплуатация электроинструмента при проявлении признаков повышенного нагрева, искрения, а также шума в редукторной части. Для выяснения причин неисправности покупателю следует обратиться в гарантийную мастерскую.
- Неисправности, вызванные несвоевременной заменой угольных щеток двигателя, устраняются за счет покупателя.
5. Гарантия не распространяется на:
 - сменные принадлежности (аксессуары и оснастка), например: аккумуляторы, диски, ножи, сверла, буры, патроны, цепи, звездочки, цанговые зажимы, шины, элементы натяжения и крепления, головки триммеров, подошвы шлифовальных и ленточных машин, фильтры и т.п.
 - быстроизнашивающиеся детали, например: угольные щетки, приводные ремни, сальники, защитные кожухи, направляющие ролики, направляющие, резиновые уплотнения, подшипники, зубчатые ремни и колеса, стволы, ленты тормоза, храповики и тросы стартеров, поршневые кольца и т.п. Замена их в течение гарантийного срока является платной услугой.
 - шнуры питания, в случае повреждения изоляции, шнуры питания подлежат обязательной замене без согласия владельца (услуга платная).
 - корпуса инструмента.

ГАРАНТИЙНОЕ СВИДЕТЕЛЬСТВО НА ИНСТРУМЕНТ P.I.T.

Наименование изделия _____

Артикул изделия Серийный номер

Дата продажи «__» _____

Наименование торговой организации _____

М.П.

Уважаемый покупатель!

Благодарим Вас за покупку инструмента P.I.T. и надеемся, что Вы останетесь довольны своим выбором. В процессе производства инструменты P.I.T. проходят многоуровневый контроль качества, если тем не менее Ваше изделие будет нуждаться в обслуживании, просим Вас обращаться в авторизированные сервисные центры P.I.T.

Внимание!

При покупке требуйте у продавца проверки комплектности и работоспособности инструмента, заполнение гарантийного свидетельства, гарантийного талона(графы заполняются продавцом) и простановки печати торговой организации в гарантийном свидетельстве и гарантийном талоне.

Гарантия

На основании данного гарантийного свидетельства компания P.I.T. гарантирует отсутствие дефектов производственного характера, как в самом изделии, так и в составляющих его компонентах.

Если в течении гарантийного срока в Вашем изделии тем не менее обнаружатся указанные дефекты, специализированные сервисные центры P.I.T. бесплатно отремонтируют изделие и заменят дефектные запасные части.

Гарантийный срок на электроинструменты P.I.T. составляет 12 месяцев со дня продажи.

«С условиями гарантийного обслуживания ознакомлен(а). Работоспособность и комплектность изделия проверены в моем присутствии. Претензий к качеству и внешнему виду не имею».

Подпись покупателя _____ Фамилия(разборчиво) _____

Телефон _____

P.I.T. WARRANTY CARD

Name _____
 Serial number _____
 The date of sale 20 ____
 The date of receipt of the repair 20 ____



Name _____
 Serial number _____
 Date of sale "" _____
 (Filled by seller)

Seal is here

WARRANTY REPAIR CARD

date of acceptance for repair ____ 20 ____ .
 Application for repair _____
 Customer _____
 Telephone (address) _____
 The reason for petition _____
 Tool checked in my presence _____
 (The order is filled in the service center) (signature)

Seal is here

Name _____
 Serial number _____
 The date of sale 20 ____
 The date of receipt of the repair 20 ____



Name _____
 Serial number _____
 Date of sale "" _____
 (Filled by seller)

Seal is here

WARRANTY REPAIR CARD

date of acceptance for repair ____ 20 ____ .
 Application for repair _____
 Customer _____
 Telephone (address) _____
 The reason for petition _____
 Tool checked in my presence _____
 (The order is filled in the service center) (signature)

Seal is here

Name _____
 Serial number _____
 The date of sale 20 ____
 The date of receipt of the repair 20 ____



Name _____
 Serial number _____
 Date of sale "" _____
 (Filled by seller)

Seal is here

WARRANTY REPAIR CARD

date of acceptance for repair ____ 20 ____ .
 Application for repair _____
 Customer _____
 Telephone (address) _____
 The reason for petition _____
 Tool checked in my presence _____
 (The order is filled in the service center) (signature)

Seal is here

ГАРАНТИЙНЫЙ ТАЛОН P.I.T.

 Наименование _____
 Серийный номер _____
 Дата продажи «__» ____ 20__ г.
 Дата получения из ремонта «__» ____ 20__ г.

 Наименование _____
 Серийный номер _____
 Дата продажи «__» ____ 20__ г.
 (Заполняется продавцом)

М.П.

КАРТА ГАРАНТИЙНОГО РЕМОНТА ____
 Дата приема в ремонт ____ 20__ г.
 Заявка на ремонт _____
 Заказчик _____
 Телефон(адрес) _____
 Причина обращения _____
 Дата получения из ремонта ____ 20__ г.
 Инструмент проверен в моем присутствии _____
 (Заказ заполняется в сервисном центре) (подпись)

М.П.

 Наименование _____
 Серийный номер _____
 Дата продажи «__» ____ 20__ г.
 Дата получения из ремонта «__» ____ 20__ г.

 Наименование _____
 Серийный номер _____
 Дата продажи «__» ____ 20__ г.
 (Заполняется продавцом)

М.П.

КАРТА ГАРАНТИЙНОГО РЕМОНТА ____
 Дата приема в ремонт ____ 20__ г.
 Заявка на ремонт _____
 Заказчик _____
 Телефон(адрес) _____
 Причина обращения _____
 Дата получения из ремонта ____ 20__ г.
 Инструмент проверен в моем присутствии _____
 (Заказ заполняется в сервисном центре) (подпись)

М.П.

 Наименование _____
 Серийный номер _____
 Дата продажи «__» ____ 20__ г.
 Дата получения из ремонта «__» ____ 20__ г.

 Наименование _____
 Серийный номер _____
 Дата продажи «__» ____ 20__ г.
 (Заполняется продавцом)

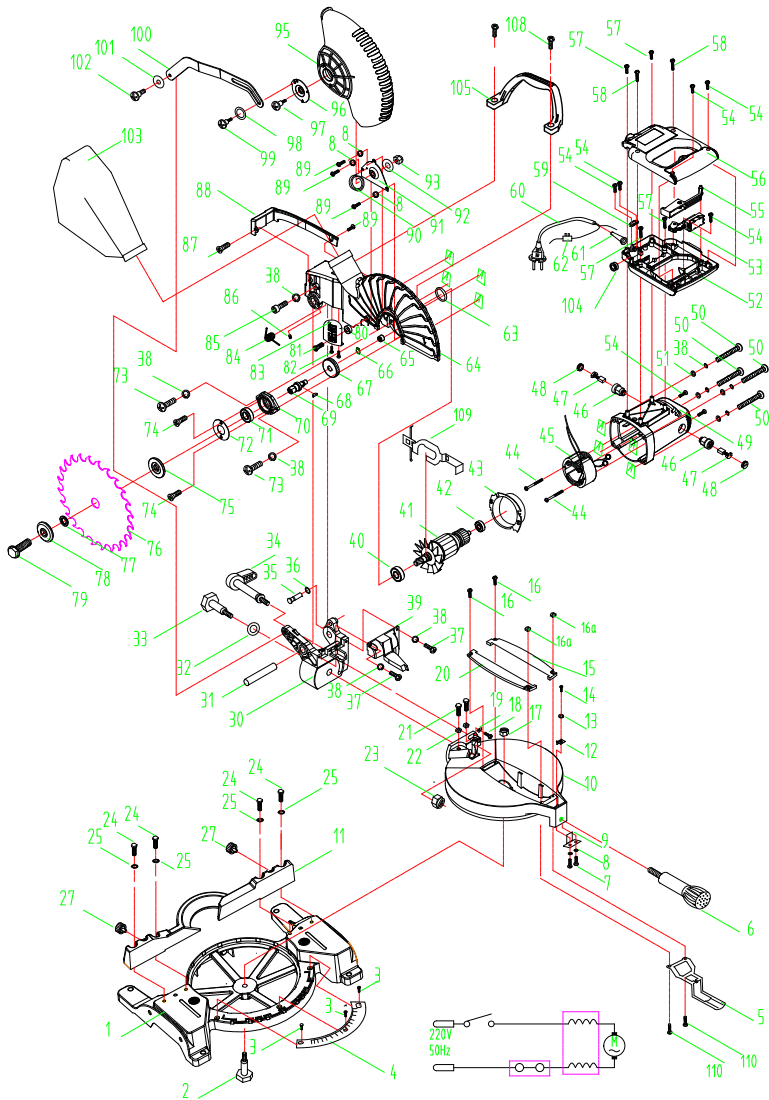
М.П.

КАРТА ГАРАНТИЙНОГО РЕМОНТА ____
 Дата приема в ремонт ____ 20__ г.
 Заявка на ремонт _____
 Заказчик _____
 Телефон(адрес) _____
 Причина обращения _____
 Дата получения из ремонта ____ 20__ г.
 Инструмент проверен в моем присутствии _____
 (Заказ заполняется в сервисном центре) (подпись)

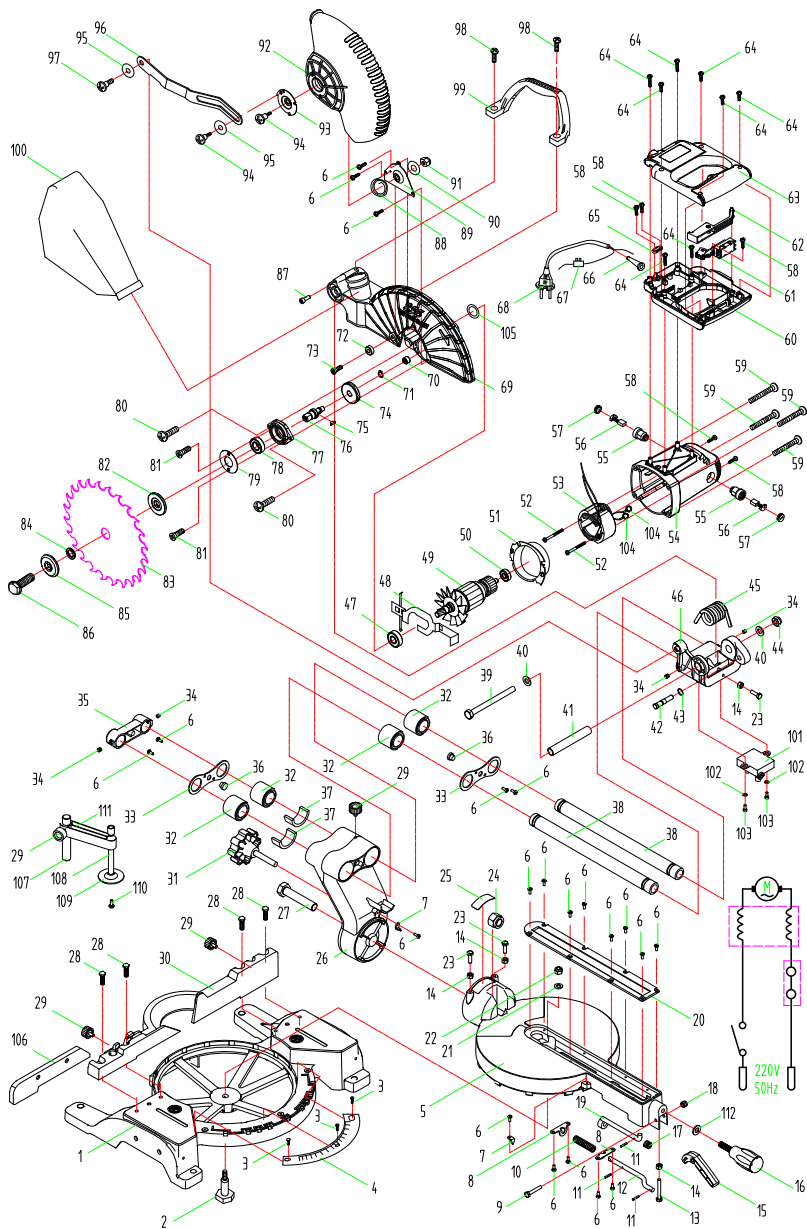
М.П.

P.I.T. WARRANTY SHEET / ГАРАНТИЙНЫЙ ТАЛОН P.I.T.

PCM255-C



PCM255-C2





Поставщик: Китай Xinjiang Longbo Industrial Co., Ltd.
Адрес производства: Rm. 602, 6th Floor, No. 531, Weixing Road, Economic And Technological Development Zone, Urumqi, Xinjiang, China
Уполномоченный представитель: ООО "Турбо-Тулс"
Юридический адрес: 614012, Пермский КРАЙ, г. Пермь, ул. Норильская, д. 8

Сделано в КНР/Made in China

