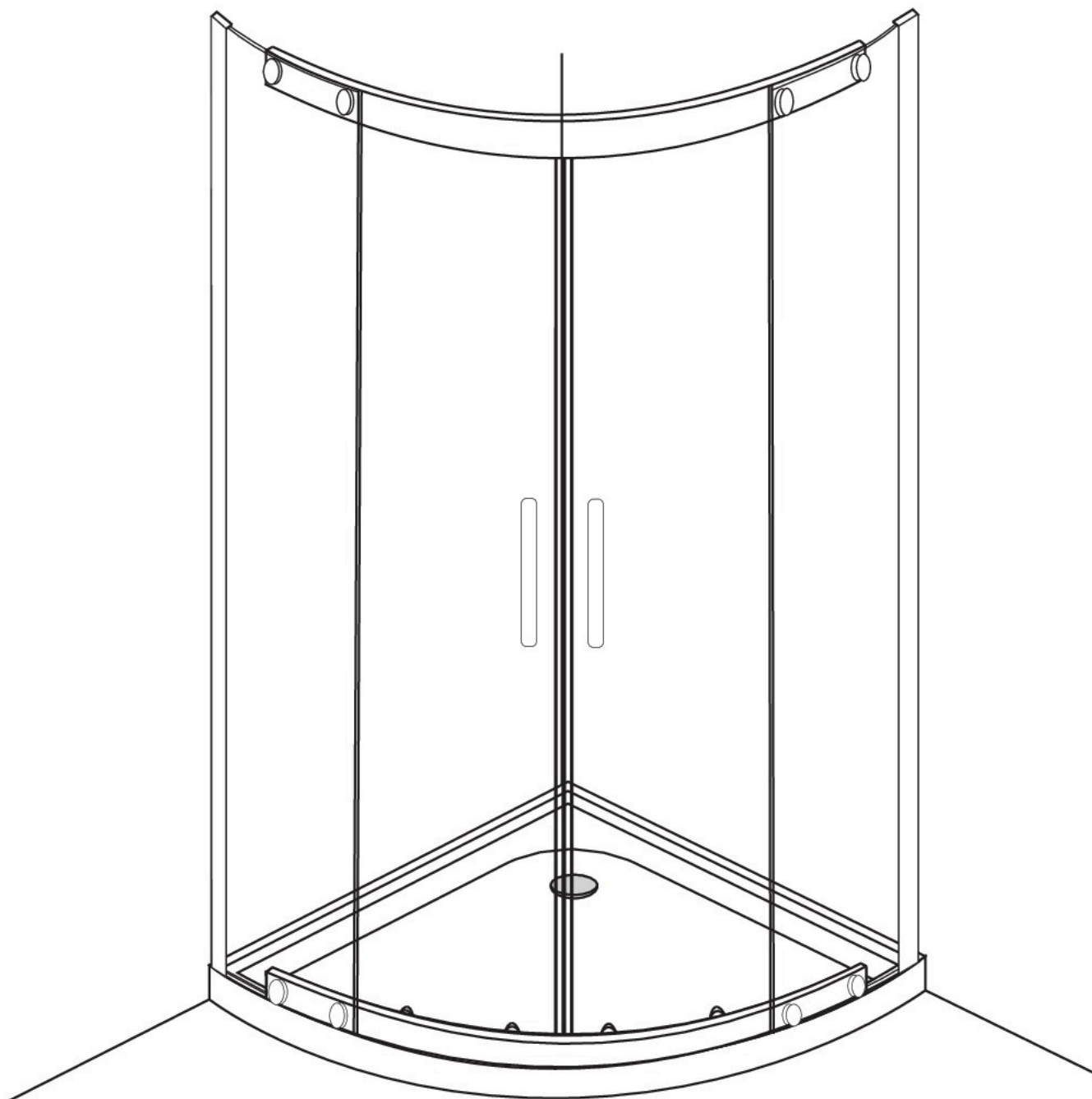


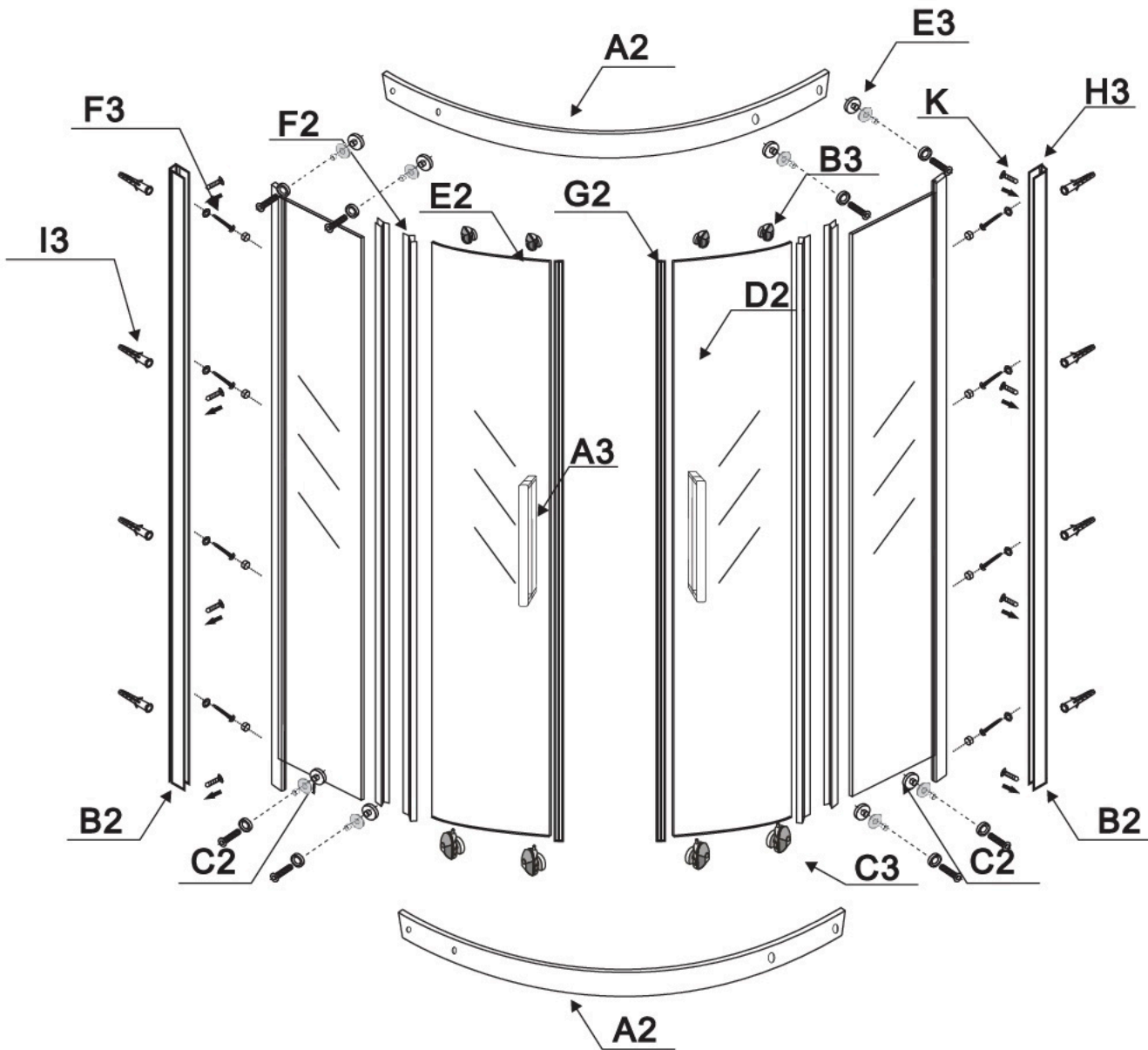
Installation instructions Grossman GR-0090



Grossman.su - продажа, установка
8(495)972-80-69

SIZE:900mmX900mmX1900mm

Installation instructions



Ref	Description	Qty
A2	TOP AND BOTTOM RAILS	2
B2	WALL PROFILE	2
C2	SIDE PANEL	2
D2	RIGHT HAND DOOR	1
E2	LEFT HAND DOOR	1
F2	VERTICAL SEAL	4
G2	MAGNETIC DOOR SEAL	2

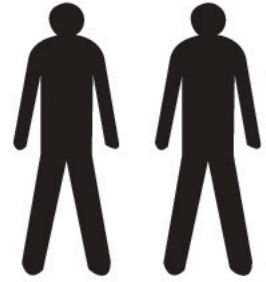
Ref	Description	Illustration	Qty
A3	handle		2
B3	top roller		4
C3	bottom roller		4
E3	glass clip		8
F3	stainless steel screws: 4*25		8
I3	expandable wall plug		8
J3	Drill bit 3mm		1
K	stainless steel screws: 4*12		8

Installation instructions

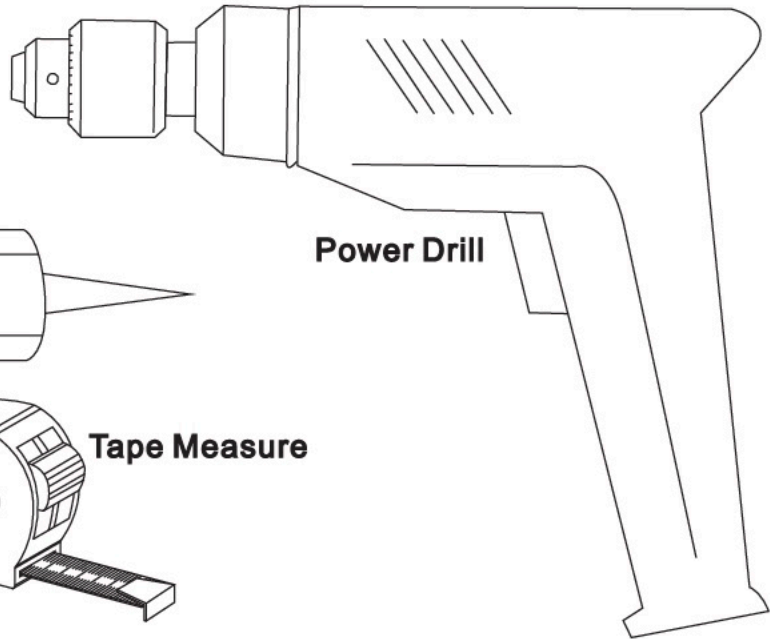
TOOLS REQUIRED(NOT SUPPLIED)

When you're ready to start, make sure that you have the parts listed and the following tools to hand, plenty of space and a clean dry area for assembly.

Two people are needed. Please note: although these instructions are comprehensive, we always recommend that a technically competent installer should undertake installation.

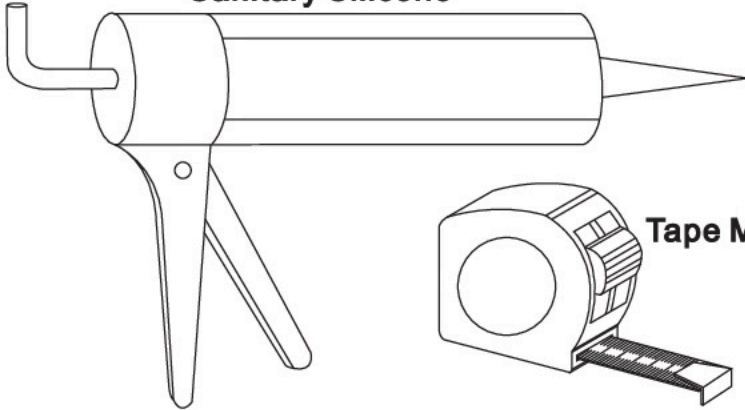


**Drill Bit to suit wall construction
5. 5mm**

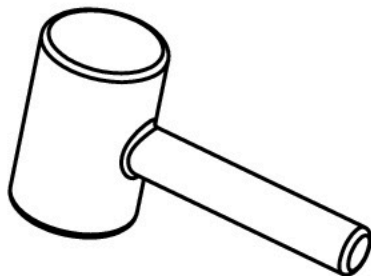
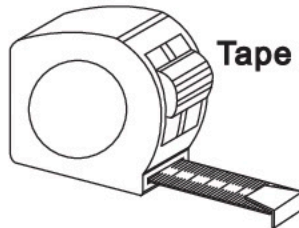


Power Drill

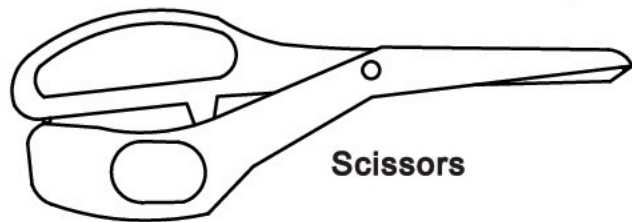
Sanitary Silicone



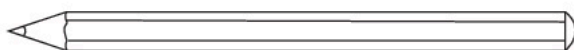
Tape Measure



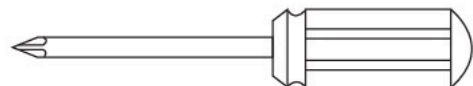
Rubber Mallet



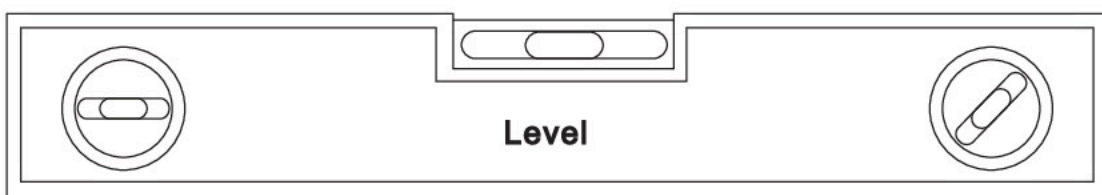
Scissors



Pencil



Magnetic Crosshead Screwdriver



Level

PRE-INSTALLATION AND TECHNICAL REQUIREMENTS

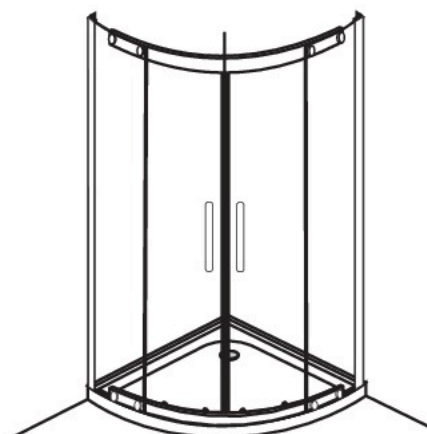
- All dimensions are shown in millimeters, except where otherwise indicated.
- Ensure that the enclosure set is fitted to a level floor and vertical wall surface
- This instruction manual is applicable for both pre-tiled wall and plain walls. 10mm distance is reserved for tiling of plain walls..
- Please note: The wall fixings included with this product are suitable for solid walls only. Plasterboard or stud walls may require specialist fixings (not supplied).
- Due to the possibility of residual spray, the area around the outside of the shower tray should be tiled, or made otherwise water resistant.
- For domestic use only
- Ensure that the mounting surface is sound, clean and dry before the enclosure is installed
- Always ensure that the product is securely installed before use
- The thickness of the tiles used will affect the overall position of the enclosure on the shower tray
- When working near a bath or shower tray ensure that the waste is covered so that small parts do not fall down it
- When drilling through ceramic tiles use a specialist drill bit
- CAUTION: DO NOT over tighten the fixings otherwise it may damage the product
- Do not strike the glass with hard or pointed items
- Do not attempt to cut the glass
- IMPORTANT - RETAIN THIS INFORMATION FOR FUTURE REFERENCE : READ CAREFULLY
- WARNING: Failure to follow these instructions may result in personal injury, damage to the product and property damage

IMPORTANT SAFETY NOTES

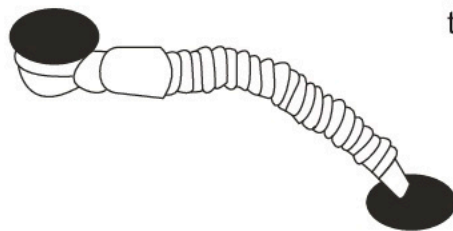
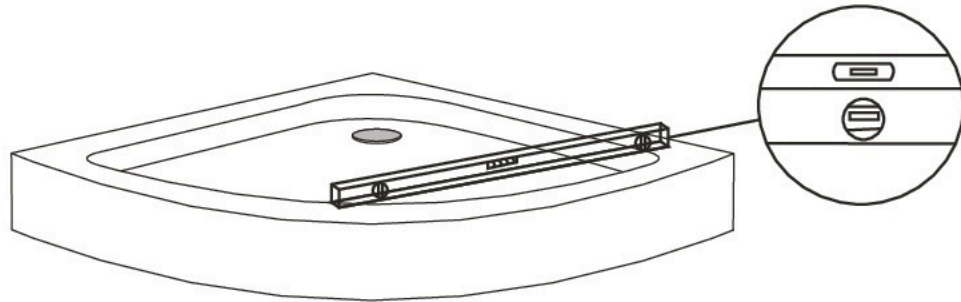
- THE GLASS IS RETAINED IN THE PROFILES TO A DEPTH OF 10MM. under no circumstance should it be attempted to drill through the profiles in this region. Damage to the glass and injury may occur
- Please handle all glass with care, avoiding knocks and shock loading to all sides and edges. Safety glass cannot be reworked.
- Care should be taken when drilling into walls to avoid hidden pipes or electrical cables.

AFTERCARE INSTRUCTIONS

- Soap and water will be adequate to clean the glass – a glass cleaner can be used if required. osit is allowed to build up it becomes increasingly difficult to remove and looks unsightly. Regular cleaning will minimise this effect.
- Regularly check moving parts such as rollers and hinges to ensure they are secure and adjusted correctly.
- Tighten and adjust where required. Also check all sealed joints to ensure seal has not deteriorated. Re-seal if required.

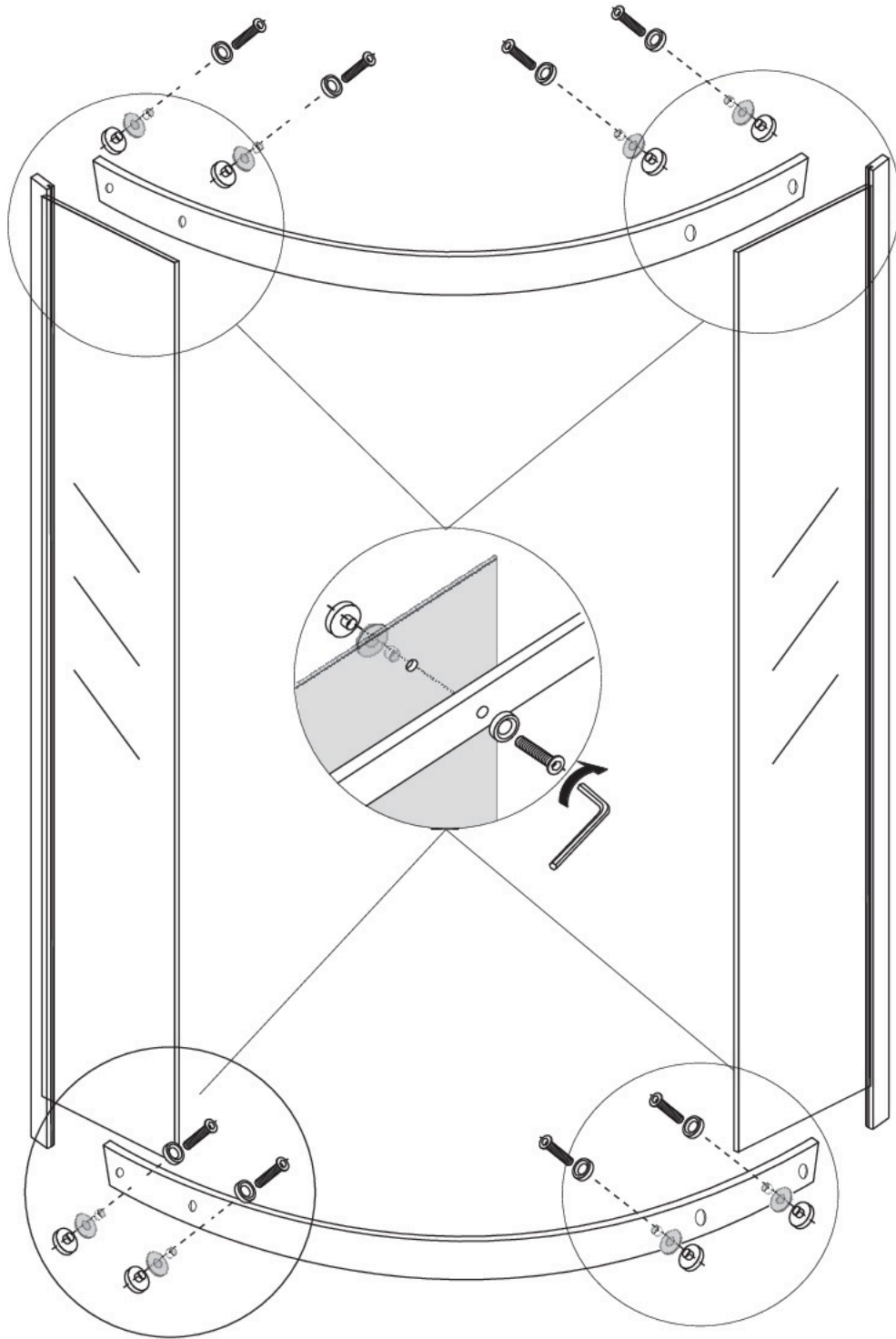


Installation instructions

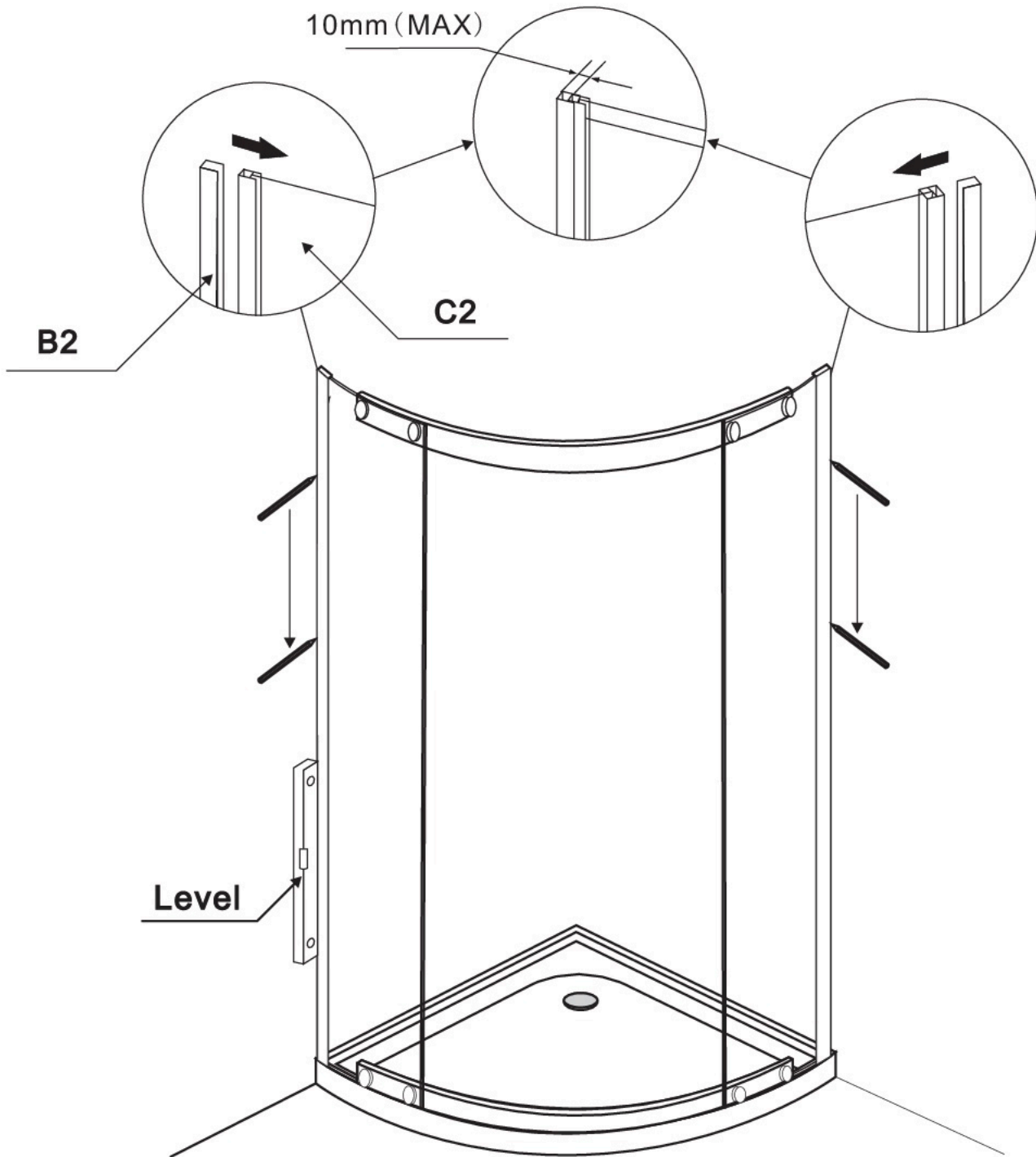


Lift the rear part of bottom basin, and then insert one end of the pipe into the drainage hole

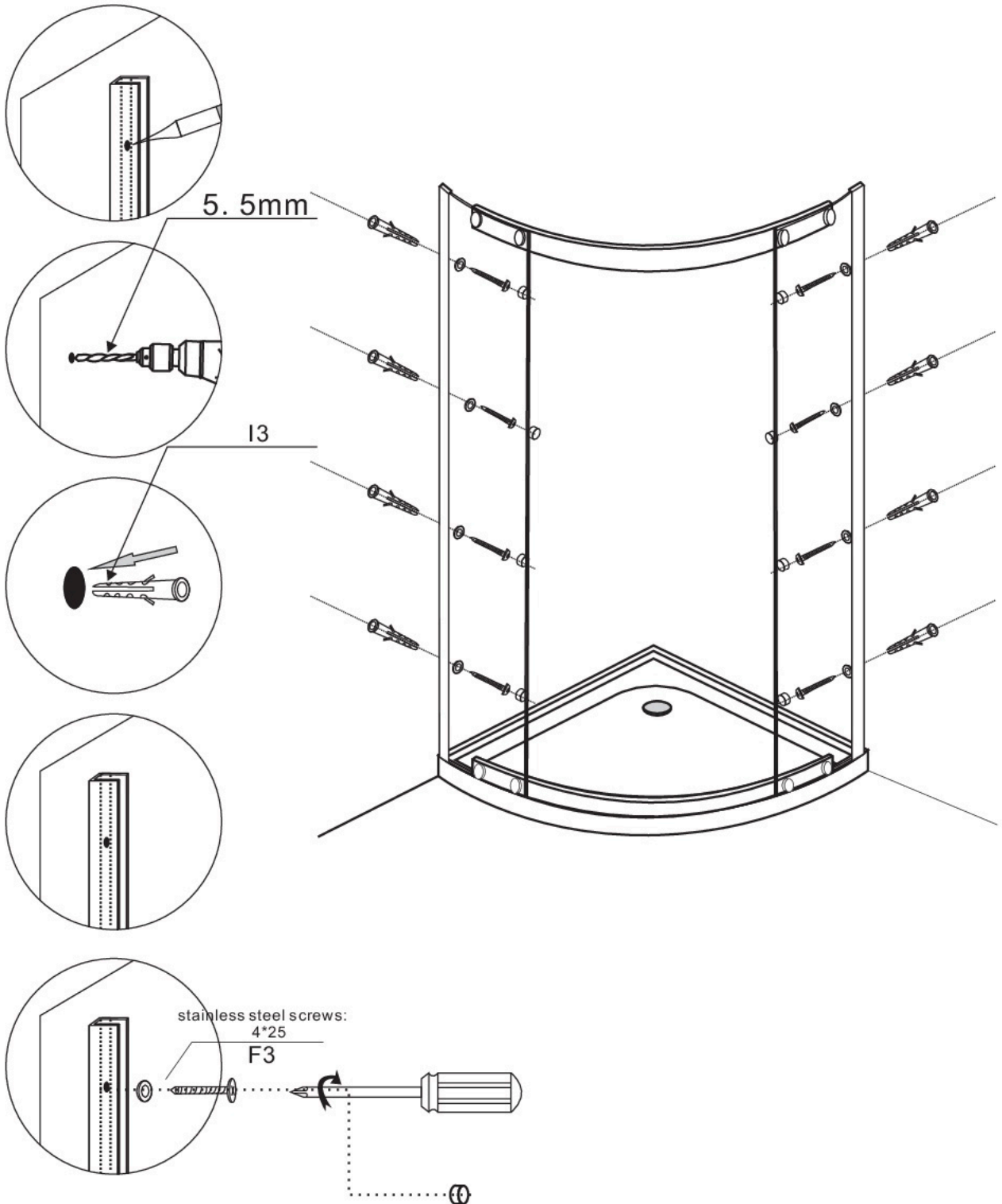
Installation instructions



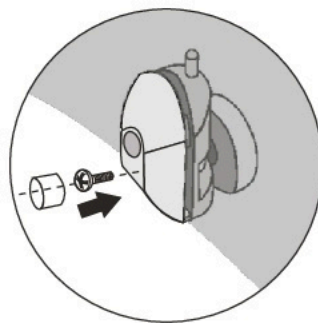
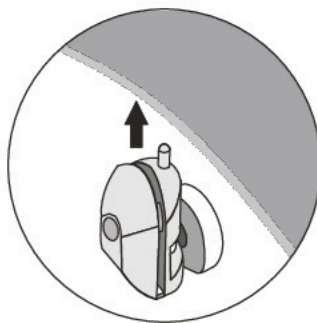
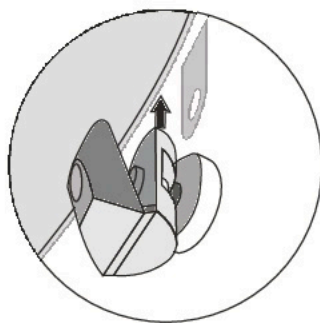
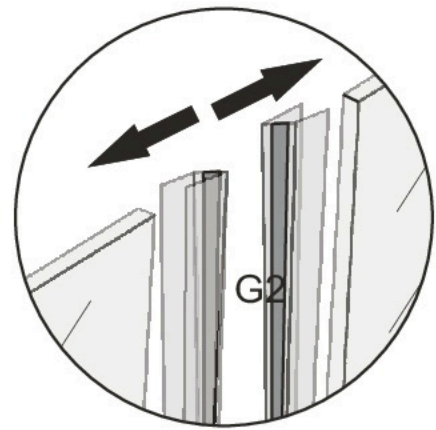
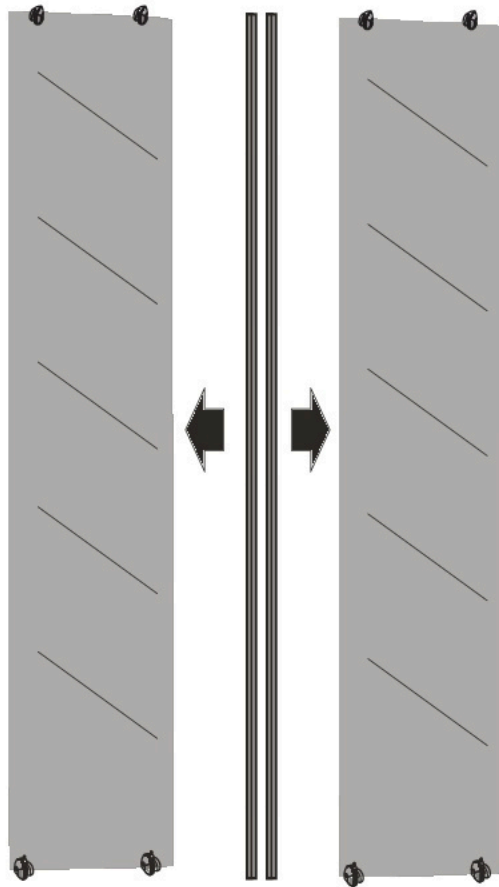
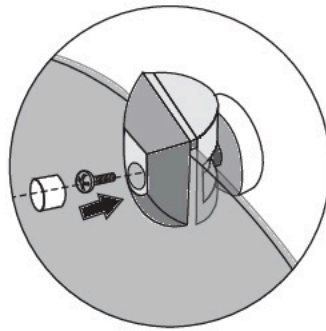
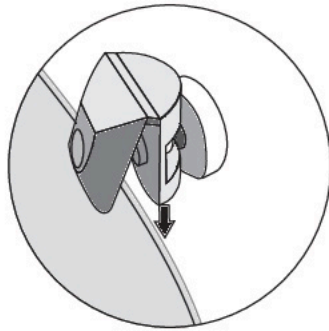
Installation instructions



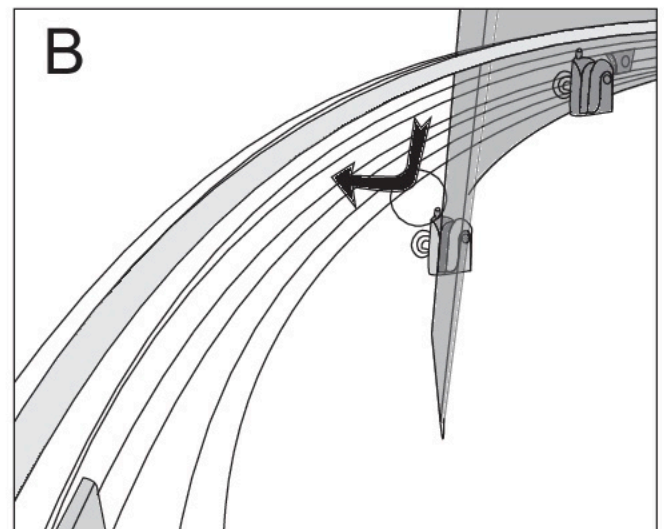
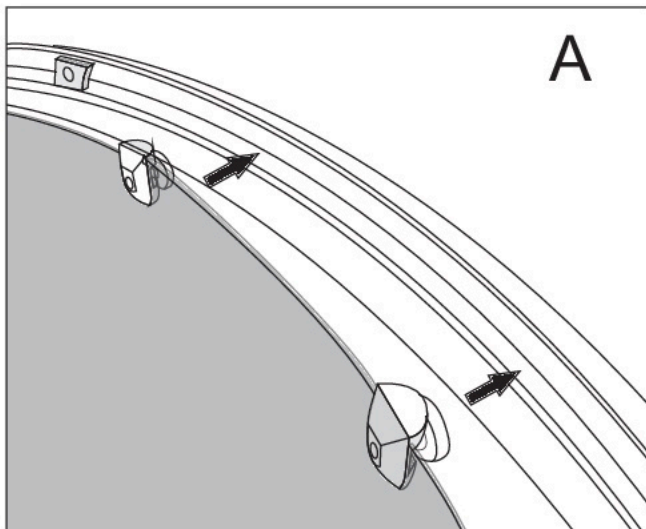
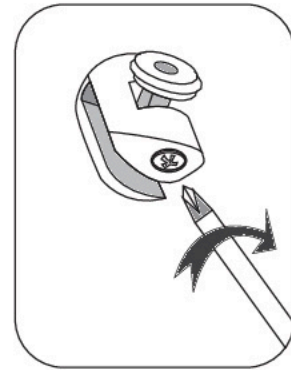
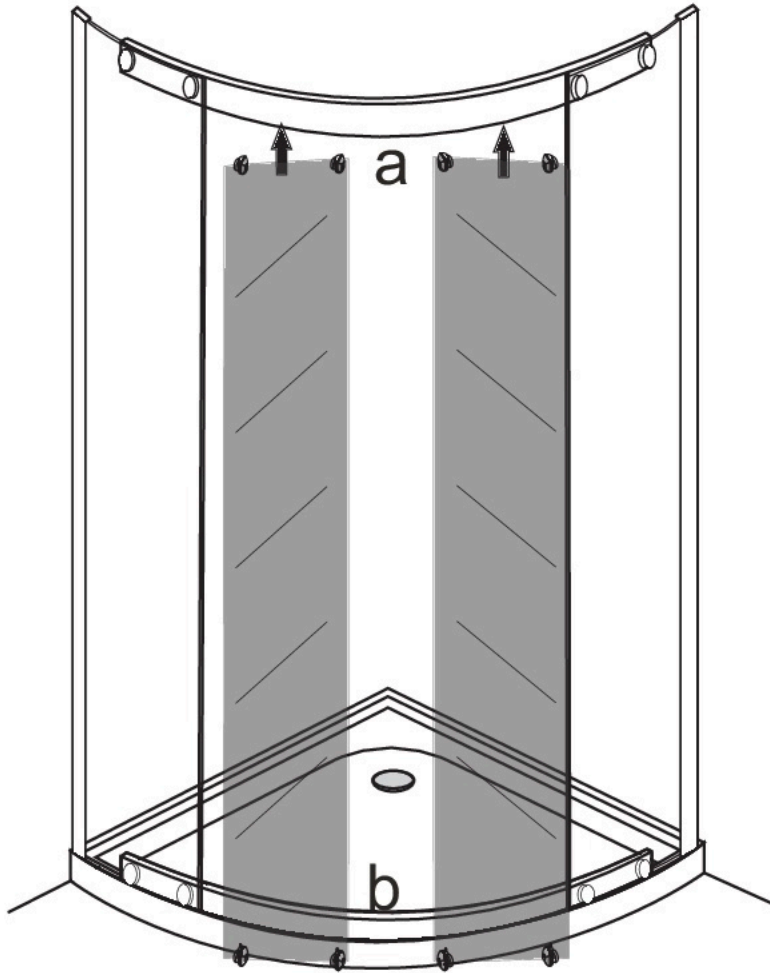
Installation instructions



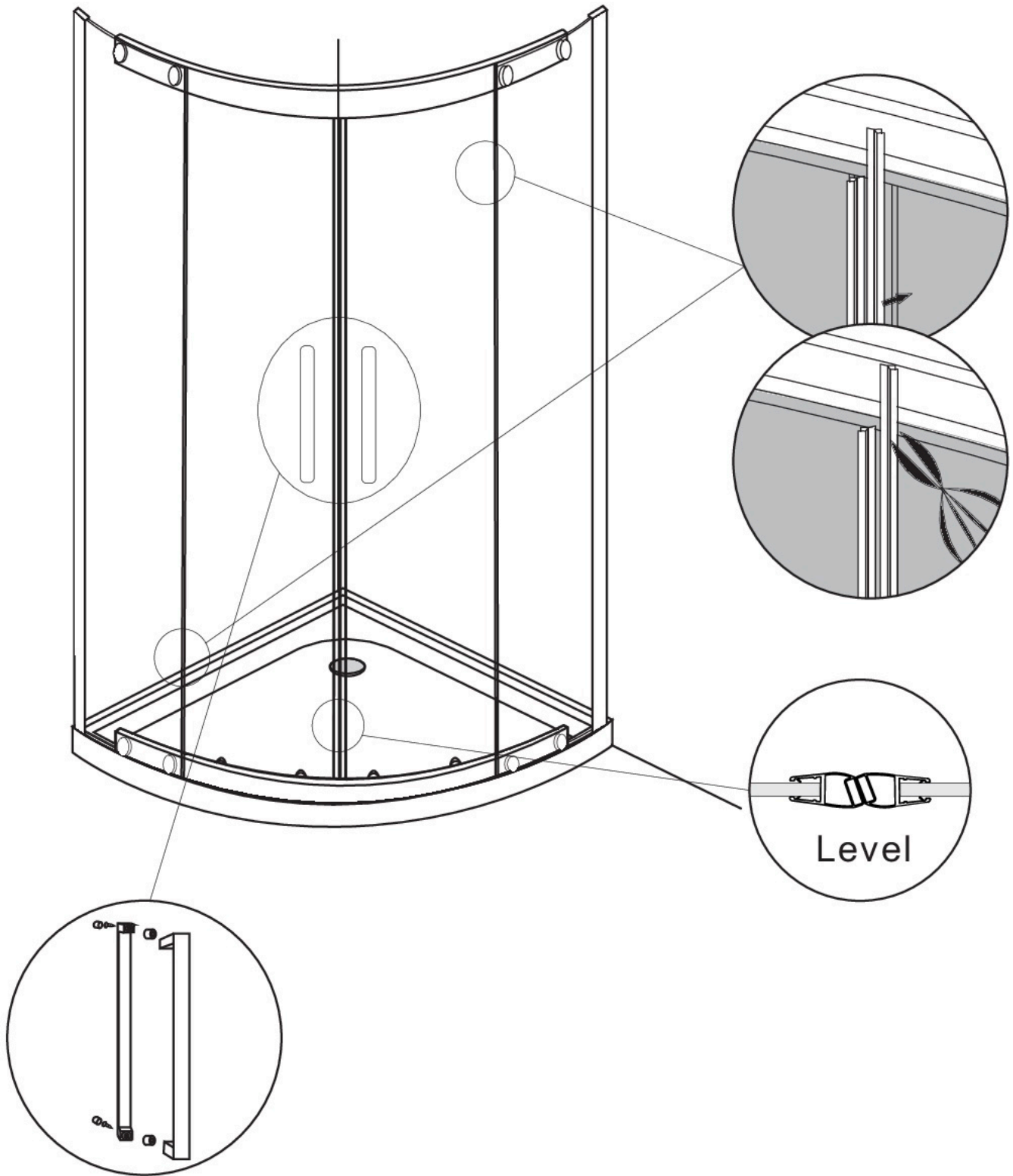
Installation instructions



Installation instructions



Installation instructions



Installation instructions

