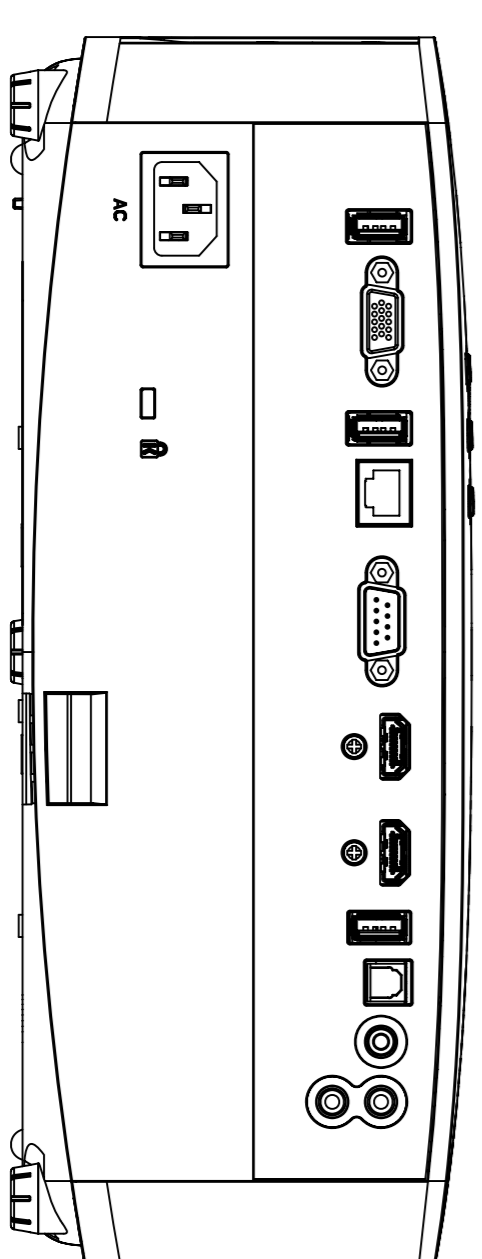
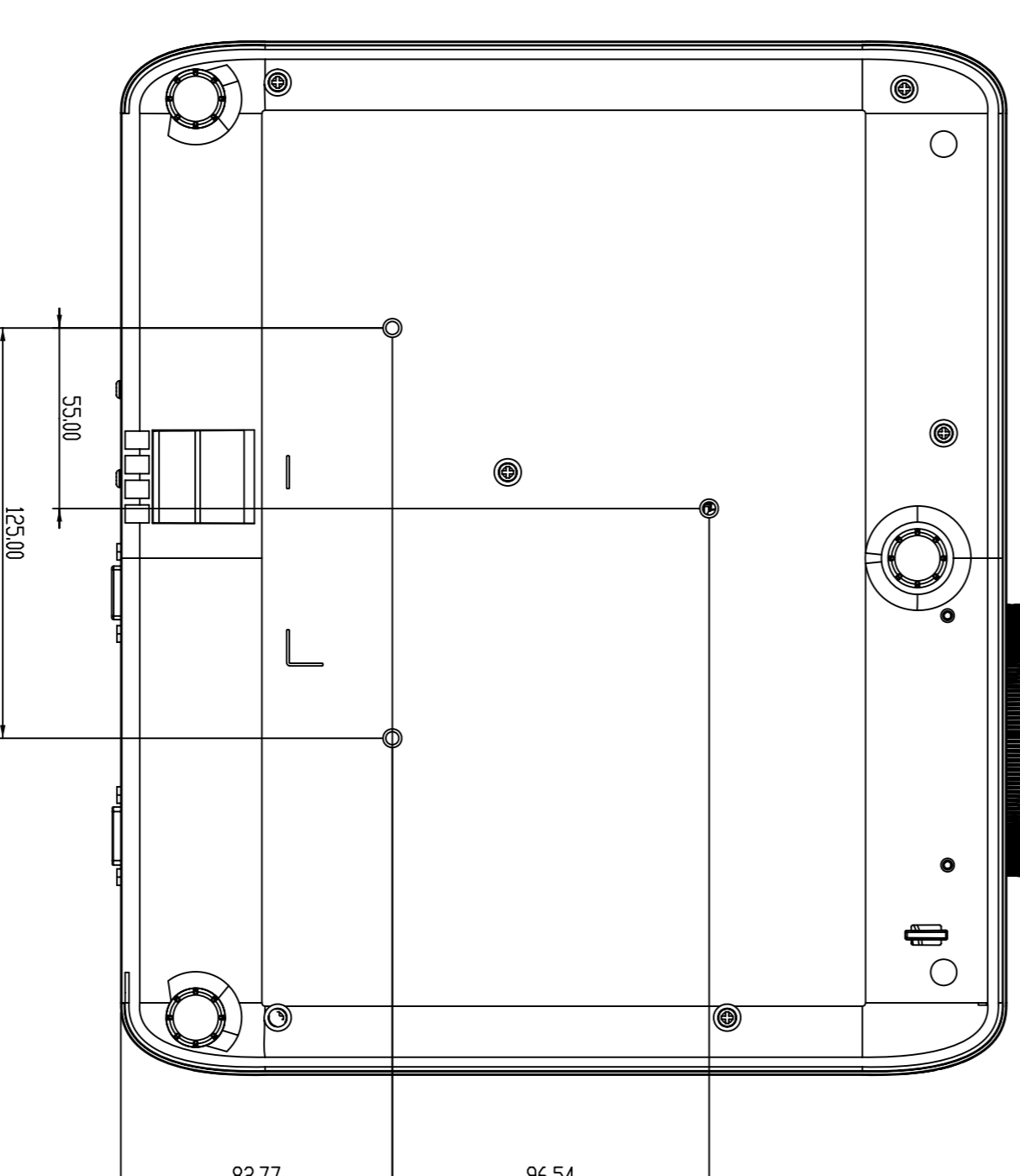


278.11



Rev.	Number	Date	Description	ENG. NO.	DESIGNER	DATE
X	30-100	14.3	2000-08	112		
	100-300	14.5	ANGLE	143		

DRAWN	SHOWN	REMARK	DATE
ENG.	SHOWN	REMARK	DATE
CHK.	ENG.	REMARK	DATE
APPD.	ENG.	REMARK	DATE

LIMITS	UNLESS OTHERWISE NOTED
1-6	143 100-100 143 143
6-30	142 100-100 142 142
30-100	143 100-100 143 143
100-300	145 100-100 145 145

SCALE	UNIT	MATERIAL	FINISH
1:1	mm		

PART NO.	DC	REV	SHEET
DC-75602001			1

DATE	REVISION
14.3	1

Dopotna