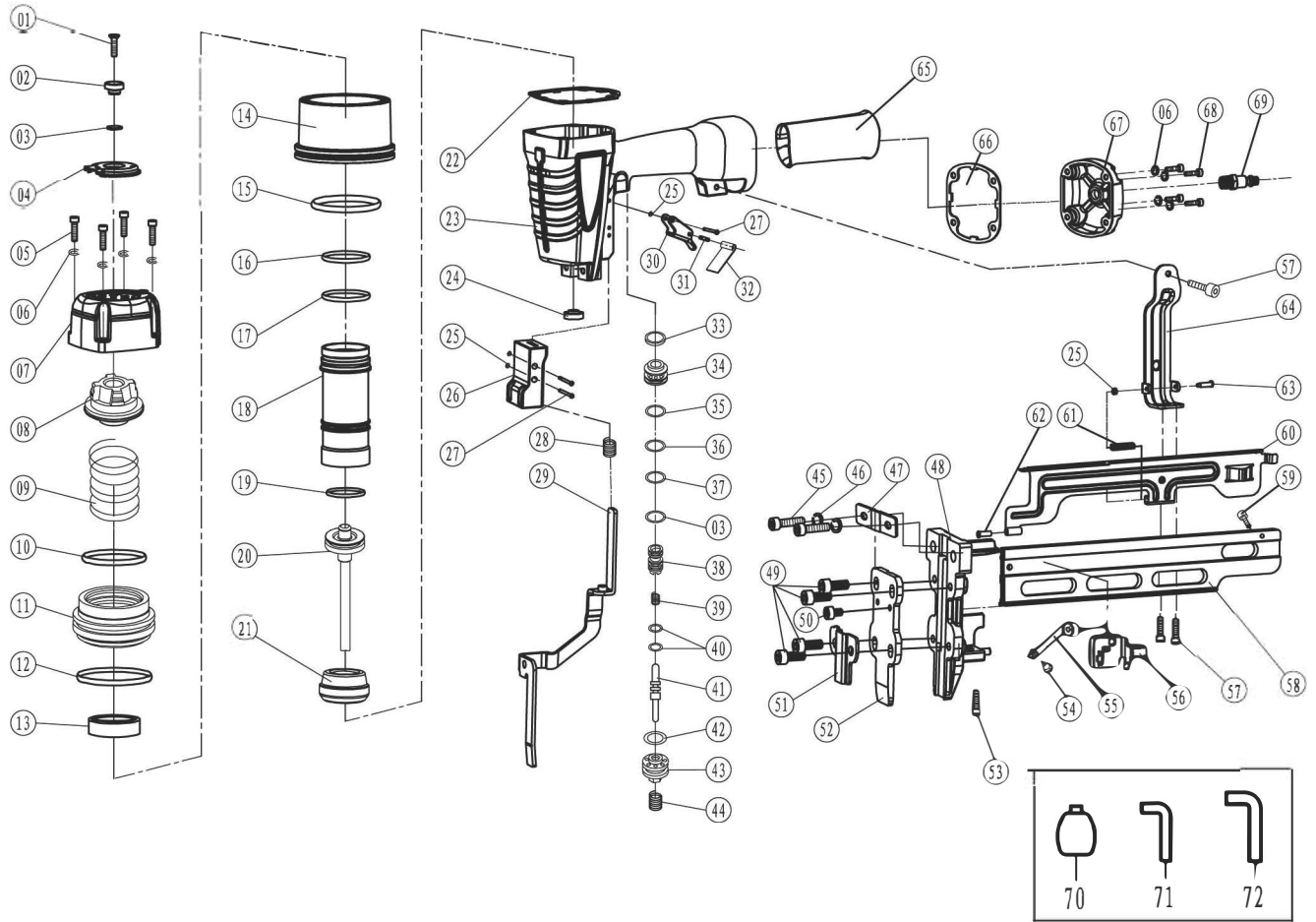


FROSP K-N851



No.	Figure number	Description	Qty.	No.	Figure number	Description	Qty.	No.	Figure number	Description	Qty.	No.	Figure number	Description	Qty.
01	03. 04. 05. 136	Hex bolt	1	22	03. 04. 07. 156	Cylinder washer	1	43	03. 04. 32. 056	Switch seat	1	64	03. 04. 12. 215	Fixed seat	1
02	03. 04. 29. 234	Bearing	1	23	03. 04. 26. 257	Gun body	1	44	03. 04. 36. 006	Trigger handle spring	1	65	03. 04. 29. 126	Rubber handle Grip	1
03	03. 04. 01. 060	O-ring 9X1.8	2	24	03. 04. 07. 157	Oriented washer	1	45	03. 04. 05. 048	Hex bolt	2	66	03. 04. 07. 158	End cap washer	1
04	03. 04. 21. 519	Exhaust cap	6	25	03. 04. 01. 027	O-ring 1.7x2	4	46	03. 04. 05. 265	Spring washer	2	67	03. 04. 11. 099	End cap	1
05	03. 04. 05. 034	Hex bolt	6	26	03. 04. 32. 173	Oriented seat	1	47	03. 04. 02. 170	Plate	1	68	03. 04. 05. 032	Hex bolt	4
06	03. 04. 05. 263-03	Spring washer	8	27	03. 04. 31. 145	Trigger pin	3	48	03. 04. 08. 206	Nose	1	69		Air coupler	1
07	03. 04. 28. 119	Cylinder cap	1	28	03. 04. 36. 311	Safety spring	1	49	03. 04. 05. 028	Hex bolt	4	accessories			
08	03. 04. 32. 172	Compressed spring seat	1	29	03. 04. 16. 139	Safety assembly	1	50	03. 04. 05. 078	Hex bolt	1	70	05. 04. 24. 035	oiler	1
09	03. 04. 36. 310	Compressed spring	1	30	03. 04. 03. 017-03	Trigger	1	51	03. 04. 04. 169	Safety cover	1	71	05. 04. 21. 003	wrench M5	1
10	03. 04. 01. 150	O-ring 38.7x2.65	1	31	03. 04. 05. 191	Pin 3x16	1	52	03. 04. 02. 151	Fixed plate	2	72	05. 04. 21. 004	wrench M6	1
11	03. 04. 20. 053	Valve	1	32	03. 04. 02. 015	Safety stand	1	53	03. 04. 05. 030	Hex bolt	1				
12	03. 04. 01. 174	O-ring 48.7X2.65	1	33	03. 04. 19. 096	Switch seal ring	1	54	03. 04. 40. 427	Limit bolt	1				
13	03. 04. 19. 198	Cylinder seal ring	1	34	03. 04. 32. 105	Valve seat	1	55	03. 04. 22. 043	Spring roller	1				
14	03. 04. 19. 230	Lining ring	1	35	03. 04. 01. 082	O-ring 16x1.6	1	56	03. 04. 09. 182	Pusher	1				
15	03. 04. 01. 189	O-ring 57.5x3	1	36	03. 04. 01. 047	O-ring 6.1x1.8	1	57	03. 04. 05. 027	Hex bolt	3				
16	03. 04. 01. 157	O-ring 41.7x3	1	37	03. 04. 01. 048	O-ring 6.4x2	1	58	03. 04. 18. 093	Magazine	1				
17	03. 04. 01. 171	O-ring 46.2x3.55	1	38	03. 04. 29. 005	Valve case	1	59	03. 04. 05. 025	Hex bolt	1				
18	03. 04. 27. 142	Cylinder	1	39	03. 04. 34. 043	Switch spring	1	60	03. 04. 02. 171	Stand	1				
19	03. 04. 01. 138	O-ring 35.5x3.55	1	40	03. 04. 34. 034	O-ring 2.5x1.5	2	61	03. 04. 06. 143	Plate	1				
20	03. 04. 39. 01. 239	Piston-Driver	1	41	03. 04. 15. 045	Switch Lever	1	62	03. 04. 06. 144	Stand bumper	1				
21	03. 04. 06. 025	Bumper	1	42	03. 04. 01. 091	O-ring 18x2.65	1	63	03. 04. 31. 146	Stand pin	1				