

AKISAME 41

(LG/GM/IN)

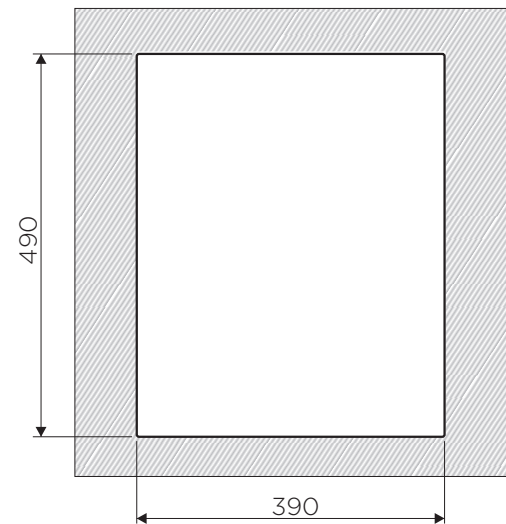
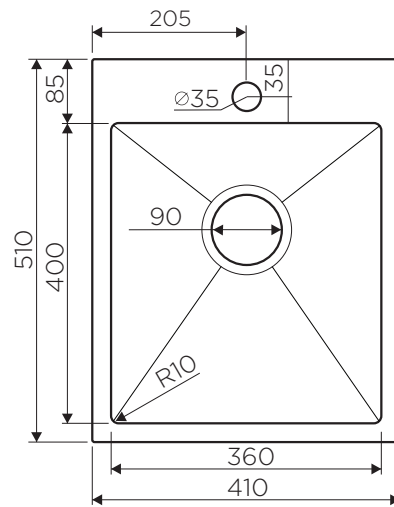
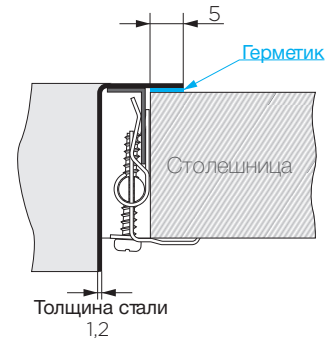
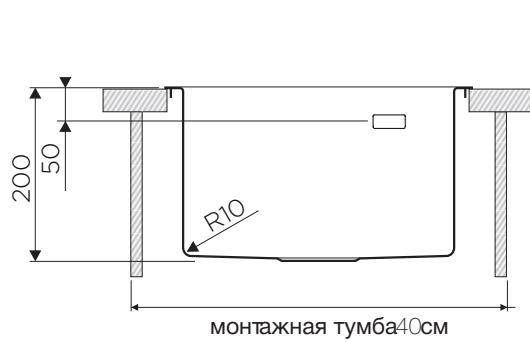
Stainless steel 304

Base 40

AKISAME 41-IN 4973056
 AKISAME 41-GM 4973094
 AKISAME 41-LG 4973080

Weight (kilogram) 4,65

Врезной монтаж



AKISAME 41

(LG/GM/IN)

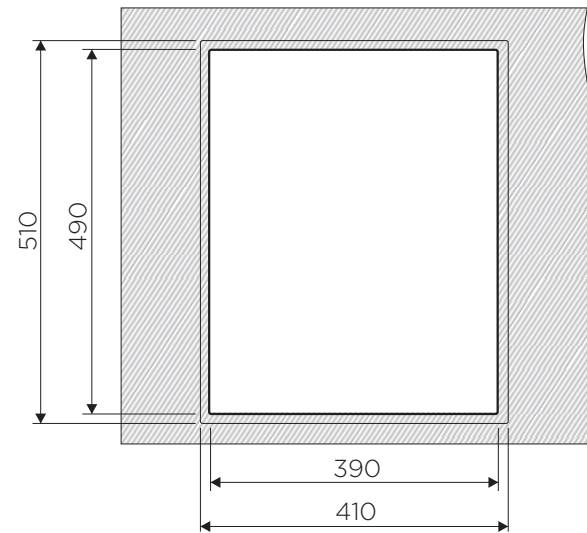
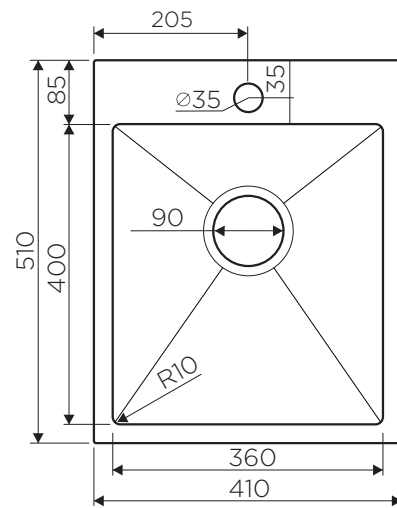
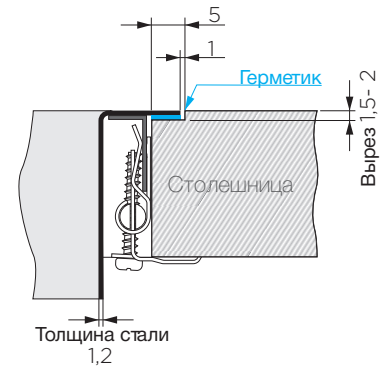
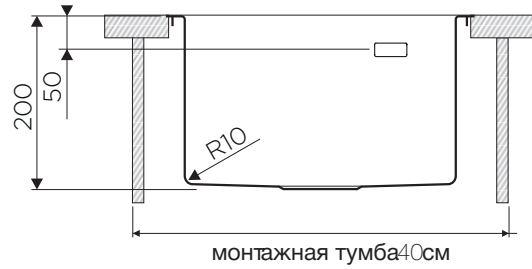
Stainless steel 304

Base 40

AKISAME 41-IN 4973056
AKISAME 41-GM 4973094
AKISAME 41-LG 4973080

Weight (kilogram) 4,65

Монтаж вровень со столешницей



AKISAME 41

(LG/GM/IN)

Stainless steel 304

Base 40

AKISAME 41-IN 4973056
 AKISAME 41-GM 4973094
 AKISAME 41-LG 4973080

Weight (kilogram) 4,65