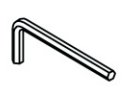


A



M5 x1

B



M6*35 x1

C



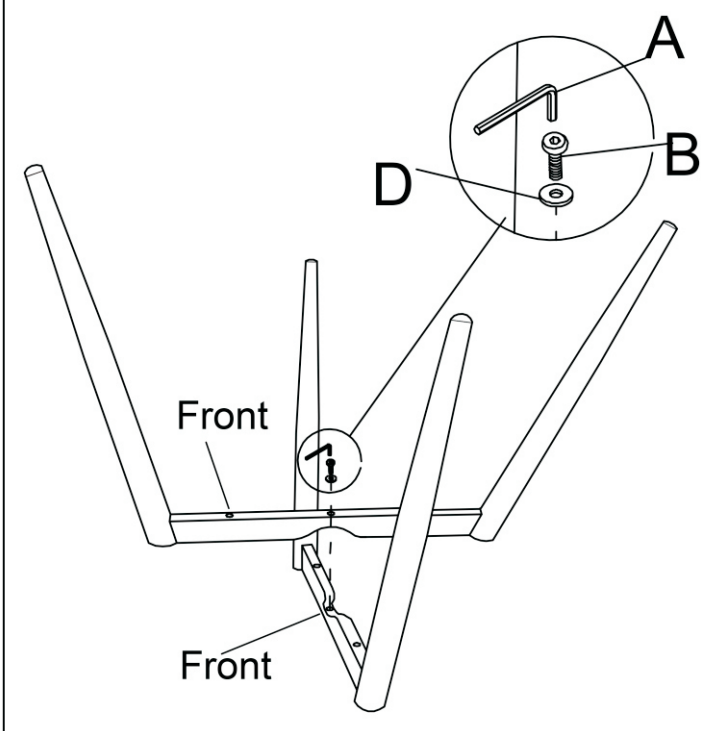
M6*45 x4

D

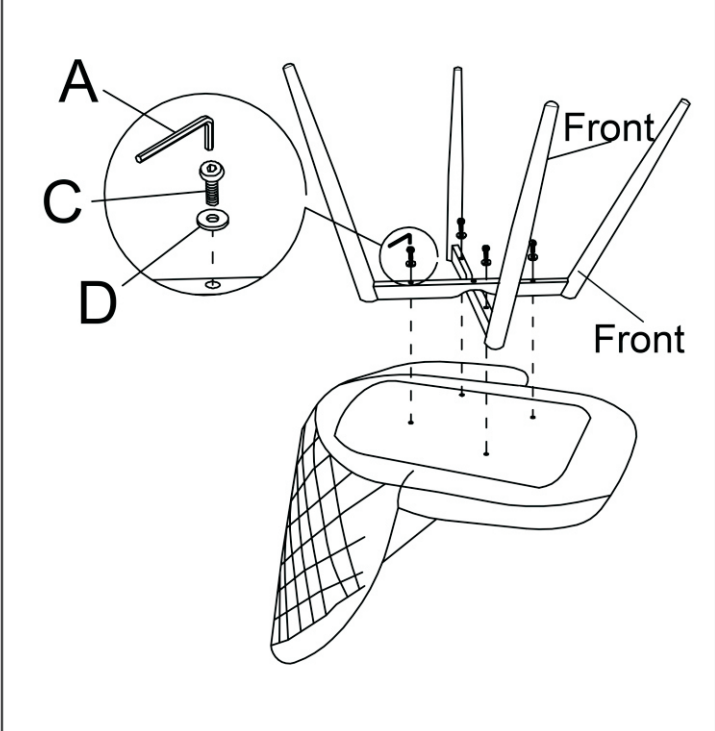


φ6*φ16 x5

1



2



3

