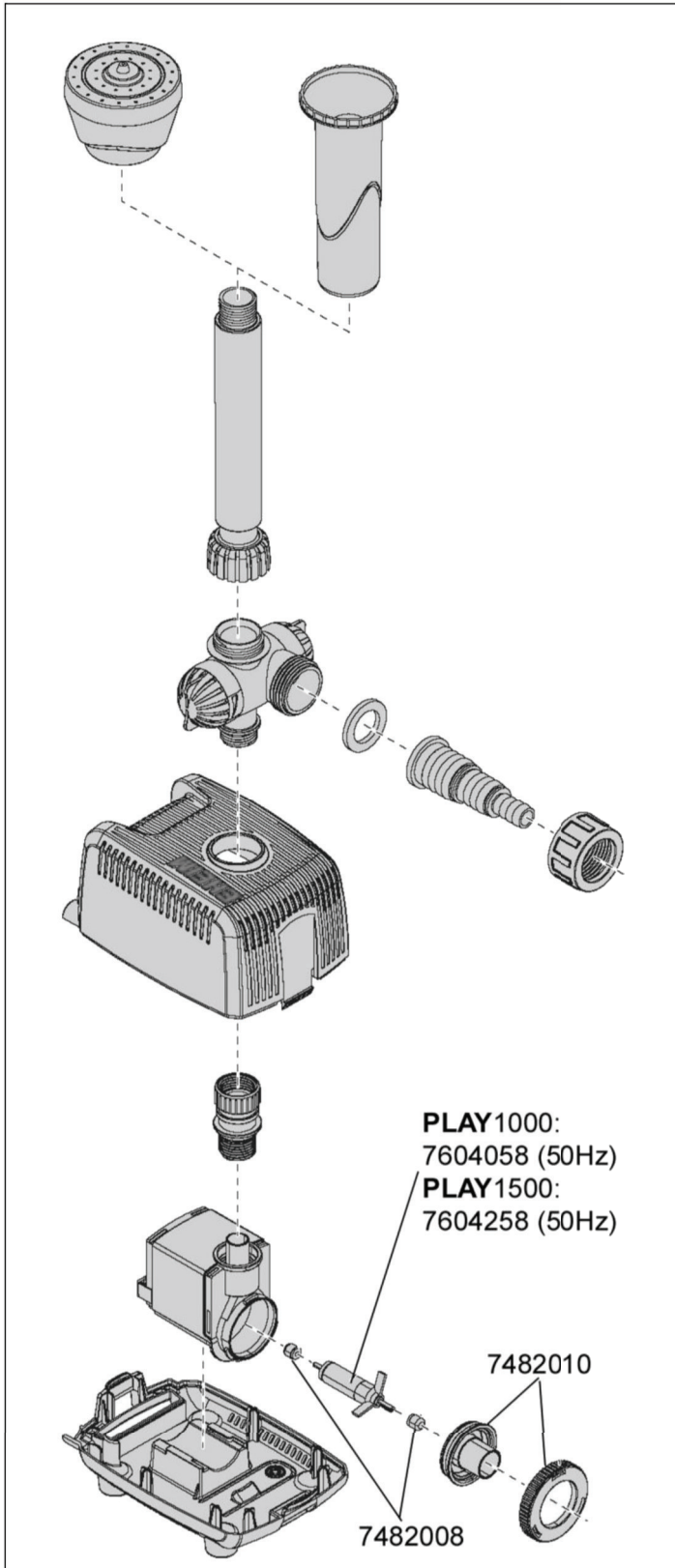


**5100 Water feature pump PLAY1000**

**5101 Water feature pump PLAY1500**



Spare parts. Subject to change without prior notice



Order no.	Spare part	5100/5101
7482008	Ceramic bush with dampening rubber (2 pieces)	
7482010	Pump cover with ceramic bush, sealing ring and locking ring	
7604058	Impeller (50Hz) with ceramic shaft for <b>PLAY1000</b> , type 5100	
7604258	Impeller (50Hz) with ceramic shaft for <b>PLAY1500</b> , type 5101	