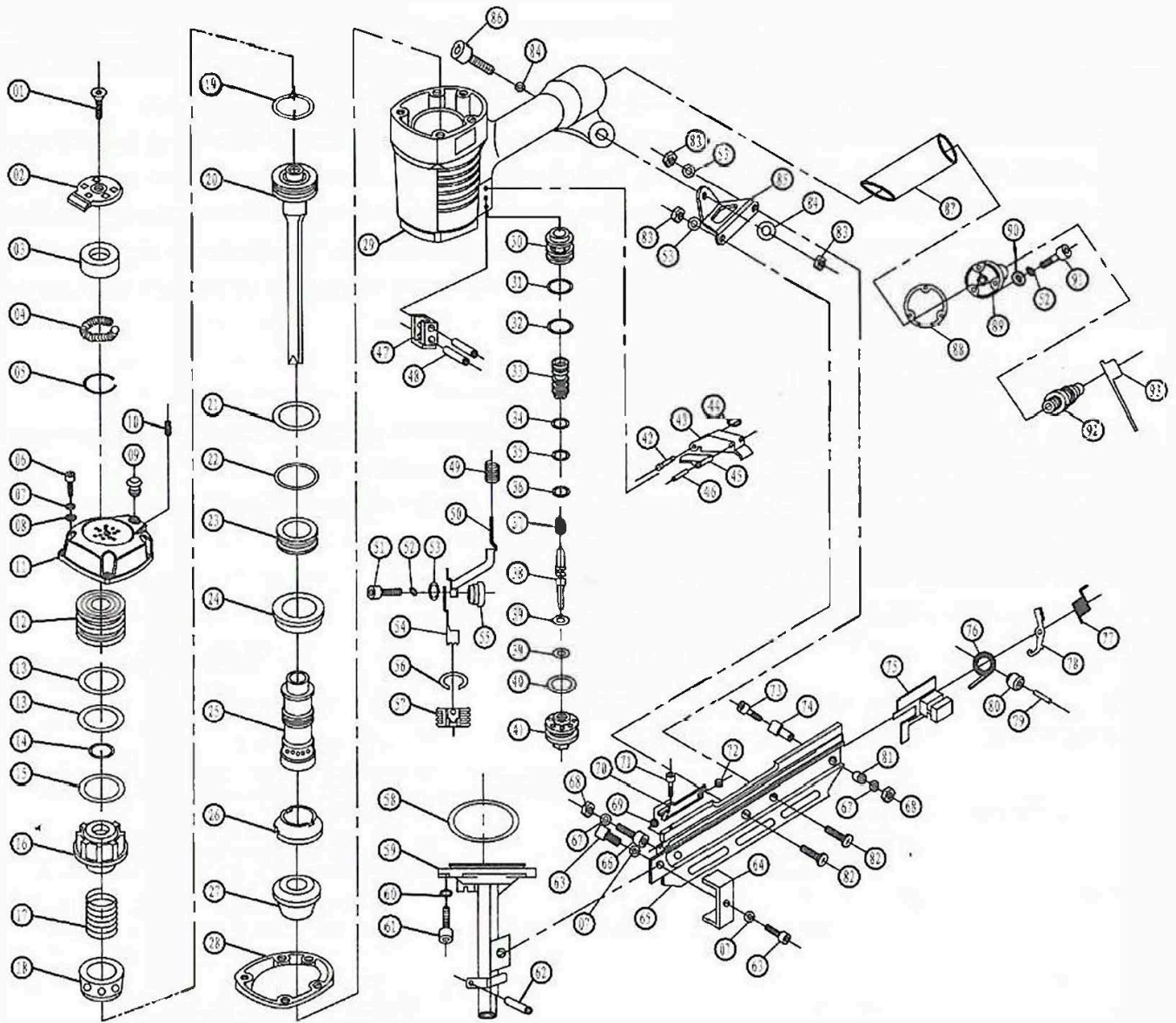


# Детализировка и лист запасных частей FROSP AF-9021C



No.	Description	Qty.	No.	Description	Qty.	No.	Description	Qty.	No.	Description	Qty.
01	Bolt M8×16	1	25	Cylinder	1	49	Compressed Spring	1	73	Bolt M4×42	1
02	Air Deflector	1	26	Bumper Outer Lane	1	50	Safety Yoke	1	74	Safety Pipe	1
03	Deflector Rubber	2	27	Bumper	1	51	Bolt M5×10	1	75	Pusher	1
04	Spring	1	28	Cylinder Washer	1	52	Spring Washer 5	4	76	Spring	1
05	Spring Wire	1	29	Gun Body	1	53	Flat Washer 5	3	77	Latch Spring	1
06	Bolt M6×20	4	30	Trigger Valve Seat	1	54	Safety Nose	1	78	Release Latch	1
07	Spring Washer 6	6	31	O-ring 15×2.65	3	55	Adj. Nut	1	79	Pin B4×25	1
08	Flat washer 6	4	32	O-ring 16×1.6	1	56	Copper Collar	2	80	Spring core	1
09	Cylinder Core	1	33	Trigger Valve Guide	1	57	Safety Nose Case	2	81	Safety Pipe Case	1
10	Bolt M5×5	1	34	O-ring 6.2×1.8	1	58	O-ring 59×1.8	1	82	Bolt M5×14	2
11	Cylinder Cover	1	35	O-ring 6.4×2	1	59	Drive Guide	1	83	Nut M5	3
12	Head Valve Assembly	1	36	O-ring 9×1.8	1	60	Spring Washer 8	4	84	Washer 5	2
13	O-ring 56×3.1	2	37	Switch Spring	1	61	Bolt M8×25	4	85	Fixed Seat	1
14	O-ring 41.7×3	1	38	Switch Pipe	1	62	Pin 3×18	1	86	Bolt M5×25	1
15	Spring Washer	1	39	O-ring 2.4×1.6	2	63	Bolt M6×12	2	87	Rubber Handle Case	1
16	Compressed Spring	1	40	O-ring 18×2.65	1	64	Lock Spacer	1	88	End Cap Washer	1
17	Spring Seat	1	41	Switch Seat	2	65	Magazine	1	89	End Cap	1
18	Collar	1	42	Pin 3×25	1	66	Bolt M4×8	1	90	Flat Washer C5	3
19	O-ring 42.5×5	1	43	Trigger	1	67	Washer 4	2	91	Bolt M5×20	3
20	Main Piston	1	44	O-ring 1.7×2	1	68	Nut M4	2	92	Air Plug	1
21	O-ring 57.5×3	1	45	Safety Spacer	1	69	Plate Case	1	93	Air Plug Case	1
22	O-ring 88×3	1	46	Pin 3×16	1	70	Drive Nail Bar	1			
23	Fixed Ring	1	47	Safety Guide	1	71	Bolt M3×4	1			
24	Sealing Ring	1	48	Pin 3×26	2	72	Plate	2			