



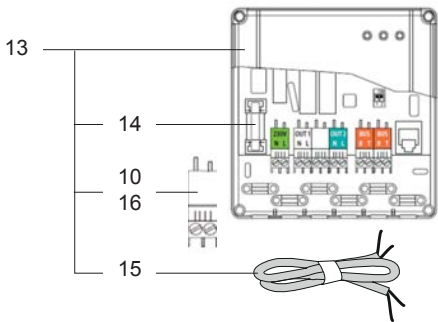
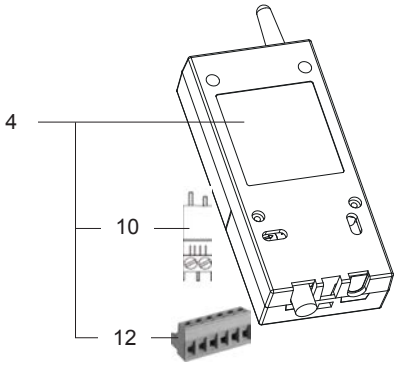
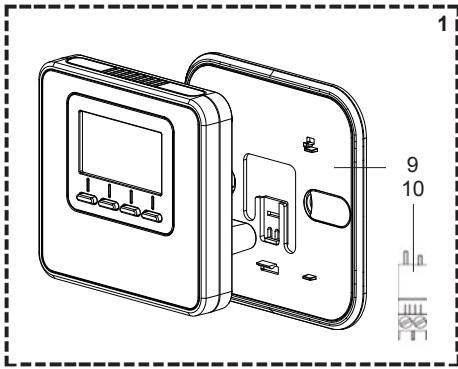
SPARE PARTS EXPLODED VIEW
 ACCESSORIES FOR CONTROLLERS
 Model
THERMOREGULATION ONE/ADVANCE

R8217914-02 - 12/12/2019

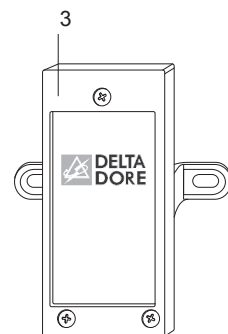
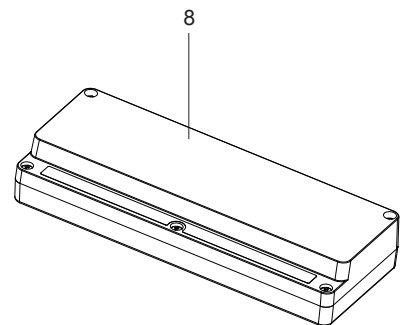
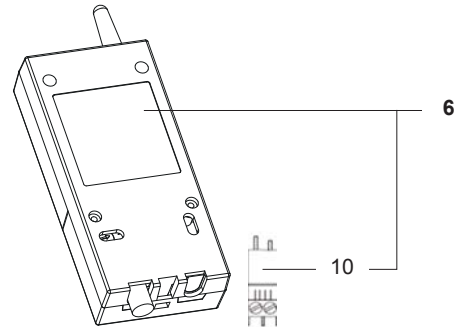
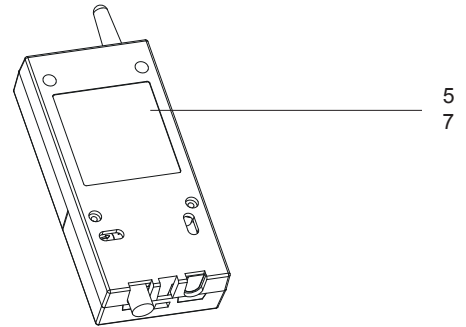
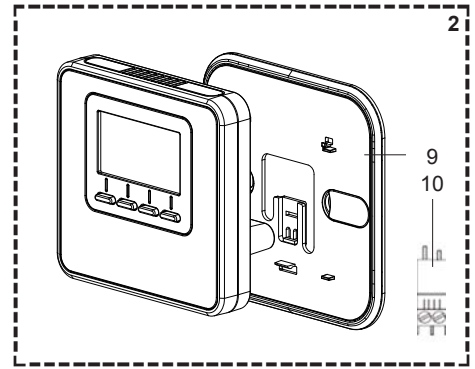
1	3319116	CUBE ROOM SENSOR WIRED	07-2017	-
2	3319477	CUBE WIRED WHITE	07-2017	-
3	3319117	ZONE CONTROL EVO WIRED	07-2017	-
4	3319118	CUBE ROOM SENSOR WIRELESS EU	07-2017	-
5	3319478	CUBE WHITE RF	07-2017	-
6	3319119	ZONE CONTROL EVO WIRELESS	07-2017	-
7	3319120	WIRELESS - EBUS2 GATEWAY EU	07-2017	-
8	3319121	KIT MULTI-ZONE WIRELESS 6 OUPUTS EU	07-2017	-
9	3319122	KIT MULTI-ZONE WIRELESS 2 OUPUTS EU	07-2017	-
10	3319091	WIRELESS EXTERNAL SENSOR EU	07-2017	-
11	3319093	WIRELESS - ANALOGIC GATEWAY EU	07-2017	-
12	3319098	WIRELESS REPEATER EU	07-2017	-
13	3319130	KIT MULTI-ZONE WIRED 2 OUPUTS	07-2017	-
14	3319126	CUBE S NET	09-2017	-
15	3319476	CUBE S NET WHITE	09-2017	-
16	3319128	SMART CONTROL LINK	09-2018	-

Col	Reference	Model type	Begin	End
-----	-----------	------------	-------	-----

WIRED

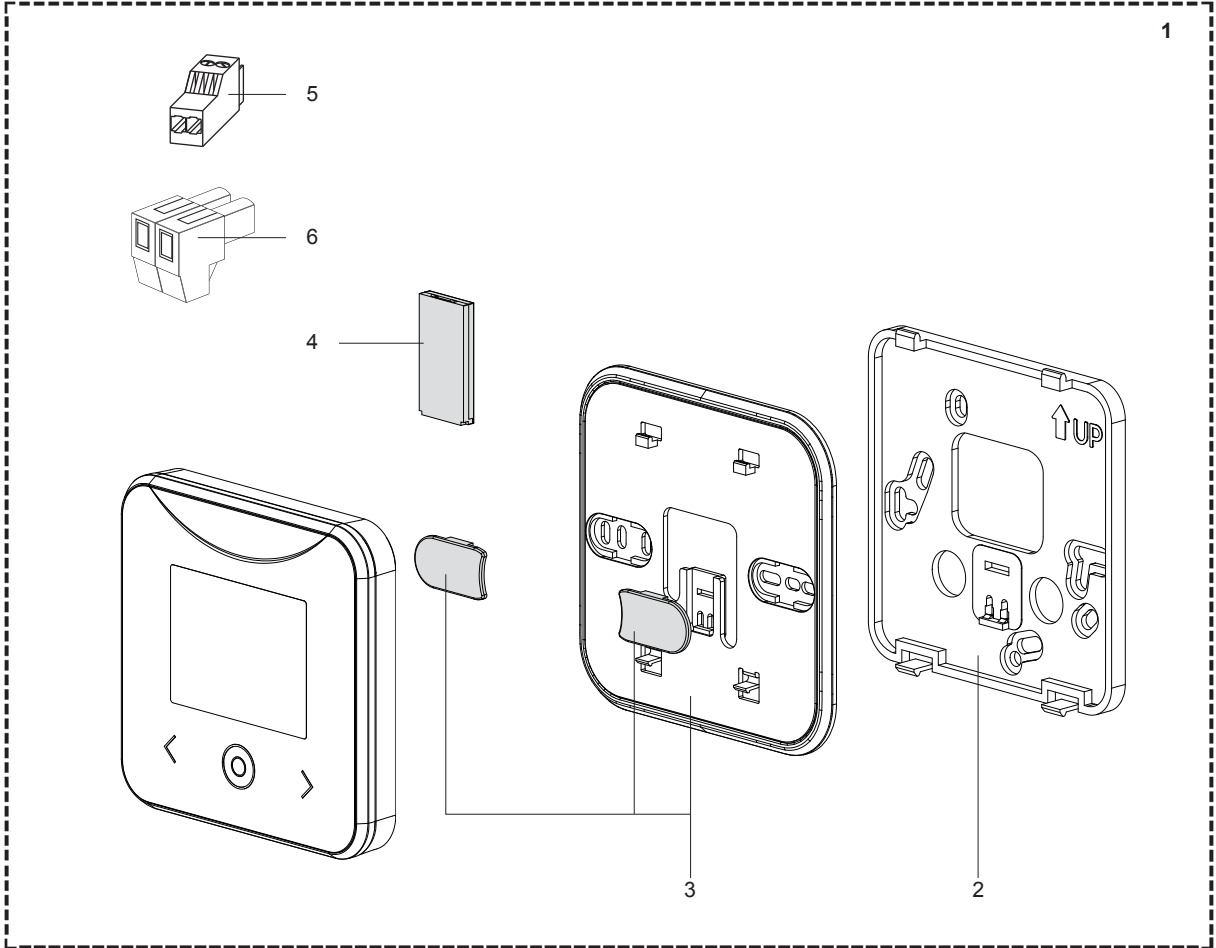


WIRELESS



☉⇒	Description	Manf. Pt. N	Type																		
				1	2	3	4	5	6	7	8	9	10	11	12	13	14	15	16	17	18
0001	CUBE WIRED (AR BLACK)	65116720-01		●																	
	CUBE WIRED (AR WHITE)	65119814			●																
	ROOM SENSOR WIRED CM	65116721				●															
0002	CUBE RF (AR BLACK)	65116722					●														
	CUBE RF (AR WHITE)	65119815						●													
	ROOM SENSOR WIRELESS CM	65116723							●												
0003	WIRELESS EXTERNAL SENSOR	65116728									●										
0004	WIRELESS - ANALOGIC GATEWAY	65116729										●									
0005	WIRELESS REPEATER EU	65116730-01											●								
0006	EBUS2 GATEWAY (03.03.04)	65118170							●												
0007	KIT MULTI-ZONE RF 2 OUTPUTS	65116726								●											
0008	KIT MULTI-ZONE RF 6 OUTPUTS	65116725									●										
0009	WALL PLATE (BLACK)	65116731		●			●														
	WALL PLATE (WHITE)	65116732			●	●		●	●												
0010	CONNECTOR 2P	65111933		●	●	●	●	●	●			●		●							
0012	STELVIO CONNECTOR CPF 5/2 NE (SE)	65116733										●			●						
0013	KIT MULTIFUNC+ZONE	65116727													●	●					
0014	FUSE 5X20 RIT. 2 A 250V	65112137													●	●					
0015	CABLE SUPPLY REMOTE	65117864													●	●					
0016	LUMBERG CONNECTOR 3611 02 F65 K01 ME08	65116736													●	●					

NET



LIST OF THE ABBREVIATIONS

HW	: Hot water.
CW	: Cold water.
C	: Ceramic resistance (normal heating).
Ca	: Ceramic resistance (accelerated heating)
TP	: Immersion heater.
1F	: With fittings.
2F	: Without fittings.
3F	: With fittings and another outlet connection.
AMI	: With mixing valve.
SMI	: Without mixing valve.
PUISS	: Power of th appliance.
PN	: Appliance with normal pression.
LP	: Appliance with low pression.
PV	: Appliance with variable power.
PF	: Appliance with fixed power.

The indications mentioned on the prices, commercial or technical literature and the scheme are written for your guidance and are available at a given time. The CONSTRUCTOR retains the power to modify the presentation, the form, the size, or the conception or the material of the products.
