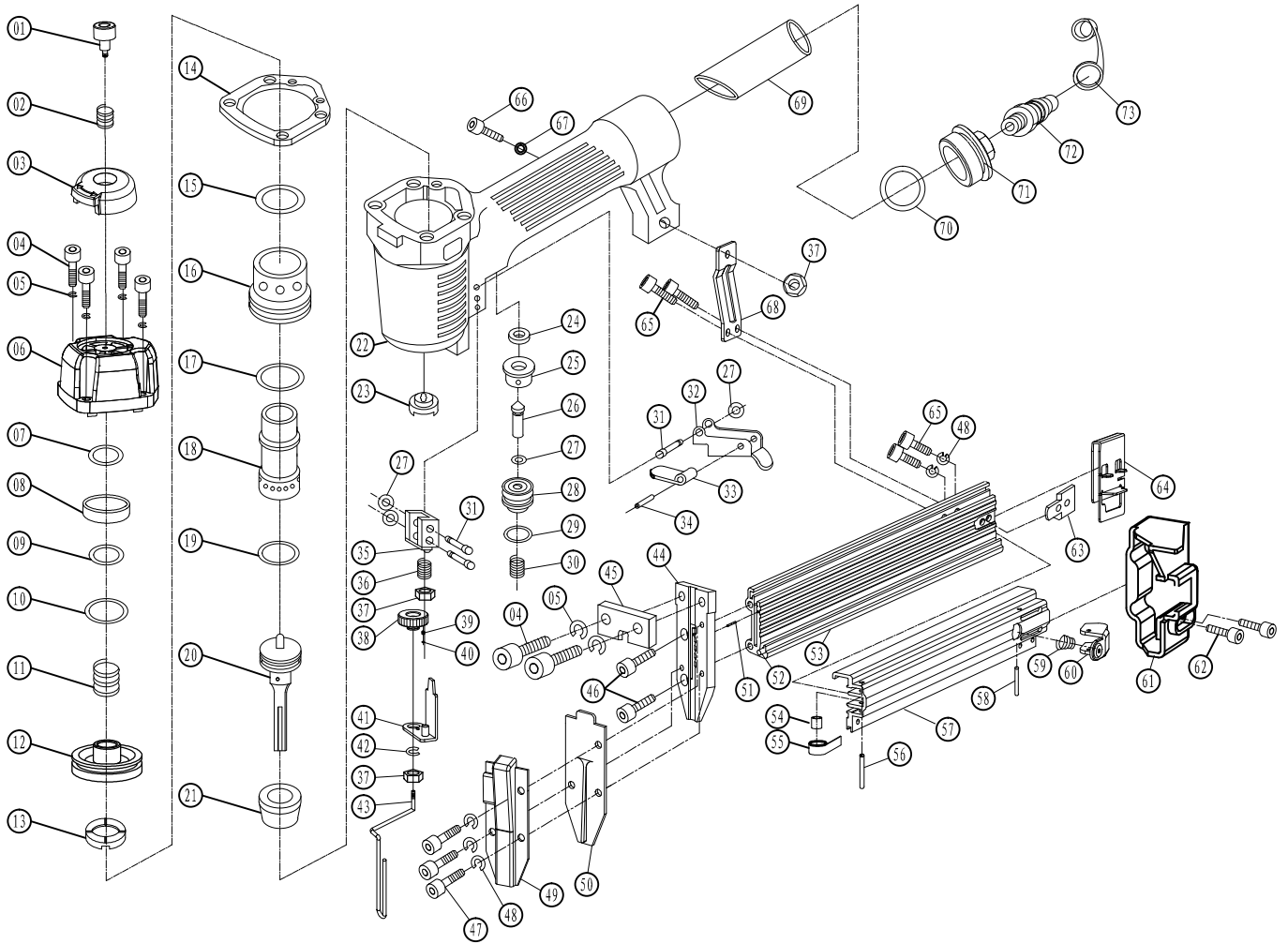


F3232 Explosive View and Parts list

Issue date:	2012. 07. 16
Version no.:	V1



No.	Description	Qty.	No.	Description	Qty.	No.	Description	Qty.	No.	Description	Qty.
01	Bolt	1	22	Gun Body	1	43	Safety Stand	1	64	Pusher	1
02	Deflector Spring	1	23	Rubber Washer	1	44	Driver Guide	1	65	Bolt M4x6	4
03	Air Deflector	1	24	Rectangle Seal	1	45	Spacer	1	66	Bolt M4x20	1
04	Bolt M5x20	6	25	Trigger Valve Seat	1	46	Bolt	2	67	Flat washer 4	1
05	Spring Washer 5	6	26	Trigger Valve Stem	1	47	Bolt M4x10	3	68	Support Seat	1
06	Cylinder Cover	1	27	O-ring 1.7x2	4	48	Spring Washer 4	5	69	Rubber Handle Case	1
07	O-ring 13.7x2.4	1	28	Trigger Valve Guide	1	49	Safety Cover	1	70	O-ring 36.3x3.55	1
08	Sealing Washer	1	29	O-ring 11.2x2	1	50	Driver Guide Cover	1	71	End Cap	1
09	O-ring 24.8x3.5	1	30	Compressed Spring	1	51	Pin =1x8	1	72	Air Plug	1
10	O-ring 31.2x2.5	1	31	Step Pin	3	52	Inlay slice	1	73	Air Plug case	1
11	Compressed Spring	1	32	Trigger	1	53	Fixed Magazine	1			
12	Head Valve Piston	1	33	Safety Space	1	54	Core Pin	1			
13	Washer	1	34	Pin 2.5x16	1	55	Spring	1			
14	Sealing washer	1	35	Stand	1	56	Pin 3x20	1			
15	O-ring 41.7x3	1	36	Pusher Spring	1	57	Movable Magazine	1			
16	Collar	1	37	Nut	3	58	Pin C2.5x20	1			
17	O-ring 26.2x2.4	1	38	Adj. Nut	1	59	Compressed Spring	1			
18	Cylinder	1	39	Spring	1	60	Fixed Lever	1			
19	O-ring 21x3	1	40	Steel Ball	1	61	Fixed seat	1			
20	Main piston	1	41	Direction Stand	1	62	Bolt M3x10	2			
21	Bumper	1	42	Snap Retainer d=6	1	63	Fixed Slice	1			