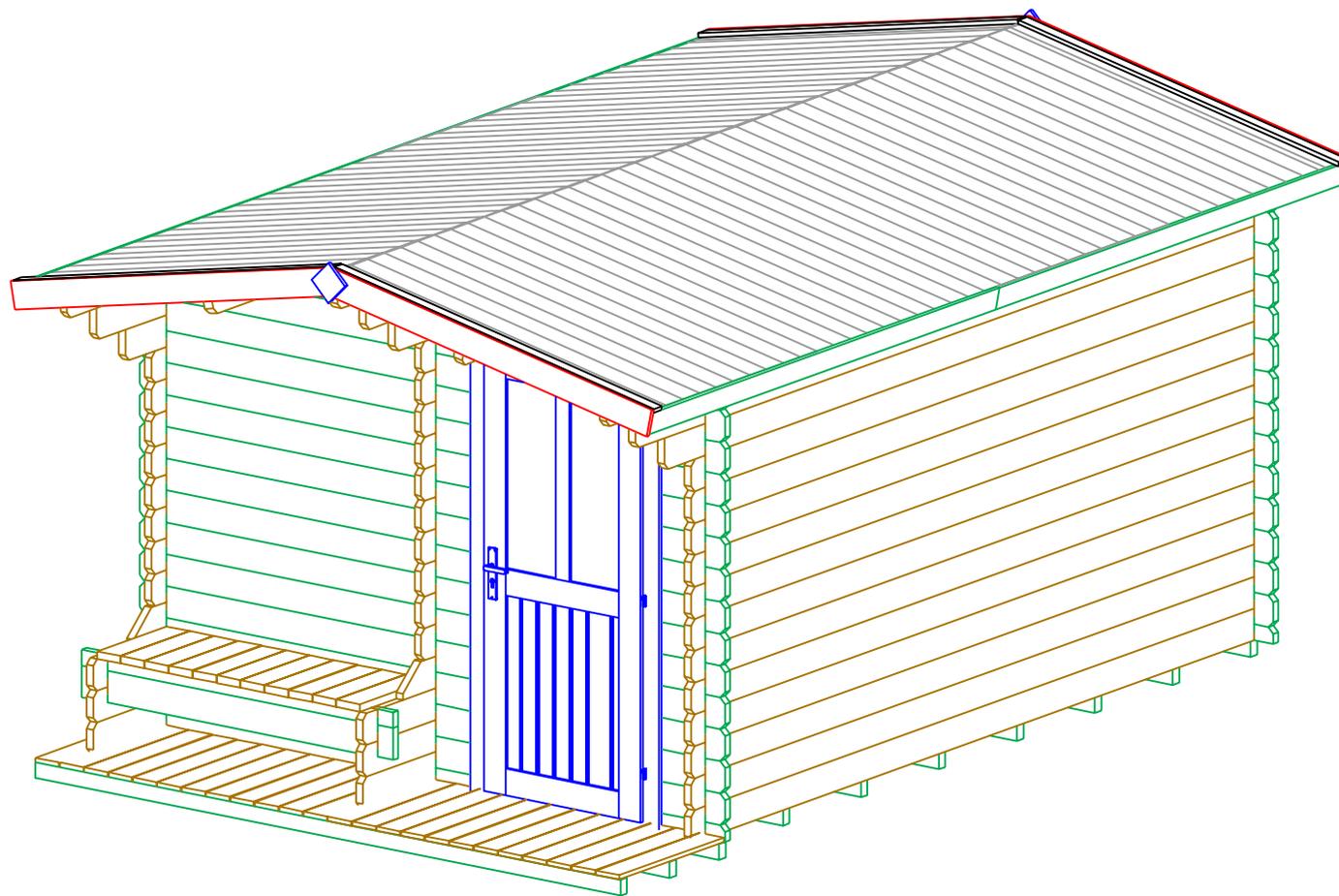
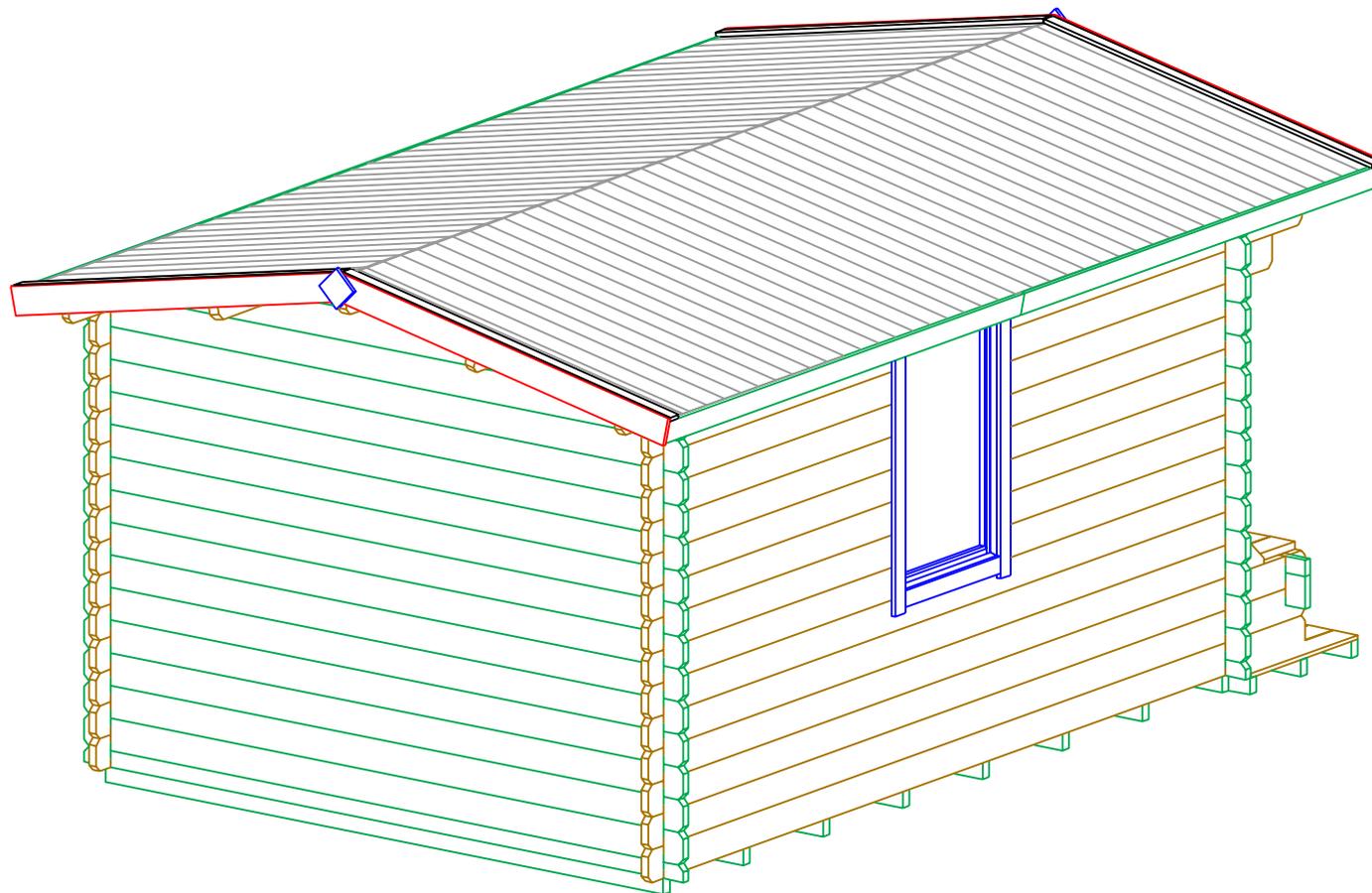


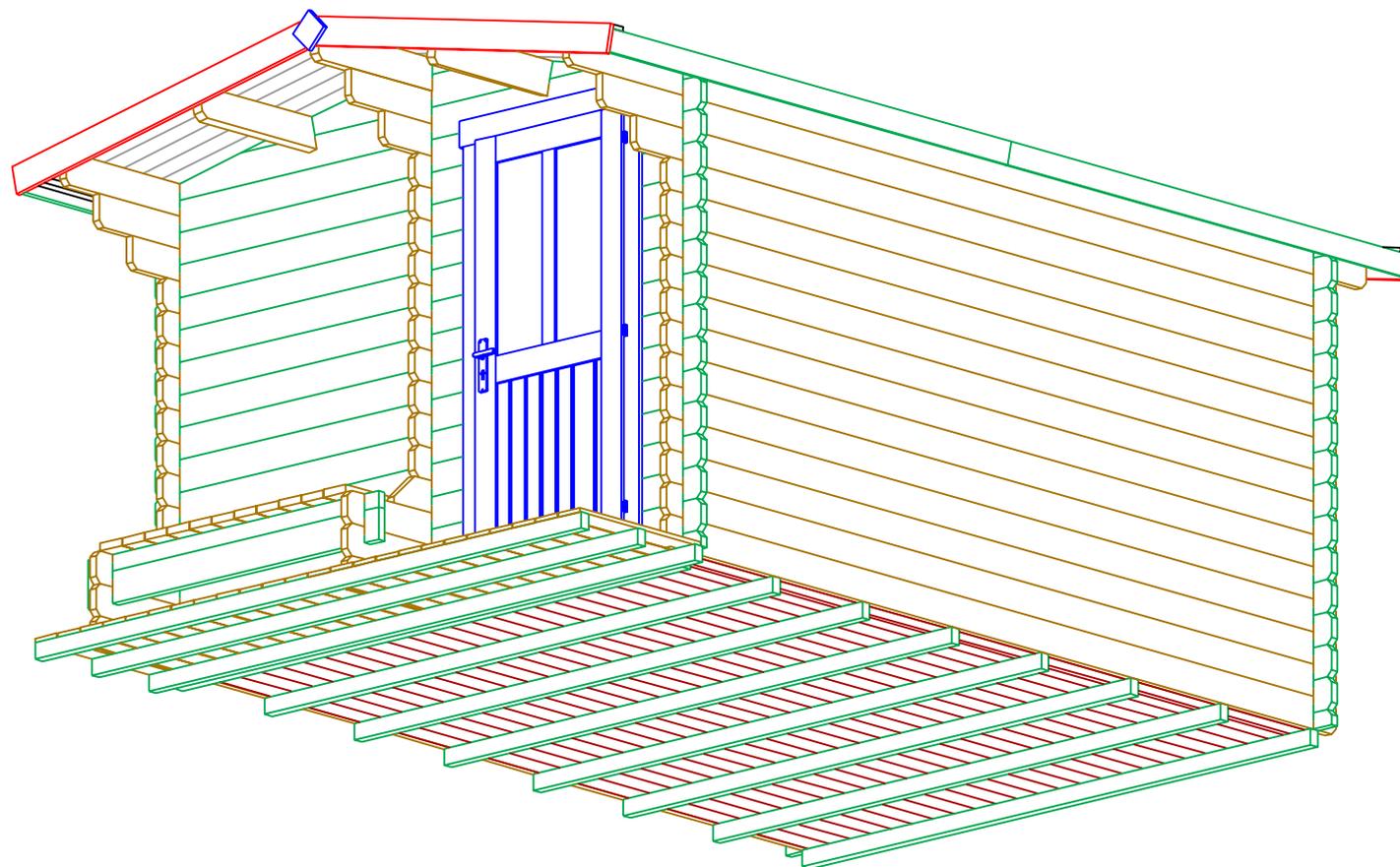
-2 34 3x4



-2 34 3x4

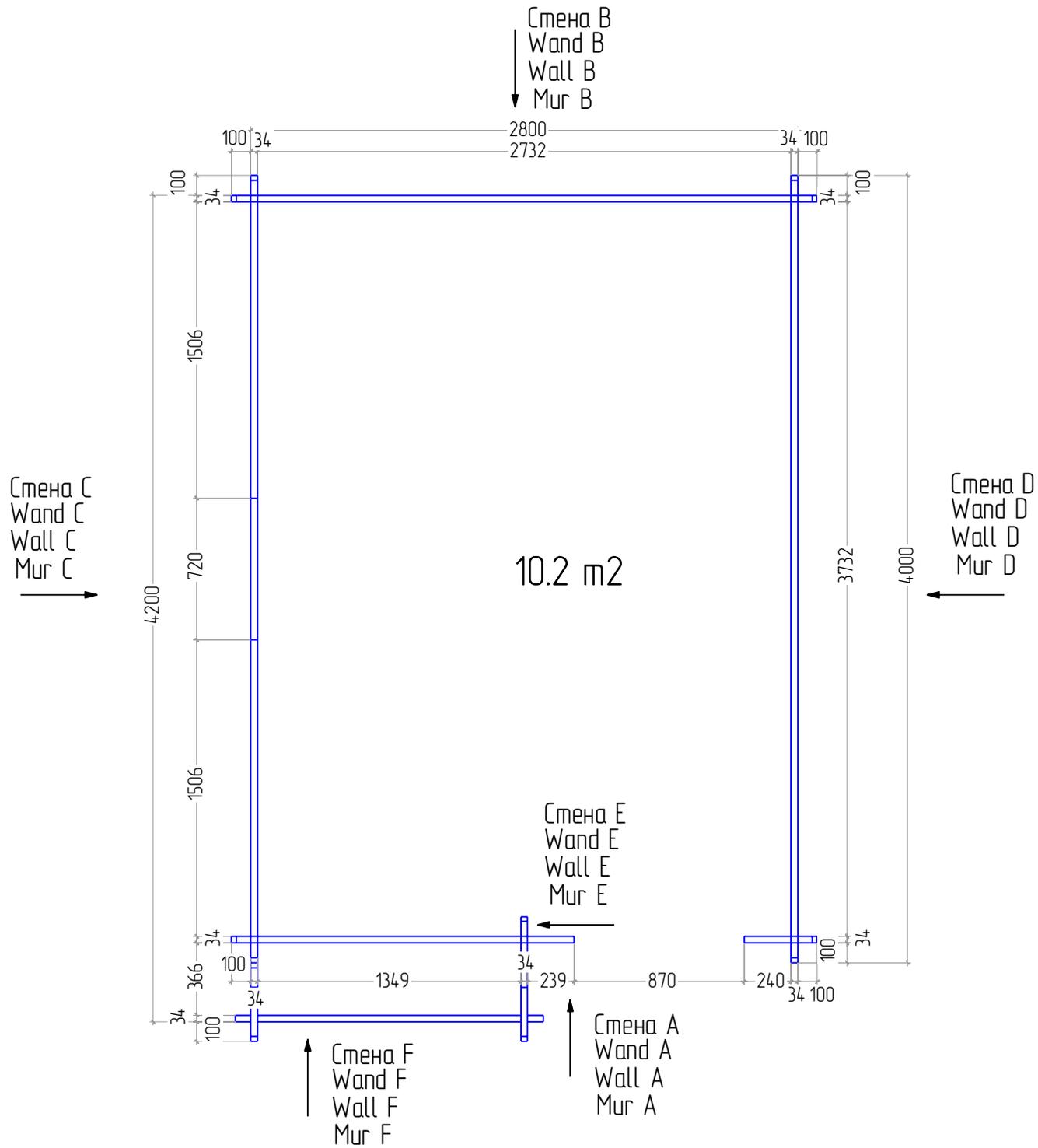


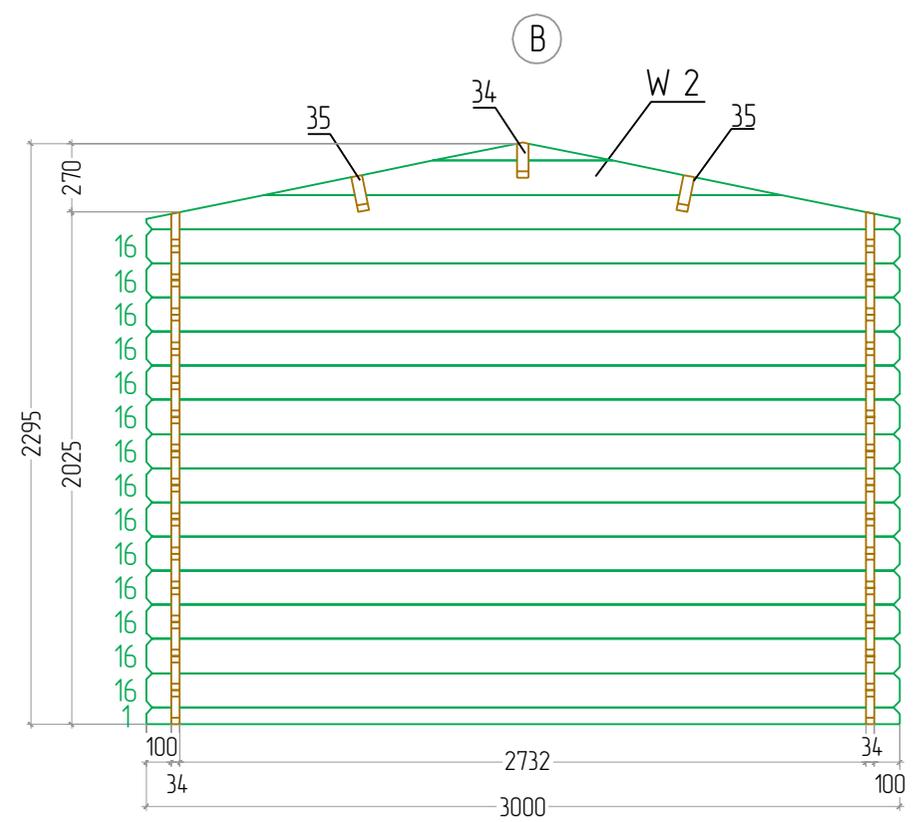
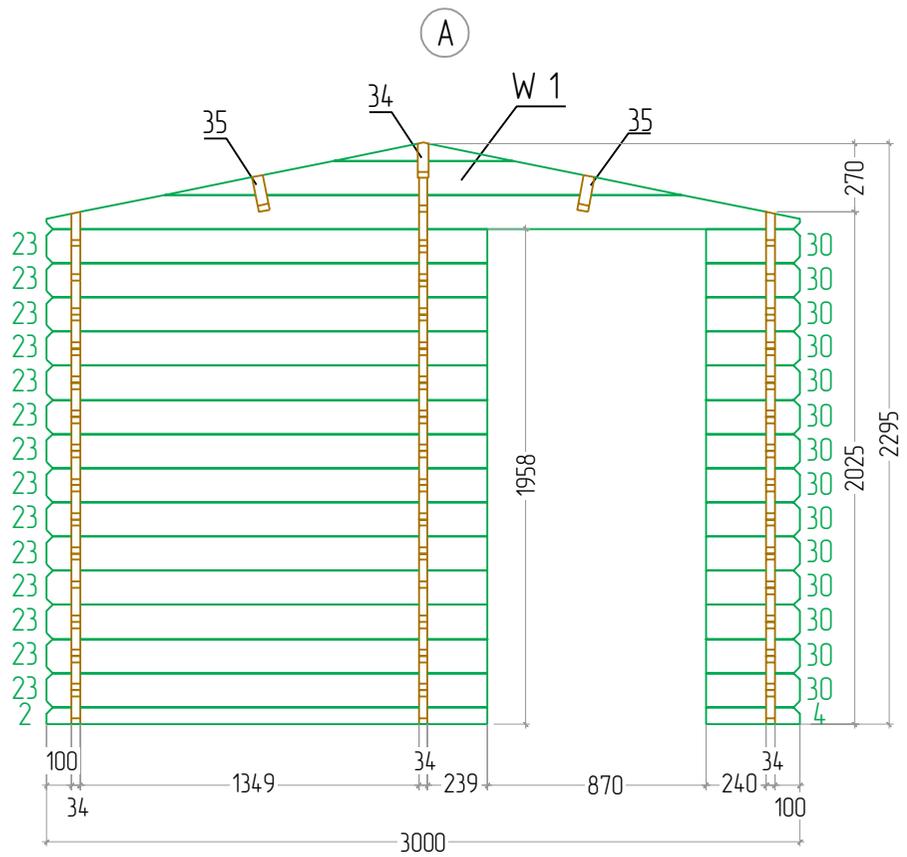
-2 34 3x4



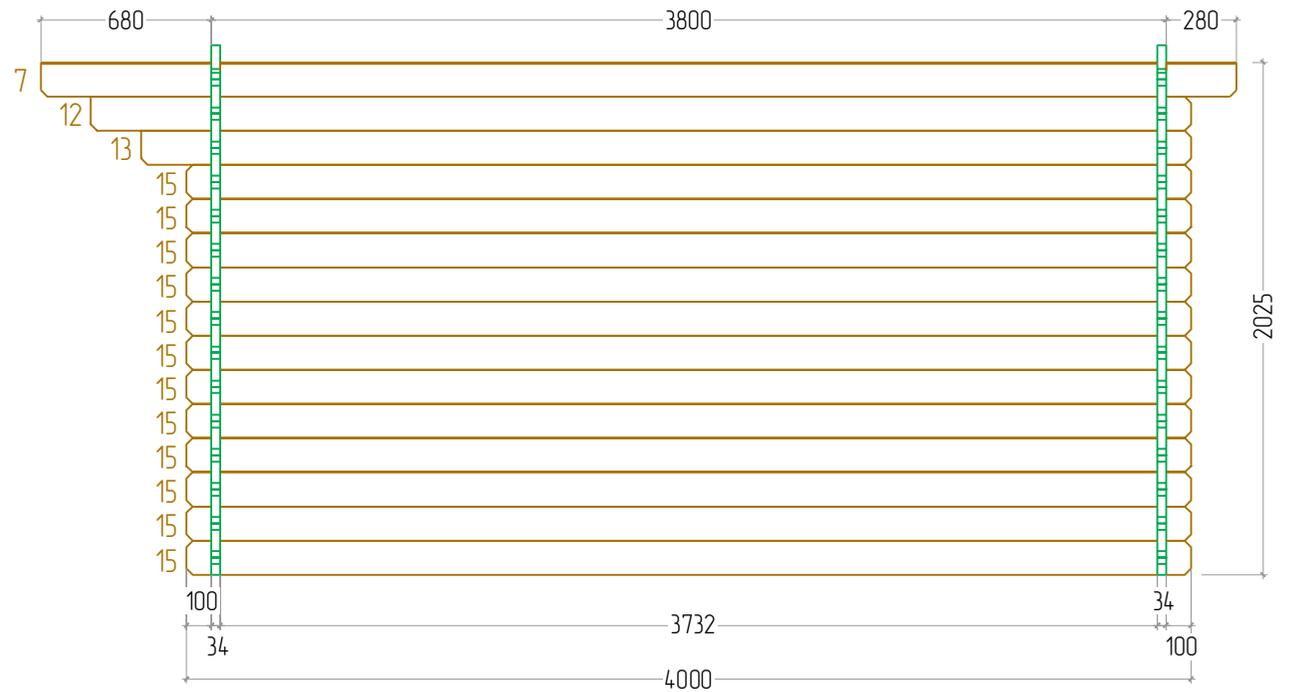
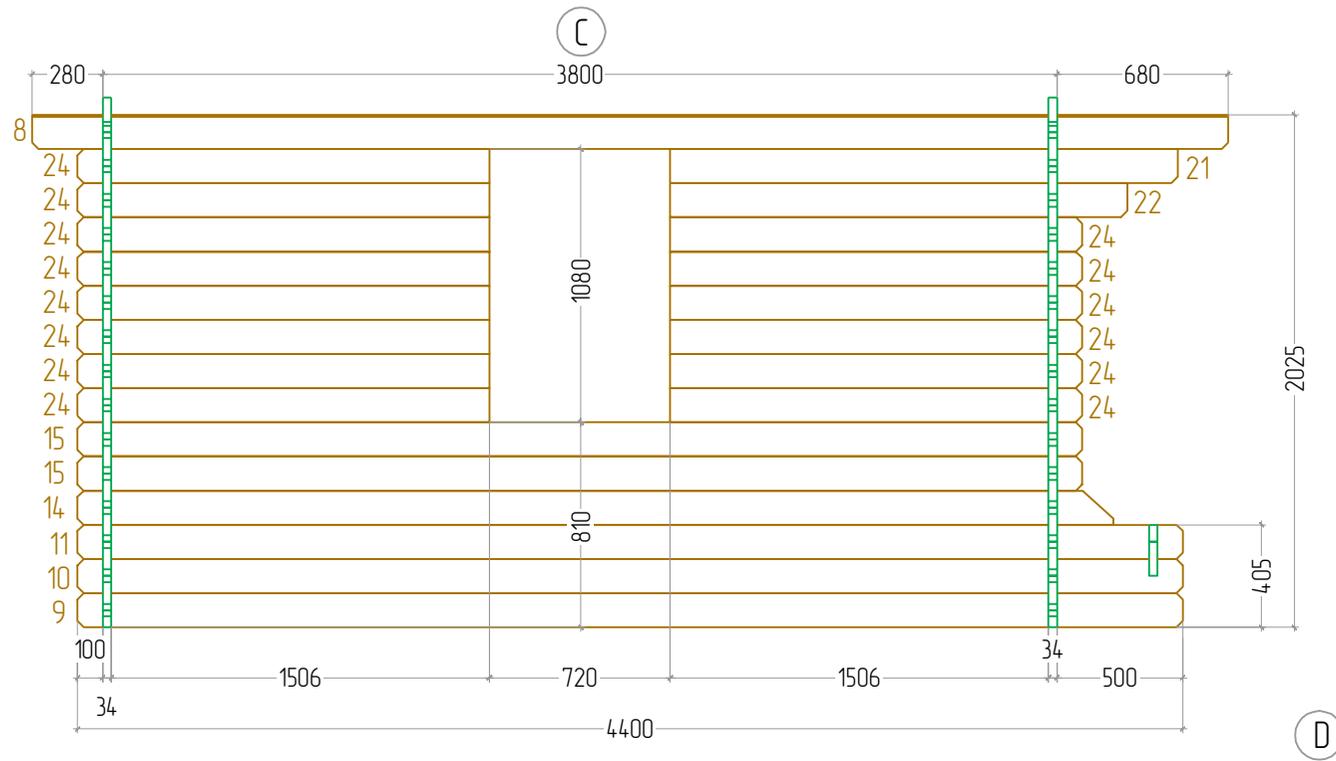
-2 34 3x4

Plan

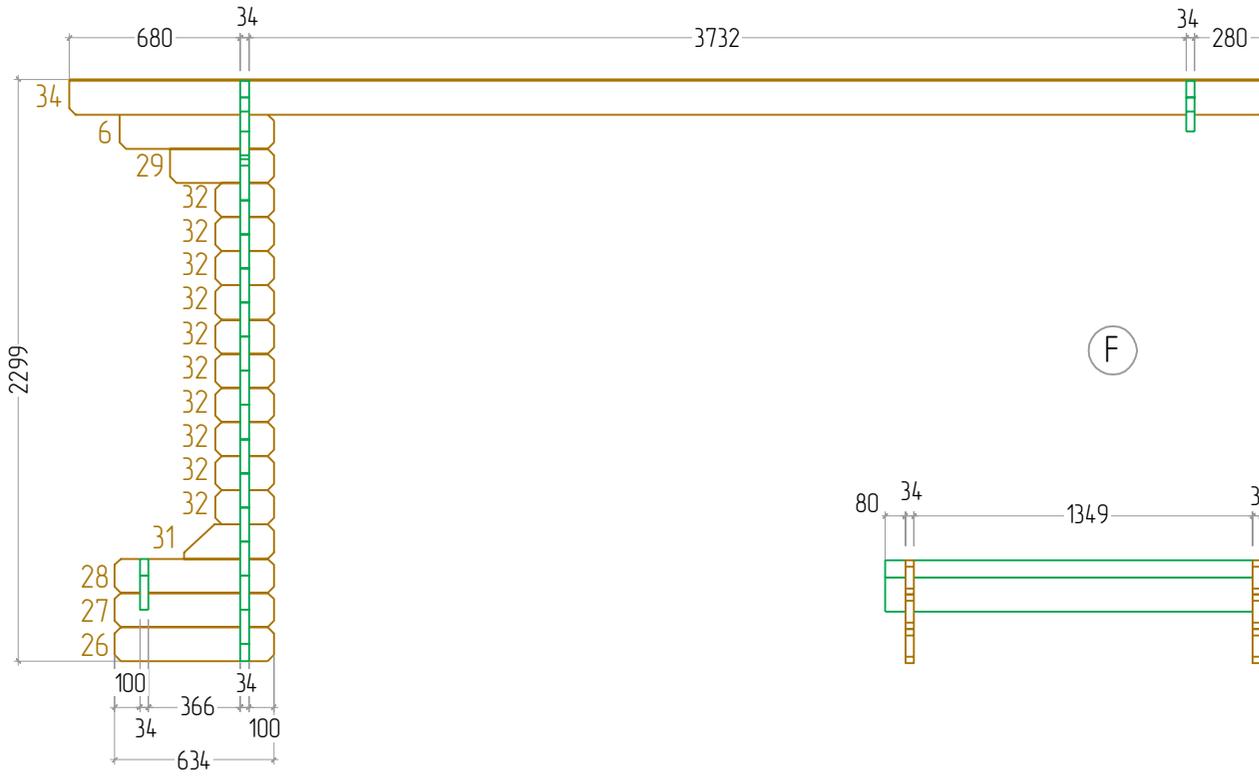




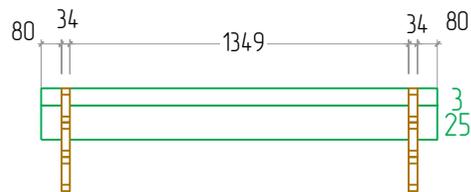
-2 34 3x4



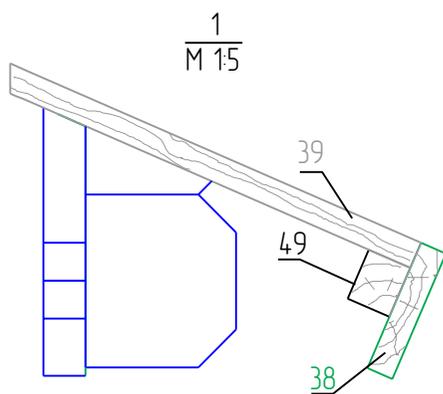
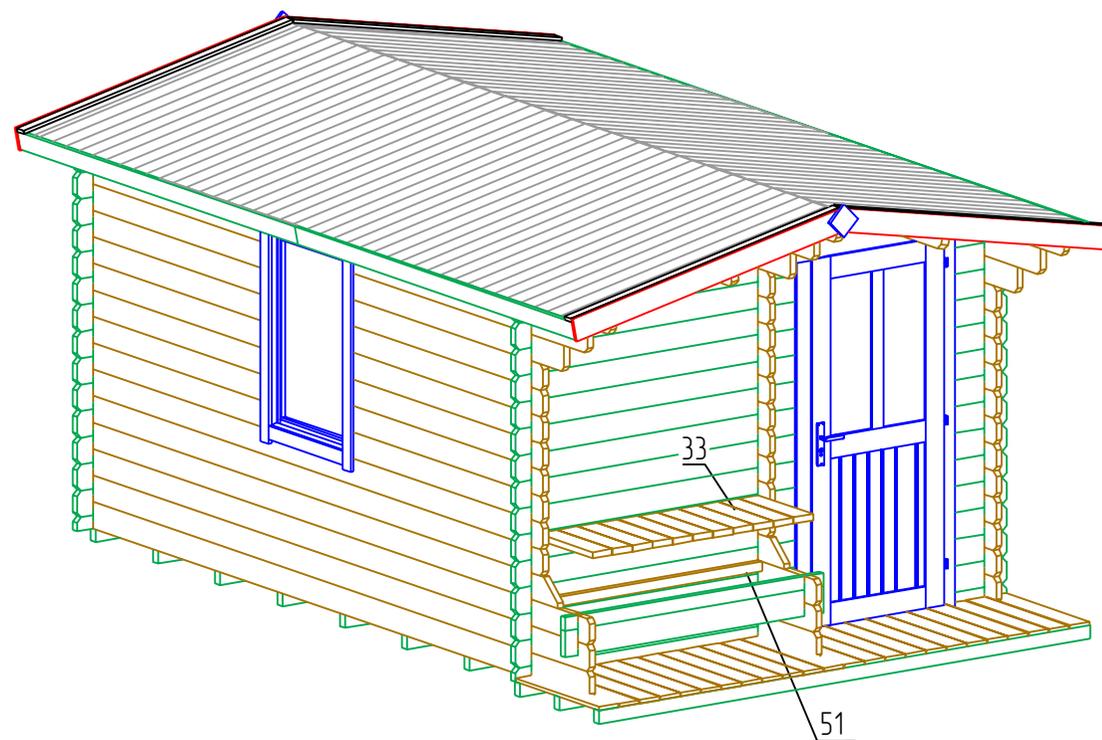
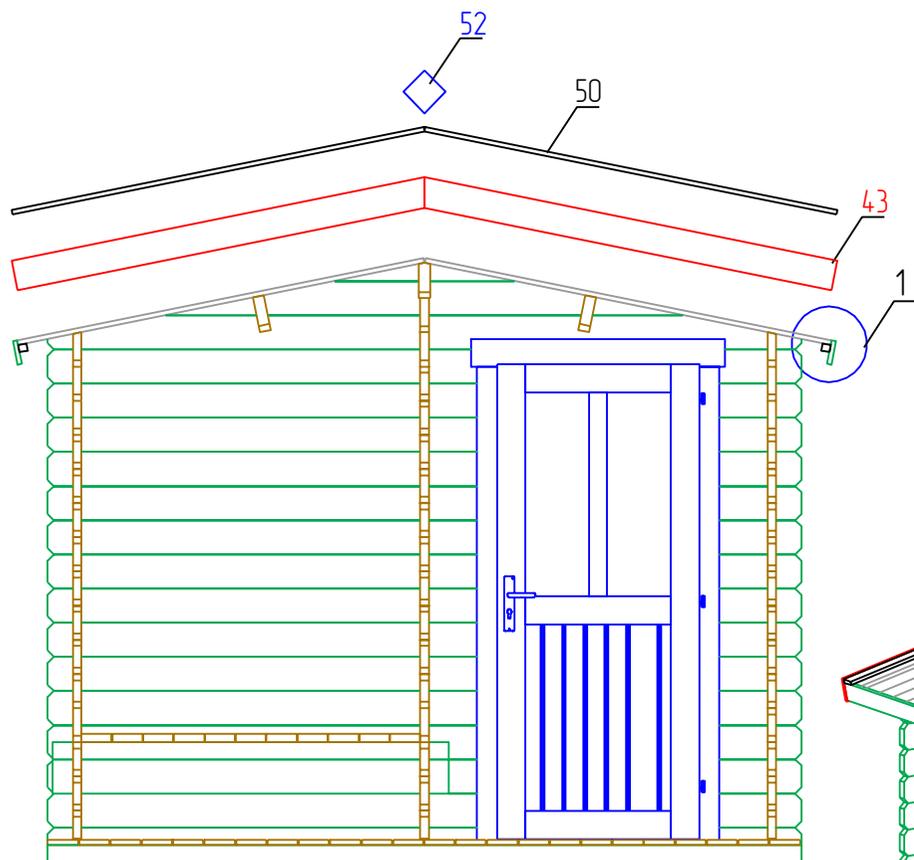
E



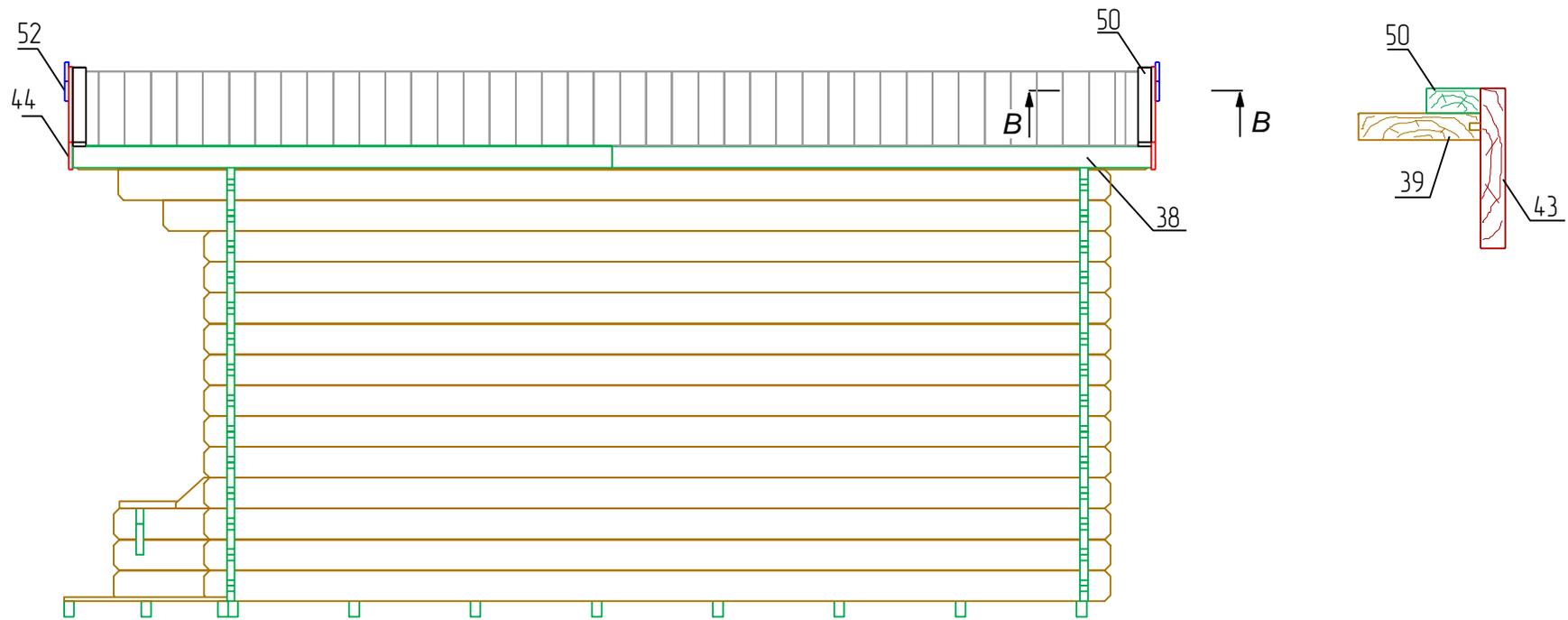
F



-2 34 3x4

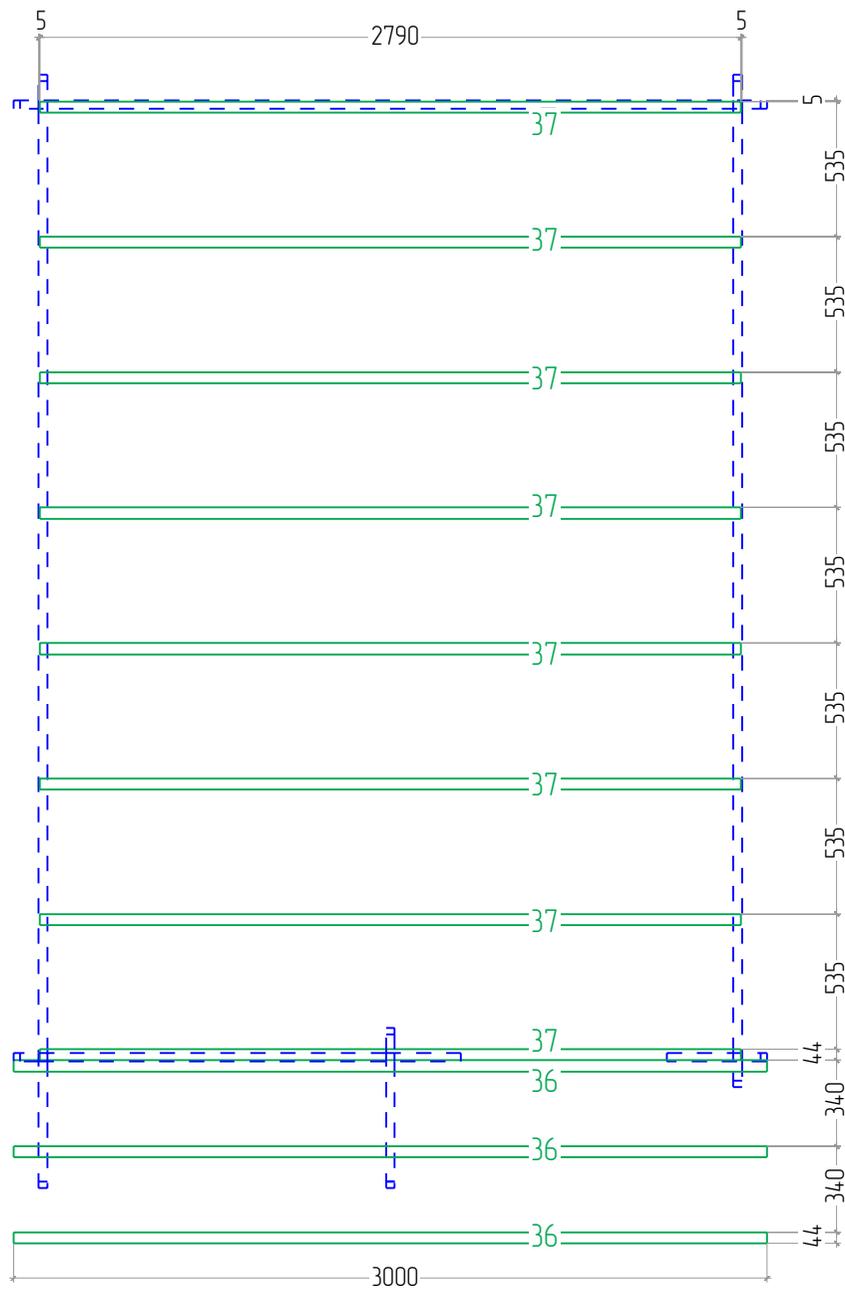


-2 34 3x4



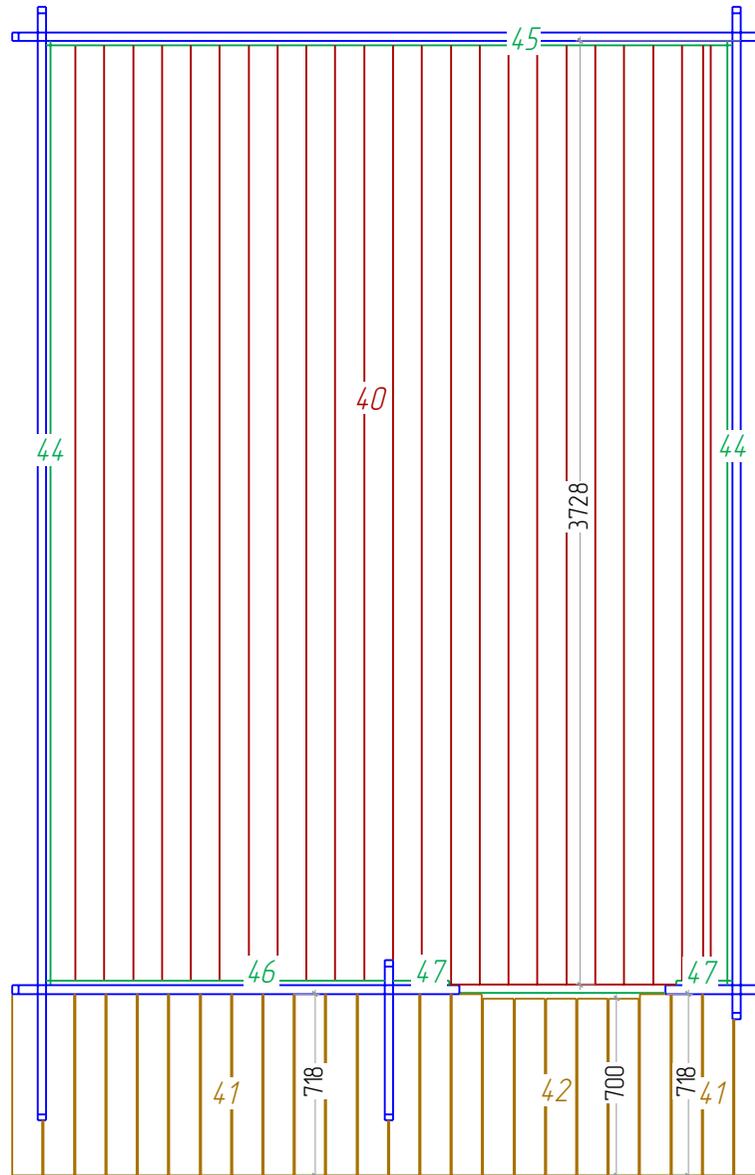
-2 34 3x4

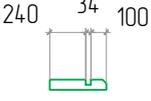
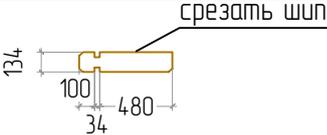
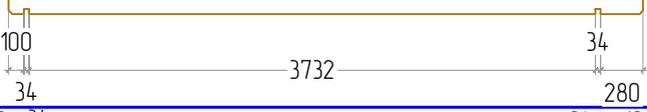
Boarding joist plan  
Trummplan  
Lambourde plan



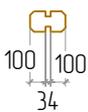
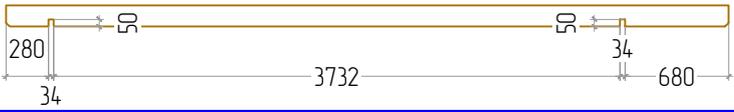
-2 34 3x4

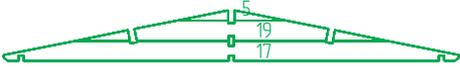
Plan of the floor board  
Plan der furbodenbretter  
Le plan des plaches du plancher



№	-2 34 3x4	St.	Schnittl	Lange
1		1	34x67.5	3000mm
2		1	34x67.5	1756mm
3		1	34x67.5	1577mm
4		1	34x67.5	374mm
6		1	34x134.4	614mm
7		1	34x135	4760mm
8		1	34x135	4760mm
9		1	34x135	4400mm
10		1	34x135	4400mm
11		1	34x135	4400mm
12		1	34x135	4380mm
13		1	34x135	4180mm
14		1	34x135	4125mm

Nº	-2 34 3x4	St.	Schnitt	Länge
15		14+1	34x135	4000mm
16		14	34x135	3000mm
21		1	34x135	2020mm
22		1	34x135	1820mm
23		14	34x135	1756mm
24		14	34x135	1640mm
25		1	34x135	1577mm
26		1	34x135	634mm
27		1	34x135	634mm
28		1	34x135	634mm
29		1	34x135	414mm
30		14	34x135	374mm
31		1	34x135	359mm

Nº	Tom 34 3x4	St.	Schnitt	Länge
32		10	34x135	234mm
33		11	32x120	475mm
34	Roof beam. Dachbalken. Panne 	1	44x140	4760mm
35	Roof beam. Dachbalken. Panne 	2	44x140	4760mm
36	Foundation Fundament Solve 	3	44x68	3000mm
37	Foundation Fundament Solve 	8	44x68	2790mm
38	Roof side boards Traufenbrett Planche de rive 	4	18x95	2380mm
39	Roof boards Dachbretter Volige 	84+1	20x115	1650mm
40	Floor boards Fu ssboden Lame de plancher 	24+1	20x115	3728mm
41		20	18x120	718mm
42		5	18x120	700mm
43	Fascia board Giebelblende Planch de rive facade 	4	18x120	1677mm
44	Floor edge trim Fu bleisten Plinthe plancher 	2	18x20	3732mm

Nº	-2 34 3x4	St.	Schnittl	Lange
45	Floor edge trim Fu bleisten Plinthe plancher 	1	18x20	2732mm
46	Floor edge trim Fu bleisten Plinthe plancher 	1	18x20	1349mm
47	Floor edge trim Fu bleisten Plinthe plancher 	2	18x20	197mm
49	Roof edge reinforcement Traufleisten Tasseau 	4	28x34	2380mm
50	Roofing felt fillet Giebelabschlussbrett Latte de finition couverture 	4	18x58	1673mm
51		1	50x34	1349mm
	Door Tur 1958mmx870mm La porte	1		
	Window Fenetre 1080mmx720mm Fenster	1		
52	Diamond Raute  Diamant	2	18x120	120mm
W-1		1		
W-2		1		

W-1

