



P.I.T.[®]

Progressive Innovative Technology

EN PRODUCT PASSPORT
USER'S MANUAL

RU ПАСПОРТ ИЗДЕЛИЯ
ИНСТРУКЦИЯ ПОЛЬЗОВАТЕЛЯ

GASOLINE TRIMMER **БЕНЗИНОВЫЙ ТРИММЕР**

MA S T E R



P73102
P73102A
P73102C

PROGRESSIVE INNOVATIONAL TECHNOLOGY
ПРОГРЕССИВНЫЕ ИННОВАЦИОННЫЕ ТЕХНОЛОГИИ



GENERAL SAFETY MEASURES

1. Wear sturdy work wear with long sleeves, durable thin gloves, durable non-slip work shoes, safety helmet and face shield.
2. Never work in open clothes and shoes such as sandals or barefoot.
3. Move away from the place of refueling at a distance of at least three meters to start the engine.
4. Do not allow others to be close to petrol-powered trimmer at startup or during operation.
5. Before starting work, inspect the area around, assess the terrain and the presence of any obstacles that may interfere with the work.
6. Before starting work, make sure that petrol-powered trimmer does not touch foreign objects.
7. Carry the petrol-powered trimmer with the engine shut off.
8. Do not operate petrol-powered trimmer if it is damaged, improperly assembled, or its parts are loosely secured.
9. Especially carefully check the mounting and condition of the knife or cassette with line. Never use blunt knives, as well as knives and tapes with damage and / or cracks.
10. Stop the engine before putting in the petrol-powered trimmer.
11. Be extremely careful when cutting long branches of bushes and seedlings - they can be thrown at you. For safety reasons, we recommend cutting long branches in parts.
12. Hands should be dry and clean from oily substances.
13. Operate petrol-powered trimmer only on open spaces and well ventilated objects. Never run your device in a closed room. Inhaled fumes can be fatal.
14. The area within a radius of 15 m around working with petrol-powered trimmer should be considered as a zone of increased danger. When several people work, it is necessary to keep a distance between them to ensure safe operation.
15. All petrol-powered trimmer services should be performed only at authorized service centers.
16. Do not refuel with the petrol-powered trimmer engine running.
17. Use petrol-powered trimmer only for its intended purpose.
18. Hold petrol-powered trimmer firmly with both hands.
19. Stop the engine when replacing the cutting parts.
20. Keep petrol-powered trimmer away from sources that may cause ignition.
21. During refueling petrol-powered trimmer, smoking, ignition of fire and use of devices that form sparks is strictly prohibited!
22. Equip your workplace with fire extinguishing agents

PURPOSE

Petrol-powered trimmer is designed for cutting grass and small shrubs with special knives and special trimmer line (hereinafter - the line).

It is forbidden to cut any other materials! All malfunctions arising for this reason are not provided with warranty repair.

Do not use saw blades or other cutting attachments that are not intended for this petrol-powered trimmer!

Petrol-powered trimmer is not designed for precise cutting, its main purpose is rough cutting without providing cutting precision and quality.

DECRYPTING THE DATE OF PRODUCTION OF THE PRODUCT

Date of manufacture of the product is encrypted in the serial number printed on the tool body.

The first 2 digits indicate the year of manufacture, the next 2 digits - month and the following two digits – day

No.

17	07	30	0395
----	----	----	------

 year month day

TECHNICAL SPECIFICATIONS

	P73102/P73102A	P73102C
engine capacity	52 cm ³	33 cm ³
Rated power	2.3 hp	1.5 hp
Cutting width: Line / knife	440/255 mm	440/255 mm
The diameter of the line	2.4 mm	2.4 mm
Rod type	one-piece	one-piece
Max.	8500 rpm spool speed	8500 rpm spool speed
Fuel	gasoline AI-92 + oil for 2-stroke engines	
Fuel tank capacity	1.2 L	1.2 L
Weight	7.9 kg	7.3 kg

Note:

Since the products are constantly being improved, P.I.T. reserves the right to change the specifications listed here without prior notice

DELIVERY SET

- Petrol-powered trimmer 1 pc.
- Semi-automatic spool 1 pc.
- 3 blades replaceable knife (Types P73102A, P73102C)
- 40-tooth carbide tipped replaceable knife 1 pc. (Type P73102)
- Protective cover 1 pc.
- Over-the-shoulder belt 1 (Types P73102A, P73102C)
- Knapsack belt 1 pc. (Type P73102)
- Screw for handle fixation 1 pc.
- O-handle 1 pc.
- Tool kit 1 pc.
- Operation manual 1 pc.

FEATURES

- Big power in terms of 1 kg of weight
- easier and cheaper to manufacture
- Engine availability, high operating speed
- High maintainability and availability of spare parts

DESIGNATION OF PARTS



- | | |
|---------------------------|--|
| 1. Fuel tank | 9. Protective casing |
| 2. Starter handle | 10. 40-tooth carbide tipped replaceable knife (P73102) |
| 3. air filter unit | 11. Reducer |
| 4. Throttle control cable | 12. Belt holder |
| 5. Ignition switch | 13. spool |
| 6. Accelerator switch | 14. Knapsack belt (P73102) |
| 7. O-handle | 15. Over-the-shoulder belt1 (P73102A, P73102C) |
| 8. Bar | 16. 3 blades replaceable knife (P73102A, P73102C) |

OPERATING RULES

Installing a protective casing

Install the protective cover on the rod and fix it with bolts

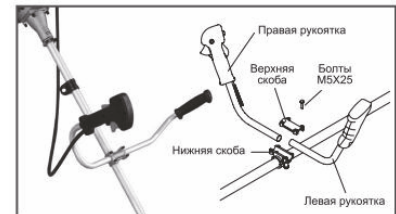
The installation location of the bolts is indicated on the cover. It depends on what is installed > knife or trimmer head.

Attention!

During the work with a trimmer head it is necessary to install an apron with a knife for cutting the cord on the casing. When working with a knife apron must be removed from the casing.

Handle installation

Install the operating handle on the bar as shown in the figure. Before the final tightening of the bolts, adjust the handle to the height and angle of the handles as you prefer for work



Setting the grass blade

Place a protective cup on the gearbox (A). Install a protective washer (B) on the gearbox. When installing, the bore hole in the knife must exactly align with the protrusion on the washer (C).

Install the knife hold-down washer and tighten the knife-mounting nut (left-hand thread) (D).

Align the hole in the cup of the gearbox and the protective washer of the gearbox. Install a metal retainer in the hole and tighten the knife mounting nut.



Setting the trimmer head

Install a protective cup and a protective washer on the gearbox (A, B). Screw the trimmer head (left-hand thread) onto the gearbox shaft (C). Align the hole in the cup of the gearbox and the protective washer of the gearbox. Install the metal stop in the hole and tighten the trimmer head (D).



Fuel mixture preparation

To prepare the fuel mixture, use an engine-cooled two-stroke engine oil and unleaded gasoline with an octane rating of 92 in the ratio of 1:50.

Attention!

To prepare and store the fuel mixture, use a special tank for gasoline. Do not use food plastic containers. It is forbidden to prepare the fuel mixture directly in the fuel tank. For the preparation of the fuel mixture, it is prohibited to use oil intended for engines with water cooling, oil for two-stroke engines having low maximum revolutions, oil for four-stroke engines. To determine the mixing proportions, use the table:

The ratio of oil and gasoline for the preparation of the fuel mixture

Oil	Gasoline	Ratio
20 ml	1 L	1:50
100 ml	5 L	1:50
200 ml	10 L	1:50

Do not start the engine if fuel is spilled. Wipe the fuel tank from the remnants of the spilled mixture with a dry clean rag or wait until it is completely dry.

1. Pour half of the gasoline prepared for operation into the container.
2. Add the required amount of recommended engine oil.
3. Close the tank lid tightly.
4. Thoroughly shake the fuel mixture in the tank.
5. Slowly open the tank lid to release air, then add the remaining gasoline.
6. Close the container and shake well again.

Refueling fuel tank

1. Before refueling the fuel tank, stop the engine and allow it to cool completely.
2. Fill the fuel tank outdoors or in a well-ventilated area, away from sources of ignition.
3. Remove debris from the surface next to the fuel cap.
4. Slowly unscrew the fuel cap.
5. Carefully fill the fuel mixture.
6. Do not fill the fuel tank completely; there must be room for expansion of the fuel.
7. Tighten the fuel cap tightly with your hands. Before starting, wipe the fuel tank dry outside of spilled fuel.

Attention!

Ready-to-use fuel mixture is recommended to be used within 30 days. During long-term storage, the fuel mixture oxidizes, becomes non-uniform and unsuitable for use.

Attention!

To prepare the fuel mixture, use fresh high-quality gasoline. Carefully maintain the ratio of gasoline oil. Never use clean gasoline to refuel your trimmer engine.

Attention!

Failure of the engine as a result of using unacceptable state fuel quality standards, working on pure gasoline, working on old fuel mixture or on a mixture with the wrong ratio of gasoline / oil, the use of non-recommended or low-quality oil is not repairable under warranty.

Cold start

1. Set the trimmer on a flat horizontal surface.
2. Fill the fuel tank with freshly prepared fuel mixture.
3. Press the hand fuel pump 7-10 times until fuel appears in it. The pump is located at the bottom of the carburetor under the air filter housing



4. Close the choke. To do this, lift up the lever of choke.



5. Set the ignition switch (A) to "1". Hold the safety lever (C) and pull the gas trigger (D). To facilitate starting, lock the gas trigger with the stopper (B).



6. Select the free run of the starter cord. To do this, pull the starter handle until you feel resistance, then make a strong pull on the handle. Repeat these steps 5-6 times before the first start of the engine. The engine starts only for a short time and immediately stalls.
7. After the first start, open choke, to do this, move the choke control lever to the lower position. Then make a strong jerk for the starter handle 1-2 times, I should start the engine. Put the engine in idle mode.
8. After starting, warm up the engine for 1 minute.

Running a warm engine

Do not close the choke when starting a warm engine. For ease of starting, you can lock the gas trigger in the pressed state. The rest of the startup procedure is the same as on a cold engine.

Engine stop

To stop the engine, release the gas trigger, put the engine at idle and let it run for 15–20 seconds. Then turn the ignition switch to the “0” position.

Attention!

Idle mode is necessary in order to reduce the temperature inside the engine. Instant stopping of the engine can lead to a sharp rise in the temperature inside the engine and its failure.

Before starting work, it is advisable to put on a shoulder belt and hang the trimmer on it without starting the engine. This will allow you to easily adjust the belt in shape and height, adjust the position of the cutting headset relative to the surface of the earth.

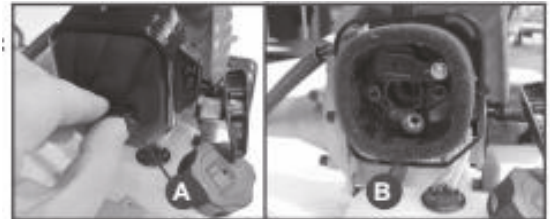
MAINTENANCE

Air filter maintenance

Attention!

Never work with a trimmer without an air filter, with a dirty or damaged air filter. Dust and dirt will get into the engine, causing it to break. Failure of the carburetor or engine when operating without a filter, with a dirty or damaged air filter cannot be repaired under warranty.

Remove the air filter cover screw, remove the air filter cover (A) and remove the filter element (B). Wash the foam filter in warm, soapy water, squeeze and dry. Moisten the foam filter with clean engine oil before installation. Squeeze out excess oil. A damaged or heavily soiled filter must be replaced.



Remove the air filter cover screw, remove the air filter cover (A) and remove the filter element (B). Wash the foam filter in warm, soapy water, squeeze and dry. Moisten the foam filter with clean engine oil before installation. Squeeze out excess oil. A damaged or heavily soiled filter must be replaced.

Fuel filter maintenance

Attention!

Failure of the carburetor or engine when operating without a filter, with a dirty or damaged fuel filter cannot be repaired under warranty.

To check or replace the fuel filter:

1. Remove the fuel cap.
2. Bend a piece of soft wire in the form of a small hook.
3. Hook the fuel hose with the filter into the hook and pull it out through the filler neck.

Note!

Do not pull the fuel hose completely out of the tank. It is enough to pull out part of the hose with a filter.

4. Separate the filter by twisting.
5. Install the new filter. Return the fuel hose to the tank. Make sure the filter is at the bottom of the tank.
6. Install the fuel cap.

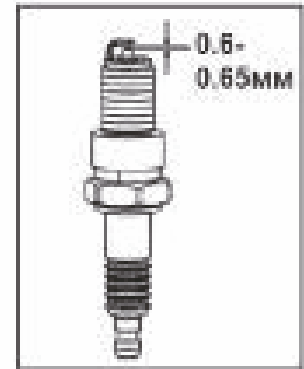
Spark Plug Service

Attention!

Never unscrew the plug until the engine is completely cold.

There is a danger of damage to the threaded part of the cylinder head.

1. Remove the spark plug cap and remove the dirt around the spark plug.
2. Unscrew the spark plug with a spark plug wrench.
3. Check the spark plug. If the electrodes are worn or the insulation is damaged, replace the spark plug.
4. Measure the gap between the electrodes of the spark plug with a special probe. The gap should be 0.6-0.65 mm. When increasing or decreasing the required clearance, it is recommended to replace the spark plug, since adjusting the clearance can lead to a change in the quality of the spark.
5. Gently twist the Spark Plug with your hands.
6. After the spark plug is in place, tighten it with the spark plug wrench.
7. Install the cap on the candle.

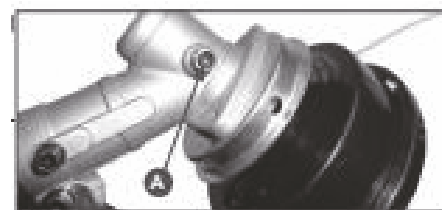


Attention!

When installing a new spark plug, to ensure the required tightening, wrap the spark plug with a wrench on the U2 turn after the spark plug is seated on the sealing washer. When installing a spark plug in operation, to ensure the required tightening, wrap the spark plug with a key at 1/4 -1/8 part of the turn after landing the spark plug over the sealing washer.

Gear service

After 20 hours of work, but at least once a season, it is necessary to check and add lubricant to the gearbox. For lubrication of the gearbox and the shaft, it is recommended to use a universal lubricant for the gearbox. It is necessary to unscrew the bolt (A) and use a grease gun to add grease (approximately 5–10 cm³). The drive shaft of the gearbox, which is in the rod, it is recommended to lubricate after 100 hours of operation



WARRANTY SERVICE TERMS AND CONDITIONS

1. This warranty certificate is the only document confirming your right to free warranty service. Without presenting this certificate, claims will not be accepted. In case of loss or damage the warranty certificate is not restored.

2. The warranty period for the tool is 12 months from the date of sale, during the warranty period, customer service eliminates manufacturing defects free of charge and replaces parts that failed due to the manufacturer's fault. An equivalent serviceable tool is not provided for the period of warranty repair. Replaced parts become the property of the service. Company P.I.T. is not responsible for the harm that may be caused when working with power tools.

3. For warranty repair, the instrument is accepted clean, with the obligatory presence of properly executed documents: this warranty certificate, warranty sheet, with completely filled fields, the stamp of the trade organization and the signature of the buyer.

4. Warranty repair is not performed in the following cases:

- in the absence of the warranty certificate and the warranty sheet or their wrong design;
- in case of joint failure of the armature and stator of the electric motor, during charring or reflow of the primary winding of the transformer of the welding machine, charging or starting-charging device, when reflowing internal parts, burning electronic boards;
- if the warranty certificate or the warranty sheet does not belong to this power tool or does not conform to the sample set by the supplier;
- upon expiration of the guarantee;
- when trying to self-opening or repairing power tools outside the warranty workshop; making structural changes and lubrication of the tool during the warranty period, as evidenced, for example, by creases on the spline parts of the fastener of body parts.
- when using a power tool for industrial or other purposes related to making a profit, as well as in the event of malfunctions related to instability of the electrical network parameters that exceed the standards established by GOST;
- in case of improper operation (the use of power tools for other purposes, installation on power tools not intended by the manufacturer of nozzles, accessories, etc. ;
- in case of mechanical damage to the casing, power cord and damage caused by the effects of aggressive agents and high and low temperatures, ingress of foreign objects in the ventilation grilles of the power tool, as well as damage caused by improper storage (corrosion of metal parts);
- in case of natural wear of parts of the power tool, as a result of long-term operation (determined by signs of full or partial development of the resource, heavy pollution, rust on the outside and inside of the power tool, used lubricant in the gearbox);
- use of the tool for purposes not specified in the instruction manual.
- for mechanical damage to the instrument;
- in the event of damage due to non-compliance with the operating conditions provided for by the instruction (see chapter Safety Directions in the instruction).
- damage to the product due to non-compliance with the rules of storage and transportation.

Preventive maintenance of power tools (cleaning, washing, lubrication, replacement of anthers, piston and sealing rings) during the warranty period is a paid service.

The service life of the product is set by the manufacturer and is 2 years from the date of manufacture.

On the possible violations of the above conditions of warranty service, the owner is informed after the diagnosis in the service center.

The owner of the instrument trusts the diagnosis in the service center in his absence.

Do not operate the power tool when it shows signs of increased heat, sparking, and noise in the gear unit. To find out the causes of the malfunction, the buyer should contact the warranty workshop.

Malfunctions caused by the untimely replacement of the carbon brushes of the engine are eliminated at the buyer's expense.

5. The warranty does not apply to:

- replacement parts (accessories), for example: batteries, discs, knives, drills, borers, cartridges, chains, sprockets, collet clamps, tires, tension and attachment elements, trimmers heads, soles of grinding and belt machines, filters, etc. ,
- high-wear parts, for example: carbon brushes, drive belts, oil seals, protective covers, guide rollers, guides, rubber seals, bearings, timing belts and wheels, barrels, brake bands, ratchets and starter cables, piston rings, etc. Replacing them during the warranty period is a paid service;
- power cords, in case of damage to the insulation, the power cords must be replaced without the consent of the owner (the service is paid);
- tool case;
- saw blades;
- damages that are caused by the mismatch of the network parameters with the rated voltage specified in the instructions for use;
- self-repair or attempts to unauthorized changes in the design of the device;
- strong mechanical, electrical, chemical effects;
- ingress of aggressive and conductive liquids inside the apparatus, the presence of metallic dust / chips inside the apparatus
- strong internal pollution resulting in a malfunction.



GUARANTEE CERTIFICATE ON THE P.I.T. TOOL

PRODUCT NAME _____
ITEM NUMBER _____
SERIAL NUMBER _____
DATE OF SALE " __ " _____
NAME OF THE TRADE ORGANIZATION _____
SEAL IS HERE _____

Dear customer!

Thank you for purchasing the P.I.T. and we hope that you will be satisfied with your choice. In the production process tools P.I.T. undergo multi-level quality control, if, nevertheless, your product will need servicing, we ask you to contact authorized service centers P.I.T.

Attention!

When buying, ask the seller to check the completeness and operability of the instrument, filling in the warranty certificate, warranty sheet (the seller should fill in the boxes) and the seal of the trade organization in the warranty certificate and the warranty sheet.

Warranty

Based on this warranty certificate, P.I.T. guarantees the absence of defects of a production nature.

If your trimmer nevertheless has the indicated defects during the warranty period, the specialized P.I.T. service centers repair product for free and replace defective parts. The warranty period for tools P.I.T. is 12 months from the date of sale.

“I have read the terms of warranty service. The efficiency and completeness of the product are checked in my presence. I have no complaints about the quality and appearance”.

Buyer's signature _____

Surname (legible) _____

Phone _____

ОБЩИЕ МЕРЫ БЕЗОПАСНОСТИ

1. Носите прочную рабочую одежду с длинными рукавами, прочные тонкие перчатки, прочную нескользящую рабочую обувь, защитную каску и щиток.
2. Никогда не работайте в открытой одежде и обуви типа сандалий или босиком.
3. Отойдите от места заправки на расстояние не менее трех метров для запуска двигателя.
4. Не позволяйте окружающим находиться вблизи бензотриммера при запуске или во время работы.
5. Перед началом работы осмотрите местность вокруг, оцените рельеф и наличие каких-либо препятствий, которые могут помешать работе.
6. Перед началом работы убедитесь, что бензотриммер не касается посторонних предметов.
7. Переносите бензотриммер с заглушенным двигателем.
8. Не работайте бензотриммером, если он поврежден, неправильно собран или его части ненадежно закреплены.
9. Особенно тщательно проверьте крепление и состояние ножа или кассеты с леской. Никогда не используйте затупленные ножи, а также ножи и кассеты с повреждениями и/или трещинами.
10. Заглушите двигатель перед тем, как положить бензотриммер.
11. Будьте предельно осторожны при срезании длинных ветвей кустов и саженцев > их может отбросить на Вас. В целях безопасности рекомендуем производить срезку длинных ветвей по частям.
12. Руки должны быть сухими и чистыми от маслянистых веществ.
13. Работайте бензотриммером только на открытых пространствах и хорошо проветриваемых объектах. НИКОГДА не запускайте устройство в замкнутом помещении. Выхлопные газы при вдыхании могут привести к летальному исходу.
14. Область в радиусе 15 м вокруг работающего с бензотриммером должна рассматриваться, как зона повышенной опасности. Когда работают несколько человек, необходимо соблюдать дистанцию между ними, обеспечивающую безопасную работу.
15. Все виды обслуживания бензотриммера должны проводиться только в уполномоченных сервисных центрах.
16. Не производите заправку топливной смесью при работающем двигателе бензотриммера.
17. Используйте бензотриммер только по назначению.
18. Надежно удерживайте бензотриммер обеими руками.
19. Глушите двигатель при замене режущих частей.
20. Храните бензотриммер вдали источников, от которых может произойти воспламенение.
21. Во время заправки бензотриммера строго запрещается курение, зажигание огня и использование устройств, образующих искры!
22. Оборудуйте рабочее место средствами пожаротушения

НАЗНАЧЕНИЕ

Бензотриммер предназначен для резки травы и мелкого кустарника с помощью специальных ножей и специальной триммерной лески (далее –леска).

Запрещается резка любых других материалов! Все неисправности, возникающие по этой причине, не обеспечиваются гарантийным ремонтом.

Запрещается использование пильных дисков и других режущих насадок, не предназначенных для данного бензотриммера!

Бензотриммер не предназначен для точной резки, его основное назначение > черновая (грубая) резка без обеспечения реза высокой точности и качества.

РАСШИФРОВКА ДАТЫ ИЗГОТОВЛЕНИЯ ИЗДЕЛИЯ

Дата изготовления изделия зашифрована в серийном номере, напечатанном на корпусе инструмента. Первые 2 цифры обозначают год выпуска, следующие 2 цифры – месяц и следующие 2 цифры – день

№.

1	7	0	7	3	0	0	3	9	5
---	---	---	---	---	---	---	---	---	---

 ↓ ↓ ↓
 год месяц день

ТЕХНИЧЕСКИЕ ХАРАКТЕРИСТИКИ

	P73102/P73102A	P73102C
Объем двигателя	52 см ³	33 см ³
Номинальная мощность	2,3 л.с.	1,5 л.с.
Ширина среза: леска/нож	440/255 мм	440/255 мм
Диаметр лески	2,4 мм	2,4 мм
Тип штанги	неразъемная	неразъемная
Макс. число оборотов шпули	8500 об/мин	8500 об/мин
Топливо	бензин АИ-92 + масло для 2х тактных двигателей	
Объем топливного бака	1,2 л	1,2 л
Вес	7,9 кг	7,3 кг

Примечание:

Так как изделия постоянно совершенствуются, P.I.T. оставляет за собой право на внесение изменений в указанные здесь технические характеристики без предварительного уведомления.

КОМПЛЕКТ ПОСТАВКИ

Бензотриммер 1 шт.

Шпуля полуавтоматическая 1 шт.

Сменный нож 3-х лопастной 1 шт. (модель P73102A, P73102C)

Сменный нож 40-зубный с твердосплавными напайками 1 шт. (модель P73102)

Защитный кожух 1 шт.

Ремень наплечный 1 шт. (модель P73102A, P73102C)

Ремень ранцевый 1 шт. (модель P73102)

Винт фиксации рукоятки 4 шт.

U-образная рукоятка 1 шт.

Комплект инструментов 1 шт.

Руководство по эксплуатации 1 шт.

ОСОБЕННОСТИ

- Большая мощность в пересчете на 1 кг веса
- Проще и дешевле в изготовлении
- Приемистость двигателя, высокие рабочие обороты
- Высокая ремонтопригодность и доступность запасных частей

ВНЕШНИЙ ВИД ТРИММЕРА БЕНЗИНОВОГО



- | | |
|--|--|
| 1. Топливный бак | 9. Кожух защитный |
| 2. Ручка стартера | 10. Сменный нож 40-зубный с напайками (P73102) |
| 3. Блок воздушного фильтра | 11. Редуктор |
| 4. Трос управления дроссельной заслонкой | 12. Держатель ремня |
| 5. Выключатель зажигания | 13. Шпуля |
| 6. Выключатель акселератора | 14. Ранцевый ремень (P73102) |
| 7. U-образная рукоятка | 15. Заплечный ремень (P73102A, P73102C) |
| 8. Штанга | 16. Сменный нож 3-х лопастной (P73102A, P73102C) |

ПРАВИЛА ЭКСПЛУАТАЦИИ

Установка защитного кожуха

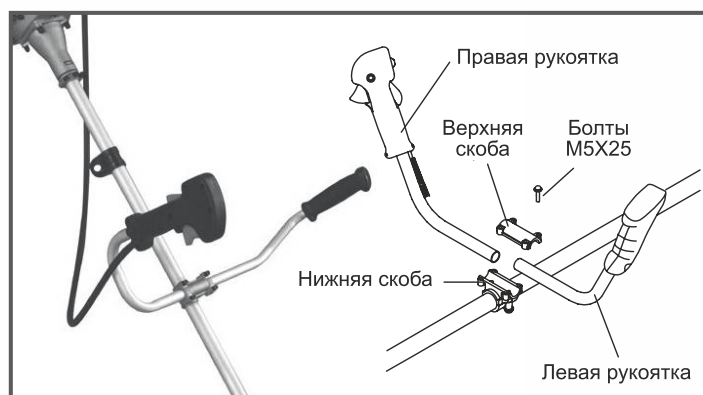
Установите на штангу защитный кожух и зафиксируйте его болтами
 Место установки болтов указано на кожухе. Оно зависит от того, что устанавливается > нож или триммерная головка.

Внимание!

При работе триммерной головкой необходимо установить на кожух фартук с ножом для обрезки корда. При работе ножом фартук необходимо снять с кожуха.

Установка рукояток

Установите рабочую рукоятку на штангу так, как показано на рисунке. Перед окончательной затяжкой болтов отрегулируйте рукоятку по высоте и углу наклона ручек, как вам удобнее для работы.



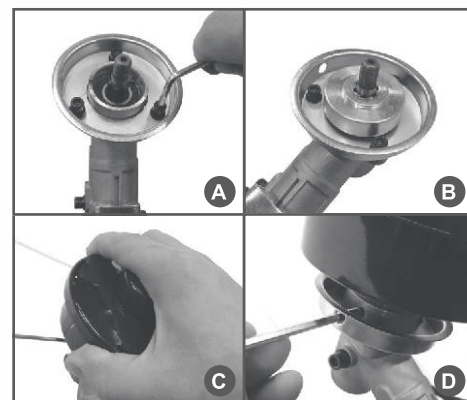
Установка ножа для травы

Установите на редуктор защитную чашку (А). Установите на редуктор защитную шайбу (В). При установке посадочное отверстие в ноже должно точно совпасть с выступом на шайбе (С). Установите прижимную шайбу ножа и закрутите гайку крепления ножа (левая резьба) (D). Совместите отверстие в чашке редуктора и защитной шайбе редуктора. Установите в отверстие металлический стопор и затяните гайку крепления ножа.



Установка триммерной головки

Установите на редуктор защитную чашку и защитную шайбу редуктора (А,В). Накрутите на вал редуктора триммерную головку (левая резьба) (С). Совместите отверстие в чашке редуктора и защитной шайбе редуктора. Установите в отверстие металлический стопор и затяните триммерную головку (D).



Приготовление топливной смеси

Для приготовления топливной смеси используйте моторное масло для двухтактных двигателей с воздушным охлаждением и неэтилированный бензин с октановым числом 92 в пропорции 1:50.

Внимание!

Для приготовления и хранения топливной смеси используйте специальную емкость для бензина. Запрещается использовать емкости из пищевого пластика. Запрещается приготавливать топливную смесь непосредственно в топливном баке.

Для приготовления топливной смеси запрещается использовать масло, предназначенное для двигателей с водяным охлаждением, масло для двухтактных двигателей, имеющих низкие максимальные обороты, масло для четырехтактных двигателей. Для определения пропорций смешивания используйте таблицу:

Соотношение масла и бензина для приготовления топливной смеси

Масло	Бензин	Соотношение
20 мл	1 л	1:50
100 мл	5 л	1:50
200 мл	10 л	1:50

Не запускайте двигатель, если топливо пролито. Протрите топливный бак от остатков пролитой смеси сухой чистой тряпкой или дождитесь его полного высыхания.

1. Вылейте в емкость половину приготовленного для работы бензина.
2. Добавьте необходимое количество рекомендованного моторного масла.
3. Плотно закройте крышку емкости.
4. Тщательно взболтайте топливную смесь в емкости.
5. Медленно откройте крышку емкости для того, чтобы выпустить воздух, после чего долейте оставшийся бензин.
6. Закройте емкость и вновь тщательно взболтайте.

Заправка топливного бака

1. Перед заправкой топливного бака остановите двигатель и дайте ему полностью остыть.
2. Заполняйте топливный бак на открытом воздухе или в хорошо проветриваемом помещении, вдали от источников возможного воспламенения.
3. Очистите от мусора поверхность рядом с крышкой топливного бака.
4. Медленно открутите крышку топливного бака.
5. Аккуратно залейте топливную смесь.
6. Полностью не заполняйте топливный бак, должно оставаться пространство для расширения топлива.
7. Плотно закрутите крышку топливного бака руками. Перед запуском насухо протрите топливный бак снаружи от остатков пролитого топлива.

Внимание!

Готовую к работе топливную смесь рекомендуется использовать в течение 30 дней. При длительном хранении топливная смесь окисляется, становится неоднородной и непригодной к применению.

Внимание!

Для приготовления топливной смеси используйте свежий качественный бензин. Тщательно выдерживайте соотношение бензин/масло. Никогда не заливайте чистый бензин для заправки двигателя Вашего триммера.

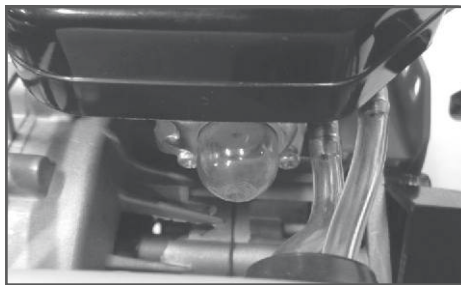
Внимание!

Выход из строя двигателя в результате использования не допустимого государственными стандартами качества топлива, работа на чистом бензине, работа на старой топливной смеси либо на смеси с неправильным соотношением бензин/масло, применение не рекомендованного или некачественного масла, не подлежит ремонту по гарантии.

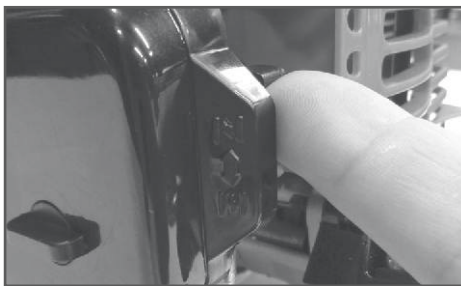
Запуск холодного двигателя

Внимание! Запрещена обкатка двигателя на холостых оборотах. Работа в течение длительного времени на холостых оборотах не рекомендуется в связи перегревом ЦПГ (цилиндро-поршневой группы) с последующим выходом ее из строя (задир поршня, залегание поршневых колец), что не является гарантийным случаем.

1. Установите триммер на ровной горизонтальной поверхности.
2. Заполните топливный бак свежеприготовленной топливной смесью.
3. Нажмите на ручной топливный насос 7–10 раз, до появления в нем топлива. Насос находится в нижней части карбюратора под корпусом воздушного фильтра.



4. Закройте воздушную заслонку. Для этого рычаг заслонки поднимите вверх.



5. Выключатель зажигания (A) установите в положение «I». Удерживая предохранительный рычаг (C) нажмите на курок газа (D). Для облегчения запуска зафиксируйте курок газа стопором (B).



6. Выберите свободный ход шнура стартера. Для этого потяните за ручку стартера до тех пор, пока не почувствуете сопротивление, затем произведите сильный рывок за ручку. Повторите эти действия 5–6 раз до первого запуска двигателя. Двигатель запускается только на короткое время и сразу глохнет.
7. После первого запуска откройте воздушную заслонку, для этого переведите рычаг управления воздушной заслонкой в нижнее положение. Затем произведите сильный рывок за ручку стартера 1–2 раза, двигатель должен запуститься. Переведите двигатель в режим работы на холостом ходу.
8. После запуска прогрейте двигатель в течение 1 минуты.

Запуск прогретого двигателя

При запуске теплого двигателя не закрывайте воздушную заслонку. Для облегчения запуска можно курок газа зафиксировать в нажатом состоянии. В остальном процедура запуска такая же, как на холодном двигателе.

Остановка двигателя

Для остановки двигателя отпустите курок газа, переведите двигатель в режим холостого хода и дайте поработать 15–20 секунд. Затем переведите выключатель зажигания в положение «0».

Внимание!

Режим холостого хода необходим для того, чтобы снизить температуру внутри двигателя. Мгновенная остановка двигателя может привести к резкому повышению температуры внутри двигателя и выходу его из строя.

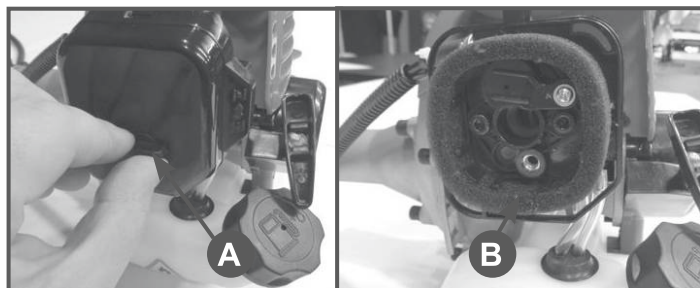
Перед началом работы целесообразно надеть наплечный ремень и подвесить на него триммер не запуская двигатель. Это позволит спокойно подогнать ремень по фигуре и росту, отрегулировать положение режущей гарнитуры относительно поверхности земли.

ТЕХНИЧЕСКОЕ ОБСЛУЖИВАНИЕ

Обслуживание воздушного фильтра

Внимание!

Никогда не работайте триммером без воздушного фильтра, с грязным или поврежденным воздушным фильтром. Пыль и грязь будут попадать в двигатель, что приведет к его поломке. Выход из строя карбюратора или двигателя при работе без фильтра, с грязным или поврежденным воздушным фильтром не подлежит ремонту по гарантии.



Открутите винт-барашек крышки воздушного фильтра, снимите крышку воздушного фильтра (А) и извлеките фильтрующий элемент (В). Поролоновый фильтр промойте в теплой мыльной воде, отожмите и просушите. Перед установкой поролоновый фильтр смочите чистым моторным маслом. Лишнее масло отожмите. Поврежденный или сильно загрязненный фильтр необходимо заменить.

Обслуживание топливного фильтра

Внимание!

Выход из строя карбюратора или двигателя при работе без фильтра, с грязным или поврежденным топливным фильтром не подлежит ремонту по гарантии.

Для проверки или замены топливного фильтра:

1. Снимите крышку топливного бака.
2. Согните кусок мягкого провода в виде небольшого крючка.
3. Зацепите крючком топливный шланг с фильтром и вытяните через заливную горловину.

Примечание!

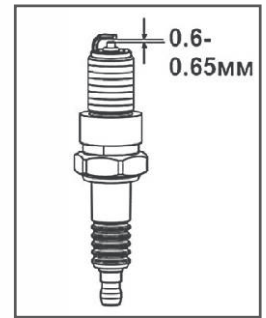
- Не вытягивайте топливный шланг полностью из бака. Достаточно вытащить наружу часть шланга с фильтром.
4. Отделите фильтр скручивающим движением.
 5. Установите новый фильтр. Верните топливный шланг в бак. Убедитесь, что фильтр лежит на дне бака.
 6. Установите крышку топливного бака.

Обслуживание свечи зажигания

Внимание!

Никогда не выкручивайте свечу, пока двигатель полностью не остыл опасность повреждения резьбовой части головки цилиндра.

1. Отсоедините колпачок свечи зажигания и удалите грязь вокруг свечи зажигания.
2. Открутите свечу зажигания свечным ключом.
3. Проверьте свечу зажигания. Если электроды изношены или повреждена изоляция, замените свечу.
4. Измерьте зазор между электродами свечи зажигания специальным щупом. Зазор должен быть 0,6–0,65 мм. При увеличении или уменьшении требуемого зазора рекомендуется заменить свечу, так как регулировка зазора может привести к изменению качества искрообразования.
5. Аккуратно закрутите свечу руками.
6. После того, как свеча зажигания установлена на место, затяните ее свечным ключом.
7. Установите на свечу колпачок.

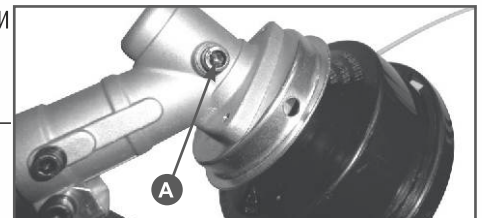


Внимание!

При установке новой свечи зажигания, для обеспечения требуемой затяжки, заверните свечу ключом на ½ оборота после посадки буртика свечи на уплотнительную шайбу. При установке, бывшей в эксплуатации свечи зажигания, для обеспечения требуемой затяжки заверните свечу ключом на ¼-½ часть оборота после посадки буртика свечи на уплотнительную шайбу.

Обслуживание редуктора

Через 20 часов работы, но не реже одного раза в сезон, необходимо проверять и добавлять смазку в редуктор. Для смазки редуктора и вала штанги рекомендуется использовать универсальную смазку для редуктора. Необходимо открутить болт (А) и с помощью шприц – масленки добавить смазку (примерно 5–10 см³). Приводной вал редуктора, который находится в штанге, рекомендуется смазывать через 100 часов работы.



УСЛОВИЯ ГАРАНТИЙНОГО ОБСЛУЖИВАНИЯ

1. Настоящее гарантийное свидетельство является единственным документом, подтверждающим Ваше право на бесплатное гарантийное обслуживание. Без предъявления данного свидетельства претензии не принимаются. В случае утери или порчи гарантийное свидетельство не восстанавливается.

2. Срок службы изделия установлен изготовителем и составляет 3 года со дня продажи потребителю, срок хранения инструмента 2 года. Не рекомендуется к эксплуатации по истечении 2 лет хранения с даты изготовления, которая указана в серийном номере на этикетке инструмента, без предварительной проверки (определение даты выпуска смотрите ранее в Руководстве пользователя). Гарантийный срок на инструмент составляет 12 месяцев со дня продажи, в течение гарантийного срока сервисная служба бесплатно устраняет производственные дефекты и производит замену деталей, вышедших из строя по вине изготовителя. На период гарантийного ремонта эквивалентный исправный инструмент не предоставляется. Заменяемые детали переходят в собственность служб сервиса. Компания P.I.T. не несет ответственности за вред, который может быть причинен при работе с инструментом.

3. Запрещается эксплуатация инструмента при проявлении признаков повышенного шума в редукторной части. Для выяснения причин неисправности покупателю следует обратиться в гарантийную мастерскую.

В гарантийный ремонт инструмент принимается в чистом виде, при обязательном наличии надлежащим образом оформленных документов: настоящего гарантийного свидетельства, гарантийного талона, с полностью заполненными полями, штампом торговой организации и подписью покупателя.

Владелец инструмента доверяет проведение диагностики в сервисном центре в свое отсутствие.

4. Гарантийный ремонт не производится в следующих случаях:

4.1. по истечении срока гарантии;

4.2. при отсутствии гарантийного свидетельства и гарантийного талона или неправильном их оформлении;

4.3. если гарантийное свидетельство или талон не принадлежат данному инструменту или не соответствует установленному поставщиком образцу;

4.4. при попытках самостоятельного вскрытия или ремонта инструмента вне гарантийной мастерской;

4.5. при появлении неисправностей, вызванных действием непреодолимой силы (несчастный случай, пожар, наводнение, удар молнии и т.п.);

4.6. при неправильной эксплуатации (использование инструмента не по назначению, установки на инструмент не предназначенных заводом-изготовителем насадок, дополнительных приспособлений и т.п.);

4.7. при механических повреждениях корпуса или инструмента;

4.8. при повреждениях, вызванных воздействиями агрессивных средств, высоких или низких температур, а также при повреждениях, наступивших в результате неправильного хранения инструмента (коррозия металлических частей);

4.9. использование инструмента не по назначению, указанному в инструкции по эксплуатации;

4.10. при возникновении повреждений в связи с несоблюдением предусмотренных инструкцией условий эксплуатации (см. главу Указание по технике безопасности в инструкции);

4.11. повреждение изделия вследствие несоблюдения правил хранения и транспортировки.

4.12. на обычное техническое обслуживание, а так же промывку топливной системы и устранение забиваний (в результате действия химикатов, грязи, углеродистых и известковых отложений и т.п.).

4.13. гарантия не распространяется на поломки, связанные с нормальным износом: бензоинструмент, так же, как и все технически сложное оборудование, нуждается в должном техническом обслуживании. Гарантия не распространяется на ремонт, потребность в котором возникает вследствие нормального износа, сокращающего срок службы таких частей инструмента, как стартера, свечи зажигания, пильные цепи, шины, диски, ножи, звездочки, цанговые зажимы, элементы натяжения и крепления, головки триммеров, фильтры и т.п. (сменные принадлежности); естественный износ (полная выработка ресурса, сильное внутреннее или внешнее загрязнение); оборудование и его части, выход из строя которых стал следствием неправильной установки, несанкционированной модификации, неправильного применения, нарушением правил обслуживания или хранения;

4.14. на выход из строя поршневой группы из-за несоблюдения требований к составлению топливной смеси, к безусловным признакам которого относятся продольные задиры поршневой группы, залегание поршневых колец, перегрев.

4.15. гарантия не распространяется на быстроизнашивающиеся детали, например: приводные ремни, сальники, защитные кожухи, направляющие ролики, направляющие, резиновые уплотнения, подшипники, зубчатые ремни и колеса, ленты тормоза, храповики и тросы стартеров, поршневые кольца, присоединительные контакты, указатели уровня масла, топливные отстойники и т.п.

Замена их в течение гарантийного срока является платной услугой.

О возможных нарушениях, изложенных выше условий гарантийного обслуживания, владельцу сообщается после проведения диагностики в сервисном центре.



P.I.T. WARRANTY SHEET

Name _____
Serial number _____
The date of sale 201____
The date of receipt of the repair 201____



Name _____
Serial number _____
Date of sale "" _____
(Filled by seller)

Seal is here

WARRANTY REPAIR CARD

date of acceptance for repair ____ 201____ .
Application for repair _____
Customer _____
Telephone (address) _____
The reason for petition _____
Tool checked in my presence _____
(The order is filled in the service center) (signature)

Seal is here

Name _____
Serial number _____
The date of sale 201____
The date of receipt of the repair 201____



Name _____
Serial number _____
Date of sale "" _____
(Filled by seller)

Seal is here

WARRANTY REPAIR CARD

date of acceptance for repair ____ 201____ .
Application for repair _____
Customer _____
Telephone (address) _____
The reason for petition _____
Tool checked in my presence _____
(The order is filled in the service center) (signature)

Seal is here

Name _____
Serial number _____
The date of sale 201____
The date of receipt of the repair 201____



Name _____
Serial number _____
Date of sale "" _____
(Filled by seller)

Seal is here

WARRANTY REPAIR CARD

date of acceptance for repair ____ 201____ .
Application for repair _____
Customer _____
Telephone (address) _____
The reason for petition _____
Tool checked in my presence _____
(The order is filled in the service center) (signature)

Seal is here

ГАРАНТИЙНЫЙ ТАЛОН P.I.T.

Наименование _____
 Серийный номер _____
 Дата продажи «__» _____ 201__ г.
 Дата получения из ремонта «__» _____ 201__ г.



Наименование _____
 Серийный номер _____
 Дата продажи «__» _____ 201__ г.
 (Заполняется продавцом)

М.П.

КАРТА ГАРАНТИЙНОГО РЕМОНТА __
 Дата приема в ремонт __ _____ 201__ г.
 Заявка на ремонт _____
 Заказчик _____
 Телефон(адрес) _____
 Причина обращения _____
 Дата получения из ремонта __ _____ 201__ г.
 Инструмент проверен в моем присутствии _____
 (Заказ заполняется в сервисном центре) (подпись)

М.П.

Наименование _____
 Серийный номер _____
 Дата продажи «__» _____ 201__ г.
 Дата получения из ремонта «__» _____ 201__ г.



Наименование _____
 Серийный номер _____
 Дата продажи «__» _____ 201__ г.
 (Заполняется продавцом)

М.П.

КАРТА ГАРАНТИЙНОГО РЕМОНТА __
 Дата приема в ремонт __ _____ 201__ г.
 Заявка на ремонт _____
 Заказчик _____
 Телефон(адрес) _____
 Причина обращения _____
 Дата получения из ремонта __ _____ 201__ г.
 Инструмент проверен в моем присутствии _____
 (Заказ заполняется в сервисном центре) (подпись)

М.П.

Наименование _____
 Серийный номер _____
 Дата продажи «__» _____ 201__ г.
 Дата получения из ремонта «__» _____ 201__ г.



Наименование _____
 Серийный номер _____
 Дата продажи «__» _____ 201__ г.
 (Заполняется продавцом)

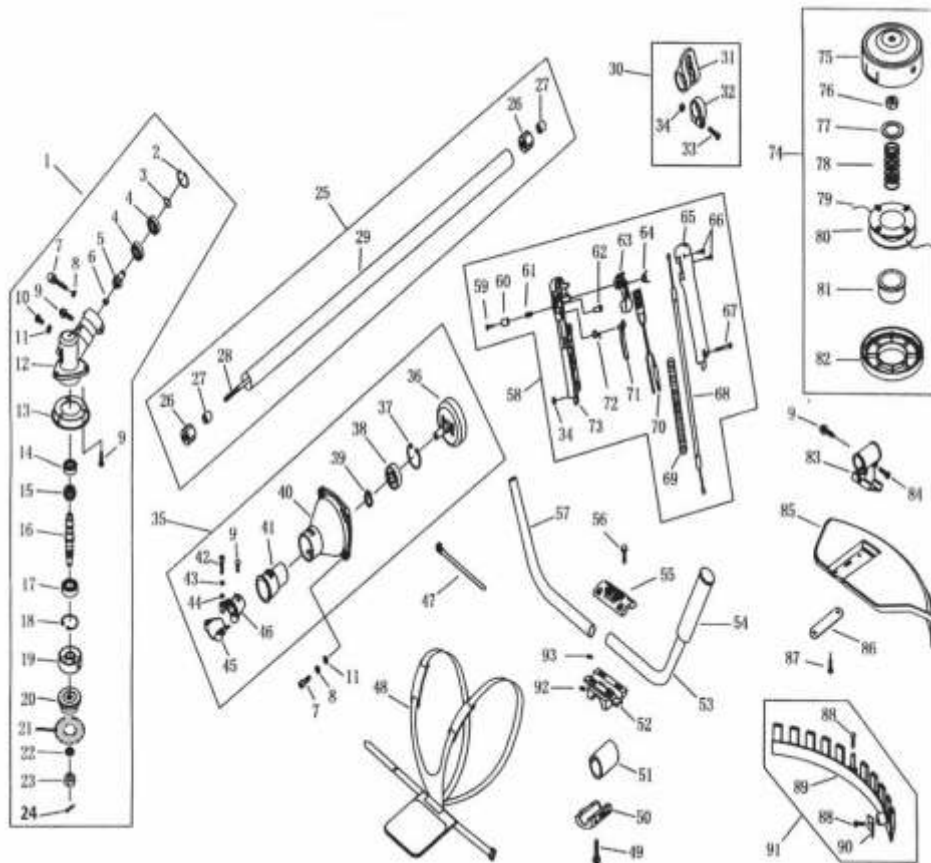
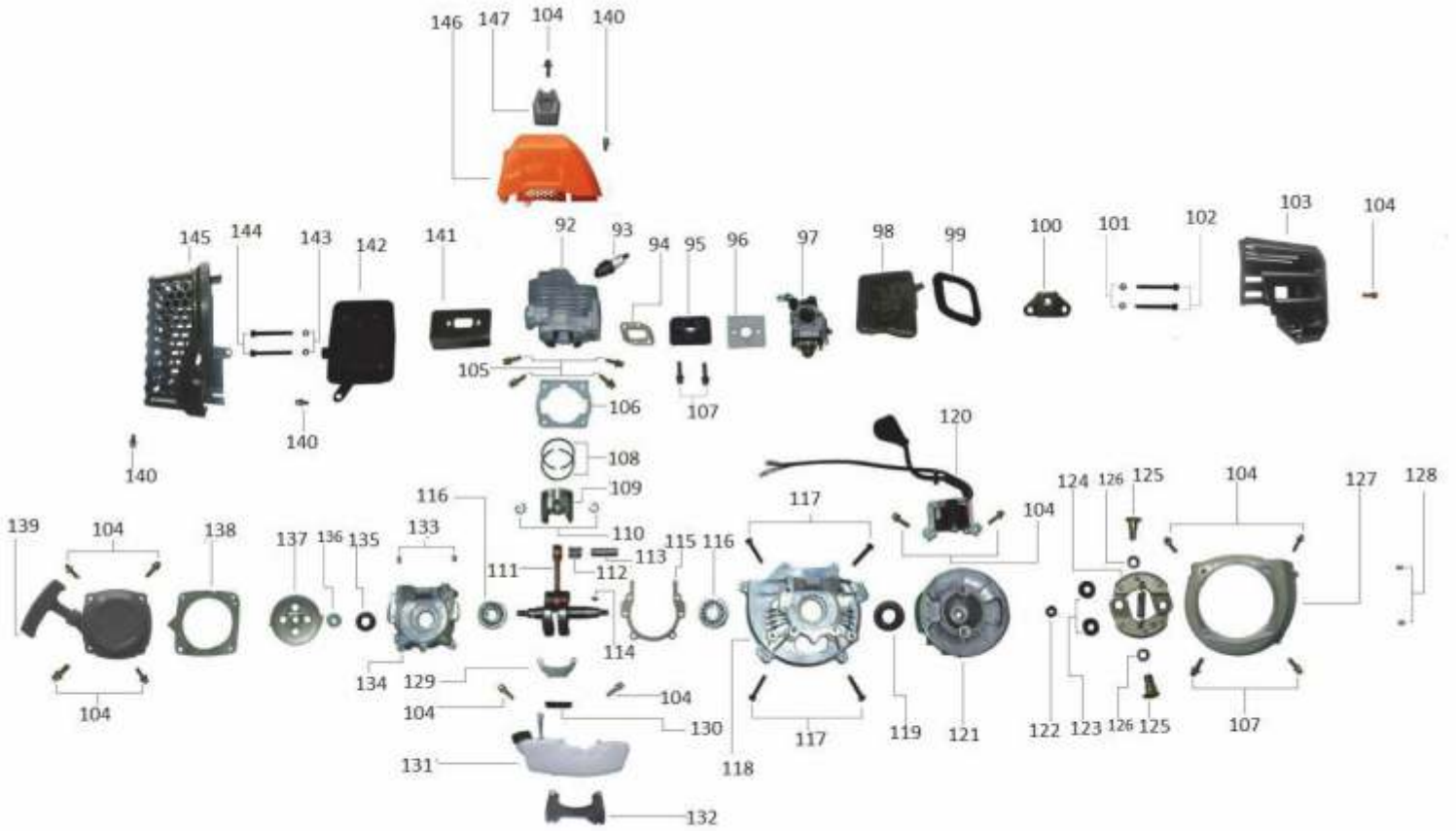
М.П.

КАРТА ГАРАНТИЙНОГО РЕМОНТА __
 Дата приема в ремонт __ _____ 201__ г.
 Заявка на ремонт _____
 Заказчик _____
 Телефон(адрес) _____
 Причина обращения _____
 Дата получения из ремонта __ _____ 201__ г.
 Инструмент проверен в моем присутствии _____
 (Заказ заполняется в сервисном центре) (подпись)

М.П.

P.I.T. WARRANTY SHEET / ГАРАНТИЙНЫЙ ТАЛОН P.I.T.

SCHEME / СХЕМА





Поставщик: Китай Xinjiang Longbo Industrial Co., Ltd.

Адрес производства: Rm. 602, 6th Floor, No. 531, Weixing Road, Economic And Technological Development Zone, Urumqi, Xinjiang, China

Импортер: ООО «Турбо-Тулс»

Юридический адрес: 117246, г. Москва, ул. Херсонская, 43 - 670

Вопросы и предложения направляйте по адресу:

614058, г. Пермь, ул. Фоминская, 36

info@pittools.ru

Сделано в КНР

