



P.I.T.[®]

Progressive Innovational Technology



PRODUCT PASSPORT
USER'S MANUAL



ПАСПОРТ ИЗДЕЛИЯ ИНСТРУКЦИЯ
ПОЛЬЗОВАТЕЛЯ

CHAIN SAW SHARPENER СТАНОК ДЛЯ ЗАТОЧКИ ЦЕПЕЙ



EAC

PCSS1001-C

PROGRESSIVE INNOVATIONAL TECHNOLOGY

ПРОГРЕССИВНЫЕ ИННОВАЦИОННЫЕ ТЕХНОЛОГИИ



GENERAL SAFETY PRECAUTIONS

- Always check that the mains voltage corresponds to the voltage indicated on the tool nameplate.
 - This product has double insulation. Therefore, grounding is not required.
 - Regularly check the power cord and plug for damage. Refer to a qualified electrician for replacement if necessary.
 - Immediately discard the old power cord or plug after replacement.
 - It is not recommended to use excessively long extension cords.
 - If you use an extension cord on the coil, it must be fully unwound.
 - It is strictly forbidden to direct the electric spray gun nozzle at people or animals. Avoid spraying paint on the skin.
 - It is allowed to use paints and solvents at which temperature of ignition is not lower than 32°C.
 - Work only in well ventilated areas.
 - It is not recommended to operate the spray gun without the bell.
 - It is forbidden to work with the spray gun in areas where there is a possibility of fire or explosion.
 - It is recommended that you carefully study the operating room for signs of danger before you commence work.
 - Sprayed paints can be life threatening. Be sure to carefully examine the markings on the paint can.
 - Wear safety goggles and a paint mask or respirator when working.
 - It is recommended to work in protective headphones.
 - Keep the electric spray gun, paint tank and nozzle clean.
 - Do not spray paint near fire sources.
 - It is strictly forbidden to smoke while working.
 - Carefully read the recommendations of the paint manufacturer for its dilution.
 - Before filling the paint tank or clean the nozzle, disconnect the appliance from the power supply.
- Unplug the electric spray gun immediately if:**
- You have detected a failure or malfunction in the power cable.
 - In case of breakage of the on/off control.
 - In case of smoke or smell of burnt insulation.

Specifications

Motor	220V,50Hz,85Watts
Rpm's	5500 r/min
Table/Vise Angles	35 Degrees Right to Left
Arbor Diameter	23mm
Wheel Dimensions	108mmDia. X 3.2mm Thick
Overall Dimensions	34mm L x 24mm W x 16mmH
Weight	2.2kgs

Save This Manual

You will need the manual for the safety warnings and precautions, assembly instructions, operating and maintenance procedures, parts list and diagram. Keep the manual in a safe and dry place for future reference.

Safety Warnings and Precautions

WARNING: When using tools, basic safety precautions should always be followed to reduce the risk of personal injury and damage to equipment.

Read all instructions before using this tool!

1. **Keep work area clean.** Cluttered areas invite injuries.
2. **Observe work area conditions.** Do not use machines or power tools in damp or wet locations. Don't expose to rain. Keep work area well lighted. Do not use electrically powered tools in the presence of flammable gasses or liquids.
3. **Keep children away.** Children must never be allowed in the work area, Do not let them handle machines, tools, or extension cords.
4. **Store idle equipment.** When not in use, tools must be stored in a dry location to inhibit rust. Always lock up tools and keep out of reach of children.
5. **Use the right tool for the job.** Do not attempt to force a small tool or attachment to do the work of a larger industrial tool. There are certain applications for which this tool was designed. It will do the job better and more safely at the rate for which it was intended. Do not modify this tool and do not use this tool for a purpose for which it was not intended.
6. **Dress properly.** Do not wear loose clothing or jewelry as they can be caught in moving parts. Protective, electrically non-conductive clothes and no-skid footwear are recommended when working. Wear restrictive hair covering to contain long hair
7. **Use eye and ear protection.** Always wear ANSI approved impact safety goggles. Wear a full face shield if you are producing metal filings or wood chips.
8. **Do not overreach.** Keep proper footing and balance at all times. Do not reach over or across running machines.

9. **Maintain tools with care.** Keep tools sharp and clean for better and safer performance. Follow instructions for lubricating and changing accessories. Inspect tool cords periodically and if damaged, have them repaired by an authorized technician. The handles must be kept clean, dry, and free from oil and grease at all times.
10. **Avoid unintentional starting.** Be sure the switch is in the Off position when not in use and before plugging in.
11. **Stay alert.** Watch what you are doing, use common sense. Do not operate any tool when you are tired.
12. **Check for damaged parts.** Before using any tool, any part that appears damaged should be carefully checked to determine that it will operate properly and perform its intended function. Check for alignment and binding of moving parts; any broken parts or mounting fixtures; and any other condition that may affect proper operation. Any part that is damaged should be properly repaired or replaced by a qualified technician. Do not use the tool if any switch does not turn On and Off properly.
13. **Guard against electric shock.** Prevent body contact with grounded surfaces such as pipes, radiators, ranges, and refrigerator enclosures.
14. **Replacement parts and accessories.** When servicing, use only identical replacement parts. Use of any other parts will void the warranty. Only use accessories intended for use with tool.
15. **Do not operate tool if under the influence of alcohol or drugs.** Read warning labels on prescriptions to determine if your judgment or reflexes are impaired while taking drugs. If there is any doubt, do not operate the tool.
16. **Use proper size and type extension cord.** If an extension cord is required, it must be of the proper size and type to supply the correct current to the tool without heating up. Otherwise, the extension cord could melt and catch fire, or cause electrical damage to the tool. This tool requires use of an extension cord of **0 to 10 amps** capability (up to 50 feet),with wire size rated at **18 AWG**. Longer extension cords require larger size wire. If you are using the tool outdoors, use an extension cord rated for outdoor use.
17. **Maintenance.** For your safety, maintenance should be performed regularly by a qualified technician.
18. Never use the Electric Chainsaw Sharpener around flammable materials.

Note: Performance of this tool (if powered by line voltage) may vary depending on variations in local line voltage. Extension cord usage may also affect tool performance.

Warning: The warnings, cautions, and instructions discussed in this instruction discussed in this instruction manual cannot cover all possible conditions and situations that may occur. It must be understood by the operator that common sense and caution are factors which cannot be built into this product, but must be supplied by the operator of the tool.

Additional Safety Warnings

Grinding Wheel Warnings

1. Do not use a grinding wheel if it is chipped, cracked, or worn. You can check if the wheel has cracks not visible to the human eye by hanging it up by the central hole and tapping it with a non-metal object (ie: screwdriver handle). If it is in good condition it will produce a metallic sound. A dull sound indicates a crack or break.
2. Only use grinding wheels that fit the arbor (7/8"). Do not try to change or modify the mounting hole on a grinding wheel to make it fit.
3. Do not over-tighten the **Grinder Lock Cap (#9)**. Hand tighten it only. Over-tightening may cause the wheel to break or disintegrate.
4. Never use the chain saw sharpener without the **Grinding Wheel Cover (#11)** in place.
5. Always test the **Grinding Wheel (#8)** by running it for a minute prior to contact with a chain.
6. Keep away from the wheel when it is turning, and make sure no one is standing close, in the line of the wheel rotation trajectory.
7. If the grinding wheel vibrates, turn off the machine immediately and check that it is mounted securely, and that it is not damaged.
8. Never try to stop the grinding wheel with your hands, even if you are wearing safety gloves. The wheel will cut through gloves and your hand, causing serious injury.
9. Never operate tool without the **Grinding Wheel Cover** in place.
10. Replacement grinding wheel listed speed must meet or exceed RPM rating of the tool.

Warning!!: This machine is designed to sharpen chain saw chains. Do not attempt to sharpen any other tools and do not attempt to grind any other objects.

Unpacking

When unpacking, check to make sure the parts listed on page 9 are included.

Assembly

1. When installing the sharpener on a workbench, make sure that the **lock wheel (#18)** (is accessible as shown in the mounting picture in **FIGURE 1**.
2. Bolt (bolts not included) the unit directly to the workbench through the two 1/4" holes on the **base (#17)**. The workbench must have a solid surface capable of supporting the weight of this sharpener, the work-piece and assorted tools. See **FIGURE 2**.



Warning ! Always unplug the unit before changing grinding wheels, or when making any adjustments to the Sharpener.

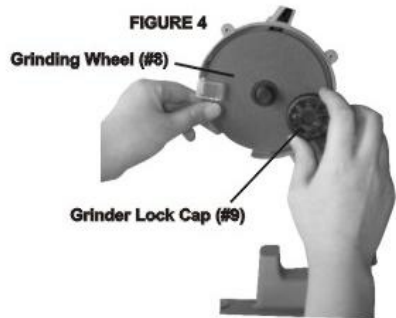
Mounting a Grinding Wheel

Refer to the assembly drawing on page 10 and **FIGURE 3** and **FIGURE 4** below.

1. Raise the **Top Housing (#4)** and lock it in the up position by tightening the **Lock Stop (#6)**
2. Remove the two screws holding the **Grinding Wheel Cover (#11)**, Set the cover aside.
3. Unscrew the **Grinder Lock Cap (#9)** that holds the **Grinding Wheel (#8)** in place.
4. Install the new wheel on the **Grinding Wheel Base (#7)**, making sure it fits properly.

Note : Do not use a grinding wheel if it chipped, cracked, or worn. You can check if the wheel has cracks not visible to the human eye by hanging it up by the central hole and tapping it with a non metal object (ie: screwdriver handle). If it is in good condition it will produce a metallic sound. A dull sound indicates a crack or break.

5. Replace the **Grinder lock Cap (#9)**.
6. Replace the **Grinding Wheel Cover (#11)**.
7. Release the **Lock Stop (#6)** and lower the **Top Housing (#4)**.
8. Never operate tool without the Grinding Wheel Cover in place.



Operation

Warning ! Always unplug the unit while adjusting chain to be sharpened.

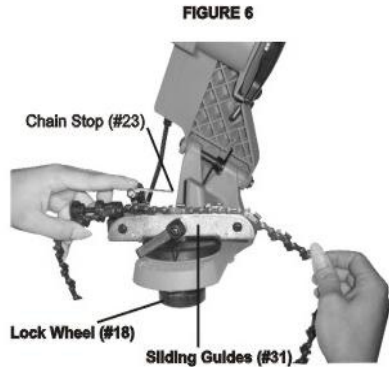
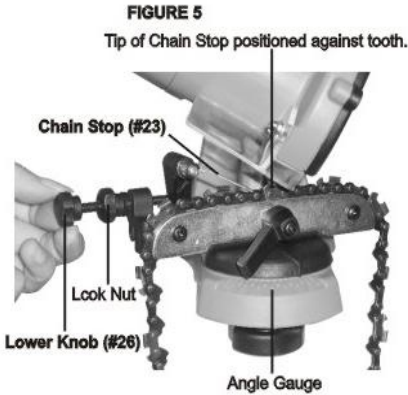
Refer to the assembly drawing on page 10 and the various photographs.

Note: Raise the **Top Housing (#4)** while adjusting the chain.

1. Clean the chain before sharpening it. Wash it with a non-flammable solvent. Don't not use Gasoline to dry the chain.

Operation (continued)

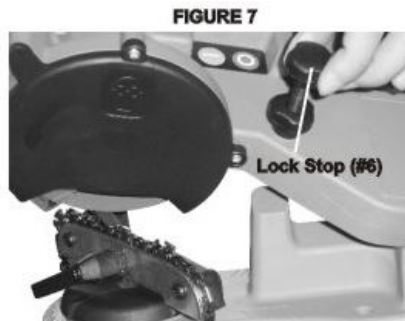
2. Lift up the **Chain Stop (#23)** and secure the chain in the **sliding Guides (#31)**. See **FIGURE 6**.
3. Lower the **Chain Stop (#23)** so that it is positioned on the tooth (blade) you want to start with. See **FIGURE 5**.



4. See **FIGURES 5&6**. Loosen the **LOCK Wheel (#18)** to allow entire housing to turn. Rotate the housing to match the degree of angle you need on the Angle Gauge. Chains come in various sizes with varying degrees of sharpening angles. Check with your chain manufacturer's manual to determine what degree you need to sharpen at. Once the degree is set, tighten the **Lock Wheel (#18)**.
5. Lower the **Top Housing (#4)** so that the **Grinding Wheel (#8)** skims the chain tooth.

6. Hold it at that position while you Tighten the **Lock Stop (#6)** so that the Wheel will only go down to that point See **FIGURE 7**.

7. Depending on the amount of material you wish to remove, tighten or loosen the **Lower Knob (#26)** and set the Lock Nut. See **FIGURE 5**. The **Lower Konb (26)** has a Lock Nut, which will determine how much material is removed. Once you set the Lock Nut, fully tighten the **Lower Knob (#26)**.

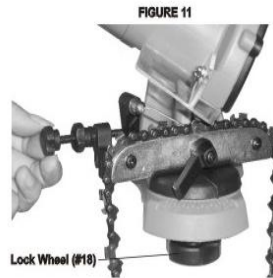


Operation(continued)

5.After you finished sharpening all of the teeth on the chain, turn off the machine by pushing the red button on the **Switch Plate(#5)** and unplug the unit.

6.Loosen the **Lock Wheel(#18)**and reset the angle so that the first tooth that hasn't been sharpened is positioned against the **Chain Stop (#23)** and locked in as explained on page 6. See **FIGURE 11**.

7.As you did with the first half of the chain, be sure to lower the **Top Housing(#4)** so that the **Grinding Wheel (#8)** skims the chain tooth, and lock it in place. See page6. Follow all of the steps on page 6 double checking everything before you plug in the machine and turn it on again.



Remember to turn off the machine and unplug it if you need to make any adjustments.

8.After you repeat all of the steps under sharpening on page7, your chain is ready to be mounted on your saw.

Maintenance

- 1.Keep the Sharpener clean and free of dust, metal debris and dirt.
- 2.Check the grinding wheel before each use to make sure it isn't damaged. Do not use a grinding wheel if it is chipped, cracked, or worn. You can check if the wheel has cracks not visible to the human eye by hanging it up by the central hole and tapping it with a non metal object (ie: screwdriver handle). If it is in good condition it will produce a metallic sound. A dull sound indicates a crack or break.
- 3.Replace the grinding wheel when it grinds down to a diameter of 3 inches.

TERMS OF WARRANTY SERVICE

1. This Warranty Certificate is the only document that confirms your right to free warranty service. Without presenting this certificate, no claims are accepted. In case of loss or damage, the warranty certificate is not restored.
2. The warranty period for the power tool is 12 months from the date of sale, during the warranty period the service department eliminates manufacturing defects and replaces parts that have failed due to the fault of the manufacturer free of charge. In the warranty repair, an equivalent operable product is not provided. Replaceable parts become property of service providers.

P.I.T. is not liable for any damage that may be caused by operation of the electric machine.

3. Only clean tool accompanied with the following duly executed documents: this Warranty Certificate, Warranty Card, with all fields filled out, bearing the stamp of the trade organization and the signature of the buyer, shall be accepted for warranty repair.

4. Warranty repair is not performed in the following cases:

- in the absence of a Warranty Certificate and a Warranty Card or their incorrect execution;
- with failure of both a rotor and a stator of the electric engine, charring or melting of primary winding of the welding machine transformer, charging or starting-charging device, with internal parts melting, burn down of electronic circuit boards;
- if a Warranty Certificate or a Warranty Card does not correspond to this electric machine or to the form established by the supplier;
- upon expiration of the warranty period;
- at attempts of opening or repair of the electric machine outside the warranty workshop; making constructive changes and lubrication of the tool during the warranty period, as evidenced, for example, by the creases on the spline parts of the fasteners of non-rotational parts.
- when using electric tools for production or other purposes connected with making a profit, as well as in case of malfunctions related to instability of the power network parameters exceeding the norms established by GOST;
- in the events of improper operation (use the electric machine for other than intended purposes, attachments to the electric machine of attachments, accessories, etc. not provided by the manufacturer);
- with mechanical damage to the case, power cord and in case of damages caused by aggressive agents and high and low temperatures, ingress of foreign objects in the ventilation grids of the electric machine, as well as in case of damage resulting from improper storage (corrosion of metal parts);
- natural wear and tear on the parts of the electric machine, as a result of long-term operation (determined on the basis of the signs of full or partial depletion of the specified mean life, great contamination, presence of rust outside and inside the electric machine, waste lubricant in the gearbox);
- use of the tool the purposes for other than specified in the operating instructions.
- mechanical damages to the tool;
- in the event of damages due to non-observance of the operating conditions specified in the instruction (see chapter "Safety Precautions" of the Manual).
- damage to the product due to non-observance of the rules of storage and transportation.

Preventive maintenance of electric machines (cleaning, washing, and lubrication, replacement of anthers, piston and sealing rings) during the warranty period is a paid service.

The service life of the product is determined by the manufacturer and is 2 years from the date of manufacture,

The owner is notified of any possible violations of the above terms of warranty service upon completion of diagnostics in the service center.

The owner of the tool entrusts the diagnostic procedure to be conducted in the service center in his absence.

Do not operate the electric machine when there are signs of excessive heat, sparking, or noise in the gearbox. To determine the cause of the malfunction, the buyer should contact the warranty service center.

Malfunctions caused by late replacement of carbon brushes of the engine are eliminated at the expense of the buyer.

5. The warranty does not cover:

- replacement of parts (accessories and furniture), for example: accumulators, disks, knives, drills, bores, cartridges, chains, sprockets, collet clamps, buses, tensioning elements and fasteners, trim tabs, pads of grinders and tape machines, etc.
- quick-wear parts, for example: carbon brushes, drive belts, glands, protective covers, guide rollers, guides/rails, rubber seals, bearings, timing belts and wheels, shafts, brake band, ratchet wheels and starter cables, piston rings, etc. Replacing them during the warranty period is a paid service.
- power cords, in case of insulation damage, power cords are subject to mandatory replacement without the consent of the owner (paid service),
- casing of machine.

P.I.T. WARRANTY CERTIFICATE

Product Name _____

Product Number

Place of Seal

Serial Number

Sale Date _____

Trade Organization Name _____

Dear customer!

Thank you for purchasing the P.I.T tool, and we hope that you will be satisfied with your choice. In the process of manufacturing the P.I.T tools pass multilevel quality control, if nevertheless your product will need maintenance, please contact the authorized P.I.T service centers.

Attention!

When buying, ask a seller to check the completeness and operability of the tool, to fill out the Warranty Certificate, the Warranty Card (the boxes shall be filled out by a seller) and to affix the seal of the trade organization in the Guarantee Certificate and the Warranty Card.

Warranty

By this Warranty Certificate, P.I.T. company guarantees the absence of defects of the production nature.

In the event any of the above defects are detected during the warranty period, the specialized P.I.T. service centers shall repair the product and replace the defective spare parts free of charge.

The warranty period for P.I.T. electric machines is 12 months from the date of sale.

“The warranty maintenance terms acknowledged and accepted. The operability and completeness of the product are checked in my presence. No claims on quality and appearance.”

Buyer’s Signature _____ Surname (legibly) _____

Phone _____

ОБЩИЕ МЕРЫ БЕЗОПАСНОСТИ

- Всегда проверяйте соответствие напряжения сети питания напряжению, указанному на шильдике инструмента.
 - Данное изделие имеет двойную изоляцию. Поэтому заземление не требуется.
 - Регулярно проверяйте шнур питания и вилку на предмет повреждений. При необходимости заменить обратитесь к квалифицированному электрику.
 - Немедленно выбрасывайте старый шнур питания или вилку после замены.
 - Не рекомендуется использовать чрезмерно длинные удлинители шнура питания.
 - Если Вы используете удлинитель на катушке, то он должен быть полностью размотан.
 - Строжайше запрещается направлять сопло электрического распылителя на людей или животных. Избегайте распыления краски на кожу.
 - Разрешается использовать краски и растворители, у которых температура возгорания не ниже 32°C.
 - Работайте только в хорошо вентилируемых помещениях.
 - Не рекомендуется эксплуатировать распылитель без раструба.
 - Запрещается работать с распылителем в помещениях, где есть вероятность возгорания или взрыва.
 - Рекомендуется внимательно изучить рабочее помещение на предмет возникновения опасности перед тем, как приступить к работе.
 - Распыляемые краски могут быть опасны для жизни. Обязательно внимательно изучите маркировку на банке с краской.
 - Во время работы обязательно наденьте защитные очки, а также малярную маску или респиратор.
 - Рекомендуется работать в защитных наушниках.
 - Следите за чистотой электрического распылителя, резервуара для краски и сопла.
 - Запрещается распылять краску рядом с источниками огня.
 - Строжайше запрещено курить в процессе работы.
 - Внимательно прочтите рекомендации производителя краски по ее разбавлению.
 - Перед тем, как заполнять резервуар для краски или чистить сопло, отключите изделие от сети питания.
- Немедленно отключите электрический распылитель от сети, если:**
- Вы обнаружили поломки или неисправности в кабеле электропитания.
 - При поломке выключателя.
 - При появлении дыма или запаха горелой изоляции.

1. ОБЩИЕ СВЕДЕНИЯ

В инструкции подробно описан процесс подготовки, запуска и технического ухода за станком по заточке цепей. Следуйте данным инструкциям, и станок станет для Вас надежным помощником на долгие годы.

Внимание!

Перед началом использования станка внимательно ознакомьтесь с данным руководством по эксплуатации.

Представленная документация содержит минимально необходимые сведения для применения изделия. Компания-производитель вправе вносить в конструкцию усовершенствования, не изменяющие правила и условия эксплуатации, без отражения их в эксплуатационной документации. Дата производства отражена в серийном номере устройства (с 16-го по 19-ый символ, в формате ггмм).

2. ПРАВИЛА БЕЗОПАСНОСТИ

Станок для заточки цепей является оборудованием повышенной опасности. Строго соблюдайте следующие правила техники безопасности. Прочитайте и запомните эти указания до того, как приступите к работе. Используйте изделие только по его прямому назначению, указанному в паспорте.

Вовремя проводите необходимое обслуживание. Любое изменение или модификация инструмента запрещается, так как это может привести к поломке и/или травмам.

Если Вы не имеете навыков в работе с устройством, настоятельно рекомендуется предварительно проконсультироваться у специалиста или опытного пользователя.

Устройство не предназначено для использования лицами (включая детей) с пониженными физическими, сенсорными или умственными способностями или при отсутствии у них опыта или знаний, если они не находятся под контролем или не проинструктированы об использовании прибора лицом, ответственным за их безопасность.

Внимание!

Не допускается работа при любых неисправностях устройства! Отключите устройство от источника электропитания перед проведением любых регулировок, технического обслуживания, или при хранении.

2.1 Каждый раз перед использованием устройства необходимо произвести его наружный осмотр на предмет отсутствия повреждений, надежности крепления узлов и деталей, целостности шнура питания.

2.2 Убедитесь в безопасности рабочего места: оно должно быть чистым и хорошо освещённым.

2.3 Используйте защитный головной убор при работе. Надевайте маску или респиратор при работе с пылеобразующими материалами. Всегда носите защитные очки.

2.4 Инструмент должен быть подключен к сети с напряжением, соответствующим напряжению, указанному в технических характеристиках. Пониженное напряжение может привести к перегрузке инструмента. Род тока - переменный, однофазный.

2.5 Отключайте инструмент при перерывах в работе, транспортировке и чистке.

2.6 Держите руки на безопасном расстоянии от движущихся деталей механизма. Избегайте попадания любых частей тела в движущиеся детали инструмента во время выполнения рабочих операций. Не оставляйте ручной электроинструмент без присмотра во время работы механизма.

2.7 Запрещено работать инструментом под воздействием алкоголя или лекарств, которые могут повлиять на скорость вашей реакции.

2.8 Не работайте с инструментом, когда Вы устали или не имеете возможности контролировать рабочий процесс. Будьте внимательны весь период работы.

2.9 Не используйте в работе станок, если цепь установлена или закреплена неправильно.

2.10 Всегда используйте станок только при спущенном защитном экране.

2.11 Не используйте заточные круги, максимальная скорость которых ниже скорости станка.

2.12 Не используйте заточные круги, размеры которых не соответствуют размерам, указанным в технических характеристиках. Не пользуйтесь никакими переходниками при установке круга в шпиндель.

2.13 Избегайте размещения шнура питания вблизи действия заточного круга.

2.14 Не допускается наличие возгораемых материалов в непосредственной близости со станком по причине повышенной опасности возгорания.



3. КОМПЛЕКТАЦИЯ

В стандартный комплект поставки станка для заточки цепей входят:

Станок для заточки цепей – 1 шт.

Заточный круг – 1 шт.

Паспорт – 1 шт.

Упаковка – 1 шт.

4. ОБЩИЙ ВИД УСТРОЙСТВА

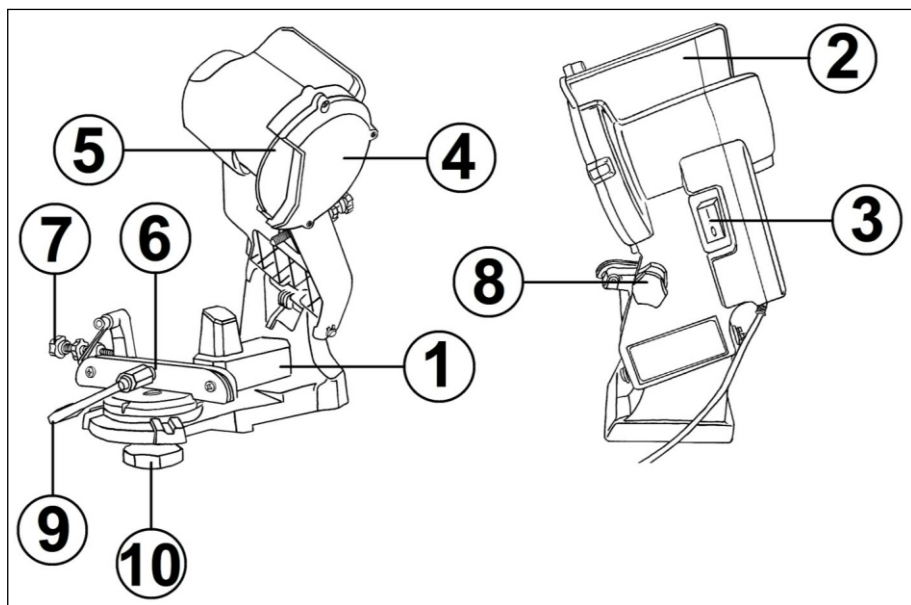


Рис.1 Общий вид устройства

- | | |
|-------------------|-----------------------------|
| 1. Основание | 7. Установочный винт |
| 2. Рукоятка | 8. Ограничитель глубины |
| 3. Выключатель | 9. Ручка затяжки цепи |
| 4. Защитный кожух | 10. Фиксатор рабочего стола |
| 5. Заточный круг | |
| 6. Рабочий стол | |

5. ТЕХНИЧЕСКИЕ ХАРАКТЕРИСТИКИ

Станок для заточки цепей предназначен для заточки зубьев пильной цепи бензиновых и электрических цепных пил.

Станок предназначен для эксплуатации при температуре окружающей среды от -10°C до $+40^{\circ}\text{C}$, относительной влажности воздуха не более 80% и отсутствии прямого воздействия атмосферных осадков и чрезмерной запылённости воздуха.

Таблица 1 Технические характеристики

двигатель	220 В, 50 Гц, 85 Вт
число оборотов двигателя	5500 об / мин
Таблица / тиски Углы	35 градусов справа налево
Диаметр бритвы	23мм
Размер колеса	Диаметр 108 мм X 3.2 мм толщиной
Вес	2,2 кг

6. ПОДГОТОВКА УСТРОЙСТВА К РАБОТЕ И ПОРЯДОК РАБОТЫ

Станок для заточки цепей состоит из привода, представляющего собой двигатель постоянного тока.

7.1 Сборка

Установите станок на твердую и ровную поверхность верстака таким образом, чтобы ограничители на основании уперлись в верстак (рис.2) и обеспечивалась возможность регулировки угла заточки цепи (влево/вправо).

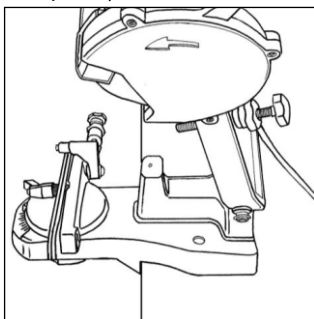


Рис.2 положение основания на верстаке

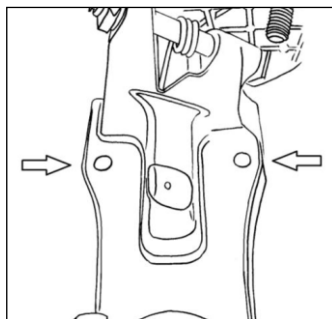


Рис.3 Крепление основания

Закрепите основание на верстаке, используя монтажные отверстия при помощи болтов (в комплект поставки не входят (рис.3)).

С помощью крепежной гайки, закрепите рабочий стол на основании (рис.4).

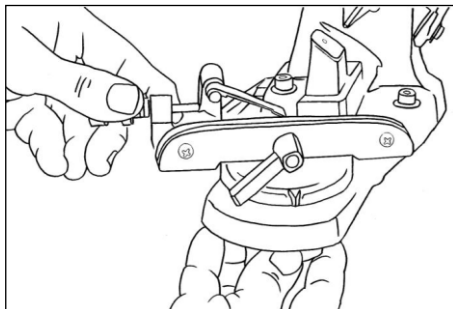


Рис.4 Установка рабочего стола на основание

7.2 Подготовка к заточке цепи

Прежде чем Вы приступите к заточке цепи проверьте ее на видимые повреждения, такие как: согнутые или сильно изношенные звенья цепи, разболтавшиеся заклепки или изношенные головки заклепок.

Если при проверке Вы обнаружили хотя бы одно повреждение, то необходимо устранить повреждения или, если это не возможно, заменить цепь.

⚠ Внимание!

Масляная цепь ведет к загрязнению заточного круга, что влечет за собой перегрев зубьев в процессе заточки. Перед заточкой цепи, очистите ее от масла, чтобы уменьшить износ заточного круга и улучшить качество заточки.

Установите цепь на рабочий стол станка так, чтобы режущая часть цепи была направлена в сторону заточного круга и зафиксируйте ее установочным клином (рис.4).

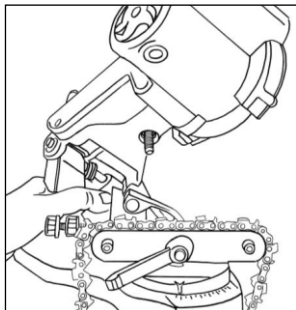


Рис.4 Установка цепи

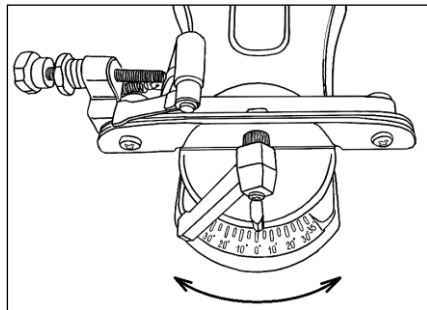


Рис.5 Выбор угла заточки

Выберете необходимый угол заточки от 0° до 30° в зависимости от типа цепи и поверните рабочий стол, ослабив крепежную гайку, на соответствующий угол по шкале (рис.5) и затяните гайку. В большинстве случаев, цепи имеют угол заточки 25° – 30° .

С помощью установочного винта, отрегулируйте положение зуба так, чтобы заточной круг еле касался затачиваемой поверхности (рис.6)

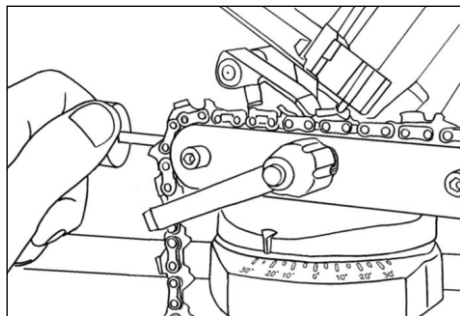


Рис.6 Регулировка зуба

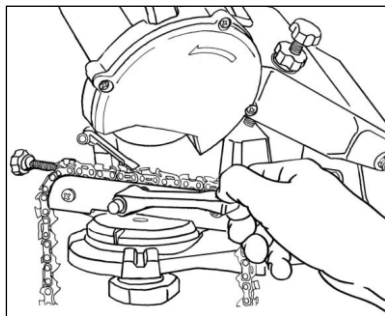


Рис.7 Фиксация цепи

Зафиксируйте цепь ручкой для затяжки цепи, повернув ее вправо (рис.7)

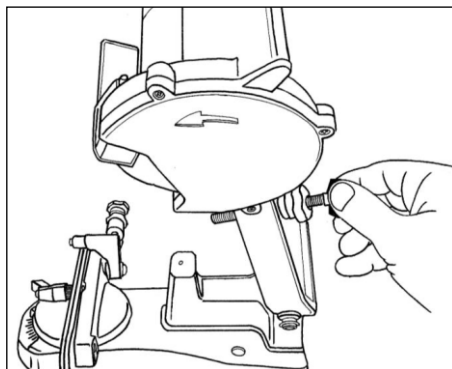


Рис.8 Регулировка глубины заточки

Отрегулируйте глубину заточки зуба (рис.8)

! Внимание!

Глубина заточки должна быть отрегулирована так, чтобы не повредить соединительные звенья цепи и при этом была заточена вся режущая кромка зуба.

Станок для заточки цепей подключается к сети при помощи двухжильного кабеля (рис.8).



Рис.8 Подключение станка к сети

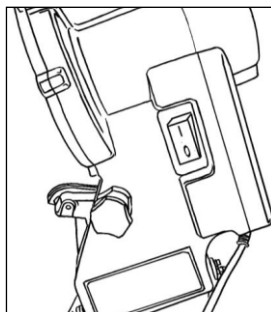


Рис.9 Включение станка

7.3 Работа

Включите станок, нажав на выключатель на рукоятке (рис.9).
Опустите станок к зубу и произведите заточку.

! Внимание!

Перед продвижением цепи и заточкой следующего зуба необходимо отключить станок и дождаться полной остановки заточного круга.

После чего ослабить ручку затяжки цепи и продвинуть цепь (в направлении заточного круга) пока следующий зуб с таким же направлением заточки не пройдет установочный клин. Направление заточки зубьев в цепи одинаково через один зуб. Потяните цепь в обратную сторону чтобы зуб уперся в клин, зафиксируйте цепь и, включив станок, произведите заточку.

Аналогично заточите все зубья с этим направлением заточки, после чего поменяйте угол заточки цепи на противоположный, и произведите заточку зубьев.

! Внимание!

Изменение угла заточки цепи производится только при выключенном станке.

Если цепь подвергается повторной заточке (2–3 раза), возникает необходимость стачивать зуб-ограничитель (рис.10).

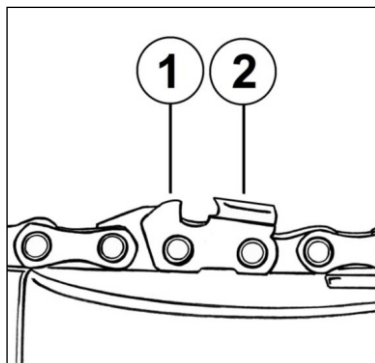


Рис.10 Зубья цепи (1-зуб-ограничитель, 2-режущий зуб)

Для стачивания зуба ограничителя необходимо использовать специальный шаблон (в комплекте не идет) для заточки цепи, а также плоский напильник. Необходимо наложить шаблон на цепь, и, пользуясь плоским напильником, сточить каждый зуб-ограничитель до уровня шаблона. У шаблона есть два положения: Н «hard» (твердый) для твердой породы дерева и S «soft» (мягкий) для мягкой породы дерева.

! Внимание!

Если Вы будете затачивать зуб-ограничитель без шаблона, это может привести к тому, что Вы сточите его слишком сильно. В этом случае цепь будет «съедать» много дерева, это увеличивает риск отдачи, усиливает вибрацию и ухудшает точность пиления.

7. ТЕХНИЧЕСКОЕ ОБСЛУЖИВАНИЕ

Регулярно проверяйте станок для заточки цепей на предмет механических повреждений/поломок, на общее состояние, которое может влиять на его работу.

Перед началом заточки и после заточки, проверяйте чистоту заточного круга и его зернистость. Косвенный признак: края круга поменяли свой цвет.

Для уменьшения зернистости и очистки круга можно использовать алмазный диск для резки бетона. Для правки требуется включить станок и легкими движениями пройтись по заточному кругу алмазным диском. При

чистке от точильного круга полетит абразивная пыль, поверхность круга осветлится.

Если заточной круг очистить не удастся или он износился/повредился, замените его.

! Внимание!

Прежде чем приступить к замене заточного круга, обязательно отсоедините шнур от сети электропитания.

Для замены заточного круга, снимите защитный кожух, открутив 3 винта (рис.11).

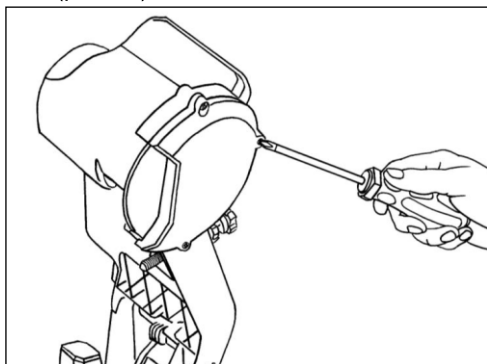


Рис.11 Снятие защиты

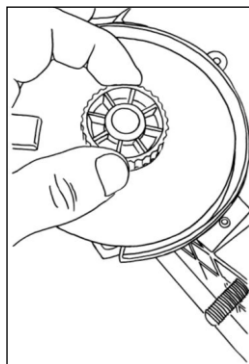


Рис.13 Снятие круга

Открутите гайку-фиксатор с вала круга (рис.13)

Замените заточной круг и соберите станок в обратном порядке.

! Внимание!

Используйте только те заточные круги, чей размер и периферийная скорость соответствует техническим данным станка.

Более сложный технический ремонт станка для заточки цепей должен осуществляться только квалифицированным персоналом уполномоченных сервисных центров.

Обслуживание, выполненное неквалифицированным персоналом, может стать причиной поломки станка и травм, а также потери гарантии.

8. ВОЗМОЖНЫЕ НЕИСПРАВНОСТИ И СПОСОБЫ ИХ УСТРАНЕНИЯ

Неисправности	Возможные причины	Методы устранения
1. Станок не запускается	<ul style="list-style-type: none"> • Отсутствие напряжения • Сломан выключатель 	<ul style="list-style-type: none"> • Проверить напряжение в сети • Обратиться в сервисный центр
2. Двигатель издает нехарактерный шум	<ul style="list-style-type: none"> • Двигатель неисправен 	<ul style="list-style-type: none"> • Обратиться в сервисный центр
3. Медленное вращение круга	<ul style="list-style-type: none"> • Низкое напряжение в сети 	<ul style="list-style-type: none"> • Стабилизируйте напряжение в соответствии с требованиями из таблицы 1.

Таблица 2 Возможные неисправности и способы их устранения

9. ТРАНСПОРТИРОВАНИЕ И ХРАНЕНИЕ

Станок для заточки цепей необходимо защитить от механических повреждений во время транспортировки.

При длительном бездействии станка, хранение необходимо осуществлять в сухом отапливаемом помещении.

Станок, отслуживший свой срок и не подлежащий восстановлению, должен утилизироваться согласно нормам, действующим в стране эксплуатации.

В других обстоятельствах:

- не выбрасывайте станок вместе с бытовым мусором;
- рекомендуется обращаться в специализированные пункты вторичной переработки сырья.

10. ГАРАНТИЙНЫЕ ОБЯЗАТЕЛЬСТВА

Пожалуйста, ознакомьтесь с настоящим гарантийными обязательствами при покупке изделия и проследите за тем, чтобы гарантийный талон был заполнен надлежащим образом торговой организацией.

Производитель гарантирует работоспособность изделия в течении всего гарантийного срока. Гарантия распространяется на недостатки изделия, вызванные дефектом производства или материалов.

Гарантия действует лишь в случаях, когда эксплуатация и техническое обслуживание осуществлялись в соответствии с указаниями паспорта. Претензии по качеству изделия принимаются только при условии, что недостатки обнаружены и претензии заявлены в течение установленного гарантийного срока со дня продажи.

Гарантийный ремонт производится при наличии и полном совпадении серийных номеров на устройстве и в паспорте

Гарантийный ремонт не производится в следующих случаях:

- при отсутствии гарантийного талона;
- гарантийный талон не оформлен соответствующим образом – не принадлежит представленному изделию, в талоне нет даты продажи или подписи продавца или печати торговой организации;
- по истечении срока гарантии;
- при самостоятельном вскрытии (попытке вскрытия) или ремонте изделия вне гарантийной мастерской (нарушены пломбы, сорваны шлицы винтов, корпус редуктора установлен неверно и т.п.);
- если деталь, которая подлежит замене, относится к расходным материалам (щётки, ремни, смазки).

Гарантийные обязательства производителя не распространяются на изделие:

- с повреждениями или неисправностями, возникшими в результате использования с нарушениями требований эксплуатации паспорта изделия, использования не по назначению, а также естественного износа узлов и деталей, вызванного интенсивной эксплуатацией машины;
- при сильном загрязнении инструмента, как внешнем, так и внутреннем, ржавчине (выявляются при диагностике в сервисном центре);
- при перегрузке или заклинивании (одновременный выход из строя ротора и статора или обеих обмоток статора; выявляется при диагностике в сервисном центре);
- при механическом повреждении корпуса, сетевого шнура или вилок;
- с неисправностями, возникшими полностью или частично, прямо или косвенно вследствие установки или замены деталей, либо установки дополнительных деталей или изменения конструкции изделия;

Изготовитель не дает гарантию на оснастку и другие принадлежности (патроны сверлильные, гайки, цанги, пилки, буры, крепления режущего инструмента, аккумуляторные батареи, зарядное устройство, шлифовальные подошвы, ножки и т.д.).

Ответственность по настоящей гарантии ограничивается указанными в настоящем документе обязательствами, если иное не определено законом.

ДОРОГОЙ ПОКУПАТЕЛЬ!

Мы выражаем Вам огромную признательность за Ваш выбор. Мы сделали все возможное, чтобы данное изделие удовлетворяло Вашим запросам, а качество соответствовало лучшим мировым стандартам.

Компания производитель устанавливает официальный срок службы на станок для заточки цепей 5 лет, при условии соблюдения правил эксплуатации.

Гарантийный срок эксплуатации станка для заточки цепей "Huter" - 1 год. Моментом начала эксплуатации считается дата, указанная Организацией-продавцом в гарантийном талоне.

УСЛОВИЯ ГАРАНТИЙНОГО ОБСЛУЖИВАНИЯ

1. Настоящее гарантийное свидетельство является единственным документом, подтверждающим Ваше право на бесплатное гарантийное обслуживание. Без предъявления данного свидетельства претензии не принимаются. В случае утери или порчи гарантийное свидетельство не восстанавливается.
 2. Гарантийный срок на электроинструмент составляет 12 месяцев со дня продажи, в течение гарантийного срока сервисная служба бесплатно устраняет производственные дефекты и производит замену деталей, вышедших из строя по вине изготовителя. На период гарантийного ремонта эквивалентный исправный инструмент не предоставляется. Заменяемые детали переходят в собственность служб сервиса. Компания P.I.T. не несет ответственности за вред, который может быть причинен при работе с электроинструментом.
 3. В гарантийный ремонт инструмент принимается в чистом виде, при обязательном наличии надлежащим образом оформленных документов: настоящего гарантийного свидетельства, гарантийного талона, с полностью заполненными полями, штампом торговой организации и подписью покупателя.
 4. Гарантийный ремонт не производится в следующих случаях:
 - при отсутствии гарантийного свидетельства и гарантийного талона или неправильном их оформлении;
 - при совместном выходе из строя якоря и статора электродвигателя, при обугливаниях или оплавлении первичной обмотки трансформатора сварочного аппарата, зарядного или пуско-зарядного устройства, при оплавлении внутренних деталей, прожиге электронных плат;
 - если гарантийное свидетельство или талон не принадлежат данному электроинструменту или не соответствует установленному поставщиком образцу;
 - по истечении срока гарантии;
 - при попытках самостоятельного вскрытия или ремонта электроинструмента вне гарантийной мастерской; внесения конструктивных изменений и смазки инструмента в гарантийный период, о чем свидетельствуют, например, заломы на шлицевых частях крепежа корпусных деталей.
 - при использовании электроинструмента в производственных или иных целях, связанных с получением прибыли, а также – при возникновении неисправностей связанных с нестабильностью параметров электросети, превышающих нормы, установленные ГОСТ;
 - при неправильной эксплуатации (использование электроинструмента не по назначению, установки на электроинструмент не предназначенных заводом-изготовителем насадок, исполнительных приспособлений и т.п.;
 - при механических повреждениях корпуса, сетевого шнура и при повреждениях, вызванных воздействиями агрессивных средств и высоких и низких температур, попадании инородных предметов в вентиляционные решетки электроинструмента, а также при повреждениях, наступивших в результате неправильного хранения(коррозия металлических частей);
 - при естественном износе деталей электроинструмента, в результате длительной эксплуатации(определяется по признакам полной или частичной выработки ресурса, сильного загрязнения, ржавчины снаружи и внутри электроинструмента, отработанной смазки в редукторе);
 - использование инструмента не по назначению, указанному в инструкции по эксплуатации.
 - при механических повреждениях инструмента;
 - при возникновении повреждений в связи с несоблюдением предусмотренных инструкцией условий эксплуатации(см. главу Указание по технике безопасности в инструкции).
 - повреждение изделия вследствие несоблюдения правил хранения и транспортировки.
- Профилактическое обслуживание электроинструмента (чистка, промывка, смазка, замена пыльников, поршневых и уплотнительных колец) в гарантийный период является платной услугой.
- Срок службы изделия установлен изготовителем и составляет 2 года со дня изготовления.
- О возможных нарушениях, изложенных выше условий гарантийного обслуживания, владельцу сообщается после проведения диагностики в сервисном центре.
- Владелец инструмента доверяет проведение диагностики в сервисном центре в свое отсутствие.
- Запрещается эксплуатация электроинструмента при проявлении признаков повышенного нагрева, искрения, а также шума в редукторной части. Для выяснения причин неисправности покупателю следует обратиться в гарантийную мастерскую.
- Неисправности, вызванные несвоевременной заменой угловых щеток двигателя, устраняются за счет покупателя.
5. Гарантия не распространяется на:
 - сменные принадлежности (аксессуары и оснастка), например: аккумуляторы, диски, ножи, сверла, буры, патроны, цепи, звездочки, канговые зажимы, шины, элементы натяжения и крепления, головки триммеров, подошвы шлифовальных и ленточных машин, фильтры и т.п.
 - быстроизнашивающиеся детали, например: угловые щетки, приводные ремни, сальники, защитные кожухи, направляющие ролики, направляющие, резиновые уплотнения, подшипники, зубчатые ремни и колеса, стволы, ленты тормоза, храповики и тросы стартеров, поршневые кольца и т.п. Замена их в течении гарантийного срока является платной услугой.
 - шнуры питания, в случае повреждения изоляции, шнуры питания подлежат обязательной замене без согласия владельца (услуга платная).
 - корпуса инструмента.

ГАРАНТИЙНОЕ СВИДЕТЕЛЬСТВО НА ИНСТРУМЕНТ P.I.T.

Наименование изделия _____

Артикул изделия Серийный номер

Дата продажи «__» _____

Наименование торговой организации _____

М.П.

Уважаемый покупатель!

Благодарим Вас за покупку инструмента P.I.T. и надеемся, что Вы останетесь довольны своим выбором. В процессе производства инструменты P.I.T. проходят многоуровневый контроль качества, если тем не менее Ваше изделие будет нуждаться в обслуживании, просим Вас обращаться в авторизированные сервисные центры P.I.T.

Внимание!

При покупке требуйте у продавца проверки комплектности и работоспособности инструмента, заполнение гарантийного свидетельства, гарантийного талона(графы заполняются продавцом) и простановки печати торговой организации в гарантийном свидетельстве и гарантийном талоне.

Гарантия

На основании данного гарантийного свидетельства компания P.I.T. гарантирует отсутствие дефектов производственного характера.

Если в течении гарантийного срока в Вашем изделии тем не менее обнаружатся указанные дефекты, специализированные сервисные центры P.I.T. бесплатно отремонтируют изделие и заменят дефектные запасные части.

Гарантийный срок на электроинструменты P.I.T. составляет 12 месяцев со дня продажи.

«С условиями гарантийного обслуживания ознакомлен(а). Работоспособность и комплектность изделия проверены в моем присутствии. Претензий к качеству и внешнему виду не имею».

Подпись покупателя _____ Фамилия(разборчиво) _____

Телефон _____

P. I. T. WARRANTY CARD

Name _____
Serial number _____
The date of sale 20____
The date of receipt of the repair 20____



Name _____
Serial number _____
Date of sale "" _____
(Filled by seller)

Seal is here

WARRANTY REPAIR CARD
date of acceptance for repair ____20_____
Application for repair _____
Customer _____
Telephone (address) _____
The reason for petition _____
Tool checked in my presence _____
(The order is filled in the service center) (signature)

Seal is here

Name _____
Serial number _____
The date of sale 20____
The date of receipt of the repair 20____



Name _____
Serial number _____
Date of sale "" _____
(Filled by seller)

Seal is here

WARRANTY REPAIR CARD
date of acceptance for repair ____20_____
Application for repair _____
Customer _____
Telephone (address) _____
The reason for petition _____
Tool checked in my presence _____
(The order is filled in the service center) (signature)

Seal is here

Name _____
Serial number _____
The date of sale 20____
The date of receipt of the repair 20____



Name _____
Serial number _____
Date of sale "" _____
(Filled by seller)

Seal is here

WARRANTY REPAIR CARD
date of acceptance for repair ____20_____
Application for repair _____
Customer _____
Telephone (address) _____
The reason for petition _____
Tool checked in my presence _____
(The order is filled in the service center) (signature)

Seal is here

ГАРАНТИЙНЫЙ ТАЛОН P.I.T.

Наименование _____
Серийный номер _____
Дата продажи «__» _____ 20 __ г.
(Заполняется продавцом)

М.П.

КАРТА ГАРАНТИЙНОГО РЕМОНТА __
Дата приема в ремонт __ _____ 20 __ г.
Заявка на ремонт _____
Заказчик _____
Телефон(адрес) _____
Причина обращения _____
Дата получения из ремонта __ _____ 20 __ г.
Инструмент проверен в моем присутствии _____
(Заказ заполняется в сервисном центре) (подпись)

М.П.



Наименование _____
Серийный номер _____
Дата продажи «__» _____ 20 __ г.
(Заполняется продавцом)

М.П.

КАРТА ГАРАНТИЙНОГО РЕМОНТА __
Дата приема в ремонт __ _____ 20 __ г.
Заявка на ремонт _____
Заказчик _____
Телефон(адрес) _____
Причина обращения _____
Дата получения из ремонта __ _____ 20 __ г.
Инструмент проверен в моем присутствии _____
(Заказ заполняется в сервисном центре) (подпись)

М.П.



Наименование _____
Серийный номер _____
Дата продажи «__» _____ 20 __ г.
(Заполняется продавцом)

М.П.

КАРТА ГАРАНТИЙНОГО РЕМОНТА __
Дата приема в ремонт __ _____ 20 __ г.
Заявка на ремонт _____
Заказчик _____
Телефон(адрес) _____
Причина обращения _____
Дата получения из ремонта __ _____ 20 __ г.
Инструмент проверен в моем присутствии _____
(Заказ заполняется в сервисном центре) (подпись)

М.П.

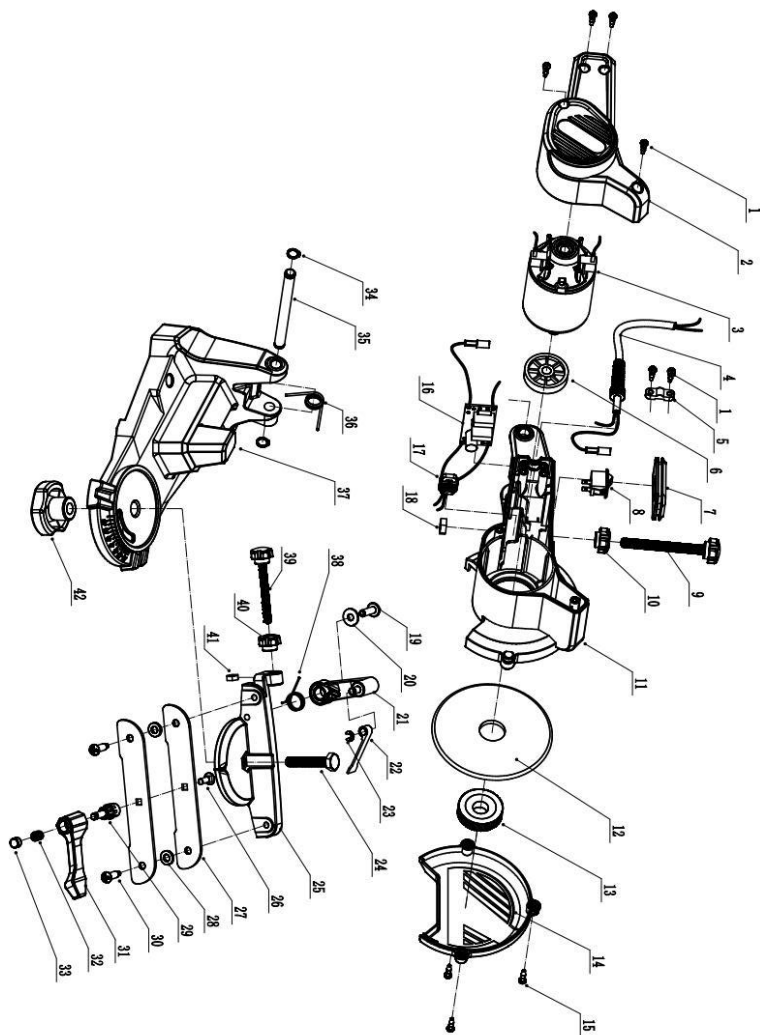
Наименование _____
Серийный номер _____
Дата продажи «__» _____ 20 __ г.
Дата получения из ремонта «__» _____ 20 __ г.

Наименование _____
Серийный номер _____
Дата продажи «__» _____ 20 __ г.
Дата получения из ремонта «__» _____ 20 __ г.

Наименование _____
Серийный номер _____
Дата продажи «__» _____ 20 __ г.
Дата получения из ремонта «__» _____ 20 __ г.

P.I.T. WARRANTY SHEET / ГАРАНТИЙНЫЙ ТАЛОН P.I.T.

PCSS1001-C





Поставщик: Китай Xinjiang Longbo Industrial Co., Ltd.
Адрес производства: Rm. 602, 6th Floor, No. 531, Weixing Road, Economic And Technological Development Zone, Urumqi, Xinjiang, China
Уполномоченный представитель: ООО "Турбо-Тулс"
Юридический адрес: 614012, Пермский КРАЙ, г. Пермь, ул. Норильская, д. 8

Сделано в КНР/Made in China

