

Tower Fan

User's manual

EN



SENCOR®

SFN 5040BL

Prior to using this appliance, please read the user's manual thoroughly, even in cases, when one has already familiarised themselves with previous use of similar types of products. Use the appliance only as described in this manual. Keep this manual for later use.

We recommend saving the original shipping cardboard box, packaging material, receipt and warranty card at least for the duration of warranty. In the case of transportation, pack the appliance using the original packaging materials only.

EN-1

CONTENTS

IMPORTANT SAFETY INSTRUCTIONS	3
FAN DESCRIPTION	5
DESCRIPTION OF THE REMOTE CONTROL	6
DESCRIPTION OF THE CONTROL PANEL AND DISPLAY	7
FAN ASSEMBLY	8
BEFORE FIRST USE	8
FAN OPERATION	9
MAINTENANCE AND CLEANING	10
TECHNICAL SPECIFICATIONS	10
INSTRUCTIONS AND INFORMATION REGARDING THE DISPOSAL OF USED PACKAGING MATERIALS	12
DISPOSAL OF USED BATTERIES	12
DISPOSAL OF USED ELECTRICAL AND ELECTRONIC EQUIPMENT	12

IMPORTANT SAFETY INSTRUCTIONS

- This appliance may be used by children 8 years of age and older and by persons with physical or mental impairments or by inexperienced persons if they are properly supervised or have been informed about how to use of the product in a safe manner and understand the potential dangers. Do not allow children to play with the appliance.
- Cleaning and maintenance performed by the user must not be performed by unsupervised children.

IMPORTANT SAFETY INSTRUCTIONS

READ CAREFULLY AND STORE IT FOR FUTURE USE.

- This appliance must not be used by persons (including children) with physical or mental impairments or by inexperienced persons, unless properly trained or schooled in the safe use of the appliance, or unless they have been properly supervised by a qualified person who will be responsible for their safety.
- Children must be supervised to ensure that they do not play with the appliance.
- Before connecting the appliance to a power socket check that the technical details on the appliance label match the electrical voltage in the socket.
- To prevent the overheating of the appliance, do not cover with any items.
- The appliance is designed for use in households, offices and similar types of areas.
- Do not use the appliance in very dusty or humid rooms such as laundries or bathrooms, in areas where chemicals are stored, in industrial surroundings or outdoors!
- Do not place the appliance in the vicinity of an open flame or appliances that are sources of heat.
- Do not place the appliance on unstable surfaces such as carpets with very long and thick fibres. Always place the appliance on an even, dry surface.
- To prevent potential injury by electric shock, do not submerge any part of this appliance under water or any other liquid.
- Never insert any objects through the front grill for the outflow of air or the back grill for the inflow of air. A electrical short circuit could occur, a fire might start or the appliance may be damaged.
- Always turn off the appliance and disconnect from the power socket, if you will not be using it and before assembly, disassembly or cleaning.
- Do not disconnect the appliance from the power socket by pulling on the power cord. This could damage the power cord or the power socket. Disconnect the cord from the power socket by gently pulling the plug of the power cord.
- Make sure the power cord does not hang over the edge of a table, or that it is not touching a hot surface.
- It is forbidden to use the appliance if it has a damaged power cord or plug. In case the power cord is damaged, have it replaced at a expert service centre.
- Do not use the appliance if it is not working correctly, if it has been damaged or has been submerged in water. To avoid the danger of injury by electrical shock, do not repair the appliance yourself or make any adjustments to it. Have all repairs or adjustments of the appliance done at an authorised service centre. Tampering with the appliance during the warranty period may void the warranty policy.
- Do not expose yourself to a cold air current for a long time. This could have a negative effect on your health.

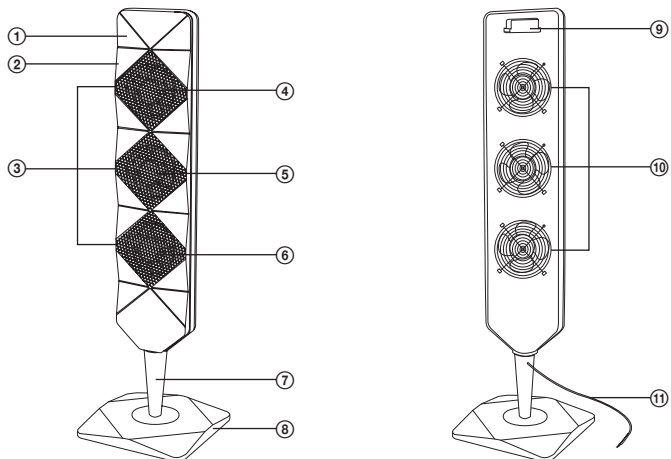
Tower Fan

SFN 5040BL

EN

FAN DESCRIPTION

A



- ① Touch control panel with LED display
- ② Fan body
- ③ Front grill for air outflow
- ④ Fan 1
- ⑤ Fan 2
- ⑥ Fan 3

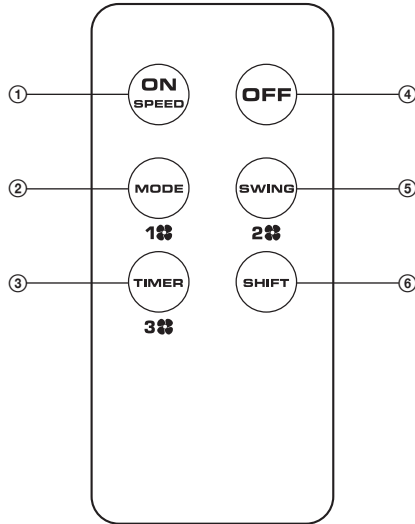
- ⑦ Fan pole
- ⑧ Base
- ⑨ Integrated handle and remote control holder
- ⑩ Rear grill for air inflow
- ⑪ Power cord

Tower Fan

SFN 5040BL

DESCRIPTION OF THE REMOTE CONTROL

B



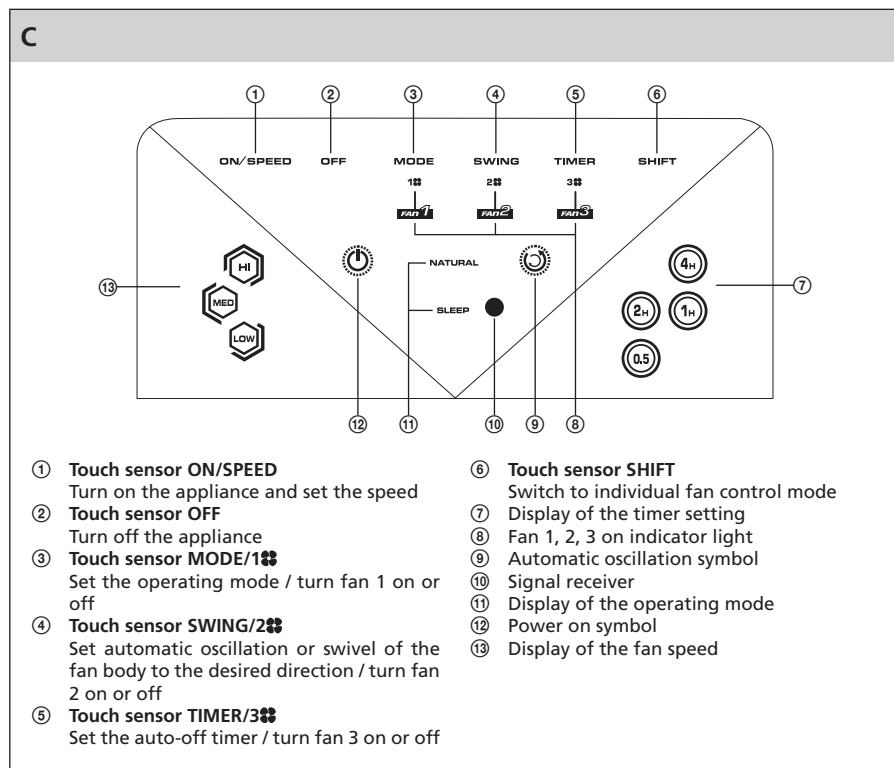
- | | |
|--|--|
| ① ON/SPEED button
Turn on the appliance and set the speed | ④ OFF button
Turn off the appliance |
| ② MODE/1⚡ button
Set the operating mode / turn fan 1 on or off | ⑤ SWING/2⚡ button
Set automatic oscillation or swivel of the fan body to the desired direction / turn fan 2 on or off |
| ③ TIMER/3⚡ button
Set the auto-off timer / turn fan 3 on or off | ⑥ SHIFT button
Switch to individual fan control mode |

Tower Fan

SFN 5040BL

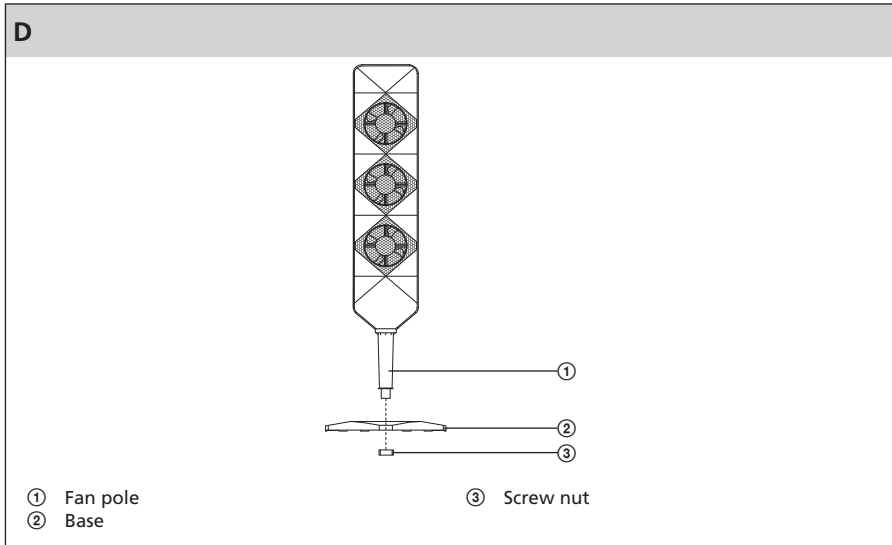
EN

DESCRIPTION OF THE CONTROL PANEL AND DISPLAY



FAN ASSEMBLY

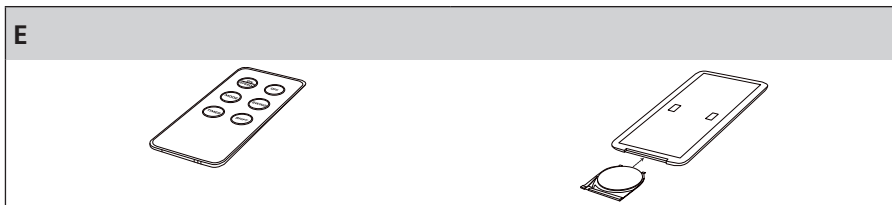
Push the fan pole through the opening in the square base. Attach the nut on to the fan pole and tighten in the clockwise direction. The nut must be firmly tightened to ensure that the fan does not fall over during operation.



BEFORE FIRST USE

- Take the appliance and its accessories out of the packaging materials.
- Assemble the fan according to the instructions included in chapter Fan Assembly.
- Slide out the battery compartment from the remote control. Insert one 3V type CR2032 battery according to the polarity shown on the rear side of the remote control. Slide the battery compartment back into the remote control.


Note: Do not install the battery into the remote control if you will not be using it for an extended period of time.



- Connect the fan to a power socket. The connection a working power socket is confirmed by a sound signal.

FAN OPERATION


1. Turning on and setting the fan speed

- 1.1 To turn on the appliance touch the ON/SPEED sensor. The display will show a symbol  which will be on as long as the fan is in operation.
- 1.2 When first turned on the fan will operate at low speed and the NORMAL mode will be set. All three fans will be in operation. The automatic oscillation will be turned off and the auto-off timer will not be set.
- 1.3 The next time it is turned on the last settings will be renewed. This does not apply to the auto-off timer and the SLEEP mode.
- 1.4 If the ventilator is operation, use the ON/SPEED sensor to control the fan speed at three levels LOW→MID→HI. The corresponding information will be shown on the display.

2. Selecting an operating mode

- 2.1 The MODE sensor is used to select the operating mode from the selection of NORMAL→NATURAL→SLEEP.
- 2.2 If you select the NORMAL mode, neither NATURAL nor SLEEP will be shown on the display. The fan speed is constant. Note: In the NORMAL mode it is possible to change the fan speed setting at any time, see chapter Turning on and setting the fan speed.
- 2.3 If the NATURAL mode is set, the display will show NATURAL. The fan speed is controlled automatically. High, medium and low speed will rotate in short time intervals.
- 2.3 If the SLEEP mode is set, the display will show SLEEP. The fan speed is controlled automatically. In short time intervals high, medium and low speeds will rotate. After 30 minutes of operation the speed will be reduced and the medium, low speeds and off are rotated. After a further 30 minutes the ventilator speed will again be reduced to where the low, lower speed and off are rotated.

3. Setting automatic oscillation

- 3.1 To activate automatic oscillation touch the SWING sensor. If the automatic oscillation function is active, the  symbol will be shown on the display and the fan body will oscillate in the angle of 90°. If you touch the SWING sensor again, the fan oscillation will be turned off.
- 3.2 The SWING sensor is also used to set the desired fan direction without having to manually move the fan. Use the SWING sensor to activate the automatic oscillation function. Wait until the fan turns to the desired direction, and then turn off the oscillation function.
Do not set the direction of air flow by turning the body of the fan by force relative to the base of the device. If the direction of air flow does not suit you, hold the fan by the handle and turn the entire appliance including the base according to your requirements. Make sure not to entangle the power cord.

4. Setting the auto-off timer

The TIMER sensor is used to set the auto-off timer in the range of 0.5 to 7.5 hours. Each time the TIMER sensor is touched the auto-off time is increased by 0.5 hour. The relevant setting will appear on the display. Every 30 minutes the remaining time is updated on the display. After the set time is reached the fan will automatically turn off.

Tower Fan

SFN 5040BL

5. Controlling individual fans

- 5.1 Use the SHIFT sensor to switch the control panel to the mode for turning individual fans on or off. If you touch the SHIFT sensor the items FAN1, FAN2 and FAN3 will start flashing on the screen or only some of them depending on which fan is operating at the time.
- 5.2 Use the MODE/1 sensor to turn fan 1 on and off. The corresponding information will be shown or turned off on the display.
The SWING/2 and TIMER/3 sensors are used to control fans 2 and 3.
- 5.3 Touch the SHIFT sensor and do not make any selection for 5 seconds, the control display will automatically return to the original mode.
- 5.4 If you turn off all three fans, the appliance will be completely turned off.

6. Turning off

The OFF touch sensor is used to turn off the appliance. After it has been turned off the appliance will be in stand-by mode and can be turned on at any time by pressing the ON/SPEED sensor.

7. Using the remote control

The functions of the remote control buttons are the same as those of the touch sensors on the control panel. If you wish to use the remote control, point it at approximately the level of the control panel. The maximum signal range of the remote control is 6 m. Note: If there are obstacles located between the remote control and the control panel, the signal may not be transmitted.

MAINTENANCE AND CLEANING

- Before cleaning, turn of the fan and disconnect the power cord from the power socket.
- Wipe the surface of the fan using a clean and dry wipe. For cleaning do not use cleaning products causing abrasion, petrol and other solvents.
- If you will not be using the fan for an extended period of time, store it in a clean, dry place or disassemble it and put it back into the box.

TECHNICAL SPECIFICATIONS

Nominal voltage	220–240 V ~
Nominal frequency	50 Hz
Rated power	90 W
Safety class (for electric shock protection)	II
Noise level	58.8 dB(A)
Maximum fan flowrat	22.93 m ³ /min
Service value	0.29 (m ³ /min)/W
Maximum air velocity	3.7 m/s
Measurement standard for service value	206/2012 + (EU) 2016/2282 IEC 60879:1986/COR1:1992 EN 50564:2011 EN 60704-1:2010+A11:2012 EN 60704-2-7:2020

Contact details for obtaining more information FAST ČR, a. s., U Sanitasu 1621,
251 01 Říčany, Czech Republic

The declared noise emission level for this appliance is 58.8 dB(A), which represents level A of the acoustic power relative to the reference acoustic power of 1 pW.

Glossary of technical terms

Safety class for electric shock protection:

Class II - Electric shock protection is provided by double or heavy-duty insulation.

We reserve the right to change text and technical specifications.

INSTRUCTIONS AND INFORMATION REGARDING THE DISPOSAL OF USED PACKAGING MATERIALS

Take the packaging material to a designated municipal waste facility.

DISPOSAL OF USED BATTERIES

Batteries contain environmentally damaging compounds and therefore do not belong in standard household waste. Take the batteries to an appropriate collection point, which will provide for their ecological disposal. You can obtain the contact for the nearest collection point from you town council or from your retailer.

DISPOSAL OF USED ELECTRICAL AND ELECTRONIC EQUIPMENT



This symbol on products or original documents means that used electric or electronic products must not be added to ordinary municipal waste. For proper disposal and recycling, take these products to designated collection points. Alternatively, in some European Union states or other European countries you may return your appliances to the local retailer when buying an equivalent new appliance.

Correct disposal of this product helps save valuable natural resources and prevents damage to the environment caused by improper waste disposal. Ask your local authorities or collection facility for more details.

In accordance with national regulations penalties may be imposed for the incorrect disposal of this type of waste.

For business entities in European Union states

If you want to dispose of electric or electronic devices, ask your retailer or supplier for the necessary information.

Disposal in other countries outside the European Union.

This symbol is valid in the European Union. If you wish to discard this product, ask your local authorities or retailer about proper disposal.



This appliance meets all the basic requirements of EU directives that apply to it.