



# A1 Plus

Mini-ITX Tower

User Manual

# Product Story

The A1 PLUS offers upgrades to the beloved A1 chassis.

The A1 PLUS retains its distinguished classy aesthetics with the return of quality materials such as: tempered glass, aluminium and steel. Minimalism never looked so exquisite!

The A1 PLUS features addressable RGB lighting, that offers diversified color schemes by customizing each individual light. The square structure provides hassle-free installation, and the capacity to house powerful hardware despite its compact size.

An InWin 650W, 80 PLUS Gold PSU is prebuilt within the A1 PLUS with cables already managed. The A1 PLUS also comes with two Sirius Loop addressable RGB fans, and an enhanced Qi 1.2 10W charging panel to charge your mobile devices!





# Specifications

## A1 PLUS CASE

<b>Model</b>	A1 PLUS
<b>Part Number</b>	IW-A1PLUS-BLACK IW-A1PLUS-WHITE IW-A1PLUS-PINK
<b>Colors</b>	Black, White, Pink
<b>Case Type</b>	Mini ITX Tower
<b>Case Materials</b>	SECC, Tempered Glass
<b>M/B Compatibility</b>	Mini-ITX
<b>Expansion Slots</b>	PCI-E x 2
<b>Maximum Compatibility</b>	VGA Card Length: 320mm CPU Heatsink Height :160mm
<b>Front Ports</b>	2 x USB 3.0 HD Audio
<b>Internal Drive Bays</b>	2 x 2.5"
<b>Thermal Solution</b>	1 x 120mm Side Fan
<b>Compatibility</b>	1 x 120mm Rear Fan / 120mm Radiator 2 x 120mm Bottom Fans
<b>Power Supply</b>	InWin 650W PSU Included ATX12V V2.4
<b>Compatibility</b>	
<b>Product Dimensions</b> (H x W x D) with screw & handle height	273 x 224 x 357mm
<b>Product Dimensions</b> (H x W x D)	231 x 210 x 343mm
<b>Package Dimensions</b> (H x W x D)	344 x 295 x 414 mm
<b>Net Weight</b>	7.1 kg/ 15.7lbs
<b>Gross Weight</b>	7.9 kg/ 17.5lbs

- InWin products comply with RoHS regulation.
- Specifications may vary based on different regions.

## InWin 650W 80PLUS Gold PSU

<b>Model</b>	IW-GD650PS
<b>Total Power</b>	650W
<b>Material</b>	SECC
<b>Type</b>	ATX12V V2.4
<b>PFC</b>	Active PFC
<b>Efficiency</b>	80 PLUS Gold
<b>MTBF (Hours)</b>	> 100,000
<b>AC Input</b>	100 – 240Vac. 50-60Hz
<b>Fan</b>	120mm
<b>Operating Temperature Range(°C)</b>	0~40°C
<b>Full Protection</b>	OCP/OVP/UVP/SCP/OTP/OPP
<b>Safety Certifications</b>	TUV/cTUVus/BSMI/CB/CE/FCC/EAC/RCM /KCC/CCC
<b>Dimensions(L x W x H)</b>	140 x 150 x 86 mm
<b>Warranty</b>	5 Years
<b>Connectors</b>	Motherboard 24-pin 1
	CPU 4+4-pin 1
	PCIE 6+2 pin 2
	Peripherals 0
	SATA 3
	Floppy Power 0

- InWin products comply with RoHS regulation.
- Specifications may vary based on different regions.

## InWin Sirius Loop Fans

<b>Model</b>	Sirius Loop ASL120
<b>Fan Size</b>	120 x 120 x 25mm
<b>Materials</b>	PBT
<b>Rated Voltage</b>	DC 12V
<b>Rated Power</b>	1.2W
<b>Rated Current</b>	0.1A
<b>ADD RGB Rated Voltage</b>	DC 5V
<b>ADD RGB Rated Power</b>	1.25W
<b>ADD RGB Rated Current</b>	0.25A
<b>Speed Mode</b>	PWM 500-1800 RPM
<b>Air Flow</b>	50 CFM
<b>Air Pressure</b>	1.67mm/ H2O
<b>Connector</b>	4-Pin
<b>Noise Level</b>	27 dB(A) Max.
<b>Bearing Type</b>	Long Lifespan Sleeve Bearing
<b>Life Expectancy</b>	>30,000 hrs

- InWin products comply with RoHS regulation.
- Specifications may vary based on different regions.



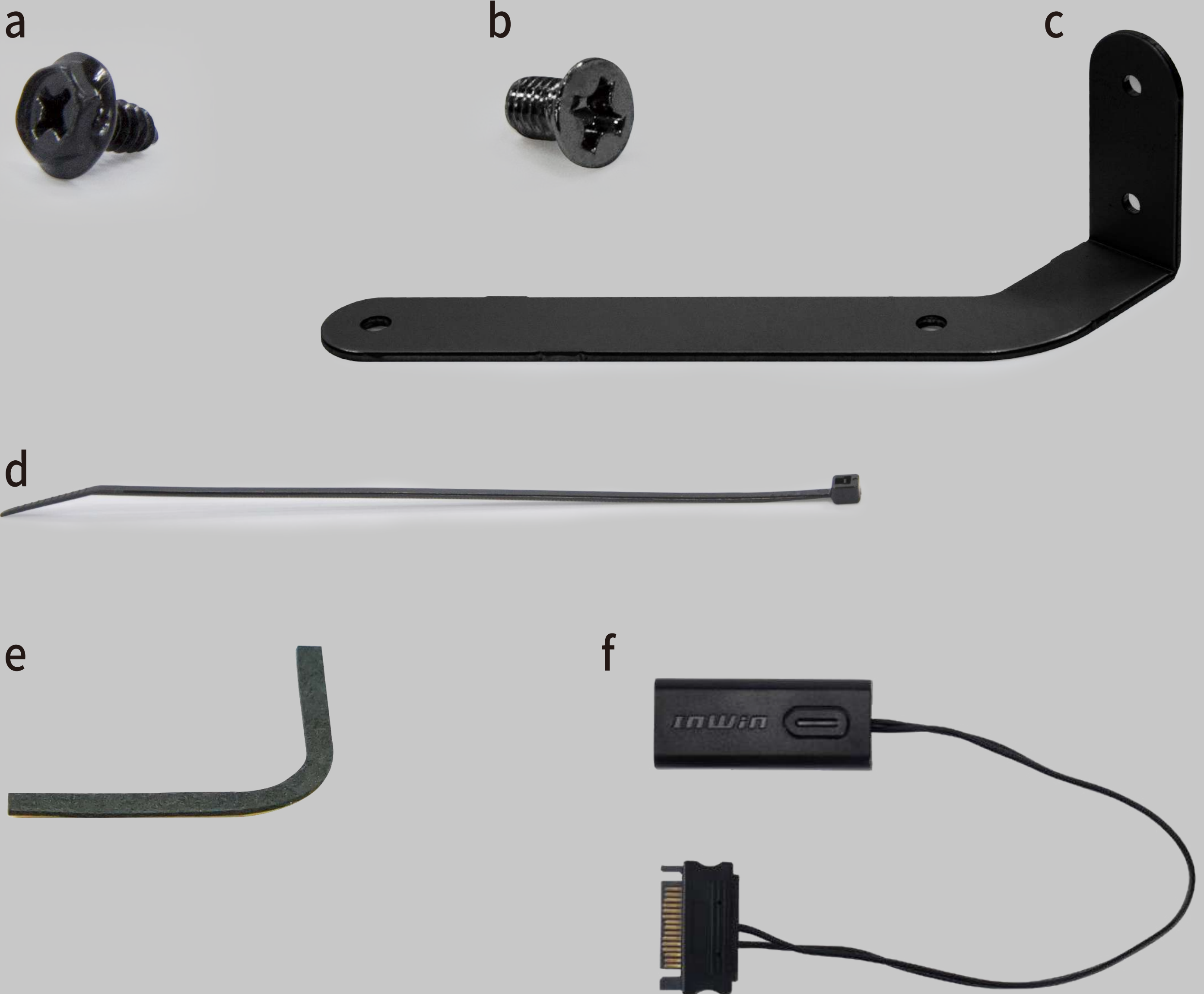
# Package Content

- A1 PLUS Chassis
- InWin 650W 80PLUS Gold PSU
- InWin Sirius Loop fans x 2
- Fan RGB One-Click Controller x 1
- QR Code Card
- Accessory Bag





# Accessories Bag



a. Hexagon Head Screws X 8

b. 2.5" HDD Screws X 10

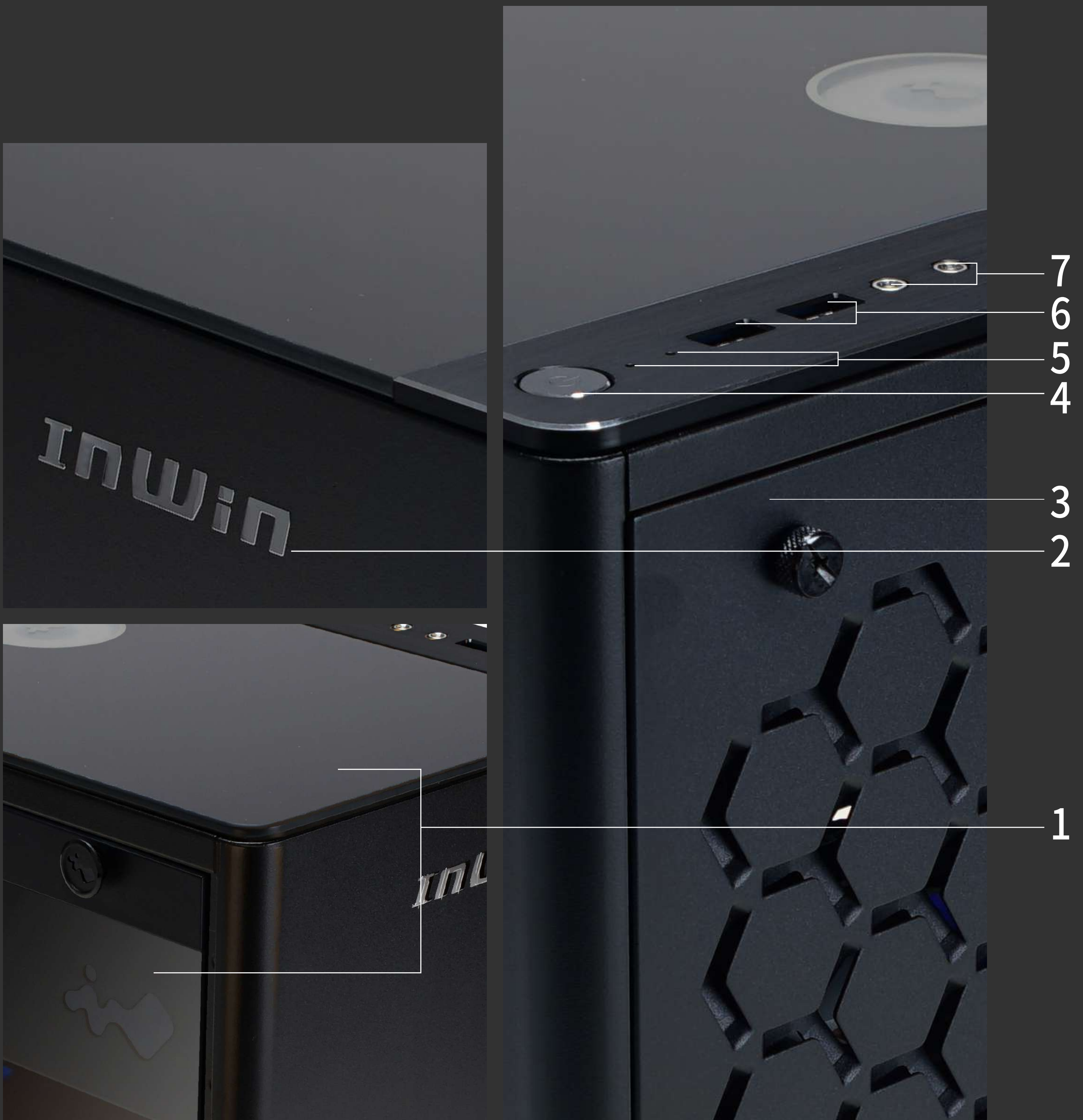
c. Graphic Card Holder X 1

d. Cable Ties X 5

e. Anti-Slip Strips X 4

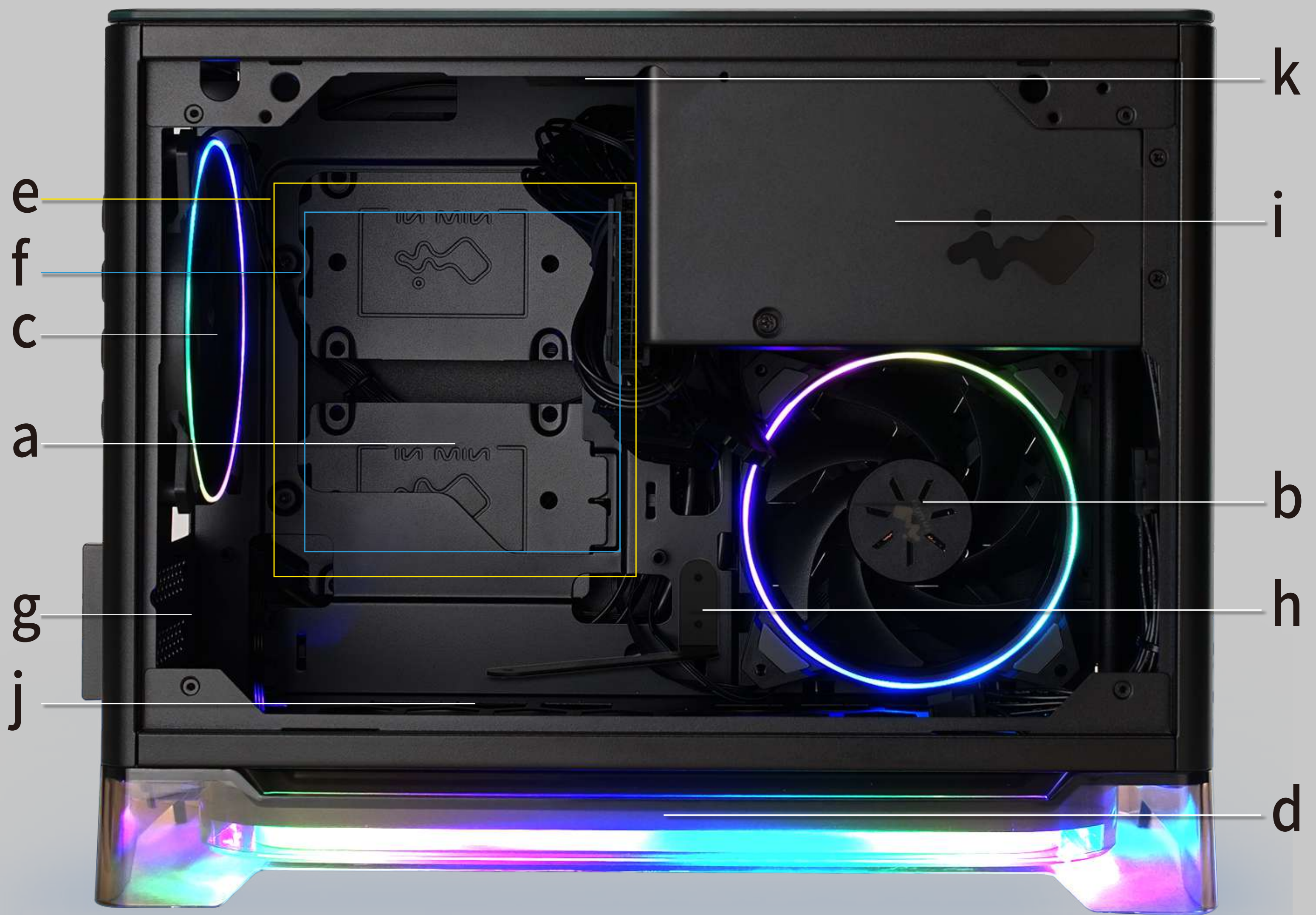
f. ARGB One-Click Controller v1.1 x 1

# Case Structure



- 1.** Tempered Glass
- 2.** Logo
- 3.** SECC Front/ Side Panel
- 4.** Power Button
- 5.** HDD/Power LED indicator
- 6.** USB 3.0 Ports
- 7.** Audio Ports (Earphone and Microphone)





a. 2.5 Drive Bay

b. Side Fan Mounting Area

c. Rear Fan/ Radiator Mounting Area

d. Bottom Fan Mounting Area

e. Motherboard Mounting Area

f. CPU Cooler Installation Cut-Out Hole

g. PCI-E Expansion Slot

h. Extra PCI-E Supporting Mounting Hole

i. Power Supply Area

j. Fan Dust Filter

k. Wireless Mobile Device Charging Area



# Installation Guide

Please follow the related chapters to assemble



## 01

### Opening the Chassis

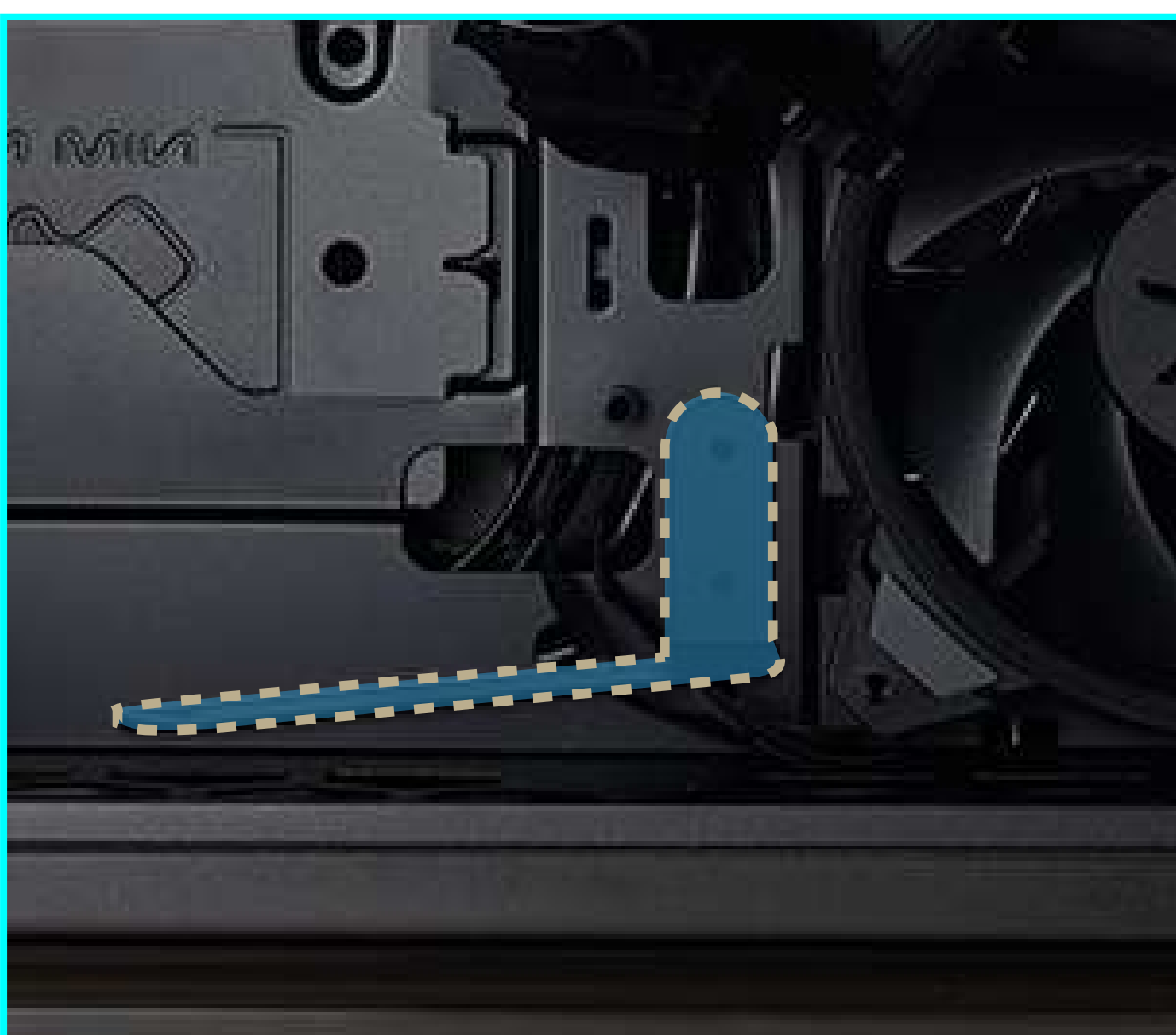
For the side panel, please pull the two tool-less tabs and lift up.



## 02

### Motherboard Installation

Parts Required: Hexagon Head Screws



## 03

### Expansion Card Installation

Parts Required:  
Hexagon Head Screws,  
Graphics Card Holder

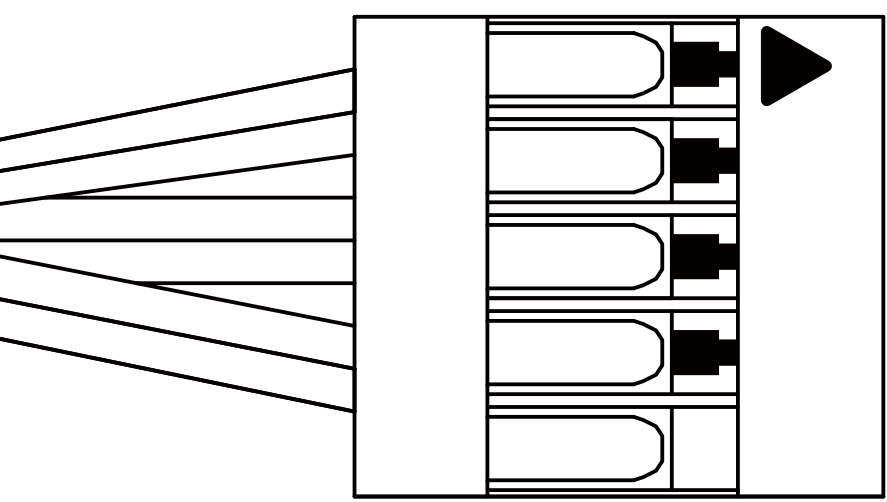




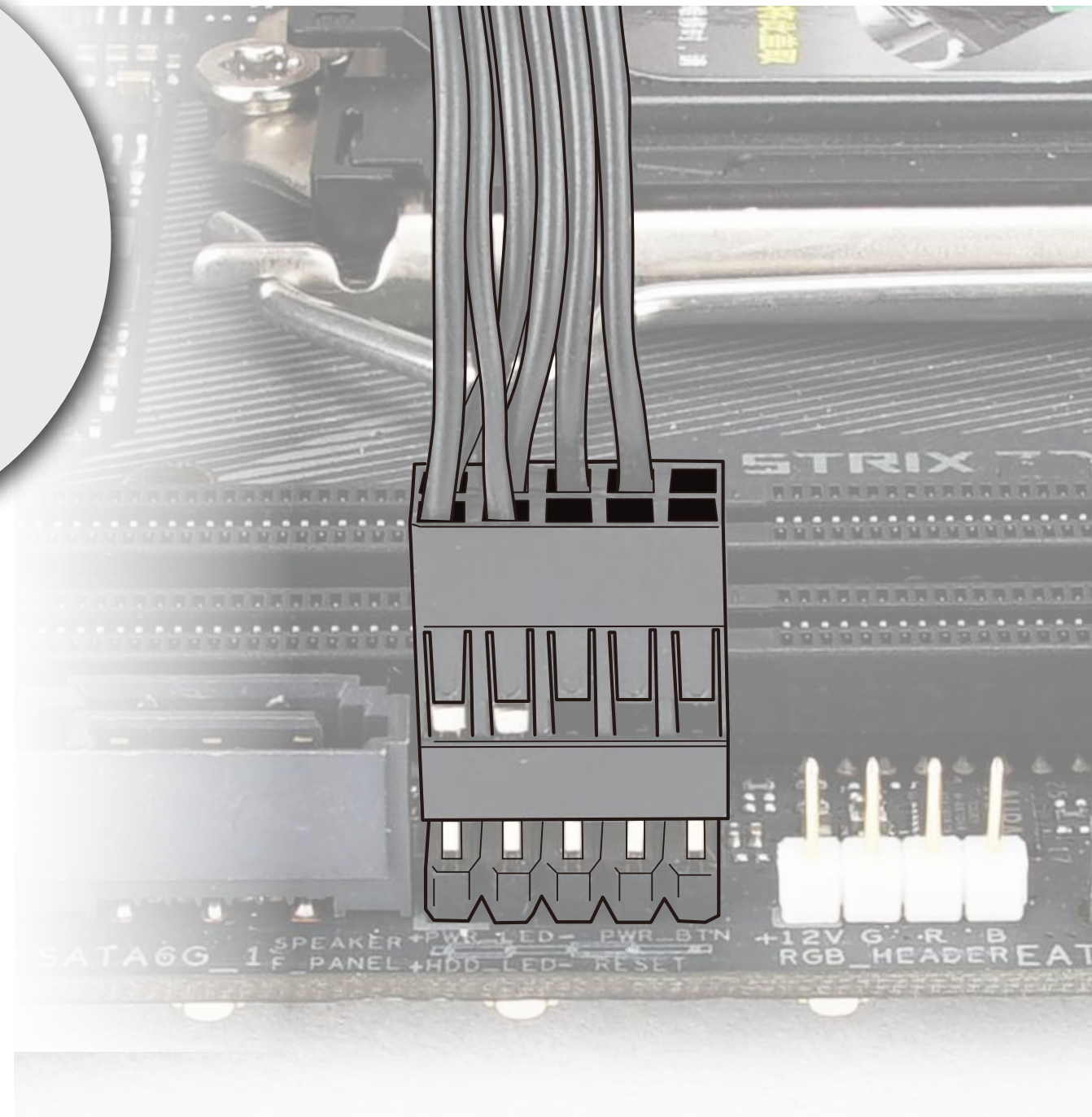
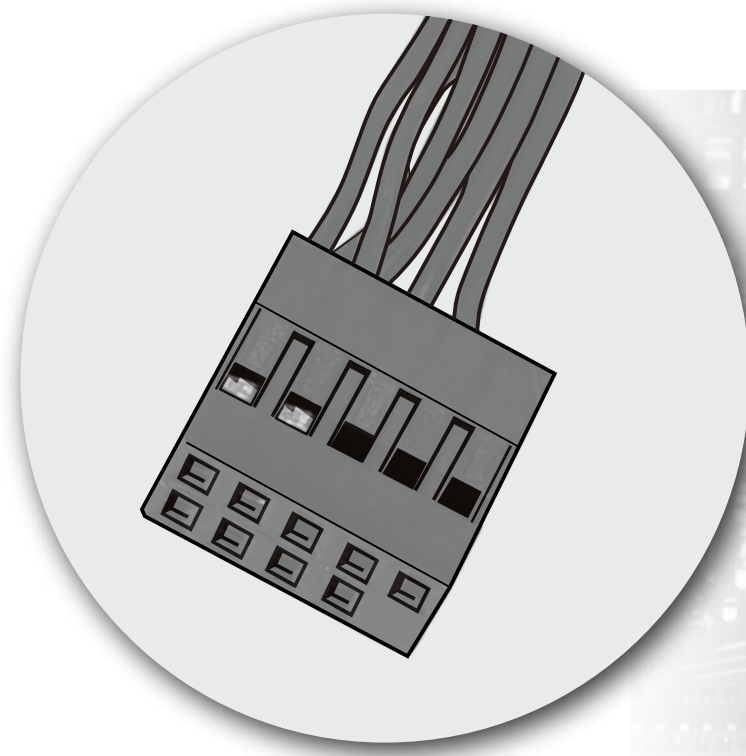
# 04

## I/O Wires Installation

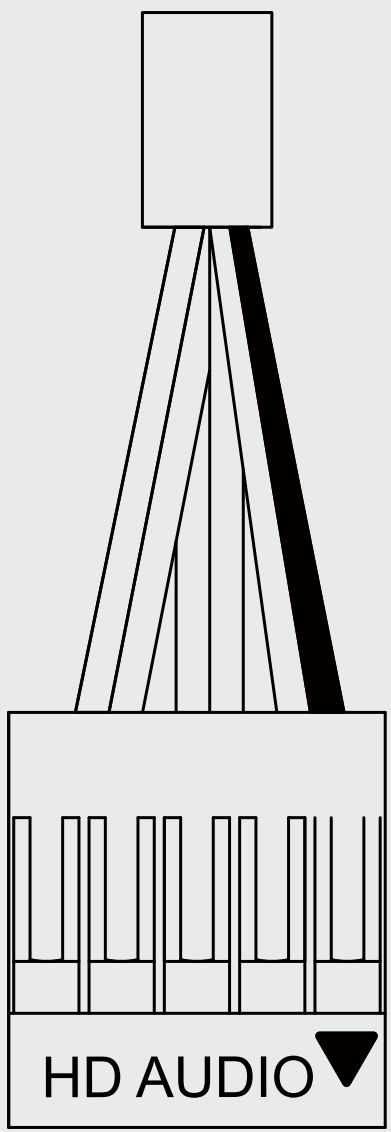
### Switch/LED Connector



Blue(P_LED) 1	2 Red (HDD)
White(P_LED) 3	4 White (HDD)
Brown(P_SW) 5	6 NC
White(P_SW) 7	8 NC
Key 9	10 NC

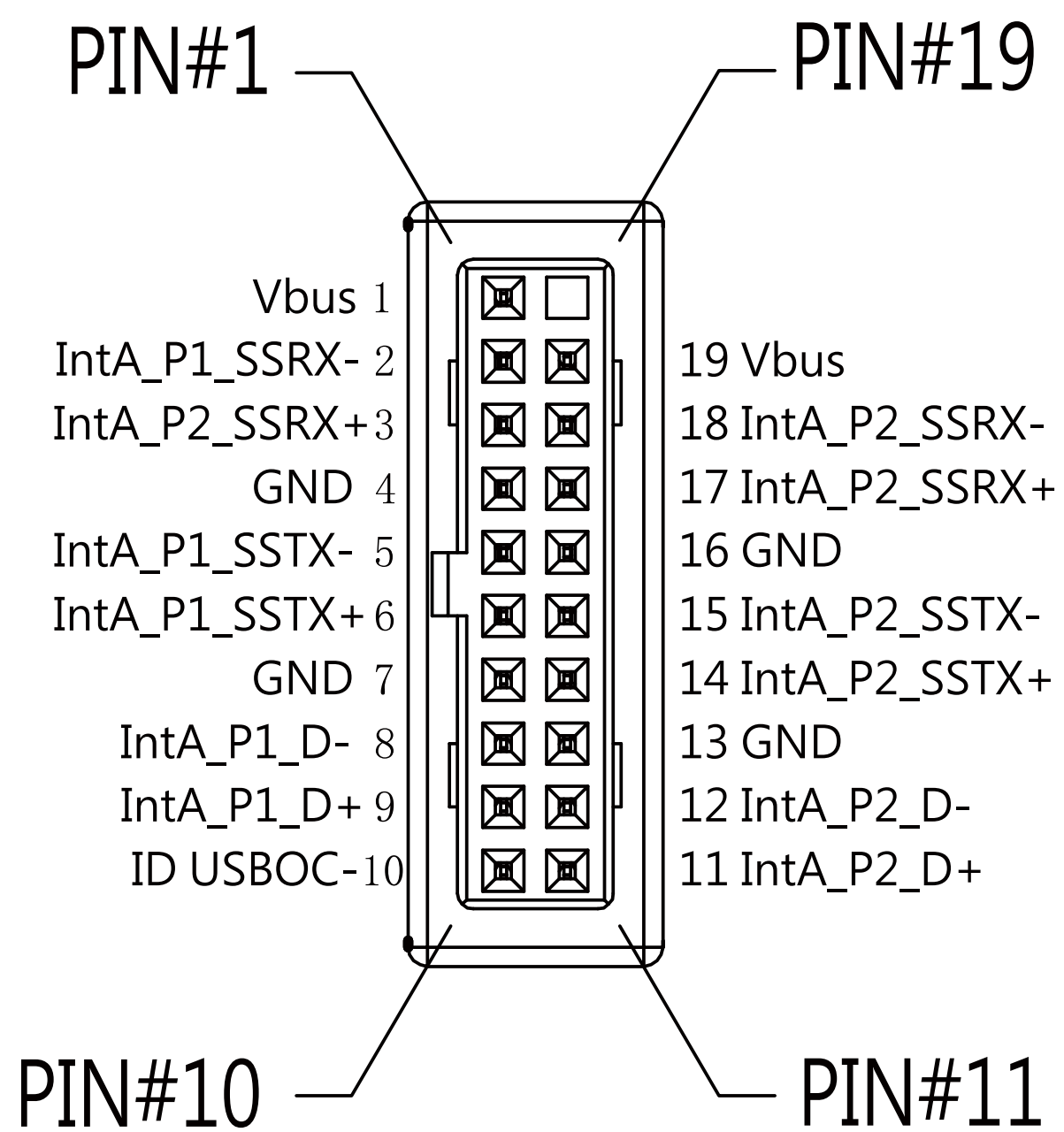
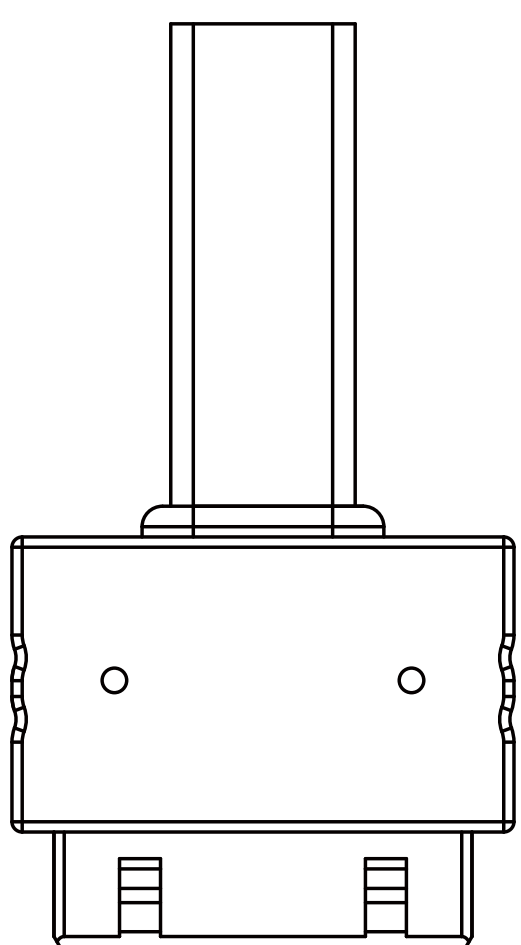


### HD Audio Header



PORT2_L	BLUE	10	9 BROWN	SENSE2_R
SENSE_SEND	PURPLE	8	7	KEY
PORT2_R	YELLOW	6	5 WHITE	SNSE1_R
PORT1_R	RED	4	3 ORANGE	PRESENCE#
PORT1_L	GREEN	2	1 BLACK	GND

### USB3.0 Header





# 05

## 2.5" Drive Bays Installation

Parts Required: 2.5" HDD Screws



# 06

## Fan/ Liquid Cooling Radiator Installation



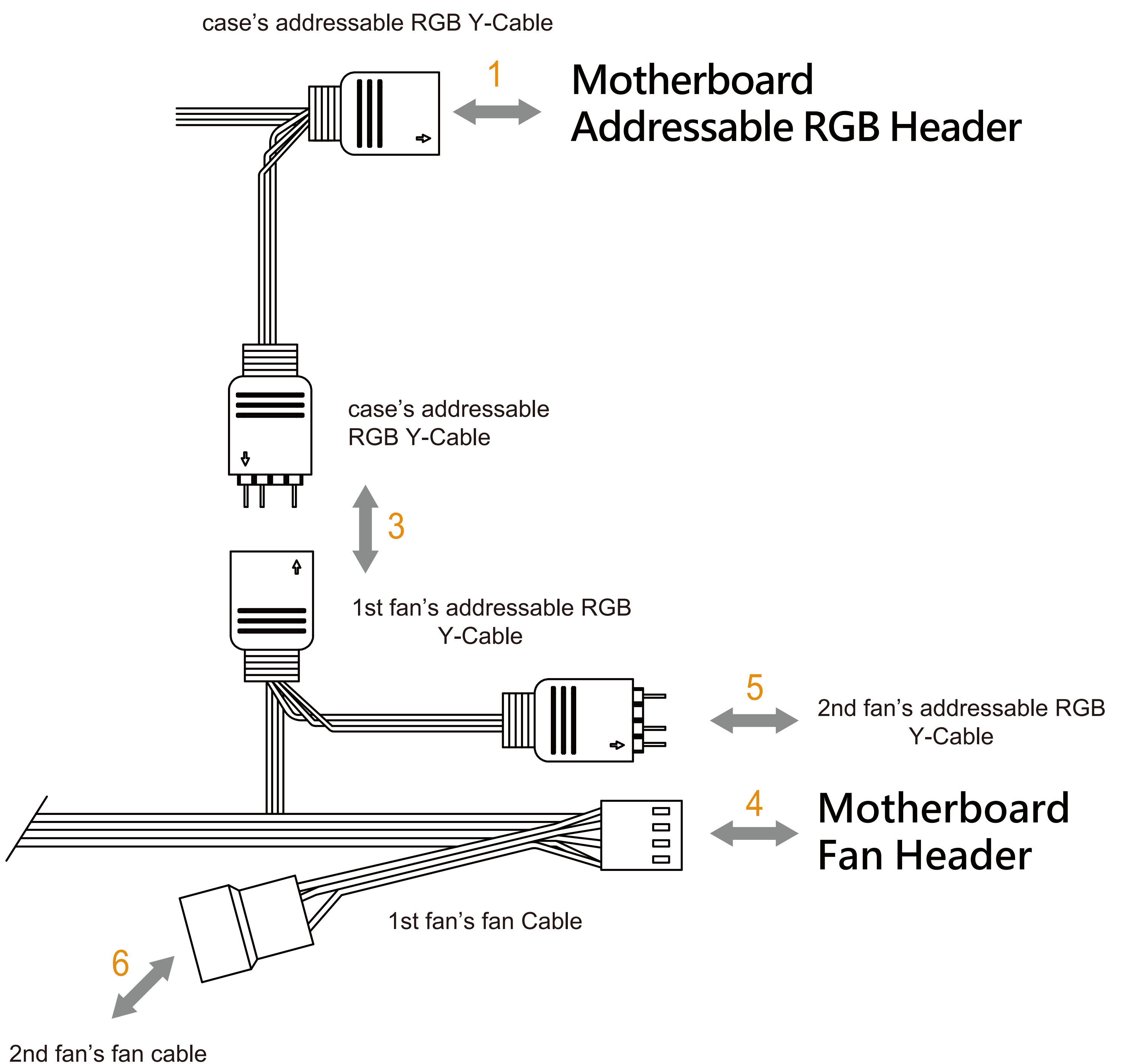


# 07

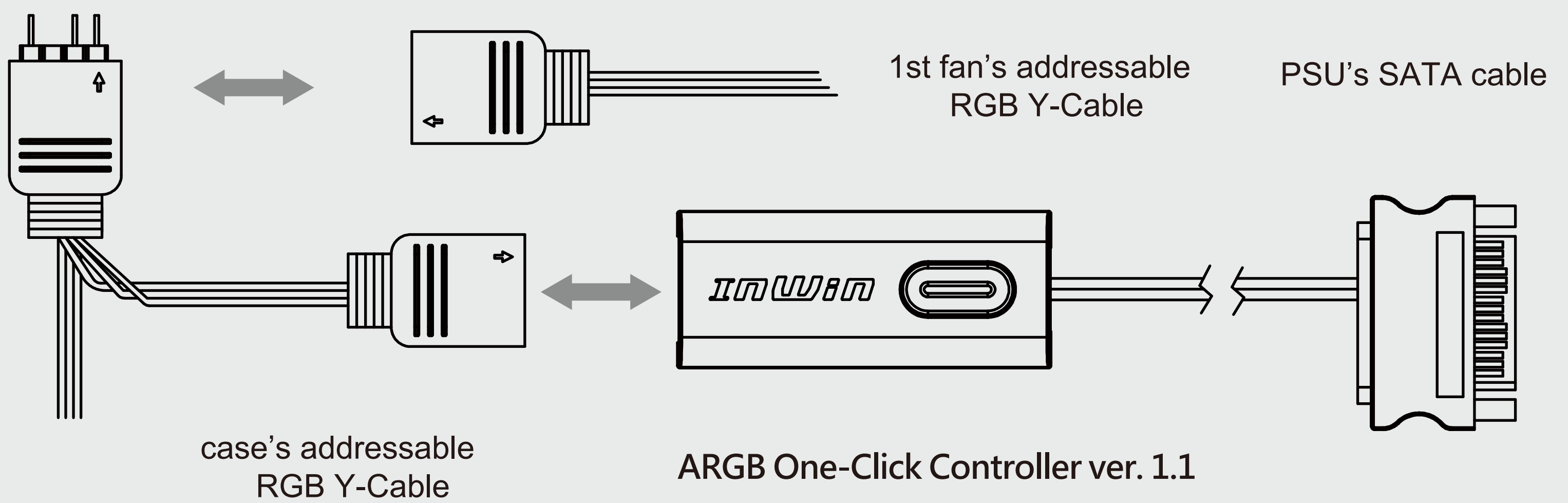
## Addressable RGB-Cable Installation

If your motherboard supports the addressable RGB effect, please follow the direction of sign and connect as followed:

- 1 Connect the case's addressable RGB Y-Cable to a motherboard's addressable RGB header.
- 2 The fan cable, addressable RGB Y-cable and their counterparts are attached to each. Please connect as followed:
- 3 4 Installing the 1st fan: Connect the addressable RGB Y-cable to the available 3-pin addressable RGB header of the case. Connect the fan cable to the motherboard's fan header.
- 5 6 Installing the 2nd fan: Connect the addressable RGB Y-cable and connect it to the available 3-pin addressable RGB header of the previous fan. Connect the fan cable to the available fan header from the previous fan.



If your motherboard does not support an addressable header, please use the included Fan RGB One-Click Controller to connect to your PSU's SATA cable and the case's Addressable RGB Y-Cable in order to use the 14 different lighting effects.



Hold the button to turn on or off the lights. Tap the button to change the lighting modes.

1	Rainbow	8	Two-Tone Ring
2	LED-Red Breathing	9	Diagonal Transition
3	LED-Green	10	Rotating LED Trio
4	LED-Blue	11	Full Circle
5	LED-Purple	12	Flow-Red
6	LED-White	13	Flow-Green
7	Light at the end of the Tunnel	14	Flow-Blue

## 08

### Anti-Slip Strips Installation

Parts Require: Anti-Slip Strips

Remove the strip covers and place them under each corner.





09

## Completing Installation

Parts Required: Cable Ties



**A1**  
Plus  
Mini-ITX Tower

# Notices and Warranty

## ■ Notices

1. Please follow the user manual for installation guidelines.
2. When installing the computer components, please use antistatic precautions to prevent ESD (electrostatic discharge) damage. Failure to take the necessary precautions may result in injury to the installer and/or damage to the machine. Incorrect installation may burnout the motherboard and other system components.
3. To avoid any damages, please do not use this product for any other purpose than its intended use.
4. Any modifications may damage the product.
5. Please remove all internal devices before shipping or moving.  
(Including power supply, hard drives, CD-ROM, motherboard, CPU, etc.)
6. When storing the case, please keep this product away from high temperatures. Keep away from machines such as heaters that might cause high temperatures.
7. Please do not put anything in the impeller.
8. Please do not touch the fan blades when the fan is in operation. Please only use your fan in the computer case.
9. Please avoid unnecessary insertions and extractions to the addressable cable as it may damage the pins.

## ■ Warranty

- \* For more detailed warranty information, please visit the InWin retail website at [www.in-win.com](http://www.in-win.com).
- \* The actual product is subject to change without prior notice. InWin Development Inc. reserves the right to make final modifications.



# IW-WT02

InWin IW-WT02 Wireless Charger User Manual



# Specifications

---

## Input

5V/2A or 12V/1.8A

---

## Output

Support Qi 5V/1A (OUTPUT:5V/2A),  
7.5W / 10W Fast Charging (OUTPUT :12V/1.8A)

---

## Power Transfer Efficiency

78%

---

## Product Dimensions (HxWxD)

72 x 49 x 8mm

---

## Warranty

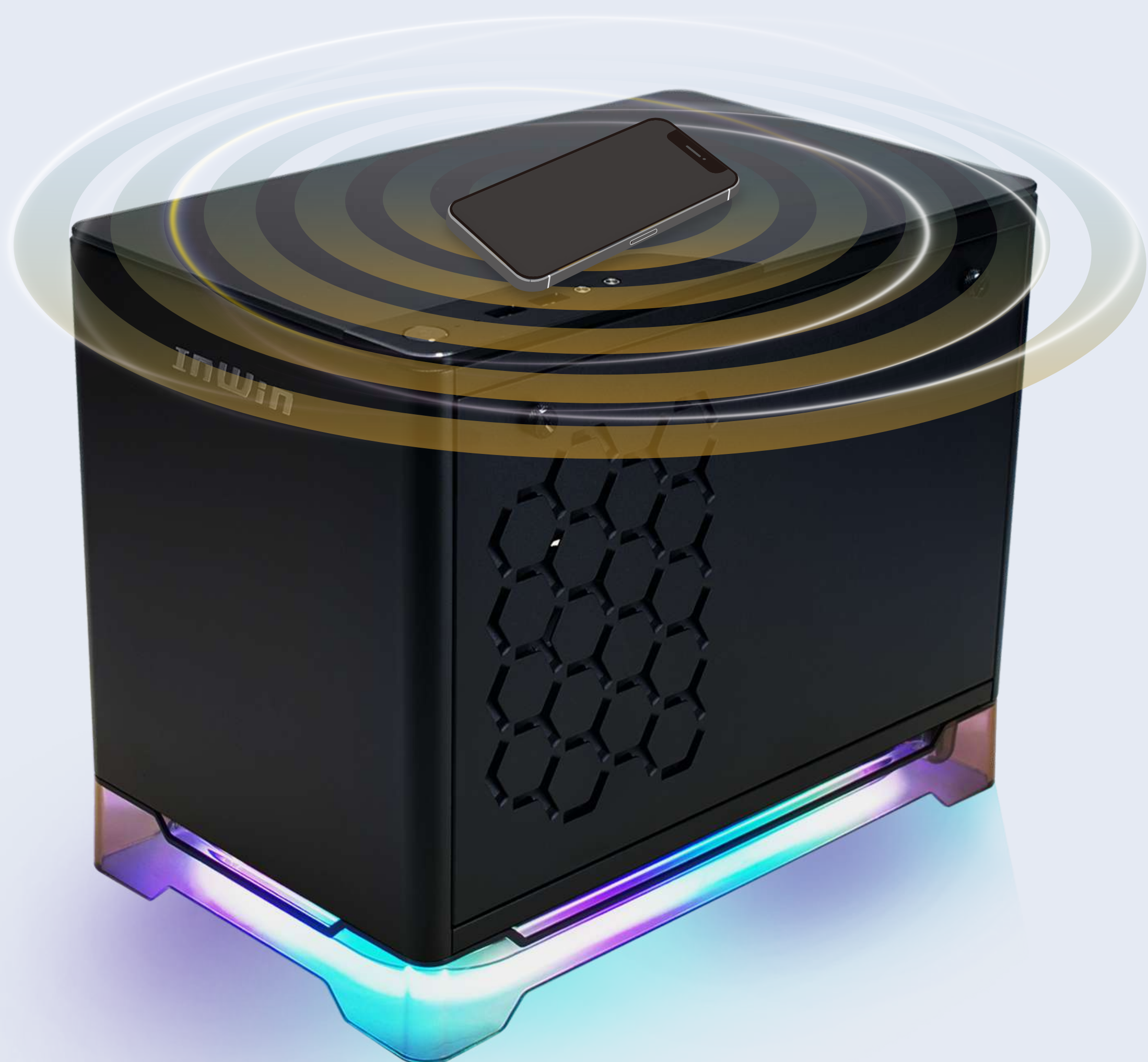
1-year limited warranty

(Effective date based on the purchasing date from consumers)

---

# User Guide

1. Please make sure the power is connected.
2. Place the mobile device on the charging platform on the top panel. Charging will begin after a “beeping” sound.





## ■ Note to use

1. To avoid any computer and computer-related component damage, please use IW-WT02 on InWin approved products.
2. To indicate that the mobile device battery is at a full charge, the platform will continuously beep. To cease the beeping sounds, simply remove the device.
3. Please check if the receiver is compatible with WPC Qi.  
The full compatibility list can be found in the IW-WT02 user manual.

## Wireless charger compatibility list

- Apple iPhone 8, 8+, XR, XS, XS Max
- Samsung Note5, S6, S6 edge+, S7, S7 edge, S8, S8+, Note 8, S9, S9+, Note 9
- Nokia 8 Sirocco
- LG V30S, V30+, G7+ ThinQ
- Huawei Mate 20, Mate 20 Pro
- Sony XZ2, Xperia XZ2 Premium, XZ3
- Sharp AQUOS S3
- Google Pixel 3, Pixel 3 XL
- 小米 MIX 2S, MIX 3





CONTEMPORARY & INNOVATIVE  
www.in-win.com