



SPARE PARTS EXPLODED VIEW
STORAGE ELECTRIC WATER HEATERS

Model

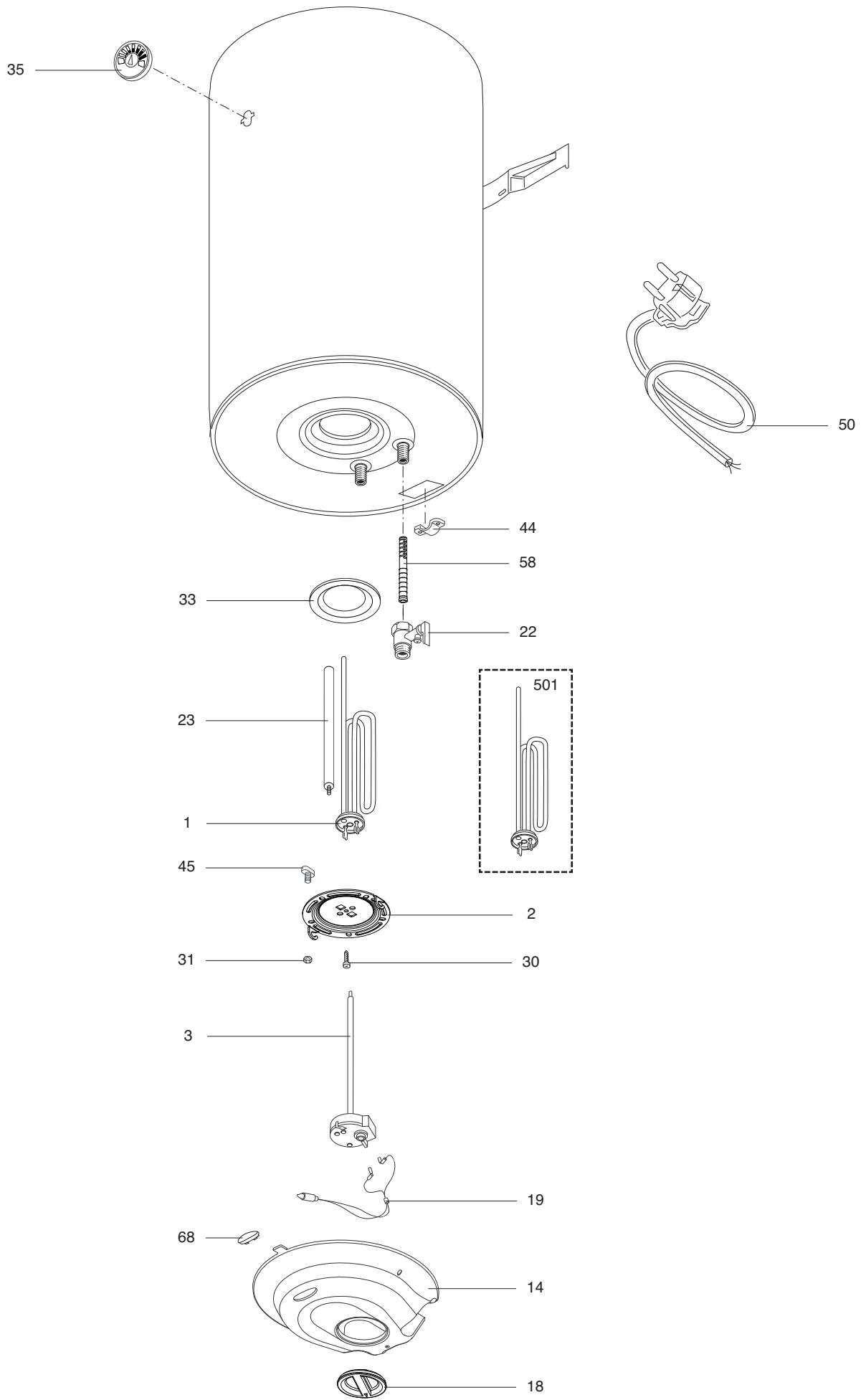
NTS 1,5K (JU)

R8216937-03 - 03/08/2016

NTS 1,5K (JU)

Storage Electric Water Heaters

1	3700465	NTS 30V (JU) SLIM	06-2016	-
2	3700376	NTS 50V 1,5K (JU)	03-2013	-
3	3700377	NTS 80V 1,5K (JU)	03-2013	-
4	3700378	NTS 100V 1,5K (JU)	03-2013	-
Col	Reference	Model type	Begin	End



☉⇒	Description	Manf. Pt. N	Type	NTS 30V (JU) SLIM NTS 50V 1,5K (JU) NTS 80V 1,5K (JU) NTS 100V 1,5K (JU)																		From	to
				1	2	3	4	5	6	7	8	9	10	11	12	13	14	15	16	17	18		
0001	НАГРЕВАТЕЛЬНЫЙ ЭЛЕМЕНТ 1500W 220-240V	65111790		●	●	●	●																
0002	ФЛАНЕЦ НА 5 БОЛТАХ	65111789		●	●	●	●																
0003	ТЕРМОСТАТ	65107054		●																			
	ТЕРМОСТАТ	691217			●	●	●																
0014	КРЫШКА ПЛАСТИКОВАЯ	65180092		●	●	●	●																
0018	РУЧКА РЕГУЛИРОВКИ	65180093			●	●	●																
	РУЧКА РЕГУЛИРОВКИ	65180095		●																			
0019	ИНДИКАТОРНАЯ ЛАМПА	993025		●	●	●	●																
0022	ПРЕДОХРАНИТЕЛЬНЫЙ КЛАПАН (1/2" 8,5 БАР)	571730		●	●	●	●																
0023	МАГНИЕВЫЙ АНОД D:21,3 L:180 M5	65180015		●																			
	МАГНИЕВЫЙ АНОД D:25,5 L:230 M5-M8	993014-01			●	●	●																
0030	ВИНТ М6Х12	993000			●	●	●	●															
0031	ГАЙКА М6	994140			●	●	●	●															
0033	ПРОКЛАДКА ФЛАНЦА	65111788		●	●	●	●																
0035	ТЕРМОМЕТР	573427			●	●	●	●															
0044	ЗАЖИМ ДЛЯ КАБЕЛЯ	573266		●	●	●	●																
0045	ВИНТ М6Х20	65151225		●	●	●	●																
0050	КАБЕЛЬ ПИТАНИЯ	993199		●	●	●	●																
0058	РАССЕКATEЛЬ ВОДЫ (1/2" Н=72)	65113698			●	●	●																
	РАССЕКATEЛЬ ВОДЫ (1/2" Н=82)	65113700		●																			
0068	КРЫШКА ИНДИКАТОРНОЙ ЛАМПЫ	571767		●	●	●	●																
0500	АКСЕССУАРЫ																						
0501	НАГРЕВАТЕЛЬНЫЙ ЭЛЕМЕНТ 1500W 220-240V	65114097			●	●	●																

LIST OF THE ABBREVIATIONS

HW	: Hot water.
CW	: Cold water.
C	: Ceramic resistance (normal heating).
Ca	: Ceramic resistance (accelerated heating)
TP	: Immersion heater.
1F	: With fittings.
2F	: Without fittings.
3F	: With fittings and another outlet connection.
AMI	: With mixing valve.
SMI	: Without mixing valve.
PUISS	: Power of th appliance.
PN	: Appliance with normal pression.
LP	: Appliance with low pression.
PV	: Appliance with variable power.
PF	: Appliance with fixed power.

IDENTIFICATION PLATE

SERIAL NUMBER

6 Characters :
 Year of manufacture 03 09 08 Manufacturing day
 Month of manufacture

9 Characters :
 Year of manufacture M 12 10 0606 Sequential number
 Month of manufacture

14 Characters :
 SI-V-0B0 45 07 0001
 Sequential number
 Year of manufacture : 6 → 2004
 Month of manufacture : → 25 → January 43 → July 7 → 2005
 13 → February 29 → August 8 → 2006
 32 → March 40 → September etc ...
 35 → April 38 → October
 39 → May 51 → November
 45 → June 12 → December

15 Characters :
 Year of manufacture 02 11 00001 007843 Code appareil
 Month of manufacture Sequential number

21 Characters :
 3200050 XX 08115 0000001
 Product reference Sequential number
 Year (08) / Manufacturing day (115)

22 Characters :
 3200050 XX 070115 0000001
 Product reference Sequential number
 Year (07) / Month (01) / Manufacturing day (15)

The indications mentioned on the prices, commercial or technical literature and the scheme are written for your guidance and are available at a given time. The CONSTRUCTOR retains the power to modify the presentation, the form, the size, the conception or the material of the products.