

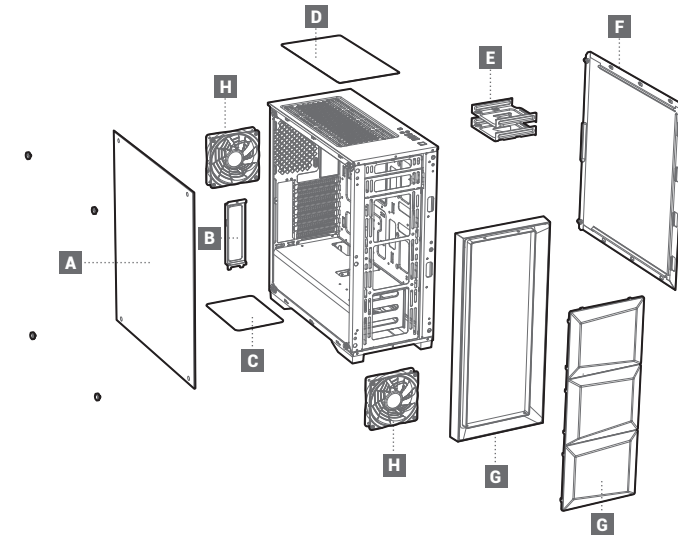
# MATREXX 50 MESH 4FS

Mid-Tower Case



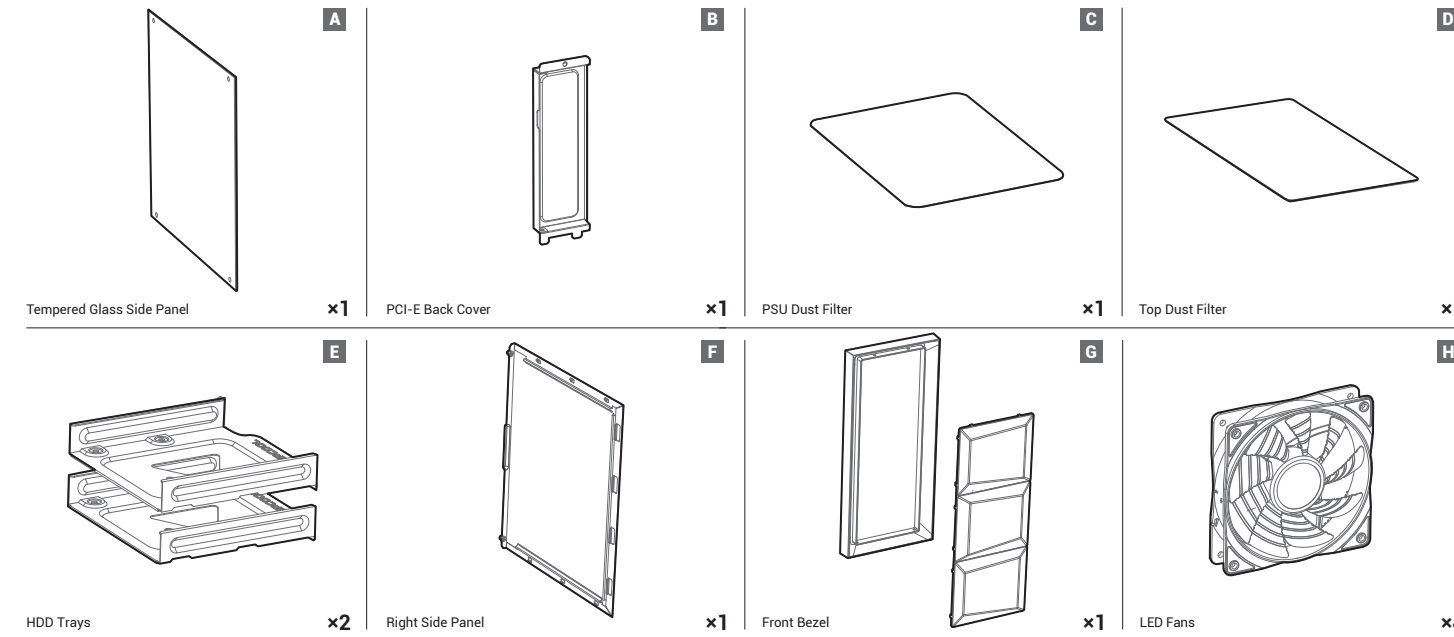
www.deepcool.com

## Case Features

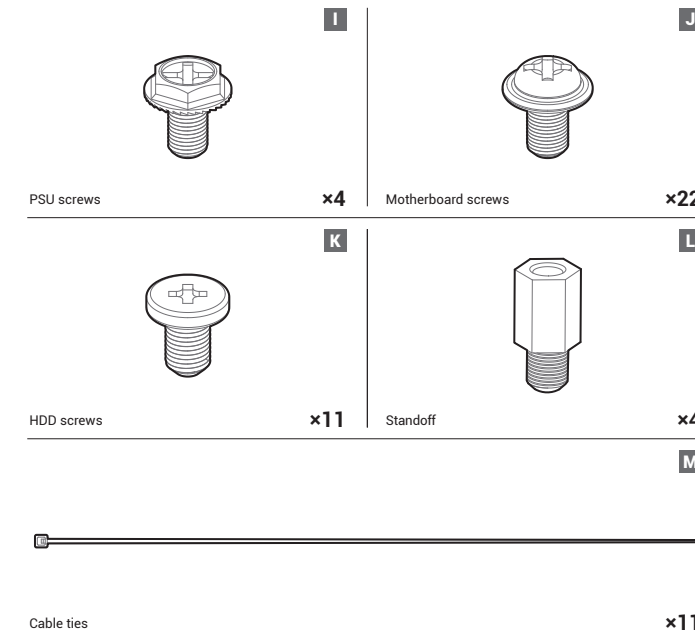


### Case Specifications

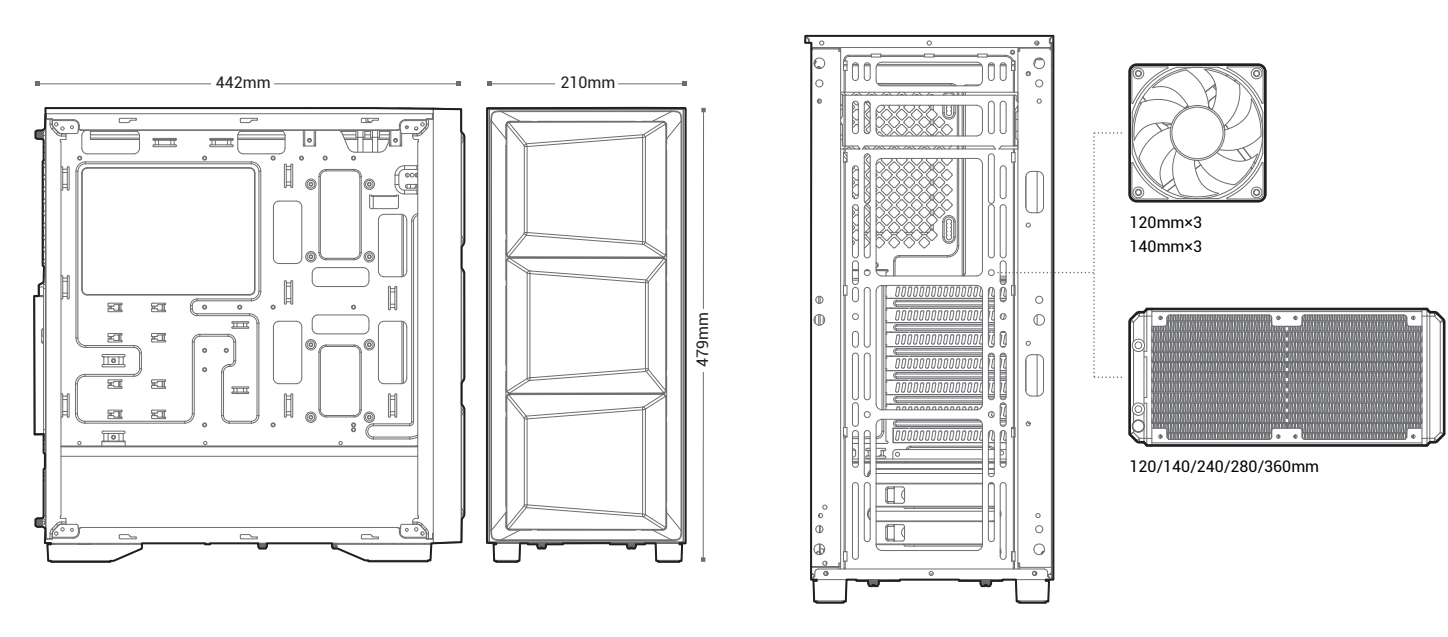
Length: 442mm    Maximum GPU length: 370mm    Radiator compatibility: Front: 120/140/240/280/360mm    Fan locations: Front: 3x120/3x140mm  
 Width: 210mm    Maximum PSU length: 170mm    Top: 120/140/240mm    Rear: 1x120mm  
 Height: 479mm    Maximum CPU cooler height: 160mm



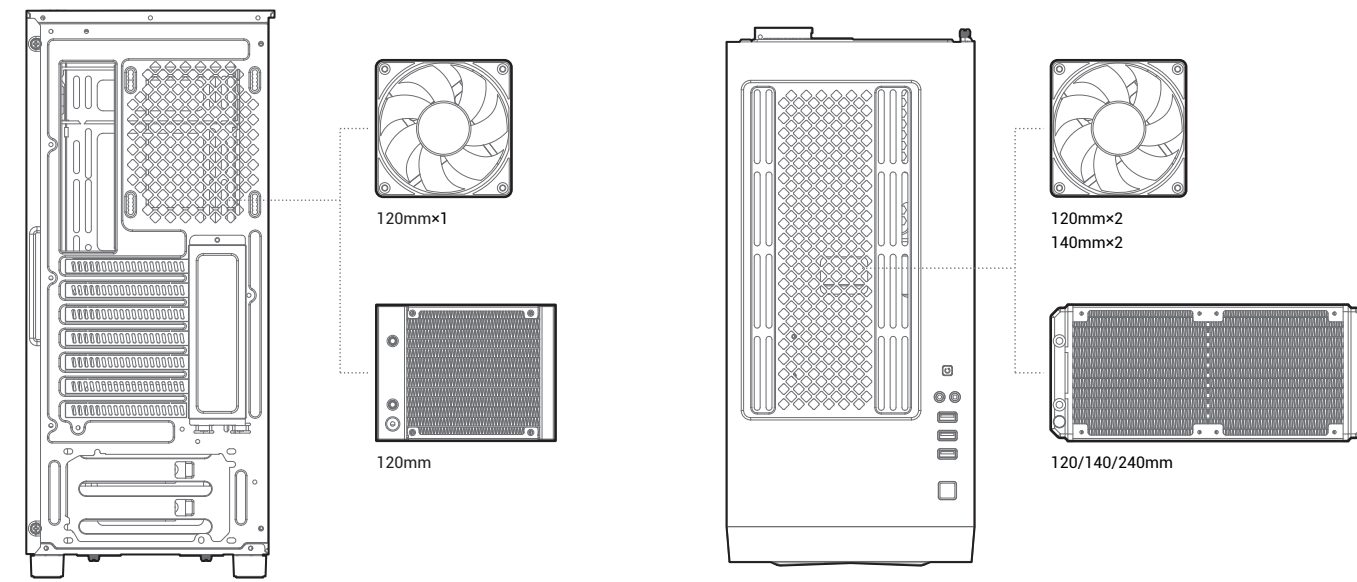
## Accessory Kit Contents



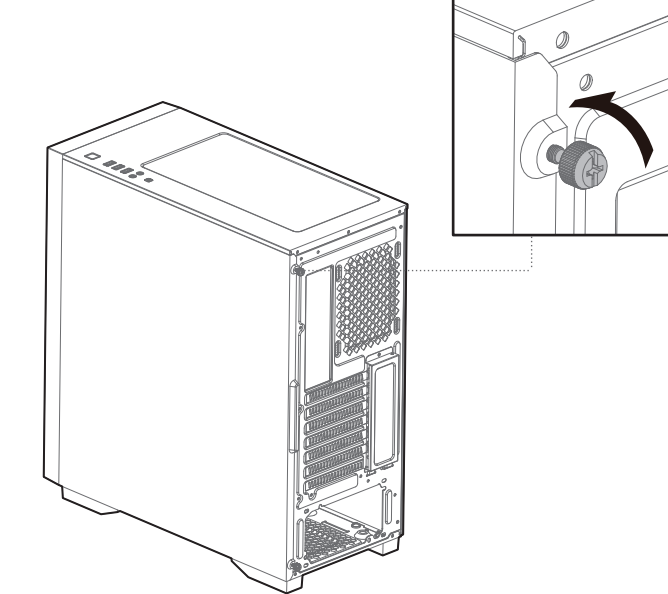
## Specifications



## Removing the Tempered Glass Side Panel



## Removing the Metal Side Panel



## Removing the Front Panel

