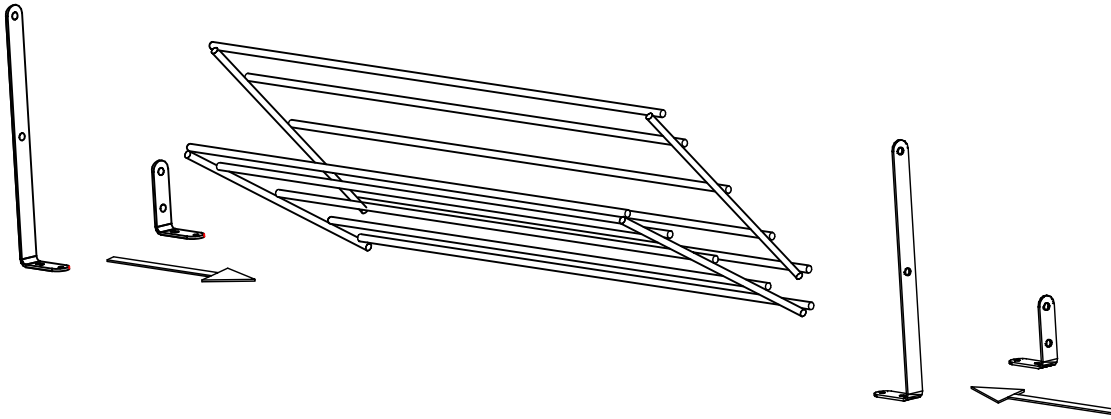
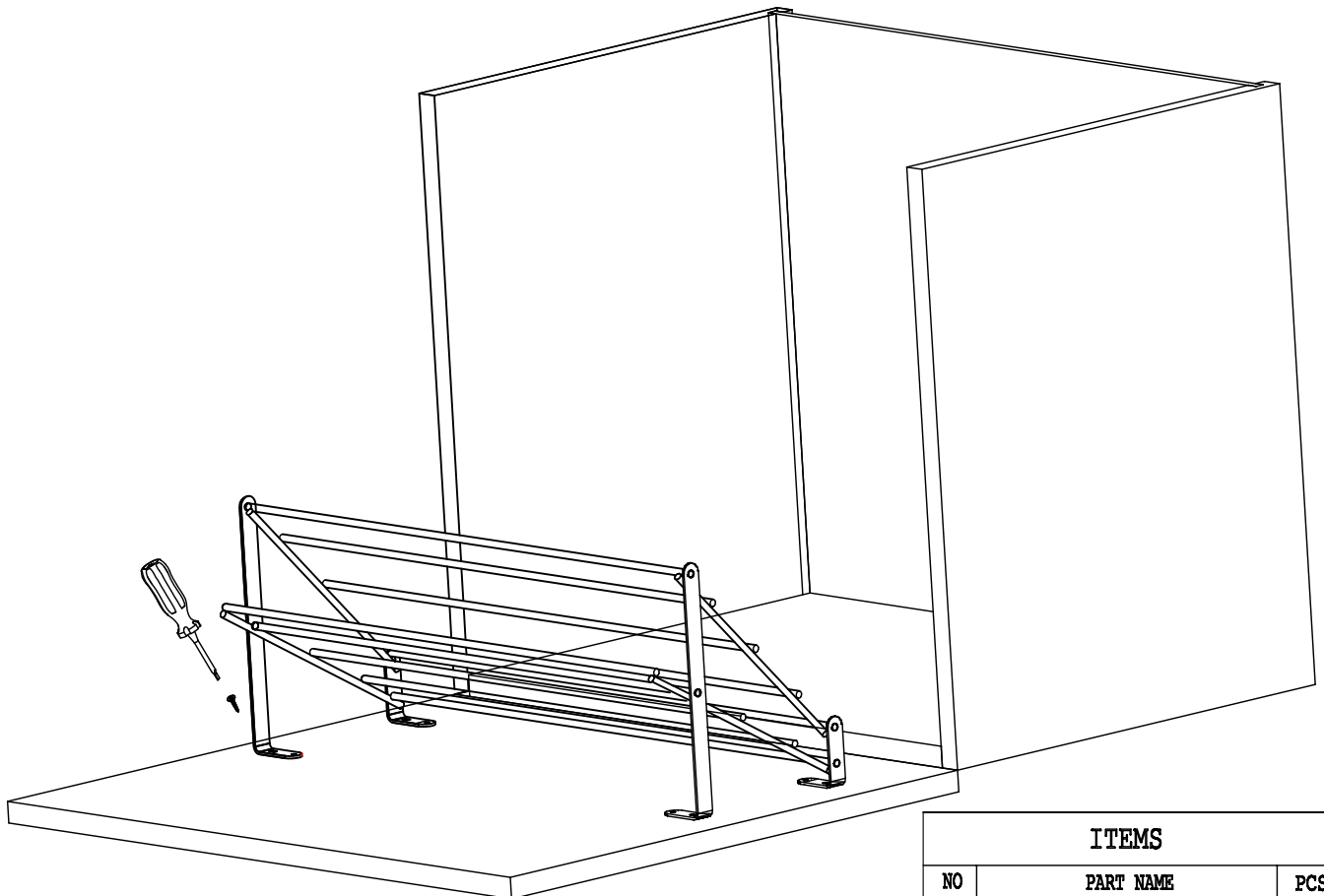


# TWO SHELVES OF SHOE HOLDER MOUNTED TO LID MOUNTING INSTRUCTIONS

1- Attach the long wires end of shoes divisans to holes located long and small L-shaped parts.



2- Fix long and small L-shaped part to cabinet doors with chipboard screw.



ITEMS		
NO	PART NAME	PCS.
1	LONG L-SHAPED PART	2
2	SMALL L-SHAPED PART	2
3	SHOES DIVISION	1-2
STOCK CODE: SMA38		IMAGE NO: RSM187