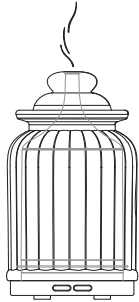


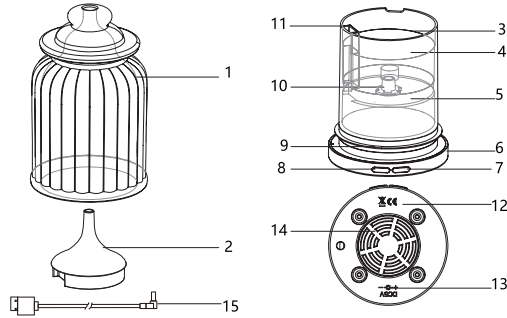
The Sweet Pot Aroma Diffuser

Instruction Manual HWI0005

PARTS



1. Glass Cover
2. Water tank Cover
3. Max Water Level Line
4. Water Tank
5. LED Light (inside)
6. Unit Base
7. Power/Mist Mode Button
8. Light Control Button
9. Silicone O-Ring
10. Ultrasonic Vibration Plate
11. Air Outlet
12. Unit Bottom
13. DC Power Jack
14. Ventilation Hole
15. USB to DC power cord



FEATURES

Strong mist output even with USB power. Elegant glass cover delivers the aromatic luxury feels to your home.

1. Water Capacity: 80 mL (2.82 fl oz)
2. Suggested Room Size: 200 sq ft (19 sq meter)
3. Continuous Operation: 4 hours
Intermittent Operation: 8 hours,
30-second intervals
4. Light Mode: Rotating, solid color, OFF (Design1)
Bright, Dim, OFF (Design 2)
5. Automatic safety shut-off
6. Power: USB Power Adapter (Optional), UL approved

CARE & MAINTENANCE

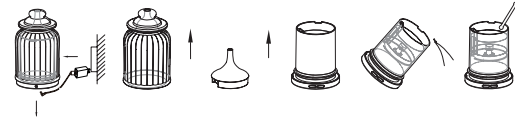
Always remove the power cord before cleaning. Only use the power cord that is supplied with the unit.

When not in use, empty the water from the side of the tank, avoiding Air Outlet. Dry with a soft cloth to avoid mineral buildup. To remove possible buildup, gently use a cotton swab dipped in white vinegar to wipe out the inside.

Note: The Ultrasonic Vibration Plate should not come in contact with any hard or sharp objects.

Do not use strong cleaning agents.


Essential oil should not come in contact with the exterior surface of the unit



INSTRUCTIONS FOR USE

1. Remove Glass Cover and Water Tank Cover. (FIG 1)
2. Pour tap water (80 mL) into the water tank up to Maximum Water Level Line. Add a few drops of your choice of essential oil (not included) directly into Water Tank. (FIG 2)
3. Replace the Water Tank Cover and Glass Cover. (FIG 1)
4. Plug the adapter end of USB Power Cord into DC Power Jack input on Unit Bottom. Plug USB end of Power Cord into USB Port or Power Adapter. (FIG 3)

5. Button Functions: (FIG 4)

Left Side – Light Control Button: 

1st push rotating color (Design 1) / 1st push bright white light (Design 2)

2nd push maintains solid color (Design 1) / 2nd push dim white light (Design 2)

3rd push turns lights off (Both Design 1 and Design 2)

Right Side – Power/Mist Mode Button: 

1st push continuous

2nd push intermittent

3rd push turns unit OFF completely

The unit will automatically turn off when water level becomes too low.

6. Use only 100% natural essential oil.

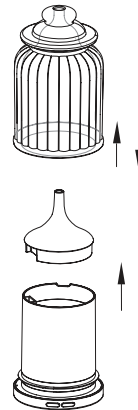


FIG 1



FIG 2



FIG 3

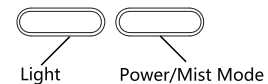


FIG 4

EU DECLARATION OF CONFORMITY



Hereby, the manufacturer Oregon Scientific, declares that the equipment type: The Sweet Pot Aroma Diffuser (HWI0005) is in compliance with the Directive 2014/30/EU. The full text of the EU declaration of conformity is available at the following Internet address: www.oregonscientific.com

DISPOSAL INFORMATION FOR USERS



Pursuant to and in accordance with Article 14 of the Directive 2012/19/EU of the European Parliament on waste electrical and electronic equipment (WEEE), and pursuant to and in accordance with Article 20 of the Directive 2013/56/EU of the European Parliament on batteries and accumulators and waste batteries.

The barred symbol of the rubbish bin shown on the equipment indicates that, at the end of its useful life, the product must be collected separately from other waste.

Please note that the batteries/rechargeable batteries must be removed from the equipment before it is given as waste. To remove the batteries/accumulators refer to the specifications in the user manual. Therefore, any products that have reached the end of their useful life must be given to waste disposal centers specializing in separate collection of waste electrical and electronic equipment, or given back to the dealer when purchasing a new WEEE, pursuant to and in accordance with Article 14 as implemented in the country.

The adequate separate collection for the subsequent start-up of the equipment sent to be recycled, treated and disposal of in an environmentally compatible way contributes to preventing possible negative effects on the environment and health and optimizes the recycling and reuse of components making up the apparatus.

Abusive disposal of the product by the user involves application of the administrative sanctions according to the laws in force.