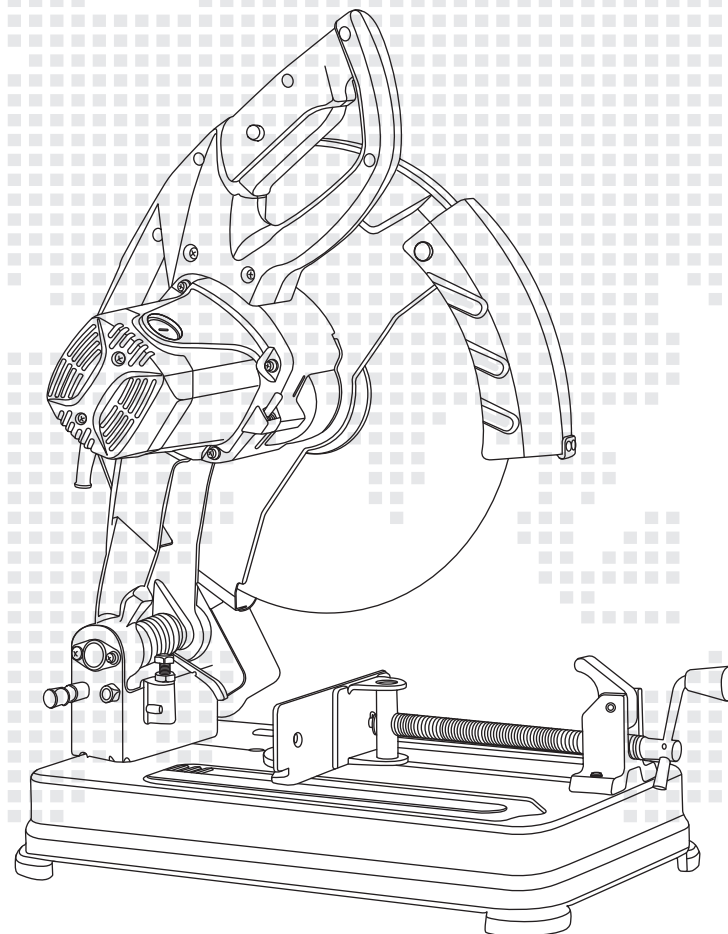




CROWN-PT_Man CT15205N_08.2019_V.1.0_VIP-6

CROWN
TOOLS FOR A BETTER LIFE

■ CT15205N



Merit Link International AG
P.O. Box 641, CH-6855 Stabio
Switzerland
www.meritlink.com



en Original instructions

ru Оригинальное руководство по эксплуатации

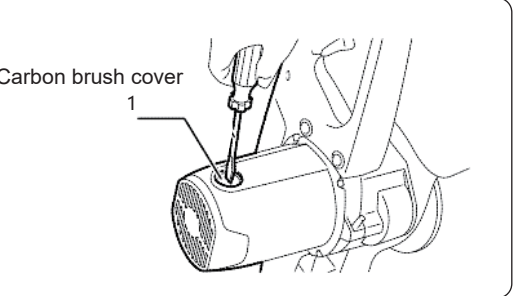
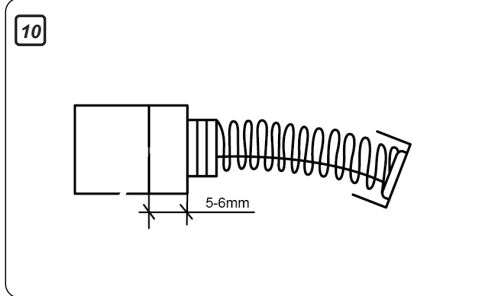
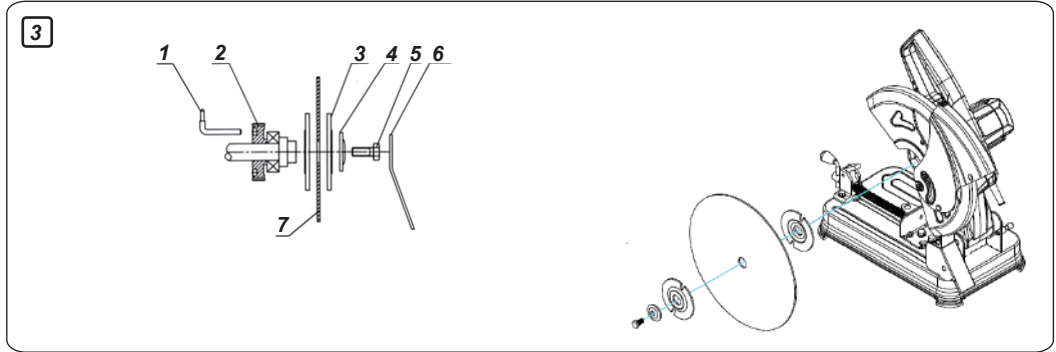
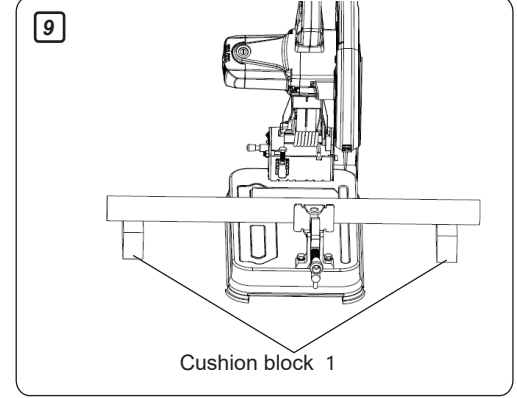
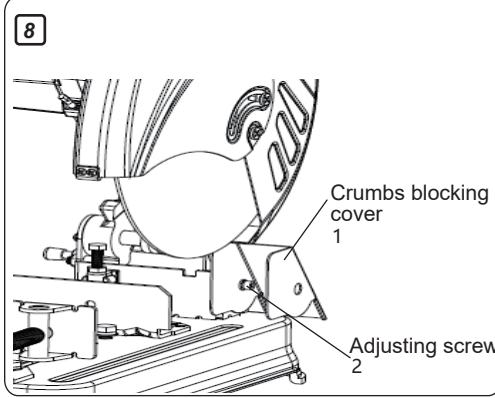
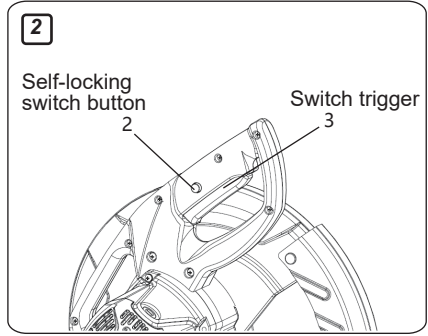
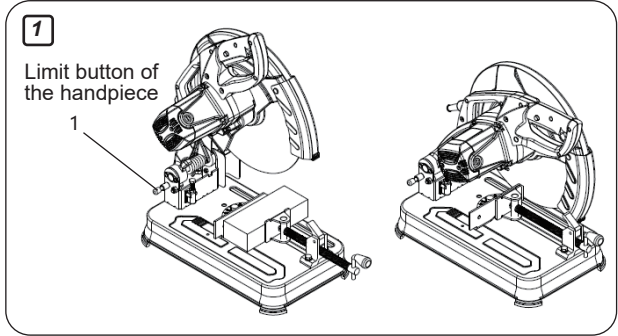
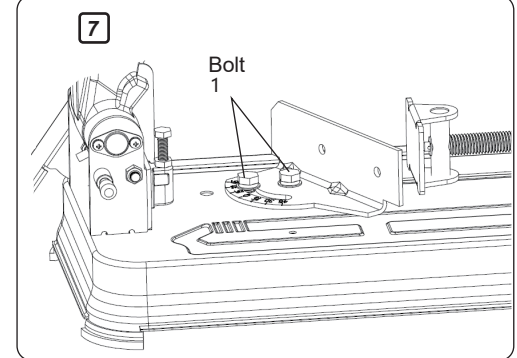
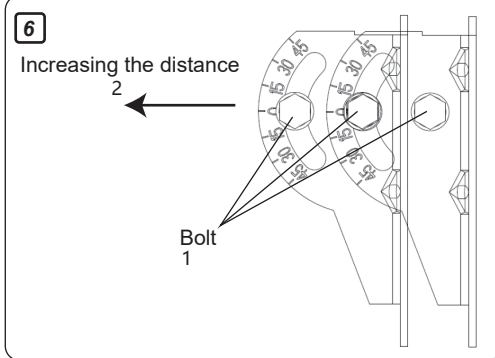
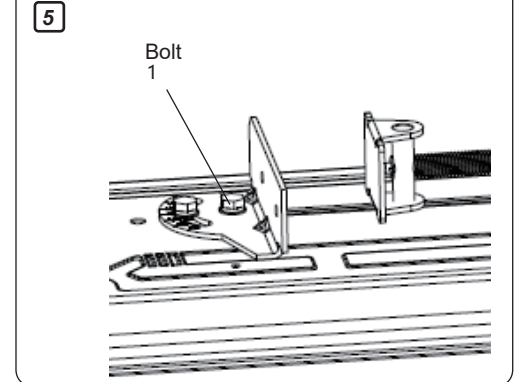
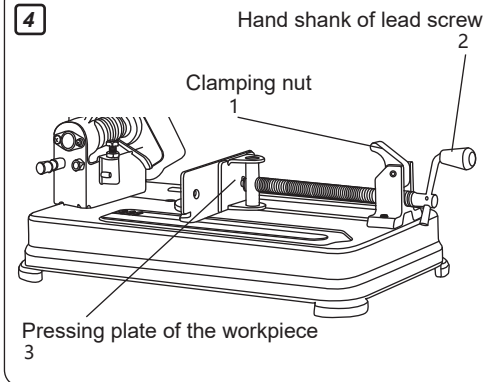
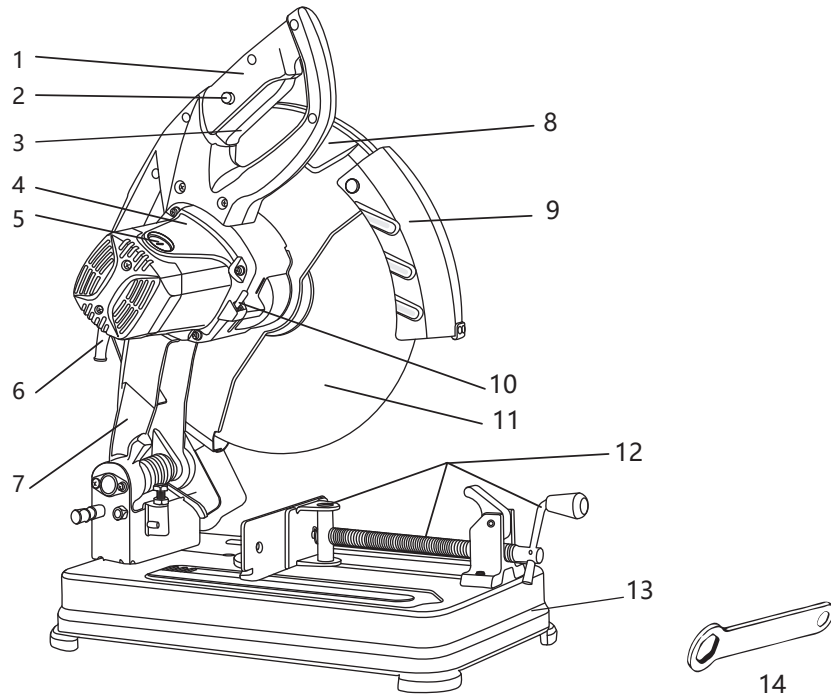
kz Пайдалану нұсқаулығының түпнұсқасы

es Manual original

ar دليل المستخدم الأصلي

fa دفترچه راهنمای اصلی

CT15205N



I. General safety instructions



Warning! Read all warnings and all instructions. Electric shock, fire and/or serious injury may be caused if failing to observe following warnings and instructions. Keep all warnings and instruction books for reference. In all warnings listed below, the term "power tool" refers to power tool driven by the mains supply (wired) or the battery (wireless).

Attention: We should pay attention to the basic safety matters listed below to reduce accidents such as fire, electric shock or injury when using power tools.

a). Safety of the work site

1. **Keep the work site clean and bright.** Chaotic and dark site may cause an accident.
2. **Do not operate power tools in explosive atmospheres, such as those any flammable liquid, gas or dust.** Spark generated by power tools may ignite the dust or gas.
3. **Operate power tools after all children and bystanders leave.** Inattention may make the operator lose control over the tool.

b). Electrical safety

1. **Plugs of power tools shall match with sockets. The plugs shall not be modified in any way.** No changeover plug shall be used for power tools to be grounded. Plugs not modified and matching sockets may reduce shock hazard.
2. **Avoid human exposure to the grounded surface, such as the pipeline, cooling fin or refrigerator.** Body grounding may increase shock hazard.
3. **Do not expose power tools in the rain or humid environment.** Water ingress into power tools may increase shock hazard.
4. **Do not misuse wires. Wires shall not be used to carry or pull power tools or plugs.** Keep wires away from heat source, oil, sharp edge or moving parts. Damaged or winding flexible wire may increase shock hazard.
5. **Use external flexible wire suitable for outdoor use when using power tools outdoors.** Flexible wire suitable for outdoor use may reduce shock hazard.
6. **Residual current action protector shall be used if electric tool is in humid environment inevitably. Use of RCD can reduce electric shock.**

c). Personal safety

1. **Operator shall not operate electric tool when operator feels tired or encounters drug, alcohol or therapeutic response.** Instantaneous negligence during operation of electric tool will lead to serious personal injury.
2. **Use personal protective equipment. Always wear the eye protector.** Safety device, such as the dust mask, skidproof safety shoe, safety helmet, ear protection, and other devices used under appropriate conditions may reduce personal injury.
3. **Prevent accidental activation. Ensure the switch in the OFF position when connecting to the power source and/or battery holder, or picking up or carrying the tool.** Plug insertion when the fingers are put on the switch powered on or the switch is in ON position may cause hazard.
4. **Before connection of power tools, take off all regulating keys or wrenches.** Wrenches or keys left on rotating parts of power tools may cause personal injury.
5. **Do not stretch out the hands too long.** Always pay attention to the foothold and body balance to control power tools well in emergency.
6. **Dress appropriately. Do not wear loose clothes or wear jewelry. Keep the clothes, gloves and hairs away from moving parts, and do not wear gloves made of materials easy to wind in (such as cotton, wool, thread, etc).** Loose clothes, jewelry or long hair may be wound in easily to moving parts, which will cause injury.
7. **Ensure that any device provided for connection to chip removal or dust collection equipment is well connected and appropriately used.** Use of such device may reduce hazard caused by chip or dust.

d). Use and considerations of power tools

1. **Do not misuse power tools, and use appropriate power tools based on application.** Selection of appropriately

designed power tools may make you work more effectively and safely. **2. Power tools whose power source can not be turned on or turned off with the switch shall not be used.** Power tools not available to be controlled with the switch are dangerous and shall be repaired.

3. Before any adjustment, accessory replacement or power tool storage, pull the plug from power source and/or separate the battery holder from the tool. Such protective measures may reduce hazard caused by accidental activation of tools.

4. Store idle power tools beyond the reach of children, and prevent people not familiar with power tools or not understanding such instructions from operating power tools. It will be dangerous for power tools to be held by users having not received the training.

5. Maintain power tools. Check to see whether the moving parts are adjusted in place or stuck, and check breakage of parts and other factors affecting operation of power tools. Repair power tools before use if there is any damage. Many accidents are caused by poorly maintained power tools.

6. Keep cutters sharp and clean. Well maintained cutters with sharp cutting edges are not easy to get stuck but easy to control.

7. Use accessories of power tools and tool bits after taking consideration of operating conditions and operation in progress according to the way required by the operation instruction and special type of the power tool intended to be used. Use of power tools for operations not matching with their applications may cause hazard.

e). Maintenance

Deliver your power tool to professional maintenance personnel to perform maintenance with the same spare parts. In this way, it can ensure safety of the power tool to be maintained.

II. Special safety instructions cut-off saw



The following safety precautions for use of electric hammer are required to be followed. Otherwise, damages may be caused to the tool or your body.

The Particular Requirements for Cutting Machine

- 1) When the cutting operation is in process, please wait for the motor entering into the normal operation, then the work shall be continued; if the motor is operated before entering into the normal operation, the cut surface of the workpiece shall be uneven.
- 2) The overlarge load shall not be applied to the products; the incorrect operating ways shall result in the breakage of the grinding wheel, and the motor shall be damaged.
- 3) The surface bounce of the grinding wheel shall be confirmed; if the bounce of the new grinding wheel is overlarge, then the grinding wheel shall be broken. If surface runout of grinding wheel is too large, please replace it with a new one.
- 4) The eyes protector shall be worn;
- 5) The broken grinding wheel shall not be used;
- 6) The proximate matter without shield at the right position shall not be used;
- 7) The grinding wheel recommended by the manufacture shall only be used, and the indicated speed shall equal or exceeds the indicated speed of the tools; the grinding wheel with linear speed no less than 4800m/min shall be adopted.
- 8) The operating instructions provided by the grinding wheel manufacture shall be read carefully.
- 9) Do not impact the grinding wheel. If the grinding wheel under rotation is impacted, then the grinding wheel shall be broken, and the serious injury shall be caused to the human body.
- 10) Do not use the surface of the grinding wheel to grind the work. If the surface of the grinding wheel is used to grind the work, then the grinding wheel shall be broken, and the serious injury shall be caused to the human body.
- 11) Unconcerned personnel shall not be allowed to get close. During the operation, the spark produced shall make injury to the human body.
- 12) When the parts (clips, gaskets, screws, etc.) have any breakage, please stop using them. When it is not fixed and stable while using, the grinding wheel shall be broken, and the injury to the human body shall be caused.

13) The direction of the spark produced in the cutting shall against to the place which is not dangerous. If any inflammable matters exist around the spark, the safety accidents may be caused.

14) The operation shall be executed after the workpiece is reliably clamped to the working chassis. No fixed clamped workpiece shall be burst out to cause the injury to the human body.

Use of signs



Attention: Please make sure to identify the product model on nameplates as the same machine can have different parameters. The voltage range of the model is 220~230 V, 50/60 Hz, which is inapplicable to low-voltage areas and countries with special regulations on power utilization.



Please put on protective glasses.



Please put on insulating rubber soled shoes.



Please put on earmuff.



Please put on insulating gloves.



please notice the power line



please protect your fingers



Garbage disposal replaced by material recycling. In response to environmental protection, machines, accessories and packages, once damaged, shall be classified in details and completely recycled. The instruction is printed on chloride-free recycled paper, and the plastic portion provides detailed information on its components.

III. Product introduction/description and technical parameters

Technical parameters

Product model	CT15205N
Rated power (W)	2200
Output power (W)	1400
Current value of the pressure (220V)	10.3 A
No-load speed (r/min)	3800
Safety class	II/回
Net weight of tool (kg)	14.5
Angle of clamp adjustment (°)	± 45
The maxi. Opening of the clamp (mm)	200
Grinding wheel size (external diameter x thickness x internal diameter mm)	Φ355*3*Φ25.4
<input type="radio"/> Circular section workpiece (length x height, 0°/45°mm)	110 / 90
<input type="checkbox"/> Square section workpiece (length x height, 0°/45°mm)	95x95 / 90x90

<input type="checkbox"/> Rectangular section workpiece (length x height, 0°/45°mm)	70x180 / 60x110
<input type="checkbox"/> Angle form workpiece (length x height, 0°/45°mm)	95x95 / 90x90

Product description

Parts shown in the illustration:

1. Handle
2. Self-locking knob
3. Switch
4. Enclosure
5. Carbon brush cover
6. Cable
7. Support
8. Fixed shield
9. Moving shield
10. Spindle lock button
11. Grinding wheel
12. Clamping component of workpiece
13. Base
14. Wrench

IV. Function and operation instructions & accessory installation instructions



Attention: before the use, please read the instruction carefully. When the electric tool and fittings are going to be maintained, the cable plug must be pulled out from the socket.

Operation of the handpiece limit (see Fig. 1)

When the tools need to be fixed, then the operating handle shall be pressed downward, and the handpiece limit button needs to be inserted into the limit hole, then the tool can be fixed.

When the tool needs to be put into use, the handpiece limit button needs to be pulled out outward, and after the handpiece of the tool is put up and reset, then it can be put into use.

2. Operation of the switch (see Fig. 2)

For starting of this tool, you just need to raise the switch trigger. When the trigger is loosen, then the tool shall stop rotating, if you want to make the machine rotate continuously, you just need to press the self-locking button after the switch trigger is raised, and if you raise the trigger again, then loosen it, the continuous rotation shall be stopped.

3. Removal and installation methods of the grinding wheel (see Fig. 3)

1). Remove the grinding wheel. Use the left hand to push the stop pin 1 to the hole of gear 2, and then use the wrench to loosen the bolt 5, then the grinding wheel 7 shall be taken out.

2). Install the grinding wheel. After the dust in the grinding wheel splint 3, spacer 4 and bolt 5, then the grinding wheel 7 shall be installed. Then the grinding wheel splint 3, spacer 4 and bolt 5 shall be installed in order. As last, use the hand to grasp grinding wheel 7 tightly, and use wrench 6 to lock up the bolt 5. After the installation in finished, the stop pin 1 shall be confirmed that whether it returns to the initial position.

4. Methods of fixing the workpiece (see Fig. 4)

Loosen the workpiece: rotate the hand shank of the lead screw in anticlockwise to loose the thread, then push the clamping nut to the direction of the hand shank of the lead screw, at this time, pull the lead screw backward quickly and remove the workpiece.

Clamp the workpiece: push the lead screw to the clamped workpiece of the pressing plate of the workpiece, then push the clamping nut so as to contact with the lead screw thread, and then rotate the hand shank of the lead screw in clockwise, then the workpiece shall be fixed.

Attention: If the workpiece needs larger space or distance, then please adjust the space or distance as following procedures, then refer the front and back adjustment status to Fig. 5.

Remove two bolts which fix the guide plate, then move the guide plate as Fig. 6. Then install the bolts for fixation.

5. Methods of setting up the cutting angle (see Fig. 7)

If the cutting angle needs to be changed, please loose two bolts which are fixing the guide plate, and then rotate the guide plate to the required angle, lastly the bolts shall be tighten up.

6. Adjustment method of crumbs blocking cover (see Fig. 8)

A crumb blocking cover is installed on the support. The angle of crumb blocking cover shall be adjusted by loosening the screw according to the operation needs, to prevent the splashing of the spark.

7. Cutting schematic of square workpiece (see Fig. 9)

When cutting long workpieces, mat on both sides with cushion block of nonflammable material, and keep workpieces and base horizontal.

V. Servicing, maintenance and contact information of after-sale services

The replacement period of the grinding wheel .Use the worn grinding wheel shall affect the working efficiency, please replace it with the new one. Before use, please inspect whether the grinding wheel has any cracks and transformation, if any, please replace it in time.Worn grinding wheel will influence work efficiency and please replace it with a new one promptly.

Inspect the screw of each part .Bolts connecting each part shall be inspected. The screw of each position shall be inspected regularly so as to check whether any looseness exists, if any, the loose screw must be screwed down in time; if the loose screw is used, the danger shall be easily caused.

Storage after the operation. When the operation is completed, the power supply plug shall be pulled out, and the tool shall be stored in the position which cannot be easily reached.

Dedusting .Each time after the use, the dust in every part of the machine shall be removed so as to prevent the machine from damaging due to the dust enter into the motor.

The carbon brush needs to be checked and replaced regularly. After the period of using the machine, the carbon brush shall be shorten, and when the carbon brush is only 5 to 6mm long, please replace the carbon brush so as to prevent the machines from damage.

Replacement Procedures of the Carbon Brush:

Carbon brush shall be removed and inspected regularly and it shall be replaced when it reaches wear limit.Please keep carbon brush clean and it shall slide freely in the scope of brush holder. Two carbon brushes shall be replaced at the same time and please use fittings of original factory.

2) The carbon brush cover shall be removed with flathead screwdriver, put in new carbon brush and then the new carbon brush shall be inserted and the carbon brush cover shall be tighten up.

I. Общие правила техники безопасности



Предупреждение! Прочитайте все предупреждения и все инструкции. При несоблюдении следующих предупреждений и инструкций возможно поражение электрическим током, возгорание и/или серьезные травмы. Сохраните все предупреждения и инструкции для справки. Во всех перечисленных ниже предупреждениях термин «Электроинструмент» относится к электроинструменту, приводимому в действие сетевым питанием (проводным) или аккумулятором (беспроводным).

Внимание: Мы должны обратить внимание на основные вопросы безопасности, перечисленные ниже, чтобы уменьшить несчастные случаи, такие как пожар, поражение электрическим током или травмы при использовании электроинструмента.

а). Безопасность работы сайта

1. Содержите рабочее место в чистоте и яркости. Хаотичное и темное место может стать причиной несчастного случая.

2. Не работаете с электроинструментом во взрывоопасных средах, таких как легковоспламеняющиеся жидкости, газы или пыль. Искра, создаваемая электроинструментом, может воспламенить пыль или газ.

3. Используйте электроинструменты после того, как все дети и посторонние уйдут. Невнимание может привести к тому, что оператор потеряет контроль над инструментом.

б). Электрическая безопасность

1. Штепсели электроинструмента должны совпадать с розетками. Заглушки не должны быть изменены каким-либо образом. Для заземления электроинструмента нельзя использовать штепсель переключения. Штекеры не модифицированы, а соответствующие розетки могут снизить риск поражения электрическим током.

2. Избегайте контакта человека с заземленной поверхностью, такой как трубопровод, ребро охлаждения или холодильник. Заземление корпуса может увеличить опасность поражения электрическим током.

3. Не подвергаете электроинструменты воздействию дождя или влаги. Попадание воды в электроинструмент может повысить риск поражения электрическим током.

4. Не используете провода неправильно. Провода не должны использоваться для переноски или тяги электроинструментов или вилок. Держите провода вдали от источников тепла, масла, острых кромок или движущихся частей. Повреждение или намотка гибкого провода может увеличить опасность поражения электрическим током.

5. Используйте внешний гибкий провод, подходящий для наружного использования при использовании электроинструментов на открытом воздухе. Гибкий провод, подходящий для наружного использования, может снизить опасность поражения электрическим током.

б. Устройство защиты от остаточного тока должно использоваться, если электроинструмент неизбежно находится во влажной среде. Использование УЗО может снизить риск поражения электрическим током.

с). Личная безопасность

1. Оператор не должен использовать электроинструмент, если он чувствует себя уставшим или сталкивается с наркотиками, алкоголем или терапевтическими реакциями. Мгновенная небрежность во время работы электроинструмента приведет к серьезным травмам.

2. Используйте средства индивидуальной защиты. Всегда надеваете защитные очки. Защитные устройства, такие как респиратор, нескользящая защитная обувь, защитный шлем, защитные наушники и другие устройства, используемые в соответствующих условиях, могут уменьшить травмы.

3. Предотвратить случайную активацию. Подтвердите, что переключатель находится в положении ВЫКЛ при подключении к источнику питания и/или держателю батареи, а также при поднятии или переноске инструмента. Вставка штекера, когда пальцы включены на включенный выключатель или когда он находится в положении ВКЛ, может стать причиной опасности.

4. Перед подключением электроинструментов снимите все регулировочные ключи или ключи. Ключи или ключи, оставленные на вращающихся частях электроинструмента, могут привести к травме.

5. Не вытягиваете руки слишком долго. Всегда обращайте внимание на опоры и баланс тела, чтобы хорошо контролировать электроинструмент в чрезвычайной ситуации

6. Оденьтесь соответственно. Не носите свободную одежду и не носите украшения. Держите одежду, перчатки и волосы вдали от движущихся частей и не надевайте перчатки из материалов, которые легко наматывают (например, хлопок, шерсть, нитки и т. д.). Свободная одежда, украшения или длинные волосы могут быть легко намотаны на движущиеся части, что может привести к травме.

7. Подтвердите, что любое устройство, предназначенное для подключения к оборудованию для удаления стружки или пылеулавливания, правильно подключено и правильно используется. Использование такого устройства может снизить опасность, вызванную стружкой или пылью.

d). Использование и соображения электроинструментов

1. Не злоупотребляете электроинструментами и используете соответствующие электроинструменты в зависимости от применения. Выбор правильно спроектированных электроинструментов может сделать вашу работу более эффективной и безопасной. Не следует использовать электроинструменты, источник питания которых нельзя включать или выключать с помощью переключателя.

Электроинструменты, недоступные для управления с помощью переключателя, опасны и должны быть отремонтированы.

3. Перед любой регулировкой, заменой аксессуара или хранением электроинструмента вытащите штепсель из источника питания и/или отсоедините держатель батареи от инструмента. Такие защитные меры могут снизить опасность, вызванную случайной активацией инструментов.

4. Храните неработающие электроинструменты в недоступном для детей месте и не допускаете, чтобы люди, не знакомые с электроинструментами или не понимающие такие инструкции, работали с электроинструментами. Пользователям, не прошедшим обучение, будет опасно держать электроинструменты.

5. Поддерживаете электроинструменты. Проверьте, отрегулированы ли подвижные части на месте или застряли, а также проверьте поломку частей и другие факторы, влияющие на работу электроинструмента. Отремонтируете электроинструмент перед использованием, если есть повреждения. Многие несчастные случаи вызваны плохо обслуживаемыми электроинструментами.

6. Держите резцы острыми и чистыми. Ухоженные ножи с острыми режущими кромками не просто застряют, но легко контролировать.

7. Используйте принадлежности электроинструментов и инструментальных наконечников после учета условий эксплуатации и выполняемой работы в соответствии с требованиями, изложенными в инструкции по эксплуатации, и специальным типом электроинструмента, который предполагается использовать. Использование электроинструментов для операций, не соответствующих их применению, может привести к опасности.

е). Техническое обслуживание

Доставьте ваш электроинструмент профессиональному обслуживающему персоналу для обслуживания тех же запасных частей. Таким образом, он может обеспечить безопасность электроинструмента, подлежащего обслуживанию.

II. Особые указания по технике безопасности отрезной пилы



Необходимо соблюдать следующие меры предосторожности при использовании электрического молотка.

В противном случае возможно повреждение инструмента или вашего тела.

Частные требования к автомату для резки

1) Во время операции резания подождите, пока двигатель не войдет в нормальную работу, затем работа должна быть продолжена; если двигатель работал до ввода в нормальный режим работы, поверхность среза заготовки должна быть неровной.

2) Чрезмерная нагрузка не распространяется на продукцию; неправильные способы работы должны привести к поломке шлифовального круга и повреждению двигателя.

3) Отскок поверхности шлифовального круга должен быть подтвержден; Если отскок нового шлифовального круга слишком большой, то шлифовальный круг должен быть сломан. Если биение шлифовального круга слишком велико, замените его новым.

4) Защитные очки следует носить;

5) Сломанный шлифовальный круг не должен использоваться;

6) Ближайшее вещество без щита в правильном положении не должно использоваться;

7) Следует использовать только шлифовальный круг, рекомендованный изготовителем, и указанная скорость должна быть равна или превышать указанную скорость инструмента; следует использовать шлифовальный круг с линейной скоростью не менее 4800м/мин.

8) Внимательно прочитайте инструкцию по эксплуатации, предоставленную производителем шлифовального круга.

9) Не ударяете шлифовальный круг. Если вращается шлифовальный круг, то шлифовальный круг должен быть сломан, и человеческому телу могут быть причинены серьезные травмы.

10) Не используете поверхность шлифовального круга для шлифования работы. Если поверхность шлифовального круга используется для шлифования работы, то шлифовальный круг должен быть сломан, и человеческому телу должны быть причинены серьезные травмы.

11) Неосторожный персонал не должен приближаться. Во время операции искра должна причинить вред человеческому телу.

12) Если детали (зажимы, прокладки, винты и т. д.) не имеют повреждений, прекратите их использование. Когда он не закреплен и не устойчив во время использования, шлифовальный круг должен быть сломан, и должен быть причинен вред человеческому телу.

13) Направление искры, образующейся при резке, должно соответствовать безопасному месту. Если вокруг искры существуют легковоспламеняющиеся вещества, это может привести к несчастным случаям.

14) Операция должна выполняться после того, как заготовка надежно закреплена на рабочем шасси. Не допускается разрыв фиксированной заготовки с зажимом, чтобы нанести травму человеческому телу.

Использование знаков



Внимание: Не забудьте указать модель продукта на шильдиках, так как один и тот же аппарат может иметь разные параметры. Диапазон напряжений модели составляет 220-230В, 50/60Гц, что неприменимо для областей с низким напряжением и стран, где действуют специальные правила использования энергии.



Наденьте защитные очки.



Наденьте наушники.



Наденьте изоляционную обувь на резиновой подошве.



Наденьте изоляционные перчатки.



Обратите внимание на линию электропередачи




Вывоз мусора заменен переработкой материалов. В ответ на меры по защите окружающей среды, машины, аксессуары и упаковки после повреждения должны быть детально классифицированы и полностью переработаны. Инструкция напечатана на бумаге, не содержащей хлоридов, а пластиковая часть содержит подробную информацию о ее компонентах.

III. Введение продукта / описание и технические параметры

Технические параметры

Модель продукта	CT15205N
Номинальная мощность (W)	2200
Выходная мощность (W)	1400
Текущее значение напряжения (220V)	10.3A
Загрузка без скорости (r/min)	3800
Класс безопасности	II/II
Вес нетто инструмента (kg)	14.5
Регулировка угла зажима (°)	±45
Макси. Открытие хомута (mm)	200
Размер шлифовального круга (наружный диаметр x толщина x внутренний диаметр мм)	Φ355*3*Φ25.4
○ Заготовка круглого сечения (длина x высота, 0°/45° мм)	110/90

<input type="checkbox"/> Заготовка квадратного сечения (длина x высота, 0°/45° мм)	95×95/90×90
<input type="checkbox"/> Заготовка прямоугольного сечения (длина x высота, 0°/45° мм)	70×180/60×110
 Угловая форма заготовки (длина x высота, 0°/45° мм)	95×95/90×90

Описание товара

Части, показанные на иллюстрации:

1. Ручка 2. Ручка с автостопом 3. Переключатель 4. Корпус 5. Крышка угольной щетки
6. Кабель 7. Поддержка 8. Неподвижный щиток 9. Подвижной щиток 10. Кнопка блокировки шпинделя 11. Шлифовальный круг 12. Зажимная деталь заготовки 13. База 14. Гаечный ключ

IV. Инструкция по функционированию и эксплуатации, а также инструкция по установке аксессуаров



Внимание: Перед использованием внимательно прочитайте инструкцию.

При проведении технического обслуживания электроинструмента и арматуры штекер кабеля следует вынуть из розетки.

Работа предела наконечника (см. рис. 1)

Когда инструменты должны быть зафиксированы, тогда ручка управления должна быть нажата вниз, и кнопка ограничения наконечника должна быть вставлена в ограничительное отверстие, тогда инструмент можно зафиксировать.

Когда инструмент необходимо ввести в действие, ограничительную кнопку наконечника необходимо вытащить наружу, а после того, как наконечник инструмента будет поднят и переустановлен, его можно будет использовать.

1. Кнопка предела наконечника

2. Работа переключателя (см. рис. 2)

Для запуска этого инструмента вам просто нужно поднять триггерный переключатель. Когда спусковой крючок отпущен, инструмент прекращает вращаться, если вы хотите, чтобы станок вращался непрерывно, вам просто нужно нажать кнопку самоблокировки после того, как спусковой крючок переключателя поднимется, и если вы снова нажмете спусковой крючок, отпустите это, непрерывное вращение должно быть остановлено.

1. Самоблокирующийся переключатель 2. Переключить триггер

3. Методы снятия и установки шлифовального круга (см. рис. 3)

1). Снимите шлифовальный круг. С помощью левой руки протолкните стопорный штифт 1 в отверстие шестерни 2, а затем с помощью гаечного ключа ослабьте болт 5, после чего шлифовальный круг 7 должен быть извлечен.

2). Установите шлифовальный круг. После пыли в шлифовальном круге 3, приставке 4 и болте 5 следует установить шлифовальный круг 7. Затем шлифовальный круг, шина 3, приставке 4 и болт 5 должны быть установлены по порядку. В качестве последнего, используете руку, чтобы крепко схватить шлифовальный круг 7, и используете гаечный ключ 6, чтобы зафиксировать болт 5. После завершения установки стопорный штифт 1 должен быть подтвержден, возвращается ли он в исходное положение.

4. Способы крепления заготовки (см. рис. 4)

Ослабьте заготовку: Поверните ручку хвостовика ведущего винта против часовой стрелки, чтобы ослабить резьбу, затем нажмите зажимную гайку в направлении ручного хвостовика ведущего винта, в это время быстро потяните ведущий винт назад и снимите заготовку.

1. Ручной хвостовик ведущего винта 2. Зажимная гайка

3. Прижимная пластина заготовки

Зажмите заготовку: прижмите ведущий винт к зажимной заготовке прижимной пластины заготовки, затем нажмите на зажимную гайку, чтобы войти в контакт с резьбой ведущего винта, а затем поверните ручку хвостовика ведущего винта по часовой стрелке, затем заготовка должна быть зафиксирована.

Внимание: Если заготовке требуется большее пространство или расстояние, отрегулируете пространство или расстояние, как описано ниже, а затем отрегулируете состояние регулировки передней и задней части на рис. 5. 1. Болт

Снимите два болта, которые крепят направляющую пластину, затем переместите направляющую пластину, как показано на рис. 6. затем установите болты для фиксации. 1. Увеличение расстояния 2. Болт

5. Методы настройки угла резания (см. Рис. 7) 1. Болт

Если необходимо изменить угол резки, ослабьте два болта, которые крепят направляющую пластину, а затем поверните направляющую пластину на требуемый угол, и, наконец, болты должны быть затянуты.

6. Способ регулировки крышки блокировки крошки (см. рис. 8)

Крышка для блокировки крошки установлена на подставке. Угол наклона крышки крошки должен быть отрегулирован путем ослабления винта в соответствии с потребностями эксплуатации, чтобы предотвратить разбрызгивание искры.

1. Крышка для блокировки крошки 2. Регулировочный винт

7. Схема резки квадратной заготовки (см. рис. 9)

При резке длинных заготовок коврите с обеих сторон блок подушки из негорючего материала и держите заготовки и основание в горизонтальном положении.

1. Блок подушки

IV. Сервис, обслуживание и контактная информация послепродажного обслуживания

Период замены шлифовального круга. Использование изношенного шлифовального круга должно влиять на эффективность работы, замените его новым. Перед использованием проверьте, нет ли на шлифовальном круге трещин и изменений, если

таковые имеются, своевременно замените его. Изношенный шлифовальный круг повлияет на эффективность работы и, незамедлительно замените его на новый.

Осмотрите винт каждой детали. Болты, соединяющие каждую деталь, должны быть проверены. Винт каждого положения должен регулярно проверяться, чтобы проверить, существует ли ослабление, если оно есть, ослабленный винт должен быть завинчен вовремя; если используется ослабленный винт, опасность должна быть легко вызвана.

Хранение после операции. Когда операция завершена, штепсель электропитания должен быть извлечен, и инструмент должен храниться в положении, которое не может быть легко достигнуто.

Удаление пыли. Каждое время после использования следует удалять пыль из каждой части машины, чтобы предотвратить повреждение машины из-за попадания пыли в двигатель.

Угольную щетку необходимо регулярно проверять и заменять. После периода использования машины угольная щетка должна быть укорочена, а когда угольная щетка имеет длину всего 5–6 мм, замените угольную щетку, чтобы не повредить машины. 1. Карбоновая щетка

Процедуры замены угольной щетки:

Угольная щетка должна регулярно сниматься и проверяться, и ее следует заменять, когда она достигает предела износа. Содержите в чистоте угольную щетку, и она должна свободно скользить в области держателя щетки. Две угольные щетки должны быть заменены одновременно, и используйте фитинги оригинальной фабрики.

2) Крышка угольной щетки должна быть удалена плоской отверткой, вставлена новая угольная щетка, затем вставлена новая угольная щетка и крышка угольной щетки должна быть затянута.

Бірінші, Жалпы қауіпсіздік ережелері



Ескерту! Барлық ескертулер мен нұсқаулықтарды оқып шығыңыз. Төмендегі ескертулер мен нұсқауларды орындамау электр төгінің соғуына, өртке және / немесе ауыр жарақатқа әкелуі мүмкін. Барлық ескертулер мен нұсқаулықтарды қайталай қарап пайдалану үшін сақтап қойыңыз.

Төменде келтірілген барлық ескертулерде «Электр құралы» қаладағы электрмен жұмыс істейтін (сымды) электр құралдар немесе батериямен жұмыс істейтін (сымсыз) электр құралын білдіреді.

Ескерту: Электр құралдарын пайдалану кезінде өрт, электр тогының соғуы немесе жарақаттану сияқты жағдайларды азайту үшін төменде келтірілген қауіпсіздік техникасының негізгі элементтеріне назар аудару керек.

а) Жұмыс орнындағы қауіпсіздік

1. Жұмыс орнын таза және ашық ұстаңыз. Ретсіздік пен қараңғылық апат тудыруы мүмкін.

2. Электр құралын орт тудыратын ортада Яғни жанғыш сұйықтық, газ немесе шаң тозанды ортада пайдаланбаңыз. Электр құралдарынан шыққан от ұшқындары шаңды немесе газды тұтатады.

3. Электр құралдары жұмыс барысында балалар мен тамашалаушыларды қызымет ортасынан ауаша ұстау керек. Қызымет барысындағы абайсыздық электр құралдарын меңгерусіз күйге тұсыруы мүмкін.

б). Электр қауіпсіздігі

1. Электр құралының ашалы сұғылмасы сөзсіз розеткаға сәйкес болуы керек. Ашалы сұғылманың басын ешқашан өзгертпеңіз. Жерге қосылған электр құралы әрқандай басы өзгертілген ашалы сұғылмаға қолдануға болмайды. Өзгертіп құрастырмаған ашалы сұғылма және сәйкесті розетка электре тоқтінің соғу қаупын азайтады.

2. Адам денесінің жерге тұйықталған беттермен жанасуынан сақтаныңыз, мысалы: құбырлар, жылу раковиналары және тоңазытқыштар. Егер дененіз жерге қосылған беттермен жанасса, электр тогының соғу қаупын арттырады.

3. Электр құралдарын жанбырға немесе ылғалға тигізбеңіз. Электр құралына су кіруі электр тогының соғу қаупін арттырады.

4. Сымдарды албаты пайдаланбаңыз. Сымдардан пайдаланып электр құралын жөткеуге, тасымалдауға немесе тоғ көзінен тартып шығаруға болмайды. Сымдарды

7. Егер ұшқын және шаң жинауға арналған жабдықтар ұсынылған болса, олардың дұрыс жалғанғанына көз жеткізіңіз. Бұл құрылғыларды шаң тозаңнан туылатын қауіп қатерді азайтады.

d) Электр құралын пайдалану және сақтық шаралары

1. Электр құралдарын албаты пайдаланбаңыз, құралдарды қолдану орынына қарай таңдап қолданыңыз. Дұрыс электр құралын таңдап қолдану жұмысңызға тыйымдірекәрі хауыпсыз.

2. Айырып қосқышты аспағанда немесе оны өшіріп тастағанда, бұлэлектр құралын пайдалануға болмайды. Айырып қосқыш істен шыққан электр құралдары өтехауыпты, сондықтан оларды деркезінде жөндеу қажет.

3.Теңшеу, запчастарды алмастру кезінде немесе электр құралдарын сақтау алдында ашалы сұғылманы қуат көзінен ажыратып тастаңыз және батареядасін шығарып алыңыз. Бұндай қорғау қызметтері құралы құралдың кездейсоқ іске қосылу қауыпн азайтады.

4. Пайдаланылмаған электр құралдарын балалардың қолы жетпейтін жерде сақтаңыз және электр құралдарымен таныс емес немесе осы нұсқауларды түсінбейтін адамдарға электр құралдарын ұстатпаңыз. Пайдаланбаңыз. Электр құралдары қолдануды арнаулы үйренбегендер үшін асахауыпты.

5.Электр құралдарын күтімдеу. Қозғалыс бөлшектерінің дұрыс жүрген жүрмегенін немесе қыстырылып қалған қалмағанын тексеріңіз, бөлшектердің зақымдануын ахуалын және электр құралының жұмысына әсер ететін басқа жағдайларды тексеріңіз. Зақымдалған жағдайда электр құралын пайдаланбас бұрын жөндеңіз. Көптеген кінәраттарэлектр

құралдарының дұрыс пайдаланылмауынан болады.

6. Кесу құралын өткір және таза ұстаңыз. Кесетін жиектері жақсы ұсталған құралдар оңай кептеліп қалмайды және меңгеру оңай болады.

7. Жұмыс шарт жағдайы және атқарылатын жұмыс түрі жұмыс нұсқаулығына сәйкес және қолданылатын құралдың арнайы түріне сәйкес орындалады. Электр құралдарын мақсатына сәйкес келмейтін жұмыстарға қолдану қатерлі жағдайды келтіріп шығарады.

e). Жөндеу

Қолыңыздағы Электр құралын

электр құралын білікті қызмет көрсету мамандарына жіберіп жөндетіңіз, сәйкес

бөлшектерді қолданыңыз. Бұл жөнделетін электр құралының қауіпсіздігін қамтамасыз етеді.

Екінші, профильді кесетін машина үшін арнайы қауіпсіздік нұсқаулары



Төменде профиль кескішті пайдалану кезіндегі қауіпсіздік шаралары берілді, нұсқаулыққа байланысты пайдаланыңыз, әйтпесе құрал зақымдалуы немесе қолданушы қызметкер жарақат алуы мүмкін.

1. Кесу қызметі кезінде, мотор толық оталғансоң барып жұмыс жасаңыз ; мотор толық оталмай жұмыс жасалса кесілген бет тегіс болмай қалады.

2. Өнімге шамадан тыс салмақ салмаңыз ; дұрыс болман жұмыс тәсілі доңғалақтың сынуына және қозғалтқыштың зақымдалуына әкелуі мүмкін.

3. Тегістеуіш доңғалақтың беті секіріп тұрған тұрмағанын қадағалаңыз ; егер тегістеуіш доңғалақтың секіруі өте үлкен болса, оны жаңасымен ауыстырыңыз.

4. Көзілдірік киіңіз;

5. Зақымдалған тегістеуіш дөңгелектерді пайдаланбаңыз;

6. Лайықты жерінде қорғағышы жоқ профильд кескіштерді пайдаланбаңыз ;

7. Тек өндіруші ұсынған тегістеуіш доңғалақты қолданыңыз, көрсетілген жылдамдық аспаптың белгісінде көрсетілген жылдамдыққа тең немесе одан үлкен болсын ; жылдамдығы 4800m/min -нен кем емес тегістеуіш доңғалақты таңдаңыз.

8. Тегістеуіш дөңгелек өндіруші завод ұсынған пайдалану нұсқауларын оқып шығыңыз.

9.Тегістеуіш дөңгелекті қатты соқыламаңыз. Айналымы тегістеуіш доңғалақ соққыға ұшыраса бұзылады, адам денесін ауыр дәрежеде жарақаттайды.

10. Тегістеуіш доңғалақты басқа егеу жұмстарына қолданбаңыз. Айналып тұрған тегістеуіш доңғалақты егеу қызиметыне пайдаланғанда дөңгелектің жарқаштанады, адамды жаралайды.

11. Қызимет барысында қатысыз адамдарды жақындатпаңыз. Жұмыс кезінде пайда болған ұшқындар адам ағзасына зиян келтіруі мүмкін.


12. Тегістеуіш доңғалақтың бөлшектері (білік, төсеніш, бұранда және т. Б.) зақымдалған кезде, оларды пайдалануды тоқтатыңыз. Егер қолданылу барысында босаса тегістеуіш дөңгелегі бұзылып, адам жарақат алуы мүмкін.

13. Кесу натижесынде пайда болған ұшқын бағыты қауіпсыз орынға бағытталуы керек. Ұшқындардың жанғыш заттарға тыйсе апат тудыруы мүмкін


14. Өнделетін дайындамалар (материял) жұмыс көрпусінә мықтап Бекітілуі керек.

Дұрыс бекітілмеген дайындамалар орнынан ұшып кетіп, адам жарақат алуы мүмкін.

Белгілердің қолданылу орны

	Ескертпе: құрылғы тақтайшасында өнім маркасындағы өнім тұрпатын анық көріп таныңыз, ұқсас бір аспап үстінде ұқсамаған пәрәметрлер болуы мүмкін. Осы өнімге арналған қуат көзі 220-230 (V) вольт, 50/60 (Гц) Гц, төмен кернеулі жерлерде және электр қуатының арнайы ережелері бар елдер қолдануға болмайды.
--	---

					
Қорғаныш көзілдірік киіңіз	Қшауланған резеңке табан аяқ киім киіңіз	Құлақ қорғағыш киіңіз	Қорғағыш қолғап киіңіз	Қорғағыш қолғап киіңіз	Саусақтарыңызды қорғаңыз

	Материяларды қайтадан жинап алуды қоқсық ретінде тастаудың орынына қою. Қоршаған ортаны қорғау үшін, аспап, запчас және қорабында зақымдалу бар болса оларды жіктеп, қайта пайдалануға тастау керек. Бұл нұсқаулық құрамында хлор жоқ қайта өңделген қағазға басылған. Пластикалық бөлегіндегі белгіде де пластиктің құрамы егжей тегжейлі жазылған.
--	--

Үшіншіден, өнімді танстыру/ сипаттамасы, техникалық информация
Техникалы информация

Тұтынушы моделі	CT15205N
Номиналды қуат (W)	2200
Жүктеме күші (W)	1400
Кернеудің сәйкес келетін мәні (220V)	10.3A
Жүктеме жылдамдығы (r/min)	3800
Қауіпсіздік деңгейі	II/II


Құралдың таза салмағы (KG)	14.5
Қысқышты реттеу бұрышы (°)	±45
Қысқыштың үлкен ашылатын ауызы (mm)	200
Тегістеуіш доңғалақтың өлшемі (сыртқы диаметр x қалыңдығы x ішкі диаметр мм)	Φ355*3*Φ25.4
○ Дөңгелек секцияның дайындамасы (ұзындығы x биіктігі, 0° / 45° мм)	110/90
□ Шаршы бөліктің дайындамасы (ұзындығы x биіктігі, 0° / 45° мм)	95×95/90×90
□ Тіктөртбұрышты киманың дайындамасы (ұзындығы x биіктігі, 0° / 45° мм)	70×180/60×110
△ Бұрышты дайындама (ұзындығы x биіктігі, 0° / 45° мм)	95×95/90×90

Өнім сипаттамасы

Суреттегі бөліктер: бөлшектердің нөмірі электр құралының егжей-тегжейлі диаграммасындағы сәнмен бірдей.

1. Тұтқа
2. Айрып қосқышты өздігінен құлыптау кінөпкәсі
3. Айрып қосқыш тақтасы
4. Қорап
5. Көміртек шөтқа қақпағы
6. Кәбел желісі
7. Тіреуіш
8. Бекітілген қалқан
9. Жылжитын қалқан
10. Біліктің құлыптау түймесі
11. Тегістеуіш доңғалақ
12. Жұмыс дайындамасына қысқыштар
13. Отырғы
14. Тұтқа

Төртінші, функционалды пайдалану жөніндегі нұсқаулық, запчастары орнатуға арналған

	Ескерту: Қолданар алдында нұсқаулықты мұқият оқып шығыңыз. Электр құралдарын, запчастарды жөндеу барысында, ашалы сұғылманы розеткадан ажыратыңыз.
---	--

1. Машина басындағы орын шектеу жұмысы (1-суретті қараңыз)

Бекіту қызыметін алып баратын кезде, жұмыс тұтқасын төмен басып, машина басындағы орын шектеуіш кінөпкәсін шектеу тесігіне салып, құралды орнықтырыңыз. Құралды жұмсқа қосу керек болғанда болғанда, орын шектеуіш кінөпкәні сыртқа алып шығыңыз, құрал басын көтеріп қайта орнатқаннан кейін пайдалануға болады.

1. Құрылғы басындағы орын шектеуіш кінөпка
2. Оталдырып сондыру операциясы (2-суретті қараңыз)

Бұл машинаны оталдыру үшін, айрып қосқыш кінөпкәсін тартсаңыз болғаны. Айрып қосқыш кінөпкәсін босатсаңыз құрал тоқтайды, құралды үздіксіз айналдырмақшы болғанда, айрып қосқыш кінөпкәсін бас бармақпен басып кінөпкәні бекітсеңіз болғаны.

Айырып қосқыш кінөпкәсін тағы бір рет бассаңыз, үздіксіз қозғалстағы құралды тоқтатуға болады.

1. айрып қосқыш автоматты бекіту кінөпкәсы 2. айрып қосқышты ауыстрғыш

3. Тегістеу доңғалағын ажыратып алу және құрастыру әдісі (3-суретті қараңыз)

1) 1) тегістеуіш дөңгелекті шешу. Біліктің құлыптау тұтқасын1 итеріп дөңгелек тесігіне түсіргеннен 2 кейін, тұтқадан пайдаланып бұранданы 6 босатысаңыз тегістеуіш дөңгелек 5шешуге болады 7.

2) Тегістеуіш доңғалақты орнату. Сыртқы қысым тақтасындағы 3 отырғы4 және бұранда вентіндегі 5 шанды кетіргеннен кейін, тегістеуіш доңғалақты 7 салыңыз. Содан кейін сыртқы қысым тақтасы 3, отырғы 4 және бұранда вент 5 кезекпен жүктеледі. Соңында, тегістеуіш дөңгелекті 7 қолмен ұстап, 5 бұранда вентті6 кілтпен Бекітіңіз. Орнату аяқталғаннан кейін, тоқтату 1 істікшесі бастапқы қалыпқа оралған оралмағанын растау керек.

4. Дайындаманы бекіту әдісі (4-суретті қараңыз)

Дайындаманы босатыңыз: бұранданың тұтқасын босату үшін сағат тілінің бағытына қарсы бұраңыз, содан кейін қысқыш бұранда вентін бұранданың тұтқасының бағытына қарай итеріңіз. Осы кезде бұранданы артқа тез тартып дайындаманы шығарып алуға болады.

Дайындаманы қысу: бұрандаманы итеріп дайындаманы сығымдағыш тақтаға тіреп қысу, соңынан вентті алдыға итеріп бұранда өрнегіне тігізу, соңында сағат стрелкәсі бағыты бойынша бұранда тұтқаны қозғап дайындаманы Бекітіңіз

1. Бұрандалы тұтқасы 2. Қысқыш вент 3. Қызымет тақтайшасы

Ескертпе: егер дайындама үлкен болып көлемді кеңестік керек болса, төмендегі басқыштар бойынша кеңестік пен аралықты және алды артын теңшеңіз (5-суретті қараңыз) . 1. Бұранда Вент

1) дайындаманы пластинаға бекітетін екі вентті алыңыз да, дайындаманы 6-суретте көрсетілгендей тақтайшаға жылжытыңыз. 1. Аралықты үлкейту

2) содан кейін вентті қайта бұрап Бекітіңіз.

5. Кесу бұрышын орнату әдісі (7-суретті қараңыз) 1.Бұранда Вент

Егер кесу бұрышын озгерту керек болса, дайындаманы тақтайшаға бекітетін екі вентті босатыңыз, дайындама тірек тақтайшасын қажетті бұрышқа айналдырып теңшеңіз, соңынан вентті бұрап Бекітіңіз.

6. Тозаң қақпағын теңшеу (8 суретті қараңыз)

Құралдың тіреушінде бір тозаң қақпағы бар. Қажетыңызге қарай вентті босатып тозаң қақпағының бұрышын теңшесеңіз болады, бұл арқылы от ұшқындарының шашырауынан сақтануға болады.

1. Тозаң қақпағы 2. Теңшеу бұрандасы

7. Ұзын формадағы дайындаманы кесу көрсеткіш суреті (9 суретті қараңыз)

Формасы ұзын келген дайындамаларды кесу кезінде оның екі ұшын жанбайтын материал төсеніштермен толтыру керек, әрі дайындама мен қондырғының тегіс бір бетте тұруы керек. 1. Тірек

5. Жөндеу, күтімдеу және сатудан кейінгі қызымет көрсету байланыс ақпараты

Жөндеу және күтімдеу

Тегістеуіш доңғалақты ауыстыру кезінде оңай тозатын дөңгелек жұмыс тиімділігіне әсер етеді.Жаңа өнімді уақытында ауыстырыңыз. Пайдаланар алдында тегістеуіш дөңгелегі жарықшақтар мен деформациялардың бар-жоғын тексеріңіз, егер солай болса, оны уақытында ауыстырыңыз.

Бөлшектерді (запчастарды) қосып тұратын бұрандаларды тексеру

Ар бөлікте бекітілген бұрандалардың босап қалмағанын үнемі тексеріп отырыңыз, егер босап қалса, оны уақытында қатайтып отырыңыз, бұрандалар босаса қатерлі жағдай оңай туылады.

Жұмыстан кейін сақтау

Құралды пайдаланып болғаннан кейін, қуат сымын рөзеткәдән суырып, балалардың қолы жетпейтін жерде сақтаңыз.

Шанды тазарт

Құралды әр рет пайдаланып болғаннан кейін, электрқозғалтқыштың бұзылмауы үшін құралдың әрқайссы бөлектеріндегі шаң тозаңдарды сұртып тазалау керек.

Көміртекті щетканы үнемі тексеріп, ауыстырып отырыңыз.

Машинаны біраз уақыт пайдаланғаннан кейін көміртегі щеткасы қысқарады.Көміртек щеткасының ұзындығы шамамен 5-6 мм болғанда, машинаны зақымдамау үшін көміртекті щетканы ауыстырыңыз.

Көміртек щеткаларын ауыстыру қадамдары:

1) 1) мерзімдер бойынша көміртек щеткасын шешіп тозғанда алмастырып отырыңыз, көміртекті щеткәні таза және щетка ұстағышында еркін сырғи алатын болсын. Көміртекті екі щеткәні бір уақытта ауыстыру керек, өндіруші завод ұсынған бөлшекті қолданыңыз.

2) Көміртек щеткасының қақпағын алып тастау үшін тегіс пышақты бұрағышты қолданыңыз, тозған көміртекті щетканы алыңыз, жаңа көміртегі щеткасын салыңыз, содан кейін көміртегі щеткасының қақпағын бекітіңіз.

1. Көміртек щеткасының қақпағы

I. Instrucciones generales de seguridad



¡ Advertencia! Lea todas las advertencias y todas las instrucciones. La descarga eléctrica, el incendio y/o lesiones graves pueden ser causados si no se observan después de las advertencias e instrucciones. Guarde todas las advertencias y libros de instrucciones como referencia. En todas las advertencias enumeradas a continuación, el término "herramienta eléctrica" se refiere a la herramienta eléctrica impulsada por la fuente de alimentación (cableada) o la batería (inalámbrica).

Atención: Debemos prestar atención a los asuntos básicos de seguridad que se enumeran a continuación para reducir accidentes como incendios, descargas eléctricas o lesiones al usar herramientas eléctricas.

a). Seguridad del sitio de trabajo

1. Mantenga el sitio de trabajo limpio y brillante. El sitio caótico y oscuro puede causar un accidente.
2. No utilice herramientas eléctricas en atmósferas explosivas, como las de cualquier líquido inflamable, gas o polvo. La chispa generada por las herramientas eléctricas puede encender el polvo o el gas.
3. Opere las herramientas eléctricas después de que todos los niños y transeúntes se vayan. La falta de atención puede hacer que el operador pierda el control sobre la herramienta.

b). Seguridad eléctrica

1. Los enchufes de las herramientas eléctricas coincidirán con los enchufes. Los enchufes no se modificarán de ninguna manera. No se utilizará ningún enchufe de cambio para que las herramientas eléctricas se conecten a tierra. Los enchufes no modificados y las tomas a juego pueden reducir el riesgo de choque.
2. Evite la exposición humana a la superficie conectada a tierra, tales como la tubería, la aleta de enfriamiento o el refrigerador. La puesta a tierra del cuerpo puede aumentar el riesgo de choque.
3. No exponga las herramientas eléctricas en el ambiente húmedo o de lluvia. La entrada de agua en las herramientas eléctricas puede aumentar el riesgo de choque.
4. No haga mal uso de los cables. Los cables no se utilizarán para transportar o tirar de herramientas eléctricas o enchufes. Mantenga los cables alejados de la fuente de calor, el aceite, el borde afilado o las partes móviles. El cable flexible dañado o enrollante puede aumentar el riesgo de choque.
5. Utilice alambre flexible externo adecuado para uso al aire libre cuando utilice

herramientas eléctricas al aire libre. El cable flexible adecuado para uso en exteriores puede reducir el riesgo de choque.

6. El protector de acción de corriente residual se utilizará si la herramienta eléctrica se encuentra inevitablemente en ambiente húmedo. El uso de RCD puede reducir la descarga eléctrica.

c). Seguridad personal

1. El operador no debe utilizar una herramienta eléctrica cuando el operador se sienta cansado o se encuentre con drogas, alcohol o respuesta terapéutica. La negligencia instantánea durante el funcionamiento de la herramienta eléctrica provocará lesiones personales graves.
2. Utilice equipo de protección personal. Use siempre el protector ocular. El dispositivo de seguridad, tales como la máscara antipolvo, el zapato de seguridad antideslizante, el casco de seguridad, la protección para los oídos y otros dispositivos utilizados en condiciones adecuadas, puede reducir las lesiones personales.
3. Evite la activación accidental. Asegúrese de que el interruptor esté en la posición OFF cuando se conecte a la fuente de alimentación y/o al soporte de la batería, o al recoger o transportar la herramienta. La inserción del enchufe cuando los dedos están
4. Antes de la conexión de las herramientas eléctricas, quite todas las llaves o llaves reguladoras. Las llaves o llaves que se dejan en las partes giratorias de las herramientas eléctricas pueden causar lesiones personales.
5. No estire las manos demasiado tiempo. Siempre preste atención a la base y al equilibrio corporal para controlar bien las herramientas eléctricas en caso de emergencia.
6. Vístete apropiadamente. No use ropa suelta ni joyas. Mantenga la ropa, los guantes y los pelos alejados de las partes móviles, y no use guantes hechos de materiales fáciles de enrollar (como algodón, lana, hilo, etc.). La ropa suelta, las joyas o el pelo largo pueden enrollarse fácilmente en partes móviles, lo que causará lesiones.
7. Asegúrese de que cualquier dispositivo proporcionado para la conexión al equipo de eliminación de virutas o de recolección de polvo esté bien conectado y se utilice adecuadamente. El uso de dicho dispositivo puede reducir el peligro causado por la viruta o el polvo.

d). Uso y consideraciones de las herramientas eléctricas

1. No haga un uso indebido de las herramientas eléctricas y utilice las herramientas eléctricas adecuadas en función de la aplicación. La selección de herramientas eléctricas adecuadamente diseñadas puede hacer que trabaje de manera más eficaz y segura.
2. No se utilizarán herramientas eléctricas cuya fuente eléctrica no pueda encenderse o apagarse

con el interruptor. Las herramientas eléctricas que no están disponibles para ser controladas con el interruptor son peligrosas y deben ser reparadas.

3. Antes de cualquier ajuste, reemplazo de accesorios o almacenamiento de la herramienta eléctrica, extraiga el enchufe de la fuente de alimentación y/o separe el soporte de la batería de la herramienta. Estas medidas de protección pueden reducir el peligro causado por la activación accidental de las herramientas.

4. Almacene las herramientas eléctricas inactivas fuera del alcance de los niños y evite que las personas no estén familiarizadas con las herramientas eléctricas o que no comprendan dichas instrucciones de las herramientas eléctricas operativas. Será peligroso que las herramientas eléctricas sean retenidas por usuarios que no han recibido la capacitación

5. Mantenga las herramientas eléctricas. Compruebe si las piezas móviles se ajustan en su lugar o se atascan, y compruebe la rotura de piezas y otros factores que afectan al funcionamiento de las herramientas eléctricas. Repare las herramientas eléctricas antes de usarlas si hay algún daño. Muchos accidentes son causados por herramientas eléctricas mal mantenidas.


6. Mantenga las fresas afiladas y limpias. Las fresas bien mantenidas con filos de corte afilados no son fáciles de atascar, pero fáciles de controlar.

7. Utilice accesorios de herramientas eléctricas y brocas de herramientas después de tener en cuenta las condiciones de funcionamiento y el funcionamiento en curso de acuerdo con la forma requerida por la instrucción de funcionamiento y el tipo especial de la herramienta eléctrica destinada a ser utilizada. El uso de herramientas eléctricas para operaciones que no coincidan con sus aplicaciones puede causar peligro.

e). Mantenimiento

Entre su herramienta eléctrica al personal de mantenimiento profesional para realizar el mantenimiento con las mismas piezas de repuesto. De esta manera, puede la seguridad de la eléctrica eléctrica a mantener.

II. Sierra de corte de instrucciones especiales de seguridad

	Se requieren las siguientes precauciones de seguridad para el uso de martillo eléctrico. De lo contrario, se pueden causar daños a la herramienta o al cuerpo.
--	--

Los requisitos particulares para la máquina de corte

1) Cuando la operación de corte está en proceso, espere a que el motor entre en funcionamiento normal, entonces el trabajo continuará; si el motor funciona antes de entrar en el funcionamiento normal, la superficie de corte de la pieza de trabajo será desigual.

2) La carga excesiva no se aplicará a los productos; las vías de funcionamiento incorrectas

darán lugar a la rotura de la rueda de rectificación, y el motor se dañará.

3) Deberá confirmarse el rebote superficial de la rueda de rectificación; si el rebote de la nueva rueda de rectificación es demasiado grande, entonces la rueda de rectificación se romperá. Si el escurrimiento superficial de la rueda de rectificación es demasiado grande, por favor reemplácela por una nueva.

4) El protector de ojos debe ser usado;

5) No se utilizará la rueda de rectificación rota;

6) No se utilizará la materia próxima sin escudo en la posición correcta;

7) La rueda de rectificación recomendada por la fabricación sólo se utilizará, y la velocidad indicada será igual o superior a la velocidad indicada de las herramientas; se adoptará la rueda de rectificación con una velocidad lineal no inferior a 4800m/min.

8) Las instrucciones de funcionamiento proporcionadas por la fabricación de la rueda de rectificación se leerán cuidadosamente.

9) No afecte a la rueda de rectificación. Si la rueda de rectificación en rotación se ve afectada, se romperá la rueda de rectificación y se causará una lesión grave al cuerpo humano.

10) No utilice la superficie de la rueda de rectificación para moler el trabajo. Si la superficie de la rueda de rectificación se utiliza para moler la obra, entonces la rueda de rectificación se romperá, y la lesión grave se causará al cuerpo humano.


11) No se permitirá que el personal despreocupado se acerque. Durante la operación, la chispa producida causará lesiones al cuerpo humano.

12) Cuando las piezas (clips, juntas, tornillos, etc.) tengan roturas, deje de usarlas. Cuando no esté fija y estable durante el uso, se romperá la rueda de rectificación y se causará la lesión en el cuerpo humano.

13) La dirección de la chispa producida en el corte será contra el lugar que no sea peligroso. Si existen asuntos inflamables alrededor de la chispa, los accidentes de seguridad pueden ser causados.

14) La operación se ejecutará después de que la pieza de trabajo se suje al chasis de trabajo de forma fiable. No se estallará ninguna pieza de trabajo fija sujeta para causar la lesión al cuerpo humano.

Uso de señales

	Atención: Por favor asegúrese de identificar el modelo de producto en las placas de identificación, ya que la misma máquina puede tener diferentes parámetros. El rango de voltaje del modelo es de 220 a 230 V, 50/60 Hz, lo que es inaplicable a áreas de baja tensión y países con regulaciones especiales sobre la utilización de
---	---

energía.



Por favor use gafas protectoras.



Por favor, ponga en aislante zapatos de goma.



Por favor use orejeras.



Por favor use guantes aislantes.



Por favor observe la línea eléctrica



Por favor proteja sus dedos.



La eliminación de basura se sustituye por el reciclaje de materiales. En respuesta a la protección del medio ambiente, las máquinas, accesorios y paquetes, una vez dañados, se clasificarán en detalle y se reciclarán por completo. La instrucción se imprime en papel reciclado sin cloruro, y la porción de plástico proporciona información detallada sobre sus componentes.

III. Introducción/descripción del producto y parámetros técnicos

Parámetros técnicos

Modelo de producto	CT15205N
Potencia nominal (W)	2200
Potencia de salida (W)	1400
Valor actual de la presión (220V)	10.3A
Velocidad sin carga (r/min)	3800
Clase de seguridad	III/□
Peso neto de la herramienta (kg)	14.5
Angulo de ajuste de la abrazadera (°)	±45
La apertura máxima de la abrazadera (mm)	200
Tamaño de la rueda de molienda (diámetro externo x espesor x diámetro interno mm)	Φ355*3*Φ25.4
○Pieza de trabajo de sección circular (longitud x altura, 0°/45°mm)	110/90
□ Pieza de trabajo de sección cuadrada (longitud x altura, 0°/45°mm)	95×95/90×90

□ Pieza de trabajo de sección rectangular

70×180/60×110

(longitud x altura, 0°/45°mm)

△ Pieza de trabajo de forma angular (longitud x altura, 0° /45° mm)

95×95/90×90

Descripción del producto

Partes que se muestran en la ilustración:

1. Manija
 2. Perilla de autobloqueo
 3. Interruptor
 4. Carcasa
 5. Cubierta del cepillo de carbono
 6. Cable
 7. Soporte
 8. Escudo fijo
 9. Escudo móvil
 10. Botón de bloqueo del husillo
 11. Rueda de molienda
 12. Componente de sujeción de la pieza de trabajo
 13. Base
 14. Llave
- IV. Instrucciones de funcionamiento y funcionamiento e instrucciones de instalación de accesorios



Atención: antes del uso, lea atentamente las instrucciones. Cuando se van a mantener la herramienta eléctrica y los accesorios, el enchufe del cable debe extraerse de la toma.

Funcionamiento del límite de la pieza de mano (véase la Fig. 1)

Cuando las herramientas necesitan ser fijadas, entonces la manija de funcionamiento se presione hacia abajo, y el botón de límite de la pieza de mano necesita ser insertado en el agujero de límite, entonces la herramienta se puede fijar.

Cuando la herramienta necesita ser puesta en uso, el botón de límite de la pieza de mano necesita ser sacado hacia fuera, y después de que la pieza de mano de la herramienta se pone y se restablece, entonces se puede poner en uso.

1. Botón de límite de la pieza de mano

2. Funcionamiento del interruptor (véase la Fig. 2)

Para iniciar esta herramienta, sólo tiene que levantar el gatillo del interruptor. Cuando el gatillo está aflojado, entonces la herramienta dejará de girar, si desea hacer que la máquina gire continuamente, sólo tiene que presionar el botón de autobloqueo después de que se levante el gatillo del interruptor, y si levanta el gatillo de nuevo, a continuación, aflojarlo, el continuo rotación se detendrá.

1. Botón de interruptor de autobloqueo
2. Interruptor de disparo

3. Métodos de extracción e instalación de la rueda de rectificación (véase la Fig. 3)

1). Retire la rueda de rectificación. Utilice la mano izquierda para empujar el pasador de tope 1 al orificio del engranaje 2, y luego utilice la llave para aflojar el perno 5, luego se saque la rueda de rectificación 7.

2). Instale la rueda de rectificación. Después del polvo en la férula de la rueda de rectificación 3, espaciador 4 y perno 5, se instalará la rueda de rectificación 7. A

continuación, se instalará en orden la férula de la rueda de rectificación 3, el espaciador 4 y el perno 5. Como último, utilice la mano para agarrar la rueda de rectificación 7 firmemente, y utilice la llave 6 para bloquear el perno 5. Una vez finalizada la instalación, se confirmará el pin de parada 1 si vuelve a la posición inicial.

4. Métodos de fijación de la pieza de trabajo (véase la Fig. 4)

Afloje la pieza de trabajo: gire el vástago de la mano del tornillo de plomo en sentido antihorario para soltar la rosca, luego empuje la tuerca de sujeción a la dirección del vástago de la mano del tornillo de plomo, en este momento, tire del tornillo de plomo hacia atrás rápidamente y retire la pieza de trabajo. Placa de prensa de la pieza de trabajo

Sujete la pieza de trabajo: empuje el tornillo de plomo a la pieza de trabajo sujete la placa de prensado de la pieza de trabajo, luego empuje la tuerca de sujeción para entrar en contacto con la rosca del tornillo de plomo, y luego gire el vástago de la mano del tornillo de plomo en el sentido de las agujas del reloj, a continuación, la pieza de trabajo se fijará .

Atención: Si la pieza de trabajo necesita mayor espacio o distancia, ajuste el espacio o la distancia como los siguientes procedimientos, luego refiera el estado de ajuste frontal y posterior a la Fig. 5. Retire dos pernos que fijan la placa guía y, a continuación, mueva la placa guía como Fig. 6. A continuación, instale los pernos para la fijación.

1. Vástago de mano de tornillo de plomo Tuerca de sujeción

5. Métodos de configuración del ángulo de corte (véase la Fig. 7)

Si es necesario cambiar el ángulo de corte, suelte dos pernos que están fijando la placa guía y, a continuación, gire la placa guía al ángulo requerido, por último, los pernos se apretarán. 1. Aumento de distancia 2. Perno

6. Método de ajuste de la cubierta de bloqueo de migas (ver Fig. 8)

Se instala una cubierta de bloqueo de migas en el soporte. El "ángulo de la cubierta de bloqueo de la migase se ajustar" soltando el tornillo de acuerdo con las necesidades de funcionamiento, para evitar la salpicadura de la chispa.

1. Cubierta de bloqueo de migas 2. Tornillo de ajuste

7. Esquema de corte de la pieza cuadrada (véase la Fig. 9)

Al cortar piezas de trabajo largas, estere en ambos lados con bloque de cojín de material no inflamable, y mantenga las piezas de trabajo y la base horizontales.

1. Bloque de cojín 2. Perno

IV. Información de mantenimiento, mantenimiento y contacto de servicios post-venta

El período de sustitución de la rueda de rectificación. Utilice la rueda de rectificación desgastada afectará a la eficiencia de trabajo, por favor reemplácela por la nueva. Antes de su uso, inspeccione si la rueda de rectificación tiene grietas y transformación, si las hay, por favor reemplácela a tiempo. La rueda de rectificación desgastada influirá en la eficiencia del trabajo y por favor reemplácela por una nueva rápidamente.

Inspeccione el tornillo de cada pieza. Se inspeccionarán los pernos que conecten cada pieza. El tornillo de cada posición se inspeccionará regularmente para comprobar si cualquier exésis flojona, si la hubiera, el tornillo suelto debe atornillarse a tiempo; si se utiliza el tornillo suelto, el peligro se debe causar fácilmente.

Almacenamiento después de la operación. Una vez finalizada la operación, se extraerá el enchufe de la fuente de alimentación y se almacenará la herramienta en la posición a la que no se pueda alcanzar fácilmente.

Desempolvado. Cada vez después del uso, el polvo en cada parte de la máquina se retirará para evitar que la máquina dañe debido a la entrada de polvo en el motor.

El cepillo de carbón debe ser revisado y reemplazado regularmente. Después del período de uso de la máquina, el cepillo de carbón se acortará, y cuando el cepillo de carbón es de sólo 5 a 6 mm de largo, reemplace el cepillo de carbono para evitar que las máquinas se dañen.

1. Cubierta de carbón de cepillo


Procedimientos de reemplazo del cepillo de carbono:

1) El cepillo de carbón se retirará e inspeccionará periódicamente y se sustituirá cuando alcance el límite de desgaste. Por favor, mantenga el cepillo de carbono limpio y se deslizará libremente en el alcance del soporte del cepillo. Se sustituirán dos cepillos de carbón al mismo tiempo y utilice los accesorios de fábrica original.

2) La cubierta del cepillo de carbón se retirará con un destornillador de cabeza plana, se colocará un nuevo cepillo de carbón y, a continuación, se insertará el nuevo cepillo de carbón y se apretará la cubierta del cepillo de carbón.

1. مقبض 2. زر القفل الذاتي 3. مفتاح 4. مرفق 5. غطاء فرشاة الكربون
6. كابل 7. داعم 8. درع ثابت 9. درع النقل 10. زر قفل المغزل 11. عجلة الطحن
12. تحامل عنصر قطعة العمل 13. قاعدة 14. وجع

الرابع. إرشادات الوظيفة والتشغيل & إرشادات تثبيت الملحقات

	انتباه: قبل الاستخدام، يرجى قراءة التعليمات بعناية. عندما يتم صيانة الأداة والتجهيزات الكهربائية، يجب سحب قابس الكبل من المقبض.
---	---

- ثم قم بإزالة حالة الضبط الأمامي والخلفي إلى الشكل 5. 1. برغي
- قم بفك المسمارين اللذين يثبتان لوحة التوجيه، ثم حرك لوحة التوجيه بالشكل 6. ثم قم بتثبيت البراغي للتثبيت.
5. طرق إعداد زاوية القطع (انظر الشكل 7) 1. زيادة المسافة 2. برغي
- إذا كانت هناك حاجة لتغيير زاوية القطع، فالرجاء فك البراغي التي تثبت لوحة التوجيه، ثم قم بتدوير لوحة التوجيه بالزاوية المطلوبة، وأخيرًا يجب تشديد البراغي. 1. برغي
6. طريقة ضبط غطاء الفتات لحجب الفتات (انظر الشكل 8)
- يتم تثبيت غطاء حطر الفتات على الدعم. يجب ضبط زاوية غطاء فتات الفتيل عن طريق فقد المسمار وفقًا لاحتياجات التشغيل، لمنع رش الشرارة. 1. غطاء منع فتات 2. لولب المسمار
7. قطع التخطيطي لقطع العمل المربع (انظر الشكل 9)
- عند قطع قطعات العمل الطويلة، قم بساط على كلا الجانبين مع كتلة وسادة من المواد غير القابلة للاشتعال، واحتفظ بقطاعات العمل وقاعدة أفقية. 1. غطاء فرشاة الكربون 2. كتلة وسادة

1. تشغيل حد المقبض (انظر الشكل 1) زر الحد من مقبض
- عندما تحتاج الأداة إلى الإصلاح، يجب الضغط على مقبض التشغيل لأسفل، ويجب إدخال زر حد المقبض في فتحة الحد، ثم يمكن تثبيت الأداة.
- عندما تحتاج الأداة إلى الاستخدام، يجب سحب زر حد المقبض للخارج، وبعد وضع مقبض الأداة وإعادة ضبطه، يمكن وضعه قيد الاستخدام.
2. تشغيل المفتاح (انظر الشكل 2) زر التبديل للقفل الذاتي زناد التبديل
- لبدء هذه الأداة، تحتاج فقط إلى رفع مشغل التبديل. عندما يتم تخفيف المشغل، يجب أن تتوقف الأداة عن الدوران، وإذا كنت ترغب في جعل الجهاز يدور باستمرار، فأنت بحاجة فقط إلى الضغط على زر القفل الذاتي بعد رفع مشغل التبديل، وإذا قمت برفع المشغل مرة أخرى، ثم ذلك، يجب أن تتوقف التناوب المستمر.
3. طرق التثبيت والتركييب لعجلة الطحن (انظر الشكل 3)
- (1). انزع عجلة الطحن. استخدم اليد اليسرى لدفع دبوس الإيقاف 1 إلى فتحة الترس 2، ثم استخدم مفتاح الربط لتخفيف البراغي 5، ثم يتم إخراج عجلة الطحن 7.
- (2). تثبيت عجلة الطحن. بعد الغبار في جييرة عجلة الطحن 3، فاصل 4 والمسمار 5، ثم يتم تثبيت عجلة الطحن 7. بعد ذلك، يجب تثبيت جُرُش عجلة الطحن 3 والفواصل 4 والبراغي 5 حسب الترتيب. أخيرًا، استخدم اليد لتمسك عجلة الطحن 7 بشدة، واستخدم مفتاح الربط 6 لقفل الترباس 5. بعد الانتهاء من التثبيت، يجب تأكيد دبوس الإيقاف 1 ما إذا كان سيعود إلى الوضع الأولي.
4. طرق تثبيت قطعة العمل (انظر الشكل 4)
- قم بفك قطعة العمل: قم بتدوير ساق اليد اللولبية الرصاصية في عكس اتجاه عقارب الساعة لفقد الخيط، ثم ادفع صامولة التثبيت باتجاه اتجاه ساق اليد اللولبية، في هذا الوقت، اسحب المسمار الرئيسي للخلف سريعًا وأزل قطعة العمل 1. عرقوب اليد من الرصاص المسمار 2. زر المشبك 3. لوحة الضغط من قطعة العمل
- ثبت قطعة العمل: ادفع المسمار اللولبي إلى قطعة العمل المثبتة في لوحة الضغط الخاصة بقطعة العمل، ثم ادفع صامولة التثبيت حتى تلامس بمسمار اللولب الرصاصي، ثم قم بتدوير عرقوب يد المسمار اللولبي في اتجاه عقارب الساعة، ثم يجب أن تكون ثابتة قطعة العمل.
- انتباه: إذا كانت قطعة العمل تحتاج إلى مساحة أو مسافة أكبر، فيرجى ضبط المساحة أو المسافة على النحو التالي،

وبهذه الطريقة، يمكن أن تضمن سلامة أداة الطاقة ليتم الحفاظ عليها.

الثاني. تعليمات السلامة الخاصة قطع المنشار



يلزم اتباع احتياطات السلامة التالية لاستخدام المطرقة الكهربائية. خلاف ذلك، قد يكون سبب الأضرار التي لحقت الأداة أو جسمك.

متطلبات خاصة لألة القطع

- 1) عندما تكون عملية القطع قيد التشغيل، يرجى الانتظار حتى يدخل المحرك في التشغيل العادي، ثم يستمر العمل؛ إذا تم تشغيل المحرك قبل الدخول في التشغيل العادي، يجب أن يكون السطح المقطوع لقطعة العمل غير مستوي.
- 2) لا يجوز تحميل الحمل الزائد على المنتجات؛ يجب أن تؤدي طرق التشغيل غير الصحيحة إلى كسر عجلة الطحن، ويجب تلف المحرك.
- 3) يجب تأكيد الارتداد السطحي لعجلة الطحن؛ إذا كان حجم عجلة الطحن الجديدة أكبر من الحجم، فيجب كسر عجلة الطحن.

4) يجب ارتداء واقى العينين.

5) يجب عدم استخدام عجلة الطحن المكسورة؛

6) لا يجوز استخدام المادة القريبة بدون درع في الموضع الصحيح؛

7) يجب استخدام عجلة الطحن الموصى بها من قبل الشركة المصنعة فقط، ويجب أن تكون السرعة المشار إليها مساوية أو تتجاوز السرعة المحددة للأدوات؛ يجب اعتماد عجلة الطحن ذات السرعة الخطية التي لا تقل عن 4800m / دقيقة.

8) يجب قراءة إرشادات التشغيل المقدمة من قبل صناعة طحن عجلة بعناية.

9) لا تؤثر على طحن عجلة. إذا تأثرت عجلة الطحن تحت الدوران، فيجب كسر عجلة الطحن، ويجب أن تحدث إصابة خطيرة لجسم الإنسان.

10) لا تستخدم سطح عجلة الطحن لطحن العمل. إذا تم استخدام سطح عجلة الطحن لطحن العمل، فيجب كسر عجلة الطحن، ويجب أن تحدث إصابة خطيرة لجسم الإنسان.

11) لا يجوز السماح للأفراد غير المهتمين بالاقتراب. أثناء العملية، تؤدي الحرارة الناتجة إلى إصابة جسم الإنسان.

12) عندما تكون الأجزاء (مقاطع، جوانات، مسامير، إلخ) بها أي كسر، يرجى التوقف عن استخدامها. في حالة عدم ثباتها وثباتها أثناء الاستخدام، يجب كسر عجلة الطحن، كما يجب أن تحدث إصابة لجسم الإنسان.

13) يجب توجيه اتجاه الحرارة الناتجة في القطع إلى المكان غير الخطير. في حالة وجود أي أمور قابلة للاشتعال حول الشرارة، فقد تحدث حوادث السلامة.

14) يجب تنفيذ العملية بعد تثبيت قطعة العمل بشكل موثوق بهيكل العمل. يجب عدم انفجار أي قطعة تثبيت مثبتة لإحداث إصابة في جسم الإنسان.

استخدام علامات



انتباه: يرجى التأكد من تحديد طراز المنتج على لوحات تحمل أسماء الجهاز نفسه يمكن أن يكون لها معايير مختلفة. نطاق الجهد من النموذج هو 220 ~ 230V، 50/60 Hz، وهو غير قابل للتطبيق في المناطق ذات الجهد المنخفض والبلدان التي لديها لوائح خاصة بشأن استخدام الطاقة.

Please put on protective glasses.	Please put on rubber soled shoes.	Please put on earmuff.	Please put on insulating gloves.	please notice the power line	please protect your fingers
يرجى ارتداء نظارات واقية.	يرجى وضع على الأحذية العازلة سوليد المطاط.	يرجى ارتداء غطاء للأذنين.	يرجى ارتداء القفازات العازلة.	يرجى ملاحظة سلك الكهرباء	يرجى حماية أصابعك

	إعادة تدوير المواد يحل التخلص من القمامة. استجابةً لحماية البيئة، يتم تصنيف الآلات والإكسسوارات والحزم، بمجرد تلفها، في التفاصيل وإعادة تدويرها بالكامل. تتم طباعة التعليمات على الورق المعاد تدويره الخالي من الكلوريد، ويقدم الجزء البلاستيكي معلومات مفصلة عن مكوناته.
--	---

الثالث. مقدمة المنتج / الوصف والمعايير الفنية
المعايير الفنية

CT15205N	موديل المنتج
2200	الطاقة المقدرة (W)
1400	طاقة الإخراج (W)
10.3A	قيمة التيار للضغط (220V)
3800	سرعة عدم التحميل (r/min)
II/II	درجة السلامة
14.5	الوزن الصافي للأداة (kg)
±45	زاوية ضبط المشبك (°)
200	أقصى افتتاح المشبك (mm)
Φ355*3*Φ25.4	حجم طحن عجلة (القطر الخارجي × سمك × القطر الداخلي (mm))
110/90	○ مقطع عرضي دائري لقطعة العمل (الطول × الارتفاع، 0 45/° mm)
95×95/90×90	□ مقطع عرضي مربع لقطعة العمل (الطول × الارتفاع، 0 45/° mm)
70×180/60×110	□ مقطع عرضي مستطيل لقطعة العمل (الطول × الارتفاع، 0 45/° mm)
95×95/90×90	▲ زاوية شكل قطعة العمل (الطول × الارتفاع، 0 45/° mm)



تحذير! قراءة جميع التحذيرات وجميع التعليمات. قد تحدث صدمة كهربائية أو حريق و/أو إصابة خطيرة في حالة عدم مراعاة التحذيرات والتعليمات التالية. الحفاظ على جميع التحذيرات وكتب التعليمات للمرجعية. في جميع التحذيرات المدرجة أدناه، يشير مصطلح "أداة الطاقة" إلى أداة الطاقة التي يقودها مصدر التيار الكهربائي (سلكي) أو البطارية (لاسلكية).

ملاحظة: يجب الانتباه إلى مسائل السلامة الأساسية المدرجة أدناه لتقليل الحوادث مثل الحرائق أو الصدمات الكهربائية أو الإصابة عند استخدام أدوات الطاقة.

(a). سلامة موقع العمل

1. الحفاظ على موقع العمل نظيفة ومشرقة. موقع الفوضى والظلام قد يسبب حادث.
2. لا تقم بتشغيل أدوات الطاقة في الأجواء المتفجرة، مثل تلك السائلة القابلة للاشتعال أو الغاز أو الغبار. الشرارة الناتجة عن أدوات الطاقة قد تشعل الغبار أو الغاز.
3. تشغيل أدوات السلطة بعد مغادرة جميع الأطفال والمارة. عدم الانتباه قد يجعل المشغل يفقد السيطرة على الأداة.

(b). السلامة الكهربائية

1. يجب أن تتوافق سدادات أدوات الطاقة مع المقابس. لا يجوز تعديل المقابس بأي طريقة. لن يتم استخدام أي قابس تحويل لأدوات الطاقة التي سيتم تأريضها. قد لا تعمل المقابس غير المعدلة والمطابقة مع المقابس على تقليل خطر الصدمة.
2. تجنب التعرض البشري لسطح الأرض، مثل خط الأنابيب، زعنة التبريد أو الثلاجة. تأريض الجسم قد يزيد من خطر الصدمة.
3. لا تعرض أدوات الطاقة في المطر أو البيئة الرطبة. قد يؤدي دخول الماء إلى أدوات الطاقة إلى زيادة خطر الصدمة.
4. لا تسيء استخدام الأسلاك. لا يجوز استخدام الأسلاك في حمل أو سحب أدوات أو قوابس كهربائية. حافظ على الأسلاك بعيداً عن مصدر الحرارة أو الزيت أو الحافة الحادة أو الأجزاء المتحركة. سلك مرن تالف أو متعرج قد يزيد من خطر الصدمة.
5. استخدام سلك مرن خارجي مناسب للاستخدام في الهواء الطلق عند استخدام أدوات السلطة في الهواء الطلق. سلك مرن مناسب للاستخدام في الهواء الطلق قد يقلل من خطر الصدمة.
6. يجب استخدام وافي عمل التيار المتبقي إذا كانت الأداة الكهربائية في بيئة رطبة لا محالة. يمكن استخدام RCD لتقليل الصدمة الكهربائية.

(c). السلامة الشخصية

1. لا يجوز للمشغل تشغيل أداة كهربائية عندما يشعر المشغل بالتعب أو يواجه استجابة من المخدرات أو الكحول أو الاستجابة العلاجية. الإهمال الفوري أثناء تشغيل الأداة الكهربائية سيؤدي إلى إصابة شخصية خطيرة.
2. استخدام معدات الحماية الشخصية. دائماً ارتداء حامي العينين. قد يقلل جهاز الأمان، مثل قناع الغبار وحذاء الأمان القابل للانزلاق وخوذة السلامة وحماية الأذن وغيرها من الأجهزة المستخدمة في الظروف المناسبة، من الإصابة

الشخصية.

3. منع التنشيط العرضي. تأكد من التبديل في وضع إيقاف التشغيل عند الاتصال بمصدر الطاقة و / أو حامل البطارية، أو التقاط الأداة أو حملها. قد يتسبب إدخال المكونات عند وضع الأصابع على المفتاح قيد التشغيل أو تشغيل المفتاح في وضع خطر.

4. قبل توصيل أدوات الطاقة، خلع جميع مفاتيح التنظيم أو الشدات. قد تسبب الشدات أو المفاتيح الموجودة على أجزاء دوارة من أدوات الطاقة إصابة شخصية.

5. لا تمد اليدين لفترة طويلة. انتبه دائماً إلى توازن القدمين والجسم للتحكم في أدوات الطاقة جيداً في حالات الطوارئ

6. اللباس المناسب. لا ترتدي ملابس فضفاضة أو ارتداء المجوهرات. احتفظ بالملابس والقفازات والشعر بعيداً عن الأجزاء المتحركة، ولا ترتدي قفازات مصنوعة من مواد سهلة الريح (مثل القطن والصوف والخيط، إلخ). قد تتعرض الملابس فضفاضة أو المجوهرات أو الشعر الطويل للجرح بسهولة في الأجزاء المتحركة، مما يتسبب في حدوث إصابة.

7. تأكد من أن أي جهاز مزود للاتصال بإزالة الرقاقة أو معدات جمع الغبار متصل جيداً ويستخدم بشكل مناسب. استخدام هذا الجهاز قد يقلل من المخاطر الناجمة عن رقاقة أو الغبار.

(d). استخدام واعتبارات أدوات السلطة

1. لا تسيء استخدام أدوات الطاقة، واستخدم أدوات الطاقة المناسبة بناءً على التطبيق. قد تجعلك اختيار أدوات الطاقة المصممة بشكل مناسب تعمل بفعالية وأمان أكبر.
2. يجب عدم استخدام أدوات الطاقة التي لا يمكن تشغيل مصدر الطاقة الخاص بها أو إيقاف تشغيلها باستخدام المفتاح. تعتبر أدوات الطاقة غير المتوفرة للتحكم في المفتاح خطرة ويجب إصلاحها.
3. قبل أي تعديل أو استبدال الملحقات أو تخزين أداة الطاقة، اسحب القابس من مصدر الطاقة و / أو افصل حامل البطارية عن الأداة. هذه التدابير الوقائية قد تقلل من المخاطر الناجمة عن التنشيط العرضي للأدوات.
4. قم بتخزين أدوات الطاقة الخاملة بعيداً عن متناول الأطفال، ومنع الأشخاص الذين ليسوا على دراية بأدوات الطاقة أو لا يفهمون هذه الإرشادات من أدوات تشغيل الطاقة. سيكون من الخطر بالنسبة لأدوات الطاقة أن يحتفظ بها المستخدمون الذين لم يتلقوا التدريب.
5. الحفاظ على أدوات السلطة. تحقق لمعرفة ما إذا كانت الأجزاء المتحركة مضبوطة في مكانها أو عالقة، وتحقق من كسر الأجزاء والعوامل الأخرى التي تؤثر على تشغيل أدوات الطاقة. إصلاح أدوات السلطة قبل الاستخدام إذا كان هناك أي ضرر. العديد من الحوادث ناتجة عن سوء استخدام أدوات الطاقة.
6. الحفاظ على قواطع حادة ونظيفة. القواطع التي يتم صيانتها جيداً مع حواف القطع الحادة ليس من السهل أن تتعطل ولكن يسهل التحكم فيها.
7. استخدم ملحقات أدوات الطاقة وبتات الأدوات بعد الأخذ في الاعتبار ظروف التشغيل والتشغيل الجاري وفقاً للطريقة المطلوبة في تعليمات التشغيل والنوع الخاص لأداة الطاقة المعدة للاستخدام. قد يتسبب استخدام أدوات الطاقة في العمليات التي لا تتوافق مع تطبيقاتها في حدوث خطر.

(e). أعمال صيانة

قم بتوصيل أداة الطاقة الخاصة بك إلى موظفي الصيانة المحترفين لإجراء الصيانة باستخدام قطع الغيار نفسها.

نصب شوند. در آراز دست برای گرفتن محکم چرخ چرخ سنباده 7 استفاده کنید و از آچار 6 برای قفل کردن پیچ 5 استفاده کنید. پس از اینکه نصب و راه اندازی به پایان رسید، باید تایید شود که پین توقف 1 آیا به موقعیت اولیه اش باز می گردد.

4. روش ثابت کردن قطعه کار (نگاه کنید به شکل. 4)

شل کردن قطعه کار: میله دستگیره پیچ سرپی را در سمت خلاف عقربه های ساعت بچرخانید تا رزوه شل شود و سپس مهره قلابی را در جهت میله دستگیره پیچ سرپی فشار دهید، در این زمان پیچ سرپی را به سرعت به سمت عقب بکشید و قطعه کار را جدا کنید.

محکم کردن قطعه کار: برای محکم کردن قطعه کار، پیچ سرپی صفحه کار را فشار دهید، سپس پیچ و مهره قلاب را برای اتصال به رزوه مهره سرپی فشار دهید و سپس میله دستگیره پیچ سرپی را در جهت عقربه های ساعت بچرخانید، سپس قطعه کار ثابت خواهد شد.

توجه داشته باشید: اگر قطعه کار نیاز به فضای بزرگتر و یا فاصله بیشتر باشد پس لطفا فضا و یا فاصله را به روش های زیر تنظیم کنید، و سپس به شکل 5 و وضعیت تنظیم جلو و عقب مراجعه کنید. دو پیچ را که صفحه راهنما را تنظیم می کنند جدا کنید، سپس مطابق شکل. 6. صفحه راهنما را بردارید، سپس پیچ و مهره ها را برای ثابت شدن ببندید.

5. روش تنظیم زاویه برش (نگاه کنید به شکل. 7)

اگر زاویه برش نیاز به تغییر داشت، لطفا دو پیچ و مهره ای را که صفحه راهنما را محکم کرده اند را باز کنید و سپس صفحه راهنما را به اندازه زاویه مورد نیاز بچرخانید، در نهایت پیچ و مهره ها را سفت کنید.

6. روش تنظیم پوشش انسداد براده (نگاه کنید به شکل. 8)

پوشش انسداد براده روی محافظ نصب می شود، زاویه پوشش انسداد براده با آزاد کردن پیچ و مهره باید تنظیم شود تا نیازهای ما را برطرف کند، و از پرتاب شدن جرقه جلوگیری کند.

7. برش شماتیک قطعه کار مربعی شکل (نگاه کنید به شکل. 9)

هنگامی که قطعه کار را برش می دهید، در هر دو طرف آن حصیر با کوسن های غیر قابل اشتعال قرار دهید و قطعه کار و پایه را به حالت افقی نگهدارید.

5. سرویس و نگهداری و اطلاعات تماس از خدمات پس از فروش

زمان تعویض چرخ سنباده. استفاده از چرخ سنباده فرسوده بر بهره وری بهینه تاثیر خواهد داشت، لطفا آن را با چرخ جدید جایگزین کنید. قبل از استفاده لطفا بازرسی کنید که چرخ سنباده هیچ گونه ترک نداشته باشد و تغییری هم در آن به وجود نیامده باشد، اگر هر کدام از این موارد مشاهده شد لطفا به سرعت چرخ را تعویض کنید. چرخ سنباده فرسوده بهره وری را تحت تاثیر قرار خواهد لطفاً به سرعت آن را با یک چرخ جدید جایگزین کنید.

پیچ های هر بخش را بازرسی کنید. پیچ و مهره متصل کننده هر بخش باید بازرسی شوند. پیچ هر قسمت باید به

طور منظم بازرسی شود که ببینید آیا هیچ گونه لقی وجود دارد یا نه، اگر پیچ شلی وجود داشته باشد باید به موقع محکم شود؛ اگر از پیچ شل استفاده شود به راحتی خطرانی ایجاد خواهد شد.

بعد از عملیات دستگاه را جمع کنید. زمانی که عملیات کامل شد، سیم را از پریز برق بیرون بکشید و دستگاه باید در جای مخصوصی گذاشته شود که به راحتی قابل دسترس نباشد.

گرد و خاک زدایی. هر بار پس از استفاده از دستگاه، گرد و غبار در بخش های مختلف دستگاه باید برداشته شود تا از وارد شدن گرد و غبار به موتور و آسیب رسیدن به آن جلوگیری کنیم.

جاروبک کربنی نیاز به طور منظم نیاز به بررسی و جایگزینی دارد. پس از اینکه مدت استفاده از جاروبک کربنی به پایان رسید، جاروبک کوتاه می شود، زمانی که طول جاروبک کربنی تنها 5 تا 6 میلی متر است برای جلوگیری از آسیب دیدن دستگاه آن را تعویض کنید.

روش جایگزینی جاروبک کربنی

1) جاروبک کربنی باید به طور منظم بازرسی و تعویض شود و زمانی که از بین رفته تعویض شود. لطفا جاروبک کربنی را تمیز نگهدارید، جاروبک باید بتواند بطور آزادانه به هر سمتی حرکت کند. دو جاروبک کربنی باید بطور همان زمان تعویض شود و لطفاً از اتصالات اصلی کارخانه استفاده کنید.

2) پوشش جاروبک کربنی باید با یک آچار سرپهن جدا شود، سپس جاروبک کربنی جدید باید وارد شود و سپس جاروبک کربنی باید کاملاً محکم شود.


110/90	قطعه کار با سطح مقطع دایره (طول* ارتفاع، 0°/45°mm)
95×95/90×90	قطعه کار با سطح مقطع مربع (طول* ارتفاع، 0°/45°mm)
70×180/60×110	قطعه کار با سطح مقطع مستطیلی (طول* ارتفاع، 0°/45°mm)
95×95/90×90	قطعه کار زاویه دار (طول* ارتفاع، 0°/45°mm)

تشریح محصول

قطعات نشان داده شده در شکل:

1. دستگیره. 2. دکمه قفل خودکار. 3. سوئیچ. 4. درون بست. 5. پوشش جاروبک کربنی. 6. کابل. 7. پشتبندان. 8. پوشش ثابت شده. 9. پوشش متحرک. 10. دکمه قفل خودکار. 11. چرخ خردکننده. 12. اجزای قلاب قطعه کار. 13. پایه. 14. اچار

4. عملکرد و دستورالعمل های اجرایی و دستورالعمل های نصب وسایل جانبی

	توجه: قبل از استفاده، دستورالعمل ها را با دقت بخوانید. هنگامی که قرار است قطعات دستگاه الکترونیکی را نگهدارید پریز را باید از برق بکشید.
--	--

عملکرد دستگیره محدود کننده (نگاه کنید به شکل. 1)

زمانی که ابزار نیاز به ثابت شدن دارد، دستگیره محرک باید رو به پایین فشرده شود و دکمه دستگیره محدود کننده نیاز به فشرده شدن به سمت حفره محدود کننده دارد و سپس ابزار ثابت خواهد شد. زمانی که نیاز است از دستگاه استفاده شود، دکمه دستگیره محدود کننده نیاز است که به سمت خارج فشرده شود و هنگامی که دستگیره دستگاه مجدداً تنظیم شد سپس می توان از دستگاه استفاده کرد.


2. عملکرد سوئیچ (نگاه کنید به شکل. 2)

برای روشن کردن دستگاه شما فقط لازم است که سوئیچ راه انداز را به سمت بالا بکشید. هنگامی که سوئیچ آزاد شد دستگاه باید از چرخیدن بایستد، اگر می خواهید دستگاه به طور مداوم بچرخد شما فقط نیاز به فشار دادن دکمه قفل خودکار دارید بعد از اینکه سوئیچ راه انداز به سمت بالا کشیده شد و اگر دوباره سوئیچ را بالا ببرید چرخش مداوم متوقف خواهد شد.

3. روش تعویض و نصب و راه اندازی چرخ سنبله (نگاه کنید به شکل. 3)

1. چرخ سنبله را بردارید. از دست چپ برای فشردن پین توقف 1 به حفره دنده 2 استفاده کنید و سپس از آچار برای باز کردن پیچ و مهره 5 استفاده کنید و سپس چرخ سنبله 7 باید بیرون آورده شود.
2. نصب کردن چرخ سنبله. پس از تمیز کردن گرد و غبار تراشه چرخ سنبله 3، فاصله دهنده 4 و پیچ و مهره 5 سپس چرخ سنبله 7 باید نصب شود. سپس تراشه چرخ سنبله 3، فاصله دهنده 4 و پیچ و مهره 5 باید به ترتیب

					
عینک	لطفاً کفش های عایق لطفاً	لطفاً گوش پوشش	لطفاً دستکش های عایق بپوشید	لطفاً به خطوط برق توجه کنید	لطفاً از انگشتهایتان مراقبت کنید
حفاظتی بپوشید	چرم بپوشید	بپوشید	عایق بپوشید		

	دفع زباله با مواد بازیافتی جایگزین می شود. در رابطه به حفاظت از محیط زیست، ماشین آلات، لوازم جانبی و بسته هایی که یکبار آسیب دیده اند، باید به جزئیات طبقه بندی شوند و به طور کامل بازیافت شوند. دستورالعمل بر روی کاغذ بازیافت شده بدون کلر منتشر می شود و قسمت پلاستیکی اطلاعات دقیقی را در مورد اجزای آن ارائه می دهد.
---	---

3. معرفی/ تشریح محصول و پارامتر های فنی

پارامتر های فنی

مدل محصول	CT15205N
توان نامی (وات)	2200
توان خروجی (وات)	1400
فشار جریان کنونی (220 ولت)	10.3 آمپر
سرعت بدون بار (دور در دقیقه)	3800
سطح ایمنی	II/III
وزن خالص دستگاه (کیلوگرم)	14.5
تنظیم گیره زاویه ای (°)	±45
حداکثر میزان باز شدن گیره (میلیمتر)	200
سایز چرخ سنبله (قطر خارجی× ضخامت× قطر داخلی میلیمتر)	Φ355*3*Φ25.4

وسیله را کاهش دهد.

4. ابزارهای برقی بی حرکت را در دسترس کودکان قرار ندهید و از استفاده افرادی که با ابزار برقی آشنا نیستید یا دستورالعمل های مربوط به آن را درک نمی کنند خودداری کنید. استفاده از وسیله برای کاربرانی که آموزش ندیده اند، خطرناک است.

5. از ابزار برقی نگهداری کنید، بررسی کنید که آیا قطعات متحرک در جای خود قرار گرفته اند یا گیر کرده اند، شکستگی قطعات و دیگر عوامل موثر بر بهره برداری از ابزارهای برقی را بررسی کنید. ابزار برقی را قبل از استفاده، اگر آسیب دیده اند تعمیر کنید. بسیاری از حوادث ناشی از نگهداری نامناسب از ابزار برقی است.


6. تیغه ها را تیز و تمیز نگه دارید. تیغه های خوب نگهداری شده با لبه های تیز به آسانی گیر نمی کنند و کنترل شان هم آسان است.

7. پس از رسیدگی به شرایط عملیاتی و عملیات در حال انجام با توجه به روش گفته شده در دستورالعمل عملیاتی و نوع های خاص ابزار برقی، از لوازم جانبی ابزارهای برقی و قطعات آن مورد استفاده قرار گیرد. استفاده از ابزارهای برقی برای انجام کارهایی که با برنامه های آنها مطابقت ندارد ممکن است باعث ایجاد خطر شود.

ه) نگهداری

ابزار برقی خود را برای تعمیر و نگهداری با قطعات یدکی اش به افراد حرفه ای بسپارید. به این ترتیب، می توان ایمنی ابزار برقی را حفظ کرد..

2. دستورالعمل های ایمنی ویژه برای اره فارسی بر

	حفاظت های ایمنی زیر برای استفاده از چکش الکتریکی مورد نیاز است در غیر اینصورت آسیب هایی به دستگاه یا بدنتان وارد خواهد شد.
--	--

موارد خاص مورد نیاز برای دستگاه برش

1) زمانی که عملیات برش در جریان است لطفا صبر کنید تا موتور به طور عادی کار کند، سپس کار باید ادامه پیدا کند؛

اگر قبل از اینکه موتور به طور عادی کار کند دستگاه را روشن کنید، برش سطح قطعه کار ناهموار خواهد بود.

2) بار اضافه نباید به محصول وارد شود؛ عملیات نادرست می تواند منجر به شکستگی چرخ سنبلدهشده و باعث آسیب دیدگی موتور هم شود.

3) سطح متحرک چرخ سنبلده باید تایید شود؛ اگر محرک بودن چرخ جدید سنبلده بیش از حد باشد، چرخ سنبلده ممکن

است شکسته شود. اگر سطح انحراف چرخ سنبلده بیش از حد زیاد است آن را با یکی چرخ جدید جایگزین کنید.

4) محافظ چشم باید پوشیده شود؛

5) از چرخ سنبلده شکسته نباید استفاده شود؛

6) مواد مجاور بدون شیلد در موقعیت مناسب نباید استفاده شود؛

7) فقط از چرخ سنبلده توصیه شده توسط تولید کننده باید استفاده شود و سرعت نشان داده شده باید برابر یا بیشتر از سرعت نشان داده شده توسط ابزار باشد؛ چرخ سنبلده با سرعت خطی کمتر از 4800 متر در دقیقه نباید مورد استفاده قرار بگیرد.

8) دستورالعمل های ارائه شده توسط تولید کننده چرخ سنبلده باید به دقت خوانده شود

9) چرخ سنبلده را تحت فشار قرار ندهید. اگر چرخ سنبلده در حال چرخش تحت فشار قرار بگیرد، سپس چرخ سنبلده شکسته خواهد شد و آسیب های جدی را به بدن انسان خواهد زد.

10) از سطح چرخ سنبلده برای ساییدن استفاده نکنید. اگر از سطح چرخ سنبلده استفاده شود سپس چرخ سنبلده خواهد شکست و آسیب جدی به بدن انسان وارد خواهد شد.


11) افراد ناآگاه مجاز به نزدیک شدن به دستگاه نیستند. در حین عملیات جرقه تولید شده ممکن است به بدن انسان آسیب وارد کند.


12) هنگامی که قطعات (سنجاق، واشر و پیچ و غیره) هر گونه شکستگی داشتند، لطفا استفاده از آنها را متوقف کنید. هنگامی که در زمان استفاده ثابت و پایدار نیستند، چرخ سنبلده ممکن است بشکند و به بدن انسان آسیب هایی وارد شود.

13) جهت جرقه های تولید شده هنگام برش باید در جهت مکانی باشد که جای خطرناکی نباشد. اگر در اطراف جرقه هرگونه ماده قابل اشتعال وجود داشته باشد حوادثی ممکن است رخ دهند.

14) عملیات باید پس از این که قطعه کار کاملا مطمئن و محکم به شاسی چسبانده شد انجام شود. قطعه کار روی گیره که ثابت نشده است می تواند پرت شده و باعث آسیب به بدن انسان شود.

استفاده از علائم

	توجه: لطفا اطمینان حاصل کنید که مدل محصول را از روی پلاک ها شناسایی کنید، چرا که همان دستگاه می تواند پارامتر های متفاوتی داشته باشد. دامنه ولتاژ این مدل 220 230 ولت و 60/50 هرتز است که برای مناطق کم ولتاژ و کشورهای که مقررات خاصی در مصرف برق ندارند، قابل استفاده نیست.
--	---

	<p>هشدار! تمام هشدارها و دستورالعمل ها را بخوانید. در صورت عدم توجه به هشدارها و دستورالعمل های زیر، شوک الکتریکی، آتش سوزی و یا آسیب جدی ایجاد می شود. تمام کتابچه های هشدار و دستورالعمل ها را برای ارجاع نگه دارید. در تمام هشدارهای ذکر شده در زیر، منظور از اصطلاح "ابزار برقی" وسیله برقی ای است که توسط منبع تغذیه اصلی (سیم) و یا باتری (بی سیم) هدایت می شود.</p>
--	--

توجه: ما باید به نکات ایمنی اساسی ذکر شده در پایین ، برای کاهش حوادثی مانند آتش سوزی، شوک الکتریکی یا آسیب در هنگام استفاده از ابزارهای برقی توجه کنیم.

الف) ایمنی محل کار

1. محل کار را تمیز و روشن نگه دارید. محل کار نامنظم و تاریک ممکن است باعث حادثه شود.

2. ابزارهای برقی را در محیط های انفجاری مانند مایع قابل اشتعال، گاز یا گرد و غبار استفاده نکنید. جرقه ای که توسط ابزار برقی تولید می شود، ممکن است باعث مشتعل شدن گرد و غبار یا گاز شود.

3. بعد از رفتن همه بچه ها و رهگذران از ابزار برقی استفاده کنید، . نادیده گرفتن این نکته ممکن است باعث شود اپراتور کنترلش بر روی دستگاه را از دست بدهد.

ب. ایمنی برقی

1. دوشاخه ابزار برقی باید با پریز برق مطابقت داشته باشد. دو شاخه ها به هیچ وجه نباید تغییر کنند. استفاده از دوشاخه های تغییر داده شده باعث خرابی ابزارهای برقی می شود. دوشاخه اصلاح نشده و پریزهای برقی که مطابقت دارند، ممکن است خطر شوک را کاهش دهند.

2. از قرار گرفتن در معرض سطوح قطبی، مانند لوله کشی، خنک کننده یا یخچال فریزر اجتناب کنید. قطبی شدن بدن ممکن است خطر شوک را افزایش دهد.

3. ابزارهای برقی را در محیط بارانی یا مرطوب قرار ندهید. ورود آب به ابزار برقی ممکن است خطر شوک را افزایش دهد.

4. از سیم ها بد استفاده نکنید. سیم ها نباید برای حمل یا کشیدن ابزار برقی یا دوشاخه ها استفاده شوند. سیم ها را دور از منبع گرما، روغن، لبه تیز یا قطعات متحرک نگه دارید. سیم انعطاف پذیر آسیب دیده یا پیچیده شده ممکن است خطر شوک را افزایش دهد.

5. هنگام استفاده از ابزار برقی در فضای باز، از سیم انعطاف پذیر خارجی استفاده کنید. سیم انعطاف پذیر مناسب برای استفاده در فضای باز ممکن است خطر شوک را کاهش دهد.

6. محافظ عملکرد جریان باقی مانده باید در محیط مرطوب استفاده شود. استفاده از RCD ممکن است خطر شوک را کاهش دهد.

ج) ایمنی شخصی

1. هنگامی که احساس خستگی می کنید، یا زمانی که دارو، الکل یا واکنش های درمانی وجود دارد، از ابزار برقی استفاده نکنید. سهل انگاری لحظه ای، در هنگام استفاده از ابزارهای برقی ممکن است باعث صدمات شخصی شود.

2. از تجهیزات محافظ شخصی استفاده کنید. همیشه از محافظ چشم استفاده کنید. استفاده از ابزار ایمنی مانند ماسک گرد و غبار، کفش ایمنی ضد سرخوردگی، کلاه ایمنی، محافظ گوش در شرایط مناسب ممکن است آسیب های شخصی را کاهش دهد.

3. از فعال شدن تصادفی جلوگیری کنید. در هنگام اتصال به منبع برق و یا نگه دارنده باتری، یا بلند کردن و یا حمل وسیله، سوئیچ را در حالت OFF قرار دهید. دوشاخه را به پریز برق زدن هنگامی که انگشتان روی سوئیچ ON یا سوئیچ در حالت ON باشد ممکن است باعث ایجاد خطر شود.

4. قبل از اتصال ابزار برقی، کلیدهای تنظیم ، پیچ ها را خاموش کنید. پیچ و یا کلیدهای موجود در بخش های چرخشی ابزار برقی ممکن است سبب آسیب شخصی شود.

5. دستان را خیلی نکشید. همیشه به تعادل پاهایتان و بدن توجه کنید تا بتوانید ابزارهای برقی را در شرایط اضطراری کنترل کنید.

6. لباس مناسب بپوشید. لباس های گشاد و یا جواهرات نپوشید. لباس ها، دستکش ها و موها را از قسمت های متحرک دور نگه دارید و دستکش هایی که از مواد نازک ساخته شده اند و به راحتی پیچ می خورند(مانند پنبه، پشم، نخ و غیره) استفاده نکنید.

لباسهای گشاد، جواهرات یا موهای بلند ممکن است به راحتی دور قطعات متحرک پیچ بخورند، که موجب آسیب دیدگی می شود.

7. اطمینان حاصل کنید که هر وسیله ای که برای اتصال با دستگاه جمع آوری تراشه یا جمع آوری گرد و غبار فراهم شده است به خوبی متصل شده و به درستی کار می کند. استفاده از چنین دستگاهی ممکن است خطر ایجاد شده توسط تراشه یا گرد و غبار را کاهش دهد.

د) استفاده و رسیدگی به ابزار برقی

1. از ابزارهای برقی استفاده نامناسب نکنید و از آنها بر اساس کاربردشان استفاده کنید. انتخاب مناسب ابزارهای برقی طراحی شده، باعث می شود به طور موثرتر و با خیال راحت کار کنید.

2. ابزار برقی که منبع قدرت را نمی توان با سوئیچ روشن یا خاموش کرد، نباید استفاده شوند. ابزار برقی که نمی توان برای کنترل آنها از سوئیچ استفاده کرد، خطرناک هستند و باید تعمیر شوند.

3. قبل از هر گونه تنظیم، جایگزینی لوازم جانبی یا انبار کردن ابزار برقی، پریز را از منبع برق بکشید و یا نگهدارنده باتری را از وسیله جدا کنید. چنین اقدامات حفاظتی ای ممکن است خطر ایجاد شده توسط فعال شدن تصادفی