



FIELDMANN[®]
Home & Garden Performance



FDZN 4001



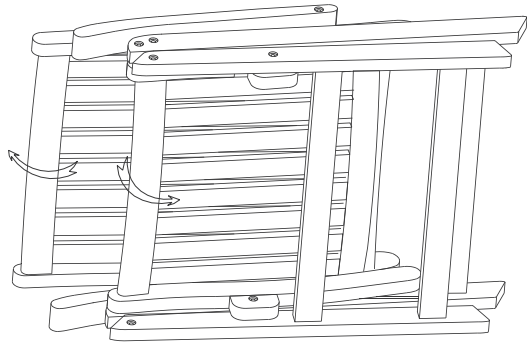
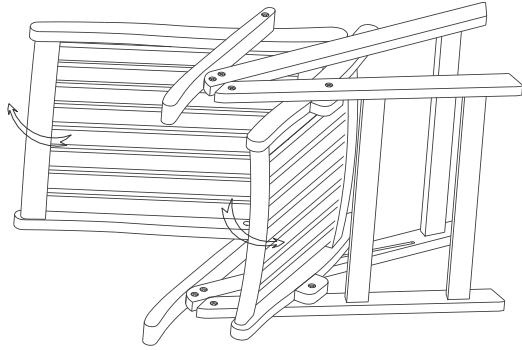
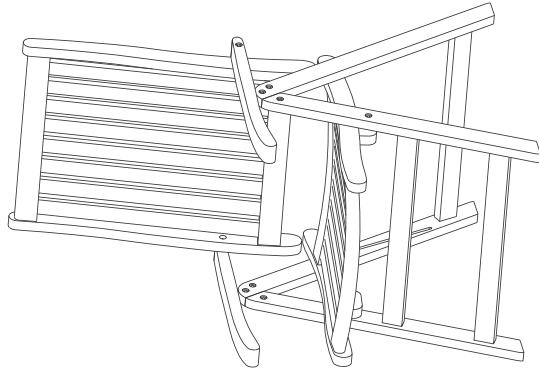
FDZN 4002



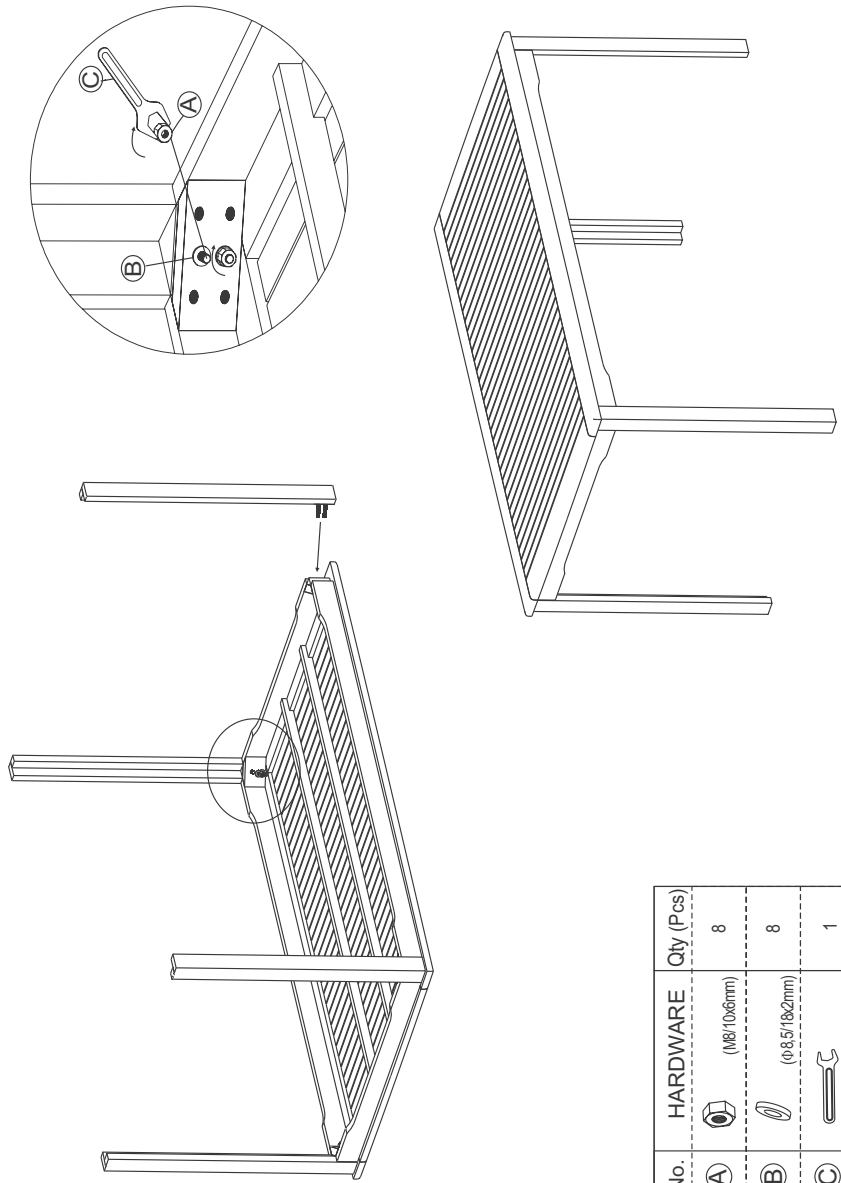
FDZN 4003










ASSEMBLY INSTRUCTION



No.	HARDWARE	Qty (Pcs)
A	 (M8*10x6mm)	8
B	 (φ8.5/18x2mm)	8
C		1



 **FIELDMANN**[®]
Home & Garden Performance

