



PRODUCT USE GUIDE

QUICK INSTALLATION GUIDE

G941

12000 DPI GAMING MOUSE

TECH SPECS

Sensor: Optical, PAW 3327DB+BY8832
DPI: 800-1200-1800-3000-12000 (default)
Buttons: 9 (programmable)
Switch rating: 20 million clicks
Backlight: RGB
Polling rate: up to 1000 Hz
Interface: USB 2.0
Cable length: 1.6 m
Size: 127 x 70 x 40 mm
OS support: Windows 7 or newer

www.marvo-tech.com

QUICK INSTALLATION GUIDE

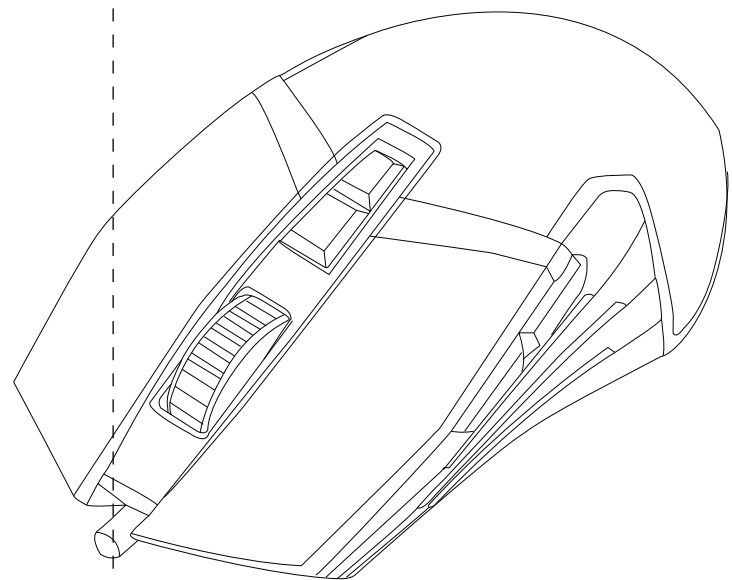
PRODUCT PRESENTATION

1. FEATURES

- Instantly adjust and improve your aiming precision with a press of a button at your fingertip
- RGB backlight with multiple effects
- The ambidextrous design guarantees a balanced and secure feel for both claw and palm grip-styles
- Tried and true button layout for quick and reliable access to your commands

2. SYSTEM REQUIREMENTS

PC system or compatible with one USB port available, Windows 7 or newer operating system.



QUICK INSTALLATION GUIDE

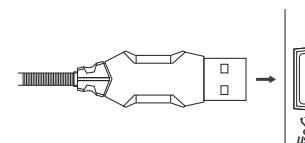
QUICK INSTALLATION GUIDE

SAFETY NOTES

- Keep the equipment dry. Keep away from precipitation, humidity, all types of liquids and condensation.
- Do not use the product with wet hands.
- Do not use or store the equipment in dusty or dirty areas.
- Do not store the equipment under high-temperature or low-temperature conditions (this may damage it).
- Do not drop, knock or shake the equipment as it may damage it.

INSTALLATION

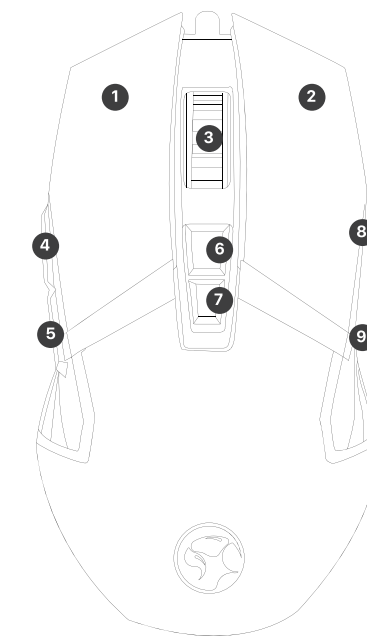
Connect the mouse to an available USB port on your computer. When connecting for the first time, wait 15 seconds until the generic driver is installed.



NOTE:
This mouse does not have a specialized driver and does not require one for proper operation and functionality.

QUICK INSTALLATION GUIDE

MOUSE USE



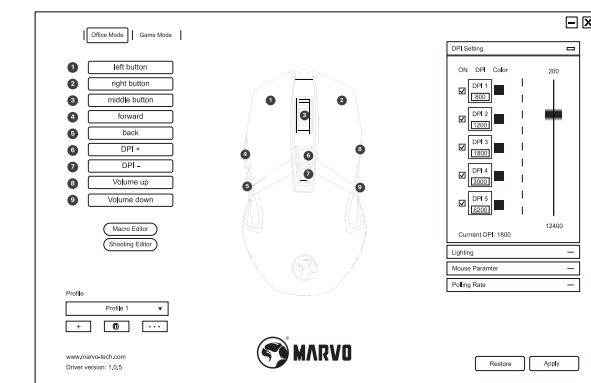
- 1: left button
- 2: right button
- 3: middle button
- 4: forward
- 5: back
- 6: DPI +
- 7: DPI -
- 8: Volume up
- 9: Volume down

QUICK INSTALLATION GUIDE

MOUSE DRIVER USE

Key Setting

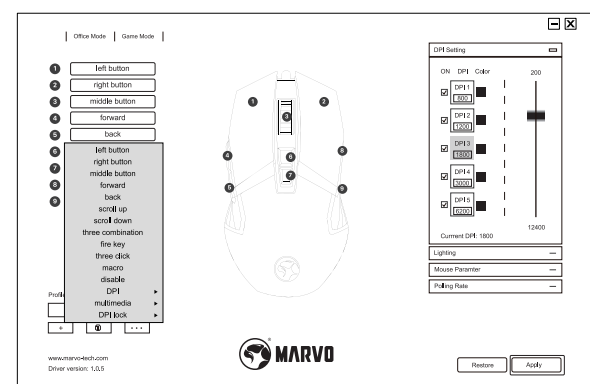
Select "Office Mode" or "Game Mode" tab and set user-defined function of each key as following graph. 1 for Left Click, 2 for Right Click, 3 for Mid click, 4 for forward, 5 for backward, 6 for DPI +, 7 for DPI -, 8 for Volume up, 9 for Volume down, 10 kept as default.



www.marvo-tech.com

QUICK INSTALLATION GUIDE

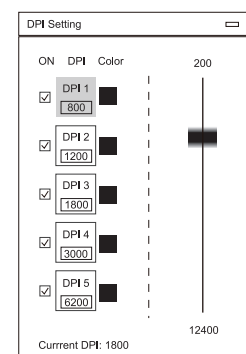
One click the key you want to set then choose a new function. Click "Apply" to save the setting.



QUICK INSTALLATION GUIDE

DPI Setting

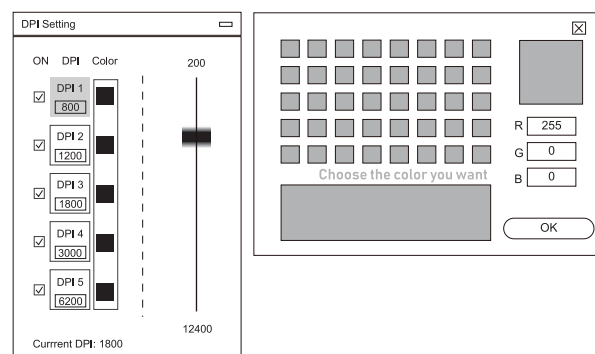
The default DPI: 800-1200-1800-3000-6200, you can set the DPI from 800-6200. Click "Apply" to save the setting.



QUICK INSTALLATION GUIDE

User define color

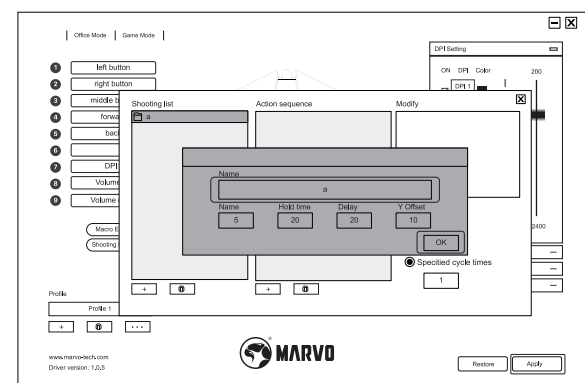
Double click the color label, choose the color you want. Click "Apply" to save the setting.



QUICK INSTALLATION GUIDE

Shooting Setting

Macro management can record any keys of keyboard, the time of keys reaction and the number of keys cycles. Click "New macro folder" to create a new file, such as a, b, c, and click New macro, input a name such as a, b, c. Select whether to increase the delay and the times of cycles and adjust the parameters, and then click "OK" to save.



Execute a macro, such as the mouse button "4" key set to "macro functions", press the mouse "4" key to play the recorded content.

QUICK INSTALLATION GUIDE

TROUBLESHOOTING

- In case of incorrect operation follow the steps below:
 - Check the integrity of the connectors.
 - Check the connection to the computer;
 - Check your computer settings;
 - Disconnect and reconnect the equipment; restart the computer.
- If the problem persists, please contact your local seller.

GENERAL INFORMATION

- Unauthorized repairs or disassembly of the product will void the warranty and may cause its damage.
- This product is safe and complies to EU requirements.
- This product is manufactured conforming with the European RoHS standard. This standard was introduced to reduce the amount of electrical and electronic waste emitted into the atmosphere.
- Using the WEEE symbol (the crossed-out bin) indicates that the electrical and electronic equipment inside the package can be recycled. When recycling waste properly, you protect the environment and people health. Segregated household waste collection, aids recycle materials and components used for the production of this device. For detailed information about recycling, please contact your retailer or a local authority.

QUICK INSTALLATION GUIDE

Warranty Card

Product Model: _____
Product Serial No: _____
Date of Purchase: _____
Customer Name: _____
TEL: _____
Address: _____
Distributor Name: _____
TEL: _____

Warranty Card is the important certificate for after-sale service of Marvo products, please keep it safe.

www.marvo-tech.com

BORN FOR GAMING



Scan Me



Scan Me