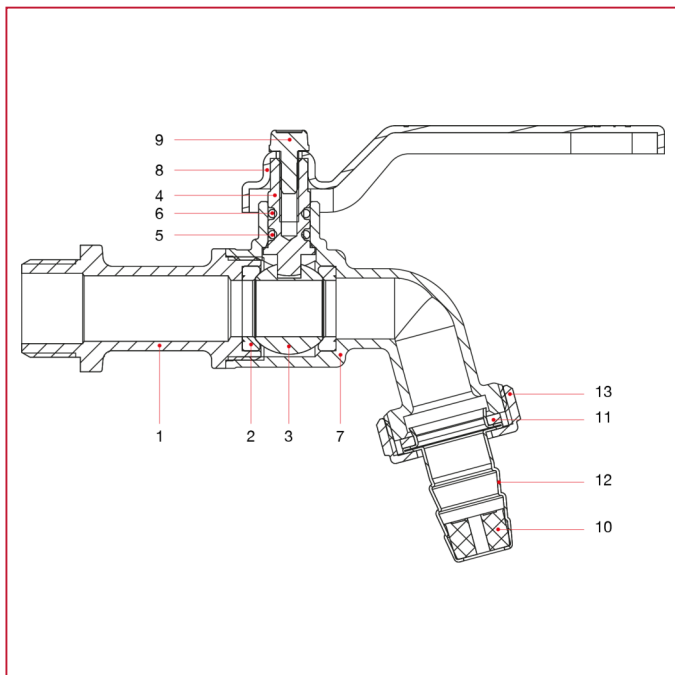




## 132 Шаровый сливной кран с латунным штуцером

### MATERIALS



N.	ОПИСАНИЕ	КО Л.	МАТЕРИАЛ
1	End adapter	1	Nickel-plated brass CW617N
2	Seat	2	P.T.F.E.
3	Ball	1	Chrome-plated brass CW614N
4	Stem	1	Brass CW614N
5	O-ring	1	NBR
6	O-ring	1	Viton®
7	Body	1	Nickel-plated brass CW617N
8	Lever handle	1	Varnished steel P04
9	Screw	1	Zinc-plated steel C4C
10	Hose end	1	Polymer
11	Washer	1	Elastomer
12	Hose connection	1	Nickel-plated brass CW508L
13	Nut	1	Nickel-plated brass CW617N