



MARS 120

GAMING DESK

COUGAR MARS 120 gaming desk provides ergonomic design with dazzling RGB lighting effects for enhancing your superior gaming experiences. It's how we make your gaming dreams come true and present a unique gaming desk for you!

ENGLISH

- Ergonomic curved edges design and rounded corners.
- Dual side wing: RGB backlight effects.
- Support for 5V RGB motherboard connections (ASUS, ASRock, Gigabyte or MSI).
- USB pass-through x2 & Audio Jacks.
- Carbon fiber texture design.
- High-strength welded steel frame for maximum stability.

ESPAÑOL

- Design Diseño ergonómico de bordes curvos y esquinas redondeadas.
- Wing Ala lateral doble: RGB efectos de retroiluminación.
- Soporte para conexiones de placa madre de 5V RGB (ASUS, ASRock, Gigabyte o MSI).
- USB pass-through x2 y conectores de audio.
- Design Diseño de textura de fibra de carbono.
- Frame Bastidor de acero soldado de alta resistencia para una máxima estabilidad.

ITALIANO

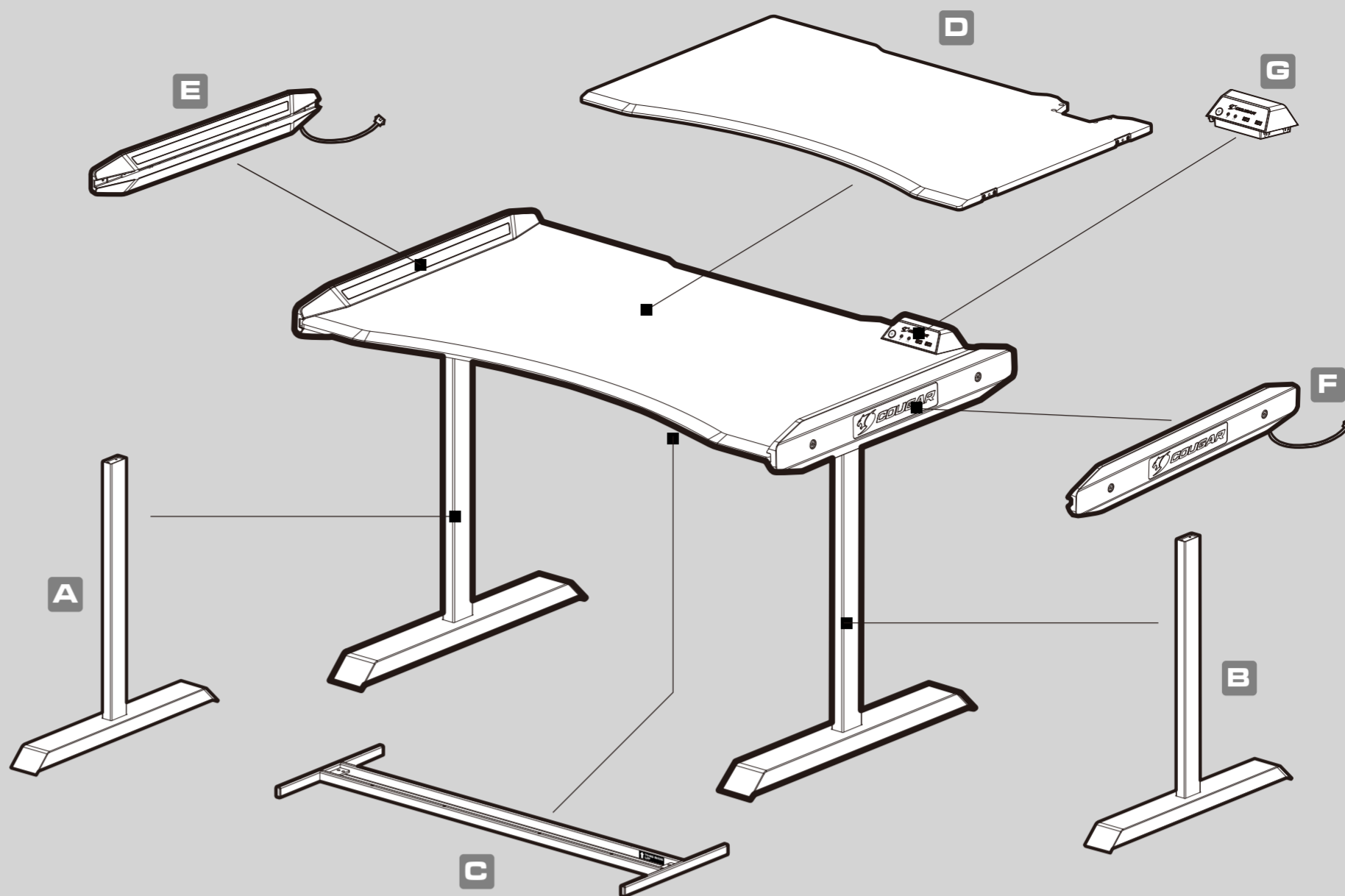
- Design ergonomico dei bordi curvi e angoli arrotondati.
- Ala laterale doppia: RGB effetti di retroilluminazione.
- Supporto per connessioni della scheda madre RGB 5V (ASUS, ASRock, Gigabyte o MSI).
- USB pass-through x2 e prese audio.
- Design della trama in fibra di carbonio.
- Telaio in acciaio saldato ad alta resistenza per la massima stabilità.

PORTUGUÊS

- Edges Design de bordas curvas ergonômicas e cantos arredondados.
- Side Ala lateral dupla: RGB efeitos de luz de fundo.
- Suporte para conexões de placa-mãe de 5V RGB (ASUS, ASRock, Gigabyte ou MSI).
- USB pass-through x2 e tomadas de áudio.
- Design Design de textura de fibra de carbono.
- Estrutura de aço soldada de alta resistência para máxima estabilidade.

中文

- 更舒适的人体工学造型桌面设计
- 可调控式RGB侧翼灯效设计
- 支持主板RGB灯效同步功能 (ASUS, ASRock, Gigabyte 或 MSI)
- 桌面具有USB/Audio接口设计
- 类碳纤维表面防刮处理
- 高强度与高耐用度钢制桌架设计



SPECIFICATIONS

Product Name	COUGAR MARS 120 Gaming Desk
Model No.	CGR-MARS 120
I/O Panel	USB 3.0 x 1 / USB 2.0 x 1 / Audio Jacks x 2 / RGB button
Desk Dimension	125 (W) x 74 (D) mm / 49.2 (W) x 29.1 (D) inch
Desk Height	81 (H) cm / 31.9 (H) inch

ДАТА ИЗГОТОВЛЕНИЯ ПРОДУКЦИИ

год и месяц изготовления продукции указаны в серийном номере продукта. (существует 2 способа определения даты изготовления, оба способа описаны ниже)
 После S/N: первые две цифры означают год, вторые две – месяц изготовления. Например, S/N: H1702000001 означает, что товар был произведен в феврале 2017 года.
 После S/N: если указаны буквы, то две буквы представляют цифры из таблицы ниже, и означают год, последующие две цифры – месяц изготовления. Например, S/N: DA02REV000001 означает, что товар был произведен в феврале 2017 года.

A	B	C	D	E	F	G	H	I	J
1	2	3	4	5	6	7	8	9	0



GLOBAL WARRANTY POLICY

WARRANTY PERIODS OF COUGAR GAMING DEVICES
 Product : COUGAR MARS 120
 Warranty : 1 Year
 This warranty gives you specific legal rights. You may also have other rights granted under local law. These rights may vary.

БЪЛГАРИЯ

• Подробни инструкции за употреба изтържете от: <https://cougargaming.com/bg>

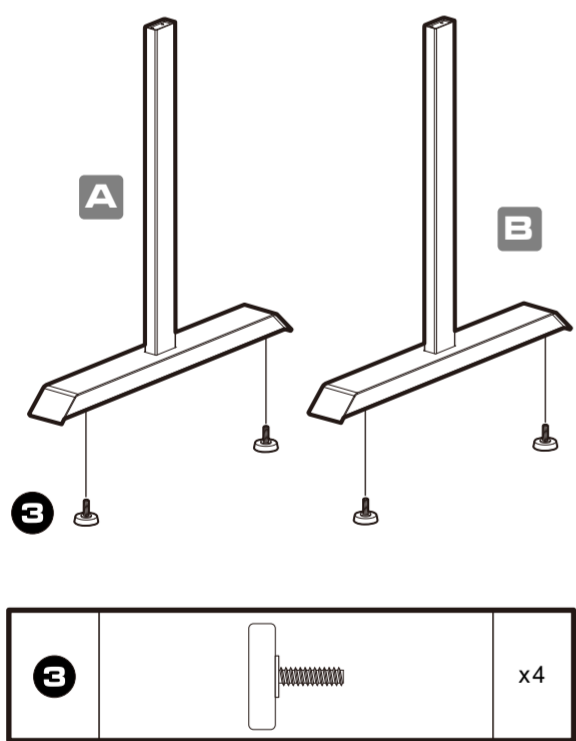


България QR код

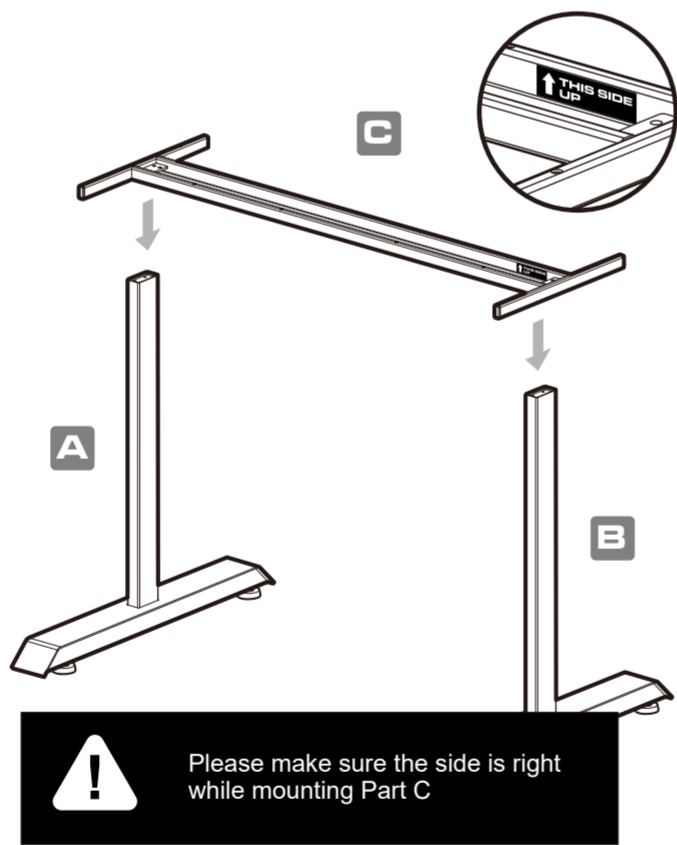
ACCESSORY KIT

1		x8	5		x4
2		x12	6		x4
3		x4	7		x1
4		x1	8		x1
			9		x4
			10		x1

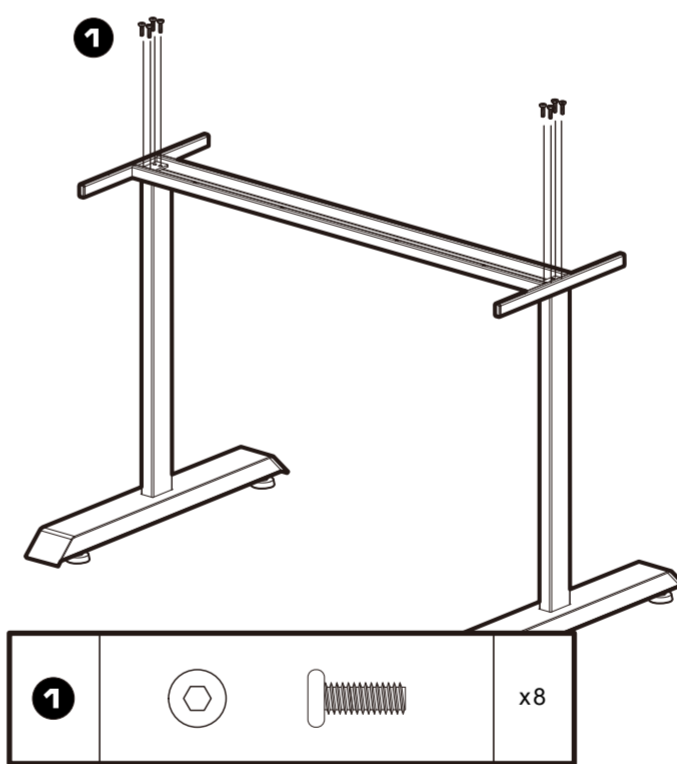
1



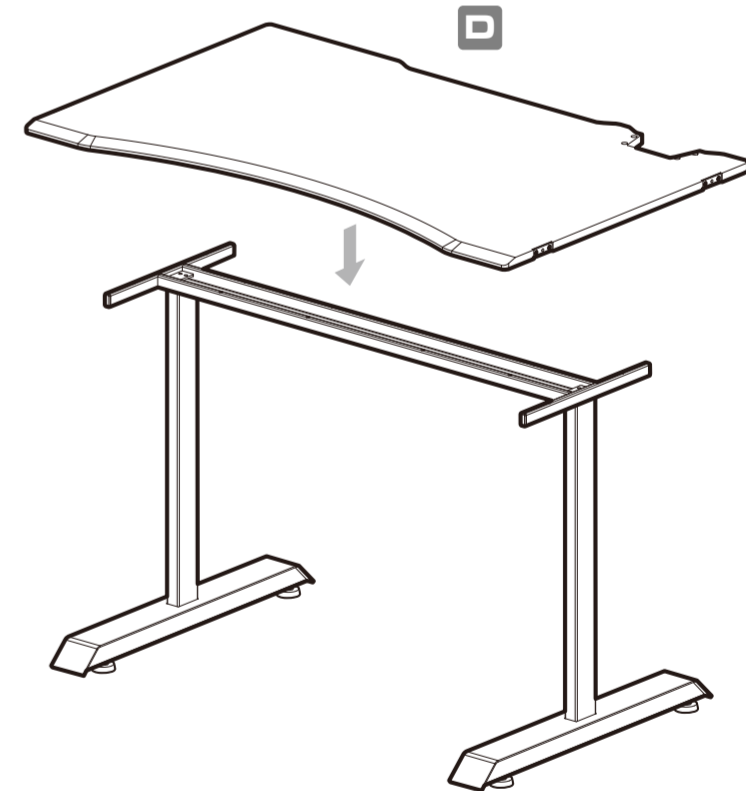
2



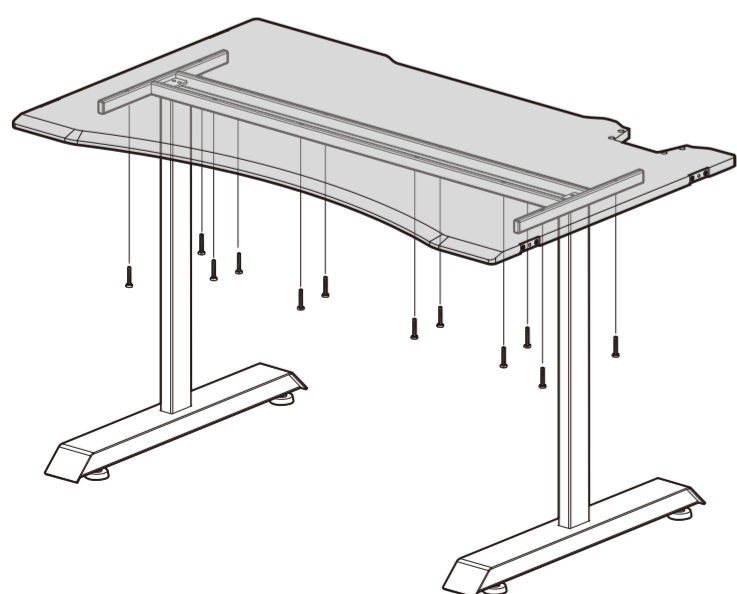
3



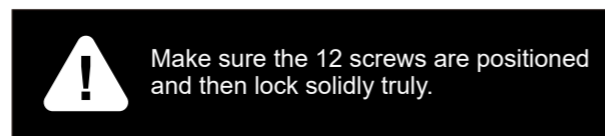
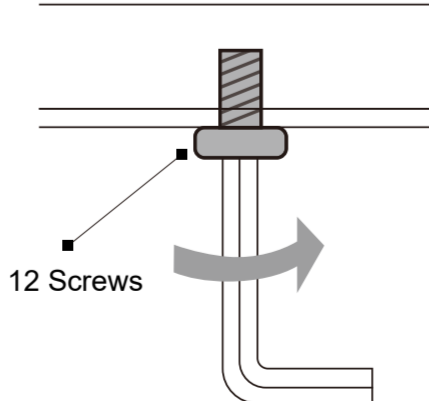
4



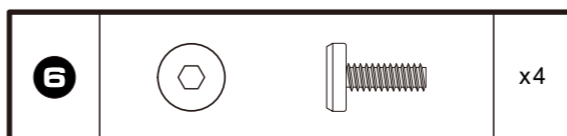
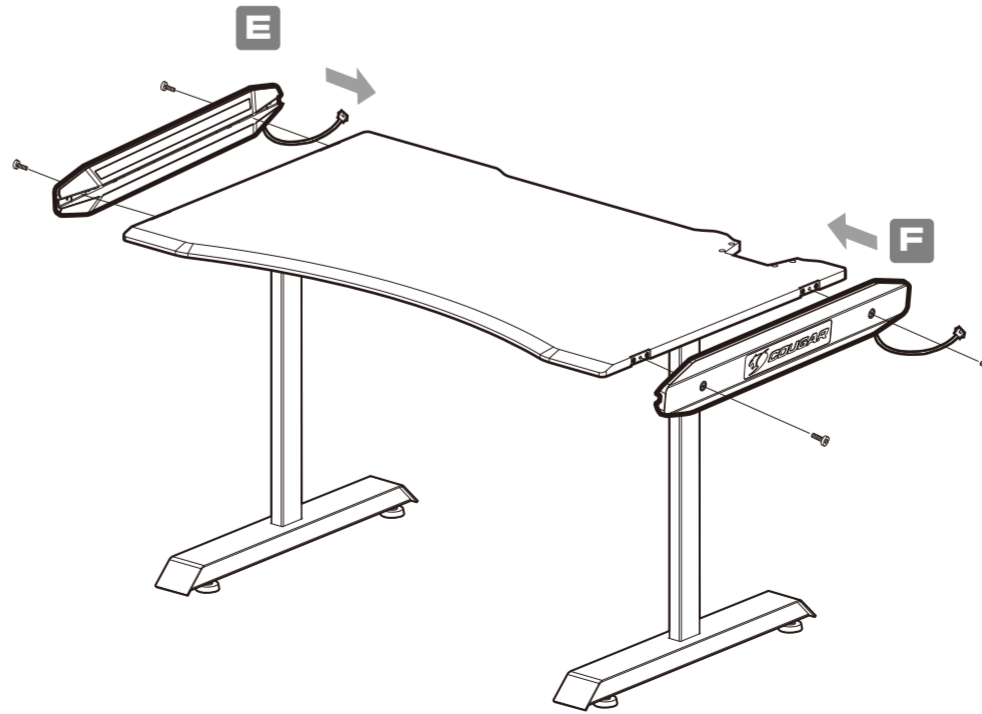
4



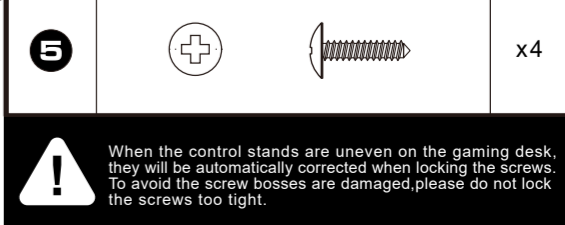
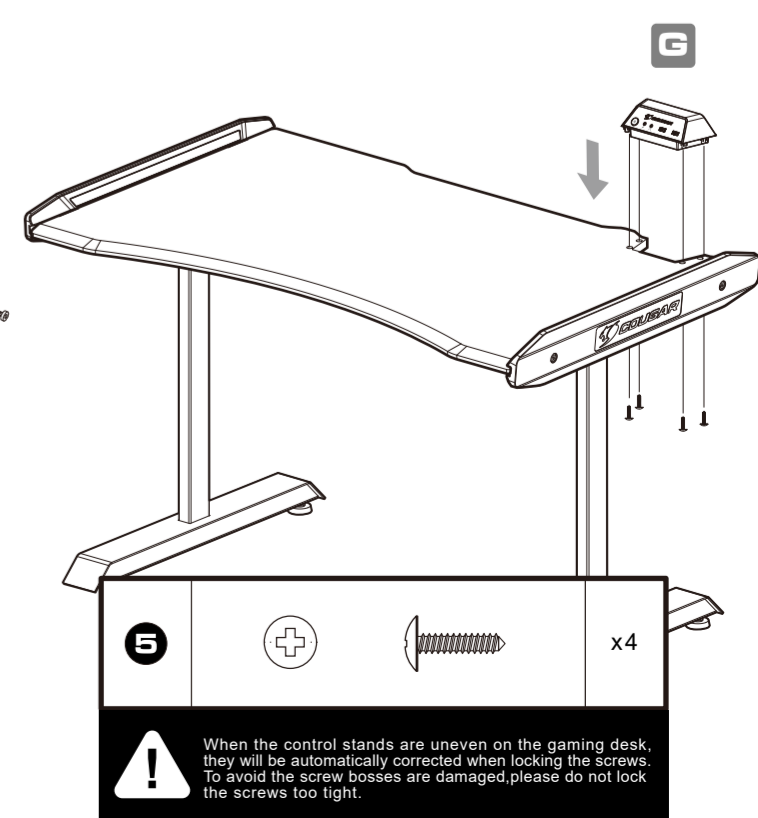
5

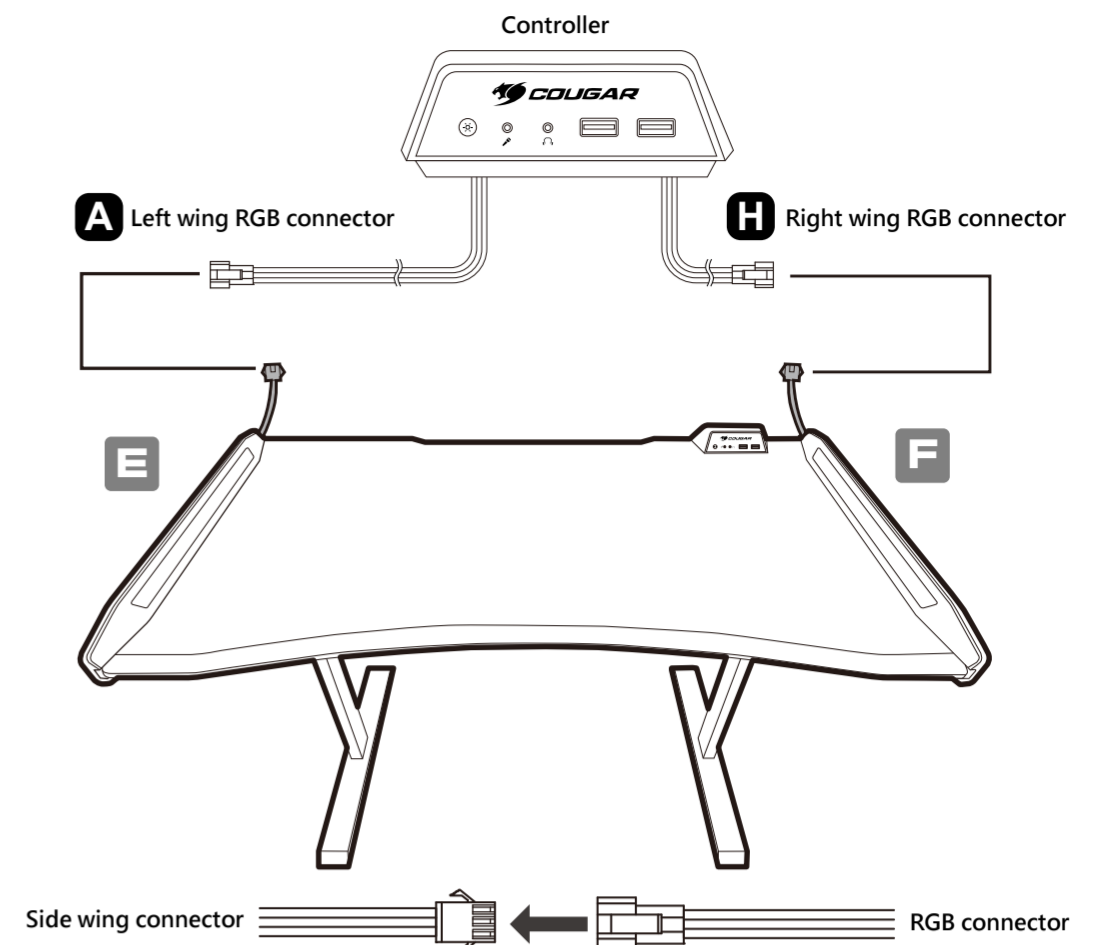
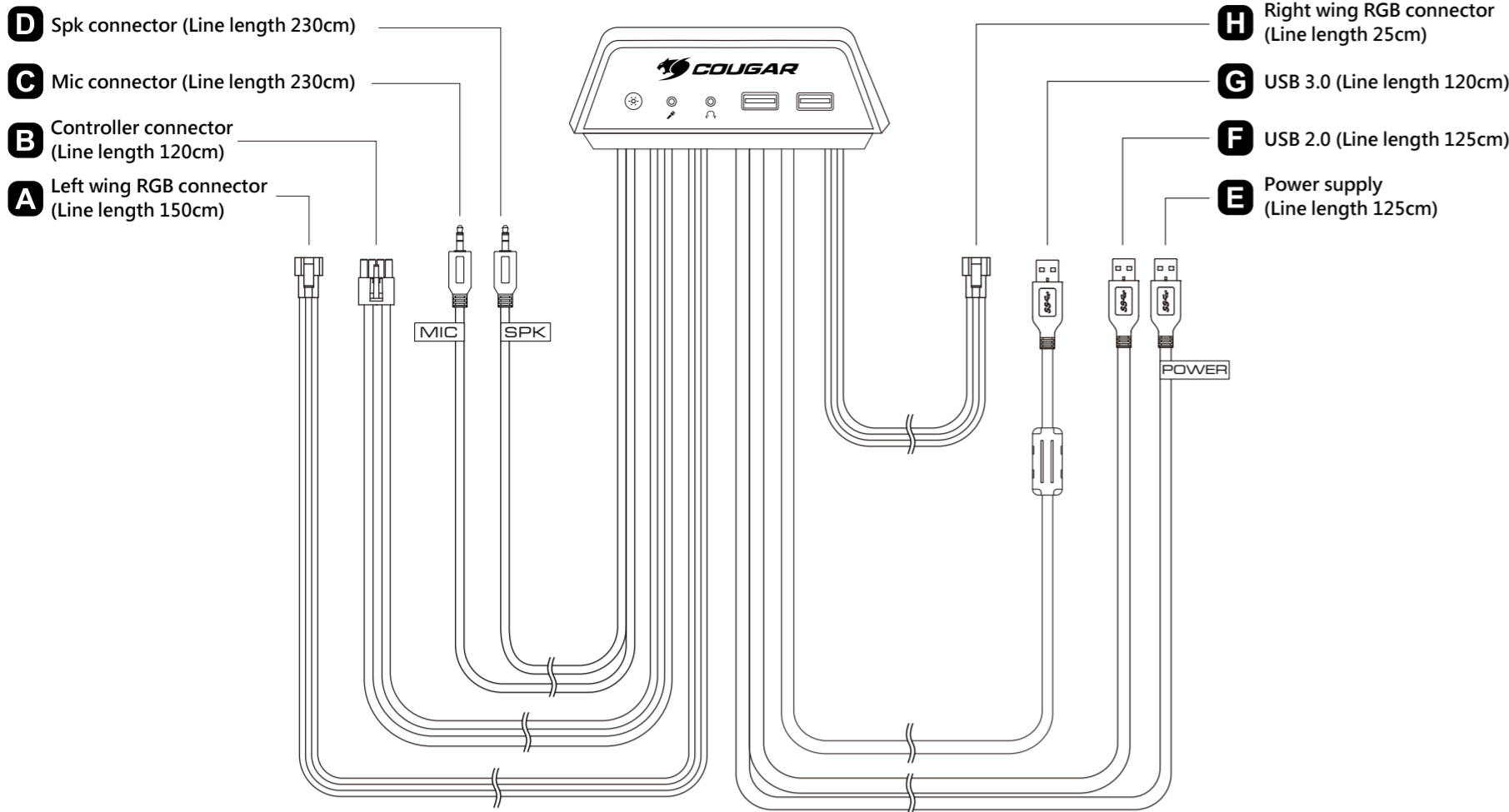


6



7

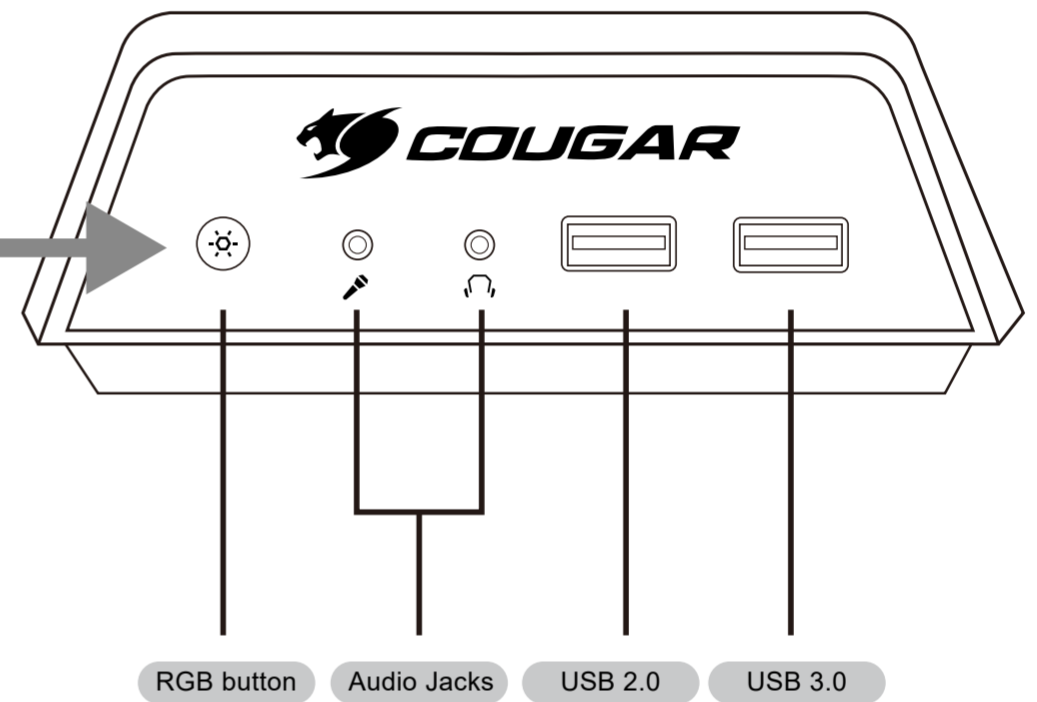
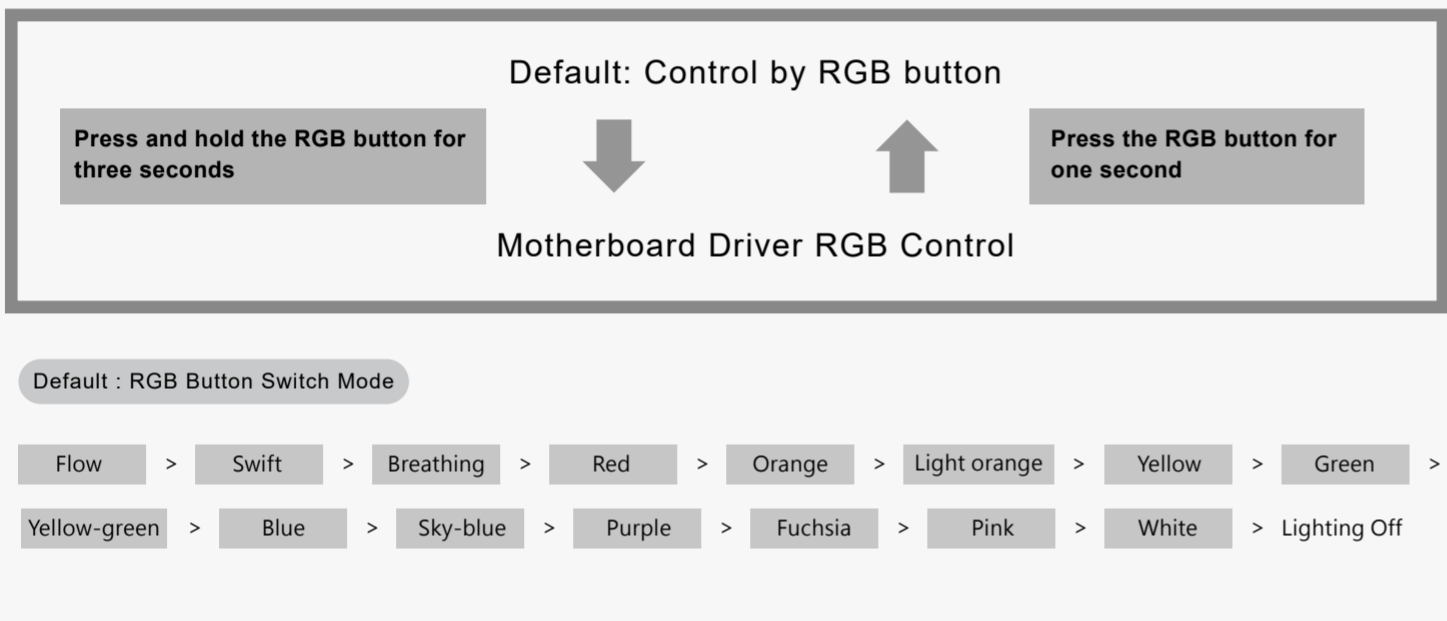




Controller Function

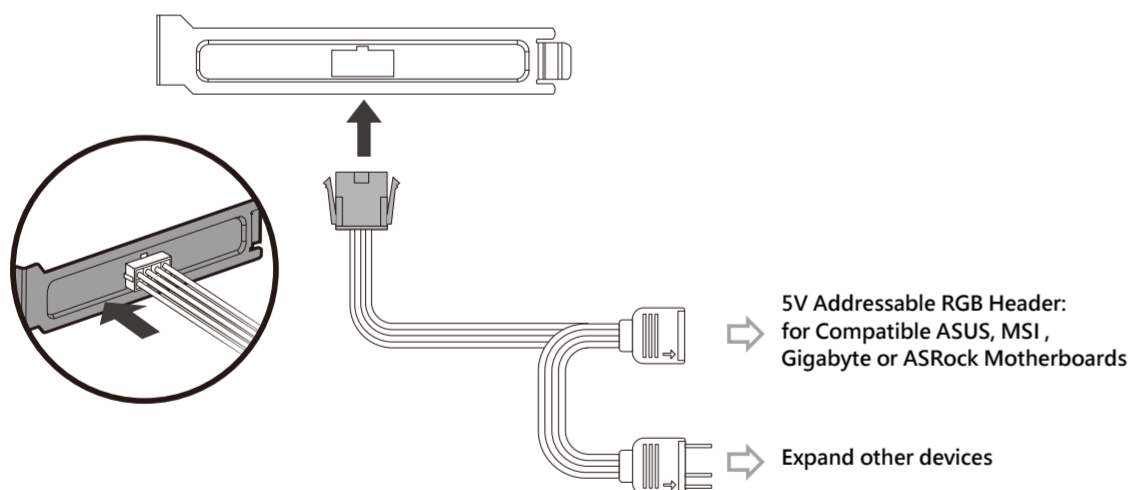
HOW TO SWITCH BETWEEN RGB CONTROL MODES

Press and hold the RGB button for three seconds in Motherboard Driver RGB Control mode, and the RGB button's LED will be turned off. If you need to return to default mode, just press the RGB button for one second.

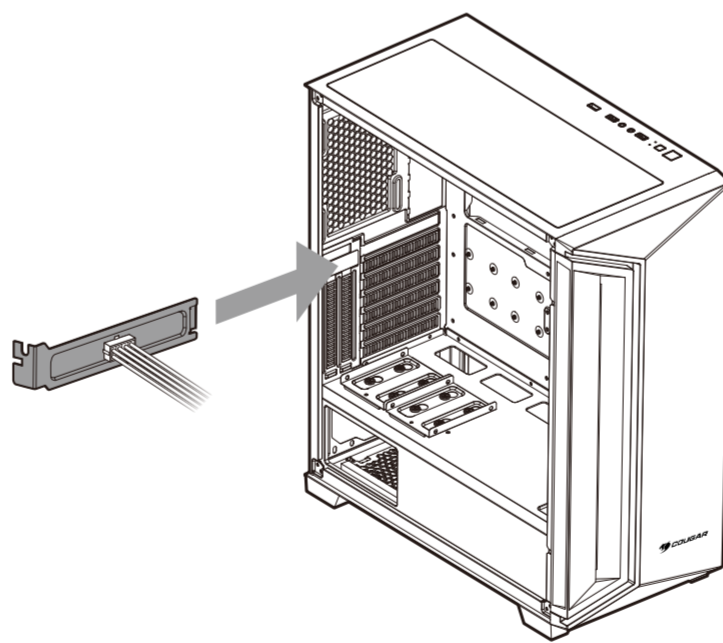


Connecting Controller to PC

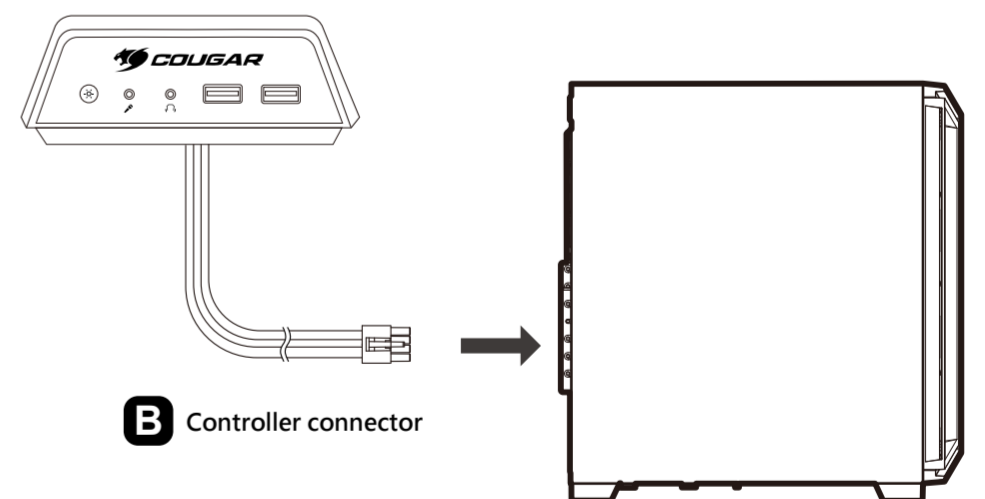
STEP .1



STEP .2

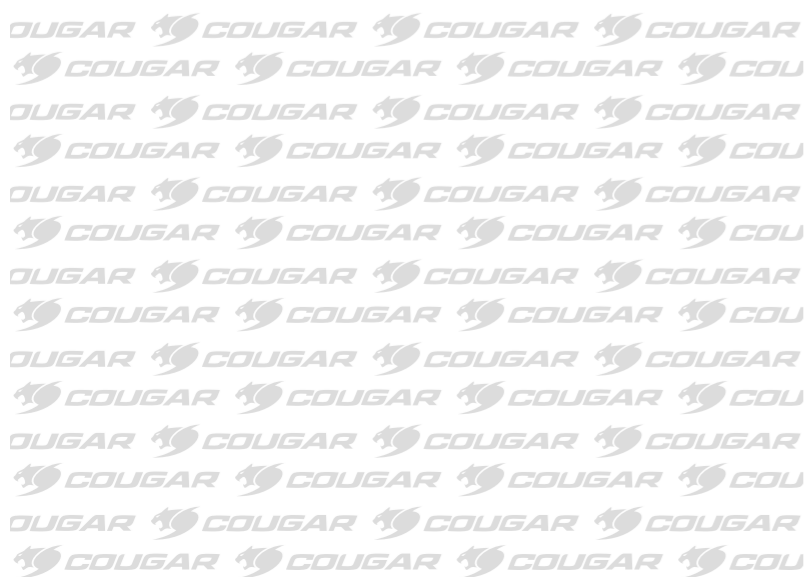


STEP .3



7		x1
8		x1

DISTRIBUTOR



WARRANTY AGREEMENT

If the product has defects in material or manufacture, COUGAR will provide product repair and replacement service within the warranty period. Our warranty service is based on the date of the invoice or warranty card.

CONDITIONS WHERE FREE MAINTENANCE IS NOT PROVIDED

- Any fault or damage caused by natural disasters (including storm, fire, flood, thunder, earthquake, etc).
- Any fault or damage caused by accidental factors and man-made reasons (including hit, scrape, crash, moving, compression, stain, corrosion, riot, misuse, malicious damage, etc).
- Use in an improper operating environment (including high temperature, high humidity, water inflow, etc).
- Inability to provide the product warranty card, purchase receipt or invoice to prove the product is still within the warranty period and the shipping date of the product is out of warranty.
- The warranty card has been altered or its number is hard to identify.
- The warranty period has expired.
- Any fault or damage caused by non-compliance with regulations stated on the user manual or improper, rough and careless treatment.
- Any fault or damage caused by use of parts not certified by COUGAR original manufacturer.
- The problem is caused by improper repair or adjustment by the buyer or any manufacturer without authorization from COUGAR.
- The product is not acquired from an authorized distributor of the company or is acquired from illicit sources.
- Paper carton, instruction and other accessories are not warranted.

DISCLAIMERS

- COUGAR products should not be used as critical components in life support devices.
- COUGAR is not liable for any damage of life and limb or damage or loss of property caused by or during COUGAR products' use as or with medical equipment, military equipment, traffic equipment and disaster prevention systems.
- COUGAR's warranty liability is limited to repair or replacement. The decision on whether to repair or replace belongs exclusively to COUGAR.
- COUGAR is, to the extent not prohibited by law, not liable for any damages, expenses, lost data, revenues, savings or profits; or any incidental or consequential damages happened while the use of a defective product from COUGAR or due to its use.

LEGAL NOTICES

This manual was created by CompuCase Enterprise and may not be completely or partially copied, passed on, distributed or stored without written consent by CompuCase Enterprise. COUGAR® is a registered brand of CompuCase Enterprise. Other product and company names mentioned in this documentation may be brands or trademarks of their respective owners. CompuCase Enterprise reserves the right to make changes concerning the contents of the manual and the technical data of the product without previous announcement.

MANUFACTURER CONTACT

CompuCase Enterprise Co.,Ltd.
No. 225, Lane 54, An Ho Road Sec. 2 Tainan, Taiwan, R.O.C
Tel:+886-6-356-0606
Service email : <https://cougargaming.com/support/contact/upload/>
CompuCase Enterprise Co.,Ltd. All rights reserved. Made in China

WARNING

- Please wear protective gloves when assembling the Desk. It is your own responsibility to use appropriate protection to prevent any physical damage.
- Do not use abrasive products or scrub energetically when cleaning. Please stick to gentle products suitable for delicate materials.
- All parts should be checked monthly to confirm their integrity and to make sure that the screws are not loose.
- If any part of the product is or appears to be damaged, missing or loose, please contact the local distributor and do not use the product. WARNING



www.cougargaming.com
facebook.com/cougargaming
youtube.com/user/COUGARGLOBAL