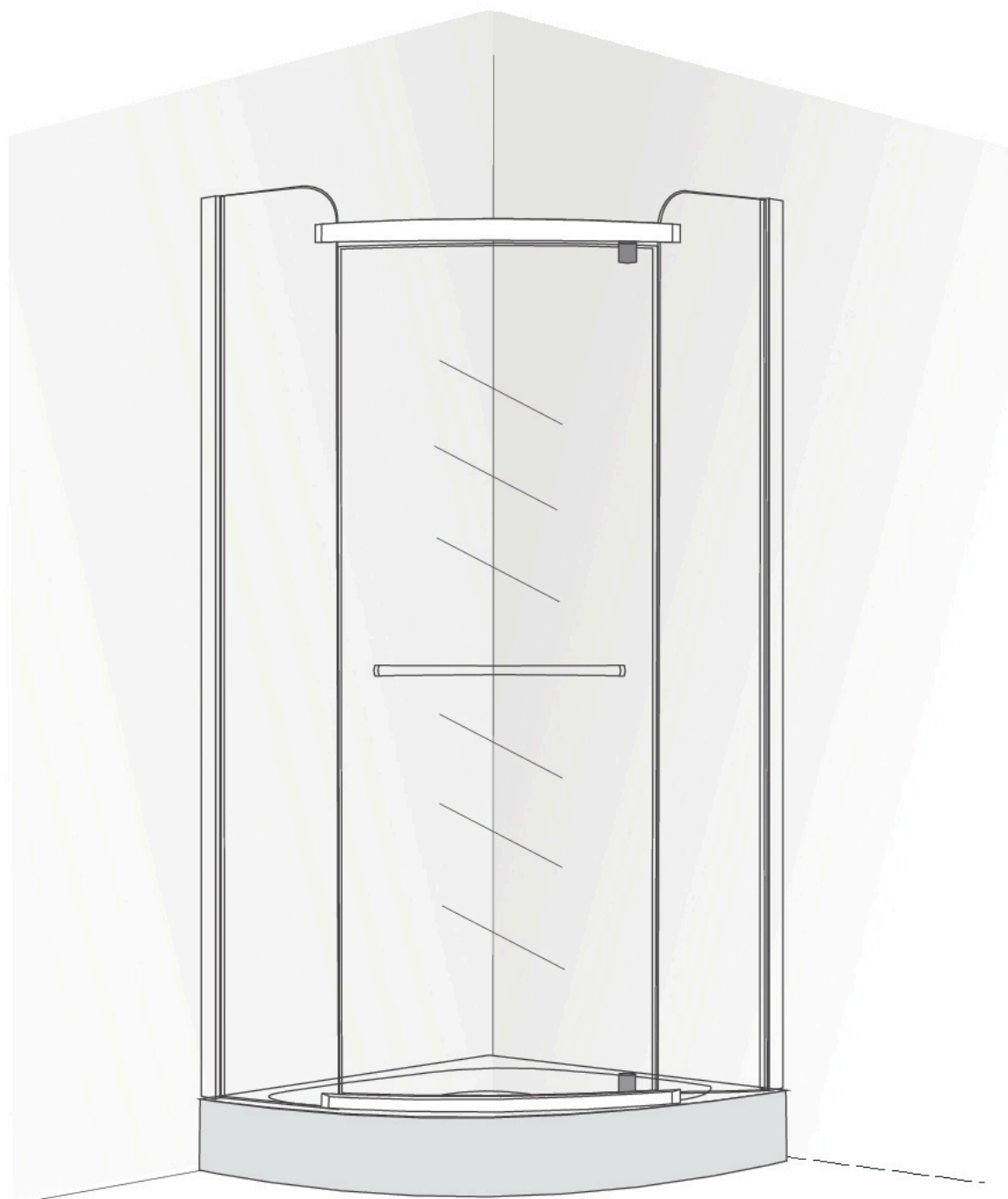


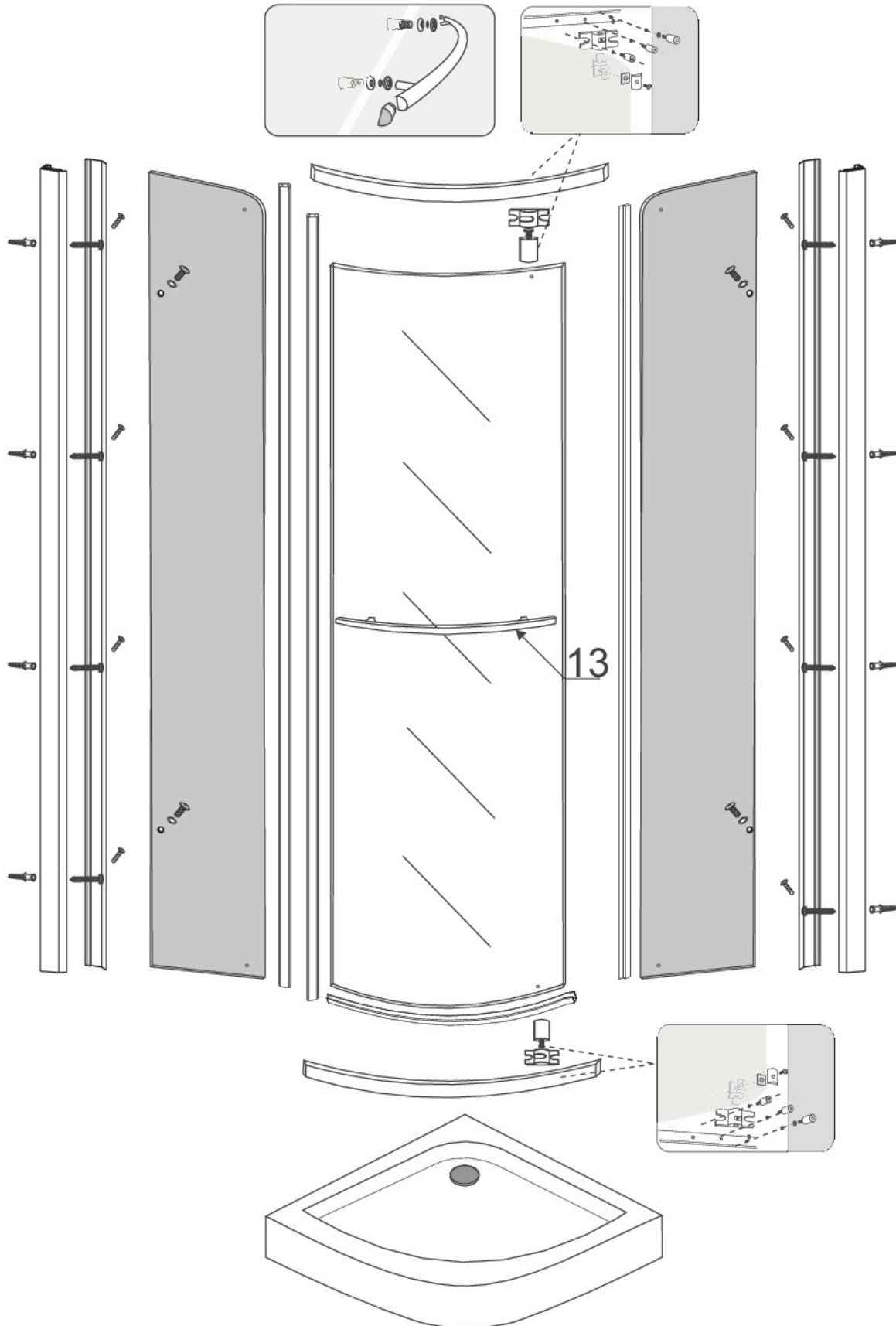
Инструкция по установке Grossman GR-7090



SIZE : 90*90*205CM

Grossman.su
продажа, установка
8(495)972-80-69

Installation instructions



Installation instructions

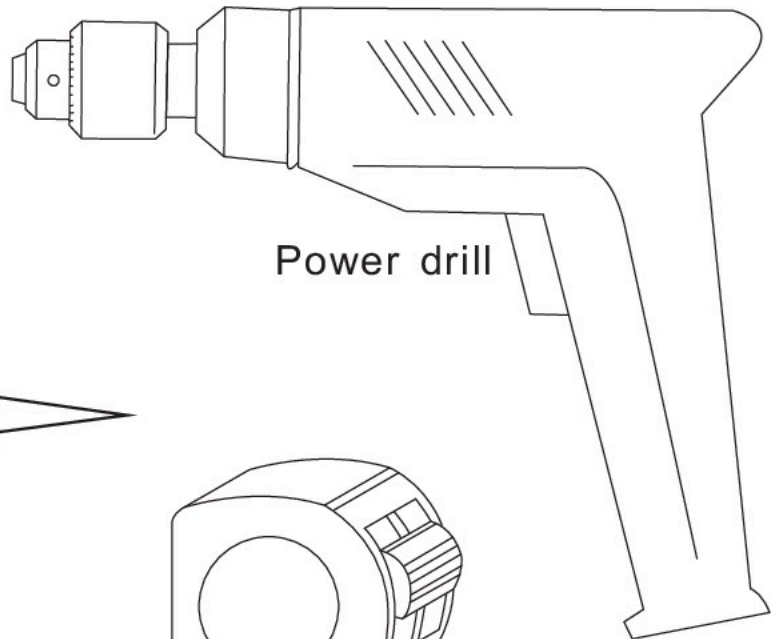
TOOLS REQUIRED(NOT SUPPLIED)

when you're ready to start,make sure that you have the following tools to hand,plenty of space and a clean dry area for assembly.

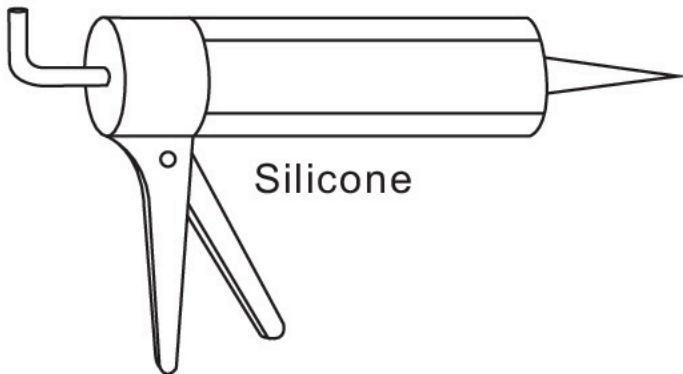
Two people are needed. Please note:although these instructions are comprehensive,We always recommend that a technically competent installer should undertake installation.



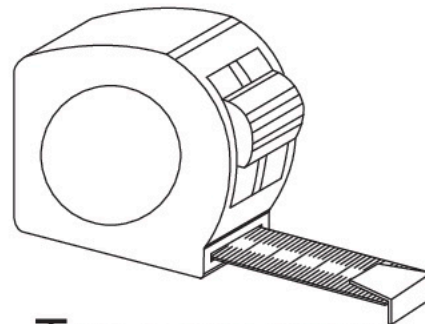
Drill bit for wall
5.5mm



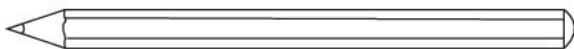
Power drill



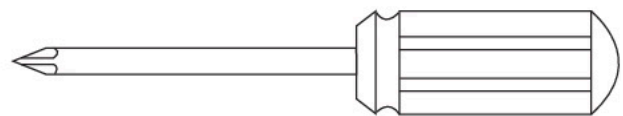
Silicone



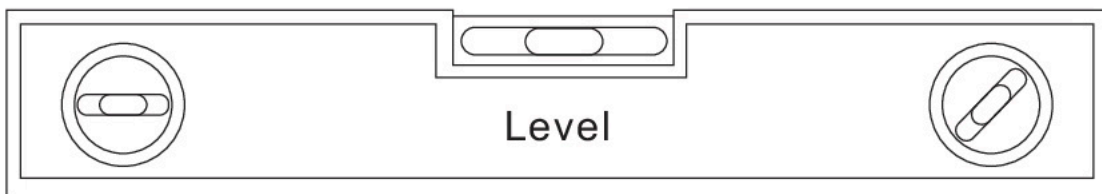
Tape measure



Pencil

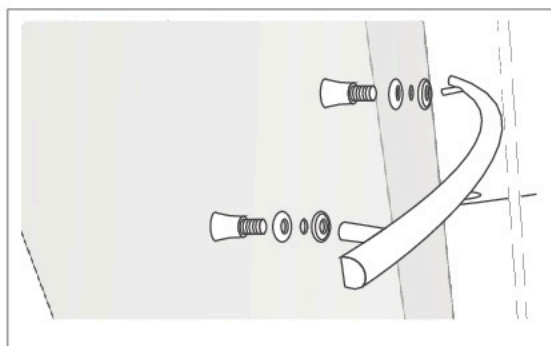
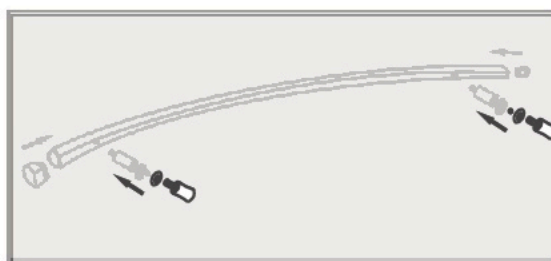
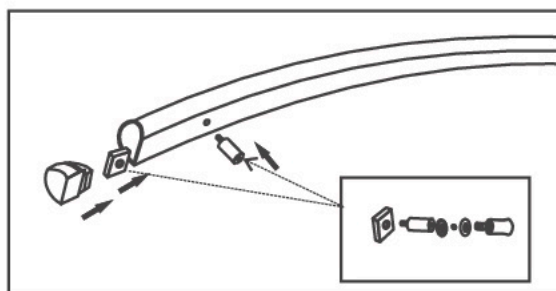
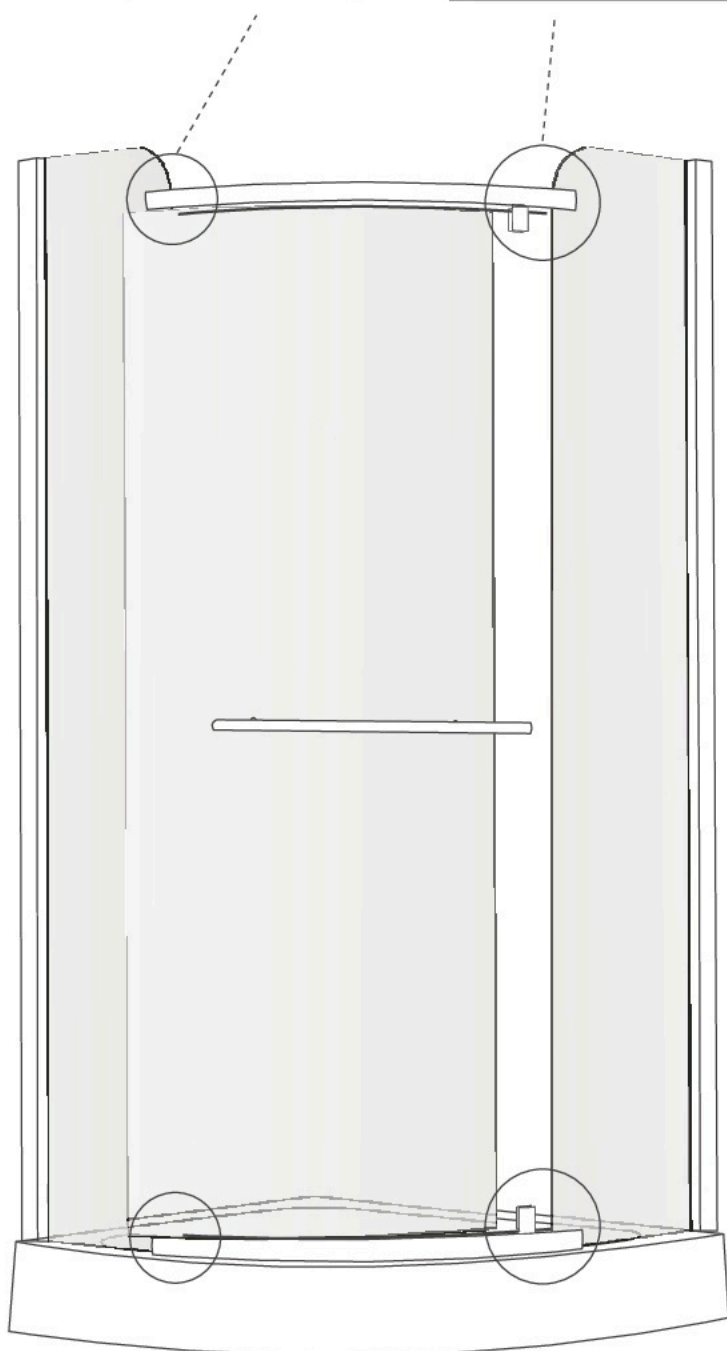
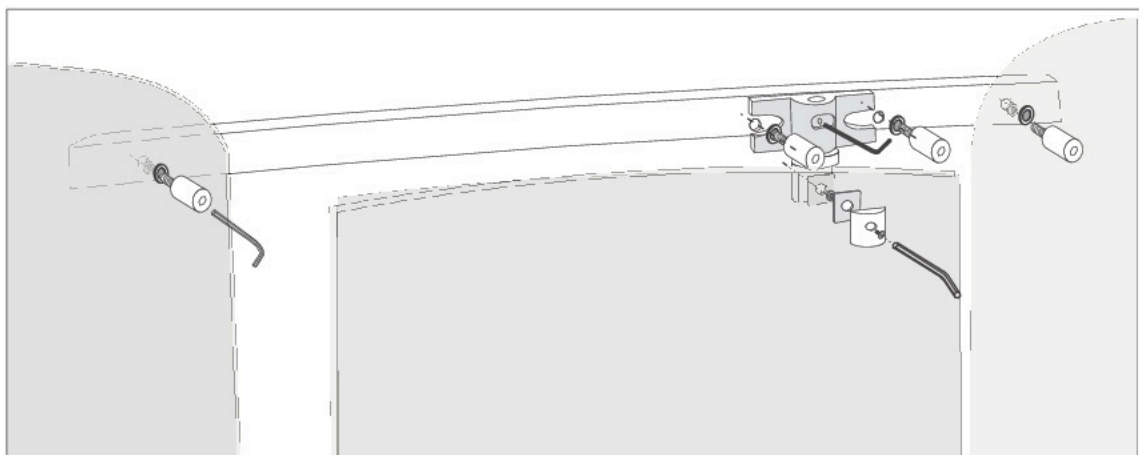


Magnetic cross head screw driver

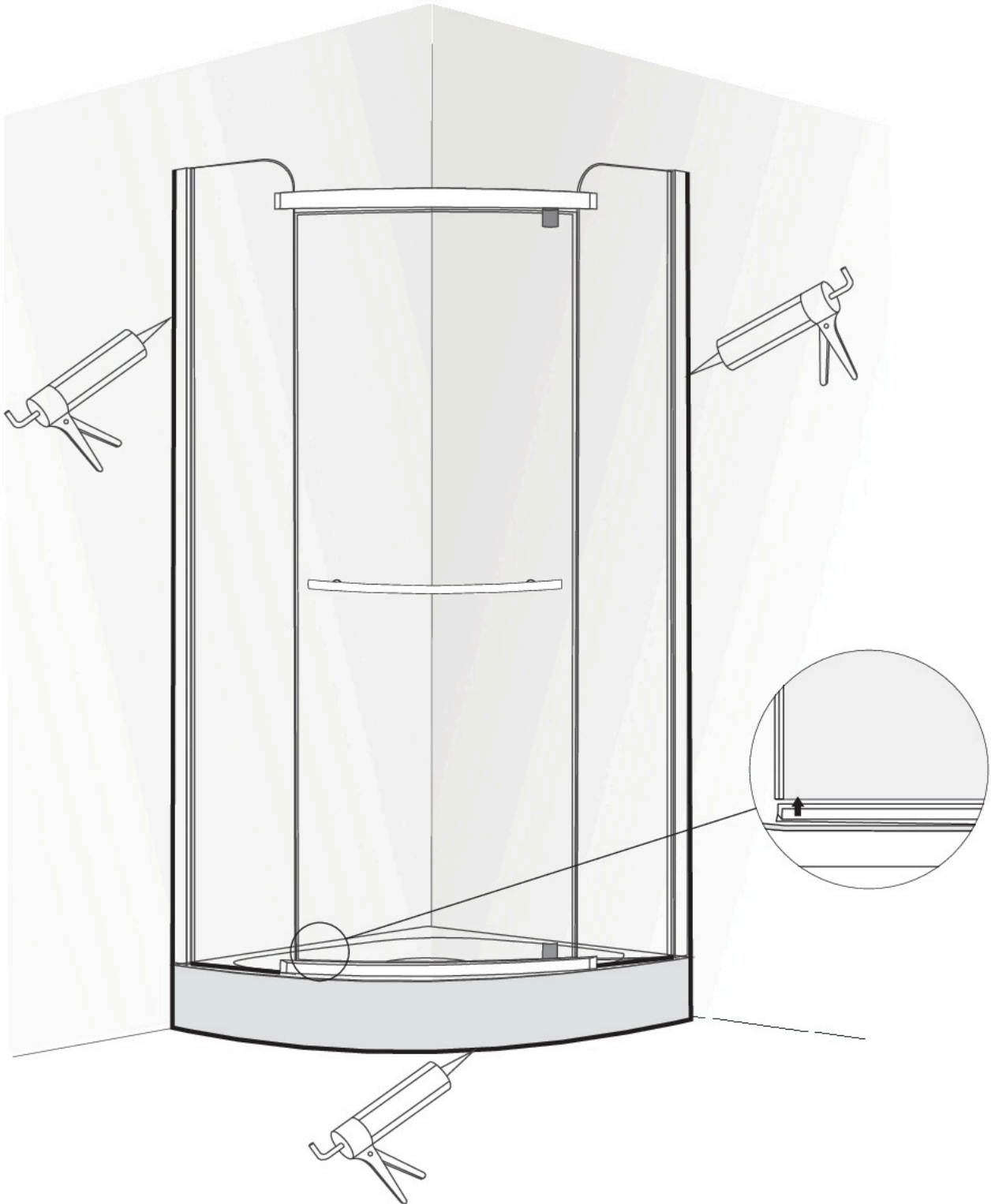


Level

Installation instructions



Installation instructions



Warning: Don't use the shower enclosure until after at least 24 hours, so that the silicon can be totally dry.