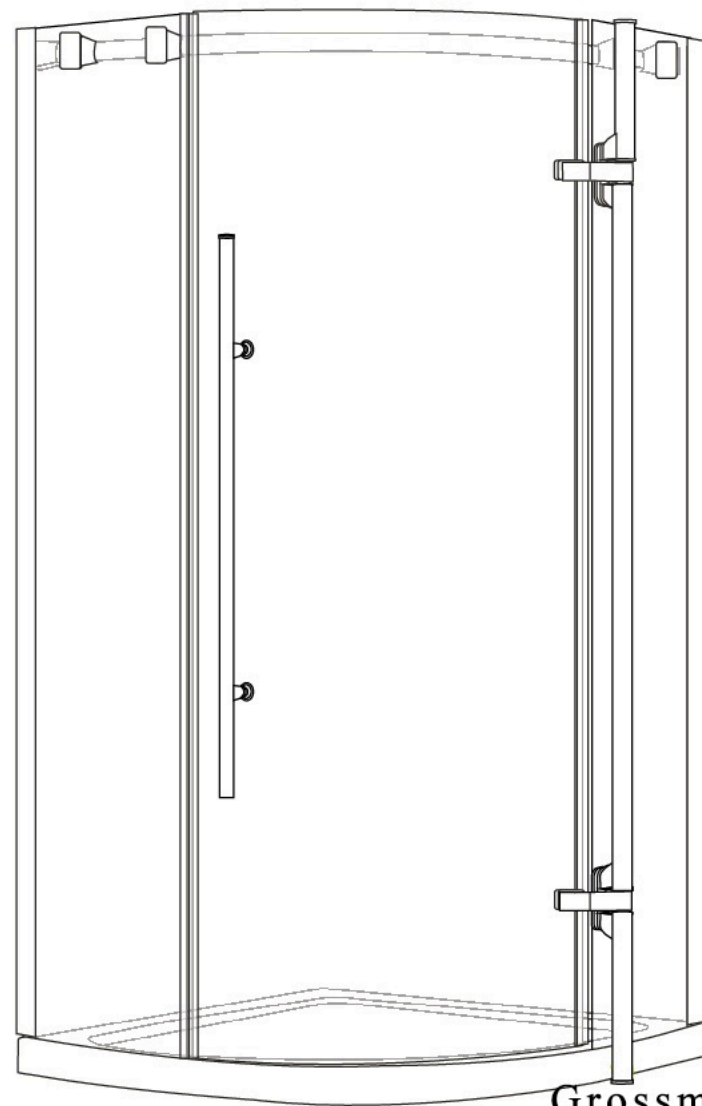


# Инструкция по установке Grossman GR-5090



Grossman.su

SIZE:80X80X205CM продажа, установка  
SIZE:90X90X205CM 8(495)972-80-69

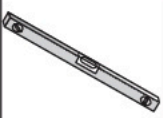







## Important Reminder

1. Please install the shower enclosure according to the instruction strictly, otherwise, it will affect the operational performance.
2. After opening the carton, please check the parts according to the part list.
3. Please handle the glass parts carefully, don't knock on the glass to avoid damage.
4. After installation completely, please use it after 24 hours.

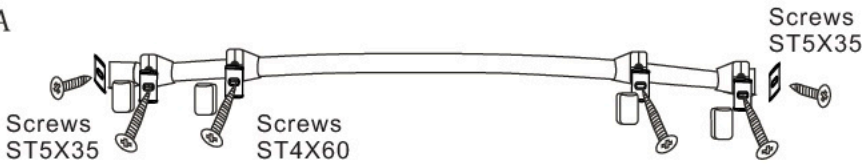
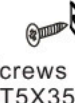


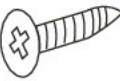














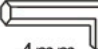





## Notice

1. Do not let children, old people or disabled people enter the room alone.
2. Do not climb or hang heavy things on the shower enclosure.
3. Do not knock and impact the glass with heavy things.
4. Caution slippery on the inside of the shower enclosure.
5. Ordinary liquid detergent should be used with a soft cloth for cleaning.
6. Apply silicone to prevent water leakage.
7. Keep the tray clean, avoid hair and sundries to jam the drain.

## Tools:

			
Spirit Level	5.5mm drill	Tape measure	Cross screw driver
			
Scissors	Silicone Gun	Pencil	Rubber mallet

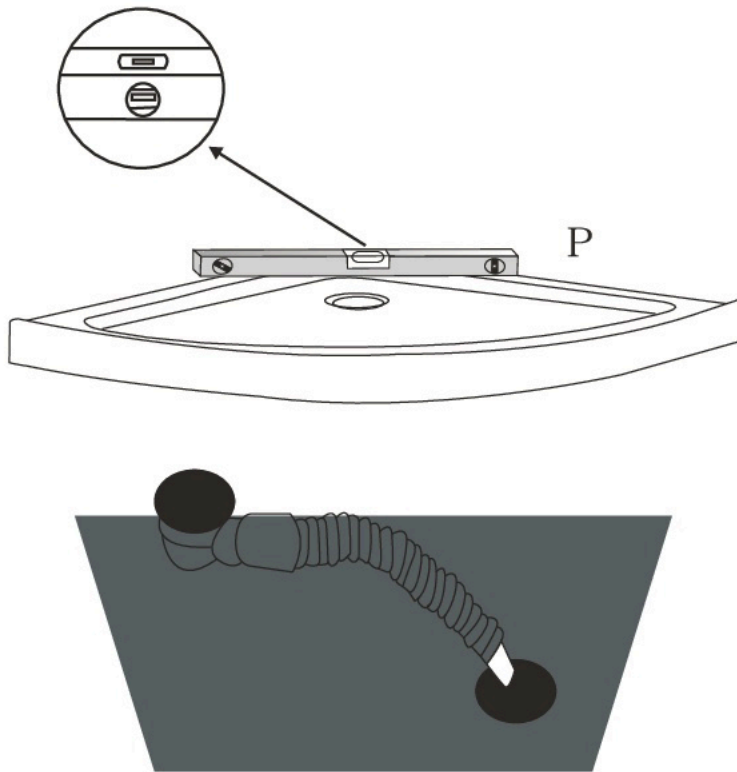
## Part list

			
<b>A</b>  Screws ST5X35	 Screws ST4X60	 Screws ST5X35	
<b>B</b>  Screws ST4X25 X8	<b>C</b>  Flathead screws ST4X25 X2	<b>D</b>  Flathead screws ST4X40 X2	<b>E</b>  Wall plug X12
<b>F</b>  M4X10 X4	<b>G</b>  Sliding Door	<b>H</b>  Fixed Glass	<b>I</b>  Fixed Glass
<b>J</b>  Wall Profile X2	<b>K</b>  Rubber Seal	<b>L</b>  Magnetic Seal X2	<b>M</b>  Glass Clip X2
<b>N</b>  Screws ST5X10 X2	<b>O</b>  Bottom Rail	<b>P</b>  Shower Tray (Available Separately)	<b>Q</b>  4mm Allen Key
<b>R</b>  Drill bit 3mm	<b>S</b>  screw cover cap X2	<b>T</b>  Rubber Seal	
<b>V</b>  Handle			
<b>W</b>  Rod			

## Installation Procedure

### STEP1:

#### Tray assembling

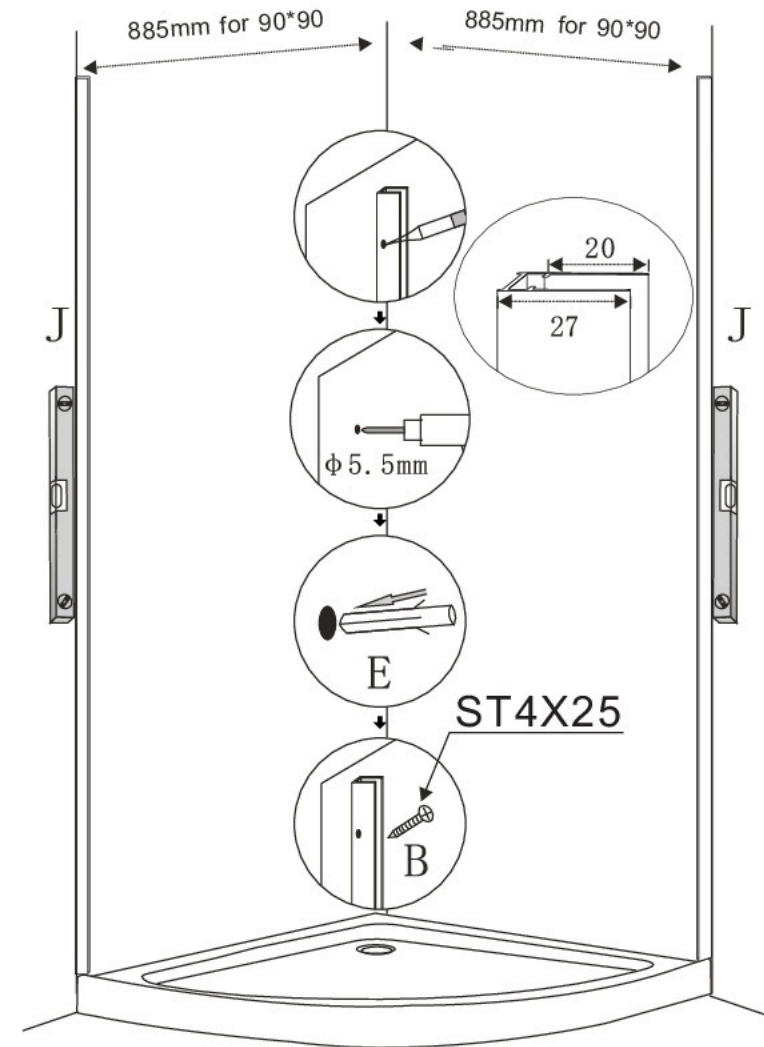


Connect the waste pipe of shower tray to the waste pipe in the floor.

- Fit the shower tray(available separately) in the required position.
- If the shower enclosure is not being installed on a shower tray, please choose a suitable flooring type to fit the enclosure to.

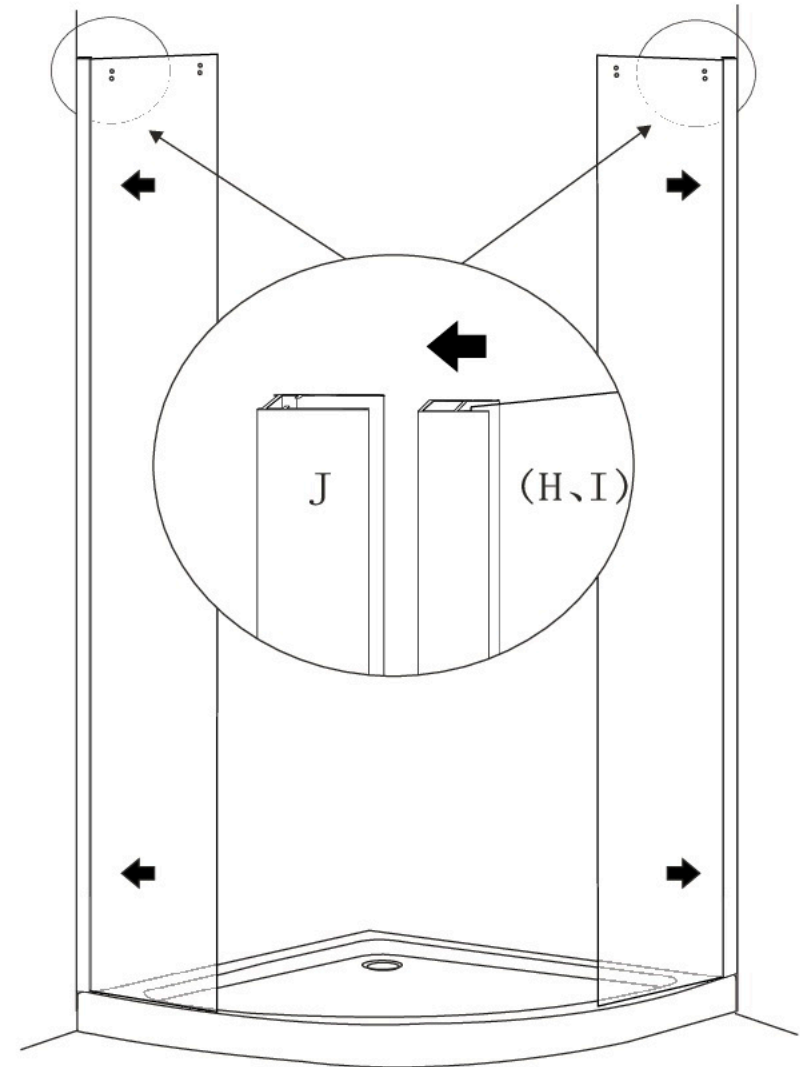
### STEP2:

#### Wall profiles assembling

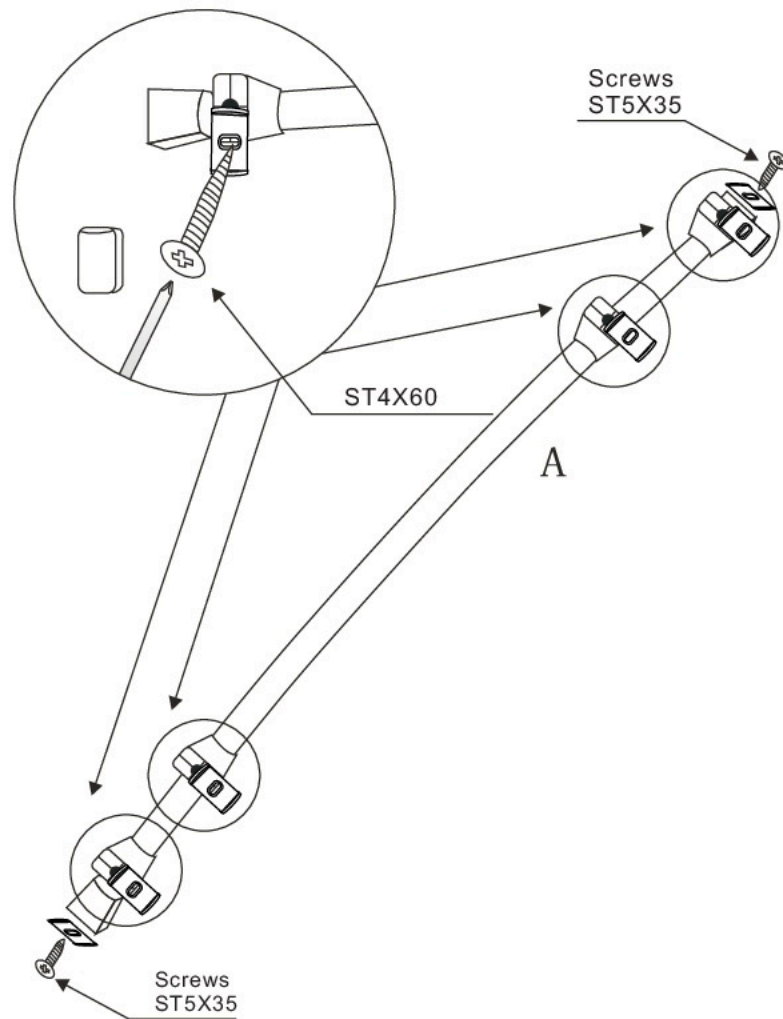


- Measure the correct distance from the corner to the required positions of the outside of the wall profiles and mark this position on the wall with a pencil.
- Position the wall profiles against these marks and use a spirit level to ensure they are vertical.
- Using the wall profiles as a template, mark the positions of the pre-drilled holes on the wall.
- Drill the positions marked using a 5.5mm drill bit.
- Use a rubber mallet to insert the wall plugs into the holes.
- Fix the wall profiles with screws 4x25mm [B].

### STEP3: Fixed glass panels Assembling

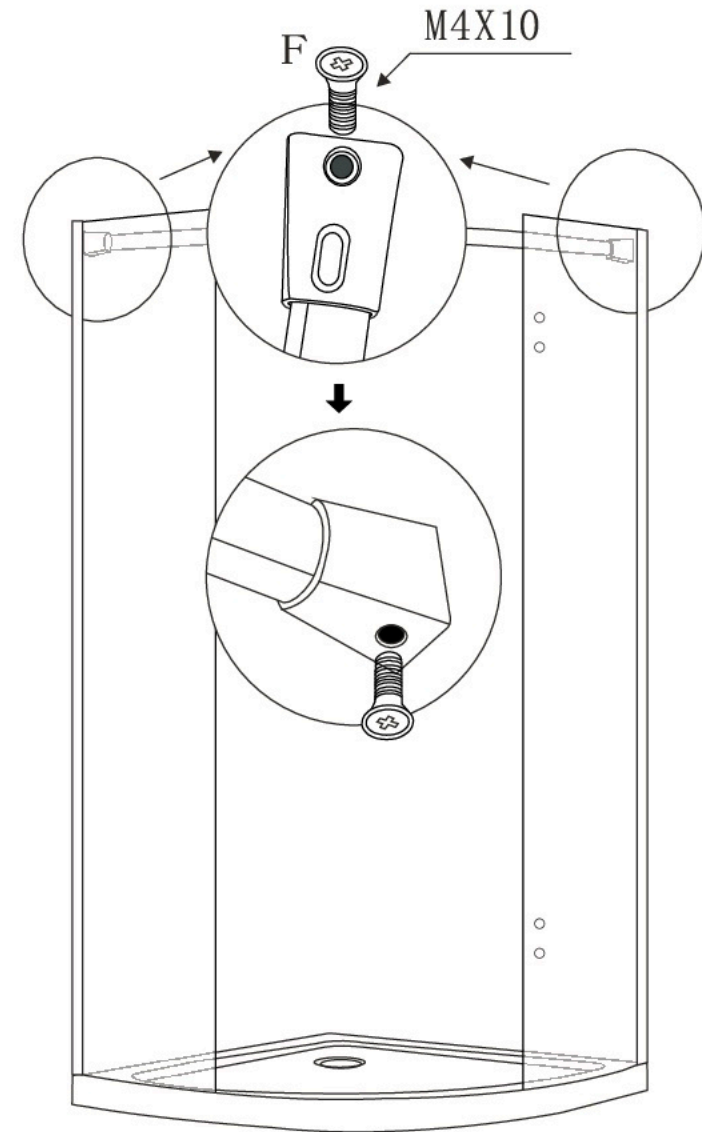


## STEP4: Fixed glass panels Assembling



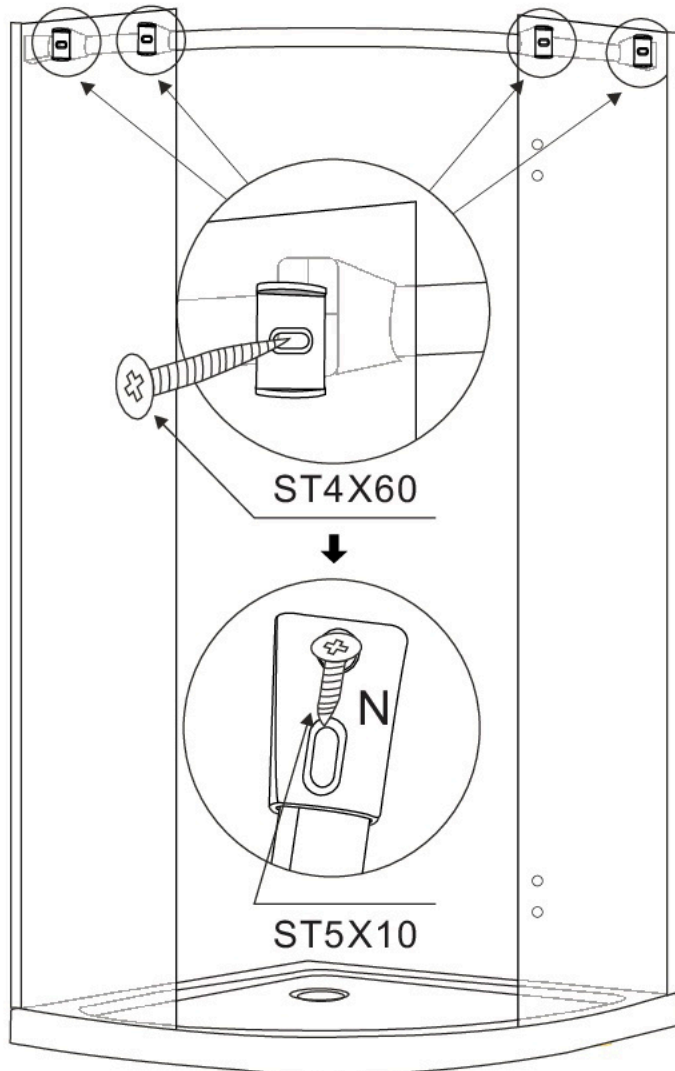
-Please take down the screws of ST4X60 and other spare parts.

## STEP5: Fixed glass panels Assembling



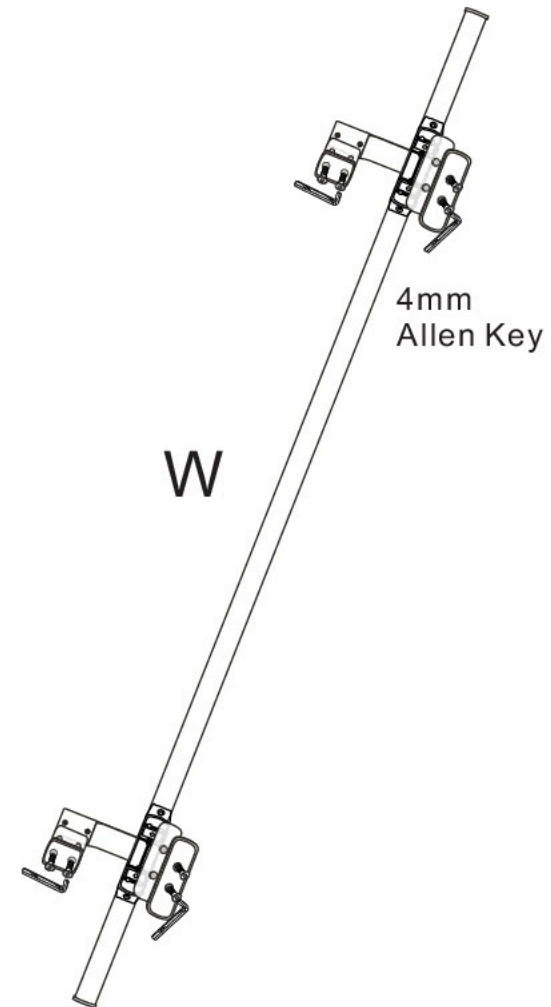
-Using screw of M4X10 to fasten the both ends bar.

## STEP6: Fixed glass panels Assembling



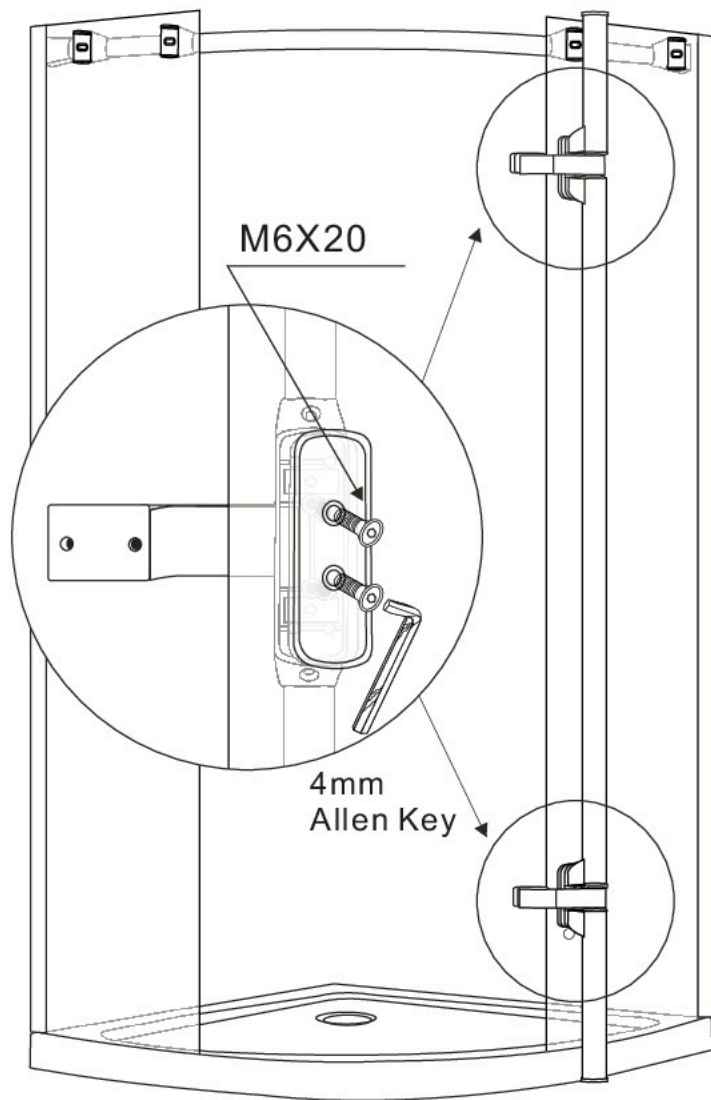
-Using screw of ST4X60 and gasket to fasten the aluminium rail via hole of glass

## STEP7: Rod installation



-Please take down the screws of 4pcs M6X14 and 4pcs M6X20. Attention please; Don't lose the gasket!

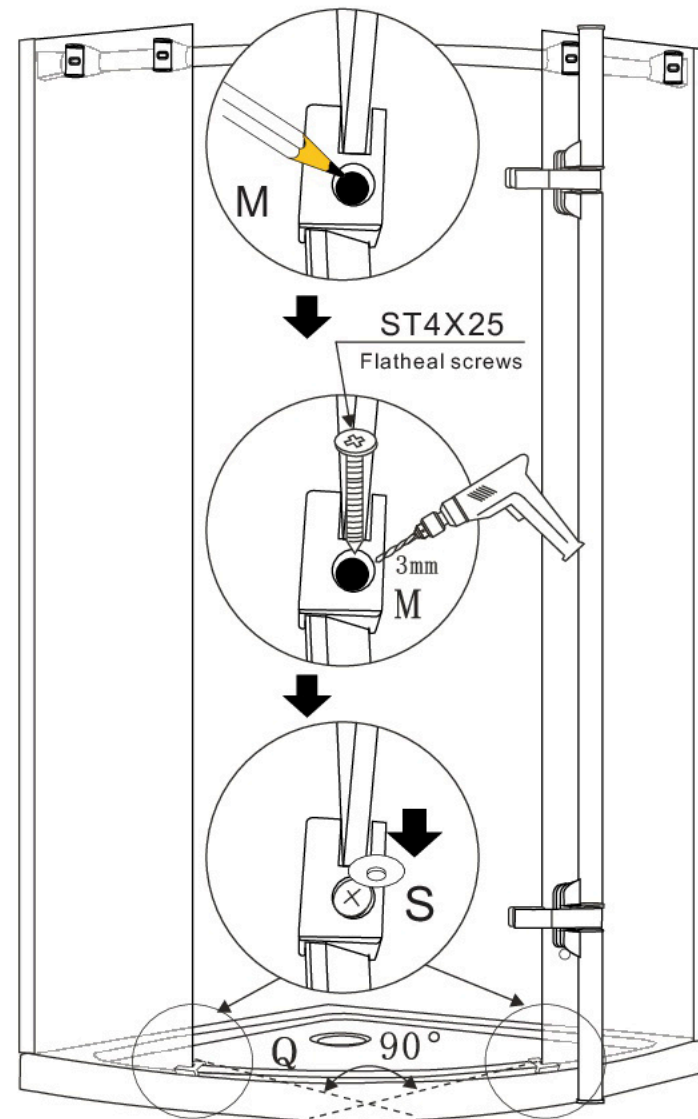
## STEP8: Rod installation



-Please using the screw of M6X20 and gasket to fasten the draw bar via hole of glass.

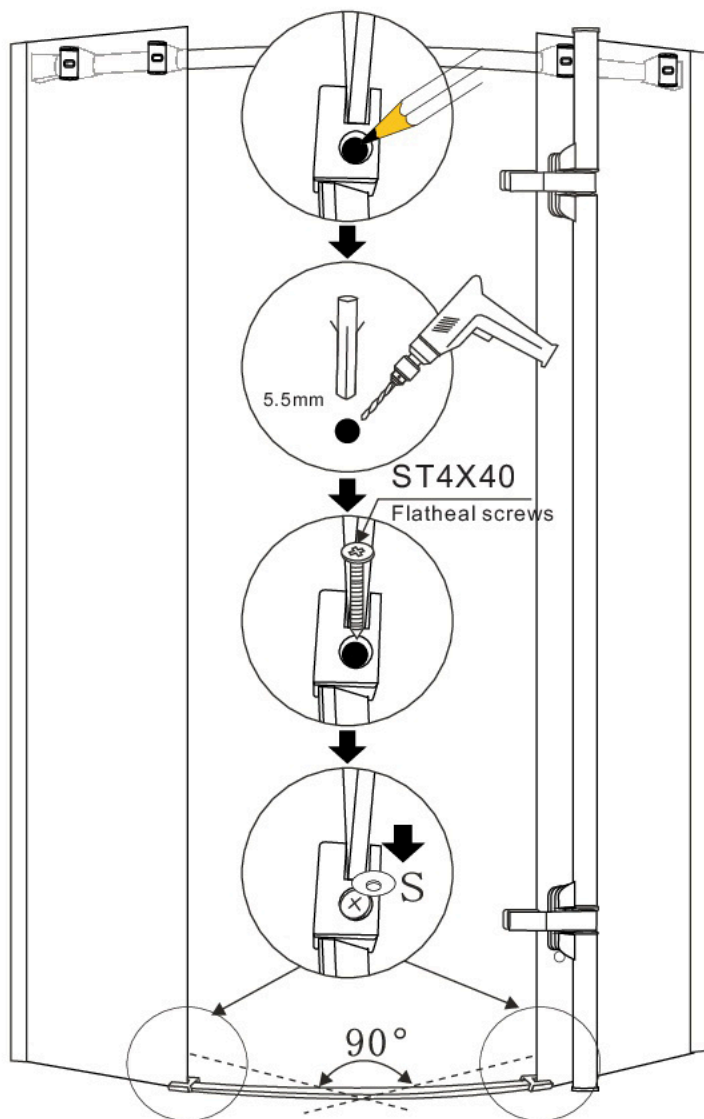
## STEP9: Bottom Rails Assembling

Option 1: The shower enclosure is installed on the shower tray.



## STEP9: Bottom Rails Assembling

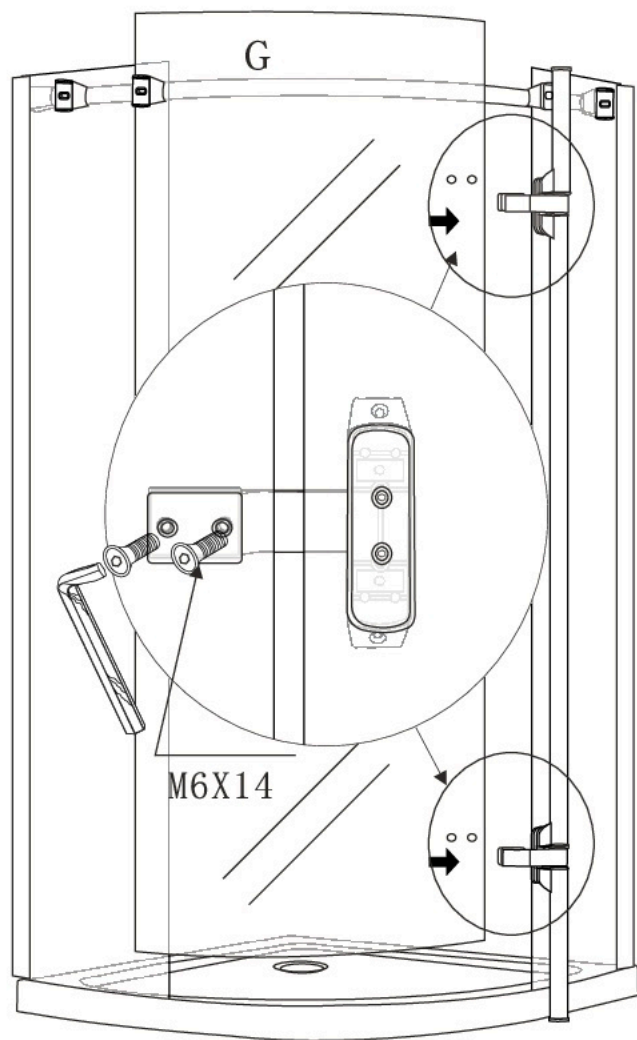
**Option 2: The shower enclosure is installed on the floor.**



- Insert the glass clips [O] onto the fixed glass panels.
- Insert the bottom rails into the glass clips [O].
- Make sure the glass clips and the bottom rails be in level with the edge of shower tray.
- Use a pencil to mark the positions of the pre-drilled holes on the shower tray.
- Remove the glass clips, bottom rails, and drill the marked positions with a 3mm drill bit.  
(Note: If the shower enclosure is not installed on the shower tray, but on the floor, a 5.5mm drill bit should be used.)
- Put the glass clips, bottom rails back to the position, and line up the holes with the holes drilled. Fix them with flathead screw 4x25mm [C]. Put the screw cover caps on.  
(Note: If the shower enclosure is not installed on the shower tray, but on the floor, the wall plugs should be used before fixing the flathead screws 4x40mm [D] )

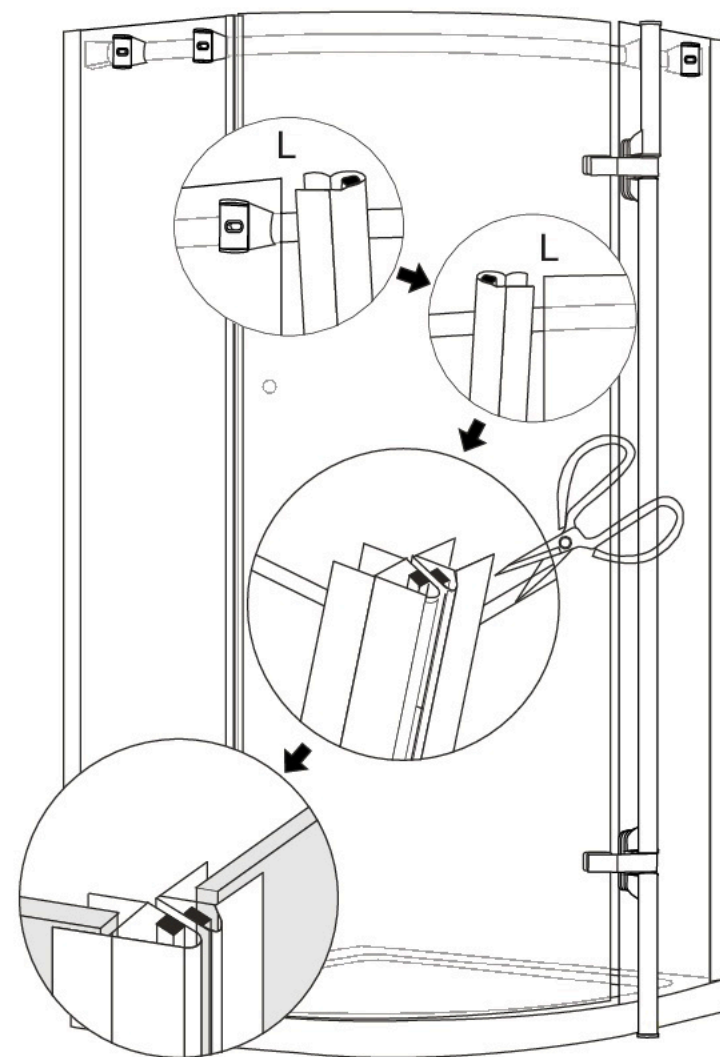


## STEP10: installation method of open door



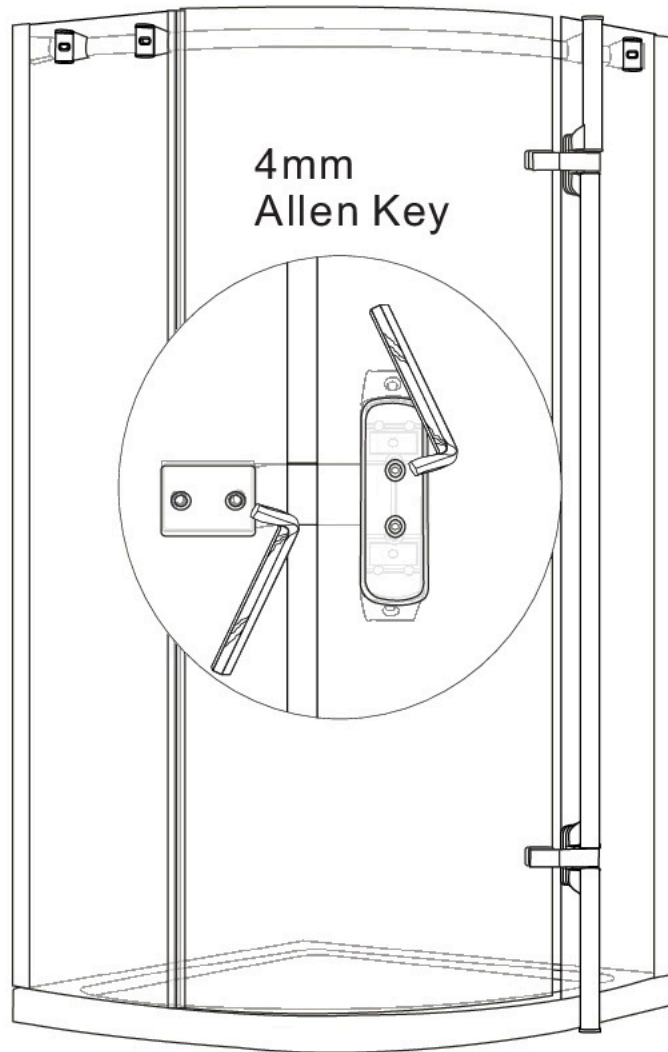
-Using screw of M6X14 and gasket to fasten the draw bar via hole of glass

## STEP11: Magnetic Seals Assembling



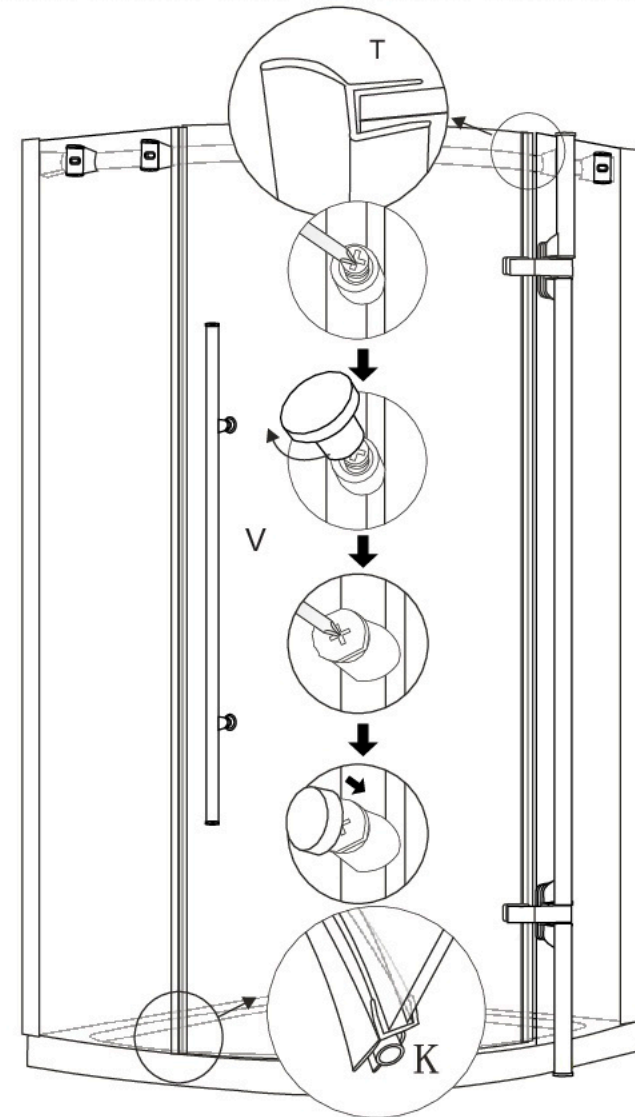
-Push the magnetic seals 「L」 onto the sliding doors. Cut into required length.

## STEP12: Sliding Doors Adjustment



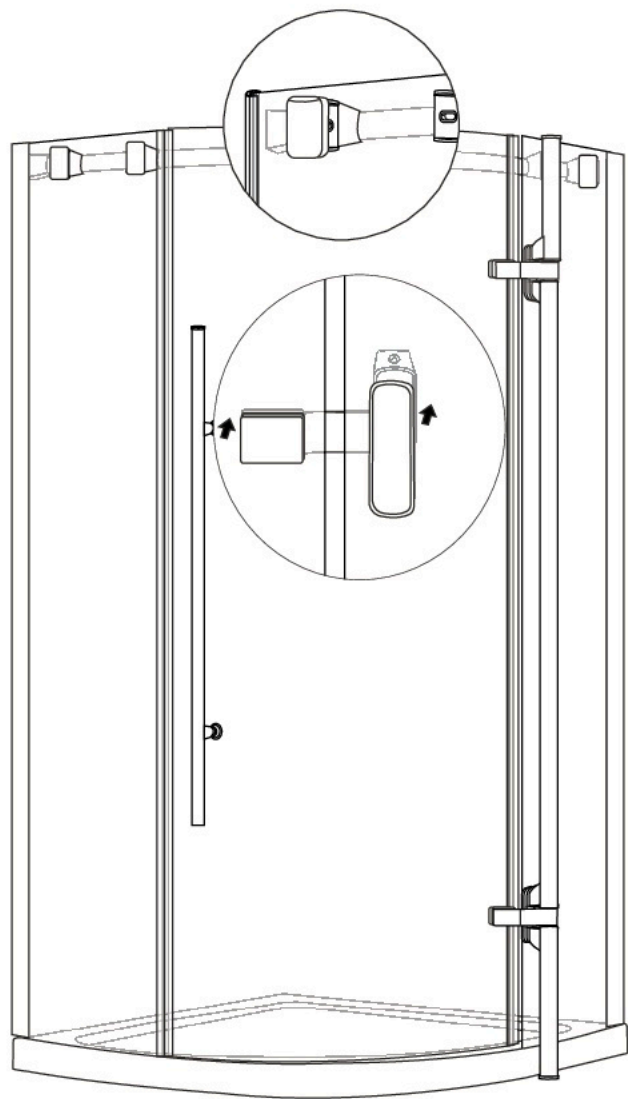
- Using 4mm allen ken to fixate the bolt,then adjust the screw with wrench till the magnetic seal fixed well.
- Fastening the screw finally

## STEP13: Rubber Seals and Handles Assembling



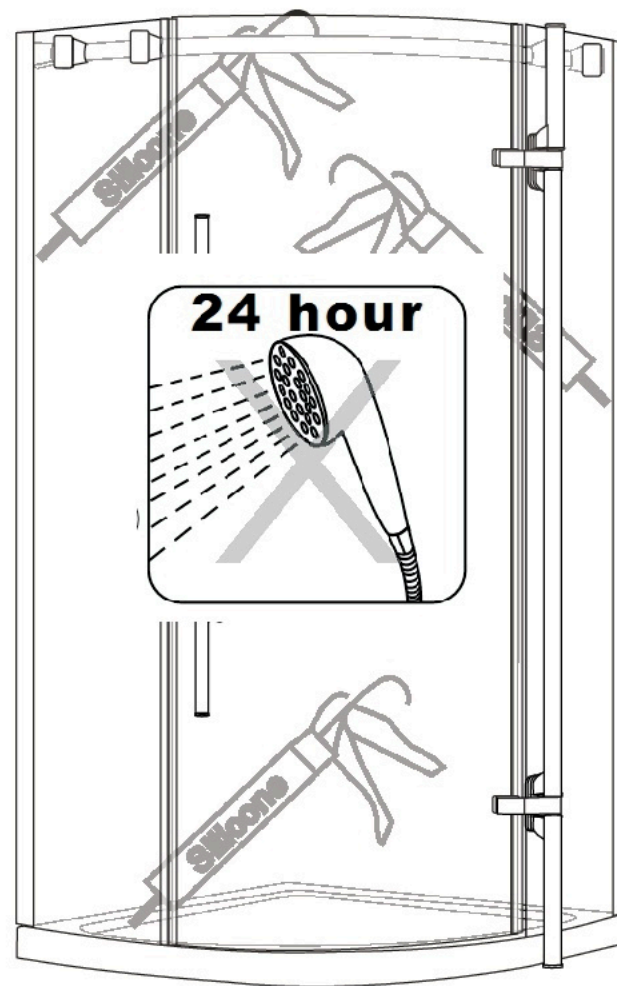
- Push the rubber seals [K] onto the fixed glass panels and sliding doors. Cut into required length.
- Use the cross screw driver to assemble the handles.

## STEP14: Cover Caps Assembling



-Put the cover caps for the rails and rollers on.

## STEP15: Silicone Application



- Apply silicone sealant to all joints between wall profiles and tray.
- Do not use the enclosure for 24hours, to allow the silicone to dry completely.