

## Technical Data

### KLUDI BALANCE

electronic controlled basin mixer  
DN 15

Ref.:  
5220091

Finishes:  
91 white/ chrome

#### Product description

Manufacturer KLUDI GmbH & Co. KG  
Typ: KLUDI BALANCE  
Electronic controlled basin mixer DN 15  
Ref.: 5220091

basin mixer DN 15

electronic controlled

electric power supply via 230 V main adapter

single hole mounted

mixing shaft with temperature handle

optical object registration

aerator M24

protected against back flow

flow rate at 3 bar = 7,6 l/ min.

flexible hoses G 3/8 DVGW approved

with integrated back flow preventer

rapid installation set

activation optoelectrical

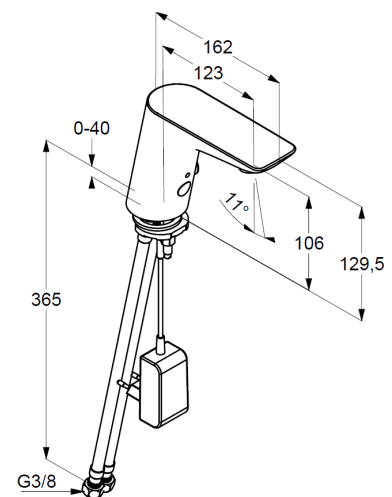
maximum water run- time 2 minutes

safety class IP65

Product picture



Dimensional drawing



Flow rate diagram

