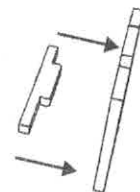
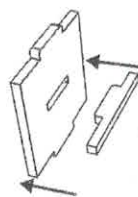
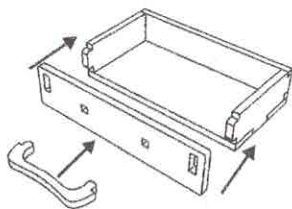
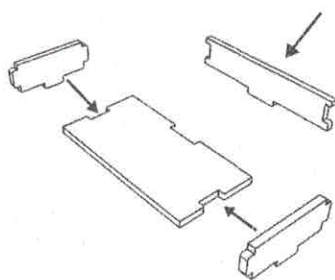
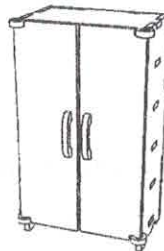
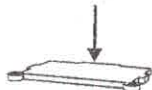
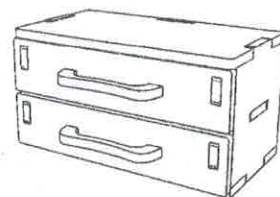
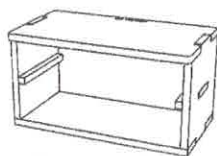
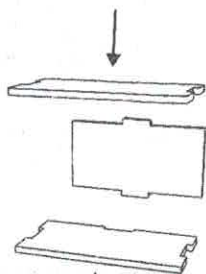


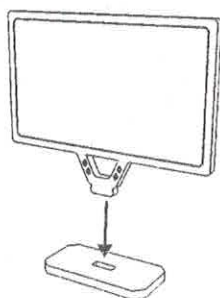
KHMI-1
KHMI-3
KHMI-4



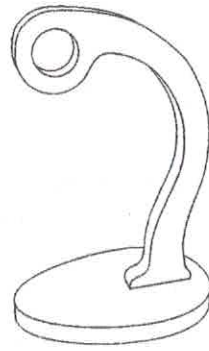
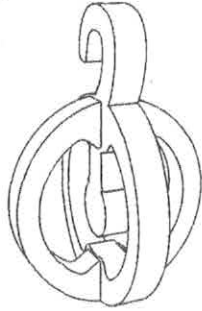
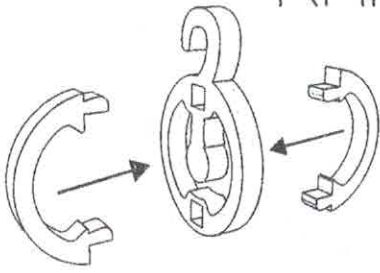
KHMI-2



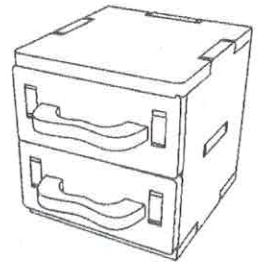
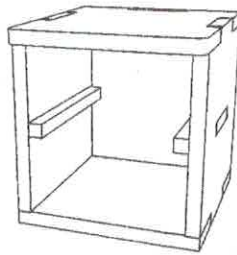
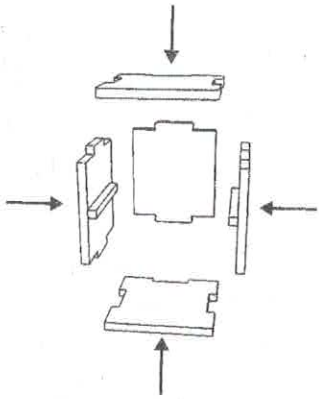
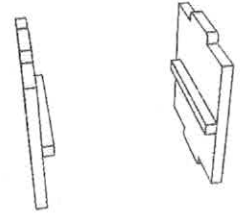
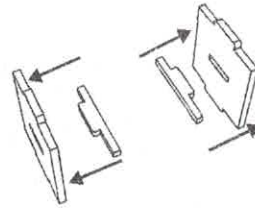
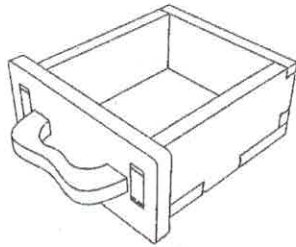
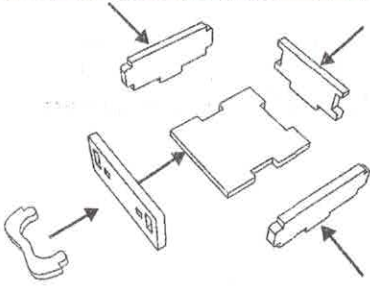
KHMI-1



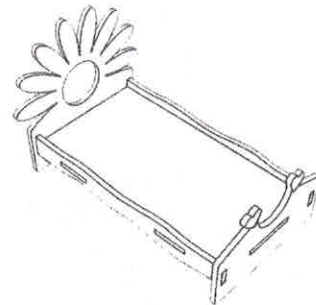
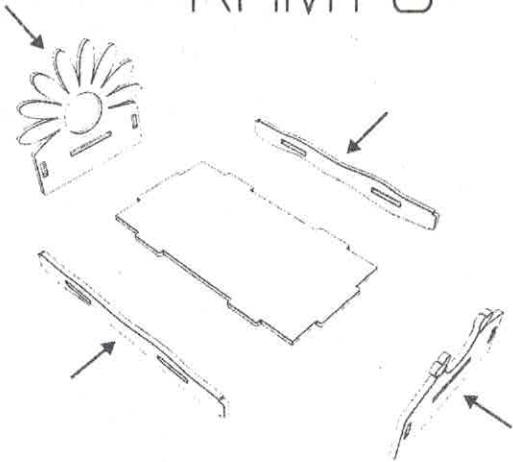
KHMI-4



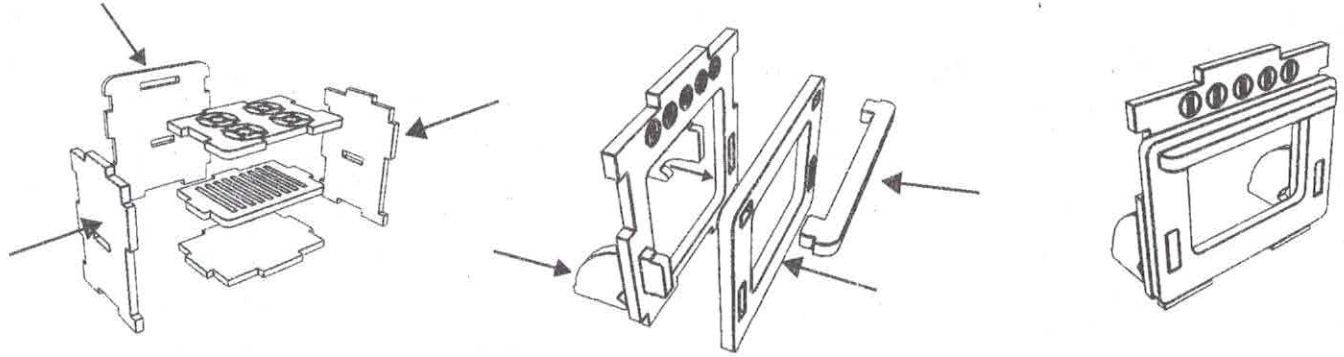
KHMI-1



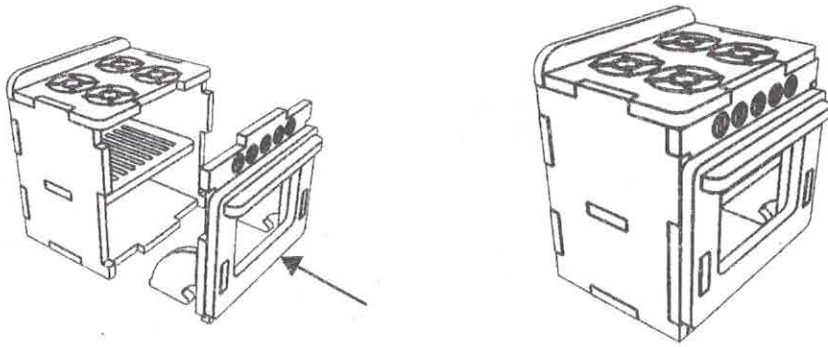
KHMI-5



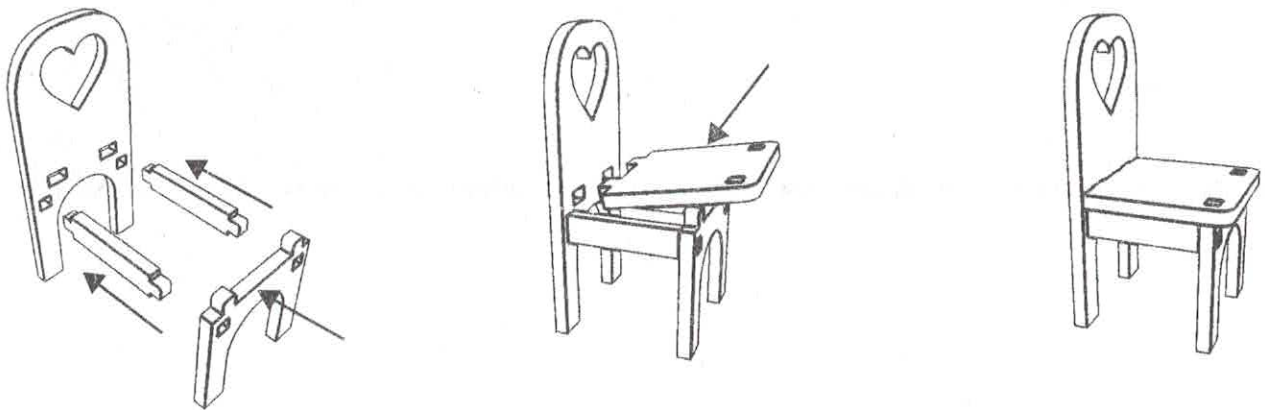
KHM2-2 KHM2-3



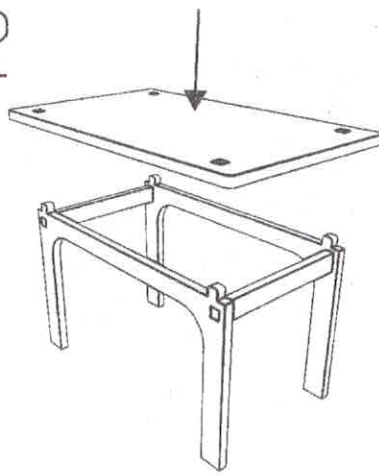
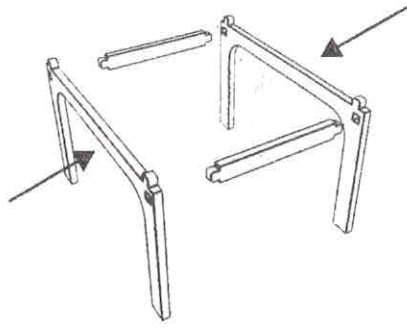
KHM2-4



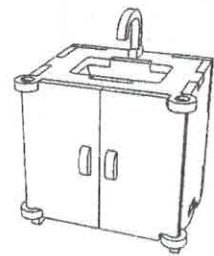
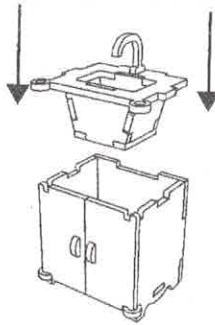
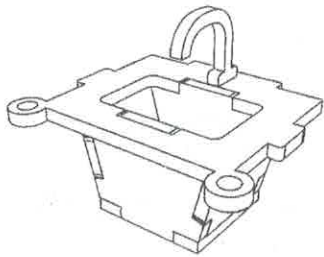
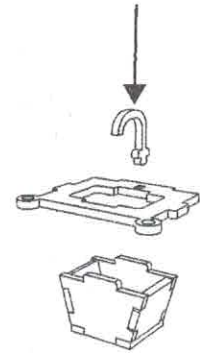
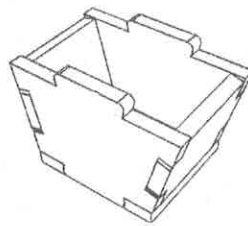
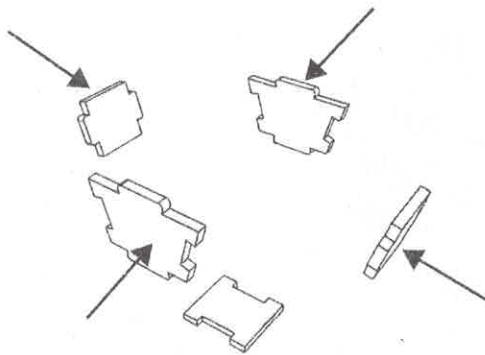
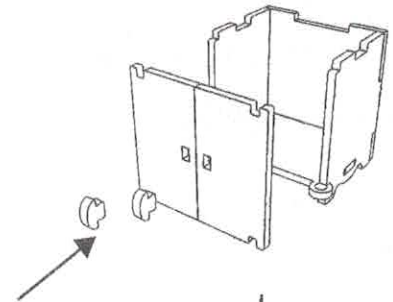
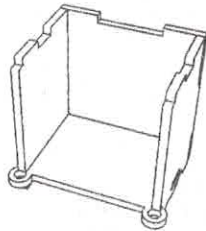
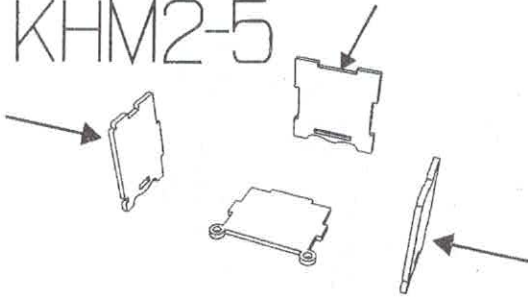
KHM2-1



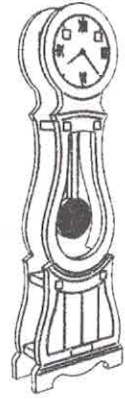
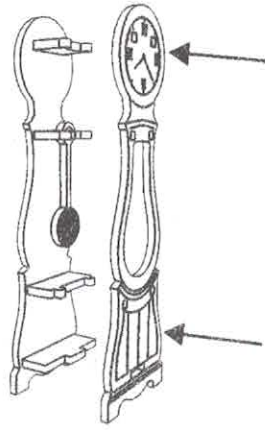
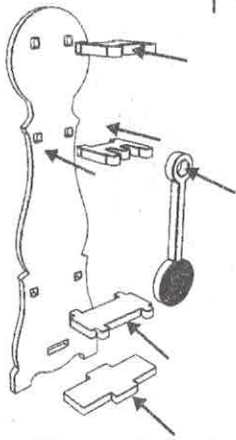
KHM2-1 KHM2-2



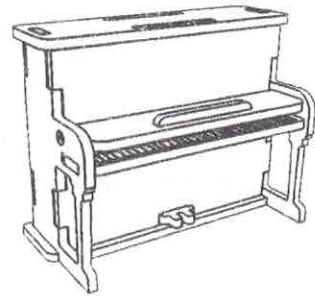
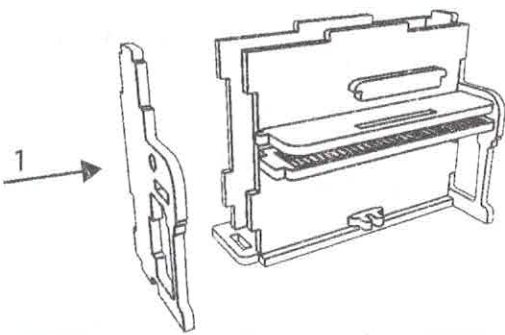
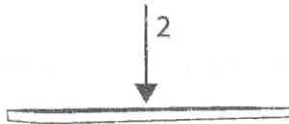
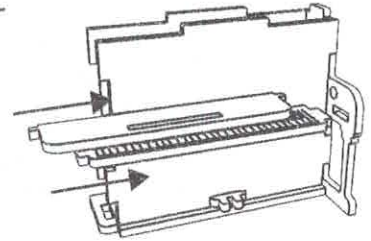
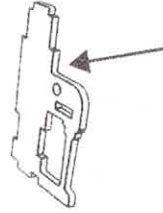
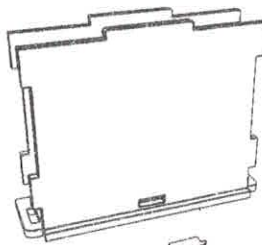
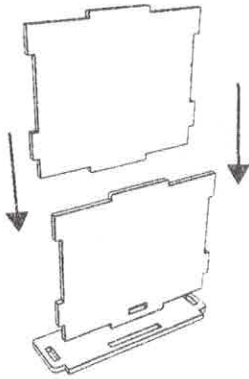
KHM2-5



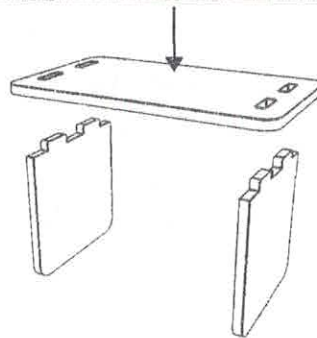
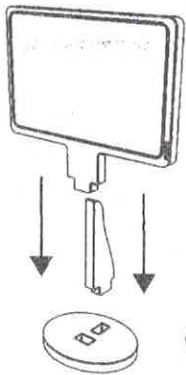
KHM3-1



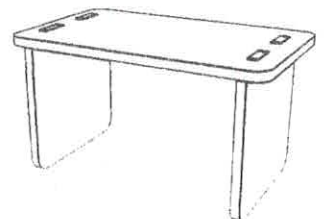
KHM3-2



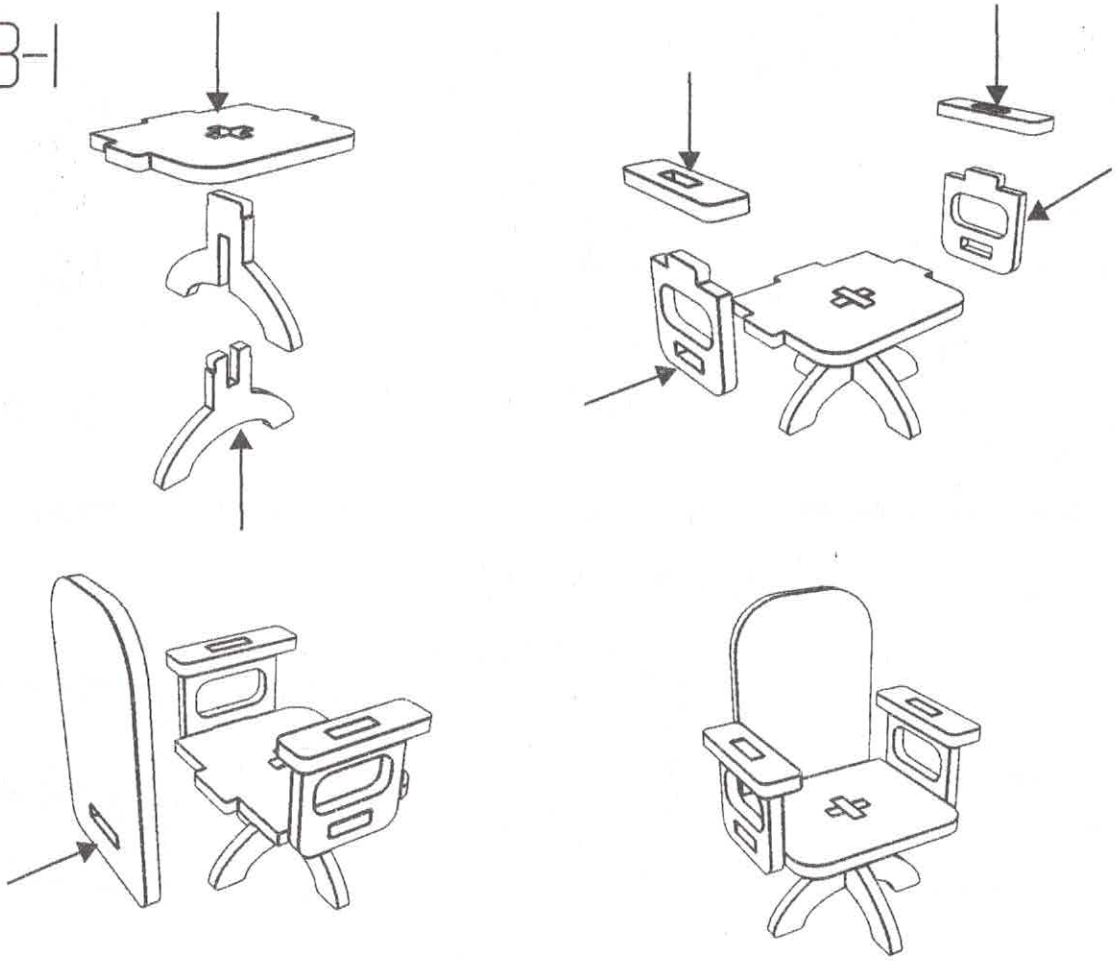
KHM3-1



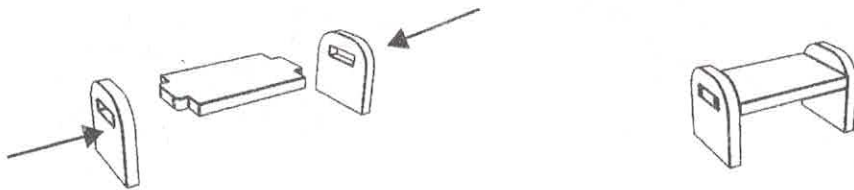
KHM3-3



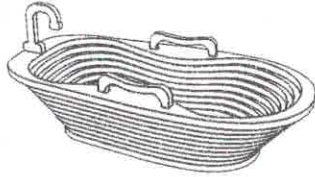
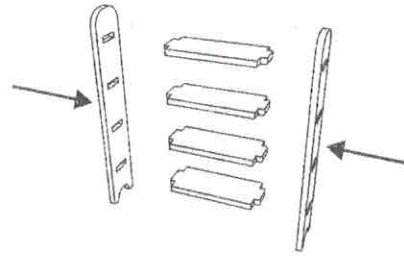
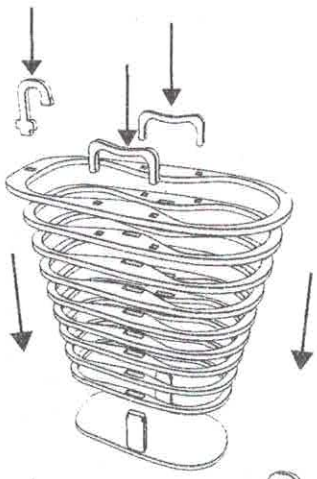
KHM3-I



KHM3-I

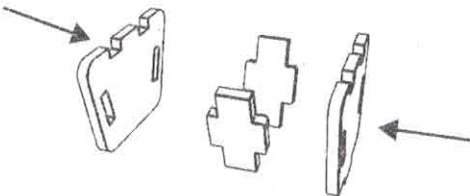
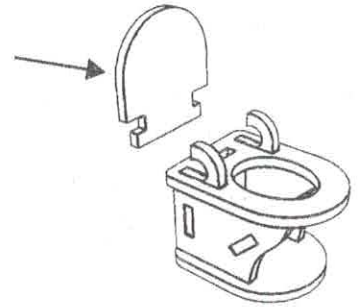
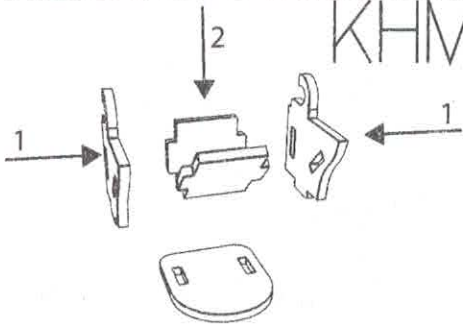


KHM4-1

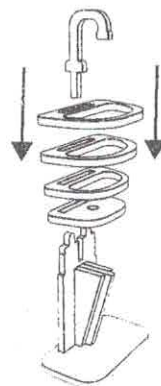
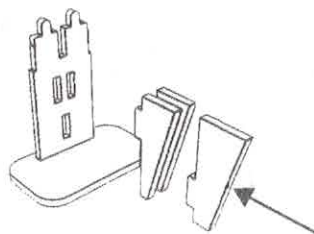
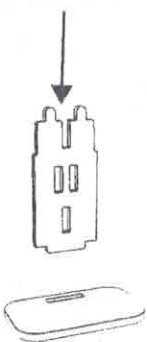


KHM4-3
KHM4-4
KHM4-5

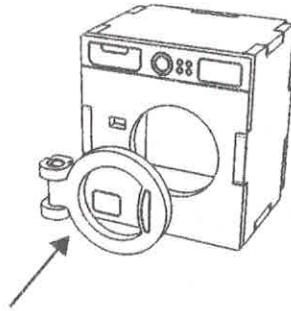
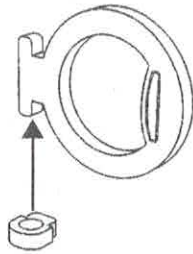
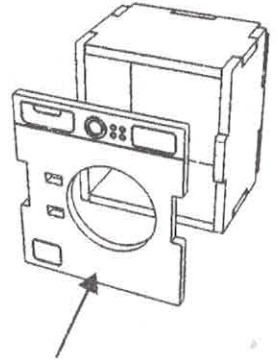
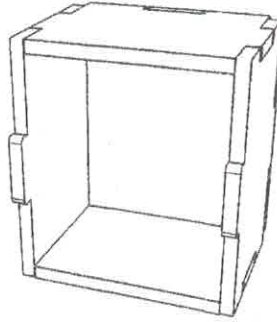
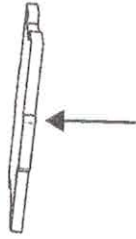
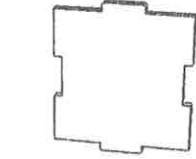
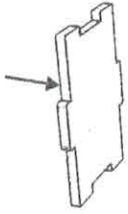
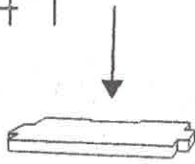
KHM4-2



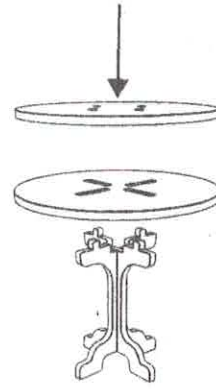
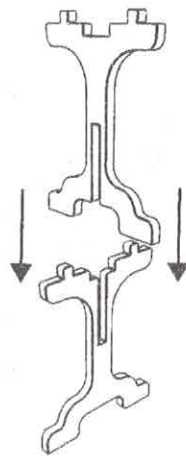
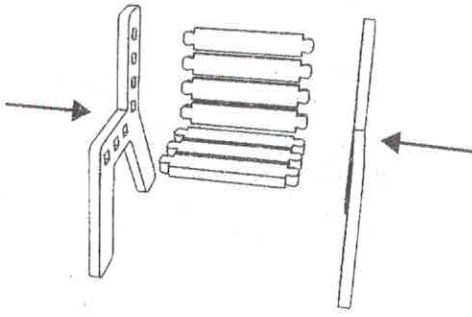
KHM4-2



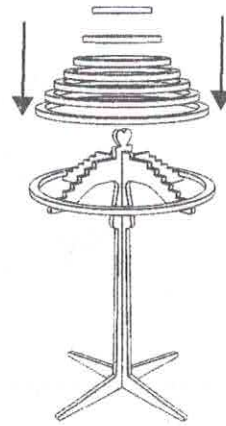
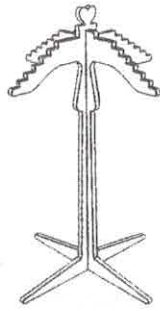
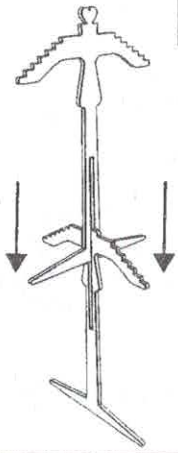
KHM4-1



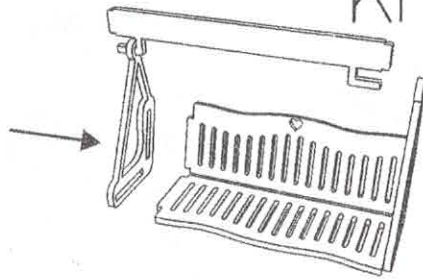
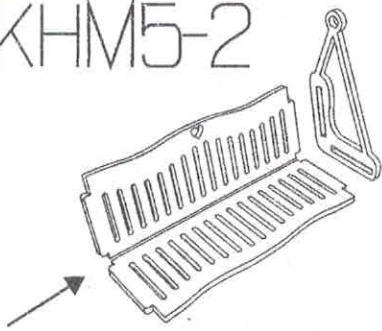
KHM5-1 KHM5-5



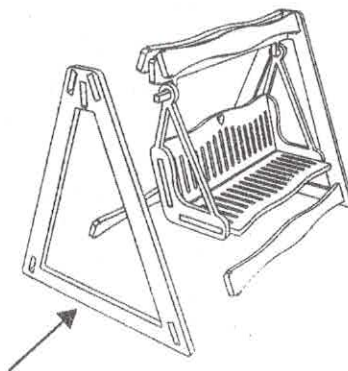
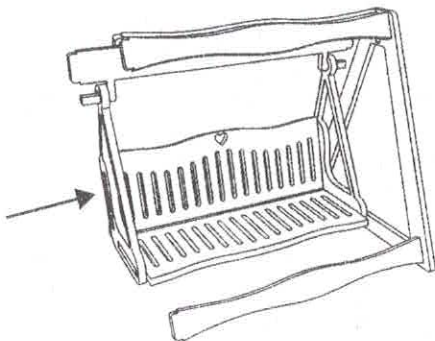
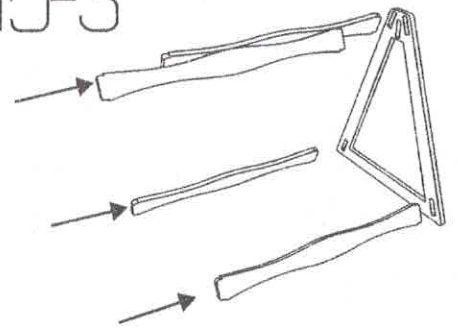
KHM5-5 KHM5-6



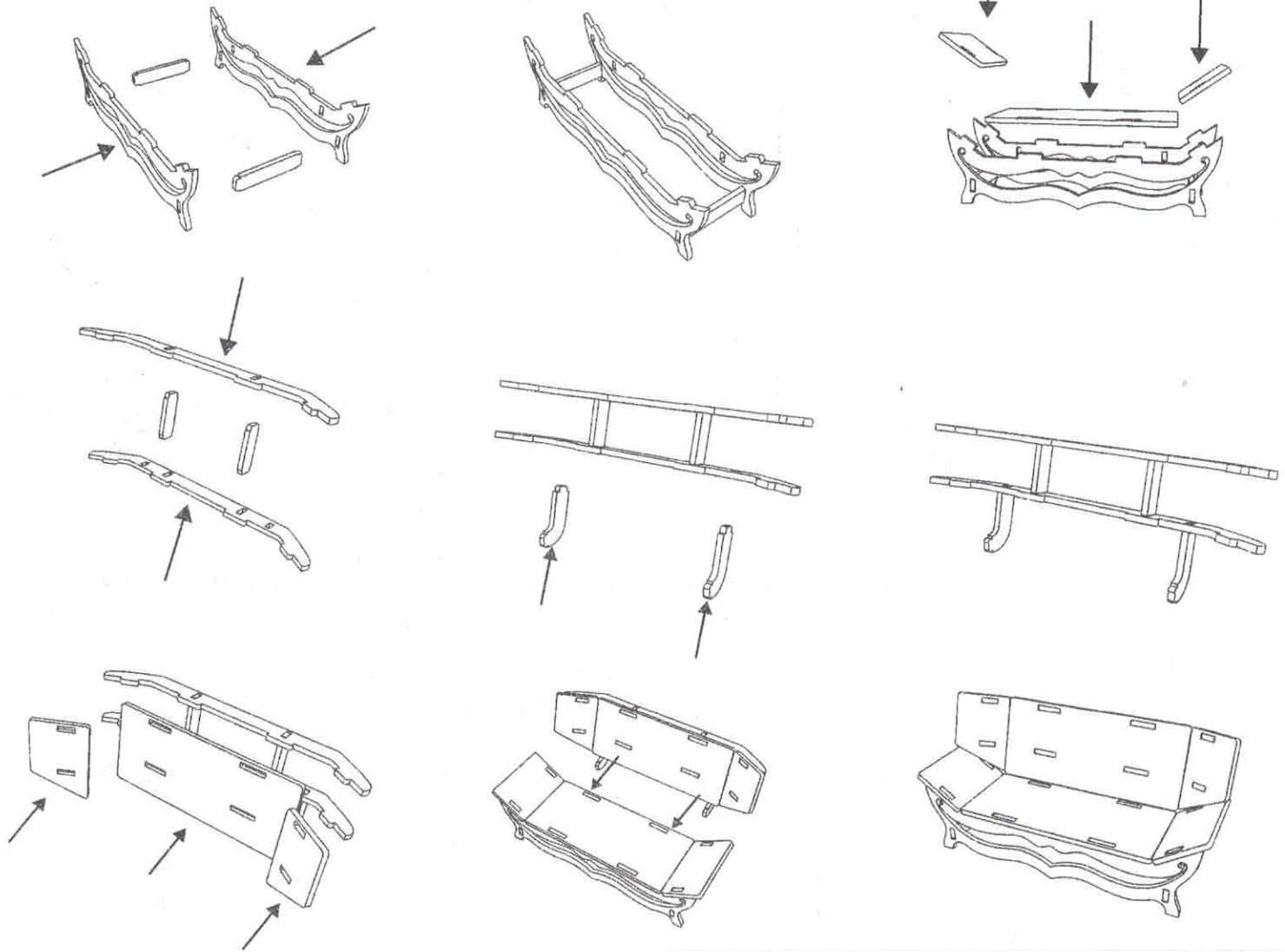
KHM5-2



KHM5-3



KHM5-4 KHM5-7



KHM5-8

