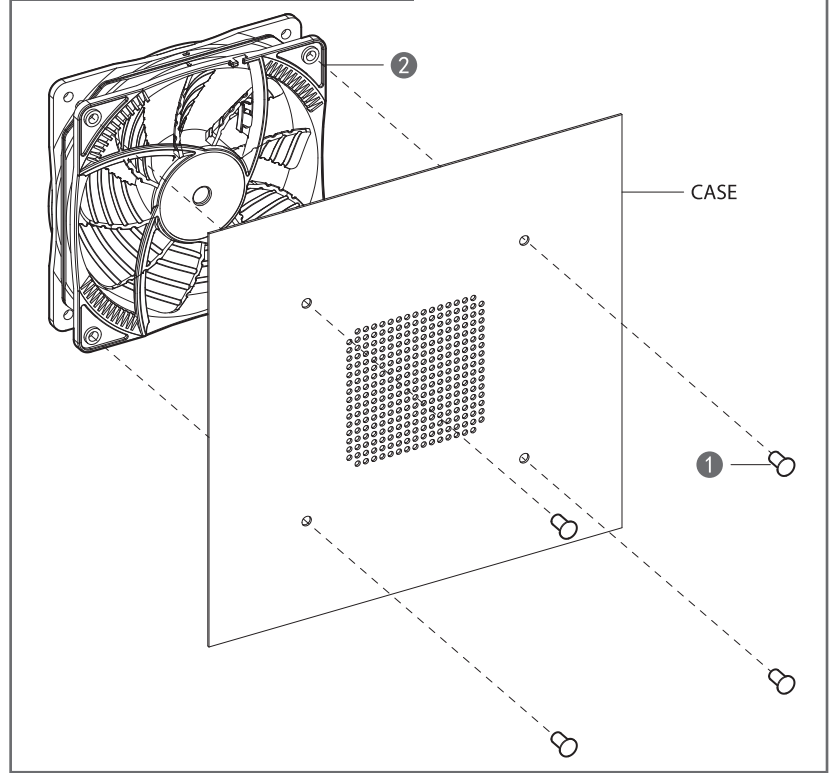
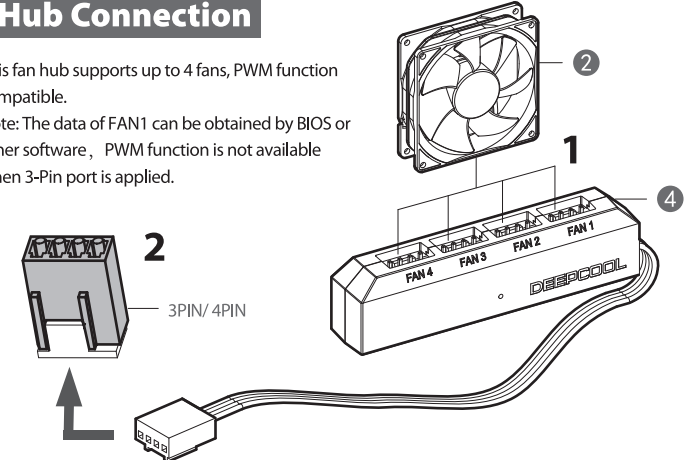


### Installation For Case Fan

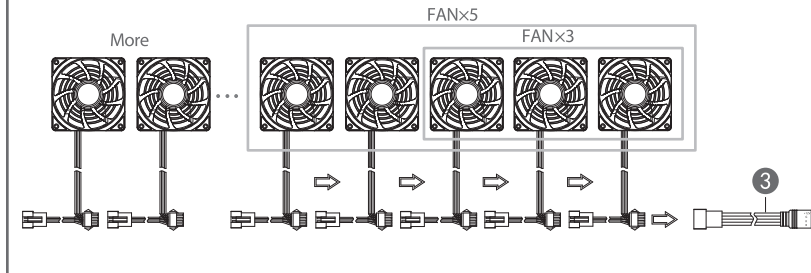


### Fan Hub Connection

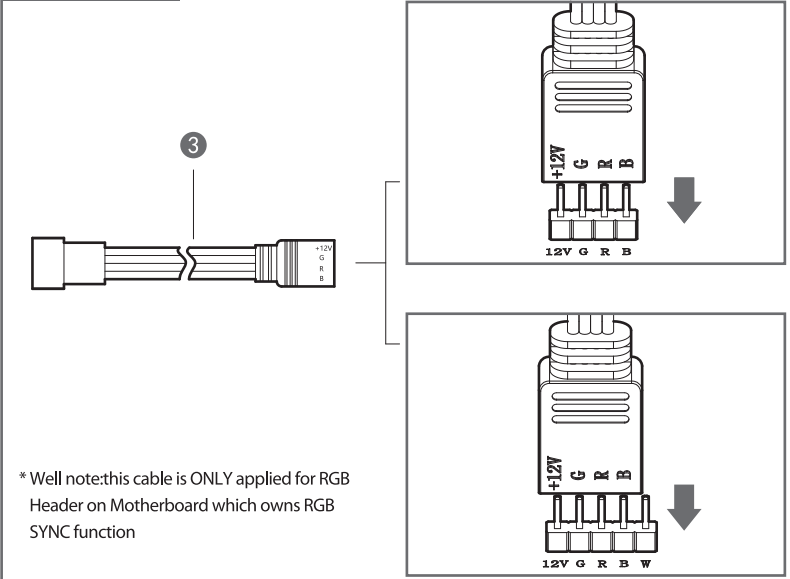
This fan hub supports up to 4 fans, PWM function compatible.  
Note: The data of FAN1 can be obtained by BIOS or other software, PWM function is not available when 3-Pin port is applied.



### RGB Light Connection



### RGB SYNC



\* Well note: this cable is ONLY applied for RGB Header on Motherboard which owns RGB SYNC function

Patent Pending  
Brands and designs are trademarks from Beijing Deepcool Industries Co., Ltd.  
Devices not included.  
All rights reserved.

Beijing Deepcool Industries Co., Ltd.  
www.deepcool.com  
MADE IN CHINA