



Fuel Filtration

Filter Dia. 76 MM (3.0") x M16-1.5



Flow Range: up to 30 gph / 114 lph

Operating Pressure

0-100 psi (690 kPa) without bowl

Temperature Range

-40° to 250°F (-40° to 121°C)

Flow Rate

Up to 30 gph / 114 lph

See table for filter flow rates

Fuel Compatibility

#1 or #2 Diesel, Kerosene, Biodiesel up to B20 and JP8

Mounting

Engine or Chassis

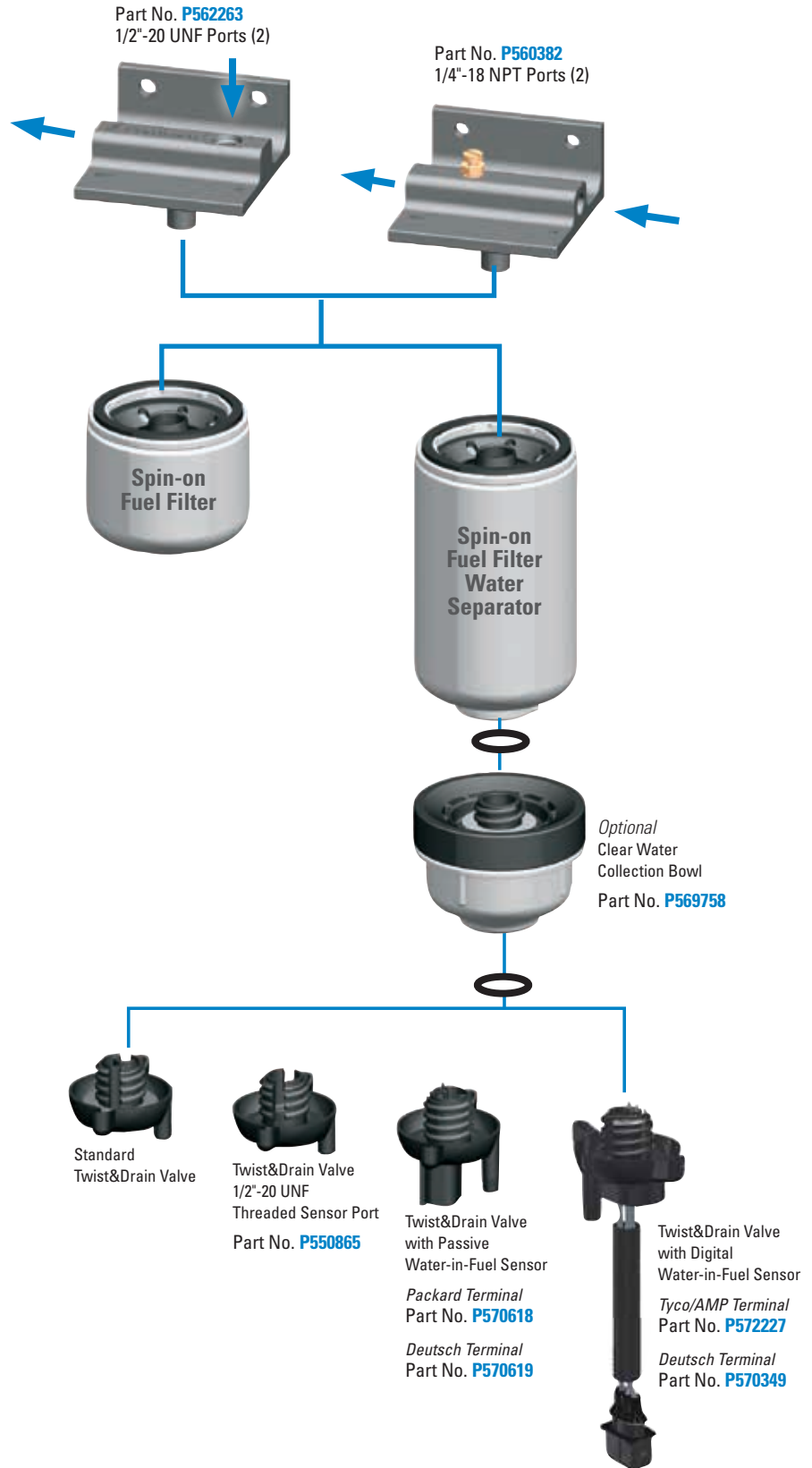
Water Removal @ Recommended Flow Rate

SAE J1488 Emulsified: 95% efficiency

SAE J1839 Free Water: 95% efficiency

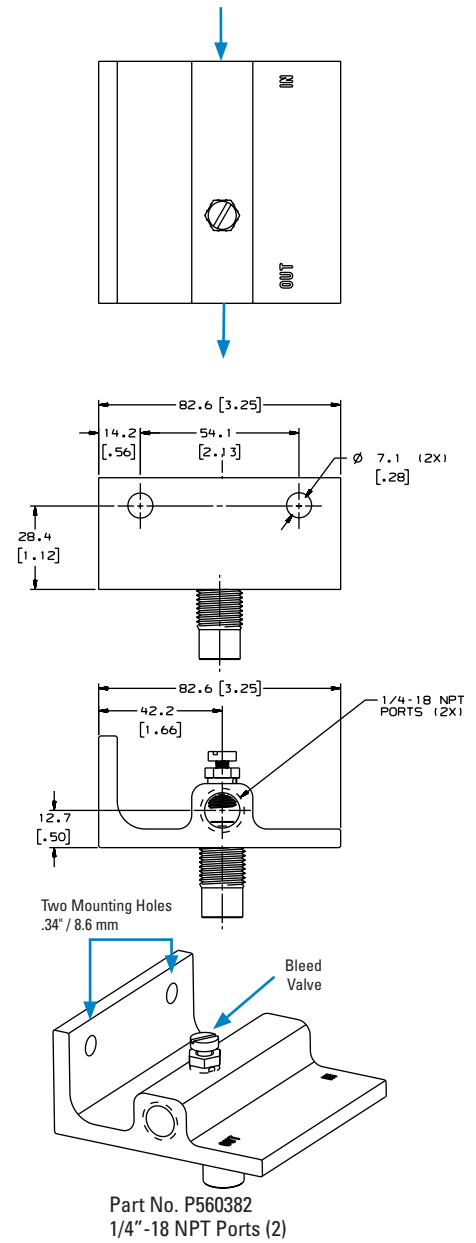
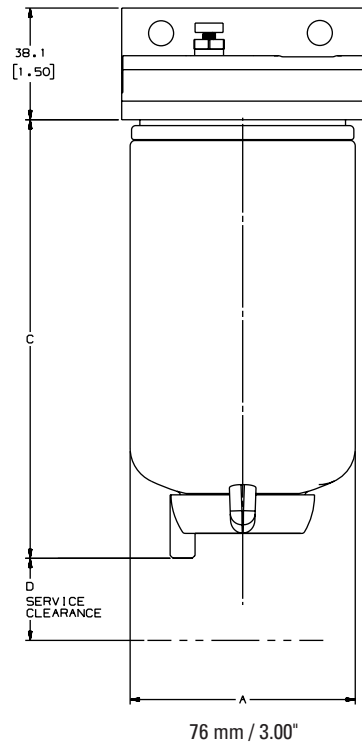
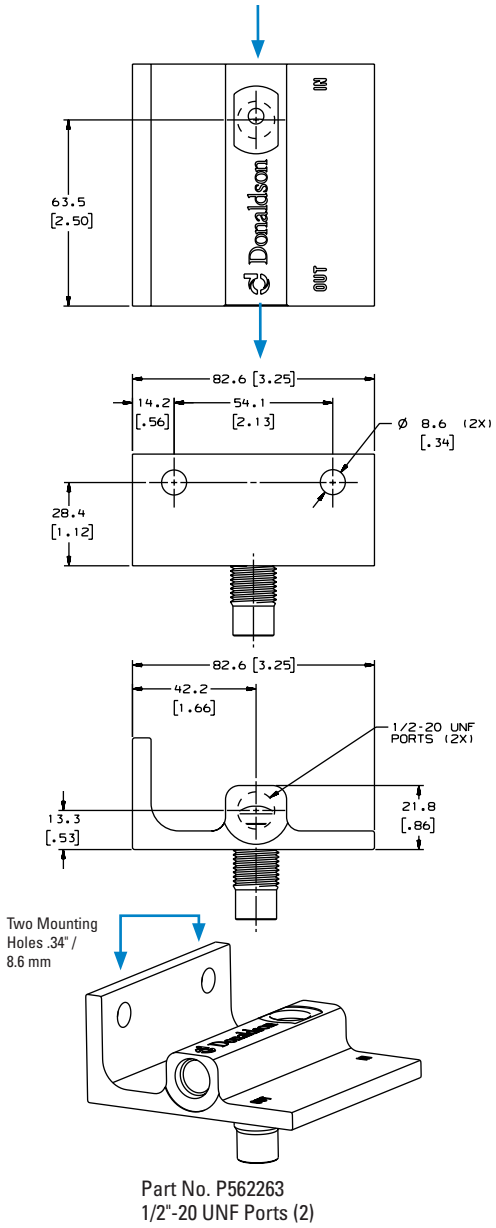
Air Bleed Vent

Bleed options available







Specification Illustrations





Filter Selection Chart

Filter Style	Max. Recommended Flow Rate		(C) Filter Length*		Media Type	Efficiency @ Micron	Stand Tube	Part Number	Performance Curve	(D) Service Clearance	
	gph	lph	in	mm						in	mm
 Standard Drain	15	57	4.01	102	Treated Cellulose	99% @ 15	No	P551039	B	.93	24
	30	114	5.81	148	Treated Cellulose	99% @ 11	No	P550588	C		
					Synteq	99% @ 3	No	P551615	N/A		
					Treated Cellulose	99% @ 15	Yes	P550248	C		
 No Drain	15	57	3.26	83	Cellulose	99% @ 16	No	P550345	B		
	25	95	4.72	120	Cellulose	99% @ 9	No	P555095	A		
					Cellulose	99% @ 16	Yes	P553004	C		
					Cellulose	99% @ 9	No	P550943	C		
30	114	4.72	120	Cellulose	99% @ 16	Yes	P550440	D			

* Water Collection Bowl (part no. P569758) adds 1.98" / 50 mm to filter length.

Performance Curves

