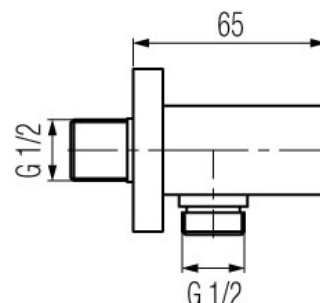
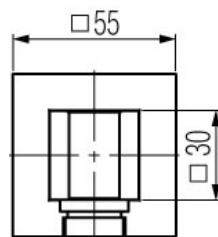


Series Kvadro Plus Black

Water inlet angle valve



Code	EAN13
2444620	5902273545477

Product usage:

For use in with cold and hot water systems in buildings

Type:

Water inlet angle valves

Guarantee:

2-year

Technical data/Operating parameters:Max pressure: 0,5 MPa,
Max temperature: 70°C**Used materials:**

brass

Finish:

matt black