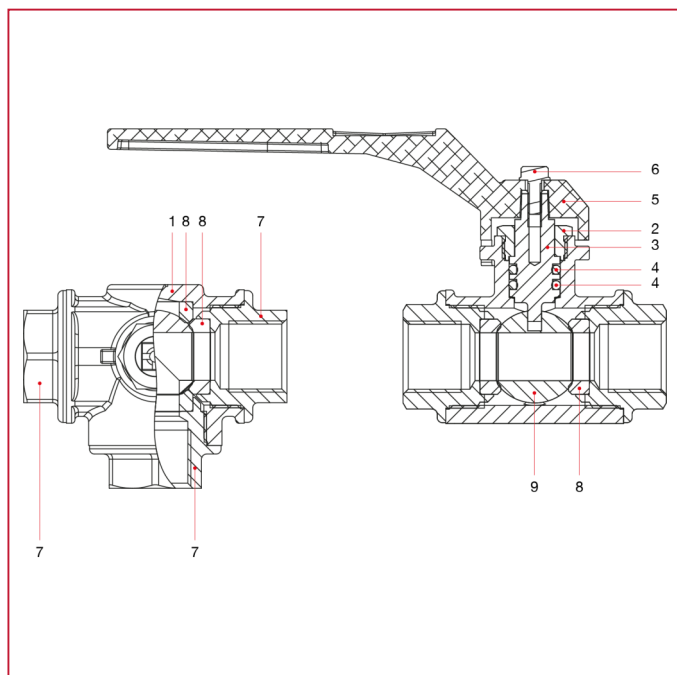




## 128 3-х проходной шаровый кран

### MATERIALS



N.	ОПИСАНИЕ	КО Л.	МАТЕРИАЛ
1	Body	1	Nickel-plated brass CW617N
2	Packing gland	1	Brass CW614N
3	Stem	1	Brass CW614N
4	O-ring	2	Viton®
5	Lever handel	1	Varnished aluminium
6	Screw	1	Zinc-plated steel
7	Female end adapter	3	Nickel-plated brass CW617N
8	Seat	4	P.T.F.E.
9	Ball	1	Chrome-plated brass CW617N