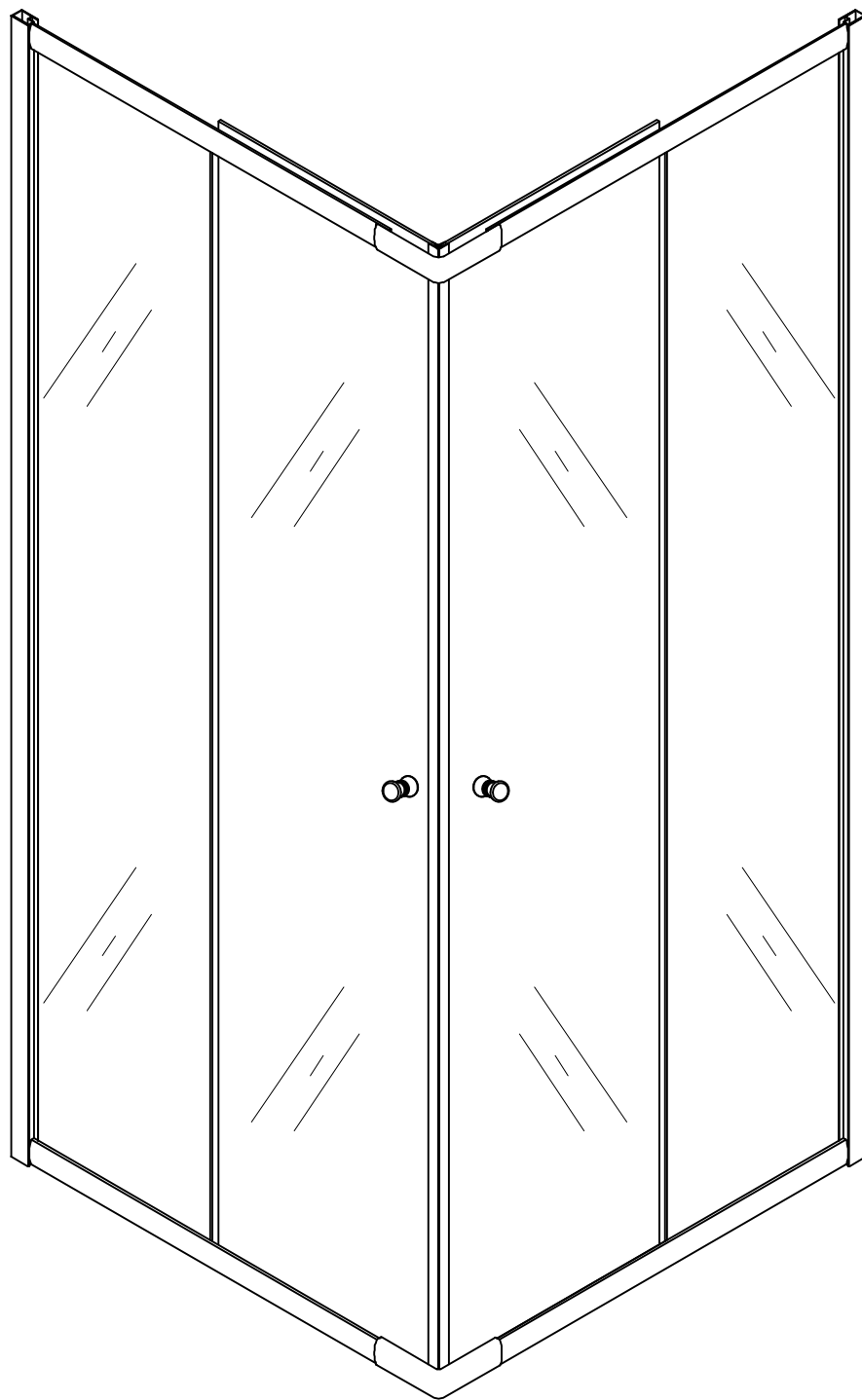
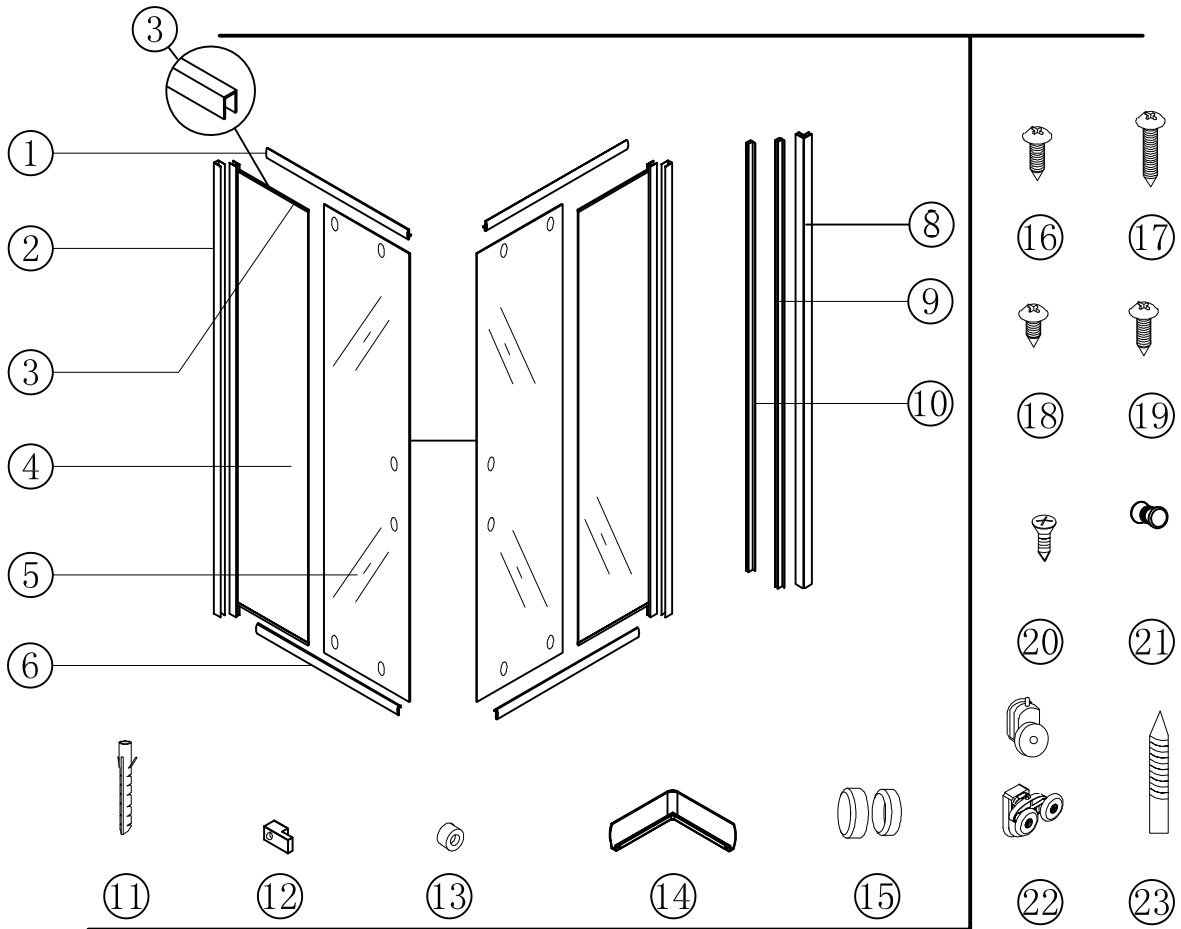


# Installation manual



# Installation manual



INSTALLATION ACCESSORIES LIST

NO.	NAME	QTY	UNIT	NO.	NAME	QTY	UNIT	NO.	NAME	QTY	UNIT
①		2		⑨		2		⑰	ST3. 8*30	6	
②		2		⑩		2		⑱	ST3. 5*6. 5	8	
③		4		⑪		6		⑲	ST3. 5*9. 5	8	
④		2		⑫		4		⑳	ST4*10	8	
⑤		2		⑬		8		㉑		2	
⑥		2		⑭		2		㉒		8	
				⑮		4		㉓	φ2. 5	1	
⑧		1		⑯	ST3. 5*30	8					

Tools for installation



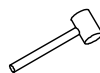
Ⓐ



Ⓑ



Ⓒ



Ⓓ

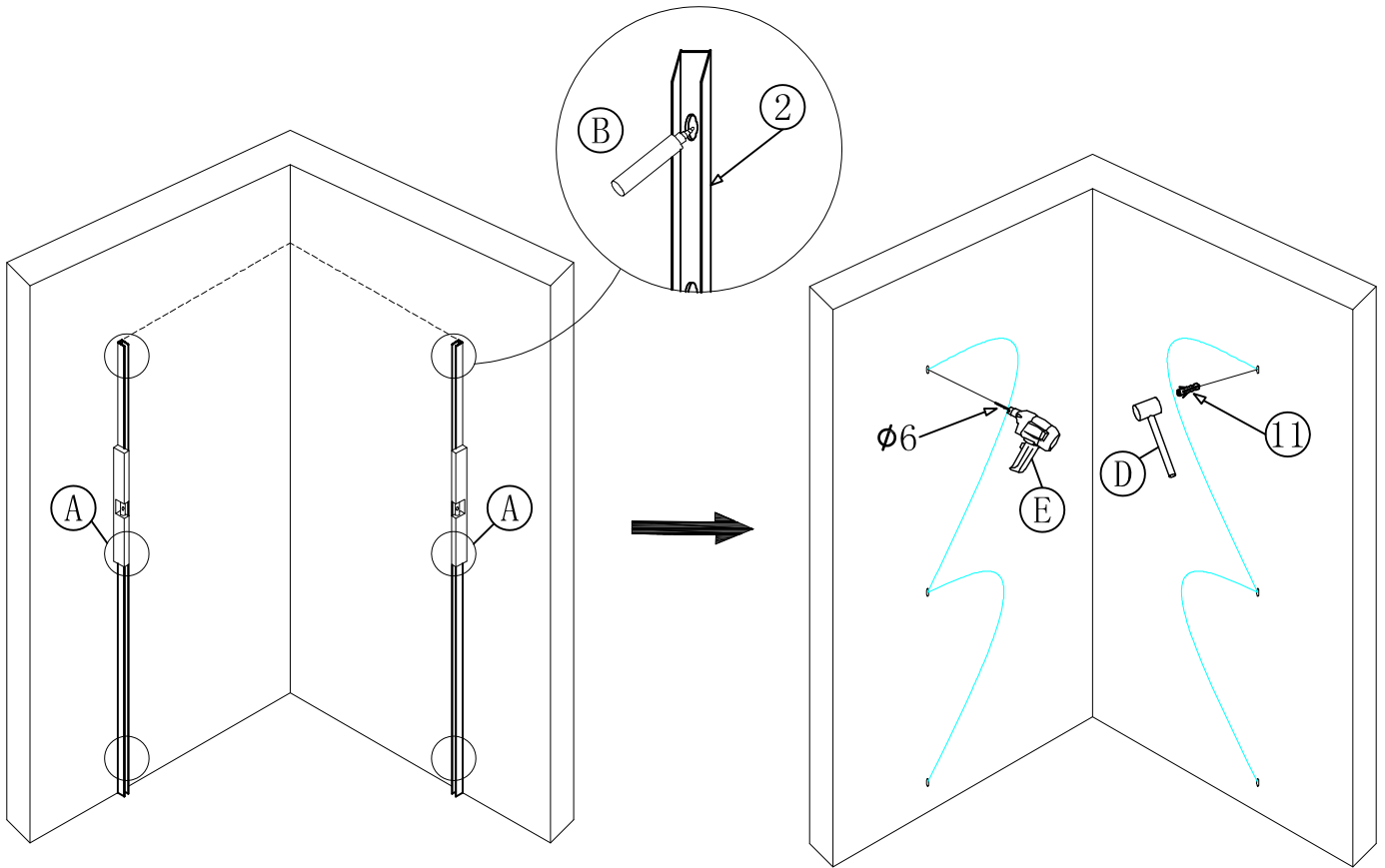


Ⓔ

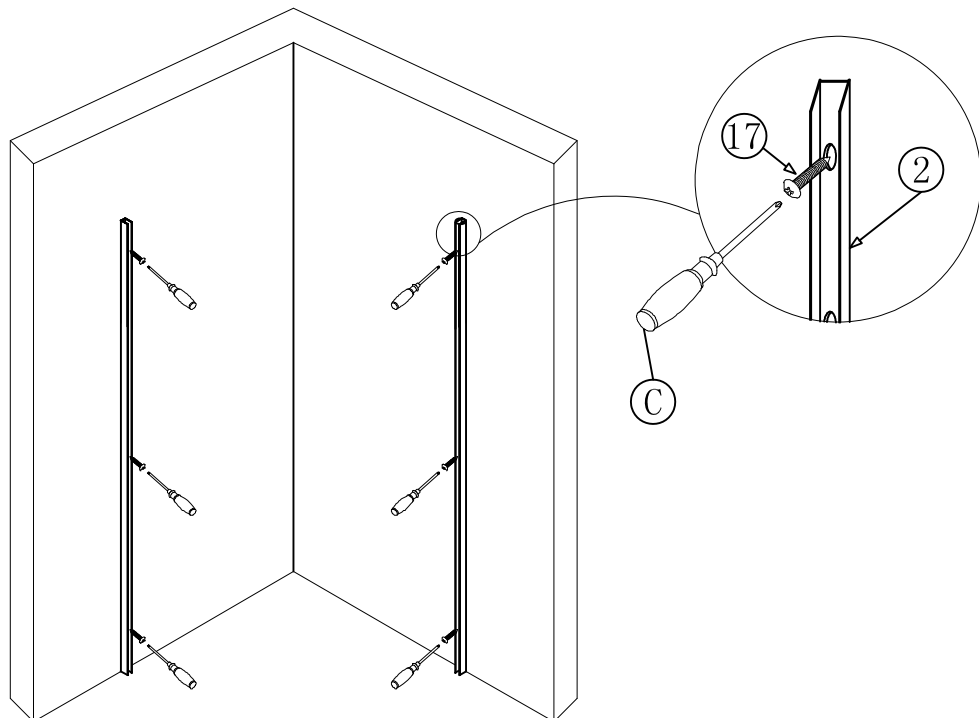


Ⓕ

Step 1:

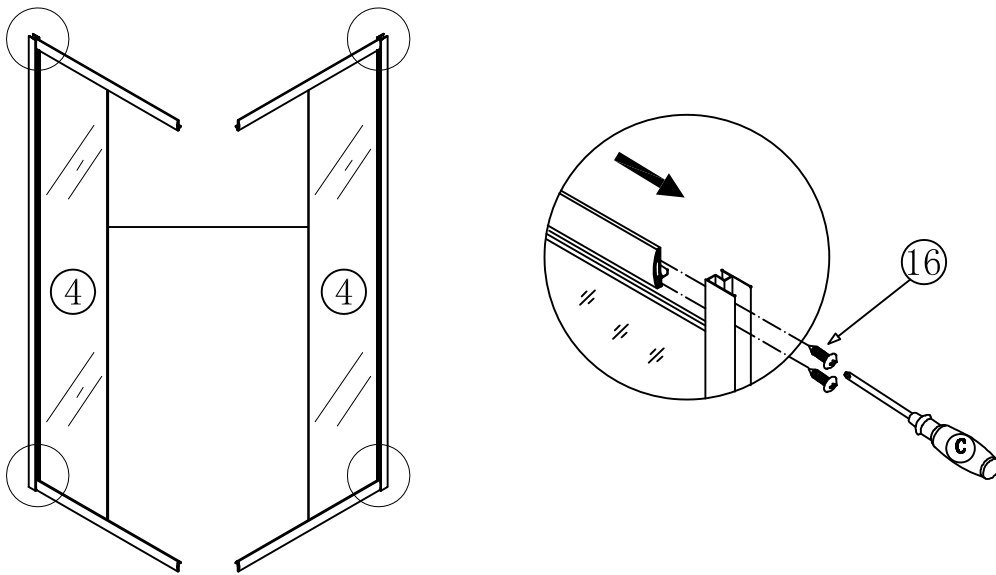


Step 2:



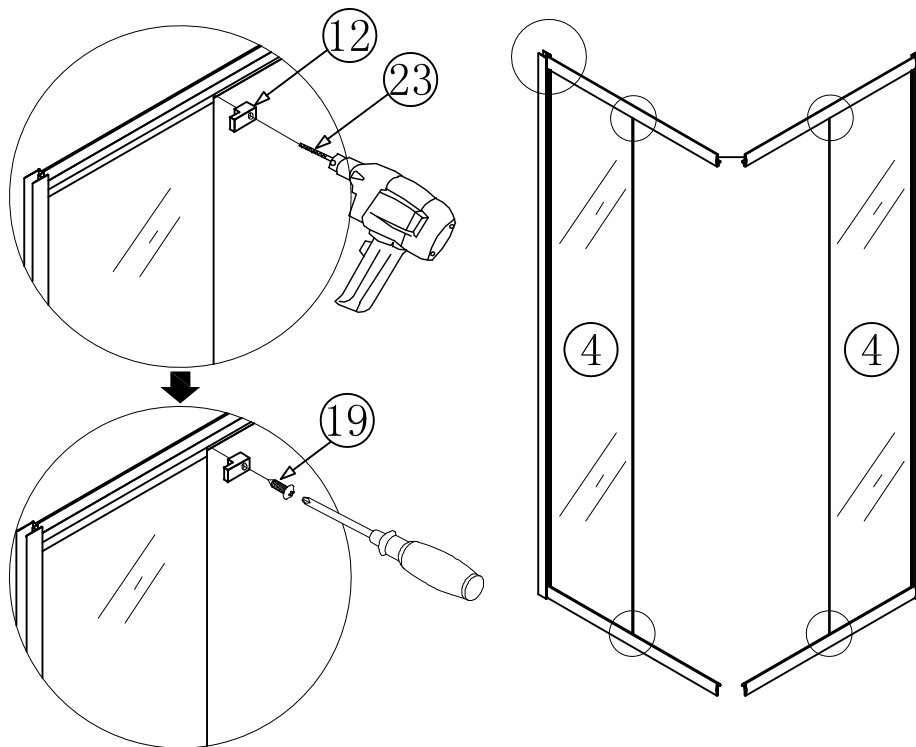
---

Step 3:



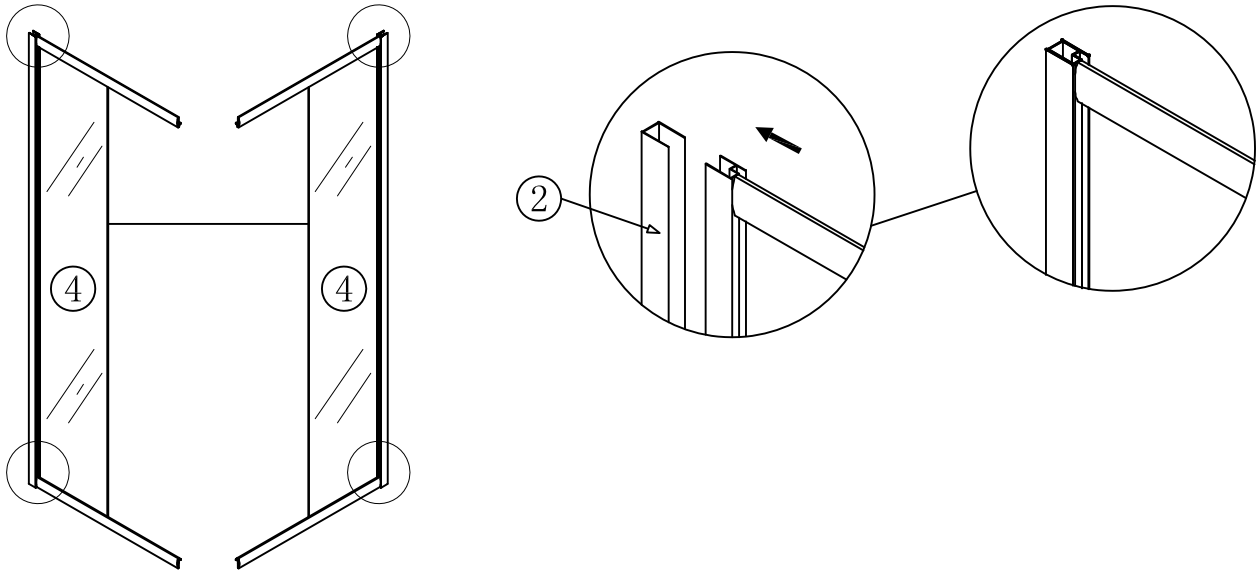
---

Step 4:



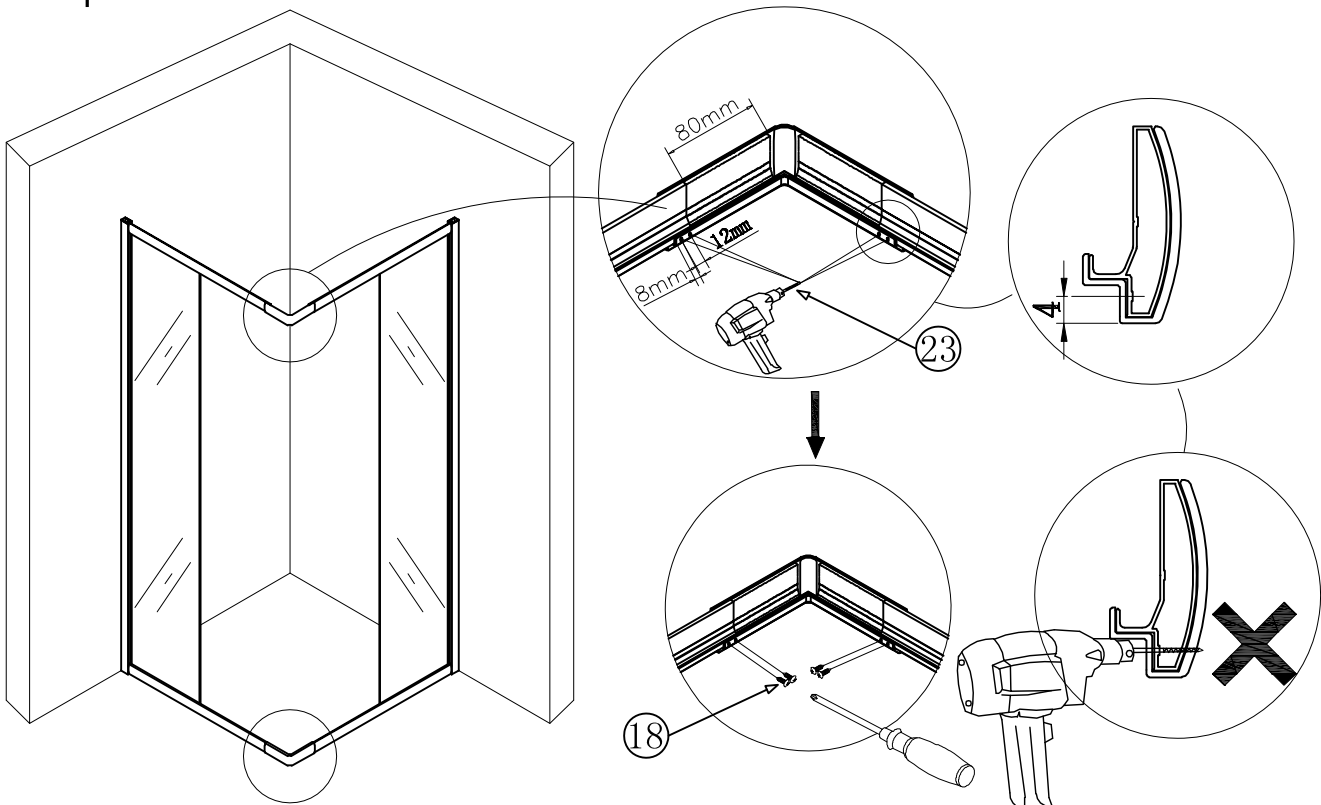
---

Step 5:

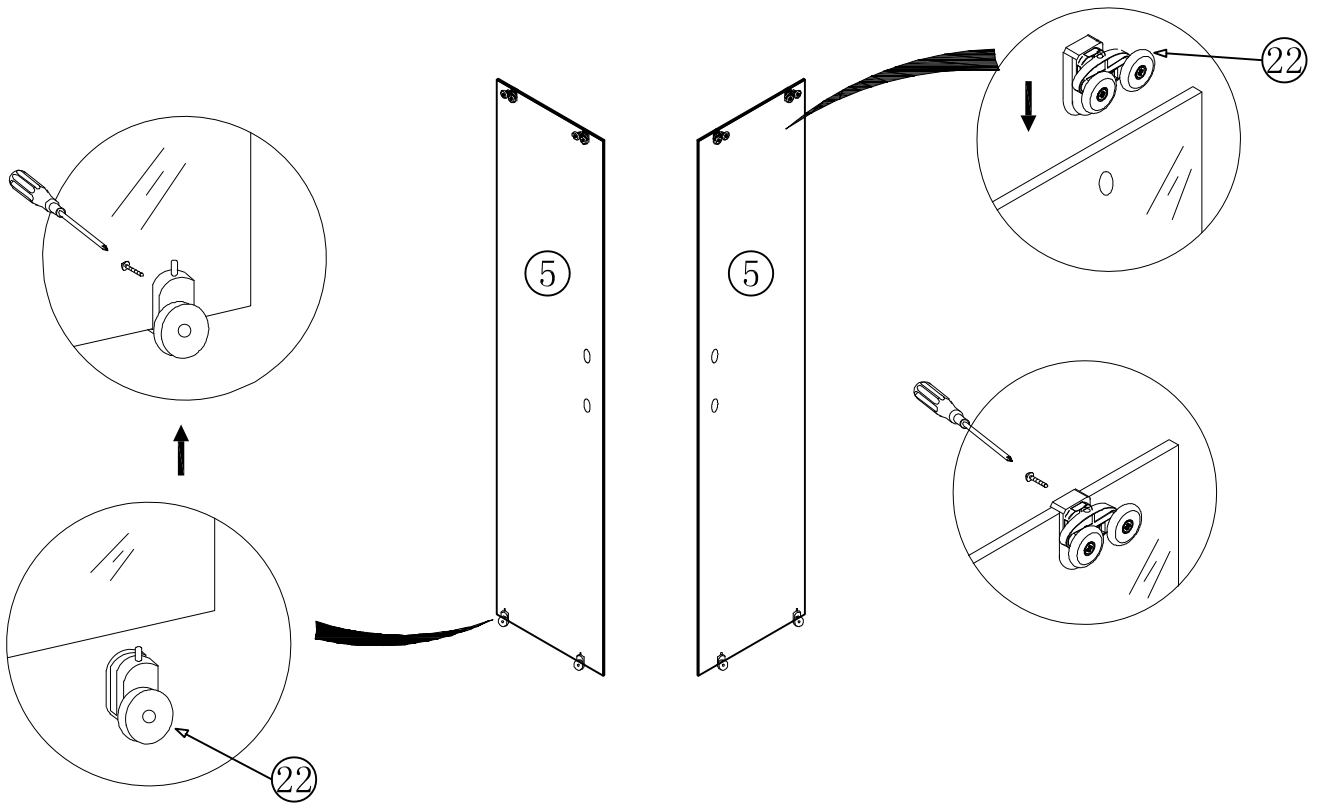


---

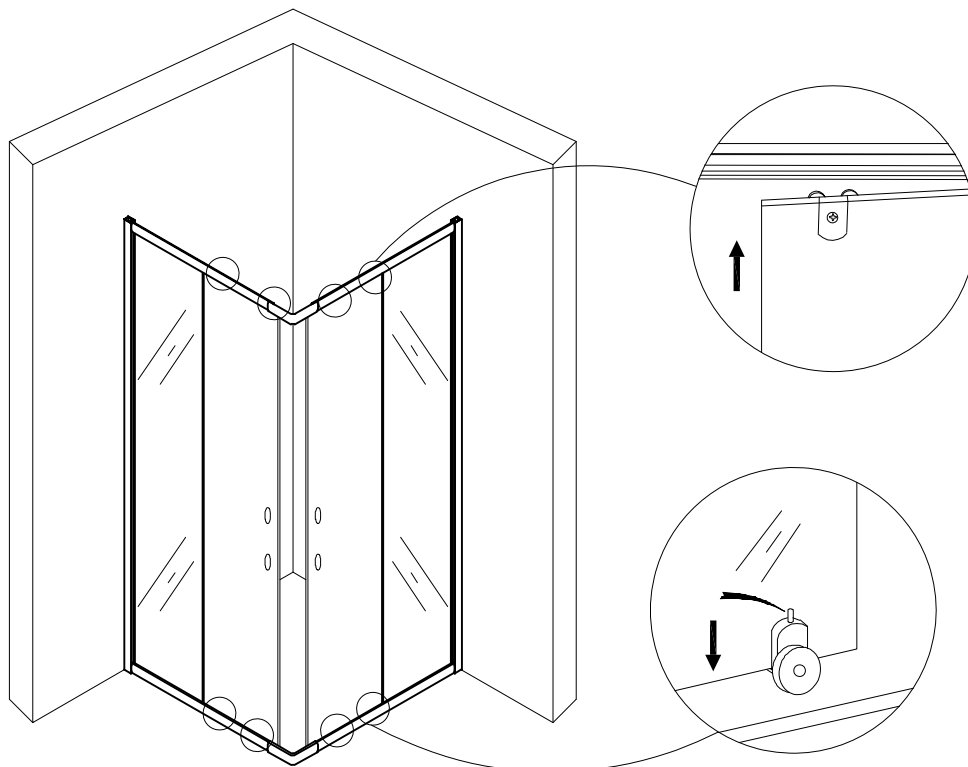
Step 6:



Step 7:

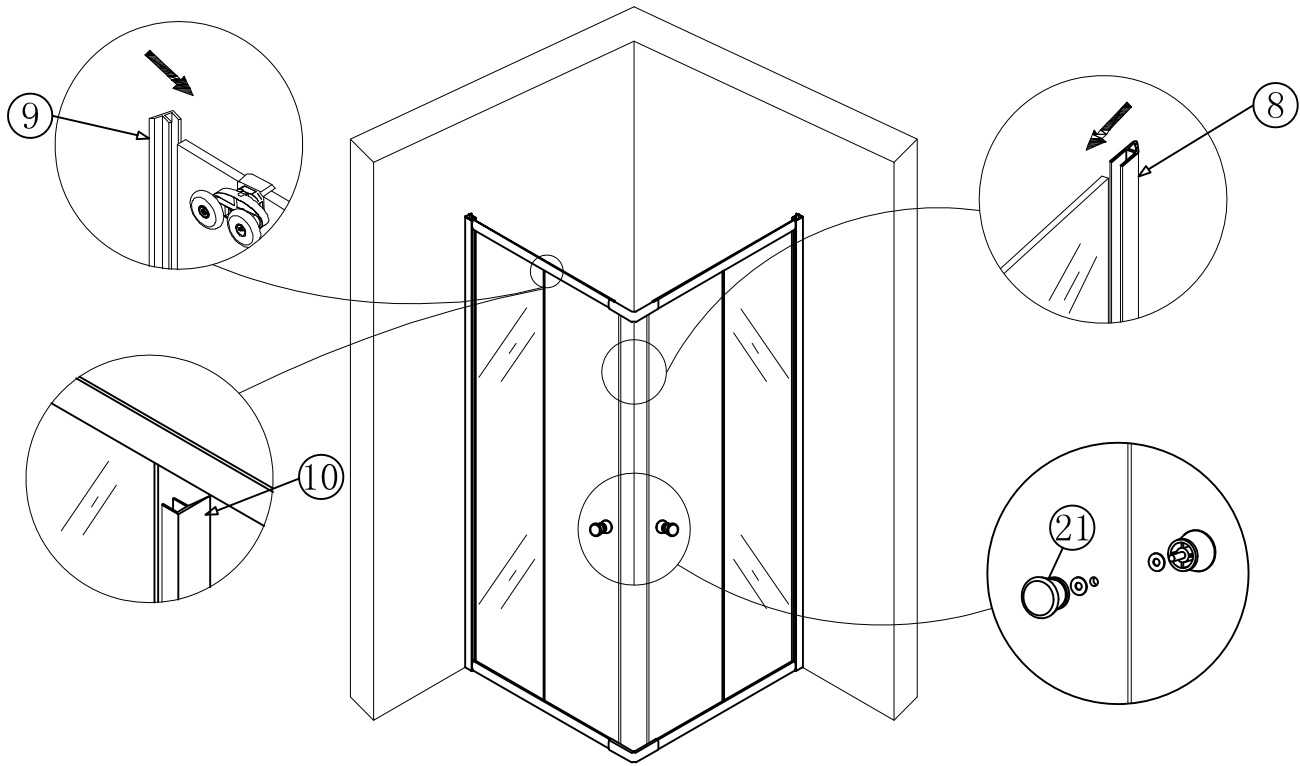


Step 8:



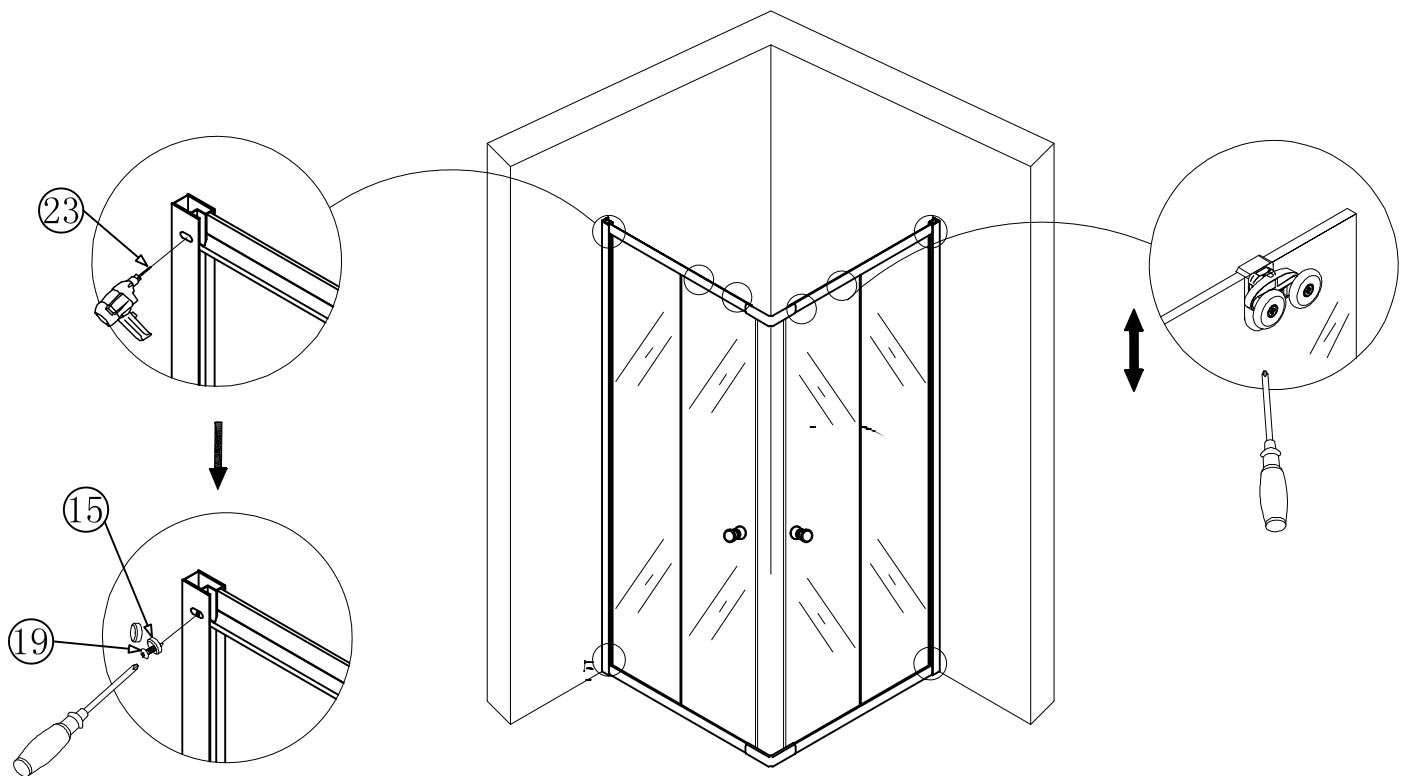
---

Step 9:



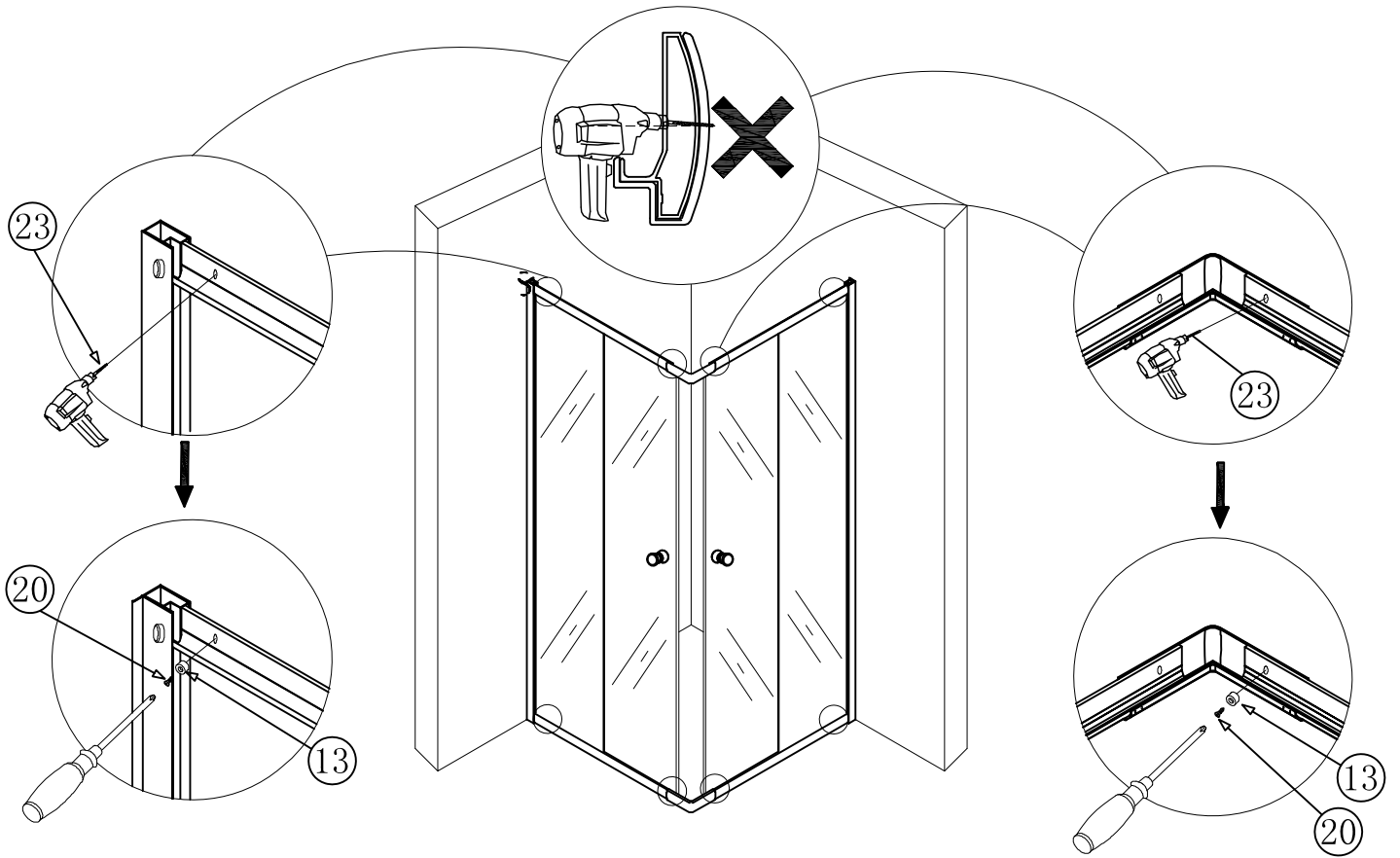
---

Step 10:



---

Step 11:



---

Step 12:

