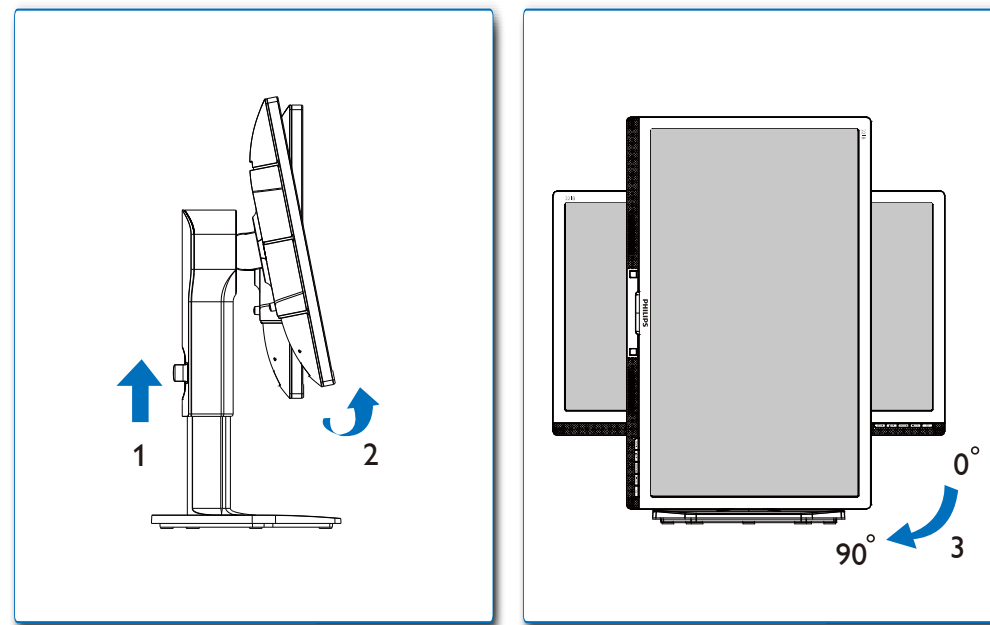
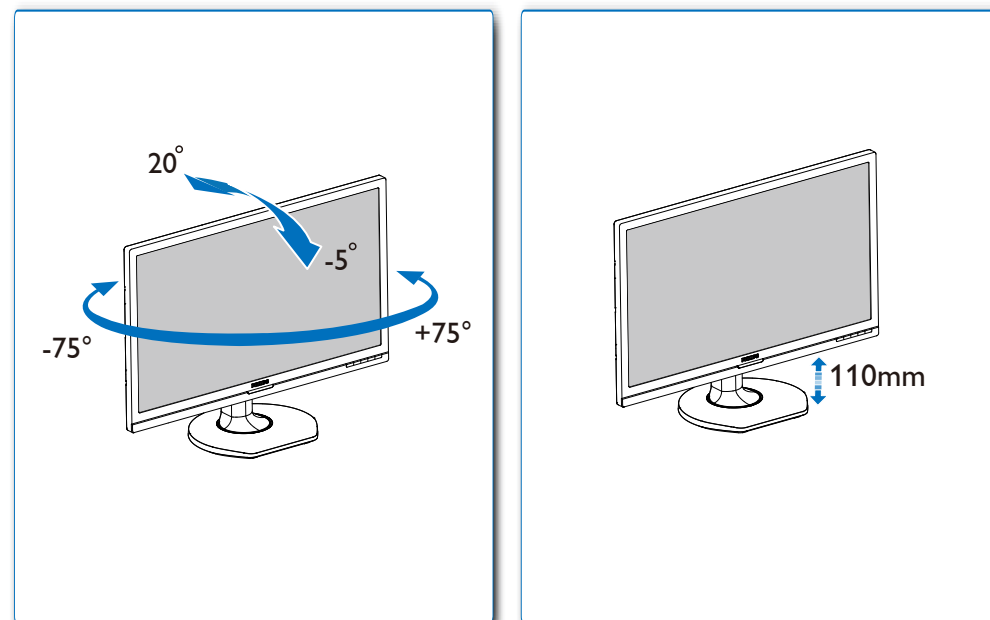


GRAPHIC DEVELOPMENT MMD	
Product name	221B6LCB-QSG
Project no.	
Finishing	Folded sheet
Scale	1:1
Size Spreads	594 (W) x 210 (H) mm
Size	148.5 (W) x 210 (H) mm
Operator(s)	
Date amended	Oct-28-2015
VERSION No.	13
APPROVAL	
QC Lithographer	
Product Manager	
Date Check	
ARTWORK DOCUMENT	
Paper	80gsm White, woodfree coated
Numbers of colours	2C&2C
Spotcolor	
Aftertreatment	
<input type="checkbox"/> Cropping	
<input type="checkbox"/> Coating	
<input type="checkbox"/> Varnishing	
<input type="checkbox"/> Embossing	
<input type="checkbox"/> Citterguide	
<input type="checkbox"/> Die-cut	
<input type="checkbox"/> Binding	
<input type="checkbox"/> Glue	

4



- ④ Need help?
Online help: www.philips.com/support
- ④ 需要帮助?
在线帮助: www.philips.com/support
- ④ Besoin d'Aide ?
Aide en ligne: www.philips.com/support
- ④ 도움이 필요하십니까?
온라인 도움말: www.philips.com/support
- ④ ¿Necesita ayuda?
Ayuda en línea: www.philips.com/support
- ④ ヘルプが必要ですか?
オンラインヘルプ: www.philips.com/support
- ④ Benötigen Sie Hilfe?
Online-Hilfe: www.philips.com/support
- ④ Yardım mı ihtiyacınız var?
Online yardım: www.philips.com/support
- ④ Avete bisogno di aiuto?
Guida in linea: www.philips.com/support
- ④ Precisa de ajuda?
Ajuda online: www.philips.com/support
- ④ Потребуєте допомоги?
Підтримка он-лайн: www.philips.com/support
- ④ मदद चाहिए?
ऑनलाइन मदद: www.philips.com/support
- ④ Нужна помощь?
Интерактивная справка: www.philips.com/support
- ④ هل تريد المساعدة?
www.philips.com/support للمساعدة عبر الانترنت

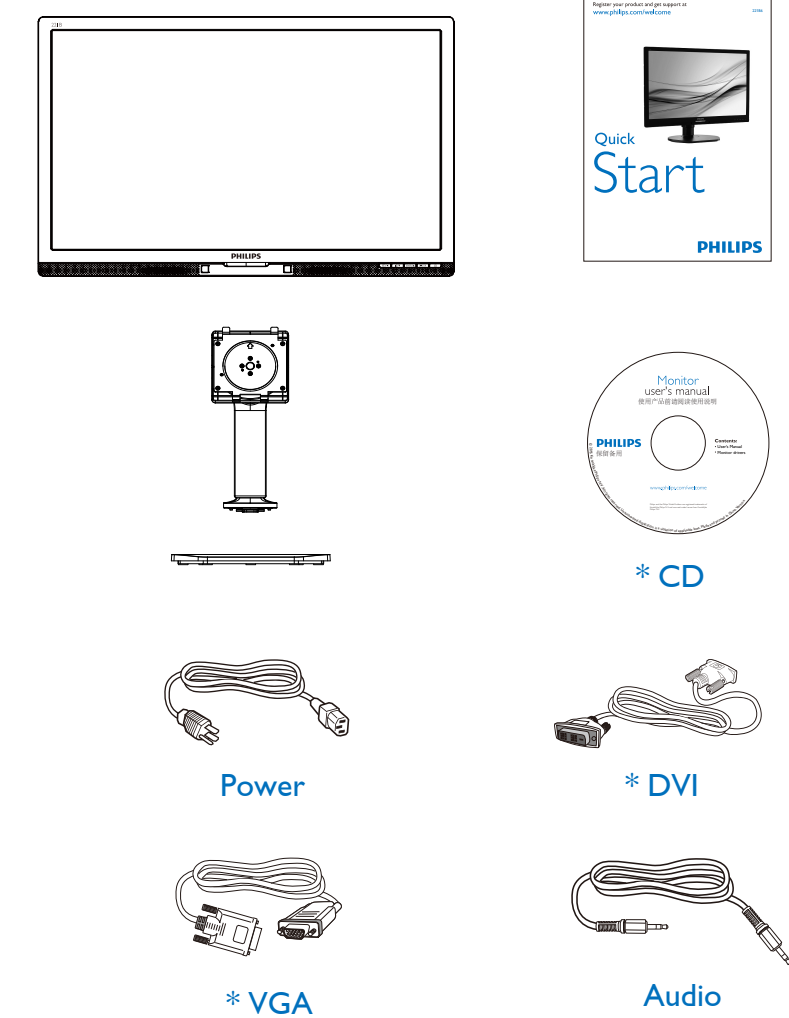
Version: M6221BLQ1T
© 2015 Koninklijke Philips N.V. All rights reserved.
Specifications are subject to change without notice.
Philips and the Philips Shield Emblem are registered trademarks of Koninklijke Philips N.V. and are used under license from Koninklijke Philips N.V.
www.philips.com



Register your product and get support at
www.philips.com/welcome

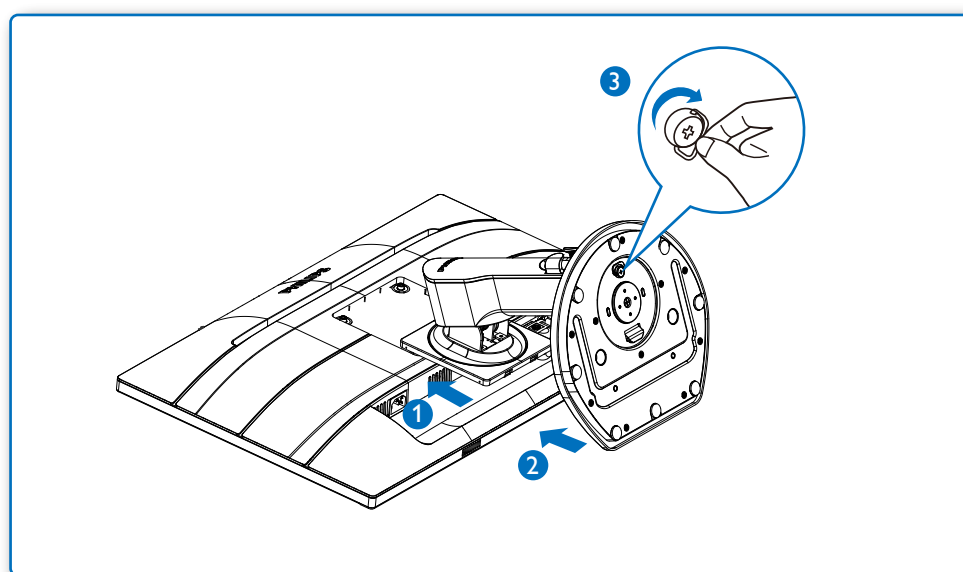
221B6

Quick Start

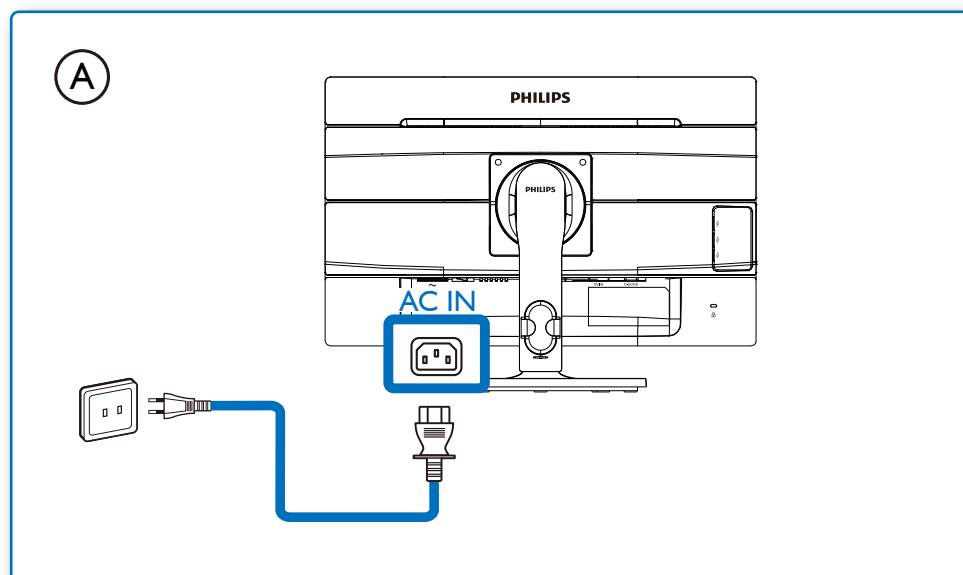


* Different according to region.
Display design may differ from that illustrated.

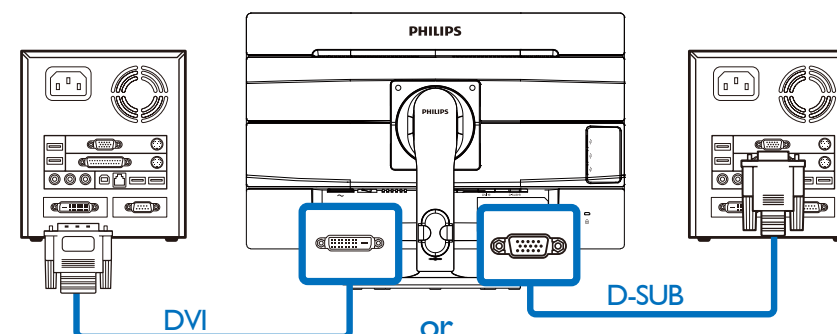
1



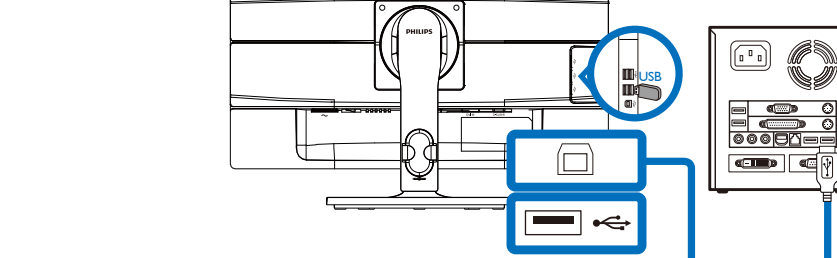
2



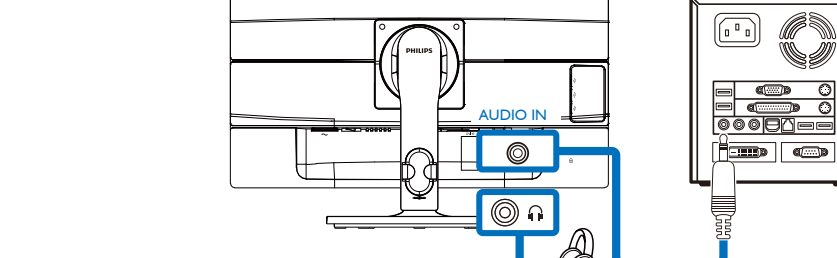
B



C



D



3

